

NIOSH ALERT

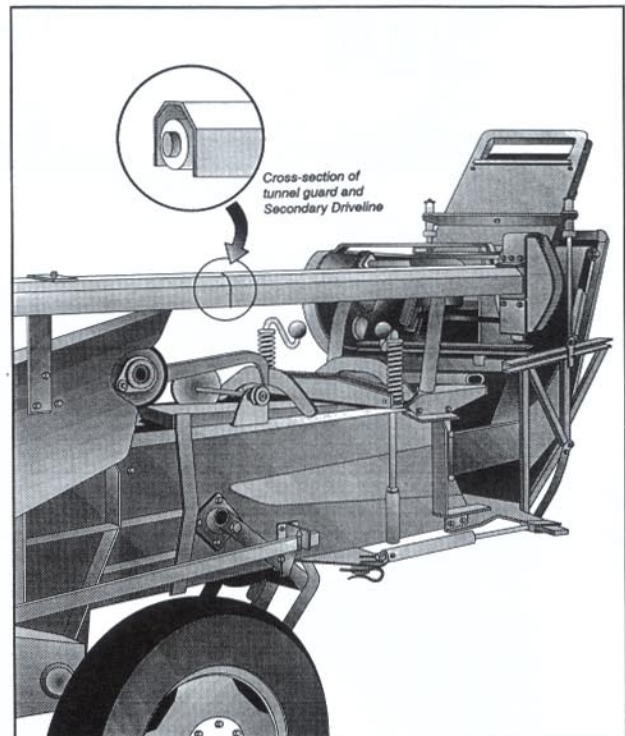
Preventing Scalping and Other Severe Injuries from Farm Machinery

WARNING!

Farm workers are at high risk of scalping and other severe injuries when they work near farm machinery with inadequately guarded drivelines or shafts driven by power take-offs (PTOs).

Many farm workers are injured or killed each year when their hair, clothing, or body parts become entangled around rotating drivelines or shafts driven by power take-offs (PTOs). Entanglement in farm machinery can result in scalplings, amputations, and death. Take the following steps to protect yourself and others when working near PTO-driven farm machinery:

- Identify all PTO-driven equipment components (such as drivelines, drive chains, or gears) on all farm machinery.
 - Examine all PTO-driven farm machinery for U-shaped tunnel guards and replace them with retrofit guards recommended by the manufacturer or dealer.
 - Always disengage the PTO and turn off the tractor ignition before leaving the tractor seat and approaching the driveline.
 - Do not perform maintenance or adjustments until both the driveline and the machinery have completely stopped moving.
 - Warn anyone who might come near an operating PTO about the entanglement hazard.
 - Instruct all farm family children and untrained adolescents never to approach, operate, or perform maintenance on PTO-driven farm machinery.
 - Follow the manufacturer's instructions whenever maintenance or adjustments are performed on any farm machinery.
 - Do not wear loose-fitting clothing or jewelry near operating farm machinery.
- Tie back or otherwise secure loose hair, but be aware that even short or tied-back hair may become entangled in moving equipment.
 - Maintain machine guarding according to the manufacturer's most current specifications and OSHA regulations [29 CFR 1928.57] (see *NIOSH Alert: Request for Assistance in Preventing Scalping and Other Severe Injuries from Farm Machinery*).
 - Check periodically with manufacturers, dealers, and county extension agents for updated information about retrofit guards for PTOs.



Hay baler equipped with U-shaped tunnel guard.

For additional information, see *NIOSH Alert: Request for Assistance in Preventing Scalping and Other Severe Injuries from Farm Machinery* [DHHS (NIOSH) 94-105], or call 1-800-35-NIOSH. Single copies of the Alert are available free from the following:

**Publications Dissemination, DSDTT
National Institute for Occupational Safety and Health
4676 Columbia Parkway
Cincinnati, OH 45226
Fax number: (513) 533-8573**



**U.S. Department of Health and Human Services
Public Health Service
Centers for Disease Control and Prevention
National Institute for Occupational Safety and Health**