

A Closer Look

Wood Science

YANR-7a

ALABAMA COOPERATIVE EXTENSION SYSTEM / ALABAMA A&M AND AUBURN UNIVERSITIES ALABAMA 36849-5612

4-H Woodworking Exhibit Plan

A Bluebird House

Materials Needed

1" x 6" pine or spruce stock 5 feet long

4d 1½" galvanized box nails

Stain

Varnish

Tools Needed

Handsaw

Drill

Fine grit sandpaper

Small paintbrush

How to Make a Birdhouse

1. Measure and cut the back of the birdhouse 14" long.
2. Measure and cut the two sides of the birdhouse as illustrated in Figure 1.
3. Measure and cut the top of the birdhouse 8½" long.
4. Nail the sides of the birdhouse to the back making sure the long end of the side pieces are flush with

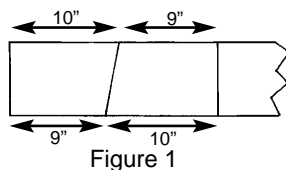


Figure 1

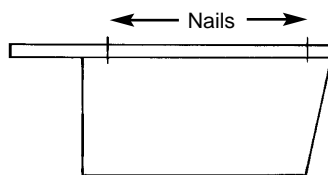


Figure 2

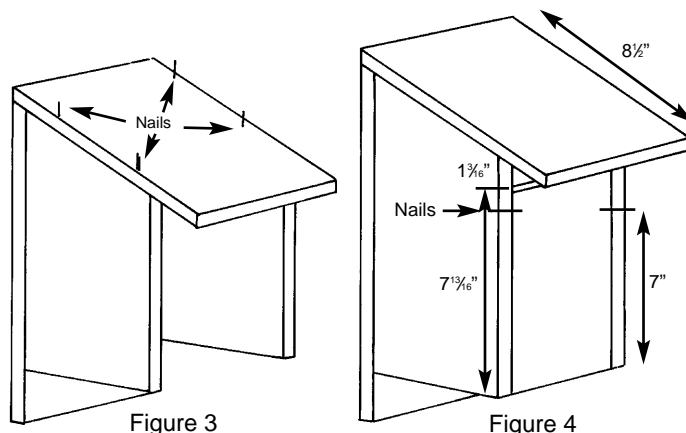
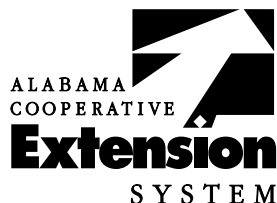


Figure 3

Figure 4

the end of the back (Figure 2). Make sure you pre-drill the nail holes.

5. Nail the top in place as illustrated in Figure 3. Make sure you pre-drill the nail holes.
6. Measure and cut a piece of stock 7¹³/₁₆" long. Rip the piece to the exact width inside the front of the sides. This is the door.
7. Making sure the bottom of the door is flush with the bottom of the sides, place one nail in each side 7" from the bottom (Figure 4). Make sure you pre-drill the nail holes.
8. Measure and cut the bottom to fit flush on the inside of the back, sides, and door. Secure the bottom by placing one nail through each side and one nail through the back of the birdhouse. Make sure you pre-drill the nail holes.
9. Apply stain and varnish.



YANR-7a

Bob Drakeford, *Extension Specialist*, Volunteer Programs, Auburn University. Originally designed by **Henry Dorough**, *County Extension Agent*, Talladega County. Approved by state 4-H Wood Science Committee—Roger Vines, Chairman, Thomas Futral, Henry Dorough, and Chip East.

Issued in furtherance of Cooperative Extension work in agriculture and home economics, Acts of May 8 and June 30, 1914, and other related acts, in cooperation with the U.S. Department of Agriculture. The Alabama Cooperative Extension System (Alabama A&M University and Auburn University) offers educational programs, materials, and equal opportunity employment to all people without regard to race, color, national origin, religion, sex, age, veteran status, or disability.

Web Only, Revised July 2000, YANR-7a



