

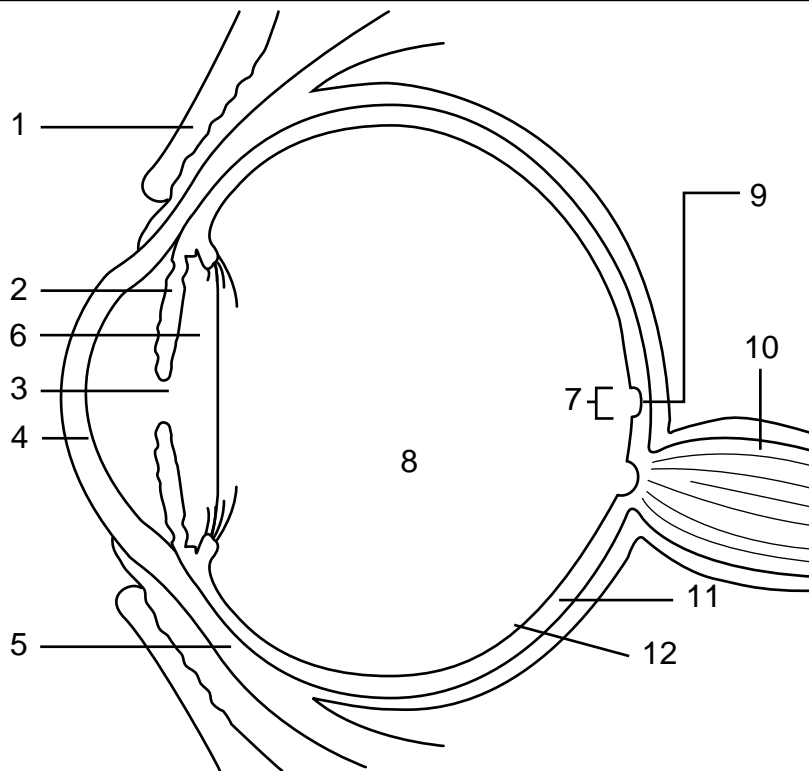


Scramble and Word Search

Scramble

Unscramble the parts of the eye listed below. *Hint:* The location of each is shown on the diagram.

1. dyelie _____
2. siir _____
3. lpuiP _____
4. onarce _____
5. rsleca _____
6. nesl _____
7. aclamu _____
8. stivorue mhuro _____
9. ovafe _____
10. pocit verne _____
11. drohcio _____
12. tranie _____



Photocopy from original for best quality.

WORD SEARCH

Can you find these hidden words?

- IRIS
- EYE
- RETINA
- LENS
- CORNEA
- MACULA
- PUPIL
- CELL
- NERVE

R A C L I N E R V E
 E E Y E Y T E A O Y
 R E T N E A C A C C
 P U P I L U E C L O
 N E S R N Y N O E R
 A P I I V A R T N N
 E I E S P A N Y S E
 M E I V A N I T E A
 E A S U O E R T I V
 T E C R A C U L A P
 O D D U T I E S D A
 F L E N L L D L N S
 D O R V E A M A L E



Eye-Opening Facts

History Tells Us...

▲ Abraham Lincoln was farsighted and had a “lazy eye.” His first pair of eye-glasses cost about 38 cents.