

RUS Bulletin 1724E-205 Viewing Instructions

There are both bookmarks and links imbedded in this file.

Browsing with bookmarks

Bookmarks mark parts of a document for quick access.

To jump to a topic by using its bookmark:

1. The bookmarks are shown on the left side of the screen. If a triangle appears to the left of the bookmark, click the triangle to show or hide subordinate bookmarks.
2. To go to the destination specified by a bookmark, click the bookmark text or double-click the page icon to the left of the bookmark name.

Following links

The various indices in this bulletin use links to allow the user to quickly go to the desired drawing.

To follow a link:

1. Move the pointer over a linked area. The pointer changes to a pointing finger when positioned over a link.
2. Click to follow the link.

General information:

You can use the buttons at the top of the screen for going from page to page. Also, by right-clicking your mouse, you will see a navigation box. For details, please see the Acrobat Reader help screens.

UNITED STATES DEPARTMENT OF AGRICULTURE
Rural Utilities Service

RUS BULLETIN 1724E-205

SUBJECT: Design Guide: Embedment Depths for Concrete and Steel Poles

TO: All Electric Borrowers

EFFECTIVE DATE: Date of Approval

EXPIRATION DATE: Seven years from effective date

OFFICE OF PRIMARY INTEREST: Transmission Branch, Electric Staff Division

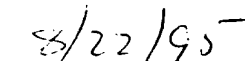
PREVIOUS INSTRUCTIONS: None

FILING INSTRUCTIONS: New bulletin. File with 1724.

PURPOSE: This bulletin provides engineering information concerning selection of embedment depths for steel and concrete transmission poles subject to large overturning moments.



Administrator



Date

TABLE OF CONTENTS

	Page
1. Introduction.....	3
2. Discussion of the Design Methods.....	3
3. Embedment Charts.....	9
4. Suggested Procedure for Using the Charts and Determining Embedment Depths.....	18
5. Pole Analysis and Foundation Design Examples.....	19
Appendix A: References.....	24
Appendix B: Background Information, Embedment Calculation Overview Table, Abstract of Hansen Method.....	25
Appendix C: Soil Properties Correlation.....	43
Appendix D: Conversion Table.....	44

INDEX:

- DESIGN, SYSTEM:
 - Embedment Depths for Concrete and Steel Poles
- POLES:
 - Embedment Depths

ABBREVIATIONS

- ACSR - Aluminum conductor, steel reinforced
- Mph - Miles per hour
- NESC - National Electrical Safety Code
- OCF - Overload capacity factor
- OHGW - Overhead ground wire
- RBS - Rated breaking strength
- RUS - Rural Utilities Service

SYMBOLS

- | | |
|---|--|
| C - cohesion, psi, ksf | n - blow counts, blows/ft. |
| K - subgrade modulus at bottom
of pole, $n_h D$, psi | n_h - constant of horizontal
subgrade modulus lb/in ³ |
| K_c^D - earth pressure coefficient
for cohesion | P - horizontal force, lb., kips |
| K_q^D - earth pressure coefficients
for overburden pressure | p_D - resultant pressure per
unit front area on the
embedded pole, psf |
| d - diameter of the pole, in., ft. | q - effective overburden
pressure |
| D - depth, ft. | Y_g - deflection at the
groundline, in., ft. |
| D_d - depth of dry soil, ft. | γ - unit weight of the soil,
pcf |
| D_e - embedment depth of pole, ft. | γ' - submerged unit weight of
the soil, pcf |
| D_s - depth of submerged soil
from water table to pole
butt, ft. | ϕ - internal friction angle,
radians, deg |
| D_r - depth from groundline to
point of rotation of a
rigid pile, ft. | |
| M - moment, ft-kips, ft-lb,
in-lb | |

1. INTRODUCTION

1.1 Purpose: Increasing use of steel and concrete poles has necessitated a more definitive method of determining pole embedment depths. The primary purpose of this bulletin is to furnish engineering information concerning selection of embedment depths for steel and concrete poles in different types of soils. The information in this bulletin may be used to approximate embedment depths for cost estimates, to make preliminary selection of embedment depths, and to verify or check selection of embedment depths based on other or more exact methods.

Several computer programs exist for determining embedment depths for steel and concrete poles. Such programs may provide a more efficient selection of embedment depths in preliminary design and their use should be considered in any final design.

1.2 Scope: The engineering information in this bulletin is for use in preliminary selection of embedment depths for steel and concrete transmission poles sustaining relatively large overturning moments. The Rural Utilities Service (RUS) reviewed several methods of evaluating and approximating embedment depth requirements. As a result of this review, embedment charts have been developed for nine typical soil types. Sample calculations illustrating the use of these charts and illustrating the use of design methods for those occasions when the charts cannot be used, are also provided.

Since the RUS program is national in scope, it is necessary that designs be adaptable to various conditions and local requirements. In the design and selection of embedment depths the engineer should consider soil conditions, performance of existing embedded pole lines, local environmental conditions, and other pertinent factors, such as foundation movement and duration of loads.

A comparison of several techniques for determining embedment depths, groundline deflection and rotation were made. A brief discussion comparing the different design methods is included in Appendix B. As a result of this study, the Hansen method was selected for developing the embedment charts.

2. DISCUSSION OF DESIGN METHODS

2.1 Lateral Resistance Using the Hansen Method: The advantage of the Hansen method is that it provides for foundation design and embedment evaluation in stratified soils. This may be an important consideration for soil formations with a relatively poor layer near the ground surface since the analysis permits utilization of the greater strength of the deeper soils without overstating the strength of the surface soils.

The following method of analysis was developed by Brinch Hansen and presented in the article, "The Ultimate Resistance of Rigid Piles Against Transversal Forces," Bulletin No. 12, The Danish Geotechnical Institute, Copenhagen, 1961.

A prerequisite to using the Hansen method to compute the ultimate lateral resistance is a knowledge of the different types and depths of soils underlying the site. The density γ , submerged density γ' , angle of internal friction ϕ , and cohesion "C" for each major soil type must be determined by test or estimated. The depth to the ground water table must be known if it is located above the bottom of the footing.

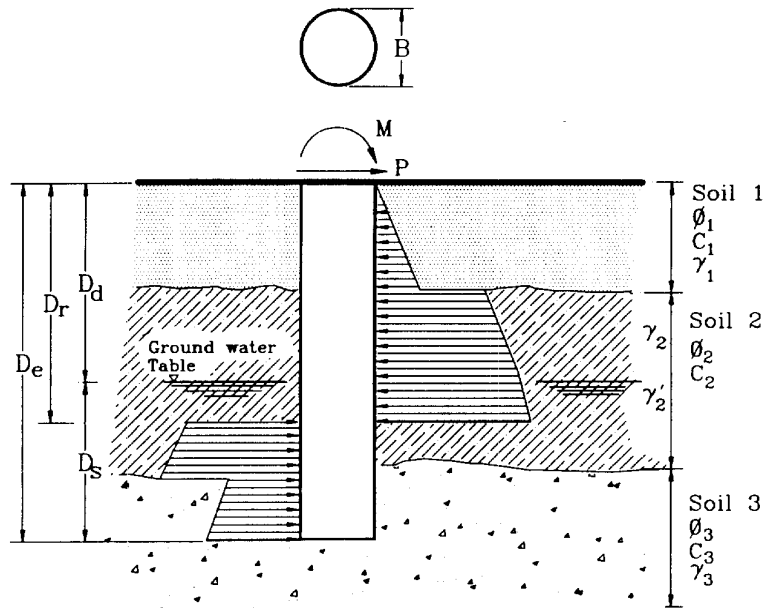


Figure 1

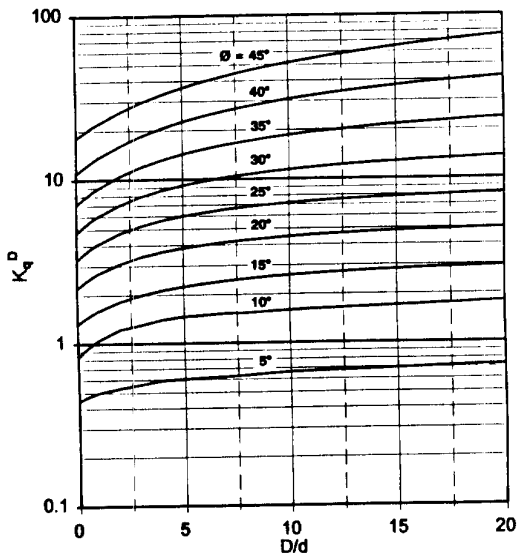
The resultant (passive minus active) pressure per unit front area on the embedded pole (p_D) at an arbitrary depth "D" is given by:

$$p_D = qK_q^D + CK_c^D \quad \text{Eq. 1}$$

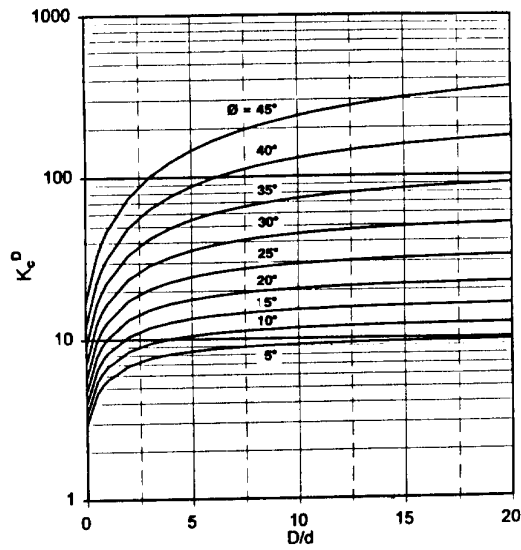
where:

$q = \gamma D_d + \gamma' D_s$
 (effective overburden pressure)
 D_d = Depth of dry soil
 D_s = Depth of submerged soil
 from water table to pole butt
 K_q^D = See figure 2
 K_c^D = See figure 3

γ, γ' = Dry and submerged
 density of the soil
 C = Cohesion of soil
 $(d)(p_D)$ = Pressure per unit
 length of pile
 D_r = depth to point of
 rotation of a rigid
 pile (See figure 5)



Earth pressure coefficients for overburden pressure
Figure 2



Earth pressure coefficient for cohesion
Figure 3

The general procedure to compute the embedment depth D_e is as follows given that the moment (M), horizontal load (P), diameter of the pole (d), and soil properties are known.

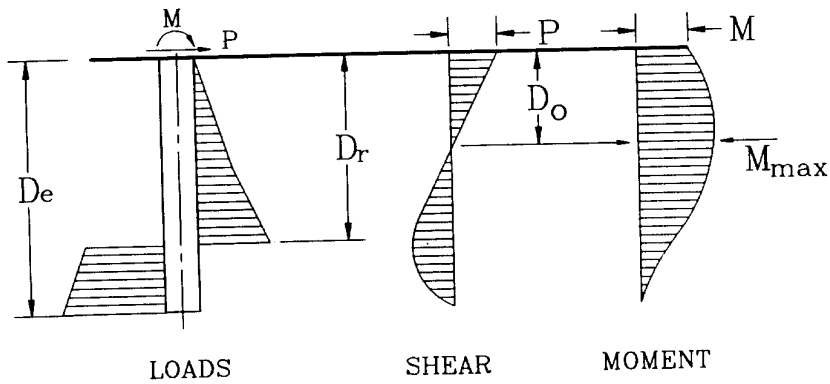


Figure 4

- a. Compute D_0 , the depth to point of zero shear and maximum moment. This can be done by equating the total earth pressure above this point to the force P .
- b. Compute M_{max} . by taking moments of all forces acting above this point.
- c. Assume D_e
- d. Assume D_r . For the first trial, try $D_r = 0.75 D_e$ for granular soils and $D_r = 0.6 D_e$ for clay soils.
- e. Compute the algebraic sum of all lateral earth forces below the point of zero shear. This should be equal to zero. If not, adjust D_r so that it will be.
- f. Calculate moments of all forces acting below the point of zero shear. This should be equal to M_{max} . computed in Step "b". If not, start with Step "c" again by assuming a new D_e .

2.2 Deflection Using Davisson's Method: Groundline deflections can be estimated based on a method developed by Davisson and Prakash in an article titled, "A Review of Soil-Pole Behavior," published in the Highway Research Record, Number 39. The equations are valid for loads in the range of 1/3 to 1/2 of the ultimate load. At higher load levels, the load deflection relationship becomes nonlinear.

Although it is not possible to compute the deflections near the range of the ultimate loads, Broms¹ states that maximum resistance is in general reached when the deflection at the ground surface is approximately equal to 20 percent of the diameter of the pile. The working loads, particularly for non-iced conductors, should be in the range of the load-deflection curves so that the preceding equations are valid.

No deflection limits are recommended. Each design case will have to be evaluated for the particular structure by itself and in relation to the other structures in the line.

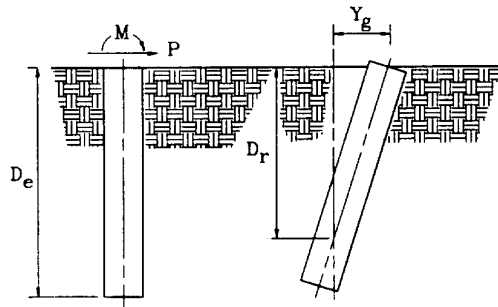


Figure 5
(P and M are less than 1/2 the ultimate loads.)

For clay soils:

$$Y_g = [2.15PD_R/D_e] / [KD_e((1.87 D_R/D_e) - 1)] \quad \text{Eq. 2}$$

$$D_R/D_e = [(M/(PD_e)) + .683] / [(1.87 M/(PD_e)) + 1] \quad \text{Eq. 3}$$

For granular soils:

$$Y_g = [3PD_R/D_e] / [n_h D_e^2((1.5 D_R/D_e) - 1)] \quad \text{Eq. 4}$$

$$D_R/D_e = [(M/(PD_e)) + .750] / [(1.5 M/(PD_e)) + 1] \quad \text{Eq. 5}$$

Values of K for clays	
Cohesion (lb/ft ²)	K psi
1000 - 2000	700
2000 - 4000	1400
>4000	2800

	Values n _h for granular soils	
	Dry	Submerged
	n _h (lb/in ³)	
Loose	9.4	5.3
Medium	28	19
Dense	75	45

3. **EMBEDMENT CHARTS:** Nine charts have been developed which show embedment depths for pole diameters ranging from 1.0 to 4.0 feet. Ultimate moments at groundline range from 0 to 3500 ft-kips.

Because of the sensitivity of embedment depths to groundline moments and relative insensitivity of embedment depth to ground shears, the embedment charts were developed based on a horizontal load on the pole of 20 kips. In general, the degree of conservatism of the 20 kip load is greatest for very small groundline moments, and diminishes to a negligible value for a groundline moment of 300 ft-kips.

The nine embedment charts have been developed for nine soil types. These soil types and characteristics are shown in Table 1. Submergence significantly influences the strength of the sand foundations because they are weight-dependent. Submergence does not influence the strength of the clay foundations because they are not weight dependent.

Most soils are neither a pure sand or a pure clay and may often be multilayer. The user of these charts should decide the predominate soil type when estimating embedment depths. For example, if the soil type is a submerged silty sand, embedment

depths estimated with these charts should be based on a submerged sand.

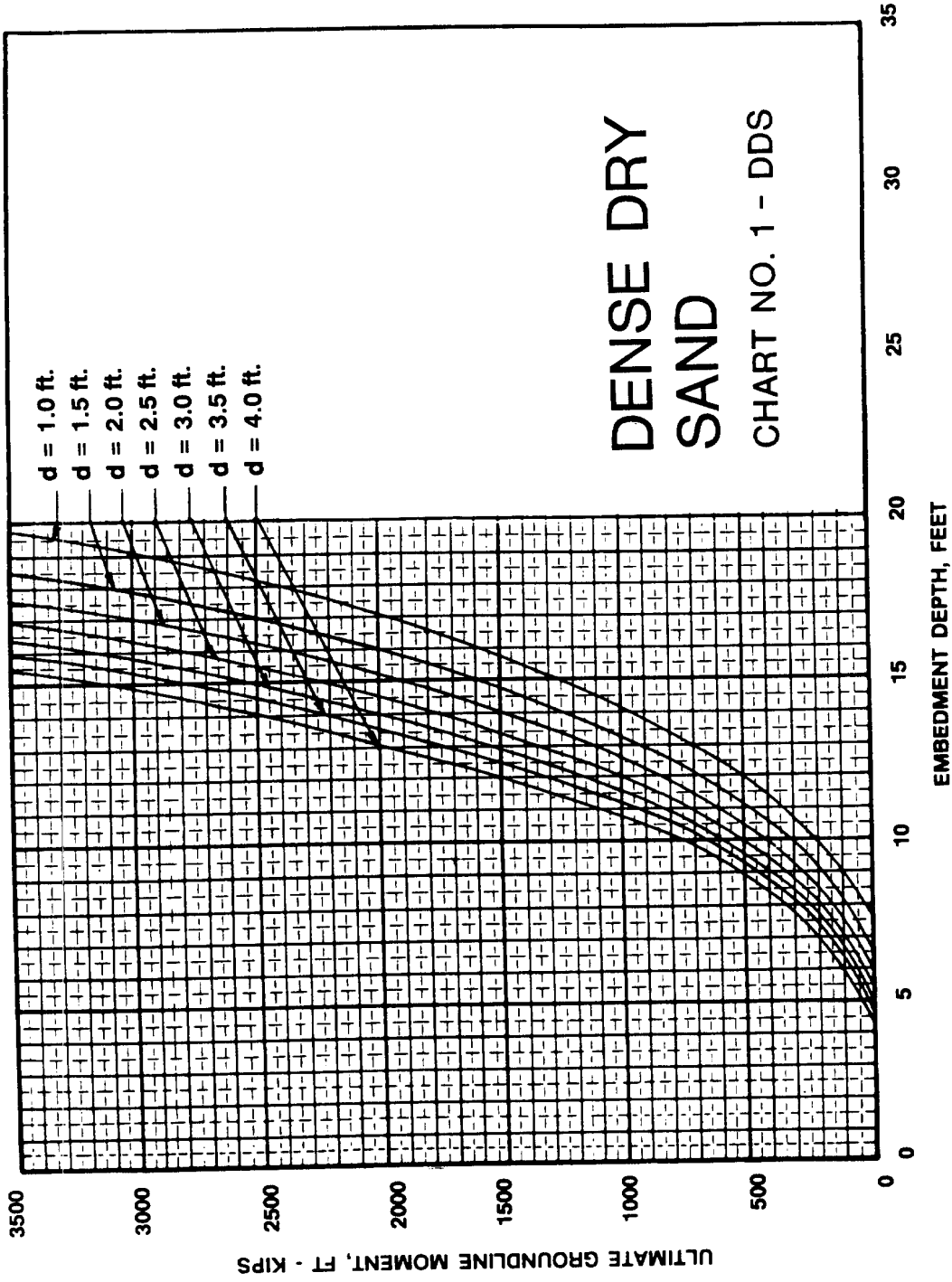
The designer may wish to assume that the top 1 to 2 feet of soil provide little or no strength. When using these charts or when using computer programs, this assumption may be a consideration by the designer.

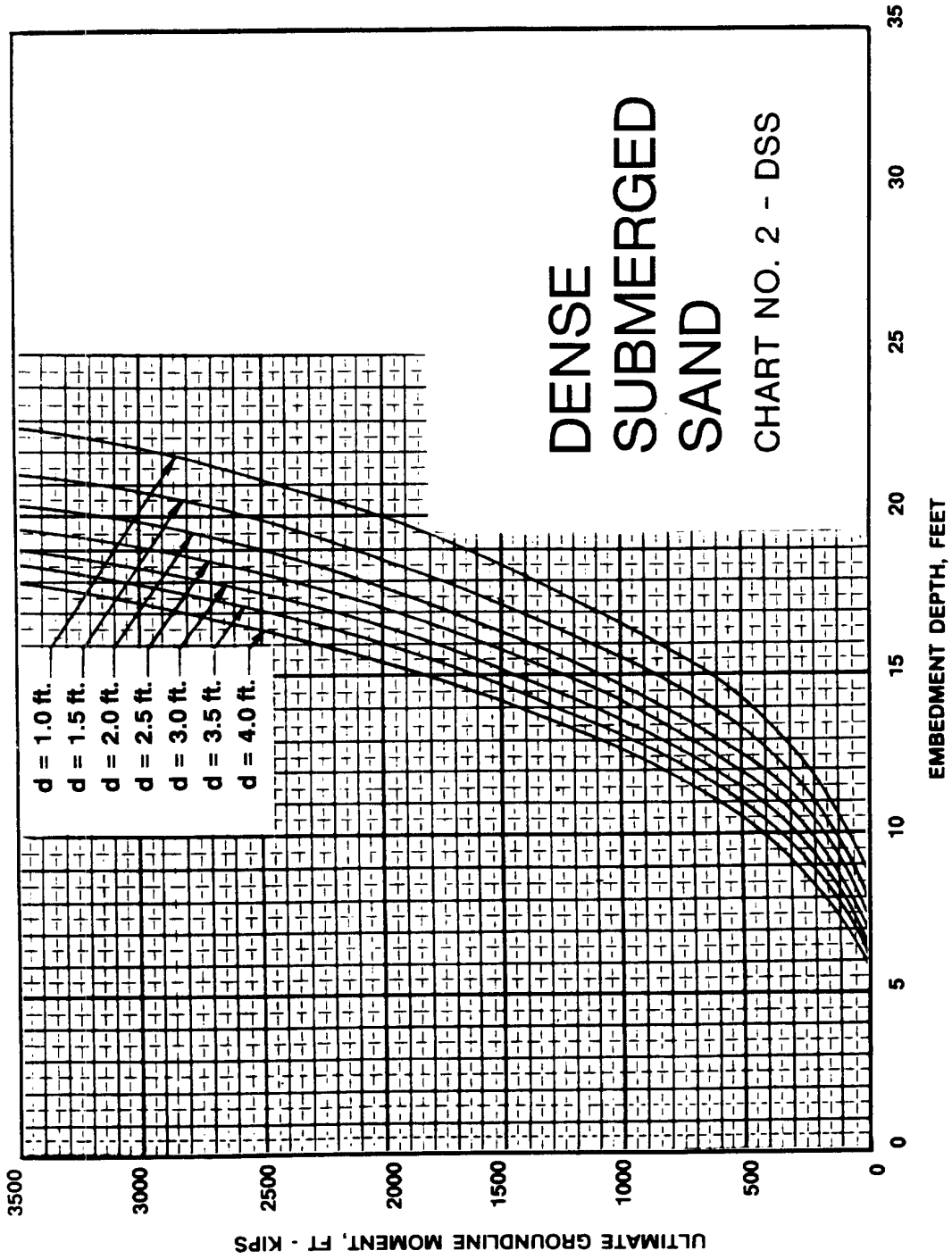
Table 1
Soil Parameters

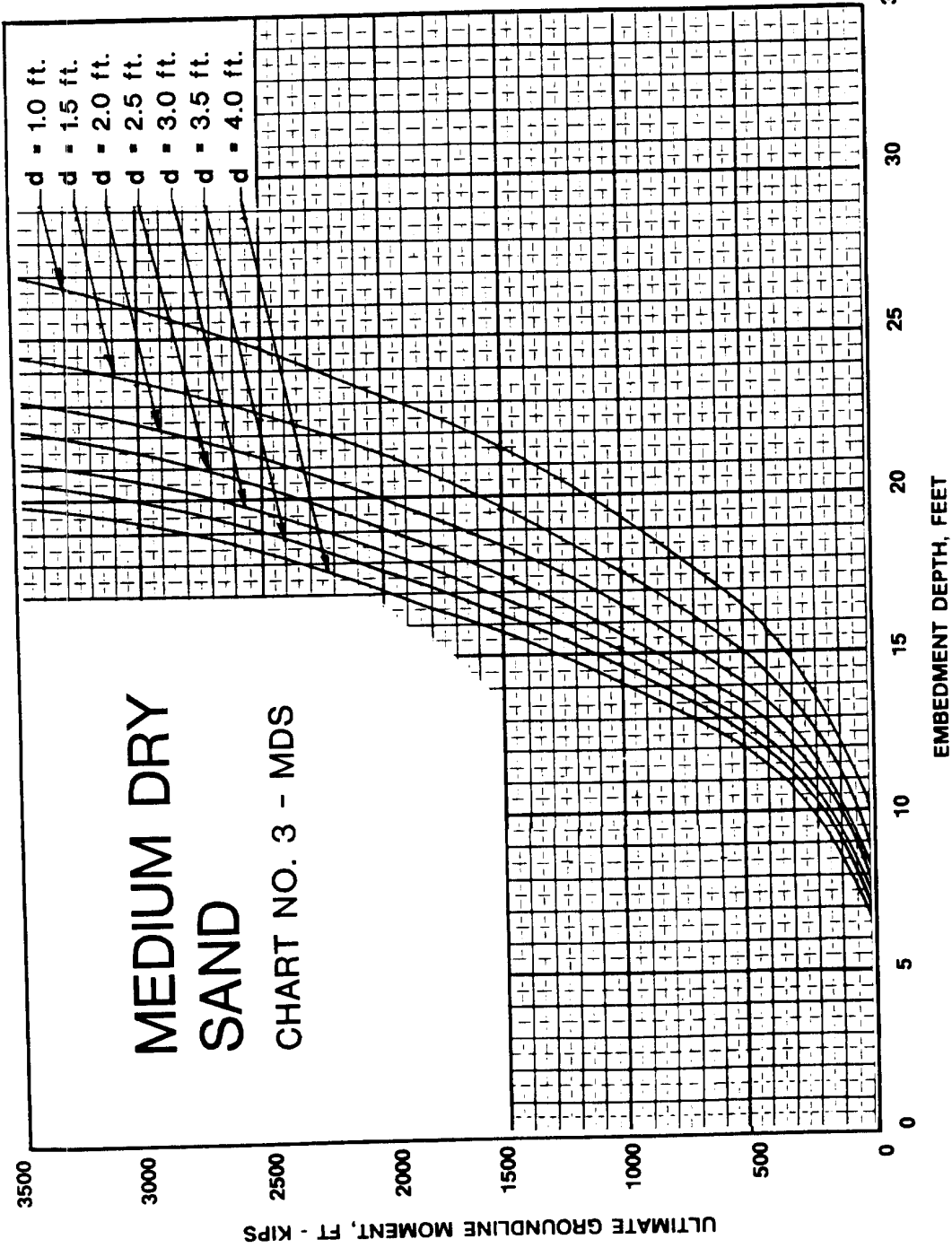
Chart No:	SOIL/TYPE & DESCRIPTION:	γ , Kip/Cft	C, Kip/SqFt	ϕ , Degrees	Typical blow count Values ("n")
1-DDS	DENSE DRY SAND	0.14	0.0	41	>30
2-DSS	DENSE SUBMERGED SAND	0.085	0.0	41	>30
3-MDS	MEDIUM DRY SAND	0.12	0.0	33	10-30
4-MSS	MEDIUM SUBMERGED SAND	0.065	0.0	33	10-30
5-LDS	LOOSE DRY SAND	0.095	0.0	28	0-10
6-LSS	LOOSE SUBMERGED SAND	0.055	0.0	28	0-10
7-SSC	STIFF SATURATED CLAY	0.14	2.0	0.0	>8
8-MSC	MEDIUM SATURATED CLAY	0.12	0.75	0.0	4-8
9-SOSC	SOFT SATURATED CLAY	0.10	0.25	0.0	0-4

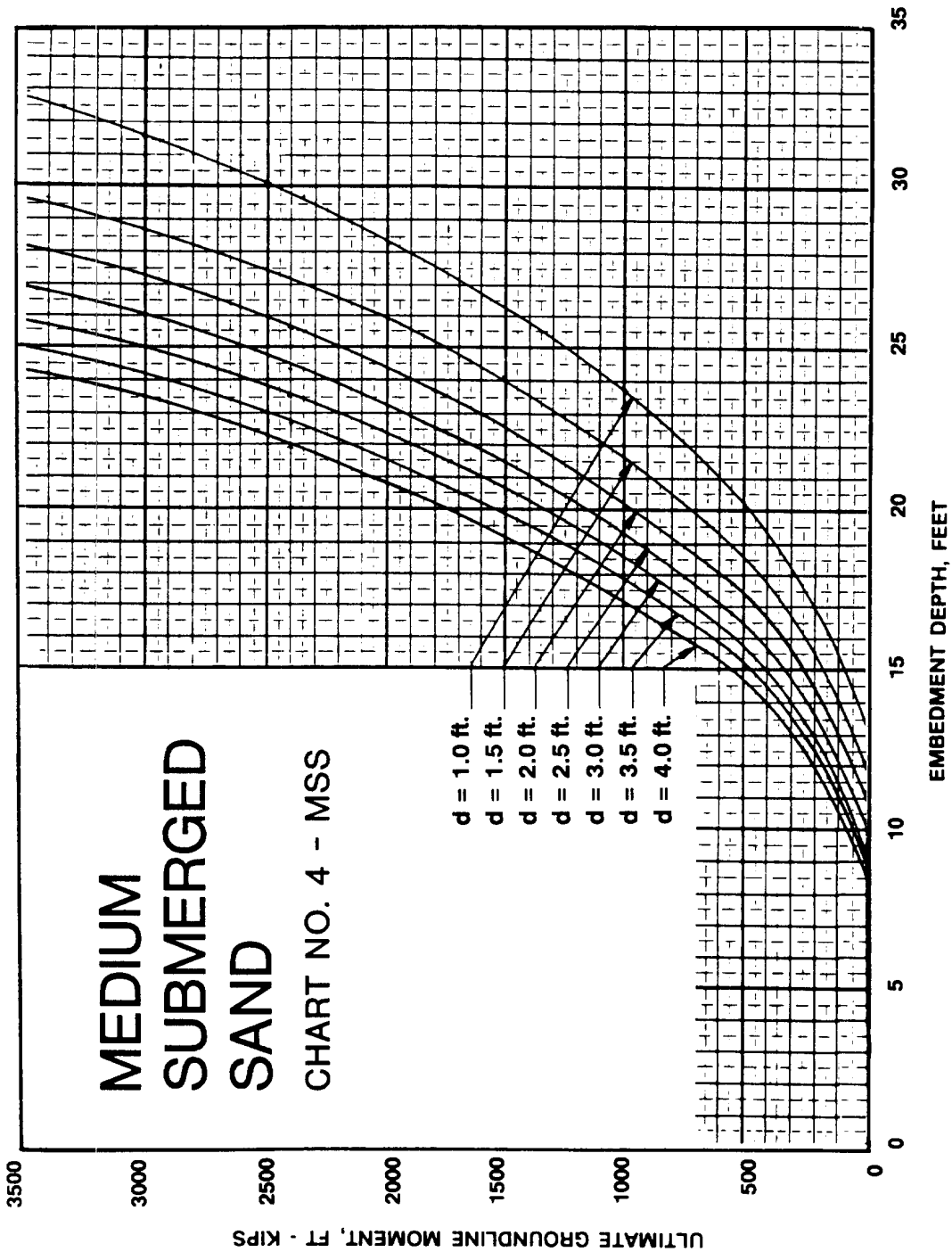
When using the embedment charts the following are applicable:

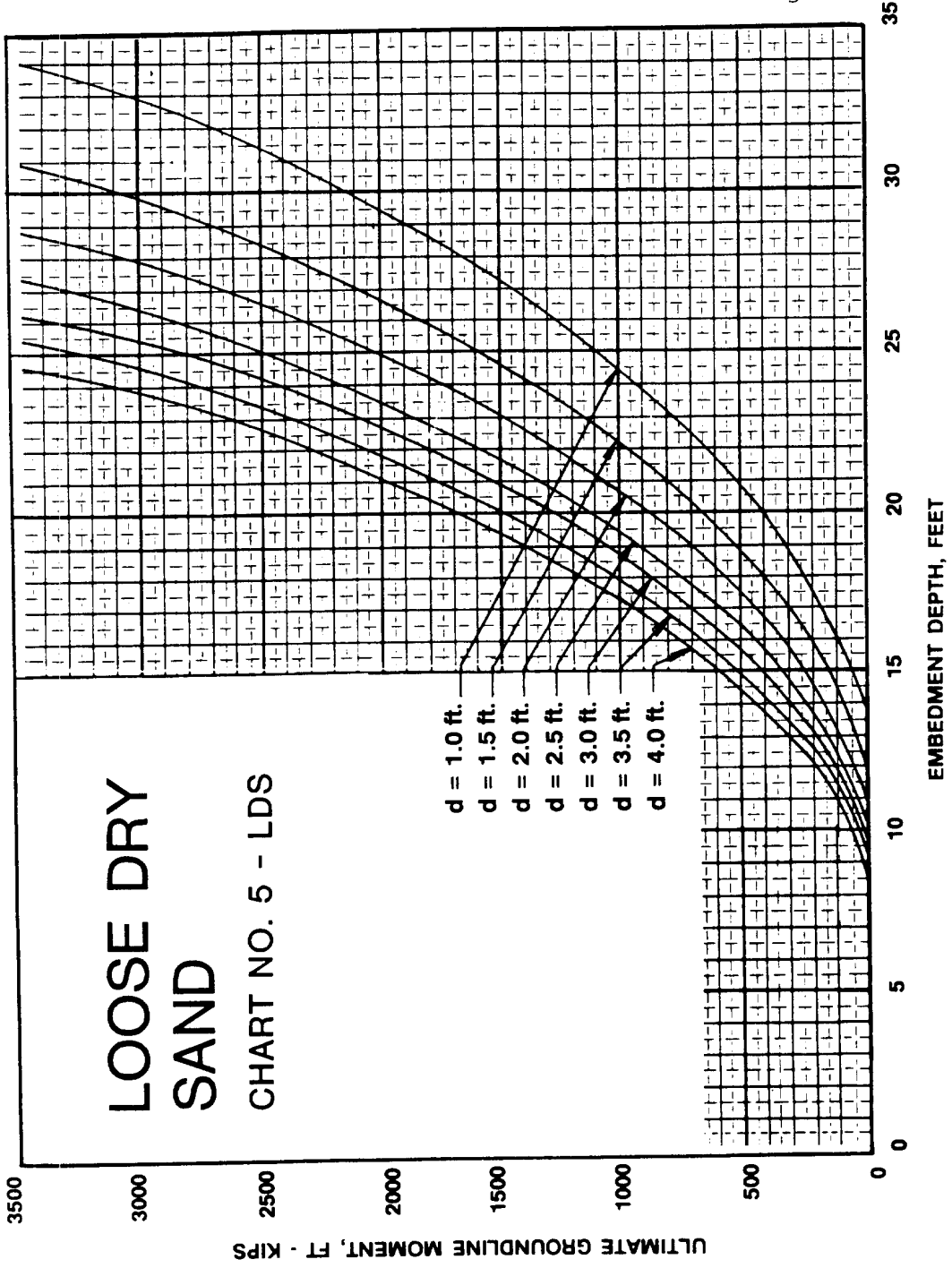
1. Moment values shown on the charts represent an ultimate capacity for embedment depths. Overturning moments should include all overload capacity factors and/or safety factors.
2. Charts are based on a horizontal load of 20 kips acting at an equivalent load height for a given moment and are slightly conservative for horizontal loads less than 20 kips. For horizontal loads greater than 20 kips but less than 40 kips, the charts are marginal but are adequate for use. For horizontal loads greater than 40 kips or for stratified soils, embedment depths should be determined by the Hansen formulae instead of the charts.
3. Recommended minimum embedment depth is three times either the pole diameter or pole's lateral dimension at the groundline. It is also recommended that the ratio of embedment depth to the pole diameter or pole's lateral dimension at groundline not exceed 10.

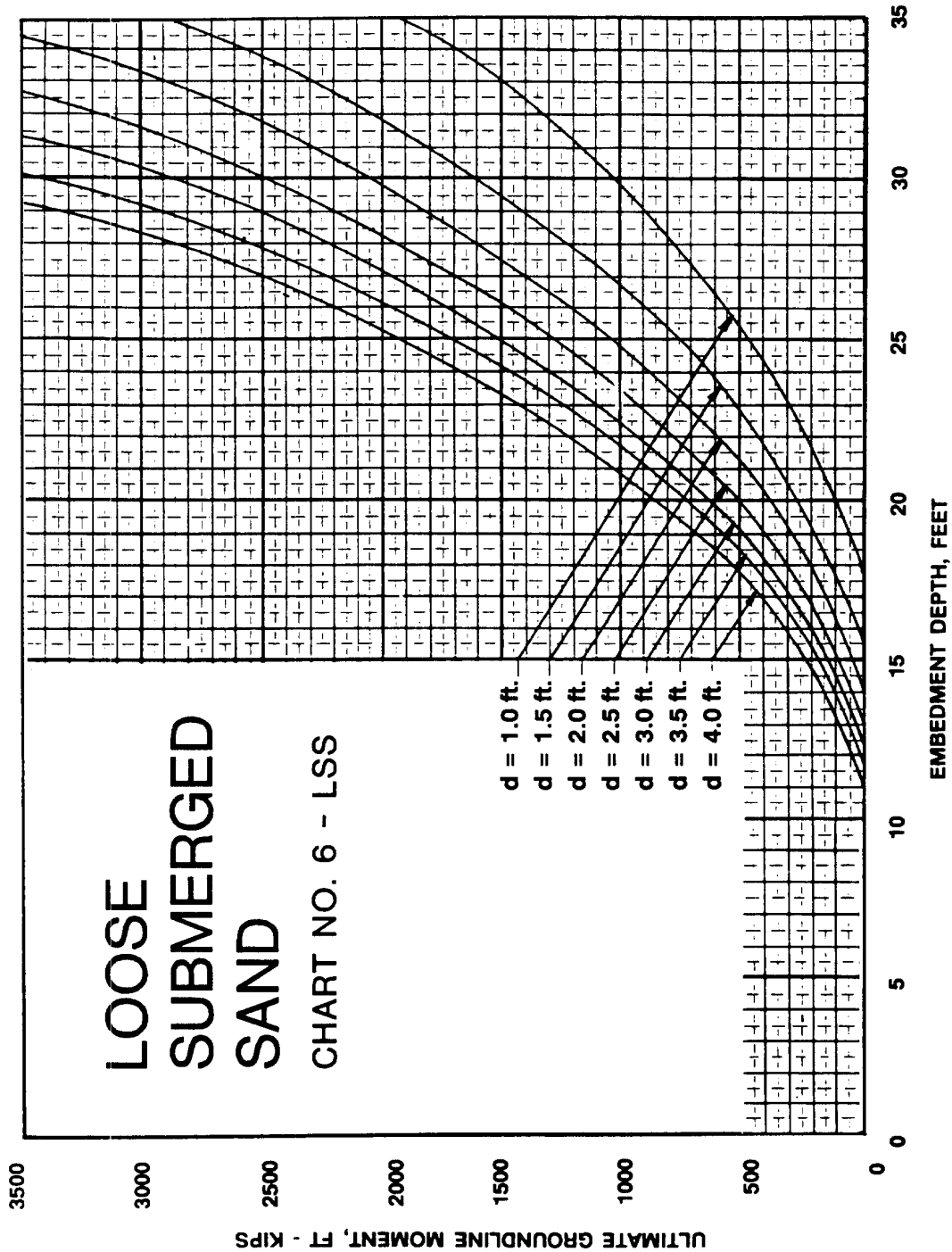


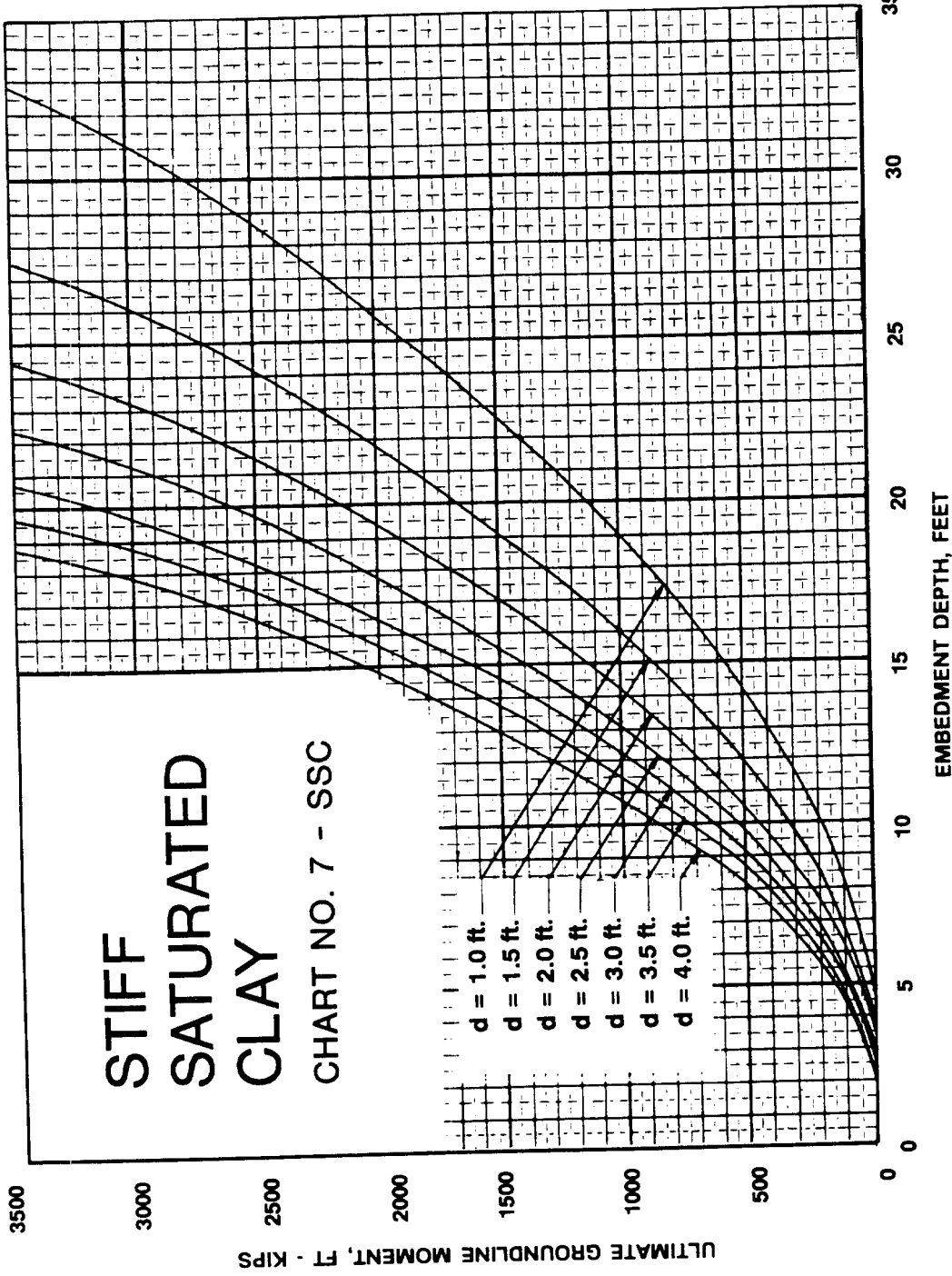


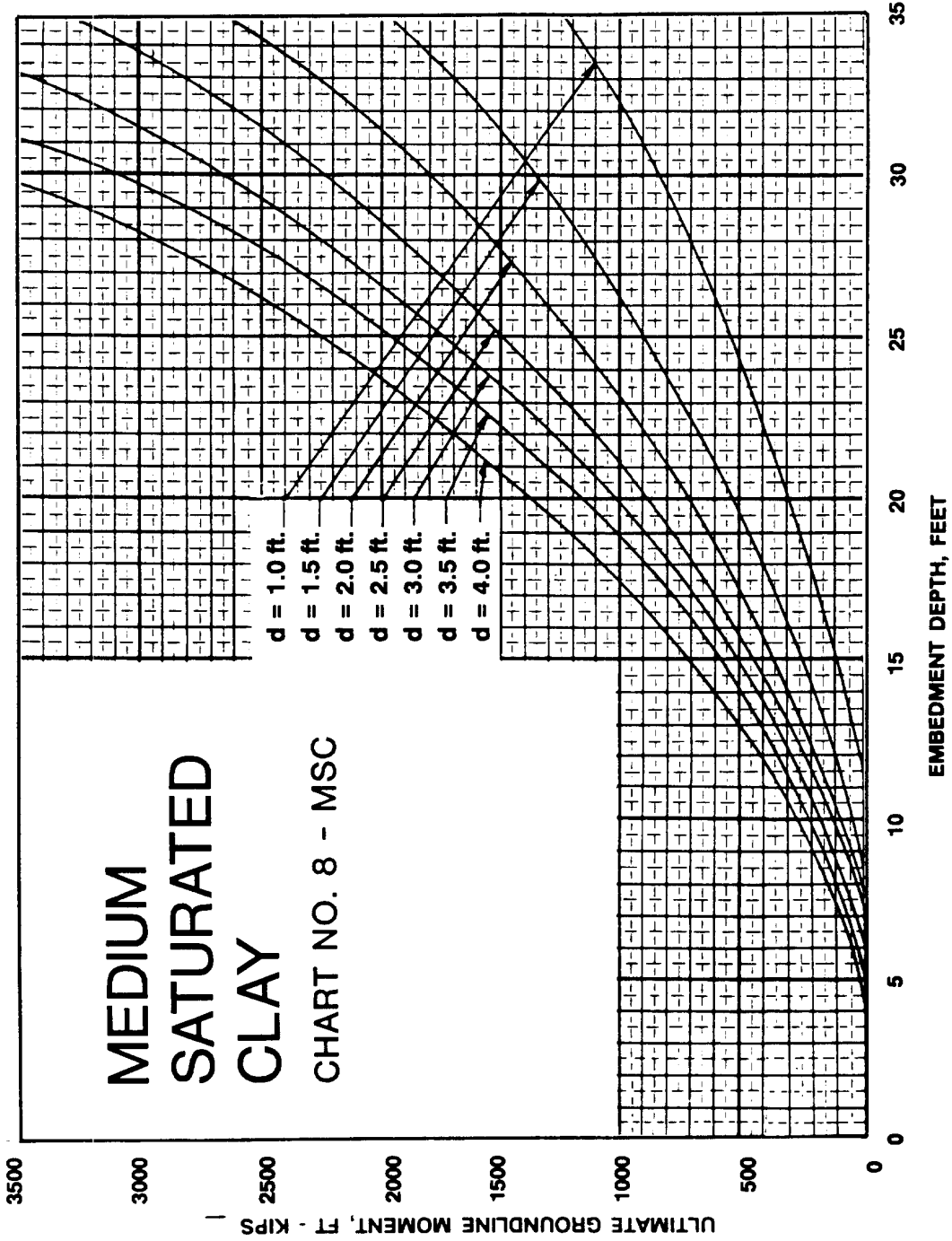


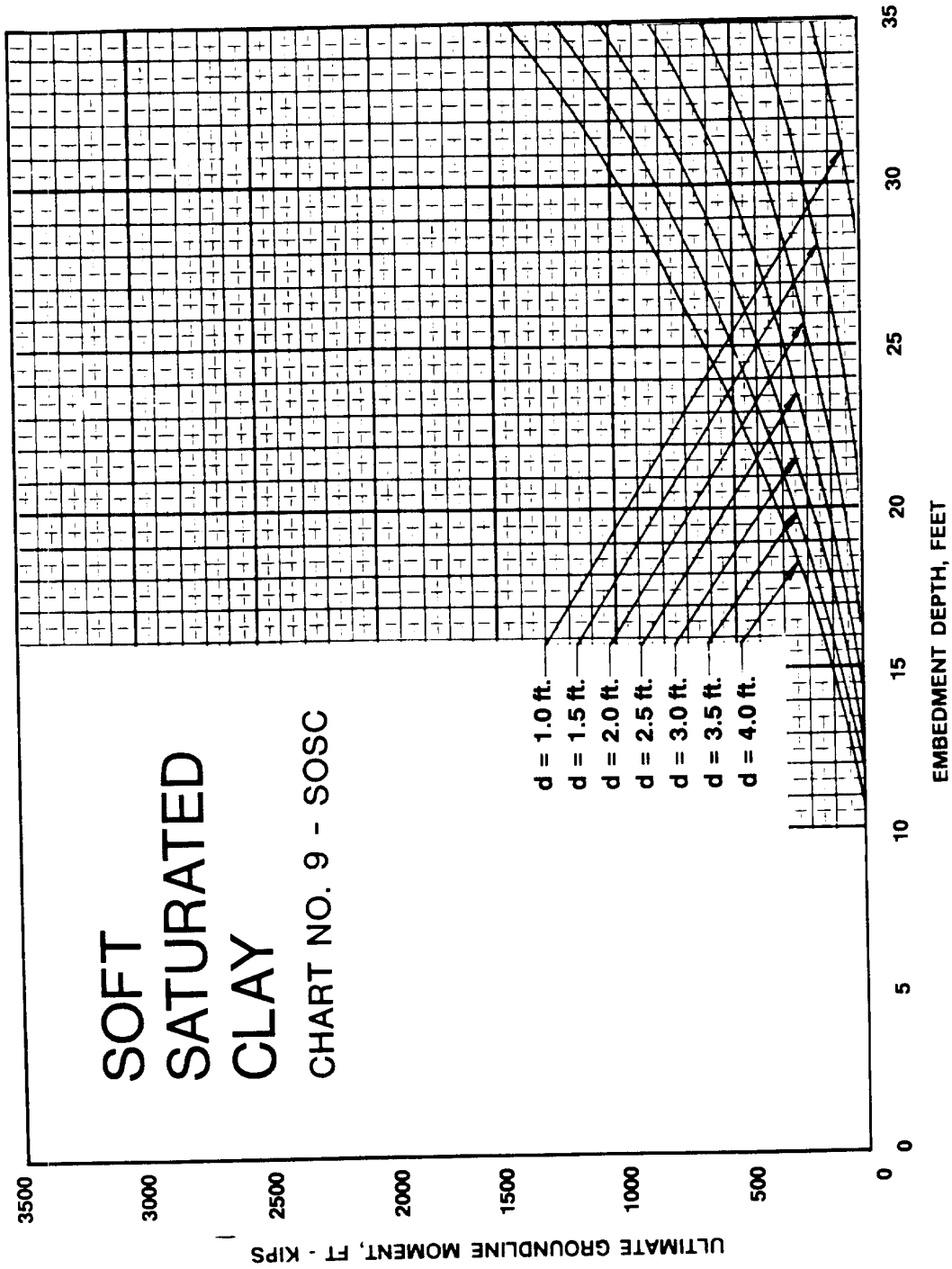












4. SUGGESTED PROCEDURE FOR USING THE CHARTS AND DETERMINING EMBEDMENT DEPTHS

4.1 Define Pole Dimensions and Loading Positions: The user should first specify/tabulate the following: pole heights and dimensional data (above ground), wire or insulator attachment points and heights, and pole diameters at top and groundline (given or estimated).

4.2 Specify Design Data, Load Cases/Conditions, Criteria and Requirements: For a given pole type, the user should name or designate the structure, define data on the vertical, horizontal spans, and maximum design line angle (if any), and tabulate design load cases or combinations being considered.

For each load case, the following should be specified: (a) design wind pressures on wires and pole; (b) radial ice thickness/type on wires and conductors; (c) groundwire and conductor design tensions; and (d) required safety factors or Overload Capacity Factors (OCF) for vertical, transverse and longitudinal loads, including separate load factors for components due to wire tensions, wind-on-wires and structure.

4.3 Calculate Forces and Moments at Groundline: For each load case you should compute and combine forces and moments due to: transverse wind acting on conductors, wires and pole; pole moments due to vertical loads acting on lateral pole deflection (P-delta effect) and nonsymmetrical vertical conductor wire loads (two arms vs. one arm on each side of the pole); and any additional transverse or longitudinal loads from wire tension components caused by line angle or unbalanced/deadending conditions. Each load component is applied with its required safety factors or overload capacity factor as specified in the design criteria. From all the design cases, the maximum or "controlling" groundline moment and maximum horizontal shear force should be determined.

4.4 Determine Subsurface Soil Type and Condition: For preliminary design, the engineer may wish to estimate the soil type and condition (dry vs. saturated). The final design and selection of embedment depths should be based on subsurface investigations and soil testing at the location of the structure or adjacent locations with similar soil. For tangent structures, it may be sufficient to only list locations where there is similar soil. However, site investigation and soil testing is recommended at poles subject to long duration, high lateral loads and overturning moments.

During construction when the holes are augered for the poles, soil type and condition should be monitored. If the soil conditions during excavation and construction are different than the assumed conditions, embedment depths may have to be adjusted.

4.5 Select a Chart for the Soil and Determine Embedment Depth:

In many instances, the engineer will be able to select an embedment chart which most clearly represents the soil and the state of the soil at the pole location. Occasionally, two charts may be used to bracket and average the required embedment depth.

Once the chart has been selected for the soil and the maximum overturning moment (includes overload factors) at groundline has been calculated, the embedment depth is determined in the chart for a given or estimated pole diameter at groundline.

5. POLE ANALYSIS AND FOUNDATION DESIGN EXAMPLES**5.1 Example 1, Steel Pole Embedment Design Using The Embedment**

Charts: For the TUS-1 steel pole structure and loading conditions given below, determine if 10 percent of height plus 2 feet is an adequate embedment depth. Assume medium-dense, dry sand is the soil.

a. General information:

Line voltage: 138 kV/69 kV Double Circuit
 Design by: RUS Engineers
 Structure type: TUS-1 Steel Pole

Geometry of the structure and location of loads:

	<u>Distance from Pole Top, Ft.</u>
OHGW	0.25
COND-1	7.50
COND-2	17.50
COND-3	27.50
COND-69-1	7.50
COND-69-2	17.50
COND-69-3	27.50
Underbuild-NONE	97.00
At Gd.Line-assumed	97.00
Pole-End	110.00

Overall pole length is 110 feet. The above dimensions assume 13.0 foot embedment depth for the steel pole using the standard rule for wood poles of 10 percent pole length plus 2 feet. Assume top of the pole has a 12 inch diameter, and the groundline diameter is 30 inches.

b. Overload Capacity Factors (OCFs) used in this example:

For NESC Light, Medium or Heavy Loading District Loads

Vert.	1.50	Wind on Pole	2.50
Transv. wind	2.50	Transv. Line Angle	1.65
Longitudinal Loads	1.65		

For Extreme Wind Loads 1.10

c. Conductor and OHGW Data:

OHGW: 3/8" HSS
R.B.S. - 10,800 lb.

138 kV Conductor: Drake (795 26/7 ACSR)
R.B.S. - 31,500 lb.

69 kV Conductor: Linnet (336-4 26/7 ACSR)
R.B.S. - 14,100 lb.

Ruling Span - 550 ft.
Vertical Span - 700 ft.
Horizontal Span - 750 ft.
Line Angle - 10 degrees

d. Load Cases:

Load Case A: NESC Medium District Loads
with an Unbalanced Longitudinal
Load of 1,600 lb. at the Top Conductor
(1.65 OCF applied)

Load Case B: 100 Mph Extreme Wind Load
(1.1 OCF applied)

e. Loading Information (summary):

NESC Medium Loading Data

	<u>Cond.Tension (kips)</u>	<u>Transverse lb/ft.</u>	<u>Vertical lb/ft.</u>
Drake - 138 kV	7.91	.536	1.516
Linnet- 69 kV	4.15	.407	.765
OHGW - 3/8 HSS	2.56	.287	.463

Extreme Wind Loading Data (26 psf)

	<u>Cond.Tension (kips)</u>	<u>Transverse lb/ft.</u>	<u>Vertical lb/ft.</u>
Drake - 138 kV	8.54	2.4007	1.0940
Linnet- 69 kV	4.72	1.5622	.4630
OHGW - 3/8 HSS	1.23	.7800	.2730

f. Calculate forces and moments at the groundline:

NESC Medium District Loading

	Load due to Wind on Wire (kips)	Load Due to Line Angle (kips)	Total Transv. Load W/OCF (kips)	Moment Arm Feet	Ultimate Moments ft. kips
OHGW	.22	.45	1.27	96.75	123
COND-1	.40	1.38	3.28	89.50	294
COND-2	.40	1.38	3.28	79.50	261
COND-3	.40	1.38	3.28	69.50	228
COND-69-1	.31	.72	1.96	89.50	175
COND-69-2	.31	.72	1.96	79.50	156
COND-69-3	.31	.72	1.96	69.50	136
Groundline				0.0	
Totals for Wire Loads			16.99		1373
Wind on the Pole			1.70		71
Moments due to unbalanced vertical load (Negligible if crossarms are all the same length)					0
Additional moment due to deflection (Approximated)					140
Total Transverse Shear and Moments at Groundline			18.69		1584

For the unbalanced longitudinal load - the shear is 1.6 kips and the longitudinal moment is 236.3 ft-kips
(1.6 kips @ top cond. 89.5 ft. moment arm, 1.65 OCF)

TOTAL RESULTANT GROUNDLINE MOMENT = 1600 ft kips

Extreme Wind Loading

Similar calculations are performed for the extreme wind load.

TOTAL GROUNDLINE MOMENT = 1560 ft-kips

Conclusions: The Nesc Medium Loading case with a longitudinal load controls design.

g. Select Embedment Chart and Determine Embedment Depth

Required
Embedment Depth

Medium dry sand, Chart 3, dia. of 2.5 ft. 17 ft.
Dense dry sand, Chart 1, dia. of 2.5 ft. 13 ft.

Average sand Med/Dense dry material, use 15 ft, or
10 percent of pole height plus 4 ft.

For identical data and medium/dense submerged sand, the
charts indicate a required embedment depth of 18 ft.
(equal to 10 percent of pole height plus 7 ft.)

5.2 **Example 2:** For a single circuit, medium-angle 90 ft. steel pole, the maximum ultimate groundline moment has been determined to be 2,890 ft-kips.

For a pole groundline diameter of 3.5 ft. and a medium dry sand material the required embedment depth is 19.8 ft. (use 20 ft.).

5.3 **Example 3:** For a prestressed concrete pole, determine the embedment depth. The concrete pole is designed so that the cracking moment is not exceeded by an 6,000 lb. load applied 2 feet from the top and the ultimate strength is not exceeded by a 12,000 lb. load applied 2 feet from the top.

In order to achieve the same ultimate strength for the foundation as the pole, the embedment depth is selected to sustain an ultimate load of 12 kips.

Characteristics of the pole follow:

height: 80 ft.
 taper: .165 in/ft. of height
 assumed embedded depth: 10% + 4 feet in dense dry sand
 groundline diameter: 24.5" (use 24")
 ult. groundline moment: 792 ft-kip (based on 12^k x 66 ft.)

The chart for dense dry sand shows a required embedment of 11.9 feet for a 2 ft. diameter foundation to resist 792 ft-kips of overturning moment at groundline. This approximates the 12.0 foot embedment depth obtained from the 10 percent of pole length plus 4.0 feet originally estimated.

5.4 **Example 4:** For the pole in example 3, calculate the deflection and rotation at the groundline for the working loads. Since the working load is one half of the ultimate equations 2 to 5 are valid.

Given: Horizontal working load, P = 8.0 kips
 Embedment depth D = 12.0 ft.
 Groundline working moment M = 8 x 66 = 528 ft-kips
 Dense dry sand n_h = 75 psi or 129 kcf

a. Calculations using Davisson's formulae for sandy soil:

D_r = Depth to point of rotation, ft

$$D_r/D_e = [(M/PD_e) + .750] / [(1.5 M/PD_e) + 1]$$

$$= [396/(6x12) + .75] / [(1.5 x 396)/(6x12) + 1]$$

$$D_r/D_e = .676$$

b. Groundline deflection, and rotation:

$$\begin{aligned}
 Y_g &= [3PD_r/D_e] / [n_h D_e^2 ((1.5 D_r/D_e) - 1)] \\
 &= 3(6)(.676) / [(130)(12)^2(1.5 \times .676 - 1)] \\
 &= .046 \text{ ft.} \\
 &= .56 \text{ in.} \\
 D_r &= (D_r/D_e) \times D_e \\
 &= 0.676 \times 12 = 8.112 \\
 \theta &= Y_g/D_r = 0.0621/8.112 \\
 &= 0.00766 \text{ Radian} = .00766 \times 57.3 \text{ degrees} \\
 &= 0.44 \text{ Degree}
 \end{aligned}$$

c. Estimated pole deflections at groundline:

Horizontal deflection = 0.6 inch (approximate)

Rotation about vertical axis = 0.44 degree (approximate)

These deflections are assumed to be reasonable because the loads are in the range between 1/3 and 1/2 of the ultimate load and, as such, the load deflection relationship is linear.

**THIS PAGE IS
INTENTIONALLY
BLANK**

APPENDIX A

References

1. Broms, B.B., "Lateral Resistance of Piles in Cohesive Soils," Journal of Soil Mechanics and Foundations Division, ASCE, March 1964, pp 27-63.
2. Broms, B.B. "Lateral Resistance of Piles in Cohesionless Soils," Journal of Soil Mechanics and Foundation Division, ASCE, May 1964, pp 123-156.
3. Broms, B.B., "Design of Laterally Loaded Piles," Journal of Soil Mechanics and Foundations Division, ASCE, May 1965, pp 79-99.
4. Czerniak, E.; "Resistance to Overturning of Single, Short Pile," Journal of Structural Division, ASCE, March 1957.
5. Davisson, M.T. and Prakash, Shanisher, "A Review of Soil Pole Behavior," Highway Research Board No. 39, 1963.
6. Hansen, J.B., "Ultimate Resistance of Rigid Piles Against Transversal Forces," The Danish Geotechnical Institute, Bulletin No. 12, 1961.
7. Naik, T.R. and Peyrot, Alain, "Analysis and Design of Laterally-Loaded Piles and Corrosions in a Layered Soil System," Professors at University of Wisconsin - Milwaukee, 1980.

**THIS PAGE IS
INTENTIONALLY
BLANK**

APPENDIX B

- o Background Information
- o Embedment Calculations Overview Table
- o Abstract of Hansen Method

BACKGROUND INFORMATION

Comparison of Design Methods: Comparisons were made of embedment requirements, groundline deflection and foundation rotation for tubular steel and concrete transmission poles, using various analytical techniques. The techniques used to evaluate and tabulate embedment depths are the Broms method, the Hansen method, and the method found in RUS Bulletin 1724E-200, "Design Manual for High Voltage Transmission Lines." The Davisson method is used to evaluate groundline deflection and rotation for all embedment techniques. The method by Naik & Peyrot was compared to Broms and Hansen for one case.

Inspection of calculations shows very good correlation between the embedments required by the Hansen method and the Broms method, with the Hansen method being generally more conservative of the two. The RUS method for wood poles is in reasonable agreement with the other methods in good soils but is marginal in poor soils. The one sample calculation made using the Naik method is in agreement with Hansen and Broms.

In comparing the different methods, several general conclusions can be reached. Inspection of the calculations reveals that there is generally a slight reduction in the embedment depths associated with an increase in embedment diameter. The data also shows that there is a substantial increase in groundline rotations with a relatively small decrease in embedment depths resulting from doubling the embedment diameter. Capacity and rotation are affected more by the embedment depth rather than the diameter of the embedded pole.

The calculations also show the comparative insensitivity of the required embedment to groundline shear. For the range of shears from 10 kips to 40 kips, the required embedments based on the Hansen method, varied from 18 feet to 20 feet in medium sand and from 27.8 to 30.9 feet in medium clay. In medium sand and medium clay respectively, the depths required for 10 kips shear are 96.6 percent and 94.9 percent of the depths required for 25 kips, and the depths required for 40 kips shear are 103 percent and 105.5 percent of the depths required for 25 kips shear.

The comparison of various methods of evaluating embedment requirements resulted in using the Hansen method in developing the embedment charts in this bulletin.

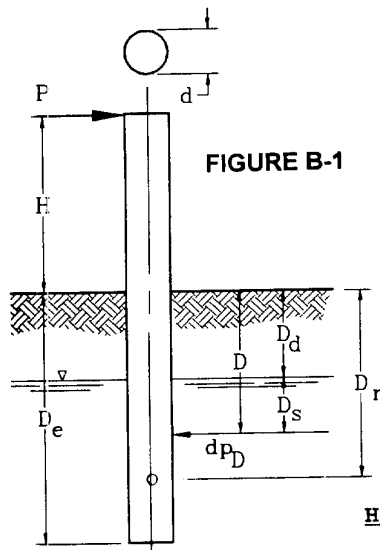
EMBEDMENT CALCULATIONS OVERVIEW TABLE

Soil	Type	LOAD (KIPS)	HEIGHT (FT)	POLE ****HANSEN****			bL	DEPTH (FT)	ROT. (DEG.)	L	DEPTH (FT)	ROT. (DEG.)
				DIA. (FT)	DEPTH (FT)	ROT. (DEG.)						
Dense Dry Sand	S	5.0	30.0	1.01	8.19	0.63	2.87	8.25	0.61	2.89	6.55	1.49
	C	5.0	30.0	1.52	7.52	0.87	1.77	7.13	1.07	1.68	6.55	1.49
	S	35.0	60.0	2.43	15.19	0.73	2.63	14.71	0.83	2.55	13.24	1.25
	C	35.0	60.0	3.65	13.93	1.03	1.62	12.74	1.45	1.49	13.24	1.25
	S	50.0	90.0	3.14	18.03	0.77	2.55	17.17	0.93	2.43	16.17	1.17
	C	50.0	90.0	4.71	16.45	1.10	1.57	14.89	1.62	1.42	16.17	1.17
Dense Submerged Sand	S	5.0	30.0	1.01	9.53	0.58	3.01	9.88	0.51	3.12	6.55	2.48
	C	5.0	30.0	1.52	8.83	0.78	1.88	8.53	0.89	1.81	6.55	2.48
	S	35.0	60.0	2.43	17.84	0.66	2.79	17.60	0.69	2.75	13.24	2.08
	C	35.0	60.0	3.65	16.34	0.92	1.72	15.21	1.22	1.60	13.24	2.08
	S	50.0	90.0	3.14	21.02	0.71	2.69	20.48	0.78	2.62	16.17	1.96
	C	50.0	90.0	4.71	19.34	0.97	1.66	17.75	1.36	1.53	16.17	1.96
Medium Dry Sand	S	5.0	30.0	1.01	10.87	0.57	3.13	9.90	0.81	2.85	7.91	1.92
	C	5.0	30.0	1.52	9.87	0.82	1.91	8.95	1.43	1.65	7.91	1.92
	S	35.0	60.0	2.43	20.10	0.67	2.86	17.63	1.11	2.51	15.99	1.61
	C	35.0	60.0	3.65	16.29	0.96	1.75	15.24	1.94	1.46	15.99	1.61
	S	50.0	90.0	3.14	23.62	0.72	2.74	20.52	1.25	2.38	19.51	1.51
	C	50.0	90.0	4.71	21.59	1.02	1.69	17.78	2.17	1.39	19.51	1.51
Medium Submerged Sand	S	5.0	30.0	1.01	13.20	0.40	3.51	12.39	0.51	3.29	7.91	2.83
	C	5.0	30.0	1.52	12.11	0.56	2.17	10.67	0.90	1.91	7.91	2.83
	S	35.0	60.0	2.43	24.47	0.47	3.22	22.03	0.70	2.90	15.99	2.38
	C	35.0	60.0	3.65	22.44	0.65	1.99	19.01	1.23	1.68	15.99	2.38
	S	50.0	90.0	3.14	28.76	0.50	3.09	25.56	0.79	2.75	19.51	2.23
	C	50.0	90.0	4.71	26.30	0.71	1.90	22.10	1.38	1.60	19.51	2.23
Loose Dry Sand	S	5.0	30.0	1.01	13.61	0.72	3.14	11.61	1.32	2.68	9.56	2.77
	C	5.0	30.0	1.52	12.34	1.05	1.92	10.01	2.33	1.56	9.56	2.77
	S	35.0	60.0	2.43	24.95	0.88	2.85	20.65	1.81	2.36	19.33	2.33
	C	35.0	60.0	3.65	22.55	1.29	1.74	17.83	3.17	1.37	19.33	2.33
	S	50.0	90.0	3.14	29.24	0.85	2.73	23.99	2.04	2.24	23.56	2.18
	C	50.0	90.0	4.71	26.56	1.38	1.67	20.75	3.57	1.30	23.56	2.18
Loose Submerged Sand	S	5.0	30.0	1.01	16.37	0.64	3.38	14.21	1.09	2.93	9.56	4.89
	C	5.0	30.0	1.52	14.80	0.93	2.05	12.22	1.91	1.70	9.56	4.89
	S	35.0	60.0	2.43	29.87	0.79	3.05	25.24	1.49	2.58	19.33	4.10
	C	35.0	60.0	3.65	27.06	1.14	1.86	21.75	2.61	1.49	19.22	4.10
	S	50.0	90.0	3.14	35.02	0.84	2.92	29.21	1.69	2.44	23.56	3.84
	C	50.0	90.0	4.71	31.74	1.23	1.78	25.23	2.95	1.42	23.56	3.84

EMBEDMENT CALCULATIONS OVERVIEW TABLE (Cont)

Soil	Type	LOAD (KIPS)	HEIGHT (FT)	POLE ****HANSEN****		ROT. (DEG.)	bL	DEPTH (FT)	ROT. (DEG.)	L	DEPTH (FT)	ROT. (DEG.)
				DIA. (FT)	DEPTH (FT)							
Stiff Saturated Clay	S	5.0	30.0	1.01	7.72	0.77	2.76	7.69	0.78	2.74	6.55	1.24
	C	5.0	30.0	1.52	6.59	1.22	1.43	7.33	0.90	1.59	6.55	1.24
	S	35.0	60.0	2.43	18.72	0.78	2.78	18.75	0.77	2.78	13.24	2.10
	C	35.0	60.0	3.65	16.01	1.21	1.45	17.84	0.89	1.61	13.24	2.10
	S	50.0	90.0	3.14	23.89	0.78	2.75	23.95	0.78	2.75	16.17	2.43
	C	50.0	90.0	4.71	20.46	1.22	1.43	22.81	0.89	1.60	16.17	2.43
Medium Saturated Clay	S	5.0	30.0	1.01	12.53	0.39	3.76	11.91	0.45	3.56	7.91	1.44
	C	5.0	30.0	1.52	10.60	0.62	1.94	10.73	0.60	1.96	7.91	1.44
	S	35.0	60.0	2.43	30.72	0.38	3.83	29.26	0.44	3.65	15.99	2.44
	C	35.0	60.0	3.65	25.92	0.62	1.97	26.29	0.59	2.00	15.99	2.44
	S	50.0	90.0	3.14	38.89	0.39	3.76	37.16	0.44	3.59	19.51	2.81
	C	50.0	90.0	4.71	32.84	0.63	1.94	33.45	0.60	1.97	19.51	2.81
Soft Saturated Clay	S	5.0	30.0	1.01	22.29	0.16	5.83	20.65	0.19	5.21	9.56	1.67
	C	5.0	30.0	1.52	18.50	0.26	2.85	17.65	0.30	1.72	9.56	1.67
	S	35.0	60.0	2.43	55.70	0.15	5.84	51.37	0.19	5.38	19.33	2.83
	C	35.0	60.0	3.65	45.89	0.25	2.93	43.68	0.29	2.79	19.33	2.83
	S	50.0	90.0	3.14	69.73	0.16	5.67	64.54	0.19	5.25	23.56	3.26
	C	50.0	90.0	4.71	57.72	0.26	2.86	55.11	0.30	2.73	23.56	3.26

ABSTRACT OF HANSEN METHOD



P = Transverse Load in kips
 H = Load height above grade in ft.
 d = diameter of foundation in ft.
 D = arbitrary depth below ground
 q = effective overburden pressure
 at depth in ksf
 P_D = resultant (passive minus
 active) pressure per unit
 frontal area of foundation in
 ksf
 ϕ = soil friction angle in degrees
 C = cohesion
 γ = unit weight above ground water
 table in pcf
 γ' = unit weight below ground water
 table in pcf

Hansen Formulae

$$(1) K_q^\circ = e^{[.5\pi + (\pi/180)\phi]\tan\phi} \cos\phi \tan(45^\circ + .5\phi) - e^{-[.5\pi - (\pi/180)\phi]\tan\phi} \cos\phi \tan(45^\circ + .5\phi)$$

$$(2) K_C^\circ = [e^{[.5\pi + (\pi/180)\phi]\tan\phi} \cos\phi \tan(45^\circ + .5\phi) - 1] \cot\phi$$

$$(3) A = 1.58 + 4.09 \tan^4\phi$$

$$(4) B = [e^{\pi \tan\phi \tan^2(45^\circ + .5\phi)} - 1] \cot\phi$$

$$(5) K_O = 1 - \sin\phi$$

$$(6) K_C^\infty = (A)(B)$$

$$(7) K_q^\infty = (A)(B) K_O \tan\phi$$

$$(8) a_q = [K_q^\circ / (K_q^\infty - K_q^\circ)] [K_O \sin\phi / \sin(45^\circ + .5\phi)]$$

$$(9) a_c = [K_C^\circ / (K_C^\infty - K_C^\circ)] [2 \sin(45^\circ + .5\phi)]$$

$$(10) K_q^D = [K_q^\circ - K_q^\infty (a_q) (D/d)] / [1 + (a_q) (D/d)]$$

$$(11) K_C^D = [K_C^\circ + K_C^\infty (a_c) (D/d)] / [1 + a_c (D/d)]$$

$$(12) q = \gamma D_d + \gamma' D_s$$

$$(13) P_D = q K_q^D + C K_C^D$$

SAMPLE CALCULATIONS: HANSEN METHOD

Medium Dry Sand

Medium Dry Sand: $\gamma = 0.120$ kcf, $\phi = 33^\circ$, $C = n_h = 48.4$ kcf

Working Lateral Load, $P = 17.5$ kips

Height of P Acting Above Ground = 60.0 ft.

Use Overload Factor = 2.0

Ultimate Lateral Load = $17.5 \times 2.0 = 35.0$ kips

Ultimate Moment at Ground Line = $35 \times 60 = 2100.0$ k-ft.

$$A1 = .5\pi + (\phi\pi/180) = 2.14675498$$

$$A2 = .5\pi - (\phi\pi/180) = 0.99483767$$

$$e^{(A1)\tan\phi} = 4.03142127$$

$$-e^{-(A2)\tan\phi} = -0.52410924$$

$$\tan(45 + \phi/2) = 1.84177089$$

$$\tan(45 - \phi/2) = 0.54295570$$

$$1) K_q^\circ = 5.98843176$$

$$2) K_c^\circ = 8.04901376$$

$$3) A = 2.30743260$$

$$4) B = 28.63831029$$

$$5) K_o = 0.45536097$$

$$6) K_c^\infty = 89.15529677$$

$$7) K_q^\infty = 26.36454713$$

$$8) a_q = 0.08293881$$

$$9) a_c = 0.17442819$$

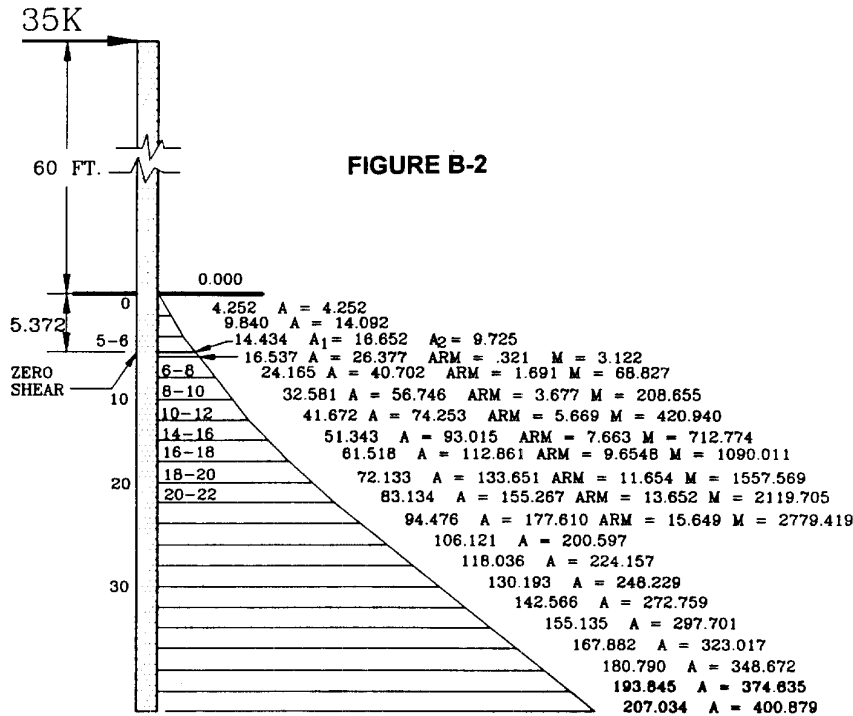
SAMPLE CALCULATIONS: HANSEN METHOD (Cont.) - Medium Dry Sand

Assume the pole is steel and the pole ground line diameter = 1.0 (M) ^{0.333}

DIAMETER(d)=1.0(35k x 60ft x12 in/ft) 2.43

DEPTH D	D/d	$K_q D$	$K_c D$	q (kcf)	p_D (ksf)	$dp(k/ft)$
0	0	5.968	8.05	0	0	0
2	0.823	7.266	18.2	0.24	1.75	4.25
4	1.646	8.408	26.1	0.48	4.05	9.84
6	2.469	9.422	32.5	0.72	6.81	16.5
8	3.292	10.33	37.6	0.96	9.94	24.2
10	4.115	11.14	41.9	1.2	13.4	32.6
12	4.938	11.88	45.6	1.44	17.1	41.7
14	5.761	12.54	48.7	1.68	21.1	51.3
16	6.584	13.15	51.4	1.92	25.3	61.5
18	7.407	13.71	53.8	2.16	29.7	72.1
20	8.23	14.22	55.9	2.4	34.2	83.1
22	9.053	14.69	57.7	2.64	38.9	94.5
24	9.877	15.13	59.4	2.88	43.7	106
26	10.7	15.54	60.9	3.12	48.6	118
28	11.52	15.91	62.2	3.36	53.6	130
30	12.35	16.26	63.4	3.6	58.7	143
32	13.17	16.59	64.6	3.84	63.8	155
34	13.99	16.9	65.6	4.08	69.1	168
36	14.81	17.19	66.5	4.32	74.4	181
38	15.64	17.46	67.4	4.56	79.8	194
40	16.46	17.72	68.2	4.8	85.2	207

SAMPLE CALCULATIONS: HANSEN METHOD (Cont.) - Medium Dry Sand



Point of Zero Shear

$$9.84y + 0.25(16.537 - 9.84)y^2 = 35 - 4.252 - 14.092$$

$$y^2 + 5.877y - 9.948 = 0$$

$$y = 1.372$$

$$\text{Zero Shear Distance from Ground} = 4.0 + 1.372 = 5.372'$$

Soil Load Ordinate at Point of Zero Shear:

$$9.84 + 1.372(16.537 - 9.84)/2.0 = 14.434$$

Moment at Point of Zero Shear:

$$35 \times 65.372 - 4.252(2/3 \times 3.372) - 4.252(1 + 1.372)2 - 5.588(2/3 + 1.372) - 9.840(1.372/2)^2 + 4.594/6 \times (1.372)^2 = 2228.58 \text{ kip-ft.}$$

*ARM tabulated above are distance from centroid to point of zero shear. Moments M are about point of zero shear.

SAMPLE CALCULATIONS: HANSEN METHOD (Cont.) - Medium Dry Sand

The summation of soil pressures below the point of zero shear must be equal to zero. The summation of moments of the soil pressures below the point of zero shear, about the point of zero shear, must equal the moment in the pole at the point of zero shear (2228.58 kip-ft. in this case).

<u>ZONE</u>	<u>AREA</u>	<u>MOMENT</u>	<u>ΣA</u>	<u>ΣM</u>
5-6	9.725	3.122	9.725	3.122
6-8	40.702	68.827	50.427	71.949
8-10	56.746	208.655	107.173	280.604
10-12	74.253	420.940	181.426	701.544
12-14	93.015	712.774	274.441	1414.318
14-16	112.861	1090.011	387.302	2504.329
16-18	133.651	1557.569	520.953	4061.898
18-20	155.267	2119.705	676.220	6181.603
20-22	177.610	2779.419	853.830	8961.022

First Trial: Depth = 20' (to bottom of zone 18-20)
as total area is 676.220, point of rotation (where $\Sigma A = 338.11$) is in zone 14-16, at about $(338110 - 274.441) / 112.861 = 0.564$ of zone depth. Say $M_1 = 1414.318 + 0.564 \times 1090.011 = 2029.233$ Say $M_2 = 6181.603 - 2029.233 = 4152.370$ $M_2 - M_1 = 2123.137 < 2228.580$. So 20.0' is not enough

Second Trial: Depth = 20.2' Ordinate = $83.134 + 0.2(94.476 - 83.134) / 2 = 84.268$
Area of zone 20-21, $A = (83.134 + 84.268) \times 0.5 \times 0.2 = 16.740$
 $ARM = 14.728$, $M = 246.550$
 $\Sigma A = 692.96$, $\Sigma M = 6428.153$
Point rotation, where $\Sigma A = 0.5 \times 692.960 = 346.480$ is in zone 14-16. $51.343y + 0.25(61.518 - 51.343)y^2 = 346.480 - 274.441$, $y = 1.317$
Ordinate = $51.343 + 1.317(61.518 - 51.343) / 2 = 58.043$
 $ARM = 9.300$, $A = 72.031$, $M = 669.881$,
 $\Sigma M = 2084.199$
 $M_1 = 2084.199$
 $M_2 = 6428.153 - 2084.199 = 4343.954$
 $M_2 - M_1 = 2259.76 > 2228.58$ so 20.2 is slightly too deep

SAMPLE CALCULATIONS: HANSEN METHOD (Cont.) - Medium Dry Sand

For Rotation and Deflection of the Pole, Assume an Embedment
Depth of 20.10 feet

$$n_h = 48.4 \text{ kcf}, E = 30000 \times 144 = 4,320,000 \text{ ksf}$$

$$I = \pi R^3 t = \pi d^3 t / 8$$

$$\text{when } d = 72t, I = \pi d^4 / 576$$

$$\text{say } EI = (4320.000) (2.43^4 \pi / 576) = 821554.0 \text{ k-ft.}^2$$

$$1/T = (n_h / EI)^{1/5} = (48.4 / 821554)^{1/5} = 0.143$$

$$\beta = D_e / T = (20.10) (0.143) = 2.8743$$

$$D_r / D_e = [(60 / 20.1) + 0.75] / [1.5(60 / 20.1) + 1] = 0.682$$

$$\text{Working Load } P = 17.5^k$$

$$Y_g = (3 \times 17.5 \times 0.682) / [48.4 \times (20.1)^2 \{ (1.5 \times 0.682) - 1 \}]$$
$$= 0.0796 \text{ ft.} = 0.96 \text{ in.}$$

$$\text{Rotation} = Y_g / D_r = 0.0796 / (0.682 \times 20.1) = 0.00581 \text{ rad.}$$
$$= 0.33 \text{ degrees}$$

NOTE: Had this problem been solved using the chart for medium dry sand, the embedment depth of a 2.4 ft. pier for 60 ft. x 35 kips = 2100 kip-feet is about 19.5 ft.

This illustrates the order of magnitude of the error in using the 20 kip charts for a load of 35 kips. The amount of error is negligible.

SAMPLE CALCULATIONS: HANSEN METHOD - STRATIFIED SOILS

Soil Parameters: Soft Dry Clay, Depth = 0-4'
 Medium Dry Sand, Depth = 4'-10'
 Medium Dry Clay, Depth = 10'-16'

Working Lateral Load, P = 17.5 kips
 Height of P Acting Above Ground = 60.0 ft.
 Use Overload Factor = 2.0
 Ultimate Lateral Load = 17.5 x 2.0 = 35.0 kips
 Ultimate Moment at Ground Line = 35 x 60 = 2100 k-ft.

Dry Soft Clay: $\gamma = 0.100$ kcf, $\phi = 0.001^\circ$, $c = 0.25$ ksf, $K = 100$
 ksf

(following parameters can be applied both to soft and medium clay)

$$A1 = (\pi/2) + (\pi\phi/180) = 1.570813780$$

$$A2 = (\pi/2) - (\pi\phi/180) = 1.570778874$$

$$e^{A1} \tan \phi = 1.000027416$$

$$-e^{-A2} \tan \phi = 0.999972585$$

$$\tan (45 + \phi/2) = 1.000017453$$

$$\tan (45 - \phi/2) = 0.999982547$$

$$1) K_q^\circ = 0.00089737$$

$$2) K_c^\circ = 2.570804331$$

$$3) A = 1.580000000$$

$$4) B = 5.141780549$$

$$5) K_o = 0.999982547$$

$$6) K_c^\infty = 8.124025125$$

$$7) K_q^\infty = 0.000141788$$

$$8) a_q^\circ = 0.000042552$$

$$9) a_c^\circ = 0.654700797$$

Note 1: ϕ is revised from 0° to $.001^\circ$ to keep Hansen's coefficients for K_c° and N_c from disappearing.

SAMPLE CALCULATIONS: HANSEN METHOD - STRATIFIED SOILS

Medium Dry Sand: $\gamma = 0.120$ kcf, $\phi = 33^\circ$, $c = 0$, $n_h = 48.4$ kcf

$$A1 = (\pi/2 +) \pi\phi/180 = 2.146754980$$

$$A2 = (\pi/2 -) \pi\phi/180 = 0.994837674$$

$$e^{(A1) \tan \phi} = 4.031421265$$

$$-e^{-(A2) \tan \phi} = 0.524109242$$

$$\tan (45 + \phi/2) = 1.841770886$$

$$\tan (45 - \phi/2) = 0.542955700$$

1) $K_q^\circ = 5.988431762$

2) $K_C^\circ = 8.049013758$

3) $A = 2.307432595$

4) $B = 38.63831030$

5) $K_O = 0.455360965$

6) $K_C^\infty = 89.15529660$

7) $K_q^\infty = 26.36454679$

8) $a_q^\circ = 0.082938806$

9) $a_C^\circ = 0.174428189$

SAMPLE CALCULATIONS: HANSEN METHOD - STRATIFIED SOILS

Medium Dry Sand: $\gamma = 0.085$ kcf, $\phi = 41^\circ$, $c = 0$, $n_h = 77.8$ kcf

$$A1 = \left(\frac{\pi}{2} + \right) \pi\phi/180 = 2.286381320$$

$$A2 = \left(\frac{\pi}{2} - \right) \pi\phi/180 = 0.855211334$$

$$e^{(A1) \tan \phi} = 7.297420715$$

$$-e^{-(A2) \tan \phi} = -0.475483133$$

$$\tan (45 + \phi/2) = 2.194299731$$

$$\tan (45 - \phi/2) = 0.455726256$$

1) $K_q^\circ = 11.92142133$

2) $K_c^\circ = 12.75178716$

3) $A = 3.915476618$

4) $B = 83.85828093$

5) $K_o = 0.343940971$

6) $K_{c^\infty} = 328.3451382$

7) $K_{q^\infty} = 98.16972110$

8) $a_q^\circ = 0.034275312$

9) $a_c^\circ = 0.073535342$

SAMPLE CALCULATIONS: HANSEN METHOD - STRATIFIED SOILS

Pole is steel and pole ground line diameter = 1.0 (M) ·³³³

B = 1.0(35^k x 60' x 12"/') ·³³³ = 29.22 inc. = 2.43 ft.

D	D/d	K _q ^D	K _c ^D	q(kcf)	P _D	d _{pD}
0	0.00	0.00009	2.57080	0.00	0.64270	1.56176
2	0.82305	0.00009	4.51534	0.2000	1.12885	2.74311
4	1.64609	0.00009	5.45125	0.4000	1.36285	3.31172
4	1.64609	8.43611	26.14175	0.4000	3.37444	8.1990
6	2.46914	9.45192	32.46485	0.64000	6.04923	14.69963
8	3.29218	10.35880	37.63468	0.88000	9.11574	22.15126
10	4.11523	11.17336	41.94040	1.12000	12.51416	30.40942
10	4.11523	0.00009	6.62082	1.12000	4.96572	12.06669
12	4.93827	0.00009	6.81217	1.36000	5.10925	12.41548
14	5.76132	0.00009	6.96030	1.60000	5.22037	12.68550
16	6.58436	0.00009	7.07838	1.84000	5.30895	12.90075
16	6.58436	27.80207	115.70742	1.84000	51.15581	124.30862
18	7.40741	29.38520	124.03875	2.01000	59.06425	143.52613
20	8.23045	30.89867	131.74184	2.18000	67.35910	163.68261
22	9.05350	32.34697	138.88516	2.3500	76.01538	184.71737
24	9.87654	33.73423	145.52760	2.52000	85.01026	206.57493
26	10.69959	35.06421	151.72004	2.69000	94.32272	229.20422
28	11.52263	36.34041	157.50673	2.86000	103.93357	252.55858
30	12.34568	37.5600	162.92627	3.03000	113.82498	276.59470
32	13.16872	38.74396	168.01253	3.2000	123.98067	301.27303
34	13.99177	39.87700	172.79535	3.37000	134.38549	326.55674
36	14.81481	40.96763	177.30107	3.54000	145.02541	352.41175
38	15.63786	42.01821	181.55312	3.71000	155.88756	378.80677
40	16.46091	43.03089	185.57232	3.88000	166.95985	405.71244
0.5	0.20576	0.00009	3.23008	0.05000	0.80752	1.96228
1.0	0.41152	0.00009	3.74943	0.10000	0.93737	2.27780
1.5	0.61728	0.00009	4.16912	0.15000	1.04229	2.53278
2.5	1.02881	0.00009	4.80582	0.25000	1.20148	2.91959
3.0	1.23457	0.00009	5.05302	0.30000	1.26328	3.06977
3.5	1.44033	0.00009	5.26594	0.35000	1.31652	3.19913

SAMPLE CALCULATIONS: HANSEN METHOD - STRATIFIED SOILS

35K
 60 FT.
 POINT OF ZERO SHEAR IS IN LAYER 6-8
 $14.69963y + .25(22.15126 - 14.69963)y^2 = 35 - 4.46265 - 6.10796 - 22.89533$
 $y = .10302$

SOIL LOAD ORDINATE AT POINT OF ZERO SHEAR

$$14.6993 + 0.10302(22.15126 - 14.69963)/2 = 15.08346$$

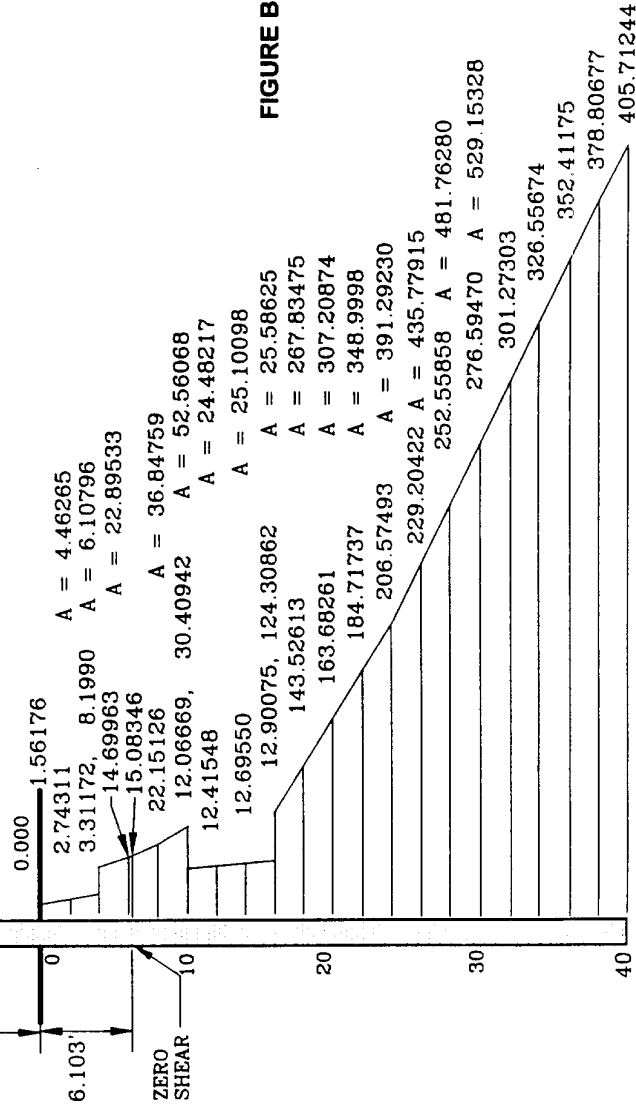


FIGURE B-3

SAMPLE CALCULATIONS: HANSEN METHOD - STRATIFIED SOILS

Moment at Point of Zero Shear

$$\begin{aligned}
35^k(60 + 6.103) &- 1.56176(.5)(5.853) - \frac{1}{2}(.5)(.40052)(5.770) \\
&- 1.96228(.5)(5.353) - \frac{1}{2}(.5)(.31552)(5.270) \\
&- 2.27780(.5)(4.853) - \frac{1}{2}(.5)(.25498)(4.770) \\
&- 2.53278(.5)(4.353) - \frac{1}{2}(.5)(.21033)(4.270) \\
&- 2.74311(.5)(3.853) - \frac{1}{2}(.5)(.17648)(3.770) \\
&- 2.91959(.5)(3.353) - \frac{1}{2}(.5)(.15018)(3.270) \\
&- 3.06977(.5)(2.853) - \frac{1}{2}(.5)(.11259)(2.270) \\
&- 8.19900(2)(1.103) - \frac{1}{2}(2)(6.50063)(.770) \\
&- 14.69963(.103)(.103/2) - \frac{1}{2}(.103)(.38383)(.103/3) \\
&= 2249.285 \text{ k-ft.}
\end{aligned}$$

The summation of soil pressures below the point of zero shear must equal zero. The summation of moments of the soil pressures below the point of zero shear, about the point of zero shear, must equal the moment in the pole at the point of zero shear.

<u>ZONE</u>	<u>AREA</u>	<u>MOMENT</u>	<u>Σ AREA</u>	<u>Σ MOMENT</u>
6.1-8	35.31713	35.61782	35.31713	35.61782
8-10	52.56068	155.01826	87.87781	190.63608
10-12	24.48217	120.00533	112.35998	310.64141
12-14	25.10098	173.21138	137.46096	483.85279
14-16	25.58625	227.71254	163.04721	711.56533
16-18	267.83475	2924.99470	430.88196	3636.56003
18-20	307.20874	3968.78323	738.09070	7605.34326
20-22	348.39998	5197.11908	1086.49068	12802.46234
22-24	391.29230	6618.94456	1477.78298	19421.40690
24-26	435.77915	8242.45415	1913.56213	27633.86105
26-28	481.76280	10075.17423	2395.32493	37739.03528
28-30	529.15328	12124.02668	2924.47821	49863.06196

SAMPLE CALCULATIONS: HANSEN METHOD - STRATIFIED SOILS

First Trial: Depth = 20'

As total area is 738.09070, point of rotation where

$\frac{1}{2} \Sigma A = 369.04535$ is in zone 16-18, at about $(369.04535 - 163.04721)/267.83475 = 0.76912$ of zone depth.

Say $M_1 = 71156533 + .76912(2924.99470) = 2961.24902$

$M_2 = 7605.34326 - 2961.24902 = 4644.09424$

$M_2 - M_1 = 1682.84522 < 2249.285$, too shallow.

Second Trial: Depth = 22'

As total area is 1086.49068, point of rotation where

$\frac{1}{2} \Sigma = 543.24534$ is in zone 18-20, at about $(543.24534 - 430.88196)/307.20874 = 0.36576$ of zone depth.

Say $M_1 = 3636.56003 + .36576(3968.78323) = 5088.16554$

$M_2 = 12,802.46234 - 5088.16554 = 7714.29681$

$M_2 - M_1 = 2626.13127 > 2249.285$, too deep.

Third Trial: Depth = 21.2'

Ordinate = $163.68261 + \frac{1}{2} (1.2) (18471737 - 163.68261) = 176.30347$
zone 20'-21.1'

Area = $163.68261(1.2) + \frac{1}{2} (1.2) (176.30347 - 163.68261) = 203.99165$

Moment = $163.68261(1.2) (14.497) + \frac{1}{2}(1.2) (12.62086) (14.697) = 2958.78143$

$\Sigma A = 738.09070 + 203.99165 = 942.08235$

$\Sigma M = 7605.34326 + 2958.78143 = 10,564.12469$

Point of rotation where $\frac{1}{2} \Sigma A = 471.04117$ is in zone 18-20

$143.52613 y + \frac{1}{2}(163.68261 - 143.52612)y^2 = 471.04117 - 430.88196$

$y = .27711$

SAMPLE CALCULATIONS: HANSEN METHOD - STRATIFIED SOILS

$$\text{Ordinate} = 143.52613 + \frac{1}{2} (0.27711) (20.15648) = 146.31889$$

$$\begin{aligned} \text{Moment} &= 143.52613 (.27711) (12.036) + \frac{1}{2} (.27711) (2.79276) (12.082) \\ &= 483.37716 \end{aligned}$$

$$\Sigma M = M_1 = 3636.56003 + 483.37716 = 4119.93719$$

$$M_2 = 10,564.12469 - 4119.93719 = 6444.18750$$

$$M_2 - M_1 = 2324.25031 > 2249.285, \text{ too deep.}$$

Fourth Trial: Depth = 21.1'

$$\text{Ordinate} = 163.68261 + \frac{1}{2} (1.1) (184.71737 - 163.68261) = 175.25173$$

zone 10-21.1

$$\text{Area} = 163.68261 + \frac{1}{2} (1.1) (175.25173 - 163.68261) = 186.41389$$

$$\begin{aligned} \text{Moment} &= 163.68261 (1.1) (14.447) + \frac{1}{2} (1.1) (11.569) (14.630) = \\ &2694.28586 \end{aligned}$$

$$\Sigma A = 738.09070 + 186.41389 = 924.50459$$

$$\Sigma M = 7605.34326 + 2694.28586 = 10,299.62912$$

Point of rotation where $\frac{1}{2} \Sigma A = 462.25229$ is in zone 18-20

$$143.52613 y + \frac{1}{2} (163.68261 - 143.52613) y^2 = 462.25229 - 430.88196$$

$$y = 0.21692$$

$$\text{Ordinate} = 143.52613 + \frac{1}{2} (0.21692) (20.15648) = 145.71227$$

$$\begin{aligned} \text{Moment} &= 143.52613 (2.692) (2.005) + \frac{1}{2} (.21692) (2.18614) (12.042) = \\ &376.61510 \end{aligned}$$

$$\Sigma M = M_1 = 3656.56003 + 376.61510 = 4033.17513$$

$$M_2 = 10,299.62912 - 4033.17513 = 6266.45399$$

$$M_2 - M_1 = 2233.27886 < 2249.285, \text{ too shallow.}$$

Say Depth between 21.1 to 21.2

SOIL PROPERTIES CORRELATION

SOIL DESCRIPTIONS	SOIL PARAMETERS									
	γ (KCF)	C (KCF)	ϕ (DEG.)	Se (LBS.)	n_h (KCF)	K (KSF)	Blows per ft.*	Probe torque (IN-LBS.)	γ (KCF)	C (KCF)
A. SAND										
LOOSE Dry	0.095	-	28.0	35.0	16.2	-	4	100.0 - 300.0		
Submerged	0.055	-	28.0	35.0	9.2	-	4			
MEDIUM Dry	0.120	-	33.0	70.0	48.4	-	20	300.0 - 500.0		
Submerged	0.065	-	33.0	70.0	32.8	-	20			
DENSE Dry	0.140	-	41.0	140.0	129.6	-	50	>500.0		
Submerged	0.085	-	41.0	140.0	77.8	-	50			
B. CLAY										
SOFT Dry	0.100	0.25	-	35.0	-	100.0	2	100 - 300.0		
Submerged	0.050	†	-	†	-	†	†	†		
MEDIUM Dry	0.120	0.75	-	70.0	-	200.0	6	300.0 - 500.0		
Submerged	0.060	†	-	†	-	†	†	†		
STIFF Dry	0.140	2.0	-	140.0	-	400.0	16	>500.0		
Submerged	.080	†	-	†	-	†	†	†		

* Standard Penetration Test - ASTM D-1586
 † Submergence as such does not affect the true cohesion of clays, (5) P. 127

Selected SI-Metric Conversions and Other Conversions

AREA

<u>To Convert From</u>	<u>To</u>	<u>Multiply by</u>	
circular mil (cmil)	square meter (m ²)	5.067075	E-10
square centimeter (cm ²)	square meter (m ²)	*1.000	E-04
square foot (ft ²)	square meter (m ²)	*9.290304	E-02
square inch (in ²)	square meter (m ²)	*6.451600	E-04
square kilometer (km ²)	square meter (m ²)	*1.000	E+06
square mile (mi ²)	square meter (m ²)	2.589988	E+06

FORCE

<u>To Convert From</u>	<u>To</u>	<u>Multiply by</u>	
kilogram force (kgf)	newton (N)	*9.806650	
kip	newton (N)	4.448222	E+03
pound force (lbf)	newton (N)	4.448222	

FORCE PER LENGTH

<u>To Convert From</u>	<u>To</u>	<u>Multiply by</u>	
kilogram force per meter (kgf/m)	newton per meter (N/m)	*9.806650	
pound per foot (lb/ft)	newton per meter (N/m)	1.459390	E+01

DENSITY

<u>To Convert From</u>	<u>To</u>	<u>Multiply by</u>	
pound per cubic inch (lb/in ³)	kilogram per cubic meter (kg/m ³)	2.767990	E+04
pound per cubic foot (lb/ft ³)	kilogram per cubic meter (kg/m ³)	1.601846	E+01

LENGTH

<u>To Convert From</u>	<u>To</u>	<u>Multiply by</u>	
foot (ft)	meter (m)	3.048	E-01
inch (in)	meter (m)	*2.540	E-02
kilometer (km)	meter (m)	*1.000	E+03
mile (mi)	meter (m)	*1.609344	E+03

LOAD CONCENTRATION

<u>To Convert From</u>	<u>To</u>	<u>Multiply by</u>
pound per square inch (lb/in ²)	kilogram per square meter (kg/m ²)	7.030696 E+02
pound per square foot (lb/ft ²)	kilogram per square meter (kg/m ²)	4.882428
ton per square foot (ton/ft ²)	kilogram per square meter (kg/m ²)	9.071847 E+02

MASS

<u>To Convert From</u>	<u>To</u>	<u>Multiply by</u>
pound (avoirdupois) (lb)	kilogram (kg)	4.534924 E-01

PRESSURE

<u>To Convert From</u>	<u>To</u>	<u>Multiply by</u>
kip per square inch (kip/in ²)	pascal (Pa)	6.894757 E+06
kip per square foot (kip/ft ²)	pascal (Pa)	4.788026 E+04
newton per square meter (N/m ²)	pascal (Pa)	*1.000
pound per square foot (lb/ft ²)	pascal (Pa)	4.788026 E+01
pound per square inch (lb/in ²)	pascal (Pa)	6.894757 E+03

BENDING MOMENT

<u>To Convert From</u>	<u>To</u>	<u>Multiply by</u>
kilogram force meter (kgf-m)	newton meter (N-m)	*9.806650
kip-foot (kip-ft)	newton meter (N-m)	1.355818
pound-foot (lb-ft)	newton meter (N-m)	1.355818

DEGREE/RADIANS

<u>To Convert From</u>	<u>To</u>	<u>Multiply by</u>
degree	radians	$\pi/180$
radians	degrees	57.3

*Exact Conversion

**THIS PAGE IS
INTENTIONALLY
BLANK**