

Call 1-800-275-6228 (ASK-NCAT) to order your copies today!



# The NCAT Guide to Efficient Irrigation

A take-to-the-field guide to help irrigators save water, energy, and money, from the National Center for Appropriate Technology.

- Exceedingly clear and detailed maintenance and troubleshooting procedures for pumps, motors, engines, control panels, and distribution systems
- Step-by-step guide to irrigation water management for sprinkler, surface, and micro-irrigation systems
- Irrigation guidelines for over 30 common crops
- Energy and water conservation tips and strategies
- 2006 edition, reviewed by experts in over 20 states
- 158 pages
- 44 diagrams and tables
- 14 pages of handy conversions and formulas
- Durable waterproof covers, plastic coil binding, 4"x 6 1/2"



Each Pocket Guide is two books in one: an Equipment Maintenance guide on one side and a Water Maintenance guide on the other side.

## Some Topics Covered

### Water Management

Soil Textures & Types  
Soil Moisture Monitoring  
Finding Net Water Application  
Measuring Flows  
Tracking Evapotranspiration  
Erosion Control Techniques  
Surface, Sprinkler, Micro-Irrigation  
Water Quality and Salinity

### Equipment Maintenance

Recommended Installations  
Electric Motor Maintenance  
Engine Maintenance  
Centrifugal Pump Maintenance  
Turbine Pump Maintenance  
Pump Troubleshooting Guide  
Sprinkler System Maintenance  
Causes of Wasted Energy

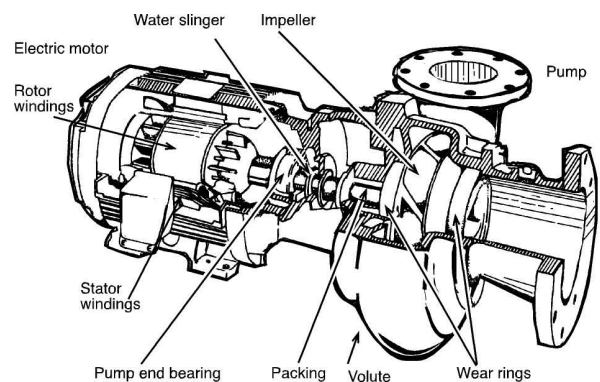
### Conversions & Formulas

Electrical Formulas  
Flow Rate Conversions  
Weight, Length, Area, Volume  
Estimating Pumping Plant Efficiency  
Maximum Flow Rates  
Head Losses  
Power Conversions

## Ordering Information

- Minimum order 20 books
- 20-79 books @ \$6.00 per book
- Over 80 books @ \$5.00 per book
- All prices including shipping & handling
- Payment by credit card or check to

**NCAT**  
**P.O. Box 3838**  
**Butte, MT 59702**



Centrifugal pump and electric motor

To order books, call NCAT:

**1-800-275-6228**