



U.S. Department
of Transportation
Federal Aviation
Administration

Advisory Circular

Subject: STANDARDS FOR SPECIFYING
CONSTRUCTION OF AIRPORTS

Date: 9/29/2007
Initiated by: AAS-100

AC No.: 150/5370-10C
Change:

1. PURPOSE. This advisory circular (AC) provides standards for the construction of airports. Items covered in this AC include general provisions, earthwork, flexible base courses, rigid base courses, flexible surface courses, rigid pavement, miscellaneous, fencing, drainage, turfing, and lighting installation.

2. APPLICATION. The Federal Aviation Administration (FAA) recommends the guidelines and standards in this AC for materials and methods used in the construction of airports. This AC does not constitute a regulation and in general is not mandatory. However, use of these guidelines is mandatory for airport construction funded under the Airport Improvement Program (AIP) or Passenger Facility Charge (PFC) Program. Mandatory terms such as “must” used herein apply only to those who undertake construction projects using AIP or PFC funds.

3. CANCELLATION. This AC cancels AC 150/5370-10B, *Standards for Specifying Construction of Airports*, dated April 25, 2005.

4. BACKGROUND. This revised AC incorporates complete updates to Items P-304 and P-306; changes to Items P-401, P-403, P-501, and P-620; and the errata sheet information for Item P-209. The updates to Items P-304 and P-306 as well as the New specification Item P-219 were the result of FAA funded research in cooperation with the Innovative Pavement Research Foundation.

5. PRINCIPAL CHANGES.

a. Paragraph 401-2.1 AGGREGATE has been changed to indicate combined materials are used to determine coarse and fine aggregates.

b. Table A, P-401 has been changed to allow the engineer to recommend more modified PG-binders.

c. Paragraph 401-3.2 JOB MIX FORMULA has been changed to eliminate the compressive test requirement.

d. Paragraph 401-5.1 ACCEPTANCE SAMPLING AND TESTING has been changed to require one theoretical maximum density test per subplot instead of two.

e. Table 5 and paragraph 401-8.1 PAYMENT have been changes to allow the engineer to choose new double-sided density criteria and pay factor equation.

f. Item P-304 CEMENT-TREATED BASE COURSE and Item P-306 ECONOCRETE BASE COURSE have been rewritten.

g. Item P-219 RECYCLED CONCRETE AGGREGATE BASE COURSE is new.

h. Paragraph 403-2.1 AGGREGATE has been changed to indicate combined materials are used to determine coarse and fine aggregates.

i. Table A, P-403, has been changed to allow the engineer to recommend more modified PG-binders.

j. 501-2.1a. Reactivity has been changed to require longer soaking of specimens using ASTM C 1260, *Standard Test Method for Potential Alkali Reactivity of Aggregates (Mortar-Bar Method)*. FAA Engineering Brief No. 70 is required when runway deicers are expected to be used on the pavement.

k. The FAA regional guidance references have been removed from Items P-401, P-403, and P-501.

l. Updated material references have been added to Item P-620 and airless equipment has been included.

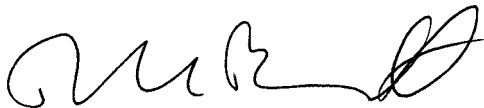
m. Paragraph L-108-2.2 has been revised to refer to AC 150/5345-7, *Specification for L-824 Underground Electrical Cable for Airport Lighting Circuits*, for all cable.

6. METRICS. To promote an orderly transition to metric units, this AC contains both English and metric dimensions. The metric conversions may not be exact metric equivalents, and until there is an official changeover to the metric system, the English dimensions will govern.

7. COMMENTS OR SUGGESTIONS. Send comments or suggestions for improving this AC to—

Manager, Airport Engineering Division
Federal Aviation Administration
ATTN: AAS-100
800 Independence Avenue, SW
Washington D.C. 20591

8. COPIES OF THIS AC. The Office of Airport Safety and Standards is in the process of making ACs available to the public online. These ACs can be found on the Federal Aviation Administration (FAA) website at http://www.faa.gov/airports_airtraffic/airports/resources/advisory_circulars/. A printed copy of this and other ACs can be ordered from the U.S. Department of Transportation, Subsequent Business Office, Anmore East Business Center, 3341 Q 75th Avenue, Landover, MD 20785.



David L. Bennett
Director of Airport Safety and Standards

TABLE OF CONTENTS

NOTICE TO USERS	v
PART I – GENERAL PROVISIONS	GP-1
SECTION 10 DEFINITION OF TERMS	GP-1
SECTION 20 PROPOSAL REQUIREMENTS AND CONDITIONS	GP-5
SECTION 30 AWARD AND EXECUTION OF CONTRACT	GP-8
SECTION 40 SCOPE OF WORK	GP-11
SECTION 50 CONTROL OF WORK	GP-15
SECTION 60 CONTROL OF MATERIALS	GP-23
SECTION 70 LEGAL REGULATIONS AND RESPONSIBILITY TO PUBLIC	GP-27
SECTION 80 PROSECUTION AND PROGRESS	GP-35
SECTION 90 MEASUREMENT AND PAYMENT	GP-43
SECTION 100 CONTRACTOR QUALITY CONTROL PROGRAM	GP-49
SECTION 110 METHOD OF ESTIMATING PERCENTAGE OF MATERIAL WITHIN SPECIFICATION LIMITS (PWL)	GP-55
SECTION 120 NUCLEAR GAGES	GP-61
PART II – EARTHWORK	P-101-1
ITEM P-101 SURFACE PREPARATION	P-101-1
ITEM P-151 CLEARING AND GRUBBING	P-151-1
ITEM P-152 EXCAVATION AND EMBANKMENT	P-152-1
ITEM P-153 CONTROLLED LOW-STRENGTH MATERIAL (CLSM)	P-153-1
ITEM P-154 SUBBASE COURSE	P-154-1
ITEM P-155 LIME-TREATED SUBGRADE	P-155-1
ITEM P-156 TEMPORARY AIR AND WATER POLLUTION, SOIL EROSION, AND SILTATION CONTROL	P-156-1
ITEM P-157 CEMENT KILN DUST (CKD) TREATED SUBGRADE	P-157-1
ITEM P-158 FLY ASH TREATED SUBGRADE	P-158-1
PART III – FLEXIBLE BASE COURSES	P-208-1
ITEM P-208 AGGREGATE BASE COURSE	P-208-1
ITEM P-209 CRUSHED AGGREGATE BASE COURSE	P-209-1
ITEM P-210 CALICHE BASE COURSE	P-210-1
ITEM P-211 LIME ROCK BASE COURSE	P-211-1
ITEM P-212 SHELL BASE COURSE	P-212-1
ITEM P-213 SAND-CLAY BASE COURSE	P-213-1
ITEM P-217 AGGREGATE-TURF PAVEMENT	P-217-1
ITEM P-219 RECYCLED CONCRETEAGGREGATE BASE COURSE	P-219-1
PART IV – RIGID BASE COURSES	P-301-1
ITEM P-301 SOIL-CEMENT BASE COURSE	P-301-1
ITEM P-304 CEMENT-TREATED BASE COURSE	P-304-1
ITEM P-306 ECONOCRETE BASE COURSE (Lean Mix Concrete Base Course)	P-306-1
PART V – FLEXIBLE SURFACE COURSES	P-401-1
ITEM P-401 PLANT MIX BITUMINOUS PAVEMENTS	P-401-1
ITEM P-402 POROUS FRICTION COURSE	P-402-1
ITEM P-403 PLANT MIX BITUMINOUS PAVEMENTS (Base, Leveling or Surface Course)	P-403-1
PART VI – RIGID PAVEMENT	P-501-1
ITEM P-501 PORTLAND CEMENT CONCRETE PAVEMENT	P-501-1
PART VII – MISCELLANEOUS	P-602-1
ITEM P-602 BITUMINOUS PRIME COAT	P-602-1
ITEM P-603 BITUMINOUS TACK COAT	P-603-1
ITEM P-604 COMPRESSION JOINT SEALS FOR CONCRETE PAVEMENTS	P-604-1

ITEM P-605	JOINT SEALING FILLER.....	P-605-1
ITEM P-606	ADHESIVE COMPOUNDS, TWO-COMPONENT FOR SEALING WIRE AND LIGHTS IN PAVEMENT	P-606-1
ITEM P-609	SEAL COATS AND BITUMINOUS SURFACE TREATMENTS.....	P-609-1
ITEM P-610	STRUCTURAL PORTLAND CEMENT CONCRETE.....	P-610-1
ITEM P-620	RUNWAY AND TAXIWAY PAINTING	P-620-1
ITEM P-626	EMULSIFIED ASPHALT SLURRY SEAL SURFACE TREATMENT.....	P-626-1
ITEM P-630	REFINED COAL TAR EMULSION WITHOUT ADDITIVES, SLURRY SEAL SURFACE TREATMENT	P-630-1
ITEM P-631	REFINED COAL TAR EMULSION WITH ADDITIVES, SLURRY SEAL SURFACE TREATMENT	P-631-1
PART VIII – FENCING		F-160-1
ITEM F-160	WIRE FENCE WITH WOOD POSTS (Classes A and B Fences)	F-160-1
ITEM F-161	WIRE FENCE WITH STEEL POSTS (Classes C and D Fences).....	F-161-1
ITEM F-162	CHAIN-LINK FENCES	F-162-1
ITEM F-163	WILDLIFE DETERRENT FENCE.....	F-163-1
PART IX – DRAINAGE		D-701-1
ITEM D-701	PIPE FOR STORM DRAINS AND CULVERTS	D-701-1
ITEM D-702	SLOTTED DRAINS	D-702-1
ITEM D-705	PIPE UNDERDRAINS FOR AIRPORTS	D-705-1
ITEM D-751	MANHOLES, CATCH BASINS, INLETS AND INSPECTION HOLES	D-751-1
ITEM D-752	CONCRETE CULVERTS, HEADWALLS, AND MISCELLANEOUS	D-752-1
ITEM D-754	CONCRETE GUTTERS, DITCHES, AND FLUMES.....	D-754-1
PART X – TURFING.....		T-901-1
ITEM T-901	SEEDING	T-901-1
ITEM T-903	SPRIGGING.....	T-903-1
ITEM T-904	SODDING	T-904-1
ITEM T-905	TOPSOILING.....	T-905-1
ITEM T-907	TILLING	T-907-1
ITEM T-908	MULCHING.....	T-908-1
PART XI – LIGHTING INSTALLATION.....		L-101-1
ITEM L-101	AIRPORT ROTATING BEACONS	L-101-1
ITEM L-102	HAZARD BEACON	L-102-1
ITEM L-103	AIRPORT BEACON TOWERS.....	L-103-1
ITEM L-107	AIRPORT 8-FOOT AND 12-FOOT WIND CONES	L-107-1
ITEM L-108	UNDERGROUND POWER CABLE FOR AIRPORTS.....	L-108-1
ITEM L-109	AIRPORT TRANSFORMER VAULT AND VAULT EQUIPMENT	L-109-1
ITEM L-110	AIRPORT UNDERGROUND ELECTRICAL DUCT BANKS AND CONDUITS...L-110-1	
ITEM L-115	ELECTRICAL MANHOLES AND JUNCTION STRUCTURES.....	L-115-1
ITEM L-119	AIRPORT OBSTRUCTION LIGHTS	L-119-1

NOTICE TO USERS

Projects funded under the Airport Improvement Program (AIP) must be developed in accordance with the policies, standards, and specifications approved by the Secretary, Department of Transportation. The standards contained in this advisory circular (AC) relate to materials and methods used in the construction of airports.

To the Airport Owner—This AC is required as part of your grant agreement. The plans and specifications that will result from this AC will be part of the construction agreement.

To the Consultant—This AC is required for the project as part of the grant assurances. The plans and specifications that will result from this AC are part of the project and are also required for the grant assurances.

Since it is not feasible to provide construction specifications that can be applied to all geographical areas of the United States, its territories and possessions, the guide specifications in this AC should be used in developing project specifications. The verbatim incorporation of these standards in contract specifications is not practical because of the numerous decisions that must be made by the Engineer regarding local materials, methods, and requirements. For this reason, the notes (shown between lines of asterisks) elaborate on the options available to the Engineer when preparing a specification and to ensure that sound engineering judgment is applied.

Appropriate changes and additions required by the notes must be made. Where numbers, words, phrases or sentences are enclosed in brackets [], a choice or modification must be made. Where blank spaces [] occur in sentences, the appropriate data must be inserted. Where entire paragraphs are not applicable, they should be deleted. Additional sentences may be added if necessary. The final project specifications shall not include notes to the Engineer.

The standards should be used to develop construction specifications for either (1) a particular state, or (2) an individual project. They will not be made a part of a contract merely by reference. Pertinent portions should be copied verbatim into the contract documents.

For state specifications, the necessary choices and engineering judgments should be made to develop the standards into specifications for a particular state. On approval by the FAA, these state specifications may be incorporated in construction contracts by reference. The state specifications must be readily available to all parties interested in such contracts.

For individual projects, construction specifications may be produced by making the necessary choices and engineering judgments and developing the standards into specifications for a particular project.

FAA Airports field representatives, designated by regional offices, have the authority to approve modifications to standards contained in this AC if the modifications provide acceptable levels of safety, economy, durability, and workmanship and are necessary to meet local conditions. When preparing construction contracts for AIP projects, the user should contact these FAA representatives to obtain the mandatory provisions (wage, labor, EEO, etc.) that must be included in all AIP contract proposals. Additional contract clauses may be required to comply with local and state laws relating to advertising, awarding, and administering construction contracts.

The Office of Airport Safety and Standards is in the process of making ACs available to the public through the Internet. These ACs may be found on the Federal Aviation Administration (FAA) website at http://www.faa.gov/airports_airtraffic/airports/resources/advisory_circulars/. A printed copy of this and other ACs can be ordered from the U.S. Department of Transportation, Subsequent Business Office, Anmore East Business Center, 3341 Q 75th Avenue, Landover, Maryland, 20785.

Intentionally Left Blank

PART I – GENERAL PROVISIONS
SECTION 10
DEFINITION OF TERMS

Whenever the following terms are used in these specifications, in the contract, or in any documents or other instruments pertaining to construction where these specifications govern, the intent and meaning shall be interpreted as follows:

10-01 AASHTO. The American Association of State Highway and Transportation Officials, the successor association to AASHO.

10-02 ACCESS ROAD. The right-of-way, the roadway and all improvements constructed thereon connecting the airport to a public highway.

10-03 ADVERTISEMENT. A public announcement, as required by local law, inviting bids for work to be performed and materials to be furnished.

10-04 AIP. The Airport Improvement Program, a grant-in-aid program, administered by the Federal Aviation Administration.

10-05 AIR OPERATIONS AREA. For the purpose of these specifications, the term air operations area shall mean any area of the airport used or intended to be used for the landing, takeoff, or surface maneuvering of aircraft. An air operation area shall include such paved or unpaved areas that are used or intended to be used for the unobstructed movement of aircraft in addition to its associated runway, taxiway, or apron.

10-06 AIRPORT. Airport means an area of land or water which is used or intended to be used for the landing and takeoff of aircraft; an appurtenant area used or intended to be used for airport buildings or other airport facilities or rights of way; and airport buildings and facilities located in any of these areas, and includes a heliport.

10-07 ASTM. The American Society for Testing and Materials.

10-08 AWARD. The acceptance, by the Owner, of the successful bidder's proposal.

10-09 BIDDER. Any individual, partnership, firm, or corporation, acting directly or through a duly authorized representative, who submits a proposal for the work contemplated.

10-10 BUILDING AREA. An area on the airport to be used, considered, or intended to be used for airport buildings or other airport facilities or rights-of-way together with all airport buildings and facilities located thereon.

10-11 CALENDAR DAY. Every day shown on the calendar.

10-12 CHANGE ORDER. A written order to the Contractor covering changes in the plans, specifications, or proposal quantities and establishing the basis of payment and contract time adjustment, if any, for the work affected by such changes. The work, covered by a change order, shall be within the scope of the contract.

10-13 CONTRACT. The written agreement covering the work to be performed. The awarded contract shall include, but is not limited to: The Advertisement; The Contract Form; The Proposal; The Performance Bond; The Payment Bond; any required insurance certificates; The Specifications; The Plans, and any addenda issued to bidders.

10-14 CONTRACT ITEM (PAY ITEM). A specific unit of work for which a price is provided in the contract.

10-15 CONTRACT TIME. The number of calendar days or working days, stated in the proposal, allowed for completion of the contract, including authorized time extensions. If a calendar date of completion is stated in the proposal, in lieu of a number of calendar or working days, the contract shall be completed by that date.

10-16 CONTRACTOR. The individual, partnership, firm, or corporation primarily liable for the acceptable performance of the work contracted and for the payment of all legal debts pertaining to the work who acts directly or through lawful agents or employees to complete the contract work.

10-17 DRAINAGE SYSTEM. The system of pipes, ditches, and structures by which surface or subsurface waters are collected and conducted from the airport area.

10-18 ENGINEER. The individual, partnership, firm, or corporation duly authorized by the Owner to be responsible for engineering inspection of the contract work and acting directly or through an authorized representative.

10-19 EQUIPMENT. All machinery, together with the necessary supplies for upkeep and maintenance, and also all tools and apparatus necessary for the proper construction and acceptable completion of the work.

10-20 EXTRA WORK. An item of work not provided for in the awarded contract as previously modified by change order or supplemental agreement, but which is found by the Engineer to be necessary to complete the work within the intended scope of the contract as previously modified.

10-21 FAA. The Federal Aviation Administration of the U.S. Department of Transportation. When used to designate a person, FAA shall mean the Administrator or his/her duly authorized representative.

10-22 FEDERAL SPECIFICATIONS. The Federal Specifications and Standards, Commercial Item Descriptions, and supplements, amendments, and indices thereto are prepared and issued by the General Services Administration of the Federal Government.

10-23 FORCE ACCOUNT. Force account construction work is construction that is accomplished through the use of material, equipment, labor, and supervision provided by the Owner or by another public agency pursuant to an agreement with the Owner.

10-24 INSPECTOR. An authorized representative of the Engineer assigned to make all necessary inspections and/or tests of the work performed or being performed, or of the materials furnished or being furnished by the Contractor.

10-25 INTENTION OF TERMS. Whenever, in these specifications or on the plans, the words "directed," "required," "permitted," "ordered," "designated," "prescribed," or words of like import are used, it shall be understood that the direction, requirement, permission, order, designation, or prescription of the Engineer is intended; and similarly, the words "approved," "acceptable," "satisfactory," or words of like import, shall mean approved by, or acceptable to, or satisfactory to the Engineer, subject in each case to the final determination of the Owner.

Any reference to a specific requirement of a numbered paragraph of the contract specifications or a cited standard shall be interpreted to include all general requirements of the entire section, specification item, or cited standard that may be pertinent to such specific reference.

10-26 LABORATORY. The official testing laboratories of the Owner or such other laboratories as may be designated by the Engineer.

10-27 LIGHTING. A system of fixtures providing or controlling the light sources used on or near the airport or within the airport buildings. The field lighting includes all luminous signals, markers, floodlights, and illuminating devices used on or near the airport or to aid in the operation of aircraft landing at, taking off from, or taxiing on the airport surface.

10-28 MAJOR AND MINOR CONTRACT ITEMS. A major contract item shall be any item that is listed in the proposal, the total cost of which is equal to or greater than 20 percent of the total amount of the award contract. All other items shall be considered minor contract items.

10-29 MATERIALS. Any substance specified for use in the construction of the contract work.

10-30 NOTICE TO PROCEED. A written notice to the Contractor to begin the actual contract work on a previously agreed to date. If applicable, the Notice to Proceed shall state the date on which the contract time begins.

10-31 OWNER. The term "Owner" shall mean the party of the first part or the contracting agency signatory to the contract. For AIP contracts, the term "sponsor" shall have the same meaning as the term "Owner." Where the term "Owner" is capitalized in this document, it shall mean airport owner or sponsor only.

10-32 PAVEMENT. The combined surface course, base course, and subbase course, if any, considered as a single unit.

10-33 PAYMENT BOND. The approved form of security furnished by the Contractor and his/her surety as a guaranty that he will pay in full all bills and accounts for materials and labor used in the construction of the work.

10-34 PERFORMANCE BOND. The approved form of security furnished by the Contractor and his/her surety as a guaranty that the Contractor will complete the work in accordance with the terms of the contract.

10-35 PLANS. The official drawings or exact reproductions which show the location, character, dimensions and details of the airport and the work to be done and which are to be considered as a part of the contract, supplementary to the specifications.

10-36 PROJECT. The agreed scope of work for accomplishing specific airport development with respect to a particular airport.

10-37 PROPOSAL. The written offer of the bidder (when submitted on the approved proposal form) to perform the contemplated work and furnish the necessary materials in accordance with the provisions of the plans and specifications.

10-38 PROPOSAL GUARANTY. The security furnished with a proposal to guarantee that the bidder will enter into a contract if his/her proposal is accepted by the Owner.

10-39 RUNWAY. The area on the airport prepared for the landing and takeoff of aircraft.

10-40 SPECIFICATIONS. A part of the contract containing the written directions and requirements for completing the contract work. Standards for specifying materials or testing which are cited in the contract specifications by reference shall have the same force and effect as if included in the contract physically.

10-41 SPONSOR. See definition above of "Owner."

10-42 STRUCTURES. Airport facilities such as bridges; culverts; catch basins, inlets, retaining walls, cribbing; storm and sanitary sewer lines; water lines; underdrains; electrical ducts, manholes, handholes, lighting fixtures and bases; transformers; flexible and rigid pavements; navigational aids; buildings; vaults; and, other manmade features of the airport that may be encountered in the work and not otherwise classified herein.

10-43 SUBGRADE. The soil that forms the pavement foundation.

10-44 SUPERINTENDENT. The Contractor's executive representative who is present on the work during progress, authorized to receive and fulfill instructions from the Engineer, and who shall supervise and direct the construction.

10-45 SUPPLEMENTAL AGREEMENT. A written agreement between the Contractor and the Owner covering (1) work that would increase or decrease the total amount of the awarded contract, or any major contract item, by more than 25 percent, such increased or decreased work being within the scope of the originally awarded contract; or (2) work that is not within the scope of the originally awarded contract.

10-46 SURETY. The corporation, partnership, or individual, other than the Contractor, executing payment or performance bonds that are furnished to the Owner by the Contractor.

10-47 TAXIWAY. For the purpose of this document, the term taxiway means the portion of the air operations area of an airport that has been designated by competent airport authority for movement of aircraft to and from the airport's runways or aircraft parking areas.

10-48 WORK. The furnishing of all labor, materials, tools, equipment, and incidentals necessary or convenient to the Contractor's performance of all duties and obligations imposed by the contract, plans, and specifications.

10-49 WORKING DAY. A working day shall be any day other than a legal holiday, Saturday, or Sunday on which the normal working forces of the Contractor may proceed with regular work for at least 6 hours toward completion of the contract when work is suspended for causes beyond the Contractor's control, Saturdays, Sundays and holidays on which the Contractor's forces engage in regular work, requiring the presence of an inspector, will be considered as working days.

END OF SECTION 10

**SECTION 20
PROPOSAL REQUIREMENTS AND CONDITIONS**

20-01 ADVERTISEMENT (Notice to Bidders).

The Owner, or his/her authorized agent, shall publish the advertisement at such places and at such times as are required by local law or ordinances. The published advertisement shall state the time and place for submitting sealed proposals; a description of the proposed work; instructions to bidders as to obtaining proposal forms, plans, and specifications; proposal guaranty required; and the Owner's right to reject any and all bids.

20-02 PREQUALIFICATION OF BIDDERS. Each bidder shall furnish the owner satisfactory evidence of his/her competency to perform the proposed work. Such evidence of competency, unless otherwise specified, shall consist of statements covering the bidder's past experience on similar work, a list of equipment that would be available for the work, and a list of key personnel that would be available. In addition, each bidder shall furnish the owner satisfactory evidence of his/her financial responsibility. Such evidence of financial responsibility, unless otherwise specified, shall consist of a confidential statement or report of the bidder's financial resources and liabilities as of the last calendar year or the Contractor's last fiscal year. Such statements or reports shall be certified by a public accountant. At the time of submitting such financial statements or reports, the bidder shall further certify whether his/her financial responsibility is approximately the same as stated or reported by the public accountant. If the bidder's financial responsibility has changed, the bidder shall qualify the public accountant's statement or report to reflect his/her (bidder's) true financial condition at the time such qualified statement or report is submitted to the Owner.

Unless otherwise specified, a bidder may submit evidence that he is prequalified with the State Highway Division and is on the current "bidder's list" of the state in which the proposed work is located. Such evidence of State Highway Division prequalification may be submitted as evidence of financial responsibility in lieu of the certified statements or reports hereinbefore specified.

Each bidder shall submit "evidence of competency" and "evidence of financial responsibility" to the Owner at the time of bid opening.

20-03 CONTENTS OF PROPOSAL FORMS. The Owner shall furnish bidders with proposal forms. All papers bound with or attached to the proposal forms are necessary parts and must not be detached.

The plans specifications, and other documents designated in the proposal form shall be considered a part of the proposal whether attached or not.

The proposal forms that are to be furnished to bidders should state the location and description of the proposed construction, the place, date, and time of opening of the proposals, and should show the estimated quantities of the various items of work to be performed and materials to be furnished for which unit bid prices are asked. The proposal form shall state the time in which the work must be completed, and the amount of the proposal guaranty that must accompany the proposal. Should the Owner require a prebid conference, the time, date, and place shall be stated in the proposal.

For AIP contracts, the proposal shall conform to the requirements of local laws and ordinances pertaining to letting of contracts.

20-04 ISSUANCE OF PROPOSAL FORMS. The Owner reserves the right to refuse to issue a proposal form to a prospective bidder should such bidder be in default for any of the following reasons:

- a. Failure to comply with any prequalification regulations of the Owner, if such regulations are cited, or otherwise included, in the proposal as a requirement for bidding.
- b. Failure to pay, or satisfactorily settle, all bills due for labor and materials on former contracts in force (with the Owner) at the time the Owner issues the proposal to a prospective bidder.
- c. Contractor default under previous contracts with the Owner.
- d. Unsatisfactory work on previous contracts with the Owner.

20-05 INTERPRETATION OF ESTIMATED PROPOSAL QUANTITIES. An estimate of quantities of work to be done and materials to be furnished under these specifications is given in the proposal. It is the result of careful calculations and is believed to be correct. It is given only as a basis for comparison of proposals and the award of the contract. The Owner does not expressly or by implication agree that the actual quantities involved will correspond exactly therewith; nor shall the bidder plead misunderstanding or deception because of such estimates of quantities, or of the character, location, or other conditions pertaining to the work. Payment to the Contractor will be made only for the actual quantities of work performed or materials furnished in accordance with the plans and specifications. It is understood that the quantities may be increased or decreased as hereinafter provided in the subsection titled ALTERATION OF WORK AND QUANTITIES of Section 40 without in any way invalidating the unit bid prices.

Mobilization may be paid for as a separate bid item or included in the unit prices for all other items. Ensure the proposal form and contract documents indicate how mobilization is to be paid for.

Implementation of the safety plan is to be included in other bid items.

20-06 EXAMINATION OF PLANS, SPECIFICATIONS, AND SITE. The bidder is expected to carefully examine the site of the proposed work, the proposal, plans specifications, and contract forms. He shall satisfy himself as to the character, quality, and quantities of work to be performed, materials to be furnished, and as to the requirements of the proposed contract. The submission of a proposal shall be prima facie evidence that the bidder has made such examination and is satisfied as to the conditions to be encountered in performing the work and as to the requirements of the proposed contract, plans, and specifications.

Boring logs and other records of subsurface investigations and tests are available for inspection of bidders. It is understood and agreed that such subsurface information, whether included in the plans, specifications, or otherwise made available to the bidder, was obtained and is intended for the Owner's design and estimating purposes only. Such information has been made available for the convenience of all bidders. It is further understood and agreed that each bidder is solely responsible for all assumptions, deductions, or conclusions which he may make or obtain from his/her examination of the boring logs and other records of subsurface investigations and tests that are furnished by the Owner.

20-07 PREPARATION OF PROPOSAL. The bidder shall submit his/her proposal on the forms furnished by the Owner. All blank spaces in the proposal forms must be correctly filled in where indicated for each and every item

for which a quantity is given. The bidder shall state the price (written in ink or typed) both in words and numerals for which he proposes to do each pay item furnished in the proposal. In case of conflict between words and numerals, the words, unless obviously incorrect, shall govern.

The bidder shall sign his/her proposal correctly and in ink. If the proposal is made by an individual, his/her name and post office address must be shown. If made by a partnership, the name and post office address of each member of the partnership must be shown. If made by a corporation, the person signing the proposal shall give the name of the state under the laws of which the corporation was chartered and the name, titles, and business address of the president, secretary, and the treasurer. Anyone signing a proposal as an agent shall file evidence of his/her authority to do so and that the signature is binding upon the firm or corporation.

20-08 IRREGULAR PROPOSALS. Proposals shall be considered irregular for the following reasons:

A definition of responsive and responsible bid as defined in federal acquisition regulations should be included in this section.

- a. If the proposal is on a form other than that furnished by the Owner, or if the Owner's form is altered, or if any part of the proposal form is detached.
- b. If there are unauthorized additions, conditional or alternate pay items, or irregularities of any kind that make the proposal incomplete, indefinite, or otherwise ambiguous.
- c. If the proposal does not contain a unit price for each pay item listed in the proposal, except in the case of authorized alternate pay items, for which the bidder is not required to furnish a unit price.
- d. If the proposal contains unit prices that are obviously unbalanced.
- e. If the proposal is not accompanied by the proposal guaranty specified by the Owner.

The Owner reserves the right to reject any irregular proposal and the right to waive technicalities if such waiver is in the best interest of the Owner and conforms to local laws and ordinances pertaining to the letting of construction contracts.

20-09 BID GUARANTEE. Each separate proposal shall be accompanied by a certified check, or other specified acceptable collateral, in the amount specified in the proposal form. Such check, or collateral, shall be made payable to the Owner.

49 CFR Part 18 provides that for contracts exceeding \$100,000, the Owner should use local bonding policy and requirements provided that the FAA has made a determination that the Government's interest is adequately protected. If such a determination has not been made, the bid guarantee shall be equivalent to five percent of the bid price. It shall consist of a firm commitment such as a bid bond, certified check, or other negotiable instrument accompanying a bid as assurance that the bidder will, upon acceptance of the bid, execute such contractual documents as may be required within the time specified.

20-10 DELIVERY OF PROPOSAL. Each proposal submitted shall be placed in a sealed envelope plainly marked with the project number, location of airport, and name and business address of the bidder on the outside. When sent by mail, preferably registered, the sealed proposal, marked as indicated above, should be enclosed in an

additional envelope. No proposal will be considered unless received at the place specified in the advertisement before the time specified for opening all bids. Proposals received after the bid opening time shall be returned to the bidder unopened.

20-11 WITHDRAWAL OR REVISION OF PROPOSALS. A bidder may withdraw or revise (by withdrawal of one proposal and submission of another) a proposal provided that the bidder's request for withdrawal is received by the Owner in writing or by telegram before the time specified for opening bids. Revised proposals must be received at the place specified in the advertisement before the time specified for opening all bids.

20-12 PUBLIC OPENING OF PROPOSALS. Proposals shall be opened, and read, publicly at the time and place specified in the advertisement. Bidders, their authorized agents, and other interested persons are invited to attend. Proposals that have been withdrawn (by written or telegraphic request) or received after the time specified for opening bids shall be returned to the bidder unopened.

20-13 DISQUALIFICATION OF BIDDERS. A bidder shall be considered disqualified for any of the following reasons:

a. Submitting more than one proposal from the same partnership, firm, or corporation under the same or different name.

b. Evidence of collusion among bidders. Bidders participating in such collusion shall be disqualified as bidders for any future work of the Owner until any such participating bidder has been reinstated by the Owner as a qualified bidder.

c. If the bidder is considered to be in "default" for any reason specified in the subsection titled ISSUANCE OF PROPOSAL FORMS of this section.

END OF SECTION 20

**SECTION 30
AWARD AND EXECUTION OF CONTRACT**

30-01 CONSIDERATION OF PROPOSALS. After the proposals are publicly opened and read, they will be compared on the basis of the summation of the products obtained by multiplying the estimated quantities shown in the proposal by the unit bid prices. If a bidder's proposal contains a discrepancy between unit bid prices written in words and unit bid prices written in numbers, the unit price written in words shall govern.

Until the award of a contract is made, the Owner reserves the right to reject a bidder's proposal for any of the following reasons:

- a. If the proposal is irregular as specified in the subsection titled IRREGULAR PROPOSALS of Section 20.
- b. If the bidder is disqualified for any of the reasons specified in the subsection titled DISQUALIFICATION OF BIDDERS of Section 20.

In addition, until the award of a contract is made, the Owner reserves the right to reject any or all proposals, waive technicalities, if such waiver is in the best interest of the Owner and is in conformance with applicable state and local laws or regulations pertaining to the letting of construction contracts; advertise for new proposals; or proceed with the work otherwise. All such actions shall promote the Owner's best interests.

30-02 AWARD OF CONTRACT. The award of a contract, if it is to be awarded, shall be made within [] calendar days of the date specified for publicly opening proposals, unless otherwise specified herein.

The award of contract is recommended to be made within 30 days, but shall not exceed 120 days, in cases where AIP funds are not projected to be available within the 30 days of bid acceptance.

Award of the contract shall be made by the Owner to the lowest, qualified bidder whose proposal conforms to the cited requirements of the Owner.

For AIP contracts, unless otherwise specified in this subsection, no award shall be made until the FAA has concurred in the Owner's recommendation to make such award and has approved the Owner's proposed contract to the extent that such concurrence and approval are required by 49 CFR Part 18.

30-03 CANCELLATION OF AWARD. The Owner reserves the right to cancel the award without liability to the bidder, except return of proposal guaranty, at any time before a contract has been fully executed by all parties and is approved by the Owner in accordance with the subsection titled APPROVAL OF CONTRACT of this section.

30-04 RETURN OF PROPOSAL GUARANTY. All proposal guaranties, except those of the two lowest bidders, will be returned immediately after the Owner has made a comparison of bids as hereinbefore specified in the subsection titled CONSIDERATION OF PROPOSALS of this section. Proposal guaranties of the two lowest bidders will be retained by the Owner until such time as an award is made, at which time, the unsuccessful bidder's proposal guaranty will be returned. The successful bidder's proposal guaranty will be returned as soon as the Owner receives the contracts bonds as specified in the subsection titled REQUIREMENTS OF CONTRACT BONDS of this section.

30-05 REQUIREMENTS OF CONTRACT BONDS. At the time of the execution of the contract, the successful bidder shall furnish the Owner a surety bond or bonds that have been fully executed by the bidder and the surety guaranteeing the performance of the work and the payment of all legal debts that may be incurred by reason of the Contractor's performance of the work. The surety and the form of the bond or bonds shall be acceptable to the Owner. Unless otherwise specified in this subsection, the surety bond or bonds shall be in a sum equal to the full amount of the contract.

49 CFR Part 18 provides that recipients of AIP contracts (i.e., the Owner or Sponsor) awarded in excess of \$100,000 should use local bonding policy and requirements provided that the FAA has made a determination that the Government's interest is adequately protected. If such a determination has not been made, the performance and payment bonds shall be in the full amount of the awarded contract. For AIP contracts awarded in an amount of \$100,000 or less, the owner should specify bonding in accordance with local requirements.

30-06 EXECUTION OF CONTRACT. The successful bidder shall sign (execute) the necessary agreements for entering into the contract and return such signed contract to the owner, along with the fully executed surety bond or bonds specified in the subsection titled REQUIREMENTS OF CONTRACT BONDS of this section, within 15 calendar days from the date mailed or otherwise delivered to the successful bidder. If the contract is mailed, special handling is recommended.

49 CFR Part 26 provides that each contract the owner signs with a contractor (and each subcontract the prime contractor signs with a subcontractor) shall include the following assurance:

The contractor, sub-recipient or subcontractor shall not discriminate on the basis of race, color, national origin, or sex in the performance of this contract. The contractor shall carry out applicable requirements of 49 CFR Part 26 in the award and administration of Department of Transportation (DOT) assisted contracts. Failure by the contractor to carry out these requirements is a material breach of this contract, which may result in the termination of this contract or such other remedy as the recipient deems appropriate.

30-07 APPROVAL OF CONTRACT. Upon receipt of the contract and contract bond or bonds that have been executed by the successful bidder, the Owner shall complete the execution of the contract in accordance with local laws or ordinances, and return the fully executed contract to the Contractor. Delivery of the fully executed contract to the Contractor shall constitute the Owner's approval to be bound by the successful bidder's proposal and the terms of the contract.

30-08 FAILURE TO EXECUTE CONTRACT. Failure of the successful bidder to execute the contract and furnish an acceptable surety bond or bonds within the 15 calendar day period specified in the subsection titled REQUIREMENTS OF CONTRACT BONDS of this section shall be just cause for cancellation of the award and forfeiture of the proposal guaranty, not as a penalty, but as liquidation of damages to the Owner.

END OF SECTION 30

**SECTION 40
SCOPE OF WORK**

40-01 INTENT OF CONTRACT. The intent of the contract is to provide for construction and completion, in every detail, of the work described. It is further intended that the Contractor shall furnish all labor, materials, equipment, tools, transportation, and supplies required to complete the work in accordance with the plans, specifications, and terms of the contract.

40-02 ALTERATION OF WORK AND QUANTITIES. The owner reserves and shall have the right to make such alterations in the work as may be necessary or desirable to complete the work originally intended in an acceptable manner. Unless otherwise specified herein, the Engineer shall be and is hereby authorized to make such alterations in the work as may increase or decrease the originally awarded contract quantities, provided that the aggregate of such alterations does not change the total contract cost or the total cost of any major contract item by more than 25 percent (total cost being based on the unit prices and estimated quantities in the awarded contract). Alterations that do not exceed the 25 percent limitation shall not invalidate the contract nor release the surety, and the Contractor agrees to accept payment for such alterations as if the altered work had been a part of the original contract. These alterations that are for work within the general scope of the contract shall be covered by "Change Orders" issued by the Engineer. Change orders for altered work shall include extensions of contract time where, in the Engineer's opinion, such extensions are commensurate with the amount and difficulty of added work.

Should the aggregate amount of altered work exceed the 25 percent limitation hereinbefore specified, such excess altered work shall be covered by supplemental agreement. If the owner and the Contractor are unable to agree on a unit adjustment for any contract item that requires a supplemental agreement, the owner reserves the right to terminate the contract with respect to the item and make other arrangements for its completion.

For AIP contracts this subsection should advise the Contractor that all supplemental agreements shall be approved by the FAA and shall include valid wage determinations of the U.S. Secretary of Labor when the amount of the supplemental agreement exceeds \$2,000. However, if the Contractor elects to waive the limitations on work that increase or decrease the originally awarded contract or any major contract item by more than 25 percent, the supplemental agreement shall be subject to the same U.S. Secretary of Labor wage determination as was included in the originally awarded contract.

All supplemental agreements shall require consent of the Contractor's surety and separate performance and payment bonds.

40-03 OMITTED ITEMS. The Engineer may, in the Owner's best interest, omit from the work any contract item, except major contract items. Major contract items may be omitted by a supplemental agreement. Such omission of contract items shall not invalidate any other contract provision or requirement.

Should a contract item be omitted or otherwise ordered to be nonperformed, the Contractor shall be paid for all work performed toward completion of such item prior to the date of the order to omit such item. Payment for work performed shall be in accordance with the subsection titled PAYMENT FOR OMITTED ITEMS of Section 90.

40-04 EXTRA WORK. Should acceptable completion of the contract require the Contractor to perform an item of work for which no basis of payment has been provided in the original contract or previously issued change orders or supplemental agreements, the same shall be called "Extra Work." Extra Work that is within the general scope of the contract shall be covered by written change order. Change orders for such Extra Work shall contain agreed unit prices for performing the change order work in accordance with the requirements specified in the order, and shall contain any adjustment to the contract time that, in the Engineer's opinion, is necessary for completion of such Extra Work.

When determined by the Engineer to be in the Owner's best interest, he may order the Contractor to proceed with Extra Work by force account as provided in the subsection titled PAYMENT FOR EXTRA AND FORCE ACCOUNT WORK of Section 90.

Extra Work that is necessary for acceptable completion of the project, but is not within the general scope of the work covered by the original contract shall be covered by a Supplemental Agreement as hereinbefore defined in the subsection titled SUPPLEMENTAL AGREEMENT of Section 10.

Any claim for payment of Extra Work that is not covered by written agreement (change order or supplemental agreement) shall be rejected by the Owner.

40-05 MAINTENANCE OF TRAFFIC. It is the explicit intention of the contract that the safety of aircraft, as well as the Contractor's equipment and personnel, is the most important consideration. It is understood and agreed that the Contractor shall provide for the free and unobstructed movement of aircraft in the air operations areas of the airport with respect to his/her own operations and the operations of all his/her subcontractors as specified in the subsection titled LIMITATION OF OPERATIONS of Section 80. It is further understood and agreed that the Contractor shall provide for the uninterrupted operation of visual and electronic signals (including power supplies thereto) used in the guidance of aircraft while operating to, from, and upon the airport as specified in the subsection titled CONTRACTOR'S RESPONSIBILITY FOR UTILITY SERVICE AND FACILITIES OF OTHERS in Section 70.

With respect to his/her own operations and the operations of all his/her subcontractors, the Contractor shall provide marking, lighting, and other acceptable means of identifying: personnel; equipment; vehicles; storage areas; and any work area or condition that may be hazardous to the operation of aircraft, fire-rescue equipment, or maintenance vehicles at the airport.

When the contract requires the maintenance of vehicular traffic on an existing road, street, or highway during the Contractor's performance of work that is otherwise provided for in the contract, plans, and specifications, the Contractor shall keep such road, street, or highway open to all traffic and shall provide such maintenance as may be required to accommodate traffic. The Contractor shall furnish erect, and maintain barricades, warning signs, flagperson, and other traffic control devices in reasonable conformity with the manual of Uniform Traffic Control Devices for Streets and Highways (published by the United States Government Printing Office), unless otherwise specified herein. The Contractor shall also construct and maintain in a safe condition any temporary connections necessary for ingress to and egress from abutting property or intersecting roads, streets or highways. Unless otherwise specified herein, the Contractor will not be required to furnish snow removal for such existing road, street, or highway.

The Contractor shall make his/her own estimate of all labor, materials, equipment, and incidentals necessary for providing the maintenance of aircraft and vehicular traffic as specified in this subsection.

The cost of maintaining the aircraft and vehicular traffic specified in this subsection shall not be measured or paid for directly, but shall be included in the various contract items.

40-06 REMOVAL OF EXISTING STRUCTURES. All existing structures encountered within the established lines, grades, or grading sections shall be removed by the Contractor, unless such existing structures are otherwise specified to be relocated, adjusted up or down, salvaged, abandoned in place, reused in the work or to remain in place. The cost of removing such existing structures shall not be measured or paid for directly, but shall be included in the various contract items.

Should the Contractor encounter an existing structure (above or below ground) in the work for which the disposition is not indicated on the plans, the Engineer shall be notified prior to disturbing such structure. The disposition of existing structures so encountered shall be immediately determined by the Engineer in accordance with the provisions of the contract.

Except as provided in the subsection titled RIGHTS IN AND USE OF MATERIALS FOUND IN THE WORK of this section, it is intended that all existing materials or structures that may be encountered (within the lines, grades, or grading sections established for completion of the work) shall be utilized in the work as otherwise provided for in the contract and shall remain the property of the Owner when so utilized in the work.

The removal of large or complicated existing structures such as box-culverts, underground storage tanks, large underground electrical vaults, large reinforced concrete structures or foundations, or similar existing airport facilities should be provided for in separate technical specifications. Contract pay items should also be provided in the contract proposal to cover payment for such work.

Additional requirements may be needed in the contract to protect pavements which are to remain in place when demolishing adjacent pavements. An example is to not permit falling-weight type pavement demolition within 25-feet of pavement to remain in place. Other requirements can include requiring a double saw-cut when removing Portland Cement Concrete (PCC) pavements and requiring the contractor (at contractor's expense) to remove and replace damaged PCC back to the next joint.

40-07 RIGHTS IN AND USE OF MATERIALS FOUND IN THE WORK. Should the Contractor encounter any material such as (but not restricted to) sand, stone, gravel, slag, or concrete slabs within the established lines, grades, or grading sections, the use of which is intended by the terms of the contract to be either embankment or waste, he may at his/her option either:

- a. Use such material in another contract item, providing such use is approved by the Engineer and is in conformance with the contract specifications applicable to such use; or,
- b. Remove such material from the site, upon written approval of the Engineer; or
- c. Use such material for his/her own temporary construction on site; or,
- d. Use such material as intended by the terms of the contract.

Should the Contractor wish to exercise option a., b., or c., he shall request the Engineer's approval in advance of such use.

Should the Engineer approve the Contractor's request to exercise option a., b., or c., the Contractor shall be paid for the excavation or removal of such material at the applicable contract price. The Contractor shall replace, at his/her own expense, such removed or excavated material with an agreed equal volume of material that is acceptable for use in constructing embankment, backfills, or otherwise to the extent that such replacement material is needed to complete the contract work. The Contractor shall not be charged for his/her use of such material so used in the work or removed from the site.

Should the Engineer approve the Contractor's exercise of option a., the Contractor shall be paid, at the applicable contract price, for furnishing and installing such material in accordance with requirements of the contract item in which the material is used.

It is understood and agreed that the Contractor shall make no claim for delays by reason of his/her exercise of option a., b., or c.

The Contractor shall not excavate, remove, or otherwise disturb any material, structure, or part of a structure which is located outside the lines, grades, or grading sections established for the work, except where such excavation or removal is provided for in the contract, plans, or specifications.

40-09 FINAL CLEANING UP. Upon completion of the work and before acceptance and final payment will be made, the Contractor shall remove from the site all machinery, equipment, surplus and discarded materials, rubbish, temporary structures, and stumps or portions of trees. He shall cut all brush and woods within the limits indicated and shall leave the site in a neat and presentable condition. Material cleared from the site and deposited on adjacent property will not be considered as having been disposed of satisfactorily, unless the Contractor has obtained the written permission of such property owner.

END OF SECTION 40

**SECTION 50
CONTROL OF WORK**

50-01 AUTHORITY OF THE ENGINEER. The Engineer shall decide any and all questions which may arise as to the quality and acceptability of materials furnished, work performed, and as to the manner of performance and rate of progress of the work. The Engineer shall decide all questions that may arise as to the interpretation of the specifications or plans relating to the work. The Engineer shall determine the amount and quality of the several kinds of work performed and materials furnished which are to be paid for the under contract.

The Engineer does not have the authority to accept pavements that do not conform to FAA specification requirements.

50-02 CONFORMITY WITH PLANS AND SPECIFICATIONS. All work and all materials furnished shall be in reasonably close conformity with the lines, grades, grading sections, cross sections, dimensions, material requirements, and testing requirements that are specified (including specified tolerances) in the contract, plans or specifications.

If the Engineer finds the materials furnished, work performed, or the finished product not within reasonably close conformity with the plans and specifications but that the portion of the work affected will, in his/her opinion, result in a finished product having a level of safety, economy, durability, and workmanship acceptable to the Owner, he will advise the Owner of his/her determination that the affected work be accepted and remain in place. In this event, the Engineer will document his/her determination and recommend to the Owner a basis of acceptance that will provide for an adjustment in the contract price for the affected portion of the work. The Engineer's determination and recommended contract price adjustments will be based on good engineering judgment and such tests or retests of the affected work as are, in his/her opinion, needed. Changes in the contract price shall be covered by contract modifications (change order or supplemental agreement) as applicable.

If the Engineer finds the materials furnished, work performed, or the finished product are not in reasonably close conformity with the plans and specifications and have resulted in an unacceptable finished product, the affected work or materials shall be removed and replaced or otherwise corrected by and at the expense of the Contractor in accordance with the Engineer's written orders.

For the purpose of this subsection, the term "reasonably close conformity" shall not be construed as waiving the Contractor's responsibility to complete the work in accordance with the contract, plans, and specifications. The term shall not be construed as waiving the Engineer's responsibility to insist on strict compliance with the requirements of the contract, plans, and specifications during the Contractor's prosecution of the work, when, in the Engineer's opinion, such compliance is essential to provide an acceptable finished portion of the work.

For the purpose of this subsection, the term "reasonably close conformity" is also intended to provide the Engineer with the authority, after consultation with the FAA, to use good engineering judgment in his/her determinations as to acceptance of work that is not in strict conformity but will provide a finished product equal to or better than that intended by the requirements of the contract, plans and specifications.

For AIP contracts, the Owner should keep the FAA advised of the Engineer's determinations as to acceptance of work that is not in reasonably close conformity to the contract, plans, and specifications. Change orders or supplemental agreements must bear the written approval of the FAA. The Engineer may consult with the FAA for the determination to accept materials that are not in strict conformance with the specification requirements.

The Engineer will not be responsible for the Contractor's means, methods, techniques, sequences, or procedures of construction or the safety precautions incident thereto.

50-03 COORDINATION OF CONTRACT, PLANS, AND SPECIFICATIONS. The contract, plans, specifications, and all referenced standards cited are essential parts of the contract requirements. A requirement occurring in one is as binding as though occurring in all. They are intended to be complementary and to describe and provide for a complete work. In case of discrepancy, calculated dimensions will govern over scaled dimensions; contract technical specifications shall govern over contract general provisions, plans, cited standards for materials or testing, and cited FAA advisory circulars; contract general provisions shall govern over plans, cited standards for materials or testing, and cited FAA advisory circulars; plans shall govern over cited standards for materials or testing and cited FAA advisory circulars. If any paragraphs contained in the Special Provisions conflict with General Provisions or Technical Specifications, the Special Provisions shall govern.

The Contractor shall not take advantage of any apparent error or omission on the plans or specifications. In the event the Contractor discovers any apparent error or discrepancy, he shall immediately call upon the Engineer for his/her interpretation and decision, and such decision shall be final.

LIST SPECIAL PROVISIONS

The Engineer should list the Special Provisions in the order of precedence.

50-04 COOPERATION OF CONTRACTOR. The Contractor will be supplied with five copies each of the plans and specifications. He shall have available on the work at all times one copy each of the plans and specifications. Additional copies of plans and specifications may be obtained by the Contractor for the cost of reproduction.

The Contractor shall give constant attention to the work to facilitate the progress thereof, and he shall cooperate with the Engineer and his/her inspectors and with other contractors in every way possible. The Contractor shall have a competent superintendent on the work at all times who is fully authorized as his/her agent on the work. The superintendent shall be capable of reading and thoroughly understanding the plans and specifications and shall receive and fulfill instructions from the Engineer or his/her authorized representative.

50-05 COOPERATION BETWEEN CONTRACTORS. The Owner reserves the right to contract for and perform other or additional work on or near the work covered by this contract.

When separate contracts are let within the limits of any one project, each Contractor shall conduct his/her work so as not to interfere with or hinder the progress of completion of the work being performed by other Contractors. Contractors working on the same project shall cooperate with each other as directed.

Each Contractor involved shall assume all liability, financial or otherwise, in connection with his/her contract and shall protect and save harmless the Owner from any and all damages or claims that may arise because of inconvenience, delays, or loss experienced by him because of the presence and operations of other Contractors working within the limits of the same project.

The Contractor shall arrange his/her work and shall place and dispose of the materials being used so as not to interfere with the operations of the other Contractors within the limits of the same project. He shall join his/her work with that of the others in an acceptable manner and shall perform it in proper sequence to that of the others.

50-06 CONSTRUCTION LAYOUT AND STAKES. The Engineer shall establish horizontal and vertical control only. The Contractor must establish all layout required for the construction of the work. Such stakes and markings as the Engineer may set for either his/her own or the Contractor's guidance shall be preserved by the Contractor. In case of negligence on the part of the Contractor, or his/her employees, resulting in the destruction of such stakes or

markings, an amount equal to the cost of replacing the same may be deducted from subsequent estimates due the Contractor at the discretion of the Engineer.

The Contractor will be required to furnish all lines, grades and measurements from the control points necessary for the proper prosecution and control of the work contracted for under these specifications.

The Contractor must give weekly copies of the survey notes to the Engineer so that the Engineer may check them as to accuracy and method of staking. All areas that are staked by the Contractor must be checked by the Engineer prior to beginning any work in the area. The Engineer will make periodic checks of the grades and alignment set by the Contractor. In case of error on the part of the Contractor, or his/her employees, resulting in establishing grades and/or alignment that are not in accordance with the plans or established by the Engineer, all construction not in accordance with the established grades and/or alignment shall be replaced without additional cost to the Owner.

No direct payment will be made, unless otherwise specified in contract documents, for this labor, materials, or other expenses therewith. The cost thereof shall be included in the price of the bid for the various items of the Contract.

Construction Staking and Layout includes but is not limited to:

Clearing and Grubbing perimeter staking.

Rough Grade slope stakes at 100-foot stations.

Drainage Swales slope stakes and flow line blue tops at 50-foot stations.

Subgrade blue tops at 25 foot stations and 25 foot offset distance (max.) for the following section locations:

- a. Runway – minimum 5 per station
- b. Taxiways – minimum 3 per station
- c. Holding apron areas – minimum 3 per station
- d. Roadways – minimum 3 per station

Base Course blue tops at 25 foot stations and 25 foot offset distance (max.) for the following section locations:

- a. Runway – minimum 5 per station
- b. Taxiways – minimum 3 per station
- c. Holding apron areas – minimum 3 per station

Pavement areas:

- a. Edge of Pavement hubs and tacks (for stringline by Contractor) at 100 foot stations
- b. Between Lifts at 25 foot stations for the following section locations:
 - (1). Runways – each paving lane width
 - (2). Taxiways – each paving lane width
 - (3). Holding areas – each paving lane width
- c. After finish paving operations at 50 foot stations
 - (1). All paved areas – Edge of each paving lane prior to next paving lot
- d. Shoulder and safety area blue tops at 50 foot stations and at all break points with maximum of 50 foot offsets

Fence lines at 100 foot stations

Electrical and Communications System locations, lines and grades including but not limited to duct runs, connections, fixtures, signs, lights, VASI's, PAPI's, REIL's, Wind Cones, Distance Markers (signs), pull boxes and manholes.

Drain lines, cut stakes and alignment on 25-foot stations, inlet and manholes.

Painting and Striping layout (pinned with 1.5 inch PK nails) marked for paint Contractor. (All nails shall be removed after painting)

Laser, or other automatic control devices, shall be checked with temporary control point or grade hub at a minimum of once per 400 feet per pass (i.e. paving lane).

NOTE: Controls and stakes disturbed or suspect of having been disturbed shall be checked and/or reset as directed by the Engineer without additional cost to the Owner.

50-07 AUTOMATICALLY CONTROLLED EQUIPMENT. Whenever batching or mixing plant equipment is required to be operated automatically under the contract and a breakdown or malfunction of the automatic controls occurs, the equipment may be operated manually or by other methods for a period 48 hours following the

breakdown or malfunction, provided this method of operations will produce results which conform to all other requirements of the contract.

50-08 AUTHORITY AND DUTIES OF INSPECTORS. Inspectors employed by the Owner shall be authorized to inspect all work done and all material furnished. Such inspection may extend to all or any part of the work and to the preparation, fabrication, or manufacture of the materials to be used. Inspectors are not authorized to revoke, alter, or waive any provision of the contract. Inspectors are not authorized to issue instructions contrary to the plans and specifications or to act as foreman for the Contractor.

Inspectors employed by the Owner are authorized to notify the Contractor or his/her representatives of any failure of the work or materials to conform to the requirements of the contract, plans, or specifications and to reject such nonconforming materials in question until such issues can be referred to the Engineer for his/her decision.

50-09 INSPECTION OF THE WORK. All materials and each part or detail of the work shall be subject to inspection by the Engineer. The Engineer shall be allowed access to all parts of the work and shall be furnished with such information and assistance by the Contractor as is required to make a complete and detailed inspection.

If the Engineer requests it, the Contractor, at any time before acceptance of the work, shall remove or uncover such portions of the finished work as may be directed. After examination, the Contractor shall restore said portions of the work to the standard required by the specifications. Should the work thus exposed or examined prove acceptable, the uncovering, or removing, and the replacing of the covering or making good of the parts removed will be paid for as extra work; but should the work so exposed or examined prove unacceptable, the uncovering, or removing, and the replacing of the covering or making good of the parts removed will be at the Contractor's expense.

Any work done or materials used without supervision or inspection by an authorized representative of the Owner may be ordered removed and replaced at the Contractor's expense unless the Owner's representative failed to inspect after having been given reasonable notice in writing that the work was to be performed.

Should the contract work include relocation, adjustment, or any other modification to existing facilities, not the property of the (contract) Owner, authorized representatives of the owners of such facilities shall have the right to inspect such work. Such inspection shall in no sense make any facility owner a party to the contract, and shall in no way interfere with the rights of the parties to this contract.

50-10 REMOVAL OF UNACCEPTABLE AND UNAUTHORIZED WORK. All work that does not conform to the requirements of the contract, plans, and specifications will be considered unacceptable, unless otherwise determined acceptable by the Engineer as provided in the subsection titled CONFORMITY WITH PLANS AND SPECIFICATIONS of this section.

Unacceptable work, whether the result of poor workmanship, use of defective materials, damage through carelessness, or any other cause found to exist prior to the final acceptance of the work, shall be removed immediately and replaced in an acceptable manner in accordance with the provisions of the subsection titled CONTRACTOR'S RESPONSIBILITY FOR WORK of Section 70.

No removal work made under provision of this subsection shall be done without lines and grades having been given by the Engineer. Work done contrary to the instructions of the Engineer, work done beyond the lines shown on the plans or as given, except as herein specified, or any extra work done without authority, will be considered as unauthorized and will not be paid for under the provisions of the contract. Work so done may be ordered removed or replaced at the Contractor's expense.

Upon failure on the part of the Contractor to comply forthwith with any order of the Engineer made under the provisions of this subsection, the Engineer will have authority to cause unacceptable work to be remedied or removed and replaced and unauthorized work to be removed and to deduct the costs (incurred by the Owner) from any monies due or to become due the Contractor.

50-11 LOAD RESTRICTIONS. The Contractor shall comply with all legal load restrictions in the hauling of materials on public roads beyond the limits of the work. A special permit will not relieve the Contractor of liability for damage that may result from the moving of material or equipment.

The operation of equipment of such weight or so loaded as to cause damage to structures or to any other type of construction will not be permitted. Hauling of materials over the base course or surface course under construction shall be limited as directed. No loads will be permitted on a concrete pavement, base, or structure before the expiration of the curing period. The Contractor shall be responsible for all damage done by his/her hauling equipment and shall correct such damage at his/her own expense.

The Engineer should check to see if the on site project access roads and haul routes will support the construction equipment. Particular attention should be paid when sections of existing airfield pavements will be used as haul routes to assure that existing pavements are not overloaded. If questionable, the Engineer should add appropriate provisions to preserve or rehabilitate any access roads or haul routes to the bid documents. Various measures such as videotape or photographs may be required to document existing conditions prior to start of construction.

50-12 MAINTENANCE DURING CONSTRUCTION. The Contractor shall maintain the work during construction and until the work is accepted. This maintenance shall constitute continuous and effective work prosecuted day by day, with adequate equipment and forces so that the work is maintained in satisfactory condition at all times.

In the case of a contract for the placing of a course upon a course or subgrade previously constructed, the Contractor shall maintain the previous course or subgrade during all construction operations.

All costs of maintenance work during construction and before the project is accepted shall be included in the unit prices bid on the various contract items, and the Contractor will not be paid an additional amount for such work.

50-13 FAILURE TO MAINTAIN THE WORK. Should the Contractor at any time fail to maintain the work as provided in the subsection titled MAINTENANCE DURING CONSTRUCTION of this section, the Engineer shall immediately notify the Contractor of such noncompliance. Such notification shall specify a reasonable time within which the Contractor shall be required to remedy such unsatisfactory maintenance condition. The time specified will give due consideration to the exigency that exists.

Should the Contractor fail to respond to the Engineer's notification, the Owner may suspend any work necessary for the Owner to correct such unsatisfactory maintenance condition, depending on the exigency that exists. Any maintenance cost incurred by the Owner, shall be deducted from monies due or to become due the Contractor.

50-14 PARTIAL ACCEPTANCE. If at any time during the prosecution of the project the Contractor substantially completes a usable unit or portion of the work, the occupancy of which will benefit the Owner, he may request the Engineer to make final inspection of that unit. If the Engineer finds upon inspection that the unit has been satisfactorily completed in compliance with the contract, he may accept it as being completed, and the Contractor may be relieved of further responsibility for that unit. Such partial acceptance and beneficial occupancy by the Owner shall not void or alter any provision of the contract.

50-15 FINAL ACCEPTANCE. Upon due notice from the Contractor of presumptive completion of the entire project, the Engineer and Owner will make an inspection. If all construction provided for and contemplated by the contract is found to be completed in accordance with the contract, plans, and specifications, such inspection shall constitute the final inspection. The Engineer shall notify the Contractor in writing of final acceptance as of the date of the final inspection.

If, however, the inspection discloses any work, in whole or in part, as being unsatisfactory, the Engineer will give the Contractor the necessary instructions for correction of same and the Contractor shall immediately comply with and execute such instructions. Upon correction of the work, another inspection will be made which shall constitute the final inspection, provided the work has been satisfactorily completed. In such event, the Engineer will make the final acceptance and notify the Contractor in writing of this acceptance as of the date of final inspection.

50-16 CLAIMS FOR ADJUSTMENT AND DISPUTES. If for any reason the Contractor deems that additional compensation is due him for work or materials not clearly provided for in the contract, plans, or specifications or previously authorized as extra work, he shall notify the Engineer in writing of his/her intention to claim such additional compensation before he begins the work on which he bases the claim. If such notification is not given or the Engineer is not afforded proper opportunity by the Contractor for keeping strict account of actual cost as required, then the Contractor hereby agrees to waive any claim for such additional compensation. Such notice by the Contractor and the fact that the Engineer has kept account of the cost of the work shall not in any way be construed as proving or substantiating the validity of the claim. When the work on which the claim for additional compensation is based has been completed, the Contractor shall, within 10 calendar days, submit his/her written claim to the Engineer who will present it to the Owner for consideration in accordance with local laws or ordinances.

Nothing in this subsection shall be construed as a waiver of the Contractor's right to dispute final payment based on differences in measurements or computations.

50-17 COST REDUCTION INCENTIVE. The provisions of this subsection will apply only to contracts awarded to the lowest bidder pursuant to competitive bidding.

On projects with original contract amounts in excess of \$100,000, the Contractor may submit to the Engineer, in writing, proposals for modifying the plans, specifications or other requirements of the contract for the sole purpose of reducing the cost of construction. The cost reduction proposal shall not impair, in any manner, the essential functions or characteristics of the project, including but not limited to service life, economy of operation, ease of maintenance, desired appearance, design and safety standards. This provision shall not apply unless the proposal submitted is specifically identified by the Contractor as being presented for consideration as a value engineering proposal.

Not eligible for cost reduction proposals are changes in the basic design of a pavement type, runway and taxiway lighting, visual aids, hydraulic capacity of drainage facilities, or changes in grade or alignment that reduce the geometric standards of the project.

As a minimum, the following information shall be submitted by the Contractor with each proposal:

- a. A description of both existing contract requirements for performing the work and the proposed changes, with a discussion of the comparative advantages and disadvantages of each;
- b. An itemization of the contract requirements that must be changed if the proposal is adopted;
- c. A detailed estimate of the cost of performing the work under the existing contract and under the proposed changes;
- d. A statement of the time by which a change order adopting the proposal must be issued;
- e. A statement of the effect adoption of the proposal will have on the time for completion of the contract; and
- f. The contract items of work affected by the proposed changes, including any quantity variation attributable to them.

The Contractor may withdraw, in whole or in part, any cost reduction proposal not accepted by the Engineer, within the period specified in the proposal. The provisions of this subsection shall not be construed to require the Engineer to consider any cost reduction proposal that may be submitted.

The Contractor shall continue to perform the work in accordance with the requirements of the contract until a change order incorporating the cost reduction proposal has been issued. If a change order has not been issued by the date upon which the Contractor's cost reduction proposal specifies that a decision should be made, or such other date as the Contractor may subsequently have requested in writing, such cost reduction proposal shall be deemed rejected.

The Engineer shall be the sole judge of the acceptability of a cost reduction proposal and of the estimated net savings from the adoption of all or any part of such proposal. In determining the estimated net savings, the Engineer may disregard the contract bid prices if, in the Engineer's judgment such prices do not represent a fair measure of the value of the work to be performed or deleted.

The Owner may require the Contractor to share in the Owner's costs of investigating a cost reduction proposal submitted by the Contractor as a condition of considering such proposal. Where such a condition is imposed, the Contractor shall acknowledge acceptance of it in writing. Such acceptance shall constitute full authority for the Owner to deduct the cost of investigating a cost reduction proposal from amounts payable to the Contractor under the contract.

If the Contractor's cost reduction proposal is accepted in whole or in part, such acceptance will be by a contract change order that shall specifically state that it is executed pursuant to this subsection. Such change order shall incorporate the changes in the plans and specifications which are necessary to permit the cost reduction proposal or such part of it as has been accepted and shall include any conditions upon which the Engineer's approval is based. The change order shall also set forth the estimated net savings attributable to the cost reduction proposal. The net savings shall be determined as the difference in costs between the original contract costs for the involved work items and the costs occurring as a result of the proposed change. The change order shall also establish the net savings agreed upon and shall provide for adjustment in the contract price that will divide the net savings equally between the Contractor and the Owner.

The Contractor's 50 percent share of the net savings shall constitute full compensation to the Contractor for the cost reduction proposal and the performance of the work.

Acceptance of the cost-reduction proposal and performance of the cost-reduction work shall not extend the time of completion of the contract unless specifically provided for in the contract change order.

Use of this subsection in project specifications is at the option of the Owner/Engineer.

This subsection should not be incorporated into project specifications if State or local laws prohibit its use or if the project does not lend itself to value engineering.

END OF SECTION 50

Intentionally Left Blank

**SECTION 60
CONTROL OF MATERIALS**

60-01 SOURCE OF SUPPLY AND QUALITY REQUIREMENTS. The materials used on the work shall conform to the requirements of the contract, plans, and specifications. Unless otherwise specified, such materials that are manufactured or processed shall be new (as compared to used or reprocessed).

In order to expedite the inspection and testing of materials, the Contractor shall furnish complete statements to the Engineer as to the origin, composition, and manufacture of all materials to be used in the work. Such statements shall be furnished promptly after execution of the contract but, in all cases, prior to delivery of such materials.

At the Engineer's option, materials may be approved at the source of supply before delivery is stated. If it is found after trial that sources of supply for previously approved materials do not produce specified products, the Contractor shall furnish materials from other sources.

The Contractor shall furnish airport lighting equipment that conforms to the requirements of cited materials specifications. In addition, where an FAA specification for airport lighting equipment is cited in the plans or specifications, the Contractor shall furnish such equipment that is:

- a. Listed in FAA Advisory Circular (AC) 150/5345-53, Airport Lighting Equipment Certification Program, that is in effect on the date of advertisement; and,
- b. Produced by the manufacturer qualified (by FAA) to produce such specified and listed equipment.

The following airport lighting equipment is required for this contract and is to be furnished by the Contractor in accordance with the requirements of this subsection:

EQUIPMENT NAME
 CITED FAA SPECIFICATIONS
 EFFECTIVE FAA AC OR APPROVAL LETTER FOR EQUIPMENT AND
 MANUFACTURER

To avoid errors, the design Engineer should furnish the above listing after having conformed the list to those specifications cited on the plans or in the technical specifications. Both the individual FAA material specifications and the AC 150/5345-53, Airport Lighting Equipment Certification Program, should be listed to indicate the edition that is effective on the date the contract is advertised.

60-02 SAMPLES, TESTS, AND CITED SPECIFICATIONS. Unless otherwise designated, all materials used in the work shall be inspected, tested, and approved by the Engineer before incorporation in the work. Any work in which untested materials are used without approval or written permission of the Engineer shall be performed at the Contractor's risk. Materials found to be unacceptable and unauthorized will not be paid for and, if directed by the Engineer, shall be removed at the Contractor's expense. Unless otherwise designated, tests in accordance with the cited standard methods of ASTM, AASHTO, Federal Specifications, Commercial Item Descriptions, and all other cited methods, which are current on the date of advertisement for bids, will be made by and at the expense of the Engineer. The testing organizations performing on site field tests shall have copies of all referenced standards on the construction site for use by all technicians and other personnel, including the Contractor's representative at his/her request. Unless otherwise designated, samples will be taken by a qualified representative of the Engineer. All materials being used are subject to inspection, test, or rejection at any time prior to or during incorporation into the work. Copies of all tests will be furnished to the Contractor's representative at his/her request.

The Contractor shall employ a testing organization to perform all Contractor required tests. The Contractor shall submit to the Engineer resumes on all testing organizations and individual persons who will be performing the tests. The Engineer will determine if such persons are qualified. All the test data shall be reported to the Engineer after the results are known. A legible, handwritten copy of all test data shall be given to the Engineer daily, along with printed reports, in an approved format, on a weekly basis. After completion of the project, and prior to final payment, the Contractor shall submit a final report to the Engineer showing all test data reports, plus an analysis of all results showing ranges, averages, and corrective action taken on all failing tests.

The Engineer may wish to include a requirement that all test data from the Contractor be furnished in electronic format. The Engineer shall provide detailed specifications to specify the acceptable format to be used.

60-03 CERTIFICATION OF COMPLIANCE. The Engineer may permit the use, prior to sampling and testing, of certain materials or assemblies when accompanied by manufacturer's certificates of compliance stating that such materials or assemblies fully comply with the requirements of the contract. The certificate shall be signed by the manufacturer. Each lot of such materials or assemblies delivered to the work must be accompanied by a certificate of compliance in which the lot is clearly identified.

Materials or assemblies used on the basis of certificates of compliance may be sampled and tested at any time and if found not to be in conformity with contract requirements will be subject to rejection whether in place or not.

The form and distribution of certificates of compliance shall be as approved by the Engineer.

When a material or assembly is specified by "brand name or equal" and the Contractor elects to furnish the specified "brand name," the Contractor shall be required to furnish the manufacturer's certificate of compliance for each lot of such material or assembly delivered to the work. Such certificate of compliance shall clearly identify each lot delivered and shall certify as to:

- a. Conformance to the specified performance, testing, quality or dimensional requirements; and,
- b. Suitability of the material or assembly for the use intended in the contract work.

Should the Contractor propose to furnish an "or equal" material or assembly, he shall furnish the manufacturer's certificates of compliance as hereinbefore described for the specified brand name material or assembly. However, the Engineer shall be the sole judge as to whether the proposed "or equal" is suitable for use in the work.

The Engineer reserves the right to refuse permission for use of materials or assemblies on the basis of certificates of compliance.

When it is necessary to specify a material or assembly by "brand name or equal," the technical requirements (performance, testing, quality, or dimensions) must be accurately described in enough detail to ensure a suitable product while not restricting competition unduly.

60-04 PLANT INSPECTION. The Engineer or his/her authorized representative may inspect, at its source, any specified material or assembly to be used in the work. Manufacturing plants may be inspected from time to time for the purpose of determining compliance with specified manufacturing methods or materials to be used in the work and to obtain samples required for his/her acceptance of the material or assembly.

Should the Engineer conduct plant inspections, the following conditions shall exist:

- a. The Engineer shall have the cooperation and assistance of the Contractor and the producer with whom he has contracted for materials.
- b. The Engineer shall have full entry at all reasonable times to such parts of the plant that concern the manufacture or production of the materials being furnished.
- c. If required by the Engineer, the Contractor shall arrange for adequate office or working space that may be reasonably needed for conducting plant inspections. Office or working space should be conveniently located with respect to the plant.

It is understood and agreed that the Owner shall have the right to retest any material that has been tested and approved at the source of supply after it has been delivered to the site. The Engineer shall have the right to reject only material which, when retested, does not meet the requirements of the contract, plans, or specifications.

60-05 ENGINEER'S FIELD OFFICE. The Contractor shall furnish for the duration of the project one building for the use of the field engineers and inspectors, as a field office. This facility shall be an approved weatherproof building meeting the current State Highway Specifications (for example, Class I Field Office or Type C Structure). This building shall be located conveniently near to the construction and shall be separate from any building used by the Contractor. A land line telephone and answering machine shall be provided. The Contractor shall be responsible for payment of the basic monthly charge and local calls only. Any Long Distance Tolls shall be the responsibility of the caller. The Contractor shall furnish [FAX machine, photocopy machine, water, sanitary facilities, heat, air conditioning, and electricity]. No direct payment will be made for this building or labor, materials, ground rental, or other expense in connection therewith. The cost hereof shall be included in the price bid for the various items of the contract. The Contractor and his/her superintendent shall provide all reasonable facilities to enable to the Engineer to inspect the workmanship and materials entering into the work.

Requirements for specifying the Engineer's field office should be coordinated with the Owner and the Engineer since such facilities are not needed for all airport construction projects.

60-06 STORAGE OF MATERIALS. Materials shall be so stored as to assure the preservation of their quality and fitness for the work. Stored materials, even though approved before storage, may again be inspected prior to their use in the work. Stored materials shall be located so as to facilitate their prompt inspection. The Contractor shall coordinate the storage of all materials with the Engineer. Materials to be stored on airport property shall not create an obstruction to air navigation nor shall they interfere with the free and unobstructed movement of aircraft. Unless otherwise shown on the plans, the storage of materials and the location of the Contractor's plant and parked equipment or vehicles shall be as directed by the Engineer. Private property shall not be used for storage purposes without written permission of the owner or lessee of such property. The Contractor shall make all arrangements and bear all expenses for the storage of materials on private property. Upon request, the Contractor shall furnish the Engineer a copy of the property owner's permission.

All storage sites on private or airport property shall be restored to their original condition by the Contractor at his/her entire expense, except as otherwise agreed to (in writing) by the owner or lessee of the property.

60-07 UNACCEPTABLE MATERIALS. Any material or assembly that does not conform to the requirements of the contract, plans, or specifications shall be considered unacceptable and shall be rejected. The Contractor shall remove any rejected material or assembly from the site of the work, unless otherwise instructed by the Engineer.

Rejected material or assembly, the defects of which have been corrected by the Contractor, shall not be returned to the site of the work until such time as the Engineer has approved its use in the work.

60-08 OWNER FURNISHED MATERIALS. The Contractor shall furnish all materials required to complete the work, except those specified herein (if any) to be furnished by the Owner. Owner-furnished materials shall be made available to the Contractor at the location specified herein.

All costs of handling, transportation from the specified location to the site of work, storage, and installing Owner-furnished materials shall be included in the unit price bid for the contract item in which such Owner-furnished material is used.

After any Owner-furnished material has been delivered to the location specified, the Contractor shall be responsible for any demurrage, damage, loss, or other deficiencies that may occur during the Contractor's handling, storage, or use of such Owner-furnished material. The Owner will deduct from any monies due or to become due the Contractor any cost incurred by the Owner in making good such loss due to the Contractor's handling, storage, or use of Owner-furnished materials.

END OF SECTION 60

**SECTION 70
LEGAL REGULATIONS AND RESPONSIBILITY TO PUBLIC**

70-01 LAWS TO BE OBSERVED. The Contractor shall keep fully informed of all Federal and state laws, all local laws, ordinances, and regulations and all orders and decrees of bodies or tribunals having any jurisdiction or authority, which in any manner affect those engaged or employed on the work, or which in any way affect the conduct of the work. He shall at all times observe and comply with all such laws, ordinances, regulations, orders, and decrees; and shall protect and indemnify the Owner and all his/her officers, agents, or servants against any claim or liability arising from or based on the violation of any such law, ordinance, regulation, order, or decree, whether by himself or his/her employees.

70-02 PERMITS, LICENSES, AND TAXES. The Contractor shall procure all permits and licenses, pay all charges, fees, and taxes, and give all notices necessary and incidental to the due and lawful prosecution of the work.

70-03 PATENTED DEVICES, MATERIALS, AND PROCESSES. If the Contractor is required or desires to use any design, device, material, or process covered by letters of patent or copyright, he shall provide for such use by suitable legal agreement with the patentee or owner. The Contractor and the surety shall indemnify and save harmless the Owner, any third party, or political subdivision from any and all claims for infringement by reason of the use of any such patented design, device, material or process, or any trademark or copyright, and shall indemnify the Owner for any costs, expenses, and damages which it may be obliged to pay by reason of an infringement, at any time during the prosecution or after the completion of the work.

70-04 RESTORATION OF SURFACES DISTURBED BY OTHERS. The Owner reserves the right to authorize the construction, reconstruction, or maintenance of any public or private utility service, FAA or National Oceanic and Atmospheric Administration (NOAA) facility, or a utility service of another government agency at any time during the progress of the work. To the extent that such construction, reconstruction, or maintenance has been coordinated with the Owner, such authorized work (by others) is indicated as follows:

- Owner (Utility or Other Facility)
- Location (See Plan Sheet No.)
- Person to Contact (Name, Title, Address and Phone)

Except as listed above, the Contractor shall not permit any individual, firm, or corporation to excavate or otherwise disturb such utility services or facilities located within the limits of the work without the written permission of the Engineer.

Should the owner of public or private utility service, FAA, or NOAA facility, or a utility service of another government agency be authorized to construct, reconstruct, or maintain such utility service or facility during the progress of the work, the Contractor shall cooperate with such owners by arranging and performing the work in this contract so as to facilitate such construction, reconstruction or maintenance by others whether or not such work by others is listed above. When ordered as extra work by the Engineer, the Contractor shall make all necessary repairs to the work which are due to such authorized work by others, unless otherwise provided for in the contract, plans, or specifications. It is understood and agreed that the Contractor shall not be entitled to make any claim for damages due to such authorized work by others or for any delay to the work resulting from such authorized work.

It is the intention of this subsection to provide for both foreseen and unforeseen work by owners of utility services and other facilities on the airport. Such owners have legal rights and obligations under some form of easement with the airport Owner. Every effort should be made, during the initial design phase, to coordinate the proposed contract work with such owners so that their rights and obligations are provided for the in the contract, plans, and specifications. Where there is conflict between an existing utility service (or facility) and the proposed work or where the owner of the utility or facility must perform work to construct, reconstruct, or maintain his/her utility or facility, such work should be listed in this

subsection and provided for in the contract, plans and specifications. In addition, all known utility services or facilities that are within the limits of the proposed work should be shown on the plans (regardless of whether or not there is a conflict of work to be performed by the owner) with enough detailed information to indicate the lack of conflicts.

70-05 FEDERAL AID PARTICIPATION. For AIP contracts, the United States Government has agreed to reimburse the Owner for some portion of the contract costs. Such reimbursement is made from time to time upon the Owner's request to the FAA. In consideration of the United States Government's (FAA's) agreement with the Owner, the Owner has included provisions in this contract pursuant to the requirements of Title 49 of the United States Code (USC) and the Rules and Regulations of the FAA that pertain to the work.

As required by the USC, the contract work is subject to the inspection and approval of duly authorized representatives of the Administrator, FAA, and is further subject to those provisions of the rules and regulations that are cited in the contract, plans, or specifications.

No requirement of the USC, the rules and regulations implementing the USC, or this contract shall be construed as making the Federal Government a party to the contract nor will any such requirement interfere, in any way, with the rights of either party to the contract.

70-06 SANITARY, HEALTH, AND SAFETY PROVISIONS. The Contractor shall provide and maintain in a neat, sanitary condition such accommodations for the use of his/her employees as may be necessary to comply with the requirements of the state and local Board of Health, or of other bodies or tribunals having jurisdiction.

Attention is directed to Federal, state, and local laws, rules and regulations concerning construction safety and health standards. The Contractor shall not require any worker to work in surroundings or under conditions that are unsanitary, hazardous, or dangerous to his/her health or safety.

70-07 PUBLIC CONVENIENCE AND SAFETY. The Contractor shall control his/her operations and those of his/her subcontractors and all suppliers, to assure the least inconvenience to the traveling public. Under all circumstances, safety shall be the most important consideration.

The Contractor shall maintain the free and unobstructed movement of aircraft and vehicular traffic with respect to his/her own operations and those of his/her subcontractors and all suppliers in accordance with the subsection titled MAINTENANCE OF TRAFFIC of Section 40 hereinbefore specified and shall limit such operations for the convenience and safety of the traveling public as specified in the subsection titled LIMITATION OF OPERATIONS of Section 80 hereinafter.

70-08 BARRICADES, WARNING SIGNS, AND HAZARD MARKINGS. The Contractor shall furnish, erect, and maintain all barricades, warning signs, and markings for hazards necessary to protect the public and the work. When used during periods of darkness, such barricades, warning signs, and hazard markings shall be suitably illuminated. Unless otherwise specified, barricades, warning signs, and markings for hazards that are in the air operations area shall be a maximum of 18 inches high. Unless otherwise specified, barricades shall be spaced not more than 25 feet apart. Barricades, warning signs, and markings shall be paid for under Section 40-05.

For vehicular and pedestrian traffic, the Contractor shall furnish, erect, and maintain barricades, warning signs, lights and other traffic control devices in reasonable conformity with the Manual of Uniform Traffic Control Devices for Streets and Highways (published by the United States Government Printing Office).

When the work requires closing an air operations area of the airport or portion of such area, the Contractor shall furnish, erect, and maintain temporary markings and associated lighting conforming to the requirements of AC 150/5340-1, Standards for Airport Markings.

The Contractor shall furnish, erect, and maintain markings and associated lighting of open trenches, excavations, temporary stock piles, and his/her parked construction equipment that may be hazardous to the operation of

emergency fire-rescue or maintenance vehicles on the airport in reasonable conformance to AC 150/5370-2, Operational Safety on Airports During Construction.

The Contractor shall identify each motorized vehicle or piece of construction equipment in reasonable conformance to AC 150/5370-2.

The Contractor shall furnish and erect all barricades, warning signs, and markings for hazards prior to commencing work that requires such erection and shall maintain the barricades, warning signs, and markings for hazards until their dismantling is directed by the Engineer.

Open-flame type lights shall not be permitted within the air operations areas of the airport.

To ensure that the contract contains current information as to barricades and warning signs, marking of paved areas on airports, and safety on airports during construction, the latest editions of the cited publications should be specified. Some Owners will prefer to extract the provisions of the cited publications that are applicable to the contract specifications being prepared.

70-09 USE OF EXPLOSIVES. When the use of explosives is necessary for the prosecution of the work, the Contractor shall exercise the utmost care not to endanger life or property, including new work. The Contractor shall be responsible for all damage resulting from the use of explosives.

All explosives shall be stored in a secure manner in compliance with all laws and ordinances, and all such storage places shall be clearly marked. Where no local laws or ordinances apply, storage shall be provided satisfactory to the Engineer and, in general, not closer than 1,000 feet (300 m) from the work or from any building, road, or other place of human occupancy.

The Contractor shall notify each property owner and public utility company having structures or facilities in proximity to the site of the work of his/her intention to use explosives. Such notice shall be given sufficiently in advance to enable them to take such steps as they may deem necessary to protect their property from injury.

The use of electrical blasting caps shall not be permitted on or within 1,000 feet (300 m) of the airport property.

70-10 PROTECTION AND RESTORATION OF PROPERTY AND LANDSCAPE. The Contractor shall be responsible for the preservation of all public and private property, and shall protect carefully from disturbance or damage all land monuments and property markers until the Engineer has witnessed or otherwise referenced their location and shall not move them until directed.

The Contractor shall be responsible for all damage or injury to property of any character, during the prosecution of the work, resulting from any act, omission, neglect, or misconduct in his/her manner or method of executing the work, or at any time due to defective work or materials, and said responsibility will not be released until the project shall have been completed and accepted.

When or where any direct or indirect damage or injury is done to public or private property by or on account of any act, omission, neglect, or misconduct in the execution of the work, or in consequence of the nonexecution thereof by the Contractor, he shall restore, at his/her own expense, such property to a condition similar or equal to that existing before such damage or injury was done, by repairing, or otherwise restoring as may be directed, or he shall make good such damage or injury in an acceptable manner.

70-11 RESPONSIBILITY FOR DAMAGE CLAIMS. The Contractor shall indemnify and save harmless the Engineer and the Owner and their officers, and employees from all suits actions, or claims of any character brought because of any injuries or damage received or sustained by any person, persons, or property on account of the

operations of the Contractor; or on account of or in consequence of any neglect in safeguarding the work; or through use of unacceptable materials in constructing the work; or because of any act or omission, neglect, or misconduct of said Contractor; or because of any claims or amounts recovered from any infringements of patent, trademark, or copyright; or from any claims or amounts arising or recovered under the ``Workmen's Compensation Act," or any other law, ordinance, order, or decree. Money due the Contractor under and by virtue of his/her contract as may be considered necessary by the Owner for such purpose may be retained for the use of the Owner or, in case no money is due, his/her surety may be held until such suit(s), action(s), or claim(s) for injuries or damages as aforesaid shall have been settled and suitable evidence to that effect furnished to the Owner, except that money due the Contractor will not be withheld when the Contractor produces satisfactory evidence that he is adequately protected by public liability and property damage insurance.

70-12 THIRD PARTY BENEFICIARY CLAUSE. It is specifically agreed between the parties executing the contract that it is not intended by any of the provisions of any part of the contract to create the public or any member thereof a third party beneficiary or to authorize anyone not a party to the contract to maintain a suit for personal injuries or property damage pursuant to the terms or provisions of the contract.

70-13 OPENING SECTIONS OF THE WORK TO TRAFFIC. Should it be necessary for the Contractor to complete portions of the contract work for the beneficial occupancy of the Owner prior to completion of the entire contract, such ``phasing" of the work shall be specified herein and indicated on the plans. When so specified, the Contractor shall complete such portions of the work on or before the date specified or as otherwise specified. The Contractor shall make his/her own estimate of the difficulties involved in arranging his/her work to permit such beneficial occupancy by the Owner as described below:

Phase or Description
Required Date or Sequence of Owner's Beneficial Occupancy
Work Shown on Plan Sheet

The Owner's requirements for ``phasing" the work should be coordinated with certain agencies having an interest in operational capability of the airport. Such coordination must be accomplished at the earliest possible time. See AC 150/5300-9, Predesign, Prebid, and Preconstruction Conferences for Airport Grant Projects, for more information.

The Engineer should include a section on airport safety in the bid documents that has, as a minimum, the information contained in the appendix of AC150/5370-2, Operational Safety on Airports During Construction.

Upon completion of any portion of the work listed above, such portion shall be accepted by the Owner in accordance with the subsection titled PARTIAL ACCEPTANCE of Section 50.

No portion of the work may be opened by the Contractor for public use until ordered by the Engineer in writing. Should it become necessary to open a portion of the work to public traffic on a temporary or intermittent basis, such openings shall be made when, in the opinion of the Engineer, such portion of the work is in an acceptable condition to support the intended traffic. Temporary or intermittent openings are considered to be inherent in the work and shall not constitute either acceptance of the portion of the work so opened or a waiver of any provision of the contract. Any damage to the portion of the work so opened that is not attributable to traffic which is permitted by the Owner shall be repaired by the Contractor at his/her expense.

The Contractor shall make his/her own estimate of the inherent difficulties involved in completing the work under the conditions herein described and shall not claim any added compensation by reason of delay or increased cost due to opening a portion of the contract work.

Contractor shall be required to conform to safety standards contained AC 150/5370-2, Operational Safety on Airports During Construction (See Special Provisions.)

Contractor shall refer to the approved safety plan to identify barricade requirements and other safety requirements prior to opening up sections of work to traffic.

70-14 CONTRACTOR'S RESPONSIBILITY FOR WORK. Until the Engineer's final written acceptance of the entire completed work, excepting only those portions of the work accepted in accordance with the subsection titled PARTIAL ACCEPTANCE of Section 50, the Contractor shall have the charge and care thereof and shall take every precaution against injury or damage to any part due to the action of the elements or from any other cause, whether arising from the execution or from the non-execution of the work. The Contractor shall rebuild, repair, restore, and make good all injuries or damages to any portion of the work occasioned by any of the above causes before final acceptance and shall bear the expense thereof except damage to the work due to unforeseeable causes beyond the control of and without the fault or negligence of the Contractor, including but not restricted to acts of God such as earthquake, tidal wave, tornado, hurricane or other cataclysmic phenomenon of nature, or acts of the public enemy or of government authorities.

If the work is suspended for any cause whatever, the Contractor shall be responsible for the work and shall take such precautions necessary to prevent damage to the work. The Contractor shall provide for normal drainage and shall erect necessary temporary structures, signs, or other facilities at his/her expense. During such period of suspension of work, the Contractor shall properly and continuously maintain in an acceptable growing condition all living material in newly established planting, seedings, and soddings furnished under his/her contract, and shall take adequate precautions to protect new tree growth and other important vegetative growth against injury.

70-15 CONTRACTOR'S RESPONSIBILITY FOR UTILITY SERVICE AND FACILITIES OF OTHERS. As provided in the subsection titled RESTORATION OF SURFACES DISTURBED BY OTHERS of this section, the Contractor shall cooperate with the owner of any public or private utility service, FAA or NOAA, or a utility service of another government agency that may be authorized by the owner to construct, reconstruct or maintain such utility services or facilities during the progress of the work. In addition, the Contractor shall control his/her operations to prevent the unscheduled interruption of such utility services and facilities.

To the extent that such public or private utility services, FAA, or NOAA facilities, or utility services of another governmental agency are known to exist within the limits of the contract work, the approximate locations have been indicated on the plans and the owners are indicated as follows:

Utility Service or Facility
Person to Contact (Name, Title, Address, & Phone)
Owner's Emergency Contact (Phone)

It is intended that the plans will show the approximate location of the utilities or facilities known to exist within the limits of the contract work. It is also intended that the proposed contract plans and specifications be coordinated with the various owners at the earliest possible time to avoid overlooking utility conflicts in the design and to obtain the best possible information needed to protect such utility services or facilities from damage resulting from the Contractor's operations. Where conflicts are indicated during the coordination, they should be resolved by the airport Owner and the utility owner, in accordance with existing legal agreements, by providing for work in the proposed contract or by the utility owner. In such cases of conflict, regardless of how the conflict is resolved, the airport Owner and utility owner should also be advised of the need to furnish the best information possible as to location of the utility service or facility to ensure protection during the proposed contract work.

It is understood and agreed that the Owner does not guarantee the accuracy or the completeness of the location information relating to existing utility services, facilities, or structures that may be shown on the plans or encountered in the work. Any inaccuracy or omission in such information shall not relieve the Contractor of his/her responsibility to protect such existing features from damage or unscheduled interruption of service.

It is further understood and agreed that the Contractor shall, upon execution of the contract, notify the owners of all utility services or other facilities of his/her plan of operations. Such notification shall be in writing addressed to THE PERSON TO CONTACT as provided hereinbefore in this subsection and the subsection titled RESTORATION OF SURFACES DISTURBED BY OTHERS of this section. A copy of each notification shall be given to the Engineer.

In addition to the general written notification hereinbefore provided, it shall be the responsibility of the Contractor to keep such individual owners advised of changes in his/her plan of operations that would affect such owners.

Prior to commencing the work in the general vicinity of an existing utility service or facility, the Contractor shall again notify each such owner of his/her plan of operation. If, in the Contractor's opinion, the owner's assistance is needed to locate the utility service or facility or the presence of a representative of the owner is desirable to observe the work, such advice should be included in the notification. Such notification shall be given by the most expeditious means to reach the utility owner's PERSON TO CONTACT no later than two normal business days prior to the Contractor's commencement of operations in such general vicinity. The Contractor shall furnish a written summary of the notification to the Engineer.

The Contractor's failure to give the two day's notice hereinabove provided shall be cause for the Owner to suspend the Contractor's operations in the general vicinity of a utility service or facility.

Where the outside limits of an underground utility service have been located and staked on the ground, the Contractor shall be required to use excavation methods acceptable to the Engineer within 3 feet (90 cm) of such outside limits at such points as may be required to ensure protection from damage due to the Contractor's operations.

Should the Contractor damage or interrupt the operation of a utility service or facility by accident or otherwise, he shall immediately notify the proper authority and the Engineer and shall take all reasonable measures to prevent further damage or interruption of service. The Contractor, in such events, shall cooperate with the utility service or facility owner and the Engineer continuously until such damage has been repaired and service restored to the satisfaction of the utility or facility owner.

The Contractor shall bear all costs of damage and restoration of service to any utility service or facility due to his/her operations whether or not due to negligence or accident. The Owner reserves the right to deduct such costs from any monies due or which may become due the Contractor, or his/her surety.

70-15.1 FAA FACILITIES AND CABLE RUNS. The Contractor is hereby advised that the construction limits of the project include existing facilities and buried cable runs that are owned, operated and maintained by the FAA. The Contractor, during the prosecution of the project work, shall comply with the following:

- a. The Contractor shall permit FAA maintenance personnel the right of access to the project work site for purposes of inspecting and maintaining all existing FAA owned facilities.
- b. The Contractor shall notify the above named FAA Airway Facilities Point-of-Contact seven (7) calendar days prior to commencement of construction activities in order to permit sufficient time to locate and mark existing buried cables and to schedule any required facility outages.
- c. If prosecution of the project work requires a facility outage, the Contractor shall contact the above named FAA Point-of-Contact a minimum of 48 hours prior to the time of the required outage.
- d. If prosecution of the project work results in damages to existing FAA equipment or cables, the Contractor shall repair the damaged item in conformance with FAA Airway Facilities' standards to the satisfaction of the above named FAA Point-of-Contact.

e. If the project work requires the cutting or splicing of FAA owned cables, the above named FAA Point-of-Contact shall be contacted a minimum of 48 hours prior to the time the cable work commences. The FAA reserves the right to have a FAA Airway Facilities representative on site to observe the splicing of the cables as a condition of acceptance. All cable splices are to be accomplished in accordance with FAA Airway Facilities' specifications and require approval by the above named FAA Point-of-Contact as a condition of acceptance by the Owner. The Contractor is hereby advised that FAA Airway Facilities restricts the location of where splices may be installed. If a cable splice is required in a location that is not permitted by FAA Airway Facilities, the Contractor shall furnish and install a sufficient length of new cable that eliminates the need for any splice.

The Engineer should include subsection 70-15.1 when existing FAA owned facilities and/or cable runs are located within the construction limits.

70-16 FURNISHING RIGHTS-OF-WAY. The Owner will be responsible for furnishing all rights-of-way upon which the work is to be constructed in advance of the Contractor's operations.

70-17 PERSONAL LIABILITY OF PUBLIC OFFICIALS. In carrying out any of the contract provisions or in exercising any power or authority granted to him by this contract, there shall be no liability upon the Engineer, his/her authorized representatives, or any officials of the Owner either personally or as an official of the Owner. It is understood that in such matters they act solely as agents and representatives of the Owner.

70-18 NO WAIVER OF LEGAL RIGHTS. Upon completion of the work, the Owner will expeditiously make final inspection and notify the Contractor of final acceptance. Such final acceptance, however, shall not preclude or stop the Owner from correcting any measurement, estimate, or certificate made before or after completion of the work, nor shall the Owner be precluded or stopped from recovering from the Contractor or his/her surety, or both, such overpayment as may be sustained, or by failure on the part of the Contractor to fulfill his/her obligations under the contract. A waiver on the part of the Owner of any breach of any part of the contract shall not be held to be a waiver of any other or subsequent breach.

The Contractor, without prejudice to the terms of the contract, shall be liable to the Owner for latent defects, fraud, or such gross mistakes as may amount to fraud, or as regards the owner's rights under any warranty or guaranty.

70-19 ENVIRONMENTAL PROTECTION. The Contractor shall comply with all Federal, state, and local laws and regulations controlling pollution of the environment. He shall take necessary precautions to prevent pollution of streams, lakes, ponds, and reservoirs with fuels, oils, bitumens, chemicals, or other harmful materials and to prevent pollution of the atmosphere from particulate and gaseous matter.

For AIP contracts, the contract provisions required to mitigate the environmental consequences of the contract work should be specified in the contract specifications as required generally and specifically by the Environmental Impact Statement or Assessment Report for the particular AIP project.

70-20 ARCHAEOLOGICAL AND HISTORICAL FINDINGS. Unless otherwise specified in this subsection, the Contractor is advised that the site of the work is not within any property, district, or site, and does not contain any building, structure, or object listed in the current National Register of Historic Places published by the United States Department of Interior.

Should the Contractor encounter, during his/her operations, any building, part of a building, structure, or object that is incongruous with its surroundings, he shall immediately cease operations in that location and notify the Engineer.

The Engineer will immediately investigate the Contractor's finding and the Owner will direct the Contractor to either resume his/her operations or to suspend operations as directed.

Should the Owner order suspension of the Contractor's operations in order to protect an archaeological or historical finding, or order the Contractor to perform extra work, such shall be covered by an appropriate contract modification (change order or supplemental agreement) as provided in the subsection titled EXTRA WORK of Section 40 and the subsection titled PAYMENT FOR EXTRA WORK AND FORCE ACCOUNT WORK of Section 90. If appropriate, the contract modification shall include an extension of contract time in accordance with the subsection titled DETERMINATION AND EXTENSION OF CONTRACT TIME of Section 80.

The contract language suggested in subsection 70-20 is intended to remind Owners of airports that proper planning will prevent construction delays that may be caused when objects of archaeological or historical significance are encountered in the work. Airport Owners should include in their planning the coordination with state and local planning bodies as may be required by state and local laws pertaining to the National Historic Preservation Act of 1966.

As a general rule, disposition of known archaeological or historic objects that are situated on the site of the work should be covered by a separate contract when such disposition is required as a part of FAA project approval.

END OF SECTION 70

**SECTION 80
PROSECUTION AND PROGRESS**

80-01 SUBLETTING OF CONTRACT. The Owner will not recognize any subcontractor on the work. The Contractor shall at all times when work is in progress be represented either in person, by a qualified superintendent, or by other designated, qualified representative who is duly authorized to receive and execute orders of the Engineer.

Should the Contractor elect to assign his/her contract, said assignment shall be concurred in by the surety, shall be presented for the consideration and approval of the Owner, and shall be consummated only on the written approval of the Owner. In case of approval, the Contractor shall file copies of all subcontracts with the Engineer.

The Contractor shall perform, with his organization, an amount of work equal to at least [] percent of the total contract cost.

The engineer should determine the percentage of work to be performed by the prime contractor on a project basis (typically at least 25 percent).

80-02 NOTICE TO PROCEED. The notice to proceed shall state the date on which it is expected the Contractor will begin the construction and from which date contract time will be charged. The Contractor shall begin the work to be performed under the contract within 10 days of the date set by the Engineer in the written notice to proceed, but in any event, the Contractor shall notify the Engineer at least 24 hours in advance of the time actual construction operations will begin.

80-03 PROSECUTION AND PROGRESS. Unless otherwise specified, the Contractor shall submit his/her progress schedule for the Engineer's approval within 10 days after the effective date of the notice to proceed. The Contractor's progress schedule, when approved by the Engineer, may be used to establish major construction operations and to check on the progress of the work. The Contractor shall provide sufficient materials, equipment, and labor to guarantee the completion of the project in accordance with the plans and specifications within the time set forth in the proposal.

If the Contractor falls significantly behind the submitted schedule, the Contractor shall, upon the Engineer's request, submit a revised schedule for completion of the work within the contract time and modify his/her operations to provide such additional materials, equipment, and labor necessary to meet the revised schedule. Should the prosecution of the work be discontinued for any reason, the Contractor shall notify the Engineer at least 24 hours in advance of resuming operations.

For AIP contracts, the Contractor shall not commence any actual construction prior to the date on which the notice to proceed is issued by the Owner.

It is important that the Owner issue the notice to proceed for AIP contracts because any actual construction work, performed prior to the execution of a grant agreement, (between the owner and the FAA) would be ineligible for FAA participation in its cost.

80-04 LIMITATION OF OPERATIONS. The Contractor shall control his/her operations and the operations of his/her subcontractors and all suppliers so as to provide for the free and unobstructed movement of aircraft in the AIR OPERATIONS AREAS of the airport.

When the work requires the Contractor to conduct his/her operations within an AIR OPERATIONS AREA of the airport, the work shall be coordinated with airport operations (through the Engineer) at least 48 hours prior to commencement of such work. The Contractor shall not close an AIR OPERATIONS AREA until so authorized by the Engineer and until the necessary temporary marking and associated lighting is in place as provided in the subsection titled BARRICADES, WARNING SIGNS, AND HAZARD MARKINGS of Section 70.

When the contract work requires the Contractor to work within an AIR OPERATIONS AREA (AOA) of the airport on an intermittent basis (intermittent opening and closing of the AIR OPERATIONS AREA), the Contractor shall maintain constant communications as hereinafter specified; immediately obey all instructions to vacate the AIR OPERATIONS AREA; immediately obey all instructions to resume work in such AIR OPERATIONS AREA. Failure to maintain the specified communications or to obey instructions shall be cause for suspension of the Contractor's operations in the AIR OPERATIONS AREA until the satisfactory conditions are provided. The following AIR OPERATIONS AREA cannot be closed to operating aircraft to permit the Contractor's operations on a continuous basis and will therefore be closed to aircraft operations intermittently as follows:

AOA
TIME PERIODS AOA CAN BE CLOSED
TYPE OF COMMUNICATIONS REQUIRED WHEN WORKING IN AN AOA
CONTROL AUTHORITY

It is intended that the contract provisions which limit the Contractor's operations be specified for all AIR OPERATIONS AREAS of the airport that are not intended to be closed to permit continuous construction operations. These contract provisions vary widely from airport to airport and require careful coordination (during the early stages of designing the work) with the Owner, FAA, and the users of the airport. AC 150/5300-9, Predesign, Prebid, and Preconstruction Conferences for Airport Grant Projects, contains additional information on this subject.

The Engineer should include a section on airport safety in the bid documents that has , as a minimum, the information contained in the appendix of AC150/5370-2, Operational Safety on Airports During Construction.

Contractor shall be required to conform to safety standards contained in AC 150/5370-2, Operational Safety on Airports During Construction (See Special Provisions).

80-04.1 OPERATIONAL SAFETY ON AIRPORT DURING CONSTRUCTION. All Contractors' operations shall be conducted in accordance with the project safety plan and the provisions set forth within the current version of Advisory Circular 150/5370-2. The safety plan included within the contract documents conveys minimum requirements for operational safety on the airport during construction activities. The Contractor shall prepare and submit a plan that details how it proposes to comply with the requirements presented within the safety plan.

The Contractor shall implement all necessary safety plan measures prior to commencement of any work activity. The Contractor shall conduct routine checks of the safety plan measures to assure compliance with the safety plan measures.

The Contractor is responsible to the Owner for the conduct of all subcontractors it employs on the project. The Contractor shall assure that all subcontractors are made aware of the requirements of the safety plan and that they implement and maintain all necessary measures.

No deviation or modifications may be made to the approved safety plan unless approved in writing by the Owner or Engineer.

80-05 CHARACTER OF WORKERS, METHODS, AND EQUIPMENT. The Contractor shall, at all times, employ sufficient labor and equipment for prosecuting the work to full completion in the manner and time required by the contract, plans, and specifications.

All workers shall have sufficient skill and experience to perform properly the work assigned to them. Workers engaged in special work or skilled work shall have sufficient experience in such work and in the operation of the equipment required to perform the work satisfactorily.

Any person employed by the Contractor or by any subcontractor who violates any operational regulations and, in the opinion of the Engineer, does not perform his work in a proper and skillful manner or is intemperate or disorderly shall, at the written request of the Engineer, be removed forthwith by the Contractor or subcontractor employing such person, and shall not be employed again in any portion of the work without approval of the Engineer.

Should the Contractor fail to remove such persons or person, or fail to furnish suitable and sufficient personnel for the proper prosecution of the work, the Engineer may suspend the work by written notice until compliance with such orders.

All equipment that is proposed to be used on the work shall be of sufficient size and in such mechanical condition as to meet requirements of the work and to produce a satisfactory quality of work. Equipment used on any portion of the work shall be such that no injury to previously completed work, adjacent property, or existing airport facilities will result from its use.

When the methods and equipment to be used by the Contractor in accomplishing the work are not prescribed in the contract, the Contractor is free to use any methods or equipment that will accomplish the work in conformity with the requirements of the contract, plans, and specifications.

When the contract specifies the use of certain methods and equipment, such methods and equipment shall be used unless others are authorized by the Engineer. If the Contractor desires to use a method or type of equipment other than specified in the contract, he may request authority from the Engineer to do so. The request shall be in writing and shall include a full description of the methods and equipment proposed and of the reasons for desiring to make the change. If approval is given, it will be on the condition that the Contractor will be fully responsible for producing work in conformity with contract requirements. If, after trial use of the substituted methods or equipment, the Engineer determines that the work produced does not meet contract requirements, the Contractor shall discontinue the use of the substitute method or equipment and shall complete the remaining work with the specified methods and equipment. The Contractor shall remove any deficient work and replace it with work of specified quality, or take such other corrective action as the Engineer may direct. No change will be made in basis of payment for the contract items involved nor in contract time as a result of authorizing a change in methods or equipment under this subsection.

80-06 TEMPORARY SUSPENSION OF THE WORK. The Owner shall have the authority to suspend the work wholly, or in part, for such period or periods as he may deem necessary, due to unsuitable weather, or such other conditions as are considered unfavorable for the prosecution of the work, or for such time as is necessary due to the failure on the part of the Contractor to carry out orders given or perform any or all provisions of the contract.

In the event that the Contractor is ordered by the Owner, in writing, to suspend work for some unforeseen cause not otherwise provided for in the contract and over which the Contractor has no control, the Contractor may be reimbursed for actual money expended on the work during the period of shutdown. No allowance will be made for anticipated profits. The period of shutdown shall be computed from the effective date of the Engineer's order to suspend work to the effective date of the Engineer's order to resume the work. Claims for such compensation shall be filed with the Engineer within the time period stated in the Engineer's order to resume work. The Contractor shall submit with his/her claim information substantiating the amount shown on the claim. The Engineer will forward the Contractor's claim to the Owner for consideration in accordance with local laws or ordinances. No provision of this article shall be construed as entitling the Contractor to compensation for delays due to inclement weather, for suspensions made at the request of the Owner, or for any other delay provided for in the contract, plans, or specifications.

If it should become necessary to suspend work for an indefinite period, the Contractor shall store all materials in such manner that they will not become an obstruction nor become damaged in any way. He shall take every precaution to prevent damage or deterioration of the work performed and provide for normal drainage of the work. The Contractor shall erect temporary structures where necessary to provide for traffic on, to, or from the airport.

80-07 DETERMINATION AND EXTENSION OF CONTRACT TIME. The number of calendar or working days allowed for completion of the work shall be stated in the proposal and contract and shall be known as the CONTRACT TIME.

Should the contract time require extension for reasons beyond the Contractor's control, it shall be adjusted as follows:

a. CONTRACT TIME based on WORKING DAYS shall be calculated weekly by the Engineer. The Engineer will furnish the Contractor a copy of his/her weekly statement of the number of working days charged against the contract time during the week and the number of working days currently specified for completion of the contract (the original contract time plus the number of working days, if any, that have been included in approved CHANGE ORDERS or SUPPLEMENTAL AGREEMENTS covering EXTRA WORK).

The Engineer shall base his/her weekly statement of contract time charged on the following considerations:

(1) No time shall be charged for days on which the Contractor is unable to proceed with the principal item of work under construction at the time for at least 6 hours with the normal work force employed on such principal item. Should the normal work force be on a double-shift, 12 hours shall be used. Should the normal work force be on a triple-shift, 18 hours shall apply. Conditions beyond the Contractor's control such as strikes, lockouts, unusual delays in transportation, temporary suspension of the principal item of work under construction or temporary suspension of the entire work which have been ordered by the Owner for reasons not the fault of the Contractor, shall not be charged against the contract time.

(2) The Engineer will not make charges against the contract time prior to the effective date of the notice to proceed.

(3) The Engineer will begin charges against the contract time on the first working day after the effective date of the notice to proceed.

(4) The Engineer will not make charges against the contract time after the date of final acceptance as defined in the subsection titled FINAL ACCEPTANCE of Section 50.

(5) The Contractor will be allowed 1 week in which to file a written protest setting forth his/her objections to the Engineer's weekly statement. If no objection is filed within such specified time, the weekly statement shall be considered as acceptable to the Contractor.

The contract time (stated in the proposal) is based on the originally estimated quantities as described in the subsection titled INTERPRETATION OF ESTIMATED PROPOSAL QUANTITIES of Section 20. Should the satisfactory completion of the contract require performance of work in greater quantities than those estimated in the proposal, the contract time shall be increased in the same proportion as the cost of the actually completed quantities bears to the cost of the originally estimated quantities in the proposal. Such increase in contract time shall not consider either the cost of work or the extension of contract time that has been covered by change order or supplemental agreement and shall be made at the time of final payment.

b. CONTRACT TIME based on CALENDAR DAYS shall consist of the number of calendar days stated in the contract counting from the effective date of the notice to proceed and including all Saturdays, Sundays, holidays, and nonwork days. All calendar days elapsing between the effective dates of the Owner's orders to suspend and resume all work, due to causes not the fault of the Contractor, shall be excluded.

At the time of final payment, the contract time shall be increased in the same proportion as the cost of the actually completed quantities bears to the cost of the originally estimated quantities in the proposal. Such increase in the

contract time shall not consider either cost of work or the extension of contract time that has been covered by a change order or supplemental agreement. Charges against the contract time will cease as of the date of final acceptance.

c. When the contract time is a specified completion date, it shall be the date on which all contract work shall be substantially completed.

If the Contractor finds it impossible for reasons beyond his/her control to complete the work within the contract time as specified, or as extended in accordance with the provisions of this subsection, he may, at any time prior to the expiration of the contract time as extended, make a written request to the Engineer for an extension of time setting forth the reasons which he believes will justify the granting of his/her request. Requests for extension of time on calendar day projects, caused by inclement weather, shall be supported with National Weather Bureau data showing the actual amount of inclement weather exceeded which could normally be expected during the contract period. The Contractor's plea that insufficient time was specified is not a valid reason for extension of time. If the Engineer finds that the work was delayed because of conditions beyond the control and without the fault of the Contractor, he may extend the time for completion in such amount as the conditions justify. The extended time for completion shall then be in full force and effect, the same as though it were the original time for completion.

80-08 FAILURE TO COMPLETE ON TIME. For each calendar day or working day, as specified in the contract, that any work remains uncompleted after the contract time (including all extensions and adjustments as provided in the subsection titled DETERMINATION AND EXTENSION OF CONTRACT TIME of this Section) the sum specified in the contract and proposal as liquidated damages will be deducted from any money due or to become due the Contractor or his/her surety. Such deducted sums shall not be deducted as a penalty but shall be considered as liquidation of a reasonable portion of damages including but not limited to additional engineering services that will be incurred by the Owner should the Contractor fail to complete the work in the time provided in his/her contract.

SCHEDULE	LIQUIDATED DAMAGES COST	ALLOWED CONSTRUCTION TIME

The Engineer should list the liquidated damages cost per schedule and allowed construction time per schedule to clarify when more than one schedule of work is bid, or in the event all schedules bid cannot be awarded.

The maximum construction time allowed for Schedules [] will be the sum of the time allowed for individual schedules but not more than [] days. (Note: this paragraph will be modified for each project.)

Permitting the Contractor to continue and finish the work or any part of it after the time fixed for its completion, or after the date to which the time for completion may have been extended, will in no way operate as a wavier on the part of the Owner of any of its rights under the contract.

The contract time is an essential part of each contract for construction on airports and should be considered carefully in the preparation of plans and specifications.

In selecting the method of specifying the contract time (working days, calendar days, or a specified completion date), the primary consideration should be the impact on the operations of the airport should the Contractor be unable to complete the work within the time specified. These considerations should be coordinated with the airport users as indicated in

AC 150/5300-9, Predesign, Prebid, and Preconstruction Conferences for Airport Grant Projects.

The amount of liquidated damages to be specified should be tailored to each contract and should be based on the cost per day incurred by the Owner should the Contractor overrun the contract time. For large airports (where the impact on airport operations may be great), it is not practical for the Owner to attempt to recover all loss of revenue through liquidated damages. Consequently, the amount of liquidated damages specified must be balanced somewhere between the cost per day incurred for a time overrun and the cost that bidders would have to add to their bids to cover the contingency of a time overrun.

Generally speaking, contract time is based on working days when completion is not critical to operation of the airport. As the impact on airport operations increases, the use of calendar days will give more control. Use of a specified completion date should be used only in cases where the construction operations require long-range rescheduling of airport operations. Also, generally speaking, the amount of liquidated damages would be greater for a calendar day contract than for a working day contract and would be greatest for a specified completion date contract.

80-09 DEFAULT AND TERMINATION OF CONTRACT. The Contractor shall be considered in default of his/her contract and such default will be considered as cause for the Owner to terminate the contract for any of the following reasons if the Contractor:

- a. Fails to begin the work under the contract within the time specified in the "Notice to Proceed," or
- b. Fails to perform the work or fails to provide sufficient workers, equipment or materials to assure completion of work in accordance with the terms of the contract, or
- c. Performs the work unsuitably or neglects or refuses to remove materials or to perform anew such work as may be rejected as unacceptable and unsuitable, or
- d. Discontinues the prosecution of the work, or
- e. Fails to resume work which has been discontinued within a reasonable time after notice to do so, or
- f. Becomes insolvent or is declared bankrupt, or commits any act of bankruptcy or insolvency, or
- g. Allows any final judgment to stand against him unsatisfied for a period of 10 days, or
- h. Makes an assignment for the benefit of creditors, or
- i. For any other cause whatsoever, fails to carry on the work in an acceptable manner.

Should the Engineer consider the Contractor in default of the contract for any reason hereinbefore, he shall immediately give written notice to the Contractor and the Contractor's surety as to the reasons for considering the Contractor in default and the Owner's intentions to terminate the contract.

If the Contractor or surety, within a period of 10 days after such notice, does not proceed in accordance therewith, then the Owner will, upon written notification from the Engineer of the facts of such delay, neglect, or default and the Contractor's failure to comply with such notice, have full power and authority without violating the contract, to take the prosecution of the work out of the hands of the Contractor. The Owner may appropriate or use any or all materials and equipment that have been mobilized for use in the work and are acceptable and may enter into an agreement for the completion of said contract according to the terms and provisions thereof, or use such other

methods as in the opinion of the Engineer will be required for the completion of said contract in an acceptable manner.

All costs and charges incurred by the Owner, together with the cost of completing the work under contract, will be deducted from any monies due or which may become due the Contractor. If such expense exceeds the sum which would have been payable under the contract, then the Contractor and the surety shall be liable and shall pay to the Owner the amount of such excess.

80-10 TERMINATION FOR NATIONAL EMERGENCIES. The Owner shall terminate the contract or portion thereof by written notice when the Contractor is prevented from proceeding with the construction contract as a direct result of an Executive Order of the President with respect to the prosecution of war or in the interest of national defense.

When the contract, or any portion thereof, is terminated before completion of all items of work in the contract, payment will be made for the actual number of units or items of work completed at the contract price or as mutually agreed for items of work partially completed or not started. No claims or loss of anticipated profits shall be considered.

Reimbursement for organization of the work, and other overhead expenses, (when not otherwise included in the contract) and moving equipment and materials to and from the job will be considered, the intent being that an equitable settlement will be made with the Contractor.

Acceptable materials, obtained or ordered by the Contractor for the work and that are not incorporated in the work shall, at the option of the Contractor, be purchased from the Contractor at actual cost as shown by receipted bills and actual cost records at such points of delivery as may be designated by the Engineer.

Termination of the contract or a portion thereof shall neither relieve the Contractor of his/her responsibilities for the completed work nor shall it relieve his/her surety of its obligation for and concerning any just claim arising out of the work performed.

80-11 WORK AREA, STORAGE AREA AND SEQUENCE OF OPERATIONS. The Contractor shall obtain approval from the Engineer prior to beginning any work in all areas of the airport. No operating runway, taxiway, or Air Operations Area (AOA) shall be crossed, entered, or obstructed while it is operational. The Contractor shall plan and coordinate his/her work in such a manner as to insure safety and a minimum of hindrance to flight operations. All Contractor equipment and material stockpiles shall be stored a minimum of [] feet from the centerline of an active runway. No equipment will be allowed to park within the approach area of an active runway at any time. No equipment shall be within [] feet of an active runway at any time.

END OF SECTION 80

Intentionally Left Blank

SECTION 90 MEASUREMENT AND PAYMENT

90-01 MEASUREMENT OF QUANTITIES. All work completed under the contract will be measured by the Engineer, or his/her authorized representatives, using United States Customary Units of Measurement or the International System of Units.

The method of measurement and computations to be used in determination of quantities of material furnished and of work performed under the contract will be those methods generally recognized as conforming to good engineering practice.

Unless otherwise specified, longitudinal measurements for area computations will be made horizontally, and no deductions will be made for individual fixtures (or leave-outs) having an area of 9 square feet (0.8 square meter) or less. Unless otherwise specified, transverse measurements for area computations will be the neat dimensions shown on the plans or ordered in writing by the Engineer.

Structures will be measured according to neat lines shown on the plans or as altered to fit field conditions.

Unless otherwise specified, all contract items which are measured by the linear foot such as electrical ducts, conduits, pipe culverts, underdrains, and similar items shall be measured parallel to the base or foundation upon which such items are placed.

In computing volumes of excavation the average end area method or other acceptable methods will be used.

The thickness of plates and galvanized sheet used in the manufacture of corrugated metal pipe, metal plate pipe culverts and arches, and metal cribbing will be specified and measured in decimal fraction of inches.

The term "ton" will mean the short ton consisting of 2,000 pounds (907 kilograms) avoirdupois. All materials that are measured or proportioned by weights shall be weighed on accurate, approved scales by competent, qualified personnel at locations designed by the Engineer. If material is shipped by rail, the car weight may be accepted provided that only the actual weight of material is paid for. However, car weights will not be acceptable for material to be passed through mixing plants. Trucks used to haul material being paid for by weight shall be weighed empty daily at such times as the Engineer directs, and each truck shall bear a plainly legible identification mark.

Materials to be measured by volume in the hauling vehicle shall be hauled in approved vehicles and measured therein at the point of delivery. Vehicles for this purpose may be of any size or type acceptable to the Engineer, provided that the body is of such shape that the actual contents may be readily and accurately determined. All vehicles shall be loaded to at least their water level capacity, and all loads shall be leveled when the vehicles arrive at the point of delivery.

When requested by the Contractor and approved by the Engineer in writing, material specified to be measured by the cubic yard (cubic meter) may be weighed, and such weights will be converted to cubic yards (cubic meters) for payment purposes. Factors for conversion from weight measurement to volume measurement will be determined by the Engineer and shall be agreed to by the Contractor before such method of measurement of pay quantities is used.

Bituminous materials will be measured by the gallon (liter) or ton (kilogram). When measured by volume, such volumes will be measured at 60 F (15 C) or will be corrected to the volume at 60 F (15 C) using ASTM D 1250 for asphalts or ASTM D 633 for tars.

Net certified scale weights or weights based on certified volumes in the case of rail shipments will be used as a basis of measurement, subject to correction when bituminous material has been lost from the car or the distributor, wasted, or otherwise not incorporated in the work.

When bituminous materials are shipped by truck or transport, net certified weights by volume, subject to correction for loss or foaming, may be used for computing quantities.

Cement will be measured by the ton (kilogram) or hundredweight (kilogram).

Timber will be measured by the thousand feet board measure (M.F.B.M.) actually incorporated in the structure. Measurement will be based on nominal widths and thicknesses and the extreme length of each piece.

The term "lump sum" when used as an item of payment will mean complete payment for the work described in the contract.

When a complete structure or structural unit (in effect, "lump sum" work) is specified as the unit of measurement, the unit will be construed to include all necessary fittings and accessories.

Rental of equipment will be measured by time in hours of actual working time and necessary traveling time of the equipment within the limits of the work. Special equipment ordered by the Engineer in connection with force account work will be measured as agreed in the change order or supplemental agreement authorizing such force account work as provided in the subsection titled PAYMENT FOR EXTRA AND FORCE ACCOUNT WORK of this section.

When standard manufactured items are specified such as fence, wire, plates, rolled shapes, pipe conduit, etc., and these items are identified by gage, unit weight, section dimensions, etc., such identification will be considered to be nominal weights or dimensions. Unless more stringently controlled by tolerances in cited specifications, manufacturing tolerances established by the industries involved will be accepted.

Scales for weighing materials which are required to be proportioned or measured and paid for by weight shall be furnished, erected, and maintained by the Contractor, or be certified permanently installed commercial scales.

Scales shall be accurate within one-half percent of the correct weight throughout the range of use. The Contractor shall have the scales checked under the observation of the inspector before beginning work and at such other times as requested. The intervals shall be uniform in spacing throughout the graduated or marked length of the beam or dial and shall not exceed one-tenth of 1 percent of the nominal rated capacity of the scale, but not less than 1 pound (454 grams). The use of spring balances will not be permitted.

Beams, dials, platforms, and other scale equipment shall be so arranged that the operator and the inspector can safely and conveniently view them.

Scale installations shall have available ten standard 50-pound (2.3 kilogram) weights for testing the weighing equipment or suitable weights and devices for other approved equipment.

Scales must be tested for accuracy and serviced before use at a new site. Platform scales shall be installed and maintained with the platform level and rigid bulkheads at each end.

Scales "overweighing" (indicating more than correct weight) will not be permitted to operate, and all materials received subsequent to the last previous correct weighting-accuracy test will be reduced by the percentage of error in excess of one-half of 1 percent.

In the event inspection reveals the scales have been "underweighing" (indicating less than correct weight), they shall be adjusted, and no additional payment to the Contractor will be allowed for materials previously weighed and recorded.

All costs in connection with furnishing, installing, certifying, testing, and maintaining scales; for furnishing check weights and scale house; and for all other items specified in this subsection, for the weighing of materials for proportioning or payment, shall be included in the unit contract prices for the various items of the project.

When the estimated quantities for a specific portion of the work are designated as the pay quantities in the contract, they shall be the final quantities for which payment for such specific portion of the work will be made, unless the dimensions of said portions of the work shown on the plans are revised by the Engineer. If revised dimensions

result in an increase or decrease in the quantities of such work, the final quantities for payment will be revised in the amount represented by the authorized changes in the dimensions.

90-02 SCOPE OF PAYMENT. The Contractor shall receive and accept compensation provided for in the contract as full payment for furnishing all materials, for performing all work under the contract in a complete and acceptable manner, and for all risk, loss, damage, or expense of whatever character arising out of the nature of the work or the prosecution thereof, subject to the provisions of the subsection titled NO WAIVER OF LEGAL RIGHTS of Section 70.

When the "basis of payment" subsection of a technical specification requires that the contract price (price bid) include compensation for certain work or material essential to the item, this same work or material will not also be measured for payment under any other contract item which may appear elsewhere in the contract, plans, or specifications.

90-03 COMPENSATION FOR ALTERED QUANTITIES. When the accepted quantities of work vary from the quantities in the proposal, the Contractor shall accept as payment in full, so far as contract items are concerned, payment at the original contract price for the accepted quantities of work actually completed and accepted. No allowance, except as provided for in the subsection titled ALTERATION OF WORK AND QUANTITIES of Section 40 will be made for any increased expense, loss of expected reimbursement, or loss of anticipated profits suffered or claimed by the Contractor which results directly from such alterations or indirectly from his/her unbalanced allocation of overhead and profit among the contract items, or from any other cause.

90-04 PAYMENT FOR OMITTED ITEMS. As specified in the subsection titled OMITTED ITEMS of Section 40, the Engineer shall have the right to omit from the work (order nonperformance) any contract item, except major contract items, in the best interest of the Owner.

Should the Engineer omit or order nonperformance of a contract item or portion of such item from the work, the Contractor shall accept payment in full at the contract prices for any work actually completed and acceptable prior to the Engineer's order to omit or nonperform such contract item.

Acceptable materials ordered by the Contractor or delivered on the work prior to the date of the Engineer's order will be paid for at the actual cost to the Contractor and shall thereupon become the property of the Owner.

In addition to the reimbursement hereinbefore provided, the Contractor shall be reimbursed for all actual costs incurred for the purpose of performing the omitted contract item prior to the date of the Engineer's order. Such additional costs incurred by the Contractor must be directly related to the deleted contract item and shall be supported by certified statements by the Contractor as to the nature the amount of such costs.

90-05 PAYMENT FOR EXTRA AND FORCE ACCOUNT WORK. Extra work, performed in accordance with the subsection titled EXTRA WORK of Section 40, will be paid for at the contract prices or agreed prices specified in the change order or supplemental agreement authorizing the extra work. When the change order or supplemental agreement authorizing the extra work requires that it be done by force account, such force account shall be measured and paid for based on expended labor, equipment, and materials plus a negotiated and agreed upon allowance for overhead and profit.

a. Miscellaneous. No additional allowance will be made for general superintendence, the use of small tools, or other costs for which no specific allowance is herein provided.

b. Comparison of Record. The Contractor and the Engineer shall compare records of the cost of force account work at the end of each day. Agreement shall be indicated by signature of the Contractor and the Engineer or their duly authorized representatives.

c. Statement. No payment will be made for work performed on a force account basis until the Contractor has furnished the Engineer with duplicate itemized statements of the cost of such force account work detailed as follows:

- (1) Name, classification, date, daily hours, total hours, rate and extension for each laborer and foreman.

(2) Designation, dates, daily hours, total hours, rental rate, and extension for each unit of machinery and equipment.

(3) Quantities of materials, prices, and extensions.

(4) Transportation of materials.

(5) Cost of property damage, liability and workman's compensation insurance premiums, unemployment insurance contributions, and social security tax.

Statements shall be accompanied and supported by a receipted invoice for all materials used and transportation charges. However, if materials used on the force account work are not specifically purchased for such work but are taken from the Contractor's stock, then in lieu of the invoices the Contractor shall furnish an affidavit certifying that such materials were taken from his/her stock, that the quantity claimed was actually used, and that the price and transportation claimed represent the actual cost to the Contractor.

90-06 PARTIAL PAYMENTS. Partial payments will be made at least once each month as the work progresses. Said payments will be based upon estimates prepared by the Engineer of the value of the work performed and materials complete in place in accordance with the contract, plans, and specifications. Such partial payments may also include the delivered actual cost of those materials stockpiled and stored in accordance with the subsection titled PAYMENT FOR MATERIALS ON HAND of this section.

No partial payment will be made when the amount due the Contractor since the last estimate amounts to less than five hundred dollars.

From the total of the amount determined to be payable on a partial payment, 10 percent of such total amount will be deducted and retained by the Owner until the final payment is made, except as may be provided (at the Contractor's option) in the subsection titled PAYMENT OF WITHHELD FUNDS of this section. The balance (90 percent) of the amount payable, less all previous payments, shall be certified for payment. Should the Contractor exercise his/her option, as provided in the subsection titled PAYMENT OF WITHHELD FUNDS of this section, no such 10 percent retainage shall be deducted.

When not less than 95 percent of the work has been completed, the Engineer may, at the Owner's discretion and with the consent of the surety, prepare an estimate from which will be retained an amount not less than twice the contract value or estimated cost, whichever is greater, of the work remaining to be done. The remainder, less all previous payments and deductions, will then be certified for payment to the Contractor.

It is understood and agreed that the Contractor shall not be entitled to demand or receive partial payment based on quantities of work in excess of those provided in the proposal or covered by approved change orders or supplemental agreements, except when such excess quantities have been determined by the Engineer to be a part of the final quantity for the item of work in question.

No partial payment shall bind the Owner to the acceptance of any materials or work in place as to quality or quantity. All partial payments are subject to correction at the time of final payment as provided in the subsection titled ACCEPTANCE AND FINAL PAYMENT of this section.

The Contractor shall deliver to the Owner a complete release of all claims for labor and material arising out of this contract before the final retained percentage or final payment is made. If any subcontractor or supplier fails to furnish such a release in full, the Contractor may furnish a bond or other collateral satisfactory to the Owner to indemnify the Owner against any potential lien or other such claim. The bond or collateral shall include all costs, expenses, and attorney fees the Owner may be compelled to pay in discharging any such lien or claim.

In some areas, release of liens prior to paying the full amount to the prime contractor may void the contract. In those areas, revise the previous paragraph as required to meet all state and local regulations.

90-07 PAYMENT FOR MATERIALS ON HAND. Partial payments may be made to the extent of the delivered cost of materials to be incorporated in the work, provided that such materials meet the requirements of the contract, plans, and specifications and are delivered to acceptable sites on the airport property or at other sites in the vicinity that are acceptable to the Owner. Such delivered costs of stored or stockpiled materials may be included in the next partial payment after the following conditions are met:

- a. The material has been stored or stockpiled in a manner acceptable to the Engineer at or on an approved site.
- b. The Contractor has furnished the Engineer with acceptable evidence of the quantity and quality of such stored or stockpiled materials.
- c. The Contractor has furnished the Engineer with satisfactory evidence that the material and transportation costs have been paid.
- d. The Contractor has furnished the Owner legal title (free of liens or encumbrances of any kind) to the material so stored or stockpiled.
- e. The Contractor has furnished the Owner evidence that the material so stored or stockpiled is insured against loss by damage to or disappearance of such materials at anytime prior to use in the work.

It is understood and agreed that the transfer of title and the Owner's payment for such stored or stockpiled materials shall in no way relieve the Contractor of his/her responsibility for furnishing and placing such materials in accordance with the requirements of the contract, plans, and specifications.

In no case will the amount of partial payments for materials on hand exceed the contract price for such materials or the contract price for the contract item in which the material is intended to be used.

No partial payment will be made for stored or stockpiled living or perishable plant materials.

The Contractor shall bear all costs associated with the partial payment of stored or stockpiled materials in accordance with the provisions of this subsection.

90-08 PAYMENT OF WITHHELD FUNDS. At the Contractor's option, he/she may request that the Owner accept (in lieu of the 10 percent retainage on partial payments described in the subsection titled PARTIAL PAYMENTS of this section) the Contractor's deposits in escrow under the following conditions.

- a. The Contractor shall bear all expenses of establishing and maintaining an escrow account and escrow agreement acceptable to the Owner.
- b. The Contractor shall deposit to and maintain in such escrow only those securities or bank certificates of deposit as are acceptable to the Owner and having a value not less than the 10 percent retainage that would otherwise be withheld from partial payment.
- c. The Contractor shall enter into an escrow agreement satisfactory to the Owner.
- d. The Contractor shall obtain the written consent of the surety to such agreement.

90-09 ACCEPTANCE AND FINAL PAYMENT. When the contract work has been accepted in accordance with the requirements of the subsection titled FINAL ACCEPTANCE of Section 50, the Engineer will prepare the final estimate of the items of work actually performed. The Contractor shall approve the Engineer's final estimate or advise the Engineer of his/her objections to the final estimate which are based on disputes in measurements or computations of the final quantities to be paid under the contract as amended by change order or supplemental agreement. The Contractor and the Engineer shall resolve all disputes (if any) in the measurement and computation of final quantities to be paid within 30 calendar days of the Contractor's receipt of the Engineer's final estimate. If, after such 30-day period, a dispute still exists, the Contractor may approve the Engineer's estimate under protest of the quantities in dispute, and such disputed quantities shall be considered by the Owner as a claim in accordance with the subsection titled CLAIMS FOR ADJUSTMENT AND DISPUTES of Section 50.

After the Contractor has approved, or approved under protest, the Engineer's final estimate, final payment will be processed based on the entire sum, or the undisputed sum in case of approval under protest, determined to be due the Contractor less all previous payments and all amounts to be deducted under the provisions of the contract. All prior partial estimates and payments shall be subject to correction in the final estimate and payment.

If the Contractor has filed a claim for additional compensation under the provisions of the subsection titled CLAIMS FOR ADJUSTMENTS AND DISPUTES of Section 50 or under the provisions of this subsection, such claims will be considered by the Owner in accordance with local laws or ordinances. Upon final adjudication of such claims, any additional payment determined to be due the Contractor will be paid pursuant to a supplemental final estimate.

END OF SECTION 90

**SECTION 100
CONTRACTOR QUALITY CONTROL PROGRAM**

100-01 GENERAL. When the specification requires a Contractor Quality Control Program, the Contractor shall establish, provide, and maintain an effective Quality Control Program that details the methods and procedures that will be taken to assure that all materials and completed construction required by this contract conform to contract plans, technical specifications and other requirements, whether manufactured by the Contractor, or procured from subcontractors or vendors. Although guidelines are established and certain minimum requirements are specified herein and elsewhere in the contract technical specifications, the Contractor shall assume full responsibility for accomplishing the stated purpose.

The intent of this section is to enable the Contractor to establish a necessary level of control that will:

- a. Adequately provide for the production of acceptable quality materials.
- b. Provide sufficient information to assure both the Contractor and the Engineer that the specification requirements can be met.
- c. Allow the Contractor as much latitude as possible to develop his or her own standard of control.

The Contractor shall be prepared to discuss and present, at the preconstruction conference, his/her understanding of the quality control requirements. The Contractor shall not begin any construction or production of materials to be incorporated into the completed work until the Quality Control Program has been reviewed by the Engineer. No partial payment will be made for materials subject to specific quality control requirements until the Quality Control Program has been reviewed.

The quality control requirements contained in this section and elsewhere in the contract technical specifications are in addition to and separate from the acceptance testing requirements. Acceptance testing requirements are the responsibility of the Engineer.

100-02 DESCRIPTION OF PROGRAM.

a. General Description. The Contractor shall establish a Quality Control Program to perform inspection and testing of all items of work required by the technical specifications, including those performed by subcontractors. This Quality Control Program shall ensure conformance to applicable specifications and plans with respect to materials, workmanship, construction, finish, and functional performance. The Quality Control Program shall be effective for control of all construction work performed under this Contract and shall specifically include surveillance and tests required by the technical specifications, in addition to other requirements of this section and any other activities deemed necessary by the Contractor to establish an effective level of quality control.

b. Quality Control Program. The Contractor shall describe the Quality Control Program in a written document that shall be reviewed by the Engineer prior to the start of any production, construction, or off-site fabrication. The written Quality Control Program shall be submitted to the Engineer for review at least [] calendar days before the [].

The Engineer should choose an adequate period for review. A minimum of 5 days before the preconstruction conference or the start of work is recommended.

Submittal of the written Quality Control Program prior to the preconstruction conference will allow the Engineer to review the contents and make suggestions at the preconstruction meeting.

Submittal of the written Quality Control Program prior to the start of work will allow for detailed discussion of the requirements at the preconstruction meeting. This will give the Contractor a better understanding of the requirements before developing the Quality Control Program.

When selecting the required days for the contractor to submit the Quality Control program, adequate time should be allowed for the Quality Control Program to be a supplement to the Owner's Construction Management Plan.

The Quality Control Program shall be organized to address, as a minimum, the following items:

- a. Quality control organization;
- b. Project progress schedule;
- c. Submittals schedule;
- d. Inspection requirements;
- e. Quality control testing plan;
- f. Documentation of quality control activities; and
- g. Requirements for corrective action when quality control and/or acceptance criteria are not met.

The Contractor is encouraged to add any additional elements to the Quality Control Program that he/she deems necessary to adequately control all production and/or construction processes required by this contract.

100-03 QUALITY CONTROL ORGANIZATION. The Contractor Quality Control Program shall be implemented by the establishment of a separate quality control organization. An organizational chart shall be developed to show all quality control personnel and how these personnel integrate with other management/production and construction functions and personnel.

The organizational chart shall identify all quality control staff by name and function, and shall indicate the total staff required to implement all elements of the Quality Control Program, including inspection and testing for each item of work. If necessary, different technicians can be utilized for specific inspection and testing functions for different items of work. If an outside organization or independent testing laboratory is used for implementation of all or part of the Quality Control Program, the personnel assigned shall be subject to the qualification requirements of paragraph 100-03a and 100-03b. The organizational chart shall indicate which personnel are Contractor employees and which are provided by an outside organization.

The quality control organization shall consist of the following minimum personnel:

a. Program Administrator. The Program Administrator shall be a full-time employee of the Contractor, or a consultant engaged by the Contractor. The Program Administrator shall have a minimum of 5 years of experience in airport and/or highway construction and shall have had prior quality control experience on a project of comparable size and scope as the contract.

Additional qualifications for the Program Administrator shall include at least 1 of the following requirements:

- (1) Professional engineer with 1 year of airport paving experience acceptable to the Engineer.
- (2) Engineer-in-training with 2 years of airport paving experience acceptable to the Engineer.

(3) An individual with 3 years of highway and/or airport paving experience acceptable to the Engineer, with a Bachelor of Science Degree in Civil Engineering, Civil Engineering Technology or Construction.

(4) Construction materials technician certified at Level III by the National Institute for Certification in Engineering Technologies (NICET).

(5) Highway materials technician certified at Level III by NICET.

(6) Highway construction technician certified at Level III by NICET.

(7) A NICET certified engineering technician in Civil Engineering Technology with 5 years of highway and/or airport paving experience acceptable to the Engineer.

The Program Administrator shall have full authority to institute any and all actions necessary for the successful implementation of the Quality Control Program to ensure compliance with the contract plans and technical specifications. The Program Administrator shall report directly to a responsible officer of the construction firm. The Program Administrator may supervise the Quality Control Program on more than one project provided that person can be at the job site within 2 hours after being notified of a problem.

If, in the opinion of the Engineer, the project is of sufficient scope and size to warrant a full time, on-site Program Administrator, paragraph 100-03a should be modified accordingly.

b. Quality Control Technicians. A sufficient number of quality control technicians necessary to adequately implement the Quality Control Program shall be provided. These personnel shall be either engineers, engineering technicians, or experienced craftsman with qualifications in the appropriate field equivalent to NICET Level II or higher construction materials technician or highway construction technician and shall have a minimum of 2 years of experience in their area of expertise.

The quality control technicians shall report directly to the Program Administrator and shall perform the following functions:

(1) Inspection of all materials, construction, plant, and equipment for conformance to the technical specifications, and as required by Section 100-06.

(2) Performance of all quality control tests as required by the technical specifications and Section 100-07.

Certification at an equivalent level, by a state or nationally recognized organization will be acceptable in lieu of NICET certification.

c. Staffing Levels. The Contractor shall provide sufficient qualified quality control personnel to monitor each work activity at all times. Where material is being produced in a plant for incorporation into the work, separate plant and field technicians shall be provided at each plant and field placement location. The scheduling and coordinating of all inspection and testing must match the type and pace of work activity. The Quality Control Program shall state where different technicians will be required for different work elements.

100-04 PROJECT PROGRESS SCHEDULE. The Contractor shall submit a coordinated construction schedule for all work activities. The schedule shall be prepared as a network diagram in Critical Path Method (CPM), PERT, or other format, or as otherwise specified in the contract. As a minimum, it shall provide information on the sequence of work activities, milestone dates, and activity duration.

The Contractor shall maintain the work schedule and provide an update and analysis of the progress schedule on a twice monthly basis, or as otherwise specified in the contract. Submission of the work schedule shall not relieve the

Contractor of overall responsibility for scheduling, sequencing, and coordinating all work to comply with the requirements of the contract.

100-05 SUBMITTALS SCHEDULE. The Contractor shall submit a detailed listing of all submittals (e.g., mix designs, material certifications) and shop drawings required by the technical specifications. The listing can be developed in a spreadsheet format and shall include:

- a. Specification item number;
- b. Item description;
- c. Description of submittal;
- d. Specification paragraph requiring submittal; and
- e. Scheduled date of submittal.

100-06 INSPECTION REQUIREMENTS. Quality control inspection functions shall be organized to provide inspections for all definable features of work, as detailed below. All inspections shall be documented by the Contractor as specified by Section 100-07.

Inspections shall be performed daily to ensure continuing compliance with contract requirements until completion of the particular feature of work. These shall include the following minimum requirements:

a. During plant operation for material production, quality control test results and periodic inspections shall be utilized to ensure the quality of aggregates and other mix components, and to adjust and control mix proportioning to meet the approved mix design and other requirements of the technical specifications. All equipment utilized in proportioning and mixing shall be inspected to ensure its proper operating condition. The Quality Control Program shall detail how these and other quality control functions will be accomplished and utilized.

b. During field operations, quality control test results and periodic inspections shall be utilized to ensure the quality of all materials and workmanship. All equipment utilized in placing, finishing, and compacting shall be inspected to ensure its proper operating condition and to ensure that all such operations are in conformance to the technical specifications and are within the plan dimensions, lines, grades, and tolerances specified. The Program shall document how these and other quality control functions will be accomplished and utilized.

100-07 QUALITY CONTROL TESTING PLAN. As a part of the overall Quality Control Program, the Contractor shall implement a quality control testing plan, as required by the technical specifications. The testing plan shall include the minimum tests and test frequencies required by each technical specification Item, as well as any additional quality control tests that the Contractor deems necessary to adequately control production and/or construction processes.

The testing plan can be developed in a spreadsheet fashion and shall, as a minimum, include the following:

- a. Specification item number (e.g., P-401);
- b. Item description (e.g., Plant Mix Bituminous Pavements);
- c. Test type (e.g., gradation, grade, asphalt content);
- d. Test standard (e.g., ASTM or AASHTO test number, as applicable);
- e. Test frequency (e.g., as required by technical specifications or minimum frequency when requirements are not stated);
- f. Responsibility (e.g., plant technician); and
- g. Control requirements (e.g., target, permissible deviations).

The testing plan shall contain a statistically-based procedure of random sampling for acquiring test samples in accordance with ASTM D 3665. The Engineer shall be provided the opportunity to witness quality control sampling and testing.

All quality control test results shall be documented by the Contractor as required by Section 100-08.

100-08 DOCUMENTATION. The Contractor shall maintain current quality control records of all inspections and tests performed. These records shall include factual evidence that the required inspections or tests have been

performed, including type and number of inspections or tests involved; results of inspections or tests; nature of defects, deviations, causes for rejection, etc.; proposed remedial action; and corrective actions taken.

These records must cover both conforming and defective or deficient features, and must include a statement that all supplies and materials incorporated in the work are in full compliance with the terms of the contract. Legible copies of these records shall be furnished to the Engineer daily. The records shall cover all work placed subsequent to the previously furnished records and shall be verified and signed by the Contractor's Program Administrator.

Specific Contractor quality control records required for the contract shall include, but are not necessarily limited to, the following records:

a. Daily Inspection Reports. Each Contractor quality control technician shall maintain a daily log of all inspections performed for both Contractor and subcontractor operations on a form acceptable to the Engineer. These technician's daily reports shall provide factual evidence that continuous quality control inspections have been performed and shall, as a minimum, include the following:

- (1) Technical specification item number and description;
- (2) Compliance with approved submittals;
- (3) Proper storage of materials and equipment;
- (4) Proper operation of all equipment;
- (5) Adherence to plans and technical specifications;
- (6) Review of quality control tests; and
- (7) Safety inspection.

The daily inspection reports shall identify inspections conducted, results of inspections, location and nature of defects found, causes for rejection, and remedial or corrective actions taken or proposed.

The daily inspection reports shall be signed by the responsible quality control technician and the Program Administrator. The Engineer shall be provided at least one copy of each daily inspection report on the work day following the day of record.

b. Daily Test Reports. The Contractor shall be responsible for establishing a system that will record all quality control test results. Daily test reports shall document the following information:

- (1) Technical specification item number and description;
- (2) Test designation;
- (3) Location;
- (4) Date of test;
- (5) Control requirements;
- (6) Test results;
- (7) Causes for rejection;
- (8) Recommended remedial actions; and
- (9) Retests.

Test results from each day's work period shall be submitted to the Engineer prior to the start of the next day's work period. When required by the technical specifications, the Contractor shall maintain statistical quality control charts. The daily test reports shall be signed by the responsible quality control technician and the Program Administrator.

100-09 CORRECTIVE ACTION REQUIREMENTS. The Quality Control Program shall indicate the appropriate action to be taken when a process is deemed, or believed, to be out of control (out of tolerance) and detail what action will be taken to bring the process into control. The requirements for corrective action shall include both general requirements for operation of the Quality Control Program as a whole, and for individual items of work contained in the technical specifications.

The Quality Control Program shall detail how the results of quality control inspections and tests will be used for determining the need for corrective action and shall contain clear sets of rules to gauge when a process is out of control and the type of correction to be taken to regain process control.

When applicable or required by the technical specifications, the Contractor shall establish and utilize statistical quality control charts for individual quality control tests. The requirements for corrective action shall be linked to the control charts.

100-10 SURVEILLANCE BY THE ENGINEER. All items of material and equipment shall be subject to surveillance by the Engineer at the point of production, manufacture or shipment to determine if the Contractor, producer, manufacturer or shipper maintains an adequate quality control system in conformance with the requirements detailed herein and the applicable technical specifications and plans. In addition, all items of materials, equipment and work in place shall be subject to surveillance by the Engineer at the site for the same purpose.

Surveillance by the Engineer does not relieve the Contractor of performing quality control inspections of either on-site or off-site Contractor's or subcontractor's work.

100-11 NONCOMPLIANCE.

a. The Engineer will notify the Contractor of any noncompliance with any of the foregoing requirements. The Contractor shall, after receipt of such notice, immediately take corrective action. Any notice, when delivered by the Engineer or his/her authorized representative to the Contractor or his/her authorized representative at the site of the work, shall be considered sufficient notice.

b. In cases where quality control activities do not comply with either the Contractor Quality Control Program or the contract provisions, or where the Contractor fails to properly operate and maintain an effective Quality Control Program, as determined by the Engineer, the Engineer may:

- (1) Order the Contractor to replace ineffective or unqualified quality control personnel or subcontractors.
- (2) Order the Contractor to stop operations until appropriate corrective actions are taken.

END OF SECTION 100

**SECTION 110
METHOD OF ESTIMATING PERCENTAGE OF MATERIAL
WITHIN SPECIFICATION LIMITS (PWL)**

110-01 GENERAL. When the specifications provide for acceptance of material based on the method of estimating percentage of material within specification limits (PWL), the PWL will be determined in accordance with this section. All test results for a lot will be analyzed statistically to determine the total estimated percent of the lot that is within specification limits. The PWL is computed using the sample average (X) and sample standard deviation (S_n) of the specified number (n) of sublots for the lot and the specification tolerance limits, L for lower and U for upper, for the particular acceptance parameter. From these values, the respective Quality index(s), Q_L for Lower Quality Index and/or Q_U for Upper Quality Index, is computed and the PWL for the lot for the specified n is determined from Table 1. All specification limits specified in the technical sections shall be absolute values. Test results used in the calculations shall be to the significant figure given in the test procedure.

There is some degree of uncertainty (risk) in the measurement for acceptance because only a small fraction of production material (the population) is sampled and tested. This uncertainty exists because all portions of the production material have the same probability to be randomly sampled. The Contractor's risk is the probability that material produced at the acceptable quality level is rejected or subjected to a pay adjustment. The Owner's risk is the probability that material produced at the rejectable quality level is accepted.

IT IS THE INTENT OF THIS SECTION TO INFORM THE CONTRACTOR THAT, IN ORDER TO CONSISTENTLY OFFSET THE CONTRACTOR'S RISK FOR MATERIAL EVALUATED, PRODUCTION QUALITY (USING POPULATION AVERAGE AND POPULATION STANDARD DEVIATION) MUST BE MAINTAINED AT THE ACCEPTABLE QUALITY SPECIFIED OR HIGHER. IN ALL CASES, IT IS THE RESPONSIBILITY OF THE CONTRACTOR TO PRODUCE AT QUALITY LEVELS THAT WILL MEET THE SPECIFIED ACCEPTANCE CRITERIA WHEN SAMPLED AND TESTED AT THE FREQUENCIES SPECIFIED.

Paragraph 110-01 shall be included verbatim in all projects.

110-02 METHOD FOR COMPUTING PWL. The computational sequence for computing PWL is as follows:

- a. Divide the lot into n sublots in accordance with the acceptance requirements of the specification.
- b. Locate the random sampling position within the subplot in accordance with the requirements of the specification.
- c. Make a measurement at each location, or take a test portion and make the measurement on the test portion in accordance with the testing requirements of the specification.
- d. Find the sample average (X) for all subplot values within the lot by using the following formula:

$$X = (x_1 + x_2 + x_3 + \dots + x_n) / n$$

Where: X = Sample average of all subplot values within a lot
x₁, x₂ = Individual subplot values
n = Number of sublots

- e. Find the sample standard deviation (S_n) by use of the following formula:

$$S_n = [(d_1^2 + d_2^2 + d_3^2 + \dots + d_n^2)/(n-1)]^{1/2}$$

Where: S_n = Sample standard deviation of the number of subplot values in the set
d₁, d₂, = Deviations of the individual subplot values x₁, x₂, ... from the average value X

$$\text{that is: } d_1 = (x_1 - X), d_2 = (x_2 - X) \dots d_n = (x_n - X)$$

$$n = \text{Number of sublots}$$

f. For single sided specification limits (i.e., L only), compute the Lower Quality Index Q_L by use of the following formula:

$$Q_L = (X - L) / S_n$$

Where: L = specification lower tolerance limit

Estimate the percentage of material within limits (PWL) by entering Table 1 with Q_L , using the column appropriate to the total number (n) of measurements. If the value of Q_L falls between values shown on the table, use the next higher value of PWL.

g. For double-sided specification limits (i.e. L and U), compute the Quality Indexes Q_L and Q_U by use of the following formulas:

$$Q_L = (X - L) / S_n \text{ and } Q_U = (U - X) / S_n$$

Where: L and U = specification lower and upper tolerance limits

Estimate the percentage of material between the lower (L) and upper (U) tolerance limits (PWL) by entering Table 1 separately with Q_L and Q_U , using the column appropriate to the total number (n) of measurements, and determining the percent of material above P_L and percent of material below P_U for each tolerance limit. If the values of Q_L fall between values shown on the table, use the next higher value of P_L or P_U . Determine the PWL by use of the following formula:

$$PWL = (P_U + P_L) - 100$$

Where: P_L = percent within lower specification limit
 P_U = percent within upper specification limit

EXAMPLE OF PWL CALCULATION

Project: Example Project

Test Item: Item P-401, Lot A.

A. PWL Determination for Mat Density.

1. Density of four random cores taken from Lot A.

A-1 96.60
 A-2 97.55
 A-3 99.30
 A-4 98.35
 n = 4

2. Calculate average density for the lot.

$X = (x_1 + x_2 + x_3 + \dots + x_n) / n$
 $X = (96.60 + 97.55 + 99.30 + 98.35) / 4$
 $X = 97.95$ percent density

3. Calculate the standard deviation for the lot.

$$S_n = [((96.60 - 97.95)^2 + (97.55 - 97.95)^2 + (99.30 - 97.95)^2 + (98.35 - 97.95)^2) / (4 - 1)]^{1/2}$$

$$S_n = [(1.82 + 0.16 + 1.82 + 0.16) / 3]^{1/2}$$

$$S_n = 1.15$$

4. Calculate the Lower Quality Index Q_L for the lot. ($L=96.3$)

$$Q_L = (X - L) / S_n$$

$$Q_L = (97.95 - 96.30) / 1.15$$

$$Q_L = 1.4348$$

5. Determine PWL by entering Table 1 with $Q_L = 1.44$ and $n = 4$.

$$PWL = 98$$

B. PWL Determination for Air Voids.

1. Air Voids of four random samples taken from Lot A.

A-1 5.00
 A-2 3.74
 A-3 2.30
 A-4 3.25

2. Calculate the average air voids for the lot.

$$X = (x_1 + x_2 + x_3 + \dots + x_n) / n$$

$$X = (5.00 + 3.74 + 2.30 + 3.25) / 4$$

$$X = 3.57 \text{ percent}$$

3. Calculate the standard deviation S_n for the lot.

$$S_n = [((3.57 - 5.00)^2 + (3.57 - 3.74)^2 + (3.57 - 2.30)^2 + (3.57 - 3.25)^2) / (4 - 1)]^{1/2}$$

$$S_n = [(2.04 + 0.03 + 1.62 + 0.10) / 3]^{1/2}$$

$$S_n = 1.12$$

4. Calculate the Lower Quality Index Q_L for the lot. ($L = 2.0$)

$$Q_L = (X - L) / S_n$$

$$Q_L = (3.57 - 2.00) / 1.12$$

$$Q_L = 1.3992$$

5. Determine P_L by entering Table 1 with $Q_L = 1.41$ and $n = 4$.

$$P_L = 97$$

6. Calculate the Upper Quality Index Q_U for the lot. ($U = 5.0$)

$$Q_U = (U - X) / S_n$$

$$Q_U = (5.00 - 3.57) / 1.12$$

$$Q_U = 1.2702$$

7. Determine P_U by entering Table 1 with $Q_U = 1.29$ and $n = 4$.

$$P_U = 93$$

8. Calculate Air Voids PWL

$$PWL = (P_L + P_U) - 100$$

$$PWL = (97 + 93) - 100 = 90$$

EXAMPLE OF OUTLIER CALCULATION (Reference ASTM E 178)

Project: Example Project

Test Item: Item P-401, Lot A.

A. Outlier Determination for Mat Density.

1. Density of four random cores taken from Lot A. arranged in descending order.

A-3 99.30

A-4 98.35

A-2 97.55

A-1 96.60

2. Use $n=4$ and upper 5 percent significance level of to find the critical value for test criterion = 1.463.

3. Use average density, standard deviation, and test criterion value to evaluate density measurements.

a. For measurements greater than the average:

If: $(\text{measurement} - \text{average})/(\text{standard deviation})$ is less than test criterion,

Then: the measurement is not considered an outlier

for A-3 Check if $(99.30 - 97.95) / 1.15$ greater than 1.463

1.174 is less than 1.463, the value is not an outlier

b. For measurements less than the average:

If $(\text{average} - \text{measurement})/(\text{standard deviation})$ is less than test criterion,

the measurement is not considered an outlier

for A-1 Check if $(97.95 - 96.60) / 1.15$ greater than 1.463

1.0 is less than 1.463, the value is not an outlier

NOTE: In this example, a measurement would be considered an outlier if the density was:

greater than $(97.95 + 1.463 \times 1.15) = 99.63$ percent or,

less than $(97.95 - 1.463 \times 1.15) = 96.27$ percent

TABLE 1. TABLE FOR ESTIMATING PERCENT OF LOT WITHIN LIMITS (PWL)

Percent Within Limits (P _L and P _U)	Positive Values of Q (Q _L and Q _U)							
	n=3	n=4	n=5	n=6	n=7	n=8	n=9	n=10
99	1.1541	1.4700	1.6714	1.8008	1.8888	1.9520	1.9994	2.0362
98	1.1524	1.4400	1.6016	1.6982	1.7612	1.8053	1.8379	1.8630
97	1.1496	1.4100	1.5427	1.6181	1.6661	1.6993	1.7235	1.7420
96	1.1456	1.3800	1.4897	1.5497	1.5871	1.6127	1.6313	1.6454
95	1.1405	1.3500	1.4407	1.4887	1.5181	1.5381	1.5525	1.5635
94	1.1342	1.3200	1.3946	1.4329	1.4561	1.4717	1.4829	1.4914
93	1.1269	1.2900	1.3508	1.3810	1.3991	1.4112	1.4199	1.4265
92	1.1184	1.2600	1.3088	1.3323	1.3461	1.3554	1.3620	1.3670
91	1.1089	1.2300	1.2683	1.2860	1.2964	1.3032	1.3081	1.3118
90	1.0982	1.2000	1.2290	1.2419	1.2492	1.2541	1.2576	1.2602
89	1.0864	1.1700	1.1909	1.1995	1.2043	1.2075	1.2098	1.2115
88	1.0736	1.1400	1.1537	1.1587	1.1613	1.1630	1.1643	1.1653
87	1.0597	1.1100	1.1173	1.1192	1.1199	1.1204	1.1208	1.1212
86	1.0448	1.0800	1.0817	1.0808	1.0800	1.0794	1.0791	1.0789
85	1.0288	1.0500	1.0467	1.0435	1.0413	1.0399	1.0389	1.0382
84	1.0119	1.0200	1.0124	1.0071	1.0037	1.0015	1.0000	0.9990
83	0.9939	0.9900	0.9785	0.9715	0.9671	0.9643	0.9624	0.9610
82	0.9749	0.9600	0.9452	0.9367	0.9315	0.9281	0.9258	0.9241
81	0.9550	0.9300	0.9123	0.9025	0.8966	0.8928	0.8901	0.8882
80	0.9342	0.9000	0.8799	0.8690	0.8625	0.8583	0.8554	0.8533
79	0.9124	0.8700	0.8478	0.8360	0.8291	0.8245	0.8214	0.8192
78	0.8897	0.8400	0.8160	0.8036	0.7962	0.7915	0.7882	0.7858
77	0.8662	0.8100	0.7846	0.7716	0.7640	0.7590	0.7556	0.7531
76	0.8417	0.7800	0.7535	0.7401	0.7322	0.7271	0.7236	0.7211
75	0.8165	0.7500	0.7226	0.7089	0.7009	0.6958	0.6922	0.6896
74	0.7904	0.7200	0.6921	0.6781	0.6701	0.6649	0.6613	0.6587
73	0.7636	0.6900	0.6617	0.6477	0.6396	0.6344	0.6308	0.6282
72	0.7360	0.6600	0.6316	0.6176	0.6095	0.6044	0.6008	0.5982
71	0.7077	0.6300	0.6016	0.5878	0.5798	0.5747	0.5712	0.5686
70	0.6787	0.6000	0.5719	0.5582	0.5504	0.5454	0.5419	0.5394
69	0.6490	0.5700	0.5423	0.5290	0.5213	0.5164	0.5130	0.5105
68	0.6187	0.5400	0.5129	0.4999	0.4924	0.4877	0.4844	0.4820
67	0.5878	0.5100	0.4836	0.4710	0.4638	0.4592	0.4560	0.4537
66	0.5563	0.4800	0.4545	0.4424	0.4355	0.4310	0.4280	0.4257
65	0.5242	0.4500	0.4255	0.4139	0.4073	0.4030	0.4001	0.3980
64	0.4916	0.4200	0.3967	0.3856	0.3793	0.3753	0.3725	0.3705
63	0.4586	0.3900	0.3679	0.3575	0.3515	0.3477	0.3451	0.3432
62	0.4251	0.3600	0.3392	0.3295	0.3239	0.3203	0.3179	0.3161
61	0.3911	0.3300	0.3107	0.3016	0.2964	0.2931	0.2908	0.2892
60	0.3568	0.3000	0.2822	0.2738	0.2691	0.2660	0.2639	0.2624
59	0.3222	0.2700	0.2537	0.2461	0.2418	0.2391	0.2372	0.2358
58	0.2872	0.2400	0.2254	0.2186	0.2147	0.2122	0.2105	0.2093
57	0.2519	0.2100	0.1971	0.1911	0.1877	0.1855	0.1840	0.1829
56	0.2164	0.1800	0.1688	0.1636	0.1607	0.1588	0.1575	0.1566
55	0.1806	0.1500	0.1406	0.1363	0.1338	0.1322	0.1312	0.1304
54	0.1447	0.1200	0.1125	0.1090	0.1070	0.1057	0.1049	0.1042
53	0.1087	0.0900	0.0843	0.0817	0.0802	0.0793	0.0786	0.0781
52	0.0725	0.0600	0.0562	0.0544	0.0534	0.0528	0.0524	0.0521
51	0.0363	0.0300	0.0281	0.0272	0.0267	0.0264	0.0262	0.0260
50	0.0000	0.0000	0.0000	0.0000	0.0000	0.0000	0.0000	0.0000

TABLE 1. TABLE FOR ESTIMATING PERCENT OF LOT WITHIN LIMITS (PWL)

Percent Within Limits (P_L and P_U)	Negative Values of Q (Q_L and Q_U)							
	n=3	n=4	n=5	n=6	n=7	n=8	n=9	n=10
49	-0.0363	-0.0300	-0.0281	-0.0272	-0.0267	-0.0264	-0.0262	-0.0260
48	-0.0725	-0.0600	-0.0562	-0.0544	-0.0534	-0.0528	-0.0524	-0.0521
47	-0.1087	-0.0900	-0.0843	-0.0817	-0.0802	-0.0793	-0.0786	-0.0781
46	-0.1447	-0.1200	-0.1125	-0.1090	-0.1070	-0.1057	-0.1049	-0.1042
45	-0.1806	-0.1500	-0.1406	-0.1363	-0.1338	-0.1322	-0.1312	-0.1304
44	-0.2164	-0.1800	-0.1688	-0.1636	-0.1607	-0.1588	-0.1575	-0.1566
43	-0.2519	-0.2100	-0.1971	-0.1911	-0.1877	-0.1855	-0.1840	-0.1829
42	-0.2872	-0.2400	-0.2254	-0.2186	-0.2147	-0.2122	-0.2105	-0.2093
41	-0.3222	-0.2700	-0.2537	-0.2461	-0.2418	-0.2391	-0.2372	-0.2358
40	-0.3568	-0.3000	-0.2822	-0.2738	-0.2691	-0.2660	-0.2639	-0.2624
39	-0.3911	-0.3300	-0.3107	-0.3016	-0.2964	-0.2931	-0.2908	-0.2892
38	-0.4251	-0.3600	-0.3392	-0.3295	-0.3239	-0.3203	-0.3179	-0.3161
37	-0.4586	-0.3900	-0.3679	-0.3575	-0.3515	-0.3477	-0.3451	-0.3432
36	-0.4916	-0.4200	-0.3967	-0.3856	-0.3793	-0.3753	-0.3725	-0.3705
35	-0.5242	-0.4500	-0.4255	-0.4139	-0.4073	-0.4030	-0.4001	-0.3980
34	-0.5563	-0.4800	-0.4545	-0.4424	-0.4355	-0.4310	-0.4280	-0.4257
33	-0.5878	-0.5100	-0.4836	-0.4710	-0.4638	-0.4592	-0.4560	-0.4537
32	-0.6187	-0.5400	-0.5129	-0.4999	-0.4924	-0.4877	-0.4844	-0.4820
31	-0.6490	-0.5700	-0.5423	-0.5290	-0.5213	-0.5164	-0.5130	-0.5105
30	-0.6787	-0.6000	-0.5719	-0.5582	-0.5504	-0.5454	-0.5419	-0.5394
29	-0.7077	-0.6300	-0.6016	-0.5878	-0.5798	-0.5747	-0.5712	-0.5686
28	-0.7360	-0.6600	-0.6316	-0.6176	-0.6095	-0.6044	-0.6008	-0.5982
27	-0.7636	-0.6900	-0.6617	-0.6477	-0.6396	-0.6344	-0.6308	-0.6282
26	-0.7904	-0.7200	-0.6921	-0.6781	-0.6701	-0.6649	-0.6613	-0.6587
25	-0.8165	-0.7500	-0.7226	-0.7089	-0.7009	-0.6958	-0.6922	-0.6896
24	-0.8417	-0.7800	-0.7535	-0.7401	-0.7322	-0.7271	-0.7236	-0.7211
23	-0.8662	-0.8100	-0.7846	-0.7716	-0.7640	-0.7590	-0.7556	-0.7531
22	-0.8897	-0.8400	-0.8160	-0.8036	-0.7962	-0.7915	-0.7882	-0.7858
21	-0.9124	-0.8700	-0.8478	-0.8360	-0.8291	-0.8245	-0.8214	-0.8192
20	-0.9342	-0.9000	-0.8799	-0.8690	-0.8625	-0.8583	-0.8554	-0.8533
19	-0.9550	-0.9300	-0.9123	-0.9025	-0.8966	-0.8928	-0.8901	-0.8882
18	-0.9749	-0.9600	-0.9452	-0.9367	-0.9315	-0.9281	-0.9258	-0.9241
17	-0.9939	-0.9900	-0.9785	-0.9715	-0.9671	-0.9643	-0.9624	-0.9610
16	-1.0119	-1.0200	-1.0124	-1.0071	-1.0037	-1.0015	-1.0000	-0.9990
15	-1.0288	-1.0500	-1.0467	-1.0435	-1.0413	-1.0399	-1.0389	-1.0382
14	-1.0448	-1.0800	-1.0817	-1.0808	-1.0800	-1.0794	-1.0791	-1.0789
13	-1.0597	-1.1100	-1.1173	-1.1192	-1.1199	-1.1204	-1.1208	-1.1212
12	-1.0736	-1.1400	-1.1537	-1.1587	-1.1613	-1.1630	-1.1643	-1.1653
11	-1.0864	-1.1700	-1.1909	-1.1995	-1.2043	-1.2075	-1.2098	-1.2115
10	-1.0982	-1.2000	-1.2290	-1.2419	-1.2492	-1.2541	-1.2576	-1.2602
9	-1.1089	-1.2300	-1.2683	-1.2860	-1.2964	-1.3032	-1.3081	-1.3118
8	-1.1184	-1.2600	-1.3088	-1.3323	-1.3461	-1.3554	-1.3620	-1.3670
7	-1.1269	-1.2900	-1.3508	-1.3810	-1.3991	-1.4112	-1.4199	-1.4265
6	-1.1342	-1.3200	-1.3946	-1.4329	-1.4561	-1.4717	-1.4829	-1.4914
5	-1.1405	-1.3500	-1.4407	-1.4887	-1.5181	-1.5381	-1.5525	-1.5635
4	-1.1456	-1.3800	-1.4897	-1.5497	-1.5871	-1.6127	-1.6313	-1.6454
3	-1.1496	-1.4100	-1.5427	-1.6181	-1.6661	-1.6993	-1.7235	-1.7420
2	-1.1524	-1.4400	-1.6016	-1.6982	-1.7612	-1.8053	-1.8379	-1.8630
1	-1.1541	-1.4700	-1.6714	-1.8008	-1.8888	-1.9520	-1.9994	-2.0362

END OF SECTION 110

SECTION 120 NUCLEAR GAGES

120-01 TESTING. When the specifications provide for nuclear gage acceptance testing of material for Items P-152, P-154, P-208, and P-209, the testing shall be performed in accordance with this section. At each sampling location, the field density shall be determined in accordance with ASTM D 2922 using the Direct Transmission Method. The nuclear gage shall be calibrated in accordance with Annex A1. Calibration and operation of the gage shall be in accordance with the requirements of the manufacturer. The operator of the nuclear gage must show evidence of training and experience in the use of the instrument. The gage shall be standardized daily in accordance with ASTM D 2922, paragraph 8.

Use of ASTM D 2922 results in a wet unit weight, and when using this method, ASTM D 3017 shall be used to determine the moisture content of the material. The moisture gage shall be standardized daily in accordance with ASTM D 3017, paragraph 7.

The material shall be accepted on a lot basis. Each Lot shall be divided into eight (8) sublots when ASTM D 2922 is used.

120-02. When PWL concepts are incorporated, compaction shall continue until a PWL of 90 percent or more is achieved using the lower specification tolerance limits (L) below.

The percentage of material within specification limits (PWL) shall be determined in accordance with the procedures specified in Section 110 of the General Provisions.

The lower specification tolerance limit (L) for density shall be:

Specification Item Number	Specification Tolerance (L) for Density, (percent of laboratory maximum)
Item P-152	90.5 for cohesive material, 95.5 for non-cohesive
Item P-154	95.5
Item P-208	97.0
Item P-209	97.0

If the PWL is less than 90 percent, the lot shall be reworked and recompacted by the Contractor at the Contractor's expense. After reworking and recompaction, the lot shall be resampled and retested. Retest results for the lot shall be reevaluated for acceptance. This procedure shall continue until the PWL is 90 percent or greater.

120-03 VERIFICATION TESTING. (For Items P-152 and P-154 only.) The Engineer will verify the maximum laboratory density of material placed in the field for each lot. A minimum of one test will be made for each lot of material at the site. The verification process will consist of; (1) compacting the material and determining the dry density and moisture-density in accordance with [ASTM D 698 for aircraft gross weights less than 60,000 pounds] [ASTM D 1557 for aircraft gross weights 60,000 pounds or more], and (2) comparing the result with the laboratory moisture-density curves for the material being placed. This verification process is commonly referred to as a "one-point Proctor". If the material does not conform to the existing moisture-density curves, the Engineer will establish the laboratory maximum density and optimum moisture content for the material in accordance with [ASTM D 698 for aircraft gross weights less than 60,000 pounds] [ASTM D 1557 for aircraft gross weights 60,000 pounds or more].

Additional verification tests will be made, if necessary, to properly classify all materials placed in the lot.

The percent compaction of each sampling location will be determined by dividing the field density of each subplot by the laboratory maximum density for the lot.

END OF SECTION 120

Intentionally Left Blank

**PART II – EARTHWORK
ITEM P-101 SURFACE PREPARATION**

DESCRIPTION

101-1.1. This item shall consist of preparation of existing pavement surfaces for overlay, removal of existing pavement, and other miscellaneous items. The work shall be accomplished in accordance with these specifications and the applicable drawings.

For projects that involve preparing and repairing the existing pavement to accommodate an overlay, add the following ITEM P-101: SURFACE PREPARATION.

EQUIPMENT

101-2.1. All equipment shall be specified hereinafter or as approved by the Engineer. The equipment shall not cause damage to the pavement to remain in place.

CONSTRUCTION

101-3.1. REMOVAL OF EXISTING PAVEMENT

a. Concrete: The existing concrete to be removed shall be freed from the pavement to remain unless jackhammers are used for the complete removal. This shall be accomplished by line drilling or sawing through the complete depth of the slab one foot inside the perimeter of the final removal limits or outside the load transfer devices, whichever is greater. In this case, the limits of removal would be located on joints. If line drilling is used, the distance between holes shall not exceed the diameter of the hole. The pavement between the perimeter of the pavement removal and the saw cut or line-drilled holes shall be removed with a jackhammer. Where the perimeter of the removal limits is not located on the joint, the perimeter shall be saw cut 2 inches in depth or 1/4 the slab thickness, whichever is less. Again, the concrete shall be line drilled or saw cut the full depth of the pavement 6 inches inside the removal limits. The pavement inside the saw cut or line shall be broken by methods suitable to the Contractor; however, if the material is to be wasted on the airport site, it shall be reduced to a maximum size designated by the airport owner. The Contractor's removal operation shall not cause damage to cables, utility ducts, pipelines, or drainage structures under the pavement. Any damage shall be repaired by the Contractor at no expense to the airport owner.

b. Asphaltic Concrete: Asphaltic concrete pavement to be removed shall be cut to the full depth of the bituminous material around the perimeter of the area to be removed. The pavement shall be removed in such a manner that the joint for each layer of pavement replacement is offset one foot from the joint in the preceding layer. This does not apply if the removed pavement is to be replaced with concrete or soil. If the material is to be wasted on the airport site, it shall be broken to a maximum size as designated by the airport owner.

101-3.2. PREPARATION OF JOINTS AND CRACKS. All joints and cracks in bituminous and concrete pavements to be overlaid with asphaltic concrete shall be cleaned of joint and crack sealer, debris, and vegetation. Any excess joint or crack sealer on the surface of the pavement shall also be removed from the pavement surface. If vegetation is a problem a soil sterilant shall be applied. Cracks and joints wider than 3/8 inch shall be filled with a mixture of emulsified asphalt and aggregate. The aggregate shall consist of limestone, volcanic ash, sand, or other material that will cure to form a hard substance. The combined gradation shall be as shown in Table 1.

TABLE 1

Sieve Size	Percent Passing
No. 4	100
No. 8	90-100
No. 16	65-90
No. 30	40-60
No. 50	25-42
No. 100	15-30
No. 200	10-20

Up to 3% cement can be added to accelerate the set time. The mixture shall not contain more than 20% natural sand without approval in writing from the Engineer.

The proportions of asphalt emulsion and aggregate shall be determined in the field and may be varied to facilitate construction requirements. Normally, these proportions will be approximately one part asphalt emulsion to five parts aggregate by volume. The material shall be poured into the joints or cracks or shall be placed in the joint or crack and compacted to form a voidless mass. The joint or crack shall be filled within 0 to 1/8 inch of the surface. Any material spilled outside the width of the joint shall be removed from the surface prior to constructing the overlay. Where concrete overlays are to be constructed, only the excess joint material on the surface and vegetation in the joints need to be removed.

101-3.3. REMOVAL OF PAINT AND RUBBER. All paint and rubber over one foot wide that will affect the bond of the new overlay shall be removed from the surface of the existing pavement. Chemicals, high-pressure water, heater scarifier (asphaltic concrete only), cold milling, or sandblasting may be used. Any methods used shall not cause major damage to the pavement. Major damage is defined as changing the properties of the pavement or removing pavement over 1/8 inch deep. If chemicals are used, they shall comply with the state's environmental protection regulations. No material shall be deposited on the runway shoulders. All wastes shall be disposed of in areas indicated in this specification or shown on the plans. This specification shall not be used for removal of rubber deposits to improve skid resistance or obliterate traffic markings where a new overlay is not to be constructed.

101-3.4. CONCRETE SPALL OR FAILED ASPHALTIC CONCRETE PAVEMENT REPAIR.

a. Repair of Concrete Spalls in Areas to be overlaid with Asphalt: The Contractors shall repair all spalled concrete as shown on the plans or as directed by the Resident Engineer. The perimeter of the repair shall be sawed a minimum of 1 inch deep or shall be cut with approved tools to this depth. The deteriorated material shall be removed to a depth where the existing material is firm or cannot be easily removed with a geologist pick. The removed area shall be filled with asphaltic concrete with a minimum Marshal stability of 1,200 lbs. and maximum flow of 20. The material shall be compacted with equipment approved by the Resident Engineer until the material is dense and no movement or marks can be noted. The material shall not be placed in lifts over 4 inches in depth. This method of repair applies only to pavement to be overlaid.

b. Asphaltic Concrete Pavement Repair: The failed areas shall be removed as specified in paragraph 101-3.1b. All failed material including surface, base course, subbase course, and subgrade shall be removed. The base course and subbase shall be replaced if it has been infiltrated with clay, silt, or other material affecting the load-bearing capacity. Materials and methods of construction shall comply with the other applicable sections of this specification.

101-3.5: COLD PLANING.

a. Patching: The machine shall be capable of cutting a vertical edge without chipping or spalling the edges of the pavement to remain. The machine shall have a positive method of controlling the depth of cut. The Engineer shall layout the area to be milled. The area shall be laid out with straightedges in increments of 1-foot widths. The area to be milled shall cover only the failed area. Any excessive area that is milled because the Contractor doesn't have the appropriate machine, or areas that are damaged because of his negligence, shall not be included in the measurement for payment.

b. Profiling, Grade Correction, or Surface Correction: The machine shall have a minimum width of 10 feet. It shall be equipped with electronic grade control devices on both sides that will cut the surface to the grade and tolerances specified. The machine shall cut vertical edges. A positive method of dust control shall be provided. The machine shall be capable of discharging the millings in a truck or leaving them in a defined windrow.

METHOD OF MEASUREMENT

101-4.1. MEASUREMENT.

a. General: If there is no quantity shown in the bidding schedule, the work covered by this section shall be considered as a subsidiary obligation of the Contractor covered under the other contract items. Only accepted work will be measured.

b. Pavement Removal: The unit of measurement for pavement removal shall be the number of square yards removed by the Contractor. Any pavement removed outside the limits of removal because the pavement was damaged by negligence on the part of the Contractor shall not be included in the measurement for payment.

c. Joint and Crack Repair: The unit of measurement for joint and crack repair shall be the linear foot of joint.

d. Paint and Rubber Removal: The unit of measurement for paint and rubber removal shall be the square foot.

e. Spall and Failed Asphaltic Concrete Pavement Repair:

(1) The unit of measure for concrete spall repair shall be the number of square feet. The average depth of the patch shall be agreed upon by the Contractor and the Resident Engineer. The quantity shall be divided in the following categories:

- (a) 0 to 4 inches in average depth.
- (b) 4 to 8 inches in average depth.
- (c) Greater than 8 inches in average depth.

(2) The unit of measure for failed asphaltic concrete pavement shall be as follow:

- (a) Asphaltic Concrete Square Yards.
- (b) Base Course Square Yards.
- (c) Subbase Course Square Yards.
- (d) Subgrade Square Yards.

f. Cold Planing: The unit of measure for cold planing shall be the number square yards. The average depth of the cold planing shall be determined by the Engineer and the Contractor prior to accomplishment of the work. When surface correction is required, if the initial cut doesn't correct the condition, the Contractor shall re-plane the area and will be paid only once for the total depth of planning. The quantity shall be divided into the following categories:

- (a) 0 to 2 inches
- (b) 0 to 3 inches
- (c) 0 to 4 inches
- (d) 0 to 5 inches
- (e) 0 to 6 inches

BASIS OF PAYMENT

101-5.1 PAYMENT. Payment shall be made at contract unit price for the unit of measurement as specified hereinbefore. This price shall be full compensation for furnishing all materials and for all preparation, hauling, and placing of the material and for all labor, equipment, tools, and incidentals necessary to complete this item.

END OF ITEM P-101

ITEM P-151 CLEARING AND GRUBBING

DESCRIPTION

151-1.1 This item shall consist of clearing or clearing and grubbing, including the disposal of materials, for all areas within the limits designated on the plans or as required by the Engineer.

Clearing shall consist of the cutting and removal of all trees, stumps, brush, logs, hedges, the removal of fences and other loose or projecting material from the designated areas. The grubbing of stumps and roots will not be required.

Clearing, when so designated, shall consist of the cutting and removal of isolated single trees or isolated groups of trees. The cutting of all the trees of this classification shall be in accordance with the requirements for the particular area being cleared, or as shown on the plans, or as directed by the Engineer. The trees shall be considered isolated when they are 40 feet (12 m) or more apart, with the exception of a small clump of approximately five trees or less.

Clearing and grubbing shall consist of clearing the surface of the ground of the designated areas of all trees, stumps, down timber, logs, snags, brush, undergrowth, hedges, heavy growth of grass or weeds, fences, structures, debris, and rubbish of any nature, natural obstructions or such material which in the opinion of the Engineer is unsuitable for the foundation of strips, pavements, or other required structures, including the grubbing of stumps, roots, matted roots, foundations, and the disposal from the project of all spoil materials resulting from clearing and grubbing by burning or otherwise.

CONSTRUCTION METHODS

151-2.1 GENERAL. The areas denoted on the plans to be cleared or cleared and grubbed shall be staked on the ground by the Engineer. The clearing and grubbing shall be done at a satisfactory distance in advance of the grading operations.

All spoil materials removed by clearing or by clearing and grubbing shall be disposed of by burning, when permitted by local laws, or by removal to approved disposal areas. When burning of material is permitted, it shall be burned under the constant care of competent watchmen so that the surrounding vegetation and other adjacent property will not be jeopardized. Burning shall be done in accordance with all applicable laws, ordinances, and regulations. Before starting any burning operations, the Contractor shall notify the agency having jurisdiction.

As far as practicable, waste concrete and masonry shall be placed on slopes of embankments or channels. When embankments are constructed of such material, this material shall be placed in accordance with requirements for formation of embankments. Any broken concrete or masonry that cannot be used in construction, and all other materials not considered suitable for use elsewhere, shall be disposed of by the Contractor. In no case shall any discarded materials be left in windrows or piles adjacent to or within the airport limits. The manner and location of disposal of materials shall be subject to the approval of the Engineer and shall not create an unsightly or objectionable view. When the Contractor is required to locate a disposal area outside the airport property limits at his/her own expense, he shall obtain and file with the Engineer, permission in writing from the property owner for the use of private property for this purpose.

If the plans or the specifications require the saving of merchantable timber, the Contractor shall trim the limbs and tops from designated trees, saw them into suitable lengths, and make the material available for removal by other agencies.

Any blasting necessary shall be done at the Contractor's responsibility, and the utmost care shall be taken not to endanger life or property.

The removal of existing structure and utilities required to permit orderly progress of work shall be accomplished by local agencies, unless otherwise shown on the plans. Whenever a telephone or telegraph pole, pipeline, conduit, sewer, roadway, or other utility is encountered and must be removed or relocated, the Contractor shall advise the Engineer who will notify the proper local authority or owner and attempt to secure prompt action.

151-2.2 CLEARING. The Contractor shall clear the staked or indicated area of all objectionable materials. Trees unavoidably falling outside the specified limits must be cut up, removed, and disposed of in a satisfactory manner. In order to minimize damage to trees that are to be left standing, trees shall be felled toward the center of area being cleared. The Contractor shall preserve and protect from injury all trees not to be removed. The trees, stumps, and brush shall be cut to a height of not more than 12 inches (300 mm) above the ground. The grubbing of stumps and roots will not be required.

When isolated trees are designated for clearing, the trees shall be classed in accordance with the butt diameter size as measured at a point 18 inches (45 cm) above the ground level or at a designated height specified in the proposal.

Fences shall be removed and disposed of when directed by the Engineer. Fence wire shall be neatly rolled and the wire and posts stored on the airport if they are to be used again, or stored at a designated location if the fence is to remain the property of a local owner or of a civic authority.

151-2.3 CLEARING AND GRUBBING. In areas designated to be cleared and grubbed, all stumps, roots, buried logs, brush, grass, and other unsatisfactory materials shall be removed, except where embankments exceeding 3-1/2 feet (105 cm) in depth are to be made outside of paved areas. In cases where such depth of embankments is to be made, all unsatisfactory materials shall be removed, but sound trees, stumps, and brush can be cut off within 6 inches (150 mm) above the ground and allowed to remain. Tap roots and other projections over 1-1/2 inches (37 mm) in diameter shall be grubbed out to a depth of at least 18 inches (45 cm) below the finished subgrade or slope elevation.

Any buildings and miscellaneous structures that are shown on the plans to be removed shall be demolished or removed, and all materials there from shall be disposed of either by burning or otherwise removed from the site. The remaining or existing foundations, wells, cesspools, and all like structures shall be destroyed by breaking out or breaking down the materials of which the foundations, wells, cesspools, etc., are built to a depth at least 2 feet (60 cm) below the existing surrounding ground. Any broken concrete, blocks, or other objectionable material that cannot be used in backfill shall be removed and disposed of. The holes or openings shall be backfilled with acceptable material and properly compacted.

All holes remaining after the grubbing operation in embankment areas shall have the sides broken down to flatten out the slopes, and shall be filled with acceptable material, moistened and properly compacted in layers to the density required in Item P-152. The same construction procedure shall be applied to all holes remaining after grubbing in excavation areas where the depth of holes exceeds the depth of the proposed excavation.

METHOD OF MEASUREMENT

151-3.1 The quantities of clearing or clearing and grubbing as shown by the limits on the plans or as ordered by the Engineer shall be the number of acres (square meters) or fractions thereof, of land specifically cleared or cleared and grubbed.

When isolated trees are designated for clearing, the quantities of trees, as determined in accordance with ranges of butt diameter size, measured at a point 18 inches (45 cm) above the ground level at the tree, shall be paid for according to the schedule of sizes as follows:

The number of trees:

- From 0 to 2-1/2 feet (75 cm), butt diameter
- From 2-1/2 to 5 feet (75 to 150 cm), butt diameter
- For 5 feet (150 cm) or more, butt diameter

BASIS OF PAYMENT

151-4.1 Payment shall be made at the contract unit price per acre (square meter) for clearing. This price shall be full compensation for furnishing all materials and for all labor, equipment, tools, and incidentals necessary to complete the item.

151-4.2 Payment shall be made at the contract unit price for clearing isolated trees. This price shall be full compensation for furnishing all materials and for all labor, equipment, tools, and incidentals necessary to complete the item.

151-4.3 Payment shall be made at the contract unit price per acre (square meter) for clearing and grubbing. This price shall be full compensation for furnishing all materials and for all labor, equipment, tools, and incidentals necessary to complete the item.

Payment will be made under:

Item P-151-4.1 Clearing—per acre (square meter)

Item P-151-4.2 Clearing for isolated trees:

From 0 to 2-1/2 feet (75 cm) butt diameter, per tree

From 2-1/2 to 5 feet (75 to 150 cm) butt diameter, per tree

For 5 feet (150 cm) or more butt diameter, per tree

Item P-151-4.3 Clearing and grubbing—per acre (square meter)

END OF ITEM P-151

Intentionally Left Blank

ITEM P-152 EXCAVATION AND EMBANKMENT

DESCRIPTION

152-1.1 This item covers excavation, disposal, placement, and compaction of all materials within the limits of the work required to construct safety areas, runways, taxiways, aprons, and intermediate as well as other areas for drainage, building construction, parking, or other purposes in accordance with these specifications and in conformity to the dimensions and typical section(s) shown on the plans.

152-1.2 CLASSIFICATION. All material excavated shall be classified as defined below:

a. Unclassified Excavation. Unclassified excavation shall consist of the excavation and disposal of all material, regardless of its nature, which is not otherwise classified and paid for under the following items.

b. Rock Excavation. Rock excavation shall include all solid rock in ledges, in bedded deposits, in unstratified masses, and conglomerate deposits which are so firmly cemented they cannot be removed without blasting or using rippers. All boulders containing a volume of more than 1/2 cubic yard (0.4 cubic meter) will be classified as "rock excavation."

c. Muck Excavation. Muck excavation shall consist of the removal and disposal of deposits or mixtures of soils and organic matter not suitable for foundation material. Muck shall include materials that will decay or produce subsidence in the embankment. It may be made up of decaying stumps, roots, logs, humus, or other material not satisfactory for incorporation in the embankment.

d. Drainage Excavation. Drainage excavation shall consist of all excavation made for the primary purpose of drainage and includes drainage ditches, such as intercepting, inlet or outlet; temporary levee construction; or any other type as shown on the plans.

e. Borrow Excavation. Borrow excavation shall consist of approved material required for the construction of embankment or for other portions of the work in excess of the quantity of usable material available from required excavations. Borrow material shall be obtained from areas within the limits of the airport property but outside the normal limits of necessary grading, or from areas outside the airport.

All material excavated shall be considered "unclassified" unless the Engineer specifies other classifications in the project specifications.

Delete the classifications not applicable to a project.

152-1.3 Unsuitable Excavation. Any material containing vegetable or organic matter, such as muck, peat, organic silt, or sod shall be considered unsuitable for use in embankment construction. Material, when approved by the Engineer as suitable to support vegetation, may be used on the embankment slope.

CONSTRUCTION METHODS

152-2.1 General. Before beginning excavation, grading, and embankment operations in any area, the area shall be completely cleared and grubbed in accordance with Item P-151.

The suitability of material to be placed in embankments shall be subject to approval by the Engineer. All unsuitable material shall be disposed of in waste areas shown on the plans. All waste areas shall be graded to allow positive drainage of the area and of adjacent areas. The surface elevation of waste areas shall not extend above the surface elevation of adjacent usable areas of the airport, unless specified on the plans or approved by the Engineer.

When the Contractor's excavating operations encounter artifacts of historical or archaeological significance, the operations shall be temporarily discontinued. At the direction of the Engineer, the Contractor shall excavate the site in such a manner as to preserve the artifacts encountered and allow for their removal. Such excavation will be paid for as extra work.

Those areas outside of the pavement areas in which the top layer of soil material has become compacted, by hauling or other activities of the Contractor shall be scarified and disked to a depth of 4 inches (100 mm), in order to loosen and pulverize the soil.

If it is necessary to interrupt existing surface drainage, sewers or under-drainage, conduits, utilities, or similar underground structures, the Contractor shall be responsible for and shall take all necessary precautions to preserve them or provide temporary services. When such facilities are encountered, the Contractor shall notify the Engineer, who shall arrange for their removal if necessary. The Contractor shall, at his/her own expense, satisfactorily repair or pay the cost of all damage to such facilities or structures that may result from any of the Contractor's operations during the period of the contract.

152-2.2 EXCAVATION. No excavation shall be started until the work has been staked out by the Contractor and the Engineer has obtained elevations and measurements of the ground surface. All suitable excavated material shall be used in the formation of embankment, subgrade, or for other purposes shown on the plans. All unsuitable material shall be disposed of as shown on the plans.

When the volume of the excavation exceeds that required to construct the embankments to the grades indicated, the excess shall be used to grade the areas of ultimate development or disposed of as directed. When the volume of excavation is not sufficient for constructing the fill to the grades indicated, the deficiency shall be obtained from borrow areas.

The grade shall be maintained so that the surface is well drained at all times. When necessary, temporary drains and drainage ditches shall be installed to intercept or divert surface water that may affect the work.

a. Selective Grading. When selective grading is indicated on the plans, the more suitable material as designated by the Engineer shall be used in constructing the embankment or in capping the pavement subgrade. If, at the time of excavation, it is not possible to place this material in its final location, it shall be stockpiled in approved areas so that it can be measured for payment for rehandling as specified in paragraph 3.3.

b. Undercutting. Rock, shale, hardpan, loose rock, boulders, or other material unsatisfactory for safety areas, subgrades, roads, shoulders, or any areas intended for turfing shall be excavated to a minimum depth of 12 inches (300 mm), or to the depth specified by the Engineer, below the subgrade. Muck, peat, matted roots, or other yielding material, unsatisfactory for subgrade foundation, shall be removed to the depth specified. Unsuitable materials shall be disposed of at locations shown on the plans. This excavated material shall be paid for at the contract unit price per cubic yard (per cubic meter) for []. The excavated area shall be refilled with suitable material obtained from the grading operations or borrow areas and compacted to specified densities. The necessary refilling will constitute a part of the embankment. Where rock cuts are made and refilled with selected material, any pockets created in the rock surface shall be drained in accordance with the details shown on the plans.

The Engineer shall specify the appropriate class of excavation. If rock or muck excavation is not included under paragraph 1.2, unclassified excavation should be specified.

The plans shall show details for draining pockets created in rock cuts.

c. Overbreak. Overbreak, including slides, is that portion of any material displaced or loosened beyond the finished work as planned or authorized by the Engineer. The Engineer shall determine if the displacement of such

material was unavoidable and his/her decision shall be final. All overbreak shall be graded or removed by the Contractor and disposed of as directed; however, payment will not be made for the removal and disposal of overbreak that the Engineer determines as avoidable. Unavoidable overbreak will be classified as "Unclassified Excavation."

d. Removal of Utilities. The removal of existing structures and utilities required to permit the orderly progress of work will be accomplished by someone other than the Contractor, e.g., the utility unless otherwise shown on the plans. All existing foundations shall be excavated for at least 2 feet (60 cm) below the top of subgrade or as indicated on the plans, and the material disposed of as directed. All foundations thus excavated shall be backfilled with suitable material and compacted as specified herein.

e. Compaction Requirements. The subgrade under areas to be paved shall be compacted to a depth of [] and to a density of not less than [] percent of the maximum density as determined by ASTM []. The material to be compacted shall be within +/- 2 percent of optimum moisture content before rolled to obtain the prescribed compaction (except for expansive soils).

Subgrades Under Flexible Pavements. The Engineer shall specify compaction to a depth of 6 inches (150 mm) and to a density of not less than 95 percent for cohesive soils or 100 percent for noncohesive soils for areas serving single gear aircraft. For areas serving dual gear or dual tandem gear aircraft the Engineer shall specify the required compaction depths and densities as determined from AC 150/5320-6C, Chapter 3, Section 2.

Subgrades Under Rigid Pavements. The Engineer shall specify the compaction depth and densities as determined from AC 150/5320-6C, Chapter 3, Section 3.

The Engineer shall specify ASTM D 698 for areas designated for aircraft with gross weights of 60,000 pounds (27 200 Kg) or less, and ASTM D 1557 for areas designated for aircraft with gross weights greater than 60,000 pounds (27 200 Kg).

If nuclear density machines are to be used for density determination, the machines shall be calibrated in accordance with ASTM D 2922. The nuclear equipment shall be calibrated using blocks of materials with densities that extend through a range representative of the density of the proposed embankment material. (See attached Section 120 of the General Provisions for additional guidance with nuclear density testing)

Include testing frequencies per square yard for density & moisture acceptance tests.

AASHTO T99 or T-180 (Moisture-Density) should be specified for soils that are expected to have more than 30% retained on the 3/4-inch sieve. The moisture-density relationship test procedures ASTM D 698 and D1557 are not applicable for materials with greater than 30 retained on the 3/4-inch sieve. A replacement procedure (ASTM D 4718) for the coarse material (greater than 3/4-inch) is used with ASTM methods but only until up to 30 percent is retained. Maximum density testing (ASTM D 4253) may be used but it also limits the material retained on the 1-1/2-inch sieve to 30 percent. The AASHTO T-99 and T-180 are similar to ASTM D 698 and D 1557, except they do not limit the replacement of the coarse material.

The in-place field density shall be determined in accordance with ASTM D 1556 or ASTM D 2167. Stones or rock fragments larger than 4 inches (100 mm) in their greatest dimension will not be permitted in the top 6 inches (150 mm) of the subgrade. The finished grading operations, conforming to the typical cross section, shall be completed and maintained at least 1,000 feet (300 m) ahead of the paving operations or as directed by the Engineer.

In cuts, all loose or protruding rocks on the back slopes shall be barred loose or otherwise removed to line of finished grade of slope. All cut-and-fill slopes shall be uniformly dressed to the slope, cross section, and alignment shown on the plans or as directed by the Engineer.

Blasting will be permitted only when proper precautions are taken for the safety of all persons, the work, and the property. All damage done to the work or property shall be repaired at the Contractor's expense. All operations of the Contractor in connection with the transportation, storage, and use of explosives shall conform to all state and local regulations and explosive manufacturers' instructions, with applicable approved permits reviewed by the Engineer. Any approval given, however, will not relieve the Contractor of his/her responsibility in blasting operations.

Where blasting is approved, the Contractor shall employ a vibration consultant, approved by the Engineer, to advise on explosive charge weights per delay and to analyze records from seismograph recordings. The seismograph shall be capable of producing a permanent record of the three components of the motion in terms of particle velocity, and in addition shall be capable of internal dynamic calibration.

In each distinct blasting area, where pertinent factors affecting blast vibrations and their effects in the area remain the same, the Contractor shall submit a blasting plan of the initial blasts to the Engineer for approval. This plan must consist of hole size, depth, spacing, burden, type of explosives, type of delay sequence, maximum amount of explosive on any one delay period, depth of rock, and depth of overburden if any. The maximum explosive charge weights per delay included in the plan shall not be increased without the approval of the engineering.

The Contractor shall keep a record of each blast fired—its date, time and location; the amount of explosives used, maximum explosive charge weight per delay period, and, where necessary, seismograph records identified by instrument number and location.

These records shall be made available to the Engineer on a monthly basis or in tabulated form at other times as required.

152-2.3 BORROW EXCAVATION. Borrow area(s) within the airport property are indicated on the plans. Borrow excavation shall be made only at these designated locations and within the horizontal and vertical limits as staked or as directed.

When borrow sources are outside the boundaries of the airport property, it shall be the Contractor's responsibility to locate and obtain the supply, subject to the approval of the Engineer. The Contractor shall notify the Engineer, at least 15 days prior to beginning the excavation, so necessary measurements and tests can be made. All unsuitable material shall be disposed of by the Contractor. All borrow pits shall be opened up to expose the vertical face of various strata of acceptable material to enable obtaining a uniform product. Borrow pits shall be excavated to regular lines to permit accurate measurements, and they shall be drained and left in a neat, presentable condition with all slopes dressed uniformly.

152-2.4 DRAINAGE EXCAVATION. Drainage excavation shall consist of excavating for drainage ditches such as intercepting; inlet or outlet, for temporary levee construction; or for any other type as designed or as shown on the plans. The work shall be performed in the proper sequence with the other construction. All satisfactory material shall be placed in fills; unsuitable material shall be placed in waste areas or as directed. Intercepting ditches shall be constructed prior to starting adjacent excavation operations. All necessary work shall be performed to secure a finish true to line, elevation, and cross section.

The Contractor shall maintain ditches constructed on the project to the required cross section and shall keep them free of debris or obstructions until the project is accepted.

152-2.5 PREPARATION OF EMBANKMENT AREA. Where an embankment is to be constructed to a height of 4 feet (120 cm) or less, all sod and vegetable matter shall be removed from the surface upon which the embankment is to be placed, and the cleared surface shall be completely broken up by plowing or scarifying to a minimum depth of 6 inches (150 mm). This area shall then be compacted as indicated in paragraph 2.6. When the

height of fill is greater than 4 feet (120 cm), sod not required to be removed shall be thoroughly disked and recompacted to the density of the surrounding ground before construction of embankment.

Where embankments are to be placed on natural slopes steeper than 3 to 1, horizontal benches shall be constructed as shown on the plans.

The Engineer shall include benching details on the plans based on the type of material, degree of consolidation of the material, and the degree of homogeneity of the material. The minimum width of the bench shall be sufficient to accommodate construction equipment.

No direct payment shall be made for the work performed under this section. The necessary clearing and grubbing and the quantity of excavation removed will be paid for under the respective items of work.

152-2.6 FORMATION OF EMBANKMENTS. Embankments shall be formed in successive horizontal layers of not more than 8 inches (200 mm) in loose depth for the full width of the cross section, unless otherwise approved by the Engineer.

The grading operations shall be conducted, and the various soil strata shall be placed, to produce a soil structure as shown on the typical cross section or as directed. Materials such as brush, hedge, roots, stumps, grass and other organic matter, shall not be incorporated or buried in the embankment.

Operations on earthwork shall be suspended at any time when satisfactory results cannot be obtained because of rain, freezing, or other unsatisfactory conditions of the field. The Contractor shall drag, blade, or slope the embankment to provide proper surface drainage.

The material in the layer shall be within +/-2 percent of optimum moisture content before rolling to obtain the prescribed compaction. In order to achieve a uniform moisture content throughout the layer, wetting or drying of the material and manipulation shall be required when necessary. Should the material be too wet to permit proper compaction or rolling, all work on all of the affected portions of the embankment shall be delayed until the material has dried to the required moisture content. Sprinkling of dry material to obtain the proper moisture content shall be done with approved equipment that will sufficiently distribute the water. Sufficient equipment to furnish the required water shall be available at all times. Samples of all embankment materials for testing, both before and after placement and compaction, will be taken for each []. Based on these tests, the Contractor shall make the necessary corrections and adjustments in methods, materials or moisture content in order to achieve the correct embankment density.

It is recommended that density tests be made for each 1000 cubic yards (760 cubic meters) of material placed per layer. The Engineer may specify other frequencies as appropriate to the job size. If it is necessary (because of the presence of expansive soils or other unusually sensitive soils) to apply special controls to the moisture content of the soil during or after compaction to ensure strength, the Engineer shall specify the appropriate moisture content. The moisture limitations shall be specified using acceptable moisture ranges as determined by ASTM D 698 or ASTM D 1557.

If nuclear density machines are to be used for density determination, the machines shall be calibrated in accordance with ASTM D 2922. The nuclear equipment shall be calibrated using blocks of materials with densities that extend through a range representative of the density of the proposed embankment material. (See attached Section 120 of the General Provisions for additional guidance with nuclear density testing)

Include testing frequencies per square yard for density & moisture acceptance tests.

AASHTO T99 or T-180 (Moisture-Density) should be specified for soils that are expected to have more than 30% retained on the 3/4-inch sieve. The moisture-density relationship test procedures ASTM D 698 and D1557 are not applicable for materials with greater than 30 retained on the 3/4-inch sieve. A replacement procedure (ASTM D 4718) for the coarse material (greater than 3/4-inch) is used with ASTM methods but only until up to 30 percent is retained. Maximum density testing (ASTM D 4253) may be used but it also limits the material retained on the 1-1/2-inch sieve to 30 percent. The AASHTO T-99 and T-180 are similar to ASTM D 698 and D 1557, except they do not limit the replacement of the coarse material.

Rolling operations shall be continued until the embankment is compacted to not less than 95 percent of maximum density for noncohesive soils, and 90 percent of maximum density for cohesive soils as determined by ASTM []. Under all areas to be paved, the embankments shall be compacted to a depth of [] and to a density of not less than [] percent of the maximum density as determined by ASTM [].

Subgrade Under Flexible Pavements. The Engineer shall specify the required compaction depths and densities as determined from AC 150/5320-6C, Chapter 3, Section 2.

Subgrade Under Rigid Pavements. The Engineer shall specify the required compaction depths and densities as determined from AC 150/5320-6, Chapter 3, Section 3.

The Engineer shall specify ASTM D 698 for areas designated for aircraft with gross weights of 60,000 pounds (27 200 kg) or less and ASTM D 1557 for areas designated for aircraft with gross weights greater than 60,000 pounds (27 200 kg).

For soils with expansive characteristics, the maximum density should be determined in accordance with ASTM D 698 regardless of aircraft weight.

On all areas outside of the pavement areas, no compaction will be required on the top 4 inches (100 mm).

The in-place field density shall be determined in accordance with ASTM D 1556 or ASTM D 2167.

Compaction areas shall be kept separate, and no layer shall be covered by another until the proper density is obtained.

During construction of the embankment, the Contractor shall route his/her equipment at all times, both when loaded and when empty, over the layers as they are placed and shall distribute the travel evenly over the entire width of the embankment. The equipment shall be operated in such a manner that hardpan, cemented gravel, clay, or other chunky soil material will be broken up into small particles and become incorporated with the other material in the layer.

In the construction of embankments, layer placement shall begin in the deepest portion of the fill; as placement progresses, layers shall be constructed approximately parallel to the finished pavement grade line.

When rock and other embankment material are excavated at approximately the same time, the rock shall be incorporated into the outer portion of the embankment and the other material shall be incorporated under the future paved areas. Stones or fragmentary rock larger than 4 inches (100 mm) in their greatest dimensions will not be allowed in the top 6 inches (150 mm) of the subgrade. Rockfill shall be brought up in layers as specified or as

directed and every effort shall be exerted to fill the voids with the finer material forming a dense, compact mass. Rock or boulders shall not be disposed of outside the excavation or embankment areas, except at places and in the manner designated by the Engineer.

When the excavated material consists predominantly of rock fragments of such size that the material cannot be placed in layers of the prescribed thickness without crushing, pulverizing or further breaking down the pieces, such material may be placed in the embankment as directed in layers not exceeding 2 feet (60 cm) in thickness. Each layer shall be leveled and smoothed with suitable leveling equipment and by distribution of spalls and finer fragments of rock. These type lifts shall not be constructed above an elevation 4 feet (120 cm) below the finished subgrade.

Frozen material shall not be placed in the embankment nor shall embankment be placed upon frozen material.

There will be no separate measurement of payment for compacted embankment, and all costs incidental to placing in layers, compacting, diskings, watering, mixing, sloping, and other necessary operations for construction of embankments will be included in the contract price for excavation, borrow, or other items.

The Engineer may specify payment for compacted ``Embankment in Place.'' In this case, delete the preceding paragraph and indicate that payment will be made under embankment and that no payment will be made for excavation, borrow, or other items.

152-2.7 FINISHING AND PROTECTION OF SUBGRADE. After the subgrade has been substantially completed the full width shall be conditioned by removing any soft or other unstable material that will not compact properly. The resulting areas and all other low areas, holes or depressions shall be brought to grade with suitable select material. Scarifying, blading, rolling and other methods shall be performed to provide a thoroughly compacted subgrade shaped to the lines and grades shown on the plans.

Grading of the subgrade shall be performed so that it will drain readily. The Contractor shall take all precautions necessary to protect the subgrade from damage. He/she shall limit hauling over the finished subgrade to that which is essential for construction purposes.

All ruts or rough places that develop in a completed subgrade shall be smoothed and recompacted.

No subbase, base, or surface course shall be placed on the subgrade until the subgrade has been approved by the Engineer.

152-2.8 HAUL. All hauling will be considered a necessary and incidental part of the work. Its cost shall be considered by the Contractor and included in the contract unit price for the pay of items of work involved. No payment will be made separately or directly for hauling on any part of the work.

152-2.9 TOLERANCES. In those areas upon which a subbase or base course is to be placed, the top of the subgrade shall be of such smoothness that, when tested with a 16-foot (4.8 m) straightedge applied parallel and at right angles to the centerline, it shall not show any deviation in excess of 1/2-inch (12 mm), or shall not be more than 0.05-foot (.015 m) from true grade as established by grade hubs or pins. Any deviation in excess of these amounts shall be corrected by loosening, adding, or removing materials; reshaping; and recompacting by sprinkling and rolling.

On safety areas, intermediate and other designated areas, the surface shall be of such smoothness that it will not vary more than 0.10 foot (0.03 m) from true grade as established by grade hubs. Any deviation in excess of this amount shall be corrected by loosening, adding or removing materials, and reshaping.

152-2.10 TOPSOIL. When topsoil is specified or required as shown on the plans or under Item T-905, it shall be salvaged from stripping or other grading operations. The topsoil shall meet the requirements of Item T-905. If, at the time of excavation or stripping, the topsoil cannot be placed in its proper and final section of finished construction, the material shall be stockpiled at approved locations. Stockpiles shall not be placed within [] feet of runway pavement or [] feet of taxiway pavement and shall not be placed on areas that subsequently will require any excavation or embankment. If, in the judgment of the Engineer, it is practical to place the salvaged topsoil at the time of excavation or stripping, the material shall be placed in its final position without stockpiling or further rehandling.

The Engineer shall specify the appropriate clearances in accordance with AC 150/5370-2C, Operational Safety on Airports During Construction, Appendix 1.

Upon completion of grading operations, stockpiled topsoil shall be handled and placed as directed, or as required in Item T-905.

No direct payment will be made for topsoil as such under Item P-152. The quantity removed and placed directly or stockpiled shall be paid for at the contract unit price per cubic yard (cubic meter) for ``Unclassified Excavation."

When stockpiling of topsoil and later rehandling of such material is directed by the Engineer, the material so rehandled shall be paid for at the contract unit price per cubic yard (cubic meter) for ``Topsoiling," as provided in Item T-905.

METHOD OF MEASUREMENT

152-3.1 The quantity of excavation to be paid for shall be the number of cubic yards (cubic meters) measured in its original position.

Measurement shall not include the quantity of materials excavated without authorization beyond normal slope lines, or the quantity of material used for purposes other than those directed.

152-3.2 Borrow material shall be paid for on the basis of the number of cubic yards (cubic meters) measured in its original position at the borrow pit.

152-3.3 Stockpiled material shall be paid for on the basis of the number of cubic yards (cubic meters) measured in the stockpiled position as soon as the material has been stockpiled.

If the Engineer wishes to specify payment for the quantity of embankment in place in lieu of paying for excavation, delete paragraph 3.1 and substitute the following: The quantity of embankment to be paid for shall be the number of cubic yards (cubic meters) measured in its final position.

152-3.4 For payment specified by the cubic yard (cubic meter), measurement for all [excavation] [embankment] shall be computed by the average end area method. The end area is that bound by the original ground line established by field cross sections and the final theoretical pay line established by [excavation] [embankment] cross sections shown on the plans, subject to verification by the Engineer. After completion of all [excavation] [embankment] operations and prior to the placing of base or subbase material, the final [excavation] [embankment] shall be verified by the Engineer by means of field cross sections taken randomly at intervals not exceeding 500 linear feet (150 meters).

Final field cross sections shall be employed if the following changes have been made:

- a. Plan width of embankments or excavations are changed by more than plus or minus 1.0 foot (0.3 meter); or
- b. Plan elevations of embankments or excavations are changed by more than plus or minus 0.5 foot (0.15 meter).

BASIS OF PAYMENT

152-4.1 For "Unclassified excavation" payment shall be made at the contract unit price per cubic yard (cubic meter). This price shall be full compensation for furnishing all materials, labor, equipment, tools, and incidentals necessary to complete the item.

152-4.2 For "Rock Excavation" payment shall be made at the contract unit price per cubic yard (cubic meter). This price shall be full compensation for furnishing all materials, labor, equipment, tools, and incidentals necessary to complete the item.

152-4.3 For "Muck Excavation" payment shall be made at the contract unit price per cubic yard (cubic meter). This price shall be full compensation for furnishing all materials, labor, equipment, tools, and incidentals necessary to complete the item.

152-4.4 For "Drainage Excavation" payment shall be made at the contract unit price per cubic yard (cubic meter). This price shall be full compensation for furnishing all materials, labor, equipment, tools, and incidentals necessary to complete the item.

152-4.5 For "Borrow Excavation" payment shall be made at the contract unit price per cubic yard (cubic meter). This price shall be full compensation for furnishing all materials, labor, equipment, tools, and incidentals necessary to complete the item.

152-4.6 For "Stockpiled Material" payment shall be made at the contract unit price per cubic yard (cubic meter). This price shall be full compensation for furnishing all materials, labor, equipment, tools, and incidentals necessary to complete the item.

152-4.7 For "Embankment in Place" payment shall be made at the contract unit price per cubic yard (cubic meter). This price shall be full compensation for furnishing all materials, labor, equipment, tools, and incidentals necessary to complete the item.

Payment will be made under:

- Item P-152-4.1 Unclassified Excavation—per cubic yard (cubic meter)
- Item P-152-4.2 Rock Excavation—per cubic yard (cubic meter)
- Item P-152-4.3 Muck Excavation—per cubic yard (cubic meter)
- Item P-152-4.4 Drainage Excavation—per cubic yard (cubic meter)
- Item P-152-4.5 Borrow Excavation—per cubic yard (cubic meter)
- Item P-152-4.6 Stockpiled material—per cubic yard (cubic meter)
- Item P-152-4.7 Embankment in Place—per cubic yard (cubic meter)

The Engineer shall include only those classifications shown in the bid schedule.

TESTING REQUIREMENTS

- ASTM D 698 Test for Moisture-Density Relations of Soils and Soil-Aggregate Mixtures, Using 5.5-pound (2.49 kg) Rammer and 12-inch (305 mm) Drop
- ASTM D 1556 Test for Density of Soil In Place by the Sand-Cone Method
- ASTM D 1557 Test for Laboratory Compaction Characteristics of Soil Using Modified Effort
- ASTM D 2167 Test for Density and Unit Weight of Soil In Place by the Rubber Ballon Method.

END OF ITEM P-152

ITEM P-153 CONTROLLED LOW-STRENGTH MATERIAL (CLSM)

DESCRIPTION

153.1.1 This item shall consist of furnishing, transporting, and placing a controlled low-strength material (CLSM) as flowable backfill in trenches or at other locations shown on the plans or as directed by the Engineer.

MATERIALS

153-2.1 MATERIALS

a. Portland Cement. Portland cement shall conform to the requirements of ASTM [] Type []. If for any reason, cement becomes partially set or contains lumps of caked cement, it shall be rejected. Cement salvaged from discarded or used bags shall not be used.

The Engineer shall specify one of the following : ASTM C 150 - Type I, II.

ASTM C 595 - Type IP, IS, S, I(PM).

b. Fly Ash. Fly Ash shall conform to ASTM C 618, Class C or F.

c. Fine Aggregate (Sand). Fine aggregate shall conform to the requirements of ASTM C 33 except for aggregate gradation. Any aggregate gradation which produces performance characteristics of the CLSM specified herein will be accepted, except as follows.

<u>Sieve Size</u>	<u>Percent Passing by weight</u>
3/4 inch (19.0 mm)	100
No. 200 (0.075 mm)	0 - 12

d. Water. Water used in mixing shall be free of oil, salt, acid, alkali, sugar, vegetable matter, or other substances injurious to the finished product.

Dyes and other methods of coloring the backfill material may be incorporated if desired.

MIX DESIGN

153-3.1 PROPORTIONS. The contractor shall submit, to the Engineer, a mix design including the proportions and source of materials, admixtures, and dry cubic yard (cubic meter) batch weights. The mix shall contain a minimum of 50 pounds of cement and 250 pounds fly ash per cubic yard (30 kg of cement and 148 kg of fly ash per cubic meter), with the remainder of the volume composed of sand, water, and any approved admixtures.

a. Compressive Strength. CLSM shall be designed to achieve a 28-day compressive strength of 100 to 200 psi (690 to 3 680 kPa) when tested in accordance with ASTM C 39. There should be no significant strength gain after 28 days. Test specimens shall be made in accordance with ASTM C 31 except that the samples will not be rodded or vibrated and shall be air cured in their molds for the duration of the cure period.

b. Consistency. Consistency of the fresh mixture shall be such that the mixture may be placed without segregation. A desired consistency may be approximated by filling an open-ended three-inch (75 mm) diameter cylinder, six inches (150 mm) high to the top, with the mixture and the cylinder immediately pulled straight up. The correct consistency of the mixture will produce an approximate eight-inch (205 mm) diameter circular-type spread without segregation. Adjustments of the proportions of materials should be made to achieve proper solid suspension and flowable characteristics, however the theoretical yield shall be maintained at one cubic yard (cubic meter) for the given batch weights.

CONSTRUCTION METHODS

153-4.1 PLACEMENT.

a. Placement. CLSM may be placed by any reasonable means from a mixing unit into the space to be filled. Agitation is required during transportation and waiting time. Placement shall be performed in such a manner that structures or pipes are not displaced from their desired final position and intrusion of CLSM into undesirable areas is avoided. The material shall be brought up uniformly to the fill line shown on the plans or as directed to the Engineer. Each placement of CLSM shall be as continuous an operation as possible. If CLSM is placed in more than one layer, the base layer shall be free of surface water and loose of foreign material prior to placement of the next layer.

b. Limitations of Placement. CLSM shall not be placed on frozen ground. Mixing and placing may begin when the air or ground temperature is at least 35 degrees F (2 degrees C) and rising. At the time of placement, CLSM shall have a temperature of at least 40 degrees F (4 degrees C). Mixing and placement shall stop when the air temperature is 40 degrees F (4 degrees C) and falling or when the anticipated air or ground temperature will be 35 degrees F (2 degrees C) or less in the 24 hour period following proposed placement.

153-4.2 CURING AND PROTECTION

a. Curing. The air in contact with the CLSM should be maintained at temperatures above freezing for a minimum of 72 hours. If the CLSM is subjected to temperatures below 32 degrees F (0 degrees C), the material may be rejected by the Engineer if damage to the material is observed.

b. Protection. The CLSM shall not be subject to loads and shall remain undisturbed by construction activities for a period of 48 hours or until a compressive strength of 15 psi (105 kPa) is obtained. The Contractor shall be responsible for providing evidence to the Engineer that the material has reached the desired strength. Acceptable evidence shall be based upon compressive tests made in accordance with paragraph 153-3.1a.

MATERIAL ACCEPTANCE

153-5.1 Acceptance. Acceptance of CLSM delivered and placed as shown on the plans or as directed by the Engineer shall be based upon mix design approval and batch tickets provided by the Contractor to confirm that the delivered material conforms to the mix design. The Contractor shall verify by additional testing, each 5,000 cubic yards (3,825 cubic meters) of material used. Verification shall include confirmation of material proportions and tests of compressive strength to confirm that the material meets the original mix design and the requirements of CLSM as defined in this specification. Adjustments shall be made as necessary to the proportions and materials prior to further production.

METHOD OF MEASUREMENT

153-6.1 Measurement. Controlled low strength material shall be measured by the number of [cubic yards (cubic meters)] as computed from the neatline plan and section, adjusted for the quantities for any embedments, and as specified, completed, and accepted..

BASIS OF PAYMENT

153-7.1 Payment. Accepted quantities of controlled low strength material shall be paid for at the contract unit price per [cubic yard (cubic meter)]. Payment shall be full compensation for all materials, equipment, labor, and incidentals required to complete the work as specified.

TESTING REQUIREMENTS

ASTM C 31 Making and Curing Concrete Test Specimens in the Field
ASTM C 39 Compressive Strength of Cylindrical Concrete

MATERIAL REQUIREMENTS

ASTM C 33 Specification for Concrete Aggregates
ASTM C 150 Specification for Portland Cement
ASTM C 618 Specification for Coal Fly Ash and Raw or Calcined Natural Pozzolan for Use as a Mineral Admixture in Concrete
ASTM C 595 Specification for Blended Hydraulic Cements

END OF ITEM P-153

Intentionally Left Blank

ITEM P-154 SUBBASE COURSE

DESCRIPTION

154-1.1 This item shall consist of a subbase course composed of granular materials constructed on a prepared subgrade or underlying course in accordance with these specifications, and in conformity with the dimensions and typical cross section shown on the plans.

MATERIALS

154-2.1 MATERIALS. The subbase material shall consist of hard durable particles or fragments of granular aggregates. This material will be mixed or blended with fine sand, clay, stone dust, or other similar binding or filler materials produced from approved sources. This mixture must be uniform and shall comply with the requirements of these specifications as to gradation, soil constants, and shall be capable of being compacted into a dense and stable subbase. The material shall be free from vegetable matter, lumps or excessive amounts of clay, and other objectionable or foreign substances. Pit-run material may be used, provided the material meets the requirements specified.

TABLE 1. GRADATION REQUIREMENTS

Sieve designation (square openings) as per ASTM C 136 and ASTM D 422	Percentage by weight passing sieves
3 inch (75.0 mm)	100
No. 10 (2.0 mm)	20-100
No. 40 (0.450 mm)	5-60
No. 200 (0.075 mm)	0-8

The portion of the material passing the No. 40 (0.450 mm) sieve shall have a liquid limit of not more than 25 and a plasticity index of not more than 6 when tested in accordance with ASTM D 4318.

The maximum amount of material finer than 0.02 mm in diameter shall be less than 3%.

Include testing frequencies for the particle size distribution for preliminary and minimum of one per day during construction.

CONSTRUCTION METHODS

154-3.1 GENERAL. The subbase course shall be placed where designated on the plans or as directed by the Engineer. The material shall be shaped and thoroughly compacted within the tolerances specified.

Granular subbases which, due to grain sizes or shapes, are not sufficiently stable to support without movement the construction equipment, shall be mechanically stabilized to the depth necessary to provide such stability as directed by the Engineer. The mechanical stabilization shall principally include the addition of a fine-grained medium to bind the particles of the subbase material sufficiently to furnish a bearing strength, so that the course will not deform under the traffic of the construction equipment. The addition of the binding medium to the subbase material shall not increase the soil constants of that material above the limits specified.

154-3.2 OPERATION IN PITS. All work involved in clearing and stripping pits and handling unsuitable material encountered shall be performed by the Contractor at his/her own expense. The subbase material shall be obtained from pits or sources that have been approved. The material in the pits shall be excavated and handled in such manner that a uniform and satisfactory product can be secured.

154-3.3 PREPARING UNDERLYING COURSE. Before any subbase material is placed, the underlying course shall be prepared and conditioned as specified. The course shall be checked and accepted by the Engineer before placing and spreading operations are started.

To protect the subgrade and to ensure proper drainage, the spreading of the subbase shall begin along the centerline of the pavement on a crowned section or on the high side of pavements with a one-way slope.

154-3.4 MATERIALS ACCEPTANCE IN EXISTING CONDITION. When the entire subbase material is secured in a uniform and satisfactory condition and contains approximately the required moisture, such approved material may be moved directly to the spreading equipment for placing. The material may be obtained from gravel pits, stockpiles, or may be produced from a crushing and screening plant with the proper blending. The materials from these sources shall meet the requirements for gradation, quality, and consistency. It is the intent of this section of the specifications to secure materials that will not require further mixing. The moisture content of the material shall be approximately that required to obtain maximum density. Any minor deficiency or excess of moisture may be corrected by surface sprinkling or by aeration. In such instances, some mixing or manipulation may be required, immediately preceding the rolling, to obtain the required moisture content. The final operation shall be blading or dragging, if necessary, to obtain a smooth uniform surface true to line and grade.

154-3.5 PLANT MIXING. When materials from several sources are to be blended and mixed, the subbase material shall be processed in a central or travel mixing plant. The subbase material, together with any blended material, shall be thoroughly mixed with the required amount of water. After the mixing is complete, the material shall be transported to and spread on the underlying course without undue loss of the moisture content.

154-3.5.1 MIXED IN PLACE. When materials from different sources are to be proportioned and mixed or blended in place, the relative proportions of the components of the mixture shall be as designated by the Engineer.

The subbase material shall be deposited and spread evenly to a uniform thickness and width. Then the binder, filler or other material shall be deposited and spread evenly over the first layer. There shall be as many layers of materials added as the Engineer may direct to obtain the required subbase mixture.

When the required amount of materials have been placed, they shall be thoroughly mixed and blended by means of graders, discs, harrows, rotary tillers, supplemented by other suitable equipment if necessary. The mixing shall continue until the mixture is uniform throughout. Areas of segregated material shall be corrected by the addition of binder or filler material and by thorough remixing. Water in the amount and as directed by the Engineer shall be uniformly applied prior to and during the mixing operations, if necessary, to maintain the material at its required moisture content. When the mixing and blending has been completed, the material shall be spread in a uniform layer which, when compacted, will meet the requirements of thickness and typical cross section.

If mixing in place will not provide a consistent subbase material, delete paragraph 154-3.5.1.

154-3.6 GENERAL METHODS FOR PLACING. The subbase course shall be constructed in layers. Any layer shall be not less than 3 inches (75 mm) nor more than 8 inches (200 mm) of compacted thickness. The subbase material shall be deposited and spread evenly to a uniform thickness and width. The material, as spread, shall be of uniform gradation with no pockets of fine or coarse materials. The subbase, unless otherwise permitted by the Engineer, shall not be spread more than 2,000 square yards (1700 square meters) in advance of the rolling. Any necessary sprinkling shall be kept within this limit. No material shall be placed in snow or on a soft, muddy, or frozen course.

When more than one layer is required, the construction procedure described herein shall apply similarly to each layer.

During the placing and spreading, sufficient caution shall be exercised to prevent the incorporation of subgrade, shoulder, or foreign material in the subbase course mixture.

154-3.7 FINISHING AND COMPACTING. After spreading or mixing, the subbase material shall be thoroughly compacted by rolling and sprinkling, when necessary. Sufficient rollers shall be furnished to adequately handle the rate of placing and spreading of the subbase course.

The field density of the compacted material shall be at least 100 percent of the maximum density of laboratory specimens prepared from samples of the subbase material delivered to the jobsite. The laboratory specimens shall be compacted and tested in accordance with []. The in-place field density shall be determined in accordance with ASTM D 1556 or ASTM D 2922. The moisture content of the material at the start of compaction shall not be below nor more than 2 percentage points above the optimum moisture content.

The Engineer shall specify ASTM D 698 for areas designated for aircraft with gross weights of 60,000 pounds (27 200 kg) or less and ASTM D 1557 for areas designated for aircraft with gross weights greater than 60,000 pounds (27 200 kg).

Include testing frequencies per square yard or cubic yard for density and moisture acceptance tests.

AASHTO T99 or T-180 (Moisture-Density) should be specified for soils that are expected to have more than 30% retained on the 3/4-inch sieve. The moisture-density relationship test procedures ASTM D 698 and D1557 are not applicable for materials with greater than 30 retained on the 3/4-inch sieve. A replacement procedure (ASTM D 4718) for the coarse material (greater than 3/4-inch) is used with ASTM methods but only until up to 30 percent is retained. Maximum density testing (ASTM D 4253) may be used but it also limits the material retained on the 1-1/2-inch sieve to 30 percent. The AASHTO T-99 and T-180 are similar to ASTM D 698 and D 1557, except they do not limit the replacement of the coarse material.

Material meeting the requirements of Item P-154 may be free-draining which may prevent the material from retaining sufficient moisture to meet the moisture at compaction requirements of this paragraph. If this situation occurs during field operations, minimum moisture content should be established for placement of the material.

When nuclear density gages are to be used for density determination, testing shall be in accordance with Section 120.

The course shall not be rolled when the underlying course is soft or yielding or when the rolling causes undulation in the subbase. When the rolling develops irregularities that exceed 1/2 inch (12 mm) when tested with a 16-foot (4.8 m) straightedge, the irregular surface shall be loosened and then refilled with the same kind of material as that used in constructing the course and again rolled as required above.

Along places inaccessible to rollers, the subbase material shall be tamped thoroughly with mechanical or hand tampers.

Sprinkling during rolling, if necessary, shall be in the amount and by equipment approved by the Engineer. Water shall not be added in such a manner or quantity that free water will reach the underlying layer and cause it to become soft.

154-3.8 SURFACE TEST. After the course is completely compacted, the surface shall be tested for smoothness and accuracy of grade and crown; any portion found to lack the required smoothness or to fail in accuracy of grade or crown shall be scarified, reshaped, recompacted, and otherwise manipulated as the Engineer may direct until the

required smoothness and accuracy re obtained. The finished surface shall not vary more than 1/2 inch (12 mm) when tested with a 16-foot (4.8 m) straightedge applied parallel with, and at right angles to, the centerline.

154-3.9 THICKNESS. The thickness of the completed subbase course shall be determined by depth tests or sample holes taken at intervals so each test shall represent no more than 500 square yards (420 square meters). When the deficiency in thickness is more than 1/2 inch (12 mm), the Contractor shall correct such areas by scarifying, adding satisfactory mixture, rolling, sprinkling, reshaping, and finishing in accordance with these specifications. The Contractor shall replace at his/her expense the subbase material where borings are taken for test purposes.

The use of survey for thickness determination is permitted.

154-3.10 PROTECTION. Work on subbase course shall not be conducted during freezing temperature nor when the subgrade is wet. When the subbase material contains frozen material or when the underlying course is frozen, the construction shall be stopped.

154-3.11 MAINTENANCE. Following the final shaping of the material, the subbase shall be maintained throughout its entire length by the use of standard motor graders and rollers until, in the judgment of the Engineer, the subbase meets all requirements and is acceptable for the construction of the next course.

METHOD OF MEASUREMENT

154-4.1 The yardage of subbase course to be paid for shall be the number of cubic yards (cubic meters) of subbase course material placed, compacted, and accepted in the completed course. The quantity of subbase course material shall be measured in final position based upon depth tests or cores taken as directed by the Engineer, or at the rate of 1 depth test for each 500 square yards (420 square meters) of subbase course, or by means of average end areas on the complete work computed from elevations to the nearest 0.01 foot (3 mm). On individual depth measurements, thicknesses more than 1/2 inch (12 mm) in excess of that shown on the plans shall be considered as the specified thickness plus 1/2 inch (12 mm) in computing the yardage for payment. Subbase materials shall not be included in any other excavation quantities.

BASIS OF PAYMENT

154-5.1 Payment shall be made at the contract unit price per cubic yard (cubic meter) for subbase course. This price shall be full compensation for furnishing all materials; for all preparation, hauling, and placing of these materials; and for all labor, equipment, tools, and incidentals necessary to complete the item.

Payment will be made under:

Item P-154-5.1 Subbase Course—per cubic yard (cubic meter)

TESTING REQUIREMENTS

ASTM C 136 Sieve Analysis of Fine and Coarse Aggregates

ASTM D 422 Particle Size Analysis of Soils

ASTM D 698 Moisture-Density Relations of Soils and Soil-Aggregate Mixtures Using 5.5 lb (2.49 kg) Rammer and 12-in (305 mm) Drop

ASTM D 1556 Density of Soil in Place by the Sand-Cone Method

ASTM D 1557 Test for Laboratory Compaction Characteristics of Soil Using Modified Effort

ASTM D 2922 Density of Soil in Place by the Nuclear Density Method

ASTM D 4318 Liquid Limit, Plastic Limit, and Plasticity Index of Soils

END OF ITEM P-154

Intentionally Left Blank

ITEM P-155 LIME-TREATED SUBGRADE

The soluble sulfate contents of the soils should be checked during design to determine if stabilization with lime, cement, and/or fly ash can react and induce heave. Contents as low as 0.5% soluble sulfates have resulted in the formation of ettringite and thaumasite, which expands when available water is present.

DESCRIPTION

155-1.1 This item shall consist of constructing one or more courses of a mixture of soil, lime, and water in accordance with this specification, and in conformity with the lines, grades, thicknesses, and typical cross sections shown on the plans.

MATERIALS

155-2.1 HYDRATED LIME. All lime shall be manufactured high-calcium quicklime, low-calcium quicklime, or hydrated lime, as defined by ASTM C 51, and conform to the requirements of ASTM C 977. By product lime or any form of calcium oxide (CaO), calcium hydroxide (Ca(OH)2), magnesium oxide (MgO) or magnesium hydroxide (Mg(OH)2), alone or in combination, that are not directly produced from quicklime produced from calcining limestone, shall not be permitted.

155-2.2 COMMERCIAL LIME SLURRY. Commercial lime slurry shall be a pumpable suspension of solids in water. The water or liquid portion of the slurry shall not contain dissolved material in sufficient quantity naturally injurious or objectionable for the purpose intended. The solids portion of the mixture, when considered on the basis of "solids content," shall consist principally of hydrated lime of a quality and fineness sufficient to meet the following requirements as to chemical composition and residue.

a. Chemical Composition. The "solids content" of the lime slurry shall consist of a minimum of 70%, by weight, of calcium and magnesium oxides.

b. Residue. The percent by weight of residue retained in the "solids content" of lime slurry shall conform to the following requirements:

- Residue retained on a No. 6 (3360 micron) sieve ----- Max. 0.0%
- Residue retained on a No. 10 (2000 micron) sieve ----- Max. 1.0%
- Residue retained on a No. 30 (590 micron) sieve ----- Max. 2.5%

c. Grade. Commercial lime slurry shall conform to one of the following two grades:

- Grade 1. The "dry solids content" shall be at least 31% by weight, of the slurry.
- Grade 2. The "dry solids content" shall be at least 35%, by weight, of the slurry.

155-2.3 WATER. Water used for mixing or curing shall be reasonably clean and free of oil, salt, acid, alkali, sugar, vegetable, or other substances injurious to the finished product. Water shall be tested in accordance with and shall meet the suggested requirements of AASHTO T 26. Water known to be of potable quality may be used without test.

155-2.4 SOIL. The soil for this work shall consist of materials on the site or selected materials from other sources and shall be uniform in quality and gradation, and shall be approved by the Engineer. The soil shall be free of roots, sod, weeds, and stones larger than 2-1/2 inches (60 mm).

COMPOSITION

155-3.1 LIME. Lime shall be applied at the rate specified on the plans for the depth of subgrade treatment shown.

This paragraph should specify the amount of lime to be incorporated either by percent of dry weight or by the desired performance criteria. Samples for determination of lime content should be from material, which will represent the final placement of material to be treated. The Lime content should be sufficient to lower the Liquid Limit to less than 30 and the Plasticity Index to less than 10.

The project specifications should address the percent of lime to be used in the project. If the exact percent is not specified, the contractor should be provided with some means to estimate (for bidding purposes) the quantity of lime to be used in the project.

155-3.2 TOLERANCES. At final compaction, the lime and water content for each course of subgrade treatment shall conform to the following tolerances:

Material	Tolerance
Lime	+ 0.5%
Water	+ 2%, -0%

WEATHER LIMITATIONS

155-4.1 WEATHER LIMITATION. The lime-treated subgrade shall not be mixed while the atmospheric temperature is below 40 F (4 C) or when conditions indicate that temperatures may fall below 40 F (4 C) within 24 hours, when it is foggy or rainy, or when soil or subgrade is frozen.

EQUIPMENT

155-5.1 EQUIPMENT. The equipment required shall include all equipment necessary to complete this item such as: grading and scarifying equipment, a spreader for the lime or lime slurry, mixing or pulverizing equipment, sheepsfoot and pneumatic or vibrating rollers, sprinkling equipment, and trucks.

CONSTRUCTION METHODS

155-6.1 GENERAL. It is the primary requirement of this specification to secure a completed subgrade containing a uniform lime mixture, free from loose or segregated areas, of uniform density and moisture content, well bound for its full depth, and with a smooth surface suitable for placing subsequent courses. It shall be the responsibility of the Contractor to regulate the sequence of his/her work, to use the proper amount of lime, maintain the work, and rework the courses as necessary to meet the above requirements.

Prior to beginning any lime treatment, the subgrade shall be constructed and brought to grade as specified in Item P-152 "Excavation and Embankment" and shall be shaped to conform to the typical sections, lines, and grades as shown on the plans. The material to be treated shall then be excavated to the secondary grade (proposed bottom of lime treatment) and removed or windrowed to expose the secondary grade. Any wet or unstable materials below the

secondary grade shall be corrected, as directed by the Engineer, by scarifying, adding lime, and compacting until it is of uniform stability. The excavated material shall then be spread to the desired cross section.

If the Contractor elects to use a cutting and pulverizing machine that will remove the subgrade material accurately to the secondary grade and pulverize the material at the same time, he will not be required to expose the secondary grade nor windrow the material. However, the Contractor shall be required to roll the subgrade, as directed by the Engineer, and correct any soft areas that this rolling may reveal before using the pulverizing machine. This method will be permitted only where a machine is provided which will ensure that the material is cut uniformly to the proper depth and which has cutters that will plane the secondary grade to a smooth surface over the entire width of the cut. The machine must give visible indication at all times that it is cutting to the proper depth.

155-6.2 APPLICATION. Lime shall be spread only on that area where the first mixing operations can be completed during the same working day. The application and mixing of lime with the soil shall be accomplished by the methods hereinafter described as "Dry Placing" or "Slurry Placing." When hydrated lime is specified, the Contractor may use either method.

a. Dry Placing. The lime shall be spread uniformly over the top of the subgrade by an approved screw-type spreader box or other approved spreading equipment. The amount of lime spread shall be the amount required for mixing to the specified depth that will result in the percentage determined in the job mix formula.

The lime shall be distributed in such manner that scattering by wind will be minimal. Lime shall not be applied when wind conditions, in the opinion of the Engineer, are detrimental to a proper application. A motor grader shall not be used to spread the lime. The material shall be sprinkled, as directed by the Engineer, until the proper moisture content has been reached.

b. Slurry Placing. The lime shall be mixed with water in trucks with approved distributors and applied as a thin water suspension or slurry. Commercial lime slurry shall be applied with a lime percentage not less than that applicable for the grade used. The distribution of lime shall be attained by successive passes over a measured section of subgrade until the proper amount of lime has been spread. The amount of lime spread shall be the amount required for mixing to the specified depth that will result in the percentage determined in the job mix formula. The distributor truck shall continually agitate the slurry to keep the mixture uniform.

155-6.3 MIXING. The mixing procedure shall be the same for "Dry Placing" or "Slurry Placing" as hereinafter described:

a. First Mixing. The full depth of the treated subgrade shall be mixed with an approved mixing machine. Lime shall not be left exposed for more than 6 hours. The mixing machine shall make two coverages. Water shall be added to the subgrade during mixing to provide a moisture content above the optimum moisture of the material and to ensure chemical action of the lime and subgrade. After mixing, the subgrade shall be lightly rolled to seal the surface and help prevent evaporation of moisture. The water content of the subgrade mixture shall be maintained at a moisture content above the optimum moisture content for a minimum of 48 hours or until the material becomes friable. During the curing period, the material shall be sprinkled as directed. During the interval of time between application and mixing, lime that has been exposed to the open air for 6 hours or more, or to excessive loss due to washing or blowing will not be accepted for payment.

b. Final Mixing. After the required curing time, the material shall be uniformly mixed by approved methods. If the mixture contains clods, they shall be reduced in size by blading, discing, harrowing, scarifying, or the use of other approved pulverization methods so that the remainder of the clods shall meet the following requirements when tested dry by laboratory sieves:

	Percent
Minimum of clods passing 1-1/2\ inch sieve	100
Minimum of clods passing No. 4 sieve	60

155-6.4 COMPACTION. Compaction of the mixture shall begin immediately after final mixing. The material shall be aerated or sprinkled as necessary to provide optimum moisture. The field density of the compacted mixture

shall be at least 93 percent of the maximum density of laboratory specimens prepared from samples taken from the material in place. The specimens shall be compacted and tested in accordance with ASTM D 698. The in-place field density shall be determined in accordance with ASTM D 1556 or ASTM D 2922. Any mixture that has not been compacted shall not be left undisturbed for more than 30 minutes. The moisture content of the mixture at the start of compaction shall not be below nor more than 2 percentage points above the optimum moisture content. The optimum moisture content shall be determined in accordance with ASTM D 698 and shall be less than that amount which will cause the mixture to become unstable during compaction and finishing.

The material shall be sprinkled and rolled as directed by the Engineer. All irregularities, depressions, or weak spots that develop shall be corrected immediately by scarifying the areas affected, adding or removing material as required, and reshaping and recompacting by sprinkling and rolling. The surface of the course shall be maintained in a smooth condition, free from undulations and ruts, until other work is placed thereon or the work is accepted.

In addition to the requirements specified for density, the full depth of the material shown on the plans shall be compacted to the extent necessary to remain firm and stable under construction equipment. After each section is completed, tests will be made by the Engineer. If the material fails to meet the density requirements, it shall be reworked to meet these requirements. Throughout this entire operation, the shape of the course shall be maintained by blading, and the surface upon completion shall be smooth and shall conform with the typical section shown on the plans and to the established lines and grades. Should the material, due to any reason or cause, lose the required stability, density, and finish before the next course is placed or the work is accepted, it shall be recompacted and refinished at the sole expense of the Contractor.

When nuclear gages are to be used for density determination, testing shall be done in accordance with Section 120.

155-6.5 FINISHING AND CURING. After the final layer or course of lime-treated subgrade has been compacted, it shall be brought to the required lines and grades in accordance with the typical sections. The completed section shall then be finished by rolling, as directed, with a pneumatic or other suitable roller sufficiently light to prevent hair cracking. The finished surface shall not vary more than 3/8 inch (9 mm) when tested with a 16-foot (4.8 meter) straightedge applied parallel with and at right angles to the pavement centerline. Any variations in excess of this tolerance shall be corrected by the Contractor, at his/her own expense, in a manner satisfactory to the Engineer.

The completed section shall be moist-cured for a minimum of 7 days before further courses are added or any traffic is permitted, unless otherwise directed by the Engineer. Subsequent courses shall be applied within 14 days after the lime-treated subgrade is cured.

155-6.6 THICKNESS. The thickness of the lime-treated subgrade shall be determined by depth tests or cores taken at intervals so that each test shall represent no more than 300 square yards (250 square meters). When the base deficiency is more than 1/2 inch (12 mm), the Contractor shall correct such areas in a manner satisfactory to the Engineer. The Contractor shall replace, at his/her expense, the base material where borings are taken for test purposes.

155-6.7 MAINTENANCE. The Contractor shall maintain, at his/her own expense, the entire lime-treated subgrade in good condition from the start of work until all the work has been completed, cured, and accepted by the Engineer.

METHOD OF MEASUREMENT

155-7.1 The yardage of lime-treated subgrade to be paid for shall be the number of square yards (square meters) completed and accepted.

155-7.2 The amount of lime to be paid for shall be the number of tons (kg) of Hydrated Lime, or the calculated equivalent thereof, used as authorized. "Calculated Equivalent" will be determined by the Engineer as follows:

a. Hydrated lime delivered to the project in dry form will be measured according to the actual tonnage either spread on the subgrade or batched on site into a slurry, whichever is applicable.

b. Lime delivered to the project in slurry form will be paid for on the basis of certified chemical composition tickets and batch weight tickets. The owner shall reserve the right to have the dry lime content verified by an independent testing laboratory. If the chemical composition is reported on the basis of Pebble Quicklime, the equivalent hydrated lime will be determined in accordance with paragraph c. below.

c. If Pebble Quicklime is delivered to the project in dry form it will be measured for payment on the basis of the following formula:

$$\text{Total Quicklime (CaO)(Tons)} \times \% \text{Purity} \times 1.32 \text{ Factor} + \text{Total Quicklime (CaO)(Tons)} \times \% \text{ Impurities} \times 1.00 \text{ Factor} \\ = \text{Equivalent Hydrated Lime Ca(OH)}_2 \text{(Tons)}.$$

The foregoing will apply whether the quicklime is spread dry (if allowed) or batched into a slurry.

BASIS OF PAYMENT

155-8.1 Payment shall be made at the contract unit price per square yard (square meter) for the lime-treated subgrade of the thickness specified. The price shall be full compensation for furnishing all material, except the lime, and for all preparation, delivering, placing and mixing these materials, and all labor, equipment, tools and incidentals necessary to complete this item.

155-8.2 Payment shall be made at the contract unit price per pound (kg) of lime. This price shall be full compensation for furnishing this material; for all delivery, placing and incorporation of this material; and for all labor, equipment, tools, and incidentals necessary to complete this item.

Payment will be made under:

Item P-155-8.1 Lime-treated subgrade—per square yard (square meter)

Item P-155-8.2 Lime—per pound (kg)

TESTING REQUIREMENTS

ASTM D 698 Moisture-Density Relations of Soils and Soil-Aggregate Mixtures Using 5.5 lb (2.49 kg) Rammer and 12-in. (305 mm) Drop

ASTM D 1556 Density of Soil in Place by the Sand-Cone Method

ASTM D 2922 Density of Soil in Place by the Nuclear Density Method

AASHTO T 26 Quality of Water to be Used in Concrete

MATERIAL REQUIREMENTS

ASTM C 977 Quicklime and Hydrated Lime for Soil Stabilization

END OF ITEM P-155

Intentionally Left Blank

ITEM P-156 TEMPORARY AIR AND WATER POLLUTION, SOIL EROSION, AND SILTATION CONTROL

DESCRIPTION

156-1.1 This item shall consist of temporary control measures as shown on the plans or as ordered by the Engineer during the life of a contract to control water pollution, soil erosion, and siltation through the use of berms, dikes, dams, sediment basins, fiber mats, gravel, mulches, grasses, slope drains, and other erosion control devices or methods.

The temporary erosion control measures contained herein shall be coordinated with the permanent erosion control measures specified as part of this contract to the extent practical to assure economical, effective, and continuous erosion control throughout the construction period.

Temporary control may include work outside the construction limits such as borrow pit operations, equipment and material storage sites, waste areas, and temporary plant sites.

MATERIALS

156-2.1 GRASS. Grass that will not compete with the grasses sown later for permanent cover shall be a quick-growing species (such as ryegrass, Italian ryegrass, or cereal grasses) suitable to the area providing a temporary cover.

156-2.2 MULCHES. Mulches may be hay, straw, fiber mats, netting, bark, wood chips, or other suitable material reasonably clean and free of noxious weeds and deleterious materials.

156-2.3 FERTILIZER. Fertilizer shall be a standard commercial grade and shall conform to all Federal and state regulations and to the standards of the Association of Official Agricultural Chemists.

156-2.4 SLOPE DRAINS. Slope drains may be constructed of pipe, fiber mats, rubble, portland cement concrete, bituminous concrete, or other materials that will adequately control erosion.

156-2.5 OTHER. All other materials shall meet commercial grade standards and shall be approved by the Engineer before being incorporated into the project.

CONSTRUCTION REQUIREMENTS

156-3.1 GENERAL. In the event of conflict between these requirements and pollution control laws, rules, or regulations of other Federal, state, or local agencies, the more restrictive laws, rules, or regulations shall apply.

The Engineer shall be responsible for assuring compliance to the extent that construction practices, construction operations, and construction work are involved.

Some states, municipalities, and pollution control authorities have very specific regulations for air and water pollution controls. These may include requirements for:

Use of smoke density charts.

Measurement of weight and density (micrograms per cubic meter of air) of suspended particulate.

Permissible weights of emission in pounds per hour (kilograms per hour) versus pounds per hour (kilograms per hour) of material processed.

Open burning.

Erosion control measures.

156-3.2 SCHEDULE. Prior to the start of construction, the Contractor shall submit schedules for accomplishment of temporary and permanent erosion control work, as are applicable for clearing and grubbing; grading; construction; paving; and structures at watercourses. The Contractor shall also submit a proposed method of erosion and dust control on haul roads and borrow pits and a plan for disposal of waste materials. Work shall not be started until the erosion control schedules and methods of operation for the applicable construction have been accepted by the Engineer.

Several methods of controlling dust and other air pollutants include:

Exposing the minimum area of erodible earth.

Applying temporary mulch with or without seeding.

Using water sprinkler trucks.

Using covered haul trucks.

Using dust palliatives or penetration asphalt on haul roads.

Using plastic sheet coverings.

156-3.3 AUTHORITY OF ENGINEER. The Engineer has the authority to limit the surface area of erodible earth material exposed by clearing and grubbing, to limit the surface area of erodible earth material exposed by excavation, borrow and fill operations, and to direct the Contractor to provide immediate permanent or temporary pollution control measures to minimize contamination of adjacent streams or other watercourses, lakes, ponds, or other areas of water impoundment.

156-3.4 CONSTRUCTION DETAILS. The Contractor will be required to incorporate all permanent erosion control features into the project at the earliest practicable time as outlined in the accepted schedule. Except where future construction operations will damage slopes, the Contractor shall perform the permanent seeding and mulching and other specified slope protection work in stages, as soon as substantial areas of exposed slopes can be made available. Temporary erosion and pollution control measures will be used to correct conditions that develop during construction that were not foreseen during the design stage; that are needed prior to installation of permanent control features; or that are needed temporarily to control erosion that develops during normal construction practices, but are not associated with permanent control features on the project.

Where erosion is likely to be a problem, clearing and grubbing operations should be scheduled and performed so that grading operations and permanent erosion control features can follow immediately thereafter if the project conditions permit; otherwise, temporary erosion control measures may be required between successive construction stages.

The Engineer will limit the area of clearing and grubbing, excavation, borrow, and embankment operations in progress, commensurate with the Contractor's capability and progress in keeping the finish grading, mulching, seeding, and other such permanent control measures current in accordance with the accepted schedule. Should

seasonal limitations make such coordination unrealistic, temporary erosion control measures shall be taken immediately to the extent feasible and justified.

In the event that temporary erosion and pollution control measures are required due to the Contractor's negligence, carelessness, or failure to install permanent controls as a part of the work as scheduled or are ordered by the Engineer, such work shall be performed by the Contractor at his/her own expense.

The Engineer may increase or decrease the area of erodible earth material to be exposed at one time as determined by analysis of project conditions.

The erosion control features installed by the Contractor shall be acceptably maintained by the Contractor during the construction period.

Whenever construction equipment must cross watercourses at frequent intervals, and such crossings will adversely affect the sediment levels, temporary structures should be provided.

Pollutants such as fuels, lubricants, bitumen, raw sewage, wash water from concrete mixing operations, and other harmful materials shall not be discharged into or near rivers, streams, and impoundments or into natural or manmade channels leading thereto.

METHOD OF MEASUREMENT

156-4.1 Temporary erosion and pollution control work required which is not attributed to the Contractor's negligence, carelessness, or failure to install permanent controls will be performed as scheduled or ordered by the Engineer. Completed and accepted work will be measured as follows:

- a. Temporary seeding and mulching will be measured by the square yard (square meter).
- b. Temporary slope drains will be measured by the linear foot (meter).
- c. Temporary benches, dikes, dams, and sediment basins will be measured by the cubic yard (cubic meter) of excavation performed, including necessary cleaning of sediment basins, and the cubic yard (cubic meter) of embankment placed at the direction of the Engineer, in excess of plan lines and elevations.
- d. All fertilizing will be measured by the ton (kilogram).

156-4.2 Control work performed for protection of construction areas outside the construction limits, such as borrow and waste areas, haul roads, equipment and material storage sites, and temporary plant sites, will not be measured and paid for directly but shall be considered as a subsidiary obligation of the Contractor with costs included in the contract prices bid for the items to which they apply.

BASIS OF PAYMENT

156-5.1 Accepted quantities of temporary water pollution, soil erosion, and siltation control work ordered by the Engineer and measured as provided in paragraph 156-4.1 will be paid for under:

- | | |
|----------------|---|
| Item P-156-5.1 | Temporary seeding and mulching—per square yard (square meter) |
| Item P-156-5.2 | Temporary slope drains—per linear foot (meter) |
| Item P-156-5.3 | Temporary benches, dikes, dams and sediment basins—per cubic yard (cubic meter) |
| Item P-156-5.4 | Fertilizing—per ton (kilogram) |

Where other directed work falls within the specifications for a work item that has a contract price, the units of work shall be measured and paid for at the contract unit price bid for the various items.

Temporary control features not covered by contract items that are ordered by the Engineer will be paid for in accordance with Section 90-05.

END OF ITEM P-156

ITEM P-157 CEMENT KILN DUST (CKD) TREATED SUBGRADE

DESCRIPTION

157-1.1 This item shall consist of constructing one or more courses of a mixture of soil, cement kiln dust, and water in accordance with this specification, and in conformity with the lines, grades, thickness, and typical cross sections shown on the plans.

MATERIALS

157-2.1 CEMENT KILN DUST. Cement kiln dust shall contain a minimum of 40% CaO and be capable of providing the soil modification specified for this project. Cement Kiln Dust from the (_____) Cement Plant(s) is(are) a pre-approved source for cement kiln dust for this project. All other sources shall be identified and approved in advance of stabilization operations in order that laboratory tests can be completed prior to commencing work.

NOTE TO ENGINEER: Enter the known acceptable sources of cement kiln dust. If no sources have been pre-identified, delete the 2nd sentence.

Cement kiln dust shall be stored and handled in closed waterproof containers until immediately before distribution. Temporary storage (less than 12 hours) of cement kiln dust in open pits may be allowed provided that wetting of the cement kiln dust by rain or subgrade moisture is not allowed. Cement kiln dust exposed to moisture prior to mixing with soils shall be discarded.

157-2.3 WATER. Water used for mixing or curing shall be reasonably clean and free of oil, salt, acid, alkali, sugar, vegetable, or other substances injurious to the finished product. Water shall be tested in accordance with and shall meet the suggested requirements of AASHTO T 26. Water known to be of potable quality may be used without testing.

157-2.4 SOIL. The soil for this work shall consist of on site materials or selected materials from other sources and shall be uniform in quality and gradation, and shall be approved by the Engineer. The soil shall be free of roots, sod, weeds, and stones larger than 2 1/2 inches and have a sulfate content of less than 1.0%.

COMPOSITION

157-3.1 CEMENT KILN DUST. Samples for evaluation of cement kiln dust effectiveness shall be taken from each layer of CKD treated subgrade after it has been properly mixed and moisture conditioned. Cement kiln dust shall be added until a Plasticity Index of less than (____) is reached. When the cement kiln dust treated material is used as a base material, it shall be added until minimum CBR of (____) and/or a 7-day accelerated (100°F) compressive strength (Section 8.5 of ASTM C-593) of (____) psi is achieved. Payment will be based on the amount of cement kiln dust required to obtain the minimum soil properties specified.

NOTE TO ENGINEER: Enter the desired properties for the treated material.

157-3.2 TOLERANCES. At final compaction, the CKD and water content for each course of subgrade treatment shall conform to the following tolerances:

<u>Material/Properties</u>	<u>Target</u>	<u>Tolerance</u>	<u>Specifications</u>
Cement Kiln Dust	()%	0 to +2%	% Total Dry Materials
Moisture Content	Optimum	0% to 6%	ASTM D-1557
Plastic Index	< ()	None	ASTM D-4318

NOTE TO ENGINEER: Enter the appropriate values as identified in paragraph 3.1

WEATHER LIMITATIONS

157-4.1 WEATHER LIMITATION. The cement kiln dust-treated subgrade shall not be mixed while the atmospheric temperature is below 40 F or when conditions indicate that temperatures may fall below 40 F within 24 hours, or when soil or subgrade is frozen.

EQUIPMENT

157-5.1 EQUIPMENT. The equipment required shall include all equipment necessary to complete this item such as: grading and scarifying equipment, a spreader for the cement kiln dust, mixing or pulverizing equipment, sheepfoot and pneumatic or vibrating rollers, sprinkling equipment, and trucks.

CONSTRUCTION METHODS

157-6.1 GENERAL. It is the primary requirement of this specification to secure a completed subgrade containing a uniform cement kiln dust/soil mixture, free from loose or segregated areas, of uniform density and moisture content, well mixed for its full depth, and with a smooth surface suitable for placing subsequent courses. It shall be the responsibility of the Contractor to regulate the sequence of his/her work, to use the proper amount of cement kiln dust, maintain the work, and rework the courses as necessary to meet the above requirements.

Prior to beginning any cement kiln dust treatment the subgrade shall be constructed and brought to grade as specified in Item P 152 ``Excavation and Embankment" and shall be shaped to conform to the typical sections, lines, and grades as shown on the plans. Any wet or unstable areas shall be corrected, as directed by the Engineer, by over-excavating, scarifying, adding cement kiln dust, and/or compacting until it is of uniform stability. The Contractor shall be required to roll the subgrade, as directed by the Engineer, and correct any soft areas that this rolling may reveal.

157-6.2 APPLICATION. Cement kiln dust shall be spread only on that area where the first mixing operations can be completed during the same working day. The application and mixing of cement kiln dust with the soil shall be accomplished by the methods hereinafter described as "Dry Placing".

a. Dry Placing. The cement kiln dust shall be spread uniformly over the top of the subgrade by an approved screw type spreader box or other approved spreading equipment. The amount of cement kiln dust spread shall be the amount required for mixing to the specified depth which will result in the percentage determined in the job mix formula.

The cement kiln dust shall be distributed in such a manner that scattering by wind will be minimal. Cement kiln dust shall not be applied when wind conditions, in the opinion of the Engineer, are detrimental to a proper application. The CKD/soil mixture shall be moisture conditioned, as directed by the Engineer, until the proper moisture content has been reached.

157-6.3 MIXING. The mixing procedure shall be the same for "Dry Placing" as hereinafter described:

The full depth of the treated subgrade shall be mixed with a rotary pulv mixer, disc and field cultivator or, other suitable methods as approved by the Engineer. Cement kiln dust shall not be left exposed for more than 1 hour after distribution.

Required moisture contents shall be established by the Engineer based on laboratory tests with the site soils at the specified cement kiln dust percent to be used for soil modification. Final moisture content of the mix, immediately prior to compaction shall be determined in accordance with ASTM C-593 (Modified Proctor) and shall not be less than the optimum moisture content or more than 6 percent over optimum.

If the soil cement kiln dust mixture contains clods greater than 1-1/2 inch in size, they shall be reduced in size by additional pulverization.

As a minimum, one soil sample will be obtained and tested for each 25 tons of CKD incorporated. Testing shall include Plastic Index Determination (ASTM D-4318) and 7-day accelerated compressive strengths (Section 8 ASTM C-593).

Areas that fall below specified values will need to be reworked, as directed by the Engineer.

157-6.4 COMPACTION. Compaction of the soil/cement kiln dust mixture shall be delayed for a minimum of 24 hours after mixing the cement kiln dust into the subgrade. The field density of the compacted mixture shall be at least 90 percent of the maximum density as determined by ASTM D-1557. The in-place field density shall be determined in accordance with ASTM D-1556 or ASTM D 2167. Testing frequency shall be a minimum of 1 compaction test per 5000 square feet of stabilized base or as directed by the Engineer.

All irregularities, depressions, or weak spots that develop shall be corrected immediately by scarifying the areas affected, adding or removing material as required, and reshaping and recompacting. The surface of the course shall be maintained in a smooth condition, free from undulations and ruts, until other work is placed thereon or the work is accepted.

In addition to the requirements specified for density, the full depth of the material shown on the plans shall be compacted to the extent necessary to remain firm and stable under construction equipment. After each section is completed, tests will be made by the Engineer. If the material fails to meet the density requirements, it shall be reworked to meet these requirements. Throughout this entire operation, the shape of the course shall be maintained by blading, and the surface upon completion shall be smooth and shall conform with the typical section shown on the plans to the established lines and grades specified. Should the material, due to any reason or cause, lose the required stability, density, and finish before the next course is placed or the work is accepted, it shall be recompacted and refinished at the sole expense of the Contractor.

157-6.5 FINISHING AND CURING. After the final layer or course of cement kiln dust treated subgrade has been compacted, it shall be brought to the required lines and grades in accordance with the typical sections. The finished surface shall not vary more than 3/8 inch when tested with a 16-foot straightedge applied parallel with and at right angles to the pavement centerline. Any variations in excess of this tolerance shall be corrected by the Contractor, at his/her own expense, in a manner satisfactory to the Engineer.

After the cement kiln dust treated course has been finished as specified herein, the surface shall be protected against rapid drying by either of the following methods for a period of not less than three days or until the pavement section is placed.

- a. Maintain in a thorough and continuously moist condition by sprinkling.
- b. Apply a 2-inch layer of earth on the compacted course and maintain in a moist condition.

157-6.6 THICKNESS. The thickness of the cement kiln dust treated subgrade shall be determined by depth tests or cores taken at intervals so that each test shall represent no more than 300 square yards. When the base deficiency is more than 1/2 inch, the Contractor shall correct such areas in a manner satisfactory to the Engineer. The Contractor shall replace, at his/her expense, the base material where borings are taken for test purposes.

157-6.7 MAINTENANCE. The Contractor shall maintain, at his/her own expense, the entire cement kiln dust treated subgrade in good condition from the start of work until all the work has been completed, cured, and accepted by the Engineer.

157-6.8 HANDLING AND SAFETY. The Contractor shall obtain from the Supplier of the cement kiln dust the instructions for, proper safety and handling of the cement kiln dust.

METHOD OF MEASUREMENT

157-7.1 The amount of cement kiln dust treated subgrade to be paid for shall be based on the number of square yards completed and accepted.

The amount of cement kiln dust utilized is based upon an application rate of (___) percent (by dry weight of soil).

NOTE TO ENGINEER: Enter the estimated percentage of kiln dust for the project.

BASIS OF PAYMENT

157-8.1 Payment shall be made at the contract unit price per square yard for the cement kiln dust treated subgrade for the thickness specified. The price shall be full compensation for furnishing all material, and for all preparation, delivering, placing and mixing these materials, and all labor, equipment, tools and incidentals necessary to complete this item.

Payment will be made under:

Item P 157 8.1 Cement kiln dust treated subgrade per square yard

TESTING REQUIREMENTS

ASTM D-1557 Moisture-Density Relations of Soils and Soil-Aggregate Mixtures Using 10 lb (7.1 kg) Rammer and 18-in. Drop

ASTM D-1556 Density of Soil in Place by the Sand-Cone Method

ASTM D-2167 Density and Unit Weight of Soil in Place by the Rubber-Balloon Method

ASTM D-2922 Density of soil in place by the Nuclear Density Method.

AASHTO T 26 Quality of Water to be Used in Concrete

ASTM C-593 Fly Ash and other Pozzolans for use with Lime

ASTM D-4318 Liquid Limit, Plastic Limit and Plastic Index of Soils

END OF ITEM P-157

ITEM P-158 FLY ASH TREATED SUBGRADE

The soluble sulfate contents of the soils should be checked during design to determine if stabilization with lime, cement, and/or fly ash can react and induce heave. Contents as low as 0.5% soluble sulfates have resulted in the formation of ettringite and thaumasite, which expands when available water is present.

Soils should be tested by the Engineer prior to preparing the specification in order to assure that the fly ash can perform with the soils used in the project.

At target design, the fly ash content should be such that the Liquid limit of the soils is reduced, the PH is increased, and an increase in bearing capacity is achieved.

DESCRIPTION

158-1.1 This item shall consist of constructing one or more courses of a mixture of soil, fly ash, and water in accordance with this specification, and in conformity with the lines, grades, thicknesses, and typical cross sections shown on the plans.

MATERIALS

158-2.1 FLY ASH. Fly ash shall meet ASTM Specifications C-618, Section 3.3 when sampled and tested in accordance with Sections 5,6, and 8, unless otherwise shown on the plans. Fly ash shall be of the Class "C" designation containing a minimum of 25% CaO. The source of the ash shall be identified and approved in advance of stabilization operations in order that laboratory tests can be completed prior to commencing work.

Fly Ash shall be stored and handled in closed weatherproof containers until immediately before distribution. Temporary storage (less than 12 hours) of fly ash in open pits may be allowed provided that wetting of the fly ash by rain or ground water is not allowed. Fly ash exposed to moisture prior to mixing with soils shall be discarded.

158-2.2 WATER. Water used for mixing or curing shall be reasonably clean and free of oil, salt, acid, alkali, sugar, vegetable, or other substances injurious to the finished product. Water shall be tested in accordance with and shall meet the suggested requirements of AASHTO T 26. Water known to be of potable quality may be used without test.

158-2.3 SOIL. The soil for this work shall consist of materials on the site or selected materials from other sources and shall be uniform in quality and gradation, and shall be approved by the Engineer. The soil shall be free of roots, sod, weeds, and stones larger than 2-1/2 inches (60 mm).

COMPOSITION

158-3.1 FLY ASH. Fly ash shall be applied at the rate specified on the plans for the depth of subgrade treatment shown.

This paragraph should specify the amount of fly ash to be incorporated either by percent of dry weight or by the desired performance criteria. Samples for determination of fly ash content should be from material, which will represent the final placement of material to be treated. The fly ash content should be sufficient at target design, such that the liquid limit of the soils is reduced, the PH is increased, and an increase in bearing capacity is achieved.

The project specifications should address the percent of fly ash to be used in the project. If the exact percent is not specified, the contractor should be provided with some means to estimate (for bidding purposes) the quantity of fly ash to be used in the project. Experience has shown that 15% of dry weight has been sufficient.

158-3.2 TOLERANCES. At final compaction, the fly ash and water content for each course of subgrade treatment shall conform to the following tolerances:

Material	Tolerance
Fly Ash	+ 0.5%
Water	+ 2%, -0%

WEATHER LIMITATIONS

158-4.1 WEATHER LIMITATION. The fly ash treated subgrade shall not be mixed while the atmospheric temperature is below 40 F (4 C) or when conditions indicate that temperatures may fall below 40 F (4 C) within 24 hours, when it is foggy or rainy, or when soil or subgrade is frozen.

EQUIPMENT

158-5.1 EQUIPMENT. The equipment required shall include all equipment necessary to complete this item such as: grading and scarifying equipment, a spreader for the fly ash, mixing or pulverizing equipment, sheepsfoot and pneumatic or vibrating rollers, sprinkling equipment, and trucks.

CONSTRUCTION METHODS

158-6.1 GENERAL. It is the primary requirement of this specification to secure a completed subgrade containing a uniform fly ash mixture, free from loose or segregated areas, of uniform density and moisture content, well bound for its full depth, and with a smooth surface suitable for placing subsequent courses. It shall be the responsibility of the Contractor to regulate the sequence of his/her work, to use the proper amount of fly ash, maintain the work, and rework the courses as necessary to meet the above requirements.

Prior to beginning any fly ash treatment the subgrade shall be constructed and brought to grade as specified in Item P-152 "Excavation and Embankment" and shall be shaped to conform to the typical sections, lines, and grades as shown on the plans. The material to be treated shall then be excavated to the secondary grade (proposed bottom of fly ash treatment) and removed or windrowed to expose the secondary grade. Any wet or unstable materials below the secondary grade shall be corrected, as directed by the Engineer, by scarifying, adding fly ash, and compacting until it is of uniform stability. The excavated material shall then be spread to the desired cross section.

If the Contractor elects to use a cutting and pulverizing machine that will remove the subgrade material accurately to the secondary grade and pulverize the material at the same time, he will not be required to expose the secondary grade nor windrow the material. However, the Contractor shall be required to roll the subgrade, as directed by the Engineer, and correct any soft areas that this rolling may reveal before using the pulverizing machine. This method will be permitted only where a machine is provided which will ensure that the material is cut uniformly to the proper

depth and which has cutters that will plane the secondary grade to a smooth surface over the entire width of the cut. The machine must give visible indication at all times that it is cutting to the proper depth.

158-6.2 APPLICATION. Fly ash shall be spread only on that area where the first mixing operations can be completed within 2 hours. The application and mixing of fly ash with the soil shall be accomplished by the methods hereinafter described as "Dry Placing."

a. Dry Placing. The fly ash shall be spread uniformly over the top of the subgrade by an approved screw-type spreader box or other approved spreading equipment. The amount of fly ash spread shall be the amount required for mixing to the specified depth which will result in the percentage determined in the job mix formula.

The fly ash shall be distributed in such manner that scattering by wind will be minimal. Fly ash shall not be applied when wind conditions, in the opinion of the Engineer, are detrimental to a proper application. A motor grader shall not be used to spread the fly ash.

158-6.3 MIXING. The mixing procedure shall be the same for Dry Placing as hereinafter described. The full depth of the treated subgrade shall be mixed with a rotary pulv mixer that utilizes a direct hydraulic drive. Fly ash shall not be left exposed for more than 30 minutes after distribution. The mixing machine shall make two coverages. Water shall be added through use of a pulv mixer equipped with a spray bar in the mixing drum capable of applying sufficient quantities of water to achieve the required moisture content of the soil-fly ash mixture. The system shall be capable of being regulated to the degree as to maintain moisture contents within the recommended range.

Required moisture contents shall be established by the Engineer based on laboratory tests with the site soils and specific fly ash to be used for the treatment. Final moisture content of the mix, immediately prior to compaction shall be determined in accordance with ASTM D 698 and shall not be below nor more than 2 percent above the optimum moisture content for maximum density of the mix. If moisture contents exceed the specified limits, additional fly ash may be added to lower the moisture content to the required limits. Lowering moisture contents by aeration following addition of the fly ash will not be permitted.

If the soil fly ash mixture contains clods greater than 1-1/2 inch in size, they shall be reduced in size by additional pulverization.

158-6.4 COMPACTION. Compaction of the soil-fly ash mixture shall begin immediately after mixing of the fly ash and be completed within two hours following incorporation of the fly ash. The field density of the compacted mixture shall be at least 95 percent of the maximum density of laboratory specimens prepared from samples taken from the material in place. The specimens shall be compacted and tested in accordance with ASTM D 698. The in-place density shall be determined in accordance with ASTM D 1556, ASTM D 2167 or ASTM D 2922.

All irregularities, depressions, or weak spots, which develop, shall be corrected immediately by scarifying the areas affected, adding or removing material as required, and reshaping and re-compacting. The surface of the course shall be maintained in a smooth condition, free from undulations and ruts, until other work is placed thereon or the work is accepted.

In addition to the requirements specified for density, the full depth of the material shown on the plans shall be compacted to the extent necessary to remain firm and stable under construction equipment. After each section is completed, tests will be made by the Engineer. If the material fails to meet the density requirements, it shall be reworked to meet these requirements. Throughout this entire operation, the shape of the course shall be maintained by blading, and the surface upon completion shall be smooth and shall conform with the typical section shown on the plans and to the established lines and grades. Should the material, due to any reason or cause, lose the required stability, density, and finish before the next course is placed or the work is accepted, it shall be recompacted and refinished at the sole expense of the Contractor.

If nuclear density machines are to be used for density determination, the machines shall be calibrated in accordance with ASTM D 2922. The nuclear equipment shall be calibrated using blocks of materials with densities that extend through a range representative of the density of the proposed fly ash treated subgrade material. (See appendix 1 for additional guidance).

158-6.5 FINISHING AND CURING. After the final layer or course of the fly ash treated subgrade has been compacted, it shall be brought to the required lines and grades in accordance with the typical sections. The finished surface shall not vary more than 3/8 inch (9mm) when tested with a 16-foot straightedge applied parallel with and at right angles to the pavement centerline. Any variations in excess of this tolerance shall be corrected by the Contractor, at his/her own expense, in a manner satisfactory to the Engineer.

After the fly ash treated course has been finished as specified herein, the surface shall be protected against rapid drying by either of the following methods for a period of not less than three days or until the pavement section is placed.

Maintain in a thorough and continuously moist condition by sprinkling.

Apply a 2-inch layer of earth of the completed course and maintain in a moist condition.

158-6.6 THICKNESS. The thickness of the fly ash treated subgrade shall be determined by depth tests or cores taken at intervals so that each test shall represent no more than 300 square yards (250 square meters). When the base deficiency is more than 1/2 inch (12 mm), the Contractor shall correct such areas in a manner satisfactory to the Engineer. The Contractor shall replace, at his/her expense, the base material where borings are taken for test purposes.

158-6.7 MAINTENANCE. The Contractor shall maintain, at his/her own expense, the entire fly ash treated subgrade in good condition from the start of work until all the work has been completed, cured, and accepted by the Engineer.

METHOD OF MEASUREMENT

158-7.1 The yardage of fly ash treated subgrade to be paid for shall be the number of square yards (square meters) completed and accepted.

158-7.2 The amount of fly ash to be paid for shall be the number of pounds (kg) of fly ash used as authorized.

BASIS OF PAYMENT

158-8.1 Payment shall be made at the contract unit price per square yard (square meter) for the fly ash treated subgrade of the thickness specified. The price shall be full compensation for furnishing all material, except the fly ash, and for all preparation, delivering, placing and mixing these materials, and all labor, equipment, tools and incidentals necessary to complete this item.

158-8.2 Payment shall be made at the contract unit price per pound (kg) of fly ash. This price shall be full compensation for furnishing this material; for all delivery, placing and incorporation of this material; and for all labor, equipment, tools, and incidentals necessary to complete this item.

Payment will be made under:

- Item P-158-8.1 Fly ash treated subgrade—per square yard (square meter)
- Item P-158-8.2 Fly ash—per pound (kg)

TESTING REQUIREMENTS

ASTM D 698	Moisture-Density Relations of Soils and Soil-Aggregate Mixtures Using 5.5 lb (2.49 kg) Rammer and 12-in. (305 mm) Drop
ASTM D 1556	Density of Soil in Place by the Sand-Cone Method
ASTM D 2167	Density and Unit Weight of Soil in Place by the Rubber-Ballon Method
AASHTO T 26	Quality of Water to be Used in Concrete

MATERIAL REQUIREMENTS

ASTM C 618	Coal Fly Ash and Raw or Calcined Natural Pozzolan for Use as a Mineral Admixture in Concrete
------------	--

END OF ITEM P-158

Intentionally Left Blank

PART III – FLEXIBLE BASE COURSES

ITEM P-208 AGGREGATE BASE COURSE

208-1.1 This item shall consist of a base course composed of [**crushed**] [**uncrushed**] coarse aggregate bonded with either soil or fine aggregate or both. It shall be constructed on a prepared underlying course in accordance with these specifications and shall conform to the dimensions and typical cross section shown on the plans.

MATERIALS

208-2.1 UNCRUSHED COARSE AGGREGATE. The base course material shall consist of hard, durable particles or fragments of stone or gravel mixed or blended with sand, stone dust, or other similar binding or filler materials produced from approved sources. All oversized stones, rocks and boulders occurring in the pit or quarry material shall be wasted; those of acceptable quality may be crushed and become a part of the base material, provided the blend meets the specified gradations. The aggregate shall be free from vegetation, lumps, or excessive amounts of clay and other objectionable substances. The coarse aggregate shall have a percent of wear not more than 45 at 500 revolutions as determined by ASTM C 131.

208-2.2 CRUSHED COARSE AGGREGATE. The aggregates shall consist of both fine and coarse fragments of crushed stone, crushed slag, or crushed gravel mixed or blended with sand, screenings, or other similar approved materials. The crushed stone shall consist of hard, durable particles or fragments of stone and shall be free from excess flat, elongated, soft or disintegrated pieces, dirt, or other objectionable matter.

The crushed slag shall be air-cooled, blast furnace slag and shall consist of angular fragments reasonably uniform in density and quality and shall be reasonably free from thin, elongated, or soft pieces, dirt, and other objectionable matter. It shall weigh not less than 70 pounds per cubic foot (1.12 Mg/cubic meter) as determined by ASTM C 29.

The crushed gravel shall consist of hard, durable stones, rock, and boulders crushed to specified size and shall be free from excess flat, elongated, soft or disintegrated pieces, dirt, or other objectionable matter. The method used in production of crushed gravel shall be such that the fractured particles occurring in the finished product shall be as nearly constant and uniform as practicable and shall result in a minimum of 60% of the material retained on the No. 4 sieve having at least 2 fractured faces and 75% having at least 1 fractured face.

If necessary to meet this requirement or to eliminate an excess of fine, uncrushed particles, the gravel shall be screened before crushing. All stones, rocks, and boulders of inferior quality in the pit shall be wasted.

The crushed coarse aggregate shall have a percent of wear not more than 50 at 500 revolutions as determined by ASTM C 131.

All material passing the No. 4 mesh (4.75 mm) sieve produced in the crushing operation of either stone, slag, or gravel shall be incorporated in the base material to the extent permitted by the gradation requirements.

208-2.3 GRADATION. The gradation of the uncrushed or crushed material shall meet the requirements of one of the gradations given in Table 1 when tested in accordance with ASTM C 117, ASTM C 136, and ASTM D 422.

Include testing frequencies for the particle size distribution.

TABLE 1. REQUIREMENTS FOR GRADATION OF AGGREGATE

Sieve Designation	Percentage by weight passing sieves		
	2" maximum	1 1/2" maximum	1" maximum
2 inch (50.0 mm)	100	--	--
1-1/2 inch (37.0 mm)	70-100	100	--
1 inch (25.0 mm)	55-85	70-100	100
3/4 inch (13.0 mm)	50-80	55-85	70-100
No. 4 (4.75 mm)	30-60	30-60	35-65
No. 40 (0.45 mm)	10-30	10-30	10-25
No. 200 (0.075 mm)	5-15	5-15	5-15

For frost areas, add requirements for the material finer than 0.02 mm to a maximum of 3% and the range for the 200 sieve to between 0 and 8%.

The gradations in the table represent the limits that shall determine suitability of aggregate for use from the sources of supply. The final gradations decided on within the limits designated in the table shall be well graded from coarse to fine and shall not vary from the low limit on one sieve to the high limit on the adjacent sieves, or vice versa.

The amount of the fraction of material passing the No. 200 mesh (0.075 mm) sieve shall not exceed one-half the fraction passing the No. 40 mesh (0.45 mm) sieve. The aggregate blend shall not contain more than 3% material finer than 0.02 mm unless all materials are produced from crushed stone.

The portion of the filler and binder, including any blended material, passing the No. 40 mesh (0.45 mm) sieve have a liquid limit not more than 25 and a plasticity index not more than 6 when tested in accordance with ASTM D 4318.

The selection of any of the gradations shown in the table shall be such that the maximum size aggregate used in any course shall be not more than two-thirds the thickness of the layer of the course being constructed.

208-2.4 FILLER FOR BLENDING. If filler, in addition to that naturally present in the base course material, is necessary for satisfactory bonding of the material, for changing the soil constants of the material passing the No. 40 mesh (0.45 mm) sieve, or for correcting the gradation to the limitations of the specified gradation, it shall be uniformly blended with the base course material at the crushing plant or at the mixing plant. The material for such purpose shall be obtained from sources approved by the Engineer and shall be of a gradation necessary to accomplish the specified gradation in the finally processed material.

The additional filler may be composed of sand, but the amount of sand shall not exceed 20% by weight of the total combined base aggregate. All the sand shall pass a No. 4 mesh (4.75 mm) sieve and not more than 5% by weight shall pass a No. 200 mesh (0.075 mm) sieve.

CONSTRUCTION METHODS

208-3.1 OPERATIONS IN PITS AND QUARRIES. All work involved in clearing and stripping pits and quarries, including handling of unsuitable material, shall be performed by the Contractor. All material shall be handled in a manner that shall secure a uniform and satisfactory base product. The base course material shall be obtained from sources that have been approved.

208-3.2 PREPARING UNDERLYING COURSE. The underlying course shall be checked and accepted by the Engineer before placing and spreading operations are started. Any ruts or soft, yielding places due to improper

drainage conditions, hauling, or any other cause, shall be corrected and rolled to the required density before the base course is placed thereon.

To protect the underlying course and to ensure proper drainage, the spreading of the base shall begin along the centerline of the pavement on a crowned section or on the high side of the pavement with a one-way slope.

208-3.3 METHODS OF PRODUCTION

a. Plant Mix. When provided in the proposal, or when selected by the Contractor and approved by the Engineer, the base material shall be uniformly blended or mixed in an approved plant. The mixing plant shall include bins for storage and batching of the aggregate, pump and tanks for water, and batch mixers of either the pugmill or drum type. All mineral aggregates shall be batched into the mixer by weight. The agitation shall be such that a thorough dispersion of moisture is obtained. The size of the batch and the time of mixing shall be fixed by the Engineer and shall produce the results and requirements specified. The base course material produced by combining two or more materials from different sources shall be mixed in a mixing plant described herein. The mixture material shall be at a satisfactory moisture content to obtain maximum density.

b. Travel Plant. When the use of a traveling plant is allowed, the plant shall blend and mix the materials to meet these specifications. It shall accomplish a thorough mixing in one trip. The agitation shall be such that the dispersion of the moisture is complete. The machine shall move at a uniform rate of speed and this speed shall be regulated to fix the mixing time. If a windrow-type of travel plant is employed for mixing, the aggregate shall be placed in windrows parallel to the pavement centerline.

The windrow volume shall be sufficient to cover exact areas as planned. The windrow contents shall produce a mixture of the required gradation and bonding qualities. If a travel plant is used which is of the type that mixes previously spread aggregates in-place, the material shall have been spread in such thickness and proportions as may be handled by the machine to develop a base course of the thickness of each layer and of the gradation required. With either type of equipment, the mixed material shall be at a satisfactory moisture content to obtain the maximum density.

c. Materials of Proper Gradation. When the entire base course material from coarse to fine is secured in a uniform and well-graded condition and contains approximately the proper moisture, such approved material may be handled directly to the spreading equipment. The material may be obtained from gravel pits, stockpiles, or produced from a crushing and screening plant with the proper blending. The materials from these sources shall meet the requirements for gradation, quality, and consistency. The intent of this section of these specifications is to secure materials that will not require further mixing. The base material shall be at a satisfactory moisture content to obtain maximum density. Any minor deficiency or excess of moisture may be corrected by surface sprinkling or by aeration. In such instances some mixing or manipulation may be required immediately preceding the rolling to obtain the required moisture content. The final operation shall be blading, if necessary, to obtain a smooth uniform surface true to line and grade.

208-3.4 PLACING.

a. The aggregate base material that is correctly proportioned, or has been processed in a plant, shall be placed on the prepared underlying course and compacted in layers of the thickness shown on the plans. The depositing and spreading of the material shall commence where designated and shall progress continuously without breaks. The material shall be deposited and spread in lanes in a uniform layer and without segregation of size to such loose depth that, when compacted, the layer shall have the required thickness. The base aggregate shall be spread by spreader boxes or other approved devices having positive thickness controls that shall spread the aggregate in the required amount to avoid or minimize the need for hand manipulation. Dumping from vehicles in piles that require rehandling shall not be permitted. Hauling over the uncompacted base course shall not be permitted.

b. The aggregate base material that has been processed in a traveling plant, or mixed and blended in-place, shall be spread in a uniform layer of required depth and width and to the typical cross section. The spreading shall be by a self-powered blade grader, mechanical spreader, or other approved method. In spreading, care shall be taken

to prevent cutting into the underlying layer. The material shall be bladed until a smooth, uniform surface is obtained, true to line and grade.

c. The base course shall be constructed in a layer not less than 3 inches (75 mm) nor more than 6 inches (150 mm) of compacted thickness. The aggregate as spread shall be of uniform grading with no pockets of fine or coarse materials. The aggregate, unless otherwise permitted by the Engineer, shall not be spread more than 2,000 square yards (1700 square meters) in advance of the rolling. Any necessary sprinkling shall be kept within these limits. No material shall be placed in snow or on a soft, muddy, or frozen course.

When more than one layer is required, the construction procedure described herein shall apply similarly to each layer.

During the mixing and spreading process, sufficient caution shall be exercised to prevent the incorporation of subgrade, subbase, or shoulder material in the base course mixture.

208-3.5 COMPACTION. Immediately upon completion of the spreading operations, the aggregate shall be thoroughly compacted. The number, type, and weight of rollers shall be sufficient to compact the material to the required density.

The moisture content of the material during placing operations shall not be below, nor more than 2 percentage points above, the optimum moisture content as determined by ASTM [].

If nuclear density machines are to be used for density determination, the machines shall be calibrated in accordance with ASTM D 2922. The nuclear equipment shall be calibrated using blocks of materials with densities that extend through a range representative of the density of the proposed base material. ASTM D 3017 may be used to determine the moisture content of the material. (See Section 120 of the General Provisions for additional guidance)

208-3.6 ACCEPTANCE SAMPLING AND TESTING FOR DENSITY. Aggregate base course shall be accepted for density on a lot basis. A lot will consist of one day's production where it is not expected to exceed 2400 square yards (2000 square meters). A lot will consist of one-half day's production where a day's production is expected to consist of between 2400 and 4800 square yards (2000 and 4000 square meters).

Each lot shall be divided into two equal sublots. One test shall be made for each subplot. Sampling locations will be determined by the Engineer on a random basis in accordance with statistical procedures contained in ASTM D 3665.

Each lot will be accepted for density when the field density is at least 100 percent of the maximum density of laboratory specimens prepared from samples of the material delivered to the jobsite. The specimens shall be compacted and tested in accordance with ASTM []. The in-place field density shall be determined in accordance with ASTM D 1556 or ASTM D 2167. If the specified density is not attained, the entire lot shall be reworked and/or recompacted and two additional random tests made. This procedure shall be followed until the specified density is reached.

The Engineer shall specify ASTM D 698 for areas designated for aircraft with gross weights of 60,000 pounds (27 200 kg) or less and ASTM D 1557 for areas designated for aircraft with gross weights greater than 60,000 pounds (27 200 kg).

If nuclear density machines are to be used for density determination, the machines shall be calibrated in accordance with ASTM D 2922. The nuclear equipment shall be calibrated

using blocks of materials with densities that extend through a range representative of the density of the proposed base material. ASTM 3017 may be used to determine the moisture content of the material. (See Section 120 of the General Provisions for additional guidance)

208-3.7 SURFACE TEST. After the course has been completely compacted, the surface shall be tested for smoothness and accuracy of grade and crown. Any portion lacking the required smoothness or failing in accuracy of grade or crown shall be scarified, reshaped, recompact, and otherwise manipulated as the Engineer may direct until the required smoothness and accuracy are obtained. The finished surface shall not vary more than 3/8 inch (9 mm) from a 16-foot (4.8 m) straightedge when applied to the surface parallel with, and at right angles to, the centerline.

208-3.8 THICKNESS. The thickness of the base course shall be determined by depth tests or cores taken at intervals in such manner that each test shall represent no more than 300 square yards (250 square meters). When the base deficiency is more than 1/2 inch (12 mm), the Contractor shall correct such areas by scarifying, adding satisfactory base mixture, rolling, sprinkling, reshaping, and finishing in accordance with these specifications. The Contractor shall replace, at his/her expense, the base material where borings have been taken for test purposes.

208-3.9 PROTECTION. Work on the base course shall not be accomplished during freezing temperatures nor when the subgrade is wet. When the aggregates contain frozen materials or when the underlying course is frozen, the construction shall be stopped.

Hauling equipment may be routed over completed portions of the base course, provided no damage results and provided that such equipment is routed over the full width of the base course to avoid rutting or uneven compaction. However, the Engineer in charge shall have full and specific authority to stop all hauling over completed or partially completed base course when, in his/her opinion, such hauling is causing damage. Any damage resulting to the base course from routing equipment over the base course shall be repaired by the Contractor at his/her own expense.

208-3.10 MAINTENANCE. Following the completion of the base course, the Contractor shall perform all maintenance work necessary to keep the base course in a condition satisfactory for priming. After priming, the surface shall be kept clean and free from foreign material. The base course shall be properly drained at all times. If cleaning is necessary, or if the prime coat becomes disturbed, any work or restitution necessary shall be performed at the expense of the Contractor.

Before preparations begin for the application of a surface treatment or for a surface course, the base course shall be allowed to partially dry until the average moisture content of the full depth of base is less than 80% of the optimum moisture of the base mixture. The drying shall not continue to the extent that the surface of the base becomes dusty with consequent loss of binder. If during the curing period the surface of the base dries too fast, it shall be kept moist by sprinkling until such time as the prime coat is applied as directed.

The Contractor shall remove all survey and grade hubs from the base courses prior to placing any bituminous surface course.

METHOD OF MEASUREMENT

208-4.1 The quantity of [uncrushed][crushed] aggregate base course to be paid for shall be the number of cubic yards (cubic meters) of base course material placed, bonded, and accepted in the completed base course. The quantity of base course material shall be measured in final position based upon depth test, or cores taken as directed by the Engineer, or at the rate of 1 depth test for each 300 square yards (250 square meters) of base course, or by means of average end areas on the complete work computed from elevations to the nearest 0.01 foot (3 mm). On individual depth measurements, thicknesses more than 1/2 inch (12 mm) in excess of that shown on the plans shall be considered as specified thickness plus 1/2 inch (12 mm) in computing the yardage for payment. Base materials shall not be included in any other excavation quantities.

BASIS OF PAYMENT

208-5.1 Payment shall be made at the contract unit price per cubic yard (cubic meter) for aggregate base course. This price shall be full compensation for furnishing all materials and for all operations, hauling, and placing of these materials, and for all labor, equipment, tools, and incidentals necessary to complete the item.

Payment will be made under:

Item P-208-5.1 [~~Uncrushed~~][Crushed] Aggregate Base Course—per cubic yard (cubic meter)

TESTING REQUIREMENTS

ASTM C 29	Unit Weight of Aggregate
ASTM C 117	Materials Finer than 75 μ m (No. 200) Sieve in Mineral Aggregates by Washing
ASTM C 131	Resistance to Abrasion of Small Size Coarse Aggregate by Use of the Los Angeles Machine
ASTM C 136	Sieve Analysis of Fine and Coarse Aggregates
ASTM D 422	Particle Size Analysis of Soils
ASTM D 698	Moisture-Density Relations of Soils and Soil-Aggregate Mixtures Using 5.5 lb (2.49 kg) Rammer and 12-in (305 mm) Drop
ASTM D 1556	Density of Soil in Place by the Sand-Cone Method
ASTM D 1557	Test for Laboratory Compaction Characteristics of Soil Using Modified Effort
ASTM D 2167	Density of Soil in Place by the Rubber-Ballon Method
ASTM D 3665	Random Sampling of Paving Materials
ASTM D 4318	Liquid Limit, Plastic Limit, and Plasticity Index of Soils

END OF ITEM P-208

ITEM P-209 CRUSHED AGGREGATE BASE COURSE

DESCRIPTION

209-1.1 This item consists of a base course composed of crushed aggregates constructed on a prepared course in accordance with these specifications and in conformity to the dimensions and typical cross sections shown on the plans.

MATERIALS

209-2.1 AGGREGATE. Aggregates shall consist of clean, sound, durable particles of crushed stone, crushed gravel, or crushed slag and shall be free from coatings of clay, silt, vegetable matter, and other objectionable materials and shall contain no clay balls. Fine aggregate passing the No. 4 (4.75 mm) sieve shall consist of fines from the operation of crushing the coarse aggregate. If necessary, fine aggregate may be added to produce the correct gradation. The fine aggregate shall be produced by crushing stone, gravel, or slag that meet the requirements for wear and soundness specified for coarse aggregate.

The crushed slag shall be an air-cooled, blast furnace slag and shall have a unit weight of not less than 70 pounds per cubic foot (1.12 Mg/cubic meter) when tested in accordance with ASTM C 29.

The coarse aggregate portion, defined as the material retained on the No. 4 (4.75 mm) sieve and larger, shall contain not more than 15 percent, by weight, of flat or elongated pieces as defined in ASTM D 693 and shall have at least 90 percent by weight of particles with at least two fractured faces and 100 percent with at least one fractured face. The area of each face shall be equal to at least 75 percent of the smallest midsectional area of the piece. When two fractured faces are contiguous, the angle between the planes of fractures shall be at least 30 to count as two fractured faces.

The percentage of wear shall not be greater than 45 percent when tested in accordance with ASTM C 131. The sodium sulfate soundness loss shall not exceed 12 percent, after 5 cycles, when tested in accordance with ASTM C 88.

The fraction passing the No. 40 (0.42 mm) sieve shall have a liquid limit no greater than 25 and a plasticity index of not more than 4 when tested in accordance with ASTM D 4318. The fine aggregate shall have a minimum sand equivalent value of 35 when tested in accordance with ASTM D 2419.

a. Sampling and Testing. Aggregates for preliminary testing shall be furnished by the Contractor prior to the start of production. All tests for initial aggregate submittals necessary to determine compliance with the specification requirements will be made by the Engineer at no expense to the Contractor.

Samples of aggregates shall be furnished by the Contractor at the start of production and at intervals during production. The sampling points and intervals will be designated by the Engineer. The samples will be the basis of approval of specific lots of aggregates from the standpoint of the quality requirements of this section.

In lieu of testing, the Engineer may accept certified state test results indicating that the aggregate meets specification requirements. Certified test results shall be less than 6 months old.

Samples of aggregates to check gradation shall be taken by the Engineer at least two per lot. The lot will be consistent with acceptable sampling for density. The samples shall be taken from the in-place, compacted material. Sampling shall be in accordance with ASTM D 75, and testing shall be in accordance with ASTM C 136 and ASTM C 117.

b. Gradation Requirements. The gradation (job mix) of the final mixture shall fall within the design range indicated in Table 1, when tested in accordance with ASTM C 117 and ASTM C 136. The final gradation shall be continuously well graded from coarse to fine and shall not vary from the low limit on one sieve to the high limit on an adjacent sieve or vice versa.

TABLE 1. REQUIREMENTS FOR GRADATION OF AGGREGATE \1

Sieve Size	Design Range Percentage by Weight Percentage by Weight	Job Mix Tolerances Percent
2 in (50.0 mm)	100	0
1-1/2 (37.0 mm)	95-100	+/- 5
1 in (25.0 mm)	70-95	+/- 8
3/4 in (19.0 mm)	55-85	+/- 8
No. 4 (4.75 mm)	30-60	+/- 8
No. 30 (0.60 mm)	12-30	+/- 5
No. 200 (0.075 mm)	0-8	+/- 3

\1\ Where environmental conditions (temperature and availability of free moisture) indicate potential damage due to frost action, the maximum percent of material, by weight, of particles smaller than 0.02 mm shall be 3 percent when tested in accordance with ASTM D 422. It also may be necessary to have a lower percentage of material passing the No. 200 sieve to help control the percentage of particles smaller than 0.02 mm maximum limit of 5 percent is recommended).

The job mix tolerances in Table 1 shall be applied to the job mix gradation to establish a job control grading band. The full tolerance still will apply if application of the tolerances results in a job control grading band outside the design range.

The fraction of the final mixture that passes the No. 200 (0.075 mm) sieve shall not exceed 60 percent of the fraction passing the No. 30 (0.60 mm) sieve.

CONSTRUCTION METHODS

209-3.1 PREPARING UNDERLYING COURSE. The underlying course shall be checked and accepted by the Engineer before placing and spreading operations are started. Any ruts or soft yielding places caused by improper drainage conditions, hauling, or any other cause shall be corrected at the Contractor's expense before the base course is placed thereon. Material shall not be placed on frozen subgrade.

209-3.2 MIXING. The aggregate shall be uniformly blended during crushing operations or mixed in a plant. The plant shall blend and mix the materials to meet the specifications and to secure the proper moisture content for compaction.

209-3.3 PLACING. The crushed aggregate base material shall be placed on the moistened subgrade in layers of uniform thickness with a mechanical spreader.

The maximum depth of a compacted layer shall be 6 inches (150 mm). If the total depth of the compacted material is more than 6 inches (150 mm), it shall be constructed in two or more layers. In multi-layer construction, the base course shall be placed in approximately equal-depth layers.

The previously constructed layer should be cleaned of loose and foreign material prior to placing the next layer. The surface of the compacted material shall be kept moist until covered with the next layer.

209-3.4 COMPACTION. Immediately upon completion of the spreading operations, the crushed aggregate shall be thoroughly compacted. The number, type, and weight of rollers shall be sufficient to compact the material to the required density.

The moisture content of the material during placing operations shall not be below, nor more than 2 percentage points above, the optimum moisture content as determined by ASTM [].

209-3.5 ACCEPTANCE SAMPLING AND TESTING FOR DENSITY. Aggregate base course shall be accepted for density on a lot basis. A lot will consist of one day's production where it is not expected to exceed

2400 square yards (2000 square meters). A lot will consist of one-half day's production where a day's production is expected to consist of between 2400 and 4800 square yards (2000 and 4000 square meters).

Each lot shall be divided into two equal sublots. One test shall be made for each subplot. Sampling locations will be determined by the Engineer on a random basis in accordance with statistical procedures contained in ASTM D 3665.

Each lot will be accepted for density when the field density is at least 100 percent of the maximum density of laboratory specimens prepared from samples of the base course material delivered to the job site. The specimens shall be compacted and tested in accordance with ASTM []. The in-place field density shall be determined in accordance with ASTM D 1556 or D 2167. If the specified density is not attained, the entire lot shall be reworked and/or recompact and two additional random tests made. This procedure shall be followed until the specified density is reached.

The Engineer shall specify ASTM D 698 for areas designated for aircraft with gross weights of 60,000 pounds (27 200 kg) or less and ASTM D 1557 for areas designated for aircraft with gross weights greater than 60,000 pounds (27 200 kg).

In lieu of the core method of field density determination, acceptance testing may be accomplished using a nuclear gage in accordance with ASTM D 2922 and ASTM D 3017. The gage should be field calibrated in accordance with paragraph 4 of ASTM D 2922. Calibration tests shall be conducted on the first lot of material placed that meets the density requirements.

Use of ASTM D 2922 results in a wet unit weight, and when using this method, ASTM D 3017 shall be used to determine the moisture content of the material. Calibration and Standardization shall be conducted in accordance with ASTM standards.

If a nuclear gage is used for density determination, two random readings shall be made for each subplot.

209-3.6 FINISHING. The surface of the aggregate base course shall be finished by blading or with automated equipment especially designed for this purpose.

In no case will the addition of thin layers of material be added to the top layer of base course to meet grade. If the elevation of the top layer is 1/2 inch (12 mm) or more below grade, the top layer of base shall be scarified to a depth of at least 3 inches (75 mm), new material added, and the layer shall be blended and recompact to bring it to grade. If the finished surface is above plan grade, it shall be cut back to grade and rerolled.

209-3.7 SURFACE TOLERANCES. The finished surface shall not vary more than 3/8 inch (9 mm) when tested with a 16-foot (4.8 m) straightedge applied parallel with or at right angles to the centerline. Any deviation in excess of this amount shall be corrected by the Contractor at the Contractor's expense.

209-3.8 THICKNESS CONTROL. The completed thickness of the base course shall be within 1/2 inch (12 mm) of the design thickness. Four determinations of thickness shall be made for each lot of material placed. The lot size shall be consistent with that specified in paragraph 3.5. Each lot shall be divided into four equal sublots. One test shall be made for each subplot. Sampling locations will be determined by the Engineer on a random basis in accordance with procedures contained in ASTM D 3665. Where the thickness is deficient by more than 1/2 inch (12 mm), the Contractor shall correct such areas at no additional cost by excavating to the required depth and replacing with new material. Additional test holes may be required to identify the limits of deficient areas.

209-3.9 MAINTENANCE. The base course shall be maintained in a condition that will meet all specification requirements until the work is accepted. Equipment used in the construction of an adjoining section may be routed over completed portions of the base course, provided no damage results and provided that the equipment is routed over the full width of the base course to avoid rutting or uneven compaction.

The Contractor shall remove all survey and grade hubs from the base courses prior to placing any bituminous surface course.

METHOD OF MEASUREMENT

209-4.1 The quantity of crushed aggregate base course to be paid for will be determined by measurement of the number of **[square yards (square meters)][cubic yards (cubic meters)]** of material actually constructed and accepted by the Engineer as complying with the plans and specifications. **[On individual depth measurements, thicknesses more than 1/2 inch (12 mm) in excess of the design thickness shall be considered as the specified thickness, plus 1/2 inch (12 mm) in computing the number of cubic yards (cubic meters) for payment.]**

BASIS OF PAYMENT

209-5.1 Payment shall be made at the contract unit price per **[square yard (square meter)][cubic yard (cubic meter)]** for crushed aggregate base course. This price shall be full compensation for furnishing all materials, for preparing and placing these materials, and for all labor, equipment tools, and incidentals necessary to complete the item.

Payment will be made under:

Item P-209-5.1 Crushed Aggregate Base Course—per **[square yard (square meter)][cubic yard (cubic meter)]**

TESTING REQUIREMENTS

ASTM C 29	Unit Weight of Aggregate
ASTM C 88	Soundness of Aggregates by Use of Sodium Sulfate or Magnesium Sulfate
ASTM C 117	Materials Finer than 75µm (No. 200) Sieve in Mineral Aggregates by Washing
ASTM C 131	Resistance to Degradation of Small-Size Coarse Aggregate by abrasion and impact in the Los Angeles Machine
ASTM C 136	Sieve Analysis of Fine and Coarse Aggregates
ASTM D 75	Sampling Aggregate
ASTM D 422	Particle Size Analysis of Soils
ASTM D 693	Crushed Aggregate for Macadam Pavements
ASTM D 698	Moisture-Density Relations of Soils and Soil-Aggregate Mixtures Using 5.5-lb (2.49-kg) Rammer and 12-in (305mm) Drop
ASTM D 1556	Density of Soil in Place by the Sand-Cone Method
ASTM D 1557	Test for Laboratory Compaction Characteristics of Soil Using Modified Effort
ASTM D 2167	Density and Unit Weight of Soil in Place by the Rubber Ballon Method
ASTM D 2419	Sand Equivalent Value of Soils and Fine Aggregate
ASTM D 2922	Density of Soil and Soil-Aggregate in Place by Nuclear Methods

ASTM D 3017 Water Content of Soil and Rock in Place by Nuclear Methods

ASTM D 3665 Random Sampling of Construction Materials

ASTM D 4318 Liquid Limit, Plastic Limit, and Plasticity Index of Soils

END OF P-209

Intentionally Left Blank

ITEM P-210 CALICHE BASE COURSE

DESCRIPTION

210-1.1 This item shall consist of a base course composed of caliche, caliche-gravel, caliche and limestone, or material of similar characteristics, constructed on the prepared underlying course in accordance with these specifications and in conformity to the dimensions and typical cross section shown on the plans.

MATERIALS

210-2.1 MATERIALS. The base course material shall consist of caliche, caliche-gravel, caliche limestone, or similar materials obtained from sources approved by the Engineer prior to use of the materials. All acceptable material shall be screened, and the oversize shall be crushed and returned to the screened material in such manner and proportions that will produce a uniform product.

The gradation of the material, as finally processed and blended, shall meet the following requirements when tested in accordance with ASTM C 136.

Sieve Designation (Square Openings)	Percentage by Weight Passing Sieves
2 inch (50.0 mm)	100
No. 40 (0.425 mm)	15-35
No. 200 (0.075 mm)	0-15

That portion of the material, including the blended filler, passing a No. 40 (0.425 mm) mesh sieve shall be known as soil binder and shall have a liquid limit of not more than 35 and a plasticity index of not more than 10 as determined as ASTM D 4318.

If necessary, the Contractor shall blend or combine materials so that the final processed material meets all of the requirements of these specifications. The Contractor shall make such modifications in materials and methods as are necessary to secure a material that is capable of being compacted into a dense and well-bonded base.

210-2.2 FILLER FOR BLENDING. If filler, in addition to that naturally present in the base course material, is necessary for satisfactory bonding of the material, for changing the soil constants of the material passing the No. 40 mesh sieve, or for correcting the gradation to the limitations of the specified gradation, it shall be uniformly blended with the base course material on the runway, at the crushing plant, or at the mixing plant. The material for such purpose shall be obtained from sources approved by the Engineer.

CONSTRUCTION METHODS

210-3.1 OPERATION IN PITS. All work involved in clearing and stripping pits, including the handling of unsuitable material, shall be performed by the Contractor at his/her own expense. The pits shall be operated in such a manner that a clean and uniform material will be secured. The base course material shall be obtained from approved sources.

210-3.2 EQUIPMENT. All equipment necessary for the proper construction of the work shall be on the project, in first-class working condition, and approved by the Engineer before construction is permitted to start.

210-3.3 PREPARING UNDERLYING COURSE. The underlying course shall be checked and accepted by the Engineer before placing and spreading operations are started. Any ruts or soft, yielding places caused by improper drainage conditions, hauling, or any other cause, shall be corrected at the Contractor's expense.

210-3.4 PLACING AND SPREADING

a. The aggregate base material that has proportioned or processed shall be placed on the prepared underlying course and compacted in layers to the thickness shown on the plans. The depositing and spreading of the material shall commence where designated and shall progress without breaks. The material shall be deposited and spread in lanes in a uniform layer and without segregation of size to such loose depth that, when compacted, the layer shall have the required thickness. The base aggregate shall be spread by spreader boxes or other approved devices that shall spread the aggregate in the required amount. The base material shall be spread and shaped the same day as placed.

b. If the travel plant method is used for mixing, the base material shall be placed on the underlying course in windrows parallel to the centerline of the runway. Sufficient quantity and proportions of materials shall be placed in the windrow to provide a base mixture conforming to the specified grading and compacted thickness. The windrow shall be shaped to a uniform section and left undisturbed until measuring and sampling are complete. After mixing and before spreading, the mixture shall be examined by the Engineer, who shall determine whether the mixing is complete and satisfactory and whether the proper moisture content is maintained for spreading. No spreading shall be done, except when authorized.

After the mixing has been completed, the base material shall be spread to the required depth and width by a self-powered blade grader, mechanical spreader, or other approved method. In spreading, care shall be taken to prevent cutting into the underlying layer. The material shall be bladed, disced, and dragged if necessary until a smooth, uniform surface is obtained true to line, grade, and cross section.

c. When the base materials are to be proportioned and mixed or blended in-place, the different layers shall be spread and placed as follows with the relative proportions of the components of the mixture designated by the Engineer.

The base aggregate shall be deposited and spread evenly to a uniform thickness and width. Then the binder or filler or other admixture shall be deposited and spread evenly over the first layer. As many layers of materials as the Engineer may direct shall be added to obtain the required base materials.

When the required materials have been placed, they shall be thoroughly mixed and blended by means of approved graders, discs, harrows, or rotary-tillers, supplemented by other suitable equipment, if necessary. The mixing shall continue until the mixture is uniform throughout. Areas of segregated material shall be corrected by the addition of binder or filler material and shall be uniformly applied, prior to and during the mixing operations if necessary, to maintain the material at the proper moisture content. When the mixing and blending have been completed, the material shall be spread in a uniform layer which, when compacted, will meet the requirements of thickness and typical cross section. Hauling over material that has not been mixed and shaped shall not be permitted, except when necessitated by the placing of successive layers of materials. Layers of base material allowed to become partially compacted shall be scarified and disced before placing binder material or before blading and shaping for rolling.

d. The base course shall be constructed in a layer not less than 3 inches (75 mm) nor more than 6 inches (150 mm) of compacted thickness. The aggregate, as spread, shall be of uniform grading with no pockets of fine or coarse materials. Unless otherwise permitted by the Engineer, the aggregate shall not be spread more than 2,000 square yards (1700 square meters) in advance of the rolling. Any necessary sprinkling shall be kept within these limits. No material shall be placed in snow or on a soft, muddy, or frozen course.

When more than one layer is required, the construction procedure described herein shall apply similarly to each layer.

During the placing and spreading, sufficient caution shall be exercised to prevent the incorporation of subgrade, subbase, or shoulder material in the base course mixture.

210-3.5 COMPACTION. Immediately after completion of the spreading operations, the mixture shall be thoroughly compacted. The number, type, and weight of rollers shall be sufficient to compact the mixture to the required density.

The field density of the compacted material shall be at least 100 percent of the maximum density of laboratory specimens prepared from samples of the material delivered to the jobsite. The laboratory specimens shall be compacted and tested in accordance with []. The in-place field density shall be determined in accordance with ASTM D 1556 or ASTM D 2167. The moisture content of the material at the start of compaction shall not be below nor more than 1-1/2 percentage points above the optimum moisture content.

The Engineer shall specify ASTM D 698 for areas designated for aircraft with gross weights of 60,000 pounds (27 200 kg) or less and ASTM D 1557 for areas designated for aircraft with gross weights greater than 60,000 pounds (27 200 kg).

If nuclear density machines are to be used for density determination, the machines shall be calibrated in accordance with ASTM D 2922. The nuclear equipment shall be calibrated using blocks of materials with densities that extend through a range representative of the density of the proposed base material. ASTM 3017 may be used to determine the moisture content of the material. (See Section 120 of the General Provisions for additional guidance)

The course shall not be rolled when the underlying course is soft or yielding or when the rolling causes undulation in the base course. When the rolling develops irregularities that exceed 3/8 inch (9 mm) when tested with a 16-foot (4.8 m) straightedge, the irregular surface shall be loosened, then refilled with the same kind of material as that used in constructing the course, and again rolled as required above.

210-3.6 FINISHING. The surface of the base course shall be finished by blading or with automated equipment especially designed for this purpose.

In no case will the addition of thin layers of material be added to the top layer of base course to meet grade. If the elevation of the top layer is 1/2 inch (12 mm) or more below grade, the top layer of base shall be scarified to a depth of at least 3 inches (75 mm), new material added, and the layer shall be blended and recompacted to bring it to grade. If the finished surface is above plan grade, it shall be cut back to grade and rerolled.

210-3.7 SURFACE TOLERANCE. After the course has been completely compacted, the surface shall be tested for smoothness and accuracy of grade and crown. Any portion lacking the required smoothness or failing in accuracy of grade or crown shall be scarified, reshaped, recompacted, and otherwise manipulated as the Engineer may direct until the required smoothness and accuracy are obtained. The finished surface shall not vary more than 3/8 inch (9 mm) from a 16-foot (4.8 m) straightedge when applied to the surface parallel with, and at right angles to, the centerline.

210-3.8 THICKNESS CONTROL. The thickness of the base course shall be determined by depth tests or cores taken at intervals in such manner that each test shall represent no more than 300 square yards (250 square meters). Where the thickness is deficient by more than 1/2 inch (12 mm), the Contractor shall correct such areas at no additional cost by excavating to the required depth and replacing with new material. Additional test holes may be required to identify the limits of deficient areas. The Contractor shall replace, at his/her expense, the base material where borings have been taken for test purposes.

210-3.9 PROTECTION. Work on the base course shall not be accomplished during freezing temperatures nor when the subgrade is wet. When the aggregates contain frozen materials or when the underlying course is frozen, the construction shall be stopped.

Hauling equipment may be routed over completed portions of the base course, provided no damage results and provided that such equipment is routed over the full width of the base course to avoid rutting or uneven compaction. However, the Engineer in charge shall have full and specific authority to stop all hauling over completed or partially completed base course when, in his/her opinion, such hauling is causing damage. Any damage resulting to the base course from routing equipment over the base course shall be repaired by the Contractor at his/her own expense.

210-3.10 MAINTENANCE. Following the completion of the base course, the Contractor shall perform all maintenance work necessary to keep the base course in a condition satisfactory for priming. After priming, the surface shall be kept clean and free from foreign material. The base course shall be properly drained at all times. If cleaning is necessary, or if the prime coat becomes disturbed, any work or restitution necessary shall be performed at the expense of the Contractor.

METHOD OF MEASUREMENT

210-4.1 The quantity of caliche base course to be paid for shall be the number of cubic yards (cubic meters) of base course material placed, bonded, and accepted in the completed base course. The quantity of base course material shall be measured in final position, based upon depth tests or cores taken as directed by the Engineer, at the rate of 1 depth test for each 300 square yards (250 square meters) of base course, or by means of average end areas on the complete work computed from elevations to the nearest 0.01 foot (3 mm). On individual depth measurements, thickness more than 1/2 inch (12 mm) in excess of that shown on the plans shall be considered as specified thickness, plus 1/2 inch (12 mm) in computing the yardage for payment. Base material shall not be included in any other excavation quantities.

BASIS OF PAYMENT

210-5.1 Payment shall be made at the contract unit price per cubic yard (cubic meter) for caliche base course. This price shall be full compensation for furnishing all materials and for all preparation, hauling, and placing of these materials, and for all labor, equipment, tools, and incidentals necessary to complete the item.

Payment will be made under:

Item P-210-5.1 Caliche Base Course—per cubic yard (cubic meter)

TESTING REQUIREMENTS

ASTM C 136 Sieve Analysis of Fine and Coarse Aggregates

ASTM D 698 Moisture-Density Relations of Soils and Soil-Aggregate Mixtures Using 5.5 lb (2.49 kg) Rammer and 12-in. (305 mm) Drop

ASTM D 1557 Test for Laboratory Compaction Characteristics of Soil Using Modified Effort

ASTM D 4318 Liquid Limit, Plastic Limit, and Plasticity Index of Soils

END OF ITEM P-210

ITEM P-211 LIME ROCK BASE COURSE

DESCRIPTION

211-1.1 This item shall consist of a base course composed of lime rock constructed on the prepared underlying course in accordance with these specifications and shall conform to the dimensions and typical cross section shown on the plans.

MATERIALS

211-2.1 MATERIALS. The lime rock base course material shall consist of fossiliferous limestone of uniform quality, and shall not contain hard or flinty pieces that will cause a rough surface containing pits and pockets. The rock shall show no tendency to "air slake" or undergo chemical change when exposed to the weather. The material when watered and rolled shall be capable of being compacted into a dense and well-bonded base.

The oolitic type of lime rock shall meet the following requirements:

Carbonates of calcium and magnesium - not less than 70%.

Oxides of iron and aluminum - not more than 2%.

The combined amount of carbonates, oxides, and silica shall be at least 97%. The material shall be non-plastic.

All other types of lime rock shall contain not less than 95% of carbonates of calcium and magnesium. Liquid limit shall not exceed 35, plasticity index shall not exceed 6, as determined in accordance with ASTM D 4318.

The chemical analysis of lime rock shall consist of determining the insoluble silica, iron oxide, and alumina by solution of the sample in hydrochloric (HCl) acid, evaporating, dehydrating, redissolving the residue, and neutralizing with ammonium hydroxide, filtering, washing, and igniting the residue lime rock. The difference between the percentage of insoluble matter and 100% is reported as carbonates of calcium and magnesium.

The lime rock shall not contain more than 0.5% of roots, leaf mold, organic, or foreign matter and shall be obtained from pits from which all overburden has been removed previous to blasting and quarrying.

The gradation of the lime rock shall meet the following requirements:

Sieve Designation (square openings)	Percentage by Weight Passing Sieves
3-1/2 inch (90 mm)	100
3/4 inch (19.0 mm)	50-100

All fine material shall consist entirely of dust of fracture.

CONSTRUCTION METHODS

211-3.1 SOURCES OF SUPPLY. All work involved in cleaning and stripping pits, including the handling of unsuitable material shall be performed by the Contractor at his/her own expense. The lime rock shall be obtained from approved sources. The pits shall be operated in such a manner that a clean and uniform material will be secured.

211-3.2 EQUIPMENT. All equipment necessary for the proper construction of this work shall be on the project, in first-class working condition, and approved by the Engineer before construction is permitted to start.

211-3.3 PREPARING UNDERLYING COURSE. The underlying course shall be checked and accepted by the Engineer before placing and spreading operations are started. Any ruts or soft yielding places caused by improper

drainage conditions, hauling, or any other cause shall be corrected at the Contractor's expense before the base course is placed thereon. Material shall not be placed on frozen subgrade.

211-3.4 PLACING AND SPREADING. All base course material shall be placed on the prepared underlying course and compacted in layers to the thickness shown on the plans. The depositing and spreading of the material on the prepared course or on a completed layer shall commence where designated and shall progress without breaks. The material shall be deposited and spread in lanes in a uniform layer and without segregation of size to such loose depth that, when compacted, the layer shall have the required thickness. When more than one layer is required, the construction procedure described herein shall apply similarly to each layer, excepting the scarifying and rerolling of the surface which shall apply to only the top layer.

The rock shall be transported to locations where it is to be used over rock previously placed and dumped at the end of the preceding spread. It shall then be spread uniformly with shovels, forks, or approved mechanical spreaders especially constructed for this purpose. In no case shall rock be dumped directly onto the underlying course. Transporting over the underlying course will not be permitted, except as directed, in which case it must be protected by planking if rutting occurs. During the dumping and spreading operations, the rock shall be brought to the proper moisture content to obtain maximum density. If water is added, it shall be uniformly mixed to the full depth of the course by discing. All segregated areas of fine or coarse rock shall be removed and replaced with well-graded rock, and approved by the Engineer. Lime rock shall not be spread when the subgrade is in an unsuitable condition.

The lime rock base course shall be constructed in a layer not less than 4 inches (100 mm) nor more than 6 inches (150 mm) of compacted thickness. The base course shall be constructed in lanes or strips parallel with the centerline of the paved area.

During the placing operation, sufficient caution shall be exercised to prevent the incorporation of subgrade, subbase, or shoulder material in the lime rock.

211-3.5 ROLLING. Immediately after completion of the spreading operations, the base material shall be thoroughly compacted. The number, type, and weight of rollers shall be sufficient to compact the mixture to the required density.

The field density of the compacted material shall be at least 100 percent of the maximum density of laboratory specimens prepared from samples of the base material delivered to the jobsite. The laboratory specimens shall be compacted and tested in accordance with []. The in-place field density shall be determined in accordance with ASTM D 1556. The moisture content of the material at the start of compaction shall not be below nor more than 1-1/2 percentage points above the optimum moisture content.

The Engineer shall specify ASTM D 698 for areas designated for aircraft with gross weights of 60,000 pounds (27 200 kg) or less and ASTM D 1557 for areas designated for aircraft with gross weights greater than 60,000 pounds (27 200 kg).

211-3.6 FINISHING BASE COURSE. After the watering and rolling of the base course, the entire surface shall be scarified to a depth of at least 3 inches (75 mm) and shaped to the exact crown and cross section with a blade grader. The scarified material shall be rewatered and thoroughly rolled. Rolling shall continue until the base is bonded and compacted into a dense, unyielding mass, true to grade and cross section. The scarifying and rolling of the surface of the base shall follow the initial rolling of the lime rock by not more than 4 days. When the lime rock base is constructed in two layers, the scarifying of the surface shall be to a depth of 2 inches (50 mm).

If, in the opinion of the Engineer, the surface of the base is glazed or cemented to the extent that the prime coat could not penetrate properly, and after determining that the condition of the base meets all requirements, he will direct that the surface of the base be hard-planed with a blade grader and broomed immediately prior to the application of the prime coat. This hard-planing shall be done in such a manner that only the glazed or cemented

surface is removed, leaving a granular or porous condition that will allow free penetration of the prime material. The material planed from the base shall be removed from the base area.

If at any time the underlying material becomes churned up and mixed with the base course material, the Contractor shall, without additional compensation, dig out and remove the mixture, reshape and compact the underlying course, and replace the materials removed with clean rock which shall be watered and rolled until satisfactorily compacted.

Where cracks, checks, or failures appear in the base, either before or after priming and before the surface course is laid, the Contractor shall remove such cracks, checks, or failures by rescarifying, reshaping, watering, rolling, and adding lime rock where necessary.

211-3.7 SURFACE TOLERANCE. After the course has been completely compacted, the surface shall be tested for smoothness and accuracy of grade and crown. Any portion lacking the required smoothness or failing in accuracy of grade or crown shall be scarified, reshaped, recompact, and otherwise manipulated as the Engineer may direct until the required smoothness and accuracy are obtained. The finished surface shall not vary more than 3/8 inch (9 mm) from a 16-foot (4.8 mm) straightedge when applied to the surface parallel with, and at right angles to, the centerline. In testing surface of the harder lime rocks, measurement of clearances from the straightedge shall not include small holes caused by individual pieces being pulled out by the grader.

211-3.8 THICKNESS. The thickness of the base course shall be determined by depth tests or elevations taken at intervals in such a manner that each test shall represent 300 square yards (250 square meters), or it shall be as otherwise directed by the Engineer. The depth tests shall be made by test holes through the base at least 3 inches (75 mm) in diameter. Where the base deficiency is more than 1/2 inch (12 mm), the Contractor shall correct such areas by scarifying and adding rock. The base shall be scarified, rock added, and tapered a distance of 100 feet (30 m) in each direction from the edge of the deficient area for each inch of rock added. The affected area shall then be watered, bladed, rolled, and brought to a satisfactory state of compaction, required thickness, and cross section. The thickness of the base in the affected area shall be remeasured by depth tests or elevations. The operations of scarifying, adding rock, and rerolling shall continue until the base thickness is within the 1/2-inch (12 mm) tolerance of base thickness. The final base thickness of the reconditioned area shall be used to determine the average job thickness.

The average job thickness shall be the average of the depth measurement as above outlined and shall be within 1/4 inch (6 mm) of the thickness shown on the typical cross section. On individual depth measurements, thicknesses more than 1/2 inch (12 mm) in excess of that shown on the plans shall be considered as specified thickness plus 1/2 inch (12 mm) in computing the average job thickness. The Contractor shall replace, at his/her expense, the lime rock removed from test holes.

211-3.9 PROTECTION. Work on the base course shall not be accomplished during freezing temperatures nor when the subgrade is wet. When the aggregate contains frozen materials or the underlying course is frozen, the construction shall be stopped.

Hauling equipment may be routed over completed portions of the base course, provided no damage results and provided that such equipment is routed over the full width of the base course to avoid rutting or uneven compaction. However, the Engineer in charge shall have full and specific authority to stop all hauling over completed or partially completed base course when, in his/her opinion, such hauling is causing damage. Any damage resulting to the base course from routing equipment over the base course shall be repaired by the Contractor at his/her own expense.

211-3.10 MAINTENANCE. Following the completion of the base course, the Contractor shall perform all maintenance work necessary to keep the base course in a condition satisfactory for priming. After priming, the surface shall be kept clean and free from foreign material. The base course shall be properly drained at all times. If cleaning is necessary, or if the prime coat becomes disturbed, any work or restitution necessary shall be performed at the expense of the Contractor.

METHOD OF MEASUREMENT

211-4.1 The quantity of lime rock base course to be paid for shall be the number of cubic yards (cubic meters) of base material placed, bonded, and accepted in the completed base course. The quantity of base course material shall be measured in final position, based upon depth tests taken as directed by the Engineer, at the rate of 1 depth test for each 300 square yards (250 square meters) of base course, or by means of average end areas on the complete work computed from elevations to the nearest 0.01 foot (3 mm). On individual depth measurements, thicknesses more than 1/2 inch (12 mm) in excess of that shown on the plans shall be considered as the specified thickness plus 1/2 inch (12 mm) in computing the yardage for payment.

BASIS OF PAYMENT

211-5.1 Payment shall be made at the contract unit price per cubic yard (cubic meter) for lime rock base course. This price shall be full compensation for furnishing all materials and for all preparation, hauling, and placing of these materials, and for all labor, equipment, tools, and incidentals necessary to complete the item.

The cost of removing cracks and checks including the labor and material for repriming, and the additional lime rock necessary for crack elimination, will not be paid for separately but shall be included in the contract price per cubic yard (cubic meter) for lime rock base course.

Payment will be made under:

Item P-211-5.1 Lime rock base course per cubic yard (cubic meter)

TESTING REQUIREMENTS

ASTM C 136 Sieve Analysis of Fine and Coarse Aggregates

ASTM D 698 Moisture-Density Relations of Soils and Soil Aggregate Mixtures Using 5.5-lb (2.49-kg) Rammer and 12-in (305 mm) Drop

ASTM D 1556 Density of Soil in Place by the Sand-Cone Method

ASTM D 1557 Test for Laboratory Compaction Characteristics of Soil Using Modified Effort

ASTM D 4318 Liquid Limit, Plastic Limit, and Plasticity Index of Soils

END OF ITEM P-211

ITEM P-212 SHELL BASE COURSE

DESCRIPTION

212-1.1 This item shall consist of a base course composed of shell and binder constructed on a prepared underlying course in accordance with these specifications and shall conform to the dimensions and typical cross section shown on the plans.

MATERIALS

212-2.1 MATERIALS. The shell shall consist of durable particles of "dead" oyster or clam shell. The base material shall consist of oyster shell, together with an approved binding or filler material, blended or processed to produce a uniform mixture complying with the specifications for gradation, soil constants, and compaction capability. Clam shell may be used only in combination with oyster shell in the proportion up to and including 50%.

The shell shall be reasonably clean and free from excess amounts of clay or organic matter such as leaves, grass, roots, and other objectionable and foreign material.

The gradation of the blended or processed material shall meet the requirements of the gradation given in the following table, when tested in accordance with ASTM C 136.

Sieve Designation (square openings)	Percentage by Weight Passing Sieves
3 inch (75.0 mm)	100
3/4 inch (19.0 mm)	60-90
No. 4 (4.75 mm)	15-55
No. 200 (0.075 mm)	0-15

That portion of the material, including the blended filler, passing a No. 40 (0.42 mm) mesh sieve shall be known as soil binder and shall have a liquid limit of not more than 25 and a plasticity index of not more than 8 as determined by ASTM D 4318.

If necessary, the Contractor shall blend or combine materials so that the final processed material meets all the specifications. The Contractor shall make such modifications in materials and methods as are necessary to secure a material that is capable of being compacted into a dense and well-bonded base without an excess of soil binder.

212-2.2 FILLER FOR BLENDING. If filler, in addition to that naturally present in the base course material, is necessary for satisfactory bonding of the material, or for changing the soil constants of the material passing the No. 40 (0.42 mm) mesh sieve, or for correcting the gradation to the limitations of the specified gradation, it shall be uniformly blended with the base course material on the pavement or at the plant. The material for such purpose shall be obtained from sources approved by the Engineer and shall be of a gradation necessary to accomplish the specified gradation in the final processed material.

CONSTRUCTION METHODS

212-3.1 SOURCES OF SUPPLY. The Contractor shall notify the Engineer, sufficiently in advance, of the intended source of supply of shell. The shell shall be obtained from approved sources. The material in the stockpile shall be handled in a manner that will secure a uniform and satisfactory product.

212-3.2 EQUIPMENT. All equipment necessary for the proper construction of this work shall be on the project, in first-class working condition, and approved by the Engineer before construction is permitted to start.

The processing plant shall be designed, constructed, operated, and capable of thoroughly mixing the shell, binder, and water in the directed proportions to produce base material of the gradation and consistency required.

212-3.3 PREPARING UNDERLYING COURSE. The underlying course shall be checked and accepted by the Engineer before placing and spreading operations are started. Any ruts or soft yielding places caused by improper drainage conditions, hauling, or any other cause shall be corrected at the Contractor's expense before the base course is placed thereon. Material shall not be placed on frozen subgrade or subbase.

212-3.4 PLANT MIXING. The base material shall be uniformly blended and mixed in an approved central or travel mixing plant. The shell, together with any blended material, shall be thoroughly mixed with the required amount of water. After the mixing is complete, the material shall be transported to, or spread on, the underlying course without undue loss of the moisture content.

212-3.5 PLACING AND SPREADING. The base course material that is correctly proportioned or that has been processed in a central plant shall be placed on the prepared underlying course and compacted in the thickness shown on the plans. The depositing and spreading of the material shall commence where designated and shall progress without breaks. The materials shall be deposited and spread in lanes in a uniform layer and without segregation of size to such loose depth that, when compacted, the layer shall have the required thickness. The material shall be spread by spreader boxes or other approved devices that shall distribute the material in a uniform layer. Dumping from vehicles in piles requiring rehandling will not be permitted. Hauling over the uncompacted base course shall not be permitted.

212-3.6 TRAVEL PLANT MIX. When the use of a travel plant is approved, sufficient quantities and proportions of all material necessary shall be used to provide a base mixture that conforms to the specified gradation, quality, and thickness. If a windrow travel plant is employed for mixing, the aggregate shall be placed in windrows parallel to the pavement centerline. If a traveling plant is used which mixes previously spread aggregates in-place, the material shall be spread to a thickness that may be readily handled by the machine and that will develop the proper thickness for each layer. The base material shall be of satisfactory moisture content to obtain maximum density.

After the mixing has been completed, the base material shall be spread to the required depth and width by a self-powered blade grader, mechanical spreader, or other approved method. In spreading, care shall be taken to prevent cutting into the underlying layer. The material shall be bladed, disced, and dragged if necessary until a smooth, uniform surface is obtained true to line, grade, and cross section and in condition for compacting.

212-3.7 MIXED IN-PLACE. When specified or permitted, the base materials may be proportioned and mixed or blended in-place on the underlying course. The different layers shall be spread and placed in the following manner with the relative proportions of the components of the mixture designated by the Engineer.

The base aggregate shall be deposited and spread evenly on the subgrade to a uniform thickness and width. Then the binder or filler shall be deposited and spread evenly over the first layer. There shall be as many layers of materials added as the Engineer may direct to obtain the required base mixture.

After the required materials have been placed, they shall be thoroughly mixed and blended using approved graders, discs, harrows, or rotary-tillers, supplemented by other suitable equipment if necessary. The mixing shall continue until the mixture is uniform throughout. Areas of segregated material shall be corrected by the addition of binder or filler material and then thoroughly remixed. If necessary, water in the required amount shall be uniformly applied as directed by the Engineer prior to and during the mixing operations to maintain the material at the proper moisture content. When the mixing and blending has been completed, the material shall be spread in a uniform layer which, when compacted, will meet the requirements for thickness and typical cross section.

212-3.8 GENERAL METHODS FOR PLACING. The base course shall be constructed in layers not less than 4 inches (100 mm) nor more than 6 inches (150 mm) of compacted thickness. The aggregate, as spread, shall be of uniform gradation with no pockets of fine or coarse materials. Unless otherwise permitted by the Engineer, the aggregate shall not be spread more than 2,000 square yards (186 square meters) in advance of the rolling. Any necessary sprinkling shall be kept within this limit. No material shall be placed in snow or on a soft, muddy, or frozen course.

When more than one layer is required, the construction procedure described herein shall apply similarly to each layer.

The Engineer shall conduct tests to determine the maximum density and the proper moisture content of the base material, and this information will be available to the Contractor. The base material shall be brought to a satisfactory moisture content when rolling is started and any minor variations prior to or during rolling shall be corrected by sprinkling or aeration.

During placing and spreading operations, sufficient caution shall be exercised to prevent the incorporation of subgrade, subbase, or shoulder material into the base course mixture.

212-3.9 COMPACTION. Immediately after completion of the spreading operations, the base course shall be thoroughly compacted. The number, type, and weight of rollers shall be sufficient to compact the mixture to the required density.

The field density of the compacted material shall be at least 100 percent of the maximum density of laboratory specimens prepared from samples of the base material delivered to the jobsite. The laboratory specimens shall be compacted and tested in accordance with []. The in-place field density shall be determined in accordance with ASTM D 1556. The moisture content of the material at the start of compaction shall not be below nor more than 1-1/2 percentage points above the optimum moisture content.

The Engineer shall specify ASTM D 698 for areas designated for aircraft with gross weights of 60,000 pounds (27 200 kg) or less and ASTM D 1557 for areas designated for aircraft with gross weights greater than 60,000 pounds (27 200 kg).

212-3.10 SURFACE TOLERANCE. After the course has been completely compacted, the surface shall be tested for smoothness and accuracy of grade and crown. Any portion lacking the required smoothness of failing in accuracy of grade or crown shall be scarified, reshaped, recompact, and otherwise manipulated as the Engineer may direct until the required smoothness and accuracy are obtained. The finished surface shall not vary more than 3/8 inch (9 mm) from a 16-foot (4.8 m) straightedge when applied to the surface parallel with, and at right angles to, the centerline.

212-3.11 THICKNESS. The thickness of the base course shall be determined by depth tests or cores taken at intervals in such manner that each test shall represent no more than 300 square yards (28 square meters). When the base deficiency is more than 1/2 inch (12 mm), the Contractor shall correct such areas by scarifying, and replacing with satisfactory materials, and then rolling, bonding, and refinishing in accordance with these specifications. The Contractor shall replace, at his/her expense, the base material where borings have been taken for test purposes.

212-3.12 PROTECTION. Work on the base course shall not be accomplished during freezing temperatures nor when the subgrade is wet. When the aggregates contain frozen materials or when the underlying course is frozen, the construction shall be stopped.

Hauling equipment may be routed over completed portions of the base course, provided no damage results and provided that such equipment is routed over the full width of the base course, to avoid rutting or uneven compaction. However, the Engineer in charge shall have full and specific authority to stop all hauling over completed or partially completed base course when, in his/her opinion, such hauling is causing damage. Any damage resulting to the base course from routing equipment over the base course shall be repaired by the Contractor at his/her own expense.

212-3.13 MAINTENANCE. Following the completion of the base course, the Contractor shall perform all maintenance work necessary to keep the base course in a condition satisfactory for priming. After priming, the surface shall be kept clean and free from foreign material. The base course shall be properly drained at all times. If cleaning is necessary or if the prime coat becomes disturbed, any work or restitution necessary shall be performed at the expense of the Contractor.

METHOD OF MEASUREMENT

212-4.1 The quantity of shell base course to be paid for shall be the number of cubic yards (cubic meters) of base course material placed, bonded, and accepted in the completed base course. The quantity of base course material shall be measured in final position based upon depth tests or cores taken as directed by the Engineer, at the rate of 1 depth test for each 300 square yards (28 square meters) of base course, or by means of average end areas on the complete work computed from elevations to the nearest 0.01 foot (3 mm). On individual depth measurements, thicknesses more than 1/2 inch (12 mm) in excess of that shown on the plans shall be considered as specified thickness, plus 1/2 inch (12 mm) in computing the yardage for payment. Base materials shall not be included in any other excavation quantities.

BASIS OF PAYMENT

212-5.1 Payment shall be made at the contract unit price per cubic yard (cubic meter) for shell base course. This price shall be full compensation for furnishing all materials and for all preparation, hauling, and placing of these materials, and for all labor, equipment, tools, and incidentals necessary to complete the item.

Payment will be made under:

Item P-212-5.1 Shell Base Course—per cubic yard (cubic meter)

TESTING REQUIREMENTS

ASTM C 136 Sieve Analysis of Fine and Coarse Aggregates

ASTM D 698 Moisture-Content Relations of Soils and Soil Aggregate Mixtures Using 5.5-lb (2.49-kg) Rammer and 12-in (305 mm) Drop

ASTM D 1556 Density of Soil in Place by the Sand-Cone Method

ASTM D 1557 Test for Laboratory Compaction Characteristics of Soil Using Modified Effort

ASTM D 4318 Liquid Limit, Plastic Limit, and Plasticity Index of Soils

END OF ITEM P-212

ITEM P-213 SAND-CLAY BASE COURSE

DESCRIPTION

213-1.1 This item shall consist of a base course composed of approved selected material, constructed on a prepared underlying course in accordance with these specifications and shall conform to the dimensions and typical cross section shown on the plans.

MATERIALS

213-2.1 SAND-CLAY. The materials shall be a mixture of clay and mineral aggregate. This mixture shall consist of topsoil, sand-clay, sand-clay gravel, disintegrated granite, or other approved selected aggregate, and it shall contain sufficient binder material so blended or processed as to produce a uniform mixture complying with the requirements of these specifications.

The materials shall be uniform and free from excess amounts of clay or organic matter such as leaves, grass, roots, and other objectionable or foreign substances. The coarse aggregate (particles coarser than a No. 4 mesh (4.75 mm) sieve) shall consist of hard, durable pieces or fragments of stone or gravel.

The gradation of the blended or processed material shall meet the requirements of one of the gradations given in the following table, when tested in accordance with ASTM C 136.

Sieve designation	Percentage by Weight Passing Sieves	
1-1/2 inch (38.5 mm)	100	100
1 inch (25.0 mm)	85-100	85-100
No. 4 (4.75 mm)	45-75	65-100
No. 10 (2.0 mm)	30-60	60-100
No. 40 (0.42 mm)	10-40	20-70
No. 200 (0.075 mm)	2-15	4-25

The fraction passing the No. 40 (0.42 mm) mesh sieve shall be referred to as binder. The fraction passing the No. 200 (0.075 mm) mesh sieve shall be less than one-half the fraction passing the No. 40 (0.42 mm) mesh sieve. The material passing the No. 40 mesh sieve shall have a plasticity index not to exceed 6 and have a liquid limit of not more than 25, when tested in accordance with ASTM D 4318, for gradation A; plasticity index shall not exceed 4 and the liquid limit shall not exceed 25 for gradation B.

213-2.2 FILLER FOR BLENDING. If filler, in addition to that naturally present in the base course material, is necessary for satisfactory bonding of the material, or for changing the soil constants of the material passing the No. 40 (0.42 mm) mesh sieve, or for correcting the gradation to the limitations of the specified gradation, it shall be uniformly blended with the base course material. The material for such purpose shall be obtained from sources approved by the Engineer and, when used, shall be of a gradation necessary to accomplish the specified gradation in the finally processed material.

CONSTRUCTION METHODS

213-3.1 OPERATION IN PITS. All work involved in clearing and stripping pits, including the handling of unsuitable material shall be performed by the Contractor at his/her expense. The base material shall be obtained from approved pits or other approved sources. The material in the pits shall be excavated and handled in a manner that assures a uniform and satisfactory product.

213-3.2 EQUIPMENT. All equipment necessary for the proper construction of this work shall be on the project, in first-class working condition, and approved by the Engineer before construction is permitted to start.

The processing equipment shall be designed, constructed, operated, and capable of thoroughly mixing all materials and water in the directed proportions to produce a base course of the gradation and consistency required.

213-3.3 PREPARING UNDERLYING COURSE. The underlying course shall be checked and accepted by the Engineer before placing and spreading operations are started. Any ruts or soft yielding places caused by improper drainage conditions, hauling, or any other cause shall be corrected at the Contractor's expense before the base course is placed thereon. Material shall not be placed on frozen subgrade or subbase.

213-3.4 PLANT MIXING. The base material shall be uniformly blended and mixed in an approved central or travel mixing plant. The sand-clay, together with any blended material, shall be thoroughly mixed with the required amount of water. After the mixing is complete, the base material shall be transported to, and spread on, the underlying course without undue loss of the moisture content.

213-3.5 PLACING AND SPREADING. The base course material that is correctly proportioned or that has been processed in a plant shall be placed on the prepared underlying course and compacted in the thickness shown on the plans. The depositing and spreading of the material shall commence where designated and shall progress without breaks. The material shall be deposited and spread in lanes in a uniform layer and without segregation of size to such loose depth that, when compacted, the layer shall have the required thickness. The material shall be spread by spreader boxes, or other approved devices, equipped to distribute the material in a uniform layer.

When approved, the material may be dumped in piles, but it shall be spread immediately. Hauling over the uncompacted base course shall not be permitted.

213-3.6 TRAVEL PLANT MIX. When the use of a travel plant is approved, sufficient quantities and proportions of all material necessary shall be used to provide a base mixture that conforms to the specified gradation, quality, and thickness. If a windrow travel plant is employed for mixing, the sand-clay shall be placed in windrows parallel to the pavement centerline. If a traveling plant is used which mixes previously spread material in-place, the sand-clay shall be spread to a thickness that may be readily handled by the machine and that will develop the proper thickness for each layer. The base material shall be of a satisfactory moisture content to obtain maximum density.

After mixing has been completed, the base material shall be spread to the required depth and width by a self-powered blade grader, mechanical spreader, or other approved method. In spreading, care shall be taken to prevent cutting into the underlying layer. The material shall be bladed, disced, and dragged if necessary until a smooth, uniform surface is obtained true to line, grade, and cross section and in condition for compacting.

213-3.7 MIXED IN-PLACE. When the base materials are to be proportioned and mixed or blended in-place, the different layers shall be spread and placed in the following manner with the relative proportions of the components of the mixture designated by the Engineer.

The base aggregate shall be deposited and spread evenly on the subgrade to a uniform thickness and width. Then the binder or filler shall be deposited and spread evenly over the first layer. There shall be as many layers of materials added as the Engineer may direct to obtain the required base mixture.

After the required materials have been placed, they shall be thoroughly mixed and blended using approved graders, discs, harrows, rotary-tillers, supplemented by other suitable equipment if necessary. The mixing shall continue until the mixture is uniform throughout. Areas of segregated material shall be corrected by the addition of binder or filler material and then thoroughly remixed. If necessary, water in the required amount shall be uniformly applied as directed by the Engineer prior to and during the mixing operation to maintain the material at the proper moisture content. When the mixing and blending has been completed, the material shall be spread in a uniform layer which, when compacted, will meet the requirements for thickness and typical cross section.

213-3.8 GENERAL METHODS FOR PLACING. The base course shall be constructed in layers not less than 4 inches (100 mm) nor more than 6 inches (150 mm) of compacted thickness. Each layer shall be measured for depth. The material, as spread, shall be of uniform gradation with no pockets of fine or coarse materials. Unless otherwise permitted by the Engineer, the base shall not be spread more than 2,000 square yards (186 square meters)

in advance of the rolling. Any necessary sprinkling shall be kept within this limit. No material shall be placed in snow or on a soft, muddy, or frozen course.

When more than one layer is required, the construction procedure described herein shall apply similarly to each layer.

During placing and spreading operations, sufficient caution shall be exercised to prevent the incorporation of subgrade, subbase, or shoulder material into the base course mixture.

213-3.9 COMPACTION. Immediately after completion of the spreading operations, the base material shall be thoroughly compacted. The number, type, and weight of rollers shall be sufficient to compact the mixture to the required density.

The field density of the compacted material shall be at least 100 percent of the maximum density of laboratory specimens prepared from samples of the base material delivered to the jobsite. The laboratory specimens shall be compacted and tested in accordance with []. The in-place field density shall be determined in accordance with ASTM D 1556. The moisture content of the material at the start of compaction shall not be below nor more than 1-1/2 percentage points above the optimum moisture content.

The Engineer shall specify ASTM D 698 for areas designated for aircraft with gross weights of 60,000 pounds (27 200 kg) or less and ASTM D 1557 for areas designated for aircraft with gross weights greater than 60,000 pounds (27 200 kg).

213-3.10 SURFACE TOLERANCE. After the course has been completely compacted, the surface shall be tested for smoothness and accuracy of grade and crown. Any portion lacking the required smoothness or failing in accuracy of grade or crown shall be scarified, reshaped, recompactd, and otherwise manipulated as the Engineer may direct until the required smoothness and accuracy are obtained. The finished surface shall not vary more than 3/8 inch (9 mm) from a 16-foot (4.8 mm) straightedge when applied to the surface parallel with, and at right angles to, the centerline.

213-3.11 THICKNESS. The thickness of the base course shall be determined by depth tests or cores taken at intervals in such manner that each test shall represent no more than 300 square yards (28 square meters). When the base deficiency is more than 1/2 inch (12 mm), the Contractor shall correct such areas by scarifying, adding satisfactory base mixture, rolling, sprinkling, reshaping, and refinishing in accordance with these specifications. The Contractor shall replace, at his/her expense, the base material where borings have been taken for test purposes.

213-3.12 PROTECTION. Work on the base course shall not be accomplished during freezing temperature nor when the subgrade is wet. When the base material contains frozen material or when the underlying course is frozen, the construction shall be stopped.

Hauling equipment may be routed over completed portions of the base course, provided no damage results and provided that such equipment is routed over the full width of the base course to avoid rutting or uneven compaction. However, the Engineer in charge shall have fall and specific authority to stop all hauling over completed or partially completed base course when, in his/her opinion, such hauling is causing damage. Any damage resulting to the base course from routing equipment over the base course shall be repaired by the Contractor at his/her own expense.

213-3.13 MAINTENANCE. Following the completion of the base course, the Contractor shall perform all maintenance work necessary to keep the base course in a condition satisfactory for priming. After priming, the surface shall be kept clean and free from foreign material. The base course shall be properly drained at all times. If cleaning is necessary, or if the prime coat becomes disturbed, any work or restitution necessary shall be performed at the expense of the Contractor.

METHOD OF MEASUREMENT

213-4.1 The quantity of sand-clay base course to be paid for shall be the number of cubic yards (cubic meters) of base course material placed, bonded, and accepted in the completed base course. The quantity of base course material shall be measured in final position based upon depth tests or cores taken as directed by the Engineer, at the rate of 1 depth test for each 300 square yards (28 square meters) of base course, or by means of average end areas on the complete work computed from elevations to the nearest 0.01 foot (3 mm). On individual depth measurements, thicknesses more than 1/2 inch (12 mm) in excess of that shown on the plans shall be considered as the specified thickness, plus 1/2 inch (12 mm) in computing the yardage for payment. Base materials shall not be included in any other excavation quantities.

BASIS OF PAYMENT

213-5.1 Payment shall be made at the contract unit price per cubic yard (cubic meter) for sand-clay base course. This price shall be full compensation for furnishing all materials and for all preparation, hauling, and placing of these materials, and for all labor, equipment, tools, and incidentals necessary to complete the item.

Payment will be made under:

Item P-213-5.1 Sand-Clay Base Course—per cubic yard (cubic meter)

TESTING REQUIREMENTS

- ASTM C 136 Sieve Analysis of Fine and Coarse Aggregates
- ASTM D 698 Moisture-Density Relations of Soils and Soil Aggregate Mixtures Using 5.5-lb (2.49-kg) Rammer and 12-in (305 mm) Drop
- ASTM D 1556 Density of Soil in Place by the Sand-Cone Method
- ASTM D 1557 Test for Laboratory Compaction Characteristics of Soil Using Modified Effort
- ASTM D 2167 Density and Unit Weight of Soil in Place by the Rubber Ballon Method
- ASTM D 4318 Liquid Limit, Plastic Limit, and Plasticity Index of Soils

END OF ITEM P-213

ITEM P-217 AGGREGATE-TURF PAVEMENT

DESCRIPTION

217-1.1 This item shall consist of an aggregate-turf pavement composed of a base course of soil-bound crushed stone, soil-bound gravel, or soil-bound sand, and a seedbed of suitable soil or combination of soil and aggregate, constructed on a prepared subgrade or a previously constructed underlying course in accordance with these specifications, and shall conform to the dimensions and typical cross section shown on the plans.

This item may include the furnishing and applying of fertilizer, lime, top-soil, or other plant nutrients; the furnishing and planting of seed; and the furnishing and spreading of mulch. When any of these turfing materials are required, the quality, quantity, and construction methods shall be in accordance with applicable FAA Turf Specifications. When turf is to be established, the seedbed soil or topsoil shall be a natural friable soil, possessing characteristics of the best locally obtainable soils, which can produce a fairly heavy growth of crops, grass, or other vegetation.

The prepared composite mixture of aggregates used for the base course shall be [Type A, B, or C, of Table 1][stabilizer aggregate of Table 2 mixed with in-place materials].

MATERIALS

217-2.1 STABILIZED MIXES. The designated stabilized base course mixtures shall conform to the following requirements.

Type A – The materials shall be natural or artificial mixtures of clay or soil binder and gravel, stone or sand, as screenings proportioned to meet the requirements specified.

Type B or C – The materials shall be natural or artificial mixtures of gravel, stone, or slag and soil so proportioned as to meet the requirement specified. The aggregate shall consist of clean, hard durable particles of crushed or uncrushed gravel, stone, or slag, and shall be free from soft, thin, elongated, or laminated pieces, and vegetable or other deleterious substances.

The prepared composite mixture used shall meet one of the applicable gradation requirements as follows when tested in accordance with ASTM C 136.

TABLE 1. REQUIREMENTS FOR GRADATION OF MIXTURE

Sieve Designation (square openings)	Percentage by weight passing sieves		
	A	B	C
2 inch (50.0 mm)	0	0	100
1 inch (24.0 mm)	100	100	70-95
3/4 inch (19.0 mm)	0	70-100	
No. 4 (4.75 mm)	0	40-70	
No. 10 (2.00 mm)	60-100	40-70	32-60
No. 20 (.085 mm)	50-90	0	0
No. 40 (0.425 mm)	40-75	20-45	20-40
No. 200 (0.075 mm)	12-30	10-20	10-20

The fraction of the composite mixture passing the No. 200 (0.075 mm) mesh sieve shall be less than two-thirds of the fraction passing the No. 40 (0.425 mm) mesh sieve. the fraction passing the No. 40 (0.425 mm) mesh sieve shall have a liquid limit not greater than 30 and a plasticity index not greater than 8 when tested in accordance with ASTM D 4318.

217-2.2 STABILIZER AGGREGATE. Stabilizer aggregate conforming to one of the gradations specified in Table 2, when tested in accordance with ASTM C 136, shall be placed upon the existing soil or base course in the specified quantity per square yard (square meter). The aggregate shall be uniformly blended with the soil or base

course material to the depth required or as shown on the plans. The aggregate shall consist of crushed stone, crushed or uncrushed gravel, or crushed slag, and it shall have a percent of wear not more than 60 at 500 revolutions as determined by ASTM C 131. The aggregate shall be free from soft, thin, elongated, or laminated pieces, disintegrated material, or other deleterious substances.

Where sand, as existing subgrade or base, requires stabilization, it shall be secured by the addition of clay or lime rock. The operations of spreading and mixing shall be handled as stated under construction methods.

TABLE 2. REQUIREMENTS FOR GRADATION OF STABILIZER AGGREGATE

Sieve designation (square openings)	Percentage by weight passing sieves		
	D	E	F
2 inch (50.0 mm)		100	
1-1/2 inch (37.5 mm)	100		
1 inch (24.0 mm)	90-100		
1/2 inch (12.5 mm)		0-15	100
No. 4 (4.75 mm)	20-50		85-100
No. 10 (2.00 mm)	0-10		
No. 100 (0.150 mm)			0-30

CONSTRUCTION METHODS

217-3.1 OPERATION IN PITS. All work involved in clearing and stripping pits, including handling of unsuitable material, shall be performed by the Contractor at his/her own expense. The base or binder material shall be obtained from approved sources. The material in the pits shall be excavated and handled in a manner that will secure a uniform and satisfactory product.

217-3.2 EQUIPMENT. All equipment necessary for the proper construction of this work shall be on the project in first-class working condition and approved by the Engineer before construction is permitted to start.

217-3.3 PREPARING SUBGRADE. Before any base course material is placed, the subgrade or underlying course shall be prepared and conditioned as specified. The underlying course shall be checked and accepted by the Engineer before placing and spreading operations are started.

217-3.4 PLACING MATERIALS.

a. All new material shall be placed on the prepared course and compacted in layers of the thickness shown on the plans. The depositing and spreading of the material on the prepared and completed layer shall commence where designated and shall progress without breaks. The material shall be deposited and spread in lanes in a uniform layer and without segregation of size to such loose depth that, when compacted, the layer will have the required thickness. The material shall be spread with approved equipment. When it is necessary to combine materials from different sources, it may be done either at the pits, in a processing plant prior to delivery of the material, or on the course in the proper proportions and in successive spreadings that give the required gradation and thickness of layer. If the combining is done on the course, the mixing shall be as specified hereinafter.

b. When it is necessary to blend new material with material on the existing surface, the existing surface shall first be scarified lightly and bladed to uniform grade and cross section as shown on the plans. After blading, and when necessary, the existing surface shall be further scarified and/or pulverized to provide sufficient loose material of the required depth to be mixed with the added material.

217-3.5 SPREADING AND MIXING.

a. Materials that have been mixed and processed in a processing plant at the pits, or elsewhere, shall be delivered and spread to the required depth.

b. Following the placing of the required materials being combined on the base course, the total base material shall be thoroughly pulverized and mixed by approved rotary-pulverizing mixers. The moisture content of the aggregate and soil binder shall be as specified by the Engineer to secure thorough mixing and the required compaction. The mixing shall produce a homogeneous mass of the specified gradation and soil characteristics to form a base course of the desired qualities. When the mixing is completed, the material shall be spread in a uniform layer which, when compacted, shall meet the requirements for thickness and typical cross section.

217-3.6 ROLLING. Immediately after completion of the spreading operations, the material shall be thoroughly compacted. The number, type, and weight of rollers shall be sufficient to compact the material to the required density.

The field density of the compacted material shall be at least 90 percent of the maximum density of laboratory specimens prepared from samples of the subbase material taken from the material delivered to the jobsite. The laboratory specimens shall be compacted and tested in accordance with ASTM D 698. The in-place field density shall be determined in accordance with ASTM D 1556 or ASTM D 2167. The moisture content of the material at the start of compaction shall not be below nor more than 1-1/2 percentage points above the optimum moisture content.

217-3.7 SURFACE TEST, THICKNESS, AND MAINTENANCE. The surface shall not deviate more than 1/2 inch (12 mm) when tested with a 16-foot (4.8 m) straightedge applied parallel with, and at right angles to, the centerline. Any deviation in excess of this amount shall be corrected by loosening, adding, or removing material, reshaping, and recompacting.

The thickness of the base course shall be determined by depth tests or cores taken at intervals in such manner that each test shall represent not more than 500 square yards (418 square meters). When the base deficiency exceeds 1/2 inch (12 mm), it shall be corrected. The Contractor shall replace, at his/her expense, the base material where borings have been taken for test purposes.

The surface of the base course shall be maintained and kept in a well-drained condition until the construction of another course. Sprinkling, blading, and rolling shall be performed when necessary to prevent the base material from becoming unbonded.

217-3.8 TURF-SURFACING. Following the construction of the soil-aggregate base, the Contractor shall prepare the seedbed for the turf. If topsoil is to be placed, the surface of the base course shall be loosened slightly, as directed by the Engineer. If seeding is to be done without topsoiling, the surface of the base shall be loosened sufficiently to prepare a seedbed. This can be accomplished by discing, harrowing, rotary-tilling, or other approved methods, and should be to a depth not less than 1 inch (25 mm) nor greater than 3 inches (75 mm). Any topsoil shall be spread to the depth as required. The seedbed preparation, applying lime, fertilizer and water, seeding, rolling and mulching, shall be performed in accordance with the specification requirements.

METHOD OF MEASUREMENT

217-4.1. Soil-aggregate base course shall be measured by the number of cubic yards (cubic meters) of base course material placed, bonded, and accepted in the completed base course. The quantity shall be measured in final position based on depth tests or cores, or by means of average end areas on the completed work.

Stabilizer aggregate shall be measured by the number of cubic yards (cubic meters) of aggregate furnished, placed, and accepted in the completed base course.

When approved materials in-place are utilized in the base course, the preparation and incorporation of other materials in the base mixture shall be measured as a conditioning and mixing operation. Conditioning shall be measured by the number of square yards (square meters) of such material prepared and incorporated in the mix, completed, and accepted.

[Topsoil shall be measured by the number of cubic yards (cubic meters) of topsoil removed, placed, and spread in the accepted work.]

[Lime and fertilizer shall be measured by the number of tons (kg) or 100-pound (45.4 kg) sacks, of the quality specified in the bid schedule, furnished, incorporated, and accepted.]

[Seeding shall be measured by the number of acres seeded, and accepted.]

[Watering for planting shall be measured by the number of 1,000-gallon (4000 liters) units of water measured by an approved water meter or in the vehicle at the point of delivery, furnished and applied as specified or ordered.]

[Mulching shall be measured by the number of acres mulched, and accepted.]

BASIS OF PAYMENT

217-5.1 Payment shall be made at the contract unit price per cubic yard (cubic meter) for soil-aggregate base course; at the contract unit price per cubic yard (cubic meter) for stabilizer aggregate; at the contract unit price per square yard (cubic meter) for conditioning operation; at the contract unit price per cubic yard (square meter) for topsoil; at the contract unit price per ton (kg) for lime; at the contract unit price per ton (kg) for fertilizer; at the contract unit price per acre for seeding; at the contract unit price per 1,000-gallon (4000 liter) unit for watering; and at the contract unit price per acre for mulching. These prices shall be full compensation for furnishing all materials and for all preparation, hauling, and placing of these materials; and for all labor, equipment, tools, and incidentals necessary to complete the item.

Payment will be made under:

- Item P-217-5.1 Soil Aggregate Base Course—per cubic yard (cubic meter)
- Item P-217-5.2 Stabilizer Aggregate—per cubic yard (cubic meter)
- Item P-217-5.3 Conditioning Operation—per square yard (cubic meter)
- Item P-217-5.4 Topsoil—per cubic yard (cubic meter)
- Item P-217-5.5 Lime—per ton (kg)
- Item P-217-5.6 Fertilizer—per ton (kg)
- Item P-217-5.7 Seeding—per acre
- Item P-217-5.8 Watering—per 1,000-gallon (4000 liter) unit
- Item P-217-5.9 Mulching—per acre

The Engineer shall include only those items shown in the bid schedule.

TESTING REQUIREMENTS

- ASTM C 131 Resistance to Abrasion of Small Size Coarse Aggregate by Use of the Los Angeles Machine
- ASTM C 136 Sieve Analysis of Fine and Coarse Aggregates

ASTM D 698 Moisture-Density Relations of Soils and Soil-Aggregate Mixtures Using 5.5 lb (2.49 kg)
Rammer and 12-inch (300 mm) Drop

ASTM D 1556 Density of Soil in Place by the Sand-Cone Method

END OF ITEM P-217

Intentionally Left Blank

ITEM P-219 RECYCLED CONCRETE AGGREGATE BASE COURSE

DESCRIPTION

219 -1.1 This item consists of a base course composed of recycled concrete aggregate, crushed to meet a particular gradation, constructed on a prepared course in accordance with these specifications and in conformity to the dimensions and typical cross sections shown on the plans.

MATERIALS

219-2.1 AGGREGATE. Recycled concrete aggregate shall consist of Portland cement concrete or other concrete containing pozzolanic binder material. The recycled concrete material shall be free of reinforcing steel, expansion material. Asphalt concrete overlays shall be removed from the PCC surface prior to pavement removal and crushing. Also, full-slab asphalt concrete panels (used as a replacement for a removed PCC slab) shall be removed. An incidental amount of recycled asphalt concrete pavement and other foreign material may be present in the recycled concrete aggregate.

Recycled concrete aggregate for base course shall consist of at least 90 percent, by weight, Portland cement concrete, with the following materials making up the remaining 10 percent:

- Wood - 0.1 percent maximum
- Brick, mica, schist, or other friable materials - 4 percent maximum
- Asphalt concrete – 10 percent maximum

Virgin aggregates may be added to meet the 90 percent minimum concrete requirement

The percentage of wood, brick, mica, schist, other friable materials, and asphalt concrete shall be determined by weighing that material retained on the No. 4 sieve, and dividing by the total weight of recycled concrete aggregate material retained on the No. 4 sieve.

Fine aggregate passing the No.4 (4.75-mm) sieve shall consist of fines from the operation of crushing the recycled concrete aggregate. If necessary, fine aggregate may be added to produce the correct gradation. The fine aggregate shall be produced by crushing stone, gravel, slag, or recycled concrete that meet the requirements for wear and soundness specified for coarse aggregate.

To the extent possible, recycled concrete aggregate should be produced from distress-free (material related) concrete. Published literature and limited laboratory testing have indicated that alkali-silica reactivity (ASR) is not a concern for crushed aggregate base course. The pavement designer should exercise due care in evaluating site conditions and other factors to ensure the proper use of ASR prone PCC.

The engineer shall gather and analyze available information on the history and performance of the ASR-distressed PCC to be used to manufacture base material. The results of this investigation will justify why this material will provide an acceptable level of safety, economy, and durability. The designer is also advised to consult with experts (geologists, concrete petrographers, materials engineers, etc.) on the degree of reactivity of aggregates from the source(s) used to construct the original PCC. All information including test results and experts consulted should be documented in the pavement design report.

Recycled concrete aggregate shall not be used in locations with high sulfate content soils (no more than 1 percent).

The amount of flat and elongated particles in recycled concrete aggregate shall not exceed 20 percent for the fraction retained on the 0.5 inch (13 mm) sieve nor 20 percent for the fraction passing the 0.5 inch (13 mm) sieve when tested in accordance with ASTM D 4791. A flat particle is one having a ratio of width to thickness greater than 3; an elongated particle is one having a ratio of length to width greater than 3.

Recycled concrete aggregate shape depends on the characteristics of the recycled concrete, plant type, and plant operation speed. A number of trial batches may have to be produced before crushed recycled concrete aggregate meeting the shape and gradation requirements is produced.

The percentage of wear shall not be greater than 45 percent when tested in accordance with ASTM C 131. The sodium sulfate soundness test (ASTM C 88) requirement is waived for recycled concrete aggregate.

The fraction passing the No. 40 (0.42-mm) sieve shall have a liquid limit no greater than 25 and a plasticity index of not more than 4 when tested in accordance with ASTM D 4318. The fine aggregate shall have a minimum sand equivalent value of 35 when tested in accordance with ASTM D 2419.

a. Sampling and Testing. Recycled concrete aggregate samples for preliminary testing shall be furnished by the Contractor prior to the start of base construction. All tests for initial aggregate submittals necessary to determine compliance with the specification requirements will be made by the Engineer at no expense to the Contractor.

Samples of recycled concrete aggregate shall be furnished by the Contractor at the start of production and at intervals during production. The sampling points and intervals will be designated by the Engineer. The samples will be the basis of approval of specific lots of recycled concrete aggregate for the quality requirements.

Samples of recycled concrete aggregate to check gradation shall be taken at least once daily. Sampling shall be in accordance with ASTM D 75, and testing shall be in accordance with ASTM C 136 and C 117.

b. Gradation Requirements. The gradation (job mix) of the final mixture shall fall within the design range indicated in Table 1, when tested in accordance with ASTM C 117 and C 136. The final gradation shall be continuously graded from coarse to fine and shall not vary from the low limit on one sieve to the high limit on an adjacent sieve or vice versa.

Table 1. Requirements for gradation of recycled concrete aggregate.		
Sieve Size	Percentage by Weight Passing Sieves	Job Mix Tolerances Percent
2 in (50.8 mm)	100	--
1-1/2 (37.5 mm)	95 - 100	+/- 5
1 in (25.0 mm)	70 - 95	+/- 8
3/4 in (19.0 mm)	55 - 85	+/- 8
No.4 (4.75 mm)	30 - 60	+/- 8
No. 30 (0.60 mm)	12 - 30	+/- 5
No. 200 (0.075 mm)	0 - 5	+/- 3

The job mix tolerances in Table 1 shall be applied to the job mix gradation to establish a job control gradation band. The full tolerance still will apply if application of the tolerances results in a job control gradation band outside the design range.

EQUIPMENT

219-3.1 GENERAL. All equipment necessary to mix, transport, place, compact, and finish the recycled concrete aggregate base course shall be furnished by the Contractor. The Contractor shall provide written certification to the Engineer that all equipment meets the requirements for this section. The equipment shall be inspected by the Engineer at the job site prior to the start of I construction operations.

219-3.2 MIXING EQUIPMENT. Base course shall be thoroughly mixed in a plant suitable for recycled concrete aggregate. The mixer shall be a batch or continuous-flow type and shall be equipped with calibrated metering and feeding device that introduce the aggregate and water into the mixer in specified quantities. If necessary, a screening device shall be installed to remove oversized material greater than 2 in (50 mm) from the recycled concrete aggregate feed.

Free access to the plant shall be provided to the Engineer at all times for inspection of the plant's equipment and operation and for sampling the mixed recycled concrete aggregate materials.

219-3.3 HAULING EQUIPMENT. The mixed recycled concrete aggregate base course shall be transported from the plant to the job site in hauling equipment having beds that are smooth, clean, and tight. Truck bed covers shall be provided and used to protect the mixed recycled concrete aggregate base course from rain during transport.

219-3.4 PLACING EQUIPMENT. Recycled concrete aggregate shall be placed using a mechanical spreader or machine capable of receiving, spreading, and shaping the material without segregation into uniform layer or lift. The placing equipment shall be equipped with a strike off plate that can be adjusted to the layer thickness. **[The placing equipment shall have two end gates or cut off plates, so that the recycled concrete aggregate may be spread up to a lane width.]**

The Engineer may add additional equipment requirements.

219-3.5 COMPACTION EQUIPMENT. Recycled concrete aggregate base course compaction shall be accomplished using one or a combination of the following pieces of equipment:

- Steel-wheeled roller,
- Vibratory roller,
- Pneumatic-tire roller,
- Hand-operated power tampers (for areas inaccessible to rollers)

219-3.6 FINISHING EQUIPMENT. Trimming of the compacted recycled concrete aggregate to meet surface requirements shall be accomplished using a self-propelled grader or trimming machine, with a mold board cutting edge of 12 ft (3.7 m) minimum width automatically controlled by sensors in conjunction with an independent grade control from a taut string line. String line will be required on both sides of the sensor controls for all lanes.

CONSTRUCTION METHODS

219-4.1 WEATHER LIMITATIONS. Construction is allowed only when the atmospheric temperature is at or above 35 °F (2 °C). When the temperature falls below 35°F (2 °C), the contractor shall protect all completed areas against detrimental effects of freezing. Areas damaged by freezing, rainfall, or other weather conditions shall be corrected.

219-4.2 PREPARING UNDERLYING COURSE. The underlying course shall be checked by the Engineer before placing and spreading operations are started. Any ruts or soft yielding places caused by improper drainage

conditions, hauling, or any other cause shall be corrected at the Contractor's expense before the base course is placed thereon. Material shall not be placed on frozen material.

To protect the existing layers and to ensure proper drainage, the spreading of the recycled concrete aggregate base course shall begin along the centerline of the pavement on a crowned section or on the greatest contour elevation of a pavement with a variable uniform cross slope.

219-4.3 GRADE CONTROL. Grade control between the edges of the recycled concrete aggregate base course shall be accomplished by grade stakes, steel pins, or forms placed in lanes parallel to the centerline and at intervals of 50 ft (15 m) or less on the longitudinal grade and 25 ft (7.5 m) or less on the transverse grade.

219-4.4 MIXING. The recycled concrete shall be uniformly blended during crushing operations and mixed with water in a mixing plant suitable for recycled concrete aggregate. The plant shall blend and mix the materials to meet the specifications and to secure the proper moisture content for compaction.

219-4.5 PLACING. The recycled concrete aggregate base material shall be placed on the moistened subgrade or base in layers of uniform thickness with an approved mechanical spreader.

The maximum depth of a compacted layer shall be 6 inches (150 mm). If the total depth of the compacted material is more than 6 inches (150 mm), it shall be constructed in two or more layers. In multi-layer construction, the material shall be placed in approximately equal-depth layers.

The previously constructed layer shall be cleaned of loose and foreign material prior to placing the next layer. The surface of the compacted material shall be kept moist until covered with the next layer.

Adjustments in placing procedures or equipment shall be made to obtain grades, to minimize segregation grading, to adjust the water content, and to ensure an acceptable recycled concrete aggregate base course.

219-4.6. EDGES OF BASE COURSE. The recycled concrete aggregate shall be placed so that the completed section will wider, on all sides, than the next layer that will be placed above it, as shown on the plans. Approved fill material shall be placed along the free edges of the recycled concrete aggregate in sufficient quantities to compact to the thickness of the course being constructed, or to the thickness of each layer in a .multiple course, allowing in each operation at least a 2-ft (0.6-m) width of this material to be rolled and compacted simultaneously with rolling and compacting of each layer of base course. If this base course material is to be placed adjacent to another pavement section, then the layers for both of these sections shall be placed and compacted along the edge at the same time.

The Engineer shall show the added width required on the plans, (generally 1-3' but no more than 5'.

219-4.7 COMPACTION. Immediately upon completion of the spreading operations, the recycled concrete aggregate shall be compacted. The number, type, and weight of rollers shall be sufficient to compact the material to the required density.

Each layer of the recycled concrete aggregate base course shall be compacted to the required density using the compaction equipment. The moisture content of the material during placing operations shall not be below, nor more than 1-1/2 percentage points above, the optimum moisture content as determined by ASTM [].

The Engineer shall specify ASTM D 698 for areas designated for aircraft with gross weights .of 60,000 pounds (27,200 kg) or less and ASTM D 1557 for areas designated for aircraft with gross weights greater than 60,000 pounds (27 200 kg).

The compaction shall continue until each layer has a degree of compaction that is at least 100 percent of the laboratory maximum density through the full depth of the layer. The contractor shall make adjustments in compacting or finishing techniques to obtain true grades, to minimize segregation and degradation, to reduce or increase water content and to ensure a satisfactory base course. Any materials found to be unsatisfactory shall be removed and replaced with satisfactory material or reworked, so that the requirements of this specification are met.

219-4.8 ACCEPTANCE SAMPLING AND TESTING FOR DENSITY. Recycled concrete aggregate shall be accepted for gradation and density on a lot basis. A lot will consist of one day's production where it is not expected to exceed 2,400 square yards (2,000 square meters) per lift. A lot will consist of one-half day's production, where a day's production is expected to consist of between 2,400 and 4,800 square yards (2,000 and 4,000 square meters) per lift.

Each lot shall be divided into two equal sublots. One gradation and density test shall be made for each subplot. Sampling locations will be determined on a random basis in accordance with statistical procedures contained in ASTM D 3665.

Each lot will be accepted for gradation when it falls within the limits and tolerances shown in Table 1 when tested in accordance with ASTM C117 and C 131. If the proper gradation is not attained the gradation test will be repeated. The entire lot shall be rejected and replaced by the Contractor at the Contractor's expense.

Each lot will be accepted for density when the field density is at least 100 percent of the maximum density of laboratory specimens prepared from samples of the base course material delivered to the job site. The specimens shall be compacted and tested in accordance with ASTM []. The in-place field density shall be determined in accordance with ASTM D 1556 or D 2167. If the specified density is not attained, the entire lot shall be reworked and two additional random tests made. This procedure shall be followed until the specified density is reached.

The Engineer shall specify ASTM D 698 for areas designated for aircraft with gross weights of 60,000 pounds (27 200 kg) or less and ASTM D 1557 for areas designated for aircraft with gross weights greater than 60,000 pounds (27 200 kg).

In lieu of ASTM D 1556 or D 2167 method of field density determination, acceptance testing may be accomplished using a nuclear gage in accordance with ASTM D 2922. The gage should be field calibrated in accordance with paragraph 4 of ASTM D 2922. Calibration tests shall be conducted on the first lot of material placed that meets the density requirements.

Use of ASTM D 2922 results in a wet unit weight, and when using this method, ASTM D 3017 shall be used to determine the moisture content of the material. The calibration curve furnished with the moisture gages shall be checked as described in paragraph 7 of ASTM D 3017. The calibration checks of both the density and moisture gages shall be made at the beginning of a job and at regular intervals.

If a nuclear gage is used for density determination, two random measurements shall be made for each subplot.

219-4.9 FINISHING. The surface of the recycled concrete aggregate base course shall be finished by equipment designed for this purpose.

In no case will thin layers of material be added to the top of base course to meet grade. If the elevation of the layer is 1/2 inch (12 mm) or more below grade, the layer shall be scarified to a depth of at least 3 inches (75 mm), new material added, and the layer shall be recompacted. If the finished surface is above plan grade, it shall be cut back to grade and rerolled.

Should the surface become rough, corrugated, uneven in texture, or traffic marked prior to completion, the unsatisfactory portion shall be scarified, and recompactd or replaced at Contractor's expense.

219-4.10 SURFACE TOLERANCES. The finished surface shall not vary more than 3/8 inch (9 mm) when tested with a 16-ft (4.8-m) straightedge applied parallel with or at right angles to the centerline. The Contractor shall correct any deviation in excess of this amount, at the Contractor's expense.

219-4.11 THICKNESS CONTROL. The completed thickness of the base course shall be within 0.5 inch (13 mm) of the design thickness. Four determinations of thickness shall be made for each lot of material placed. Each lot shall be divided into four equal sublots. One test shall be made for each subplot. Sampling locations will be determined on a random basis in accordance with procedures contained in ASTM D 3665. Where the thickness is deficient by more than 0.5 inch (13 mm), the Contractor shall correct such areas at no additional cost by excavating to the required depth and replacing with new material. Additional test holes may be required to identify the limits of deficient areas.

219-4.12 TRAFFIC. Equipment used in construction may be routed over completed portions of the base course, provided no damage results and provided that the equipment is distributed evenly over the full width of the base course to avoid rutting or uneven compaction.

219-4.13 MAINTENANCE. The base course shall be maintained until the base course is completed and accepted. Maintenance will include immediate repairs to any defects and shall be repeated as often as necessary to keep the completed work intact. Any area of the recycled concrete aggregate base course that is damaged shall be reworked as necessary .

METHOD OF MEASUREMENT

219-5.1 The quantity of recycled concrete aggregate base course to be paid will be determined by measurement of the number of square yards (square meters) of material actually constructed and accepted as complying with the plans and specifications.

BASIS OF PAYMENT

219-6.1 Payment shall be made at the contract unit price per square yard (square meter) for recycled concrete aggregate base course. This price shall be full compensation for furnishing all materials, for preparing and placing these materials, and for all labor, equipment tools, and incidentals necessary to complete the item. Payment will be made under:

Item P-219-6.1 recycled Concrete Aggregate Base Course -per square yard (square meter)

When multiple lifts are shown on the plans, each lift should be measured and paid separately.

TESTING REQUIREMENTS

- ASTM C 29 Unit Weight of Aggregate
- ASTM C 117 Materials Finer than 75J.lm (No. 200) Sieve in Mineral Aggregates by Washing
- ASTM C 131 Resistance to Abrasion of Small Size Coarse Aggregate by Use of the Los Angeles Machine
- ASTM C 136 Sieve or Screen Analysis of Fine and Coarse Aggregate ASTM D 75 Sampling Aggregate

- ASTM D 693 Crushed Stone, Crushed Slag, and Crushed Gravel for Dry-or Water- Bound Macadam Base Courses and Bituminous Macadam Base and Surface Courses of Pavements
- ASTM D 698 Moisture-Density Relations of Soils and Soil -Aggregate Mixtures Using 5.5-lb (2.49-kg) Rammer and 12-in (305-mm) Drop
- ASTM D 1556 Density of Soil in Place by the Sand -Cone Method
- ASTM D 1557 Moisture-Density Relations of Soils and Soil-Aggregate Mixtures Using 10-lb (4.5-kg) Rammer and 18-in (457-mm) Drop
- ASTM D 2167 Density of Soil in Place by the Rubber-Balloon Method ASTM D 2419 Sand Equivalent Value of Soils and Fine Aggregate
- ASTM D 2922 Density of Soil and Soil-Aggregate in Place by Nuclear Methods
- ASTM D 3017 Moisture Content of Soil and Soil-Aggregate in Place by Nuclear Methods
- ASTM D 3665 Random Sampling of Paving Materials
- ASTM D 4318 Liquid Limit, Plastic Limit, and Plasticity Index of Soils

END OF P-219

Intentionally Left Blank

**PART IV – RIGID BASE COURSES
ITEM P-301 SOIL-CEMENT BASE COURSE**

DESCRIPTION

301-1.1 This item shall consist of constructing a base course by uniformly mixing together soil, portland cement, and water. The mixed material shall be spread, shaped, and compacted in accordance with these specifications and in conformity to the dimensions and typical cross section shown on the plans. Tests shall be required for each approved soil that will be included in the treated layer.

Runway, taxiway, or apron pavements shall be built in a series of parallel lanes using a plan of processing that reduces longitudinal and transverse joints to a minimum.

MATERIALS

301-2.1 PORTLAND CEMENT. Portland cement shall conform to the requirements of ASTM [].

The Engineer shall specify ASTM C 150, Type I, II, III, IV, or IV.

301-2.2 WATER. Water shall be clean and free from sewage, oil, acid, strong alkalies, or vegetable matter. Water of questionable quality shall be tested in accordance with the requirements of AASHTO T 26.

301-2.3 SOIL. The soil shall consist of an approved select soil. The soil shall be free of roots, sod, weeds, and shall not contain gravel or stone retained on a 1-inch (25 mm) sieve or more than 45% retained on a No. 4 sieve, as determined by ASTM C 136.

301-2.4 BITUMINOUS MATERIAL. The types, grades, controlling specifications, and application temperatures for the bituminous materials used for curing the soil-cement are listed in Table 1. The Engineer shall designate the specific material used.

TABLE 1. BITUMINOUS MATERIALS

Type and Grade	Specification	Application Temperature	
		Deg. F	Deg. C
Cutback Asphalt			
RC-70	ASTM D 2028	120-160	50-70
RC-250	ASTM D 2028	160-200	70-95
Emulsified Asphalt			
RS-1, SS-1	ASTM D 977	75-130	25-55
CRS-1	ASTM D 2397	75-130	25-55

CEMENT QUANTITY

301-3.1 LABORATORY SOIL TESTS. Prior to base course construction, laboratory tests of soils shall be made to determine the quantity of cement required in the mix.

Test specimens containing various amounts of cement are to be compacted in accordance with ASTM D 558, and the optimum moisture for each amount of cement is to be determined. Samples at the optimum moisture shall be subjected to the wet-dry and the freeze-thaw test in accordance with ASTM D 559 and D 560, respectively.

The specified cement content for construction shall be that at which the weight loss of the specimens subjected to 12 cycles of either the wet-dry or the freeze-thaw is not more than 14% for granular soils, 10% for the more plastic granular and silty soils, and 7% for clay soils.

The compressive strength of soaked specimens should increase both with age and with increase in cement content.

CONSTRUCTION METHODS

301-4.1 WEATHER LIMITATIONS. The soil-cement base shall not be mixed or placed while the atmospheric temperature is below 35° F (2° C) or when conditions indicate that the temperature may fall below 35° F (2° C) within 24 hours, or when the weather is foggy or rainy, or when the soil or subgrade is frozen.

301-4.2 EQUIPMENT. The soil-cement may be constructed with any equipment that will meet the requirements for soil pulverization, cement application, mixing, water application, incorporation of materials, compaction, finishing, and curing specified herein.

301-4.3 PREPARATION. The area to be paved shall be graded and shaped to conform to the grades and typical cross section shown on the plans. Any soft or yielding areas in the subgrade shall be removed and replaced with acceptable soil and compacted as specified.

301-4.4 PULVERIZATION. The soil for the base course shall be so pulverized that at the completion of moist-mixing, 100% by dry weight passes a 1-inch (25 mm) sieve and a minimum of 80% passes a No. 4 sieve, exclusive of gravel or stone retained on the No. 4 sieve.

301-4.5 CEMENT APPLICATION, MIXING, AND SPREADING. Mixing of the soil, cement, and water shall be accomplished either by the mixed-in-place or the central-plant-mixed method.

The percentage of moisture in the soil, at the time of cement application, shall not exceed the quantity that will permit a uniform and intimate mixture of soil and cement during mixing operations, and it shall not exceed the specified optimum moisture content for the soil-cement mixture.

Method A – Mixed-in-place. The specified quantity of cement shall be spread uniformly on the soil.

Cement that has been displaced shall be replaced before mixing is started. After the cement has been applied, it shall be mixed with the soil. Mixing shall continue until the cement has been sufficiently blended with the soil to prevent the formation of cement balls when water is applied.

Immediately after the soil and cement have been mixed, water shall be incorporated into the mixture. Excessive concentrations of water on or near the surface shall be avoided. A water supply and pressure distributing equipment shall be provided that will assure the application within 3 hours of all mixing water on the section being processed. After all mixing water has been applied, mixing shall continue until a uniform and intimate mixture of soil, cement, and water has been obtained.

Method B – Central plant mixed. The soil, cement, and water shall be mixed in a pugmill, either of the batch or continuous-flow type. The plant shall be equipped with feeding and metering devices that will add the soil, cement, and water into the mixer in the specified quantities. Soil and cement shall be mixed sufficiently to prevent cement balls from forming when water is added. Mixing shall continue until a uniform and intimate mixture of soil, cement, and water is obtained.

The mixture shall be hauled to the project in trucks equipped with protective covers. The mixture shall be placed on the moistened subgrade in a uniform layer by an approved spreader(s). Not more than 30 minutes shall elapse between the placement of soil-cement in adjacent lanes.

The layer of soil-cement shall be uniform in thickness and surface contour and of such quantity that the completed base will conform to the required grade and cross section. Dumping of the mixture in piles or windrows upon the subgrade will not be permitted.

Not more than 60 minutes shall elapse between the start of moist mixing and the start of compaction of soil-cement.

301-4.6 COMPACTION. Immediately upon completion of the spreading operations, the mixture shall be thoroughly compacted. The number, type, and weight of rollers shall be sufficient to compact the mixture to the required density.

The field density of the compacted mixture shall be at least 98 percent of the maximum density of laboratory specimens prepared from samples of the cement-treated base material taken from the material in place. The specimens shall be compacted and tested in accordance with ASTM D 558. The in-place field density shall be determined in accordance with ASTM D 1556. Any mixture that has not been compacted shall not be left undisturbed for more than 30 minutes. The moisture content of the mixture at the start of compaction shall not be below nor more than 2 percentage points above the optimum moisture content. The optimum moisture content shall be determined in accordance with ASTM D 558 and shall be less than that amount which will cause the mixture to become unstable during compaction and finishing.

301-4.7 FINISHING. Finishing operations shall be completed during daylight hours, and the completed base course shall conform to the required lines, grades, and cross section. If necessary, the surface shall be lightly scarified to eliminate any imprints made by the compacting or shaping equipment. The surface shall then be recompacted to the required density.

301-4.8 CONSTRUCTION JOINTS. At the end of each day's run, a transverse construction joint shall be formed by a header or by cutting back into the compacted material to form a true vertical face free of loose material.

The protection provided for construction joints shall permit the placing, spreading, and compacting of base material without injury to the work previously laid. Where it is necessary to operate or turn any equipment on the completed base course, sufficient protection and cover shall be provided to prevent damage to the finished surface. A supply of mats or wooden planks shall be maintained and used as approved and directed by the Engineer.

Care shall be exercised to ensure thorough compaction of the base material immediately adjacent to all construction joints. When spreading or compacting base material adjacent to a previously constructed lane, care shall be taken to prevent injury to the work already constructed.

301-4.10 PROTECTION AND CURING. After the base course has been finished to grade and compacted as specified herein, it shall be protected against drying for a period of 7 days by the application of bituminous material or other acceptable methods. The curing method shall begin as soon as possible, but no later than 24 hours after the completion of finishing operations. The finished base course shall be kept moist continuously until the curing material is placed.

The bituminous material specified shall be uniformly applied to the surface of the completed base course at the rate of approximately 0.2 gallon per square yard (0.92 liter/square meter) with approved heating and distributing equipment. The exact rate and temperature of application to give complete coverage without excessive runoff shall be as specified.

At the time the bituminous material is applied, the surface shall be dense, free of all loose and extraneous material, and shall contain sufficient moisture to prevent penetration of the bituminous material. Water shall be applied in sufficient quantity to fill the surface voids immediately before the bituminous curing material is applied.

The curing material shall be maintained and applied as needed by the Contractor during the 7-day protection period so that all of the soil-cement will be covered effectively during this period.

Finished portions of soil-cement that are used by equipment in constructing an adjoining section shall be protected to prevent equipment from marring or damaging the completed work.

When the air temperature may be expected to reach the freezing point, sufficient protection from freezing shall be given the soil-cement for 7 days after its construction and until it has hardened.

Other curing materials such as moist straw or hay may be used if approved.

301-4.11 CONSTRUCTION LIMITATIONS. When any of the operations after the application of cement are interrupted for more than 30 minutes or when the uncompacted soil-cement mixture is wetted by rain so that the moisture content is exceeded by a small amount, the decision to reconstruct the portion affected shall rest with the Engineer. In the event the uncompacted, rain-wetted mixture exceeds the specified moisture content tolerance, the Contractor shall reconstruct at his/her expense the portion affected. All material along the longitudinal or transverse construction joints not properly compacted shall be removed and replaced, at the Contractor's expense, with properly moistened and mixed soil-cement compacted to specified density.

301-4.12 SURFACE TESTS. The finished surface shall not vary more than 3/8 inch (9 mm) when tested with a 16-foot (4.8 m) straightedge applied parallel with, or at right angles to, the longitudinal axis of the pavement. Any variations in excess of this tolerance shall be corrected by the Contractor, at his/her own expense, and in a manner satisfactory to the Engineer.

301-4.13 THICKNESS. The thickness of the soil-cement base course shall be determined from measurements of cores drilled from the finished base or from thickness measurements at holes drilled in the base at intervals so that each test shall represent no more than 300 square yards (250 square meters). The average thickness of the base constructed during one day shall be within 1/2 inch (12 mm) of the thickness shown on the plans, except that the thickness of any one point may be within 3/4 inch (13 mm) of that shown on the plans. Where the average thickness shown by the measurements made in one day's construction is not within the tolerance given, the Engineer shall evaluate the area and determine if, in his/her opinion, it shall be reconstructed at the Contractor's expense or the deficiency deducted from the total material in place.

301-4.14 MAINTENANCE. The Contractor shall be required to maintain, at his/her own expense, the entire base course within the limits of his/her contract in a condition satisfactory to the Engineer from the time he starts work until all the work has been completed. Maintenance shall include immediate repairs of any defects that may occur either before or after the cement is applied. The work shall be done by the Contractor at his/her own expense and repeated as often as necessary to keep the area intact at all times. Repairs shall be made in a manner that will insure restoration of a uniform surface and the durability of the part repaired. Faulty work must be replaced for the full depth of treatment. Any low areas shall be remedied by replacing the material for the full depth of treatment rather than by adding a thin layer of soil-cement to the completed work.

METHOD OF MEASUREMENT

301-5.1 The quantity of soil-cement base course to be paid for shall be the number of square yards (square meters) of completed and accepted base course.

301-5.2 Portland cement shall be measured by the hundredweight.

BASIS OF PAYMENT

301-6.1 Payment shall be made at the contract unit price per square yard (square meter) for soil-cement base course. This price shall be full compensation for furnishing all materials, except portland cement, and for all preparation, delivering, placing, and mixing of these materials; and for all labor, equipment, tools and incidentals necessary to complete the item.

301-6.2 Payment shall be made at the contract unit price per hundredweight for cement. This price shall be full compensation for furnishing this material and for all delivery, placing, and incorporation of this material, and for all labor, equipment, tools, and incidentals necessary to complete the item.

Payment will be made under:

Item P-301-6.1 Soil-Cement Base Course—per square yard (square meter)

Item P-301-6.2 Portland Cement—per hundredweight

TEST REQUIREMENTS

ASTM C 136	Sieve Analysis of Fine and Coarse Aggregates
ASTM D 558	Moisture-Density Relations of Soil-Cement Mixtures
ASTM D 559	Wetting-and-Drying Tests of Compacted Soil-Cement Mixtures
ASTM D 560	Freezing-and-Thawing Tests of Compacted Soil-Cement Mixtures
ASTM D 1556	Test for Density of Soil In-Place by the Sand Cone Method
AASHTO T 26	Quality of Water to be Used in Concrete

MATERIAL REQUIREMENTS

ASTM C 150	Portland Cement
ASTM D 977	Emulsified Asphalt
ASTM D 202	Cutback Asphalt
ASTM D 239	Cationic Emulsified Asphalt

END OF ITEM P-301

Intentionally Left Blank

ITEM P-304 CEMENT-TREATED BASE COUSE

DESCRIPTION

304-1.1 This item shall consist of a cement-treated base (CTB) course composed of mineral aggregate and cement, uniformly blended and mixed with water. The mixed material shall be spread and shaped with a mechanical spreader, and compacted with rollers in accordance with these specifications and in conformance to the lines, grades, dimensions, and cross-sections shown on the plans.

MATERIALS

304-2.1 AGGREGATE. The aggregate shall be select granular materials, comprised of crushed or uncrushed gravel and/or stone, or recycled crushed and graded portland cement concrete (PCC). The material shall be free of roots, sod, and weeds. The crushed or uncrushed aggregate shall consist of hard, durable particles of accepted quality, free from an excess of soft, flat, elongated, or disintegrated pieces, and objectionable matter. The method used in producing the aggregate shall be such that the finished product is as consistent as practicable. All stones and rocks of inferior quality shall be wasted. When recycled PCC is used as the aggregate, it must meet the requirements for virgin aggregate.

The percentage of wear of the crushed aggregate retained on the No. 4 (4.75-mm) sieve shall not be greater than 40 percent when tested in accordance with ASTM C 131. The sodium sulfate soundness loss shall not exceed 10 percent, or the magnesium sulfate soundness loss shall not exceed 13 percent, after five cycles, when tested in accordance with ASTM C 88.

When tested in accordance with ASTM C 136, the aggregate shall conform to the gradations shown in Table 1. An aggregate blend that meets the requirements of Table 1 shall be selected by the Contractor and used in the final mix design. The final aggregate blend shall be well graded from coarse to fine within the limits designated in the table and shall not vary from the low limit on one sieve to the high limit on adjacent sieves, or vice versa. The portion of final aggregate blend passing the No. 40 (425- μ m) sieve shall have a liquid limit of not more than 25 and a plasticity index of not more than 6 when tested in accordance with ASTM D 4318.

Table 1. Aggregate gradation for CTB material.

Sieve Size	Percentage by Weight Passing Sieves	
	Gradation A	Gradation B
2 in (51 mm)	100 ¹	100 ¹
No. 4 (4.75 mm)	45 - 100	55 - 100
No. 10 (1.80 mm)	37 - 80	45 - 100
No. 40 (450 μ m)	15 - 50	25 - 80
No. 80 (210 μ m)	0 - 25	10 - 35

¹ Maximum size of aggregate is 1 in (25.4 mm) when used as a base course under Item P-501, Portland Cement Concrete Pavement.

All aggregate samples required for testing shall be furnished by the Contractor at the expense of the Contractor. Sampling shall be performed by the Contractor in accordance with ASTM D 75.

304-2.2 CEMENT. Cement shall conform to the requirements of ASTM [].

The Engineer shall specify ASTM C 150 Type I, II, III, IV, or V or ASTM C 595 Type IS, IS-A, IP, IP-A, P, or PA. Type II cement shall be specified in areas with a history of sulfate reaction with the selected aggregate.

304-2.3 CEMENTITIOUS ADDITIVES. Pozzolanic and ground granulated blast furnace (GGBF) slag may be added to the CTB mix. If used, each material must meet the following requirements:

- a. Pozzolan. Pozzolanic materials must meet the requirements of ASTM C 618, Class C, F, or N with the exception of loss of ignition, where the maximum shall be less than 6 percent for Class F or N. [The supplementary optional chemical and physical properties of tables 1A and 2A contained in ASTM C 618 shall apply].
- b. GGBF Slag. Slag shall conform to ASTM C 989, Grade 80, 100, or 120.

304-2.4 WATER. Water used in mixing or curing shall be clean and free of oil, salt, acid, alkali, sugar, vegetable, or other deleterious substances injurious to the finished product. Water shall be tested in accordance with the requirements of AASHTO T 26. Water known to be of potable quality may be used without testing.

304-2.5 CURING MATERIALS. Curing materials shall conform to the requirements provided below, as defined by the type of pavement surface to be placed on top of the CTB layer.

304-2.5.1 Portland Cement Concrete (PCC) Pavement. For curing CTB placed under PCC pavement, use white-pigmented, liquid membrane-forming compound conforming to ASTM C 309, Type 2, Class A or Class B (wax-based).

304-2.5.2 Hot Mix Asphalt (HMA) Pavement. For curing CTB placed under HMA pavement, use emulsified asphalt conforming to ASTM C 977 or ASTM D 2397 (Table 2).

If emulsified asphalt is allowed as a curing agent, the Engineer shall specify the type and grade of material to be used and the corresponding application temperature from Table 2.

Table 2. Emulsified asphalt curing material.

Type and Grade	Specification	Application Temperature	
		°F	°C
Emulsified Asphalt			
RS-1, SS-1	ASTM D 977	75 - 130	25 - 55
CRS-1	ASTM D 2397	75 - 130	25 - 55

304-2.6 SAND BLOTTER. If emulsified asphalt is used as a curing material, sand shall be applied, when required, for the prevention of pick-up of emulsion curing materials. The sand material shall be clean, dry, and non-plastic.

COMPOSITION OF MIXTURE

304-3.1 GENERAL. The CTB material shall be composed of a mixture of aggregate, [Portland cement] [blended hydraulic cement], and water. Fly Ash or GGBF slag may be used as a partial replacement for Portland cement.

304-3.2 MIX DESIGN. The mix design shall utilize a cement content that, when tested in the laboratory according to ASTM D 1633, produces a 7-day compressive strength meeting the following requirements:

- a. For CTB placed under PCC pavement: 500 psi (3,447 kPa) minimum and 1,000 psi (6,895 kPa) maximum.
- b. For CTB placed under HMA pavement: 750 psi (5,170 kPa) minimum and 1,000 psi (6,895 kPa) maximum.

In areas subject to considerable wet-dry and/or freeze-thaw cycles, insert the following statement:

“Wet-dry and/or freeze-thaw tests shall be performed in accordance with ASTM D 559 and D 560, respectively. The weight loss for each type of test shall not exceed 14 percent after 12 cycles. However, if a 7-day compressive strength of 750 psi (5,170 kPa) is achieved, the wet-dry and freeze-thaw tests are not necessary.”

An estimated cement content may be determined from Table 1, Chapter 2, of the Soil-Cement Laboratory Handbook, published by the Portland Cement Association (PCA). In designing the mixture, cement contents above and below the initial estimated amount should be tested to determine the minimum quantity of cement needed to achieve the required strength (or strength and durability where freeze-thaw resistance is deemed necessary by the Engineer).

The mix design shall include a complete list of materials, including type, brand, source, and amount of cement, fine aggregate, coarse aggregate, water, and cementitious additives, if used. It shall also contain the 7-day compressive strength test results and the results of the wet-dry and/or freeze-thaw tests.

Should a change be made in aggregate sources or type of cement, or if cementitious additives are added or deleted from the mix, production of the CTB mix shall be stopped and a new mix design shall be submitted.

304-3.3 SUBMITTALS. At least [] days prior to the placement of the CTB, the Contractor shall submit certified test reports to the Engineer for those materials proposed for use during construction, as well as the mix design information for the CTB material. Tests older than 6 months shall not be used. The certification shall show the ASTM or AASHTO specifications or tests for the material, the name of the company performing the tests, the date of the tests, the test results, and a statement that the material did or did not comply with the applicable specifications. The submittal package shall include the following:

- a. Sources of materials, including aggregate, cement, cementitious additives, curing, and bond-breaking materials.
- b. Physical properties of the aggregates, cement, cementitious additives, curing, and bond-breaking materials.
- c. Mix design
 - mix identification number.
 - aggregate gradation.
 - cement content.
 - water content.
 - cementitious materials content.

- d. Laboratory test results
 - compaction and strength testing procedures.
 - laboratory compaction characteristics (maximum dry density and optimum moisture content).
 - compressive strength at 7 days.
 - Wet-dry and/or freeze-thaw weight loss, if applicable.

No CTB material shall be placed until the submittal is accepted in writing by the Engineer.

During production, the Contractor shall submit batch tickets for each delivered load.

Insert the appropriate number of days for Contractor submittal of certified test reports for the proposed materials; 10 to 20 days is typical.

EQUIPMENT

All equipment necessary to mix, transport, place, compact, and finish the CTB material shall be furnished by the Contractor. The equipment shall be inspected and approved by the Engineer at the job site prior to the start of construction operations.

304-4.1 MIXING. The mixer shall be a batch or continuous-flow type stationary mixer and shall be equipped with calibrated metering and feeding devices that introduce the aggregate, cement, water, and cementitious additives (if used) into the mixer in the specified quantities. If necessary, a screening device shall be used to remove oversized material greater than 2 in (51 mm) from the raw aggregate feed prior to mixing.

Free access to the plant must be provided at all times for inspection of the plant’s equipment and operation and for sampling the CTB mixture and its components, as deemed necessary by the Engineer.

304-4.2 HAULING. The mixed CTB material shall be transported from the plant to the job site in trucks or other hauling equipment having beds that are smooth, clean, and tight. Truck bed covers shall be provided and used to protect the CTB from rain. CTB material that becomes wet during transport shall be subject to rejection.

304-4.3 PLACING. CTB material shall be placed using a mechanical spreader or a machine capable of receiving, spreading, and shaping the mixture without segregation into a uniform layer or lift. The equipment shall be equipped with a strike-off plate capable of being adjusted to the specified layer thickness. It shall also be equipped with two end gates or cut off plates, so that the CTB may be spread in widths varying up to lane width.

304-4.4 COMPACTION. Compaction of the CTB layer shall be accomplished using one or a combination of the following pieces of equipment:

- Tamping or grid roller.
- Steel-wheeled roller
- Vibratory roller.
- Pneumatic-tire roller.
- Vibrating plate compactor (for areas inaccessible to rollers).

The number, type, and weight of rollers and/or compactors shall be sufficient to compact the mixture to the required density.

304-4.5 FINISHING. Final trimming of the compacted CTB to meet surface requirements shall be accomplished using a self-propelled grader or trimming machine, with a mold board cutting edge, which is at least 12 ft (3.7 m) wide and is automatically controlled by sensors in conjunction with an independent grade control from a taut

stringline. Stringline will be required on both sides of the sensor controls for the pilot lane. For all other lanes, a single stringline on the outside and grade matching with previously completed adjacent lanes is permissible.

CONSTRUCTION METHODS

304-5.1 WEATHER LIMITATIONS.

304-5.1.1 Cold Weather. The CTB material shall not be mixed or placed while the air temperature is below 40°F (4°C) or when conditions indicate that the temperature may fall below 35°F (2°C) within 24 hours. The CTB shall not be placed on frozen surfaces.

304-5.1.1 Rain. The CTB may not be placed when rainfall is occurring. If an unexpected rain event occurs during placement, the layer should be quickly compacted. CTB material that becomes wet by rain during transport or placement shall be evaluated by the Engineer, and may be subject to rejection.

304-5.2 PREPARATION OF UNDERLYING COURSE. The underlying course shall be checked by the Engineer before placing and spreading operations are started, in order to ensure that it is free of any ruts, depressions, or bumps and is finished to the correct grade. Any ruts or soft yielding places caused by improper drainage conditions, hauling, or any other cause, shall be corrected before the CTB mixture is placed thereon. The underlying course shall be wetted in advance of placing the CTB layer. The final prepared grade prior to placing the CTB should be in a firm and moist condition free of frost. Use of chemicals to eliminate frost will not be permitted.

To ensure proper drainage, placement of the base shall begin along the centerline of the pavement on a crowned section or on the highest elevation contour of a pavement with variable cross slope.

304-5.3 GRADE CONTROL. Grade control between the edges of the CTB shall be accomplished at intervals of 50 ft (15.2 m) or less on the longitudinal grade and at 25 ft (7.6 m) or less on the transverse grade.

304-5.4 HANDLING, MEASURING, AND BATCHING. The continuous flow central plant site, layout, equipment, and provisions for transporting material shall assure a continuous supply of material to the work. Aggregate stockpiles shall be constructed in a manner that prevents segregation and intermixing of deleterious materials.

Aggregates that are segregated or mixed with earth or foreign material will not be accepted.

Continuous flow plants shall be equipped with feeders to proportion aggregates and bulk cement, by weight, automatically and accurately. When bulk cement is used, the Contractor shall use a suitable method of handling the cement from weighing hopper to transporting container or into the batch itself for transportation to the mixer, such as a chute, boot or other device, to prevent loss of cement. The device shall be arranged to provide positive assurance that the cement content specified is present in each batch.

304-5.5 MIXING. Aggregate and cement may be proportioned either by weight or volume, and shall be mixed sufficiently to prevent the forming of cement balls when water is added. The mixing time shall be that which is required to secure an intimate, uniform mixture of aggregate, cement, water, and pozzolan (if used). The minimum mixing time will be based on the uniformity and consistency of the mixture.

304-5.6 PLACING. The CTB mixture shall be deposited on the moistened subgrade or subbase and spread into a uniform layer of such width and thickness that, following compaction and trimming, conforms to the required grade and cross-section. The Contractor may install the CTB layer in single or multiple compacted lifts; however, each compacted lift must be no greater than 6 in (152 mm) thick. In multi-lift construction, the surface of the compacted lift shall be kept moist until covered with the next lift. Successive lifts shall be placed and compacted so that the required total depth of the CTB layer is completed within 12 hours.

A single spreader may be used, provided it is capable of placing a uniform, full-depth layer of material across the full width of the base in one pass. Otherwise, two or more spreaders will be required, and shall be operated so that spreading progresses along the full width of the base in a uniform manner.

304-5.7 COMPACTION. Immediately upon completion of the spreading operations, the CTB material shall be thoroughly compacted using approved compaction equipment. At the start of compaction, the moisture content shall be within 2 percentage points of the specified optimum moisture.

304-5.8 FINISHING. Upon completion of compaction, the surface of the CTB layer shall be shaped to the specified lines, grades, and cross-section. During the finishing process, the surface shall be kept moist by means of fog-type sprayers. Compaction and finishing shall be done in such a manner as to produce a smooth, dense surface, free of ruts, cracks, ridges, and loose material. All placement, compaction, and finishing operations shall be completed within 2 hours from the start of mixing. Material not completed within the 2-hour time limit shall be removed and replaced at the Contractor's expense.

CTB layer limits that extend beyond the edges of the new PCC surface course shall be rolled down or shaped in such a manner that the drainage is away from the new PCC surface course edge.

304-5.9 CONSTRUCTION JOINTS. At the end of each day's construction, a transverse construction joint shall be formed that is a true vertical face (perpendicular to the centerline) and is free of loose material.

Longitudinal construction joints (parallel to the centerline) shall be formed to a consistent, well-defined near vertical edge that is free of loose material. The longitudinal joints shall be located such that there is a 2-ft (0.6-m) minimum offset from planned joints in any overlying layer.

While forming construction joints, the Contractor shall make sure the material in the joint area is adequately compacted and that the joints are finished level and even with the remainder of the CTB layer.

304-5.10 CURING. The compacted and finished CTB shall be cured with the approved curing agents as soon as possible, and in no case later than 2 hours after completion of the finishing operations. The layer shall be kept moist using a moisture-retaining cover or a light application of water until the curing material is applied.

When asphalt emulsion is used as the curing agent, the entire surface of the CTB layer shall be uniformly sprayed with the emulsion at a rate of between 0.15 and 0.30 gal/yd² (0.7 and 1.4 L/m²); the exact temperature and rate of application being that required to achieve complete and uniform coverage without runoff. Should it be necessary for construction equipment or other traffic to use the asphalt-covered surface, sufficient sand blotter cover shall be applied to prevent pick-up.

When liquid membrane-forming curing compound is used as the curing agent, the entire surface of the CTB layer shall be uniformly sprayed with the compound at the rate of 1 gal (3.8 L) to not more than 200 ft² (18.6 m²). The rate of application shall be determined such that a uniform surface is obtained. The spraying equipment shall be of the fully atomizing type equipped with a tank agitator. The compound shall be thoroughly mixed with the pigment uniformly dispersed throughout the storage tank. During application, the compound shall be stirred continuously by effective mechanical means. Hand spraying of odd widths or shapes and CTB surfaces exposed by the removal of forms is permitted.

The curing seal shall be maintained and protected until the pavement is placed. Should the surface of the finished CTB and/or the curing seal become damaged, additional curing material shall be applied at the time it is damaged or when the damage is first observed.

304-5.11 PROTECTION. The Contractor shall protect the finished CTB against traffic. Completed portions of the CTB layer can be opened immediately to low-speed traffic and to construction equipment, provided the curing material is not damaged and the CTB is sufficiently stable to resist permanent deformation. Should the CTB be damaged, it shall be replaced using full-depth patches, and sprayed with the selected curing compound as described above. The CTB shall also be protected from freezing at all times.

304-5.12 BOND-BREAKER. When the CTB is to be placed directly beneath PCC, a bond-breaker selected by the Contractor shall be used. The entire surface of the CTB shall be coated with a de-bonding compound applied in a quality sufficient to prevent bonding of the PCC pavement to the base course. If an impervious membrane or asphalt emulsion is used as a curing material, additional applications of curing materials may be required. The Contractor shall be responsible for selecting the de-bonding compound and determining the necessary application rate. The de-bonding compound shall be approved by the Engineer prior to being incorporated into the work.

MATERIAL ACCEPTANCE

304-6.1 ACCEPTANCE SAMPLING AND TESTING. All acceptance sampling and testing, with the exception of thickness determination, necessary to determine conformance with the requirements specified in this section will be performed by the Engineer. The Contractor shall provide the required CTB samples during construction for acceptance testing purposes. The samples shall be taken in the presence of the Engineer.

Testing organizations performing these tests shall meet the requirements of ASTM D 3666. All test equipment in Contractor-furnished laboratories shall be calibrated by the testing organization prior to the start of operations.

The CTB layer shall be tested for density, thickness, grade, and surface tolerance on a lot basis, with a lot consisting of one of the following:

- One day's production not to exceed [2,000 yd² (1,675 m²)].
- A half day's production, where a day's production consists of [2,000 to 4,000 yd² (1,675 to 3,350 m²)].

Each lot shall be divided into four (4) equal sublots. Within each subplot, one (1) density test, one (1) thickness measurement, and continuous surface straightedge tests (surface tolerance testing) shall be performed, as described below. Sampling locations shall be determined by the Engineer in accordance with the random sampling procedures contained in ASTM D 3665.

In the event that only three (3) sublots are produced, the three sublots shall constitute a complete lot. If one (1) or two (2) sublots are produced for the same reason, they shall be incorporated into the next or previous lot, and the total number of sublots shall be used in the acceptance criteria calculation.

End-of-production sublots (i.e., sublots associated with the final placement of CTB for the project and are less than a complete lot) shall be handled as follows:

- Three (3) sublots shall constitute a lot.
- One (1) or two (2) sublots shall be incorporated into the previous lot.

304-6.1.1 Density Testing. CTB samples shall be taken from each subplot and used to create laboratory test specimens representing the various sublots. The specimens shall be compacted and tested for density and moisture content in accordance with ASTM D 558. Using the density results for each subplot comprising a lot, an average density for the lot shall be determined, which will serve as the basis for acceptance of the lot with regard to density.

Within each subplot in the field, one (1) in-place density test shall be performed in accordance with ASTM D 1556, ASTM D 2167, or ASTM D 2922 and ASTM D 3017. The location of the test shall be randomly selected in accordance with the procedures contained in ASTM D 3665. The in-place density results for each subplot comprising the lot shall then be averaged and compared with the corresponding average lot density. Acceptance criteria for CTB density are provided in paragraph 304-6.2.1.

304-6.1.2 Thickness Testing. The CTB shall be tested for thickness using the same lot and subplot designations established for density testing. After 3 days of curing, one (1) 4-in (102-mm) diameter core per subplot shall be obtained from a random location, as identified using the procedures contained in ASTM D 3665. The thickness of each sampled core shall be determined using the caliper measurement procedures provided in ASTM C 174. The average thickness for the lot shall be determined using the individual subplot core thicknesses. Acceptance criteria

for CTB thickness are provided in paragraph 304-6.2.2. At all locations where cores have been drilled, the resulting core holes shall be filled by the Contractor with CTB, HMA, or non-shrink grout.

304-6.1.3 Grade Testing. The elevations of the finished CTB shall be surveyed every 25 ft (7.6 m) on both sides of the CTB lane as soon as it has hardened sufficiently. Acceptance criteria for CTB grade are provided in paragraph 306-6.2.3.

304-6.1.4 Surface Tolerance Testing. As soon as the CTB has hardened sufficiently, it shall be tested for surface tolerance with a 16-ft (4.9-m) straightedge or other approved measuring device.

304-6.2 ACCEPTANCE CRITERIA. Acceptance of CTB will be based on density, thickness, grade, and surface tolerance, as described in the paragraphs below.

304-6.2.1 Density Requirements. With respect to density, each lot of compacted material will be accepted without adjustment if the average in-place density of the lot is equal to or greater than 98 percent of the average density determined for the lot. Each lot of compacted CTB shall be accepted and payment adjusted in accordance with Table 3.

Table 3. Sliding pay scale factors for density.

Average Dry Density (%)	Payment (%)
98.0 and greater	100
97.0 - 97.9	95
96.0 - 96.9	90
95.0 - 95.9	75
Less than 95.0	Reject

If the average density is below 95 percent, the lot will be rejected and shall be removed and replaced at the Contractor's expense. In multi-layer construction, density shall be tested for each lift, and all lifts within a rejected lot shall be removed and replaced. No payment shall be made for removed lifts. Replacement lifts shall be paid in accordance with this section.

304-6.2.2 Thickness Requirements. The completed thickness shall be as shown on the plans. When the average lot thickness is not deficient by more than $\frac{1}{2}$ in (12.5 mm) from the plan thickness, full payment shall be made. If the average lot thickness is deficient by more than 1 in (25.4 mm), it shall be removed and replaced at the Contractor's expense. When such measurement is deficient by more than $\frac{1}{2}$ in (12.5 mm) but less than 1 in (25.4 mm) from the plan thickness, one additional core shall be taken at random from each subplot within the lot. The thickness of these additional cores shall be determined as indicated in paragraph 304-6.1.2. A new average lot thickness shall be recomputed based on these additional cores and the original cores taken from each subplot. If the recomputed average lot thickness is not deficient by more than $\frac{1}{2}$ in (12.5 mm) from the plan thickness, full payment shall be made. If the average lot thickness is deficient by more than $\frac{1}{2}$ in (12.5 mm) from the plan thickness, the entire lot shall be removed and replaced at the Contractor's expense or shall be permitted to remain in-place at an adjusted payment of 75 percent of the contract unit price.

When the measured thickness is more than that indicated on the plans, it will be considered as conforming to the requirements, provided the surface of the completed CTB layer is within the established grade and surface tolerance requirements.

304-6.2.3 Grade Requirements. When the completed surface is higher than $\frac{1}{2}$ in (12.5 mm) above the grade shown in the plans, the surface shall be trimmed, at the Contractor's expense, with an approved grinding machine to an elevation that falls within a tolerance of $\frac{1}{4}$ in (6 mm) or less.

304-6.2.4 Surface Tolerance Requirements. The finished surface shall not vary more than $\frac{3}{8}$ in (9.5 mm) when tested with a 16-ft (4.9-m) straightedge applied parallel with, or at right angles to, the centerline of the CTB area. Areas in the CTB showing high spots greater than $\frac{3}{8}$ in (9.5 mm) over 16 ft (4.9 m) shall be marked and immediately trimmed with an approved grinding machine. Such trimming shall be at the Contractor's expense.

METHOD OF MEASUREMENT

304-7.1 CEMENT-TREATED BASE COURSE. The quantity of cement-treated base course to be paid for will be determined by measurement of the number of [yd² (m²)] of CTB actually constructed and accepted by the Engineer as complying with the plans and specifications.

BASIS OF PAYMENT

304-8.1 CEMENT-TREATED BASE COURSE. Payment shall be made at the contract unit price per [yd² (m²)] for cement-treated base course. This price shall be full compensation for furnishing all materials, including cement; for all preparation, manipulation, placing, and curing of these materials; and for all labor, equipment, tools, and incidentals necessary to complete the item.

Each lot of CTB material will be accepted for density at the full contract price adjusted in accordance with Table 3 in paragraph 304-6.2.1.

Payment will be made for cement-treated base course--per [yd² (m²)].

TESTING REQUIREMENTS

ASTM C 88	Soundness of Aggregates by Use of Sodium Sulfate or Magnesium Sulfate
ASTM C 131	Resistance to Degradation of Small-Size Coarse Aggregate by Abrasion and Impact in the Los Angeles Machine
ASTM C 136	Sieve or Screen Analysis of Fine and Coarse Aggregate
ASTM C 174	Measuring Thickness of Concrete Elements Using Drilled Concrete Cores
ASTM D 75	Sampling Aggregates
ASTM D 558	Moisture-Density Relations of Soil-Cement Mixtures
ASTM D 559	Test Methods for Wetting & Drying Compacted Soil Cement Mixtures
ASTM D 560	Freezing-and-Thawing Tests of Compacted Soil-Cement Mixtures
ASTM D 1556	Density of Soil in Place by the Sand-Cone Method
ASTM D 1633	Compressive Strength of Molded Soil-Cement Cylinders
ASTM D 2167	Density of Soil in Place by the Rubber-Balloon Method

- ASTM D 2922 Density of Soil and Soil-Aggregate in Place by Nuclear Methods
- ASTM D 3017 Water Content of Soil and Rock in Place by Nuclear Methods
- ASTM D 3665 Random Sampling of Paving Materials
- ASTM D 3666 Minimum Requirements for Agencies Testing and Inspecting Road and Paving Materials
- ASTM D 4318 Liquid Limit, Plastic Limit, and Plasticity Index of Soils
- AASHTO T 26 Quality of Water to be Used in Concrete

MATERIAL REQUIREMENTS

- ASTM C 150 Portland Cement
- ASTM C 309 Liquid Membrane-Forming Compounds for Curing Concrete
- ASTM C 595 Blended Hydraulic Cements
- ASTM C 618 Coal Fly Ash and Raw or Calcined Natural Pozzolan for Use as a Mineral Admixture in Concrete
- ASTM C 989 Ground Granulated Blast-Furnace Slag for Use in Concrete and Mortars
- ASTM D 977 Emulsified Asphalt
- ASTM D 2397 Cationic Emulsified Asphalt

End P-304

ITEM P-306 ECONOCRETE BASE COURSE

DESCRIPTION

306-1.1 This item shall consist of a subbase material, herein termed econocrete, that is composed of aggregate and cement uniformly blended together and mixed with water. The mixture may also include approved cementitious additives, in the form of fly ash or slag, and chemical admixtures. The mixed material shall be spread, shaped, and consolidated using concrete paving equipment in accordance with these specifications and in conformity to the lines, grades, dimensions, and typical cross-sections shown on the plans.

MATERIALS

306-2.1 AGGREGATE. The coarse aggregate fraction shall be crushed stone, crushed or uncrushed gravel, crushed and adequately seasoned, air-cooled, iron blast furnace slag, crushed recycled concrete, or a combination thereof. The fine aggregate fraction may be part of the natural aggregate blend as obtained from the borrow source or it may be natural sand that is added at the time of mixing.

The aggregate shall consist of hard, durable particles, free from an excess of flat, elongated, soft, or disintegrated pieces, or objectionable matter (e.g., roots, sod, weeds, organic impurities, etc.). A flat particle is one having a ratio of width to thickness greater than five; an elongated particle is one having a ratio of length to width greater than five.

The Engineer should specify limits for deleterious materials using guidance contained in ASTM C 33.

The design aggregate blend shall conform to one of the gradations shown in Table 1, when tested in accordance with ASTM C 136.

Table 1. Aggregate gradation for econocrete.

Sieve Size (square openings)	Percentage by Weight Passing Sieves	
	1½ -in (37.5-mm) Maximum	1-in (25-mm) Maximum
2 in (51 mm)	--	--
1½ in (37.5 mm)	100	--
1 in (25 mm)	70 - 95	100
¾ in (19 mm)	55 - 85	70 - 100
No. 4 (4.75 mm)	30 - 60	35 - 65
No. 40 (425 µm)	10 - 30	15 - 30
No. 200 (75 µm)	0 - 15	0 - 15

306-2.2 CEMENT. Cement shall conform to the requirements of ASTM [].

The Engineer shall specify ASTM C 150 Type I, II, III, IV, or V or ASTM C 595 Type IS, IS-A, IP, IP-A, P, or PA. Type II cement shall be specified in areas with a history of sulfate reaction with the selected aggregate.

306-2.3 CEMENTITIOUS ADDITIVES. Pozzolanic and ground granulated blast furnace (GGBF) slag may be added to the econocrete mix. If used, each material must meet the following requirements:

- a. Pozzolan. Pozzolanic materials must meet the requirements of ASTM C 618, Class F Flyash.
- b. Ground Granulated Blast Furnace Slag (Slag Cement). Slag shall conform to ASTM C 989, Grade 80, 100 or 120.

306-2.4 CHEMICAL ADMIXTURES. The Contractor shall submit certificates indicating that the material to be furnished meets all the requirements listed below. In addition, the Engineer may require the Contractor to submit complete test data showing that the material to be furnished meets all the requirements of the cited specification.

- a. Air-Entraining Admixtures. Air-entraining admixtures shall meet the requirements of ASTM C 260.
- b. Water-Reducing Admixtures. Water-reducing, set-controlling admixtures shall meet the requirements of ASTM C 494, Type A, water-reducing or Type D, water-reducing and retarding. Water-reducing admixtures shall be added at the mixer separately from air-entraining admixtures in accordance with the manufacturer's printed instructions. The air entrainment agent and the water-reducing admixture shall be compatible.

306-2.5 WATER. Water used in mixing or curing shall be clean and free of oil, salt, acid, alkali, sugar, vegetable, or other deleterious substances injurious to the finished product. Water will be tested in accordance with the requirements of AASHTO T 26. Water known to be of potable quality may be used without testing.

306-2.6 CURING MATERIALS. For curing econocrete, use white-pigmented, liquid membrane-forming compound conforming to ASTM C 309, Type 2, Class A or Class B (wax-based) or Asphalt emulsion conforming to the requirements of ASTM D 977, Type SS-1h..

The Engineer may add additional curing materials Modify the Bond Breaker paragraph accordingly.

COMPOSITION OF MIXTURE

306-3.1 MIX DESIGN. The econocrete mix design shall be based on trial batch results conducted in the laboratory. The econocrete shall be designed to meet the criteria in this section.

306-3.1.1 Compressive Strength. Compressive strength shall not be less than 500 psi (3,445 kPa) nor greater than 800 psi (5,516 kPa) at 7 days. 3-day and 7-day strengths shall be taken as the average of two compressive strength test results. All compressive strength specimens shall be prepared and tested in accordance with ASTM C 192 and ASTM C 39, respectively.

If the 3-day strength is greater than 500 psi (3,447 kPa), the Contractor shall construct transverse joints in the econocrete layer in accordance with paragraph 306-5.10.2.

In locations subject to freeze-thaw cycles, insert the following "The freeze-thaw weight loss shall not exceed 14 percent when tested in accordance with ASTM D 560."

If there is a change in aggregate sources, type of cement used, or pozzolanic materials, a new mix design must be submitted.

306-3.1.2 Air Content. The percentage of air entrainment shall be 6 percent, plus or minus 1/2 percent. Air content shall be determined by testing in accordance with ASTM C 231 for gravel and stone coarse aggregate and ASTM C 173 for slag and other highly porous coarse aggregate.

306-3.2 SUBMITTALS. At least [] days prior to the placement of the econocrete, the Contractor shall submit certified test reports to the Engineer for those materials proposed for use during construction, as well as the mix design information for the econocrete material. Tests older than 6 months shall not be used. The certification shall show the appropriate ASTM or AASHTO specifications or tests for the material, the name of the company performing the tests, the date of the tests, the test results, and a statement that the material did or did not comply with the applicable specifications. The submittal package shall include the following:

- a. Sources of materials, including aggregate, cement, admixtures, and curing and bond breaking materials.
- b. Physical properties of the aggregates, cement, admixtures, curing and bond breaking materials.
- c. Mix design.
 - mix identification number.
 - weight of saturated surface-dry aggregates (fine and coarse).
 - combined aggregate gradation.
 - cement factor.
 - water content.
 - water-cementitious material ratio (by weight).
 - volume of admixtures and yield for one cubic yard (cubic meter) of econocrete.
- d. Laboratory test results.
 - slump.
 - air content.
 - compressive strength at 3, 7, and 28 days (average values).
 - wet/dry and/or freeze-thaw weight loss (when applicable).

In addition, where applicable, the Contractor shall submit for approval by the Engineer a jointing plan for transverse joints in the econocrete layer.

During production, the Contractor shall submit batch tickets for each delivered load.

Insert the appropriate number of days for Contractor submittal of the certified test reports and the mix design; 15 to 30 days is typical.

EQUIPMENT

306-4.1 All equipment necessary to mix, transport, place, compact, and finish the econocrete material shall be furnished by the Contractor. The equipment shall be subject to inspection and approval by the Engineer.

306-4.2 MIXING. Econocrete may be mixed in a stationary mixer, either at a central batch plant or at the site, or in a truck mixer. The mixer type and capacity shall be inspected and approved by the Engineer before production begins. Each mixer shall have attached in a prominent place a manufacturer's nameplate showing the capacity of the drum in terms of volume of mixed concrete and the speed of rotation of the mixing drum or blades.

306-4.2.1 Stationary Plant Mixer. The batch plant and equipment shall conform to the requirements of ASTM C 94. Unrestricted access to the plant must be provided to the Engineer at all times for inspection of the plant's equipment and operation and for sampling the econocrete mixture and its components.

The mixers shall be examined daily for changes in condition due to accumulation of hard concrete or mortar or wear of blades.

306-4.2.2 Truck Mixers. Truck mixers used for mixing econocrete shall conform to the requirements of ASTM C 94. Econocrete may be entirely mixed in a truck mixer or partially mixed in a stationary mixer with mixing completed in a truck mixer. Truck mixers shall be equipped with an accurate continuous registering electronically or mechanically activated revolution counter, by which the number of drum revolutions may be verified.

306-4.3 HAULING. Mixed econocrete shall be hauled from the stationary plant to the job site in a truck agitator, a truck mixer operating at agitating speed, or a non-agitating truck. All equipment shall conform to the requirements of ASTM C 94. When truck mixers are used to mix econocrete, they may be transported to the job site in the same truck operating at agitating speeds, truck agitators, or a non-agitating truck. The bodies of non-agitating trucks shall be smooth, metal containers and shall be capable of discharging the concrete at a satisfactory controlled rate without segregation.

306-4.4 PLACING AND FINISHING.

306-4.1 Forms. Straight side forms shall be made of steel and shall be furnished in sections not less than 10 ft (3.1 m) in length. Forms shall have a depth equal to the pavement thickness at the edge. Flexible or curved forms of proper radius shall be used for curves of 100-ft (31-m) radius or less. Forms shall be provided with adequate devices for secure settings so that when in place they will withstand, without visible spring or settlement, the impact and vibration of the consolidating and finishing equipment. Forms with battered top surfaces and bent, twisted or broken forms shall not be used. Built-up forms shall not be used, except as approved by the Engineer.

The top face of the form shall not vary from a true plane more than $\frac{1}{8}$ in (3 mm) in 10 ft (3.1 m), and the upstanding leg shall not vary more than $\frac{1}{4}$ in (6 mm). The forms shall contain provisions for locking the ends of abutting sections together tightly for secure setting. Wood forms may be used under special conditions, when accepted by the Engineer.

306-4.4.2 Pavers. Econocrete can be placed using fixed forms or slip-form pavers. The paver shall be fully energized, self-propelled and capable of spreading, consolidating, and finishing the econocrete material, true to grade, tolerances, and cross sections. The paver shall be capable of finishing the surface so that hand finishing is not required. The paver shall be of sufficient weight and power to construct the maximum specified concrete paving lane width, at adequate forward speed, without transverse, longitudinal or vertical instability or without displacement. The slip-form paver shall be equipped with electronic or hydraulic horizontal and vertical control devices utilizing guide wires or stringlines on both sides of the machine. Slope control will not be allowed.

- a. Concrete Pavers. Concrete pavers are approved as paver-finishing machines for econocrete, providing they are capable of handling the amount of econocrete required for the full-lane width specified, and consolidating the econocrete full depth. A concrete paver is a power-driven machine with augers, strike-off and tamper bars ahead of a pan screed, with at least one trailing oscillating screed or belt finisher.
- b. Bridge Deck Pavers. Bridge deck pavers are approved as paver-finishing machines for econocrete, providing they are capable of handling the amount of econocrete required for the full-lane width specified, and consolidating the econocrete full depth. A bridge deck paver is an automatic truss paving machine, with paving carriage that strikes off, vibrates, paves, and textures the econocrete with augers, internal vibration, paving rollers, and drag pan.

Econcrete is a weak concrete mix. As such, it should be placed with pavers suitable for paving concrete pavements. Rotating pipe and tube floats are not suitable for this type of pavement.

306-4.5 CONSOLIDATION. For side-form construction, vibrators may be either the surface pan type for pavements less than 8 in (203 mm) thick or the internal type with either immersed tube or multiple spuds for the full width of the slab. They may be attached to the spreader or the finishing machine, or they may be mounted on a separate carriage. They shall not come in contact with the joint, subgrade, or side forms.

For slip-form construction, the paver shall vibrate the econcrete for the full width and depth of the strip of pavement being placed. Vibration shall be accomplished by internal vibrators.

The number, spacing, frequency, and eccentric weights of vibrators shall be provided as necessary to achieve acceptable consolidation without segregation and finishing quality. Adequate power to operate all vibrators at the weight and frequency required for a satisfactory finish shall be available on the paver. The internal vibrators may be supplemented by vibrating screeds operating on the surface of the econcrete. The Contractor shall constantly monitor the frequency of each of the individual vibrators using electronic means and shall provide constant monitoring of the consolidation process to avoid honeycombing or segregation. Areas that are visually determined to be honeycombed or over-consolidated shall be corrected at the Contractor's expense.

The vibrators and tamping elements shall be automatically controlled so that they stop operation as forward motion ceases. Any override switch shall be of the spring-loaded, momentary-contact type.

Hand held vibrators may be used in irregular areas.

306-4.6 JOINTING. The Contractor shall provide sawing equipment adequate in number of units and power to produce contraction or construction joints of the required dimensions as shown on the plans. The Contractor shall provide at least one standby saw in good working order and a supply of saw blades at the site of the work at all times during sawing operations.

CONSTRUCTION METHODS

306-5.1 WEATHER LIMITATIONS.

306-5.1.1 Cold Weather. Unless authorized by the Engineer, the temperature of the mixed econcrete shall not be less than 50°F (10°C) at the time of placement. In addition, the econcrete shall not be placed when the ambient temperature is below 40°F (4°C) or when conditions indicate that the temperature may fall below 35°F (2°C) within 24 hours. Under no circumstances shall the econcrete be placed on frozen underlying courses or mixed when the aggregate is frozen.

When mixing and placing is authorized during cold weather, the Engineer may require the water and/or the aggregates to be heated to not less than 70°F (20°C) nor more than 150°F (66°C). The aggregates may be heated by either steam or dry heat prior to being placed in the mixer. The apparatus used shall heat the mass uniformly and shall be arranged to preclude the possible occurrence of overheated areas which might be detrimental to the materials.

306-5.1.2 Hot Weather. To prevent rapid drying of newly constructed econcrete, the econcrete temperature from initial mixing through final cure shall not exceed 90°F (32°C). The aggregates and/or mixing water shall be cooled as necessary to maintain the econcrete temperature at or not more than the specified maximum. Ice or ice water may be substituted for the mixing water for this purpose.

In addition, during periods of warm weather when the maximum daily air temperature exceeds 85°F (30°C), the forms and/or the underlying material shall be sprinkled with water immediately before placing the econcrete.

306-5.1.3 Rain. All mixing and batching operations should be halted during rain showers and any plastic econocrete placed should be covered immediately. The econocrete shall be kept covered with plastic sheeting or other waterproof material until such time that the rain does not make any surface indentation on the econocrete layer. Areas damaged by rain shall be refinished or replaced.

306-5.2 FORM SETTING. Forms shall be set sufficiently in advance of the econocrete placement to ensure continuous paving operation. After the forms have been set to correct grade, the grade shall be thoroughly tamped, either mechanically or by hand, at both the inside and outside edges of the base of the forms. Forms shall be staked into place with not less than 3 pins for each 10-ft (3.1-m) section. A pin shall be placed at each side of every joint.

Form sections shall be tightly locked and shall be free from play or movement in any direction. The forms shall not deviate from true line by more than $\frac{1}{4}$ in (6 mm) at any joint. Forms shall be so set that they will withstand, without visible spring or settlement, the impact and vibration of the consolidating and finishing equipment. Forms shall be cleaned and oiled prior to the placing of econocrete.

The alignment and grade elevations of the forms shall be checked and corrections made by the Contractor immediately before placing the econocrete. When any form has been disturbed or any grade has become unstable, the form shall be reset and rechecked.

306-5.3 PREPARATION OF UNDERLYING COURSE. The underlying course shall be checked by the Engineer before placing and spreading operations are started, in order to ensure that it is free of any ruts, depressions, or bumps and is finished to the correct grade. Any ruts or soft yielding places in the underlying course caused by improper drainage conditions, hauling, or any other cause, shall be corrected at the Contractor's expense before the econocrete mixture is placed thereon. The underlying course should be wetted down in advance of placing the econocrete to ensure a firm, moist condition at the time of econocrete placement. The underlying course shall be protected from frost. Usage of chemicals to eliminate frost is not permissible.

306-5.4 GRADE CONTROL. Grade control between the edges of the pavement shall be accomplished at intervals of 50 ft (15.3 m) or less on the longitudinal grade and at 25 ft (7.6 m) or less on the transverse grade. To protect the underlying course and ensure proper drainage, the econocrete paving shall begin along the centerline of the pavement on a crowned section or on the greatest contour elevation of a pavement with variable cross slope.

306-5.5 HANDLING, MEASURING, AND BATCHING MATERIAL. The batch plant site, layout, equipment, and provisions for transporting material shall assure a continuous supply of material to the work. Stockpiles shall be constructed in a manner that prevents segregation and intermixing of deleterious materials.

Aggregates that have become segregated or mixed with earth or foreign material shall not be used. All aggregates produced or handled by hydraulic methods, and washed aggregates, shall be stockpiled or binned for draining at least 12 hours before being batched. Rail shipments requiring more than 12 hours transit will be accepted as adequate binning only if the car bodies permit free drainage.

Batching plants shall be equipped to proportion aggregates and bulk cement, by weight, automatically using interlocked proportioning devised of an approved type. When bulk cement is used, the Contractor shall use a suitable method of handling the cement from weighing hopper to transporting container or into the batch itself for transportation to the mixer, such as a chute, boot or other device approved by the Engineer, to prevent loss of cement. The device shall be arranged to provide positive assurance that the required cement content is present in each batch.

306-5.6 MIXING. All econocrete shall be mixed and delivered to the site in accordance with the requirements of ASTM C 94. The mixing time should be adequate to produce econocrete that is uniform in appearance, with all ingredients evenly distributed. Mixing time shall be measured from the time all materials are emptied into the drum (provided all the water is added before one-fourth the preset mixing time has elapsed) and continues until the time the discharge chute is opened to deliver the econocrete.

If mixing in a plant, the mixing time shall not be less than 50 nor greater than 90 seconds. If mixing in a truck, the mixing time shall not be less than 70 nor more than 125 truck-drum revolutions at a mixing speed of not less than 6 nor more than 18 truck-drum revolutions per minute.

Retempering econocrete by adding water or by other means will not be permitted, except when econocrete is delivered in truck mixers. With truck mixers, additional water may be added to the batch materials and additional mixing performed to allow proper placement of the material, provided (a) the addition of water is performed within 45 minutes after the initial mixing operations and (b) the water/cementitious ratio specified in the mix design is not exceeded.

306-5.7 HAULING. The elapsed time from the addition of cementitious material to the mix until the econocrete is deposited in place at the work site shall not exceed 45 minutes when the concrete is hauled in nonagitating trucks, nor 90 minutes when it is hauled in truck mixers or truck agitators.

306-5.8 PLACING, CONSOLIDATING, AND FINISHING. Prior to placement of the econocrete layer, the prepared underlying course shall be well moistened with water, without saturating, in order to prevent rapid loss of moisture from the econocrete. In cold weather, the underlying course shall be protected so that it will be entirely free of frost when econocrete is placed.

The Contractor has the option of side- (fixed-) form or slip-form paving. Under both techniques, the hauled econocrete material shall be discharged onto the prepared underlying course such that segregation of the mix is minimized and minimum handling of the mix is needed. Placement of the econocrete material shall be continuous between construction joints. Workers shall not be allowed to walk in the freshly mixed econocrete with boots or shoes coated with earth or debris.

Econocrete shall not be mixed, placed, or finished when the natural light is insufficient, unless an adequate artificial lighting system is provided.

306-5.8.1 Side-Form Construction. For side-form placement, the Contractor shall verify the elevations of the fixed forms such that the thickness and finished grade of the econocrete layer will be in accordance with the requirements of the project plans and specifications. The econocrete shall be spread uniformly between the forms, immediately after it is placed using a spreading machine. Necessary hand spreading shall be done with shovels, not rakes.

The spreading shall be followed immediately by thorough consolidation using vibrating screeds or spud vibrators. Vibrators may be external or internal type, depending on the thickness of the econocrete layer. The surface vibrators may be attached to the spreader or they may be mounted on a separate carriage. They shall not come in contact with the joint, subgrade, or side forms. When spud vibrators are used, the econocrete shall be thoroughly consolidated against and along the faces of all forms and previously placed econocrete. Vibrators shall not be permitted to come in contact with a joint assembly, the grade, or a side form. In no case shall the vibrator be operated longer than 20 seconds in any one location, nor shall the vibrators be used to move the econocrete.

Hand finishing will not be permitted except in areas where the mechanical finisher cannot operate.

306-5.8.2 Slip-Form Construction. For slip-form construction, the Contractor shall verify the elevations of the guide wires controlling slip-form pavers such that the thickness and finished grade of the econocrete will be in accordance with the requirements of the project plans and specifications. The slip-form paver should spread, consolidate, and shape the freshly placed econocrete in one complete pass of the machine. The machine shall vibrate and finish the econocrete for the full width and depth of the layer.

306-5.9 Final Finishing. Final finishing shall be accomplished while the econocrete is still in the plastic state. Limited surface refinishing by hand is acceptable to meet the grade and surface tolerance established in paragraphs 306-6.2.3 and 306-6.2.4, after strike off and consolidation.

If the overlying layer is to be PCC pavement, the surface of the econocrete shall not be textured. If the overlying layer is to be HMA pavement, and if the bond between the HMA layer and the econocrete is considered important for pavement performance, tining or scarifying the surface to provide a coarse texture may be permitted.

306-5.10 JOINTS. Joints shall be constructed as shown on the plans.

306-5.10.1 Construction Joints. Locate all longitudinal and transverse construction joints as shown on the plans. If longitudinal joints are not shown, locate longitudinal joints within 6 in (152 mm) from planned joints in the PCC to be placed over the econocrete.

306-5.10.2 Contraction Joints. If required by paragraph306-3.1.1or if shown on the plans, transverse contraction joints shall be constructed by sawing the hardened econocrete to a depth of at least one-third the thickness of the econocrete base. These joints shall match within 3 in (76 mm) the planned joints of the overlying concrete surface.

The Engineer should include a note or detail on the plans when joints are required due to excessive strength or otherwise.

306-5.10.3 Concrete Saws. When sawing of joints are specified, the Contractor shall provide sawing equipment adequate in number of units and power to complete the sawing to the required dimensions and at the required rate. The Contractor shall provide at least one standby saw in good working order. An ample supply of saw blades shall be maintained at the site of the work at all times during sawing operations. The Contractor shall provide adequate artificial lighting facilities for night sawing. All of this equipment shall be on the job both before and at all times during econocrete placement.

306-5.11 CURING. Immediately after the finishing operations are complete and within 2 hours of placement of the econocrete, the entire surface and edges of the newly placed econocrete shall be sprayed uniformly with white pigmented, liquid membrane forming curing compound. The layer should be kept moist using a moisture-retaining cover or a light application of water until the curing material is applied. The curing compound shall not be applied during rainfall.

Excessive delays in applying the curing compound can result in uncontrolled shrinkage cracking, which can reflect into the overlying pavement over time.

The curing material shall be applied using mechanical sprayers under pressure at the rate of 1 gal (3.8 L) to not more than 200 ft² (18.6 m²). The spraying equipment shall be of the fully atomizing type equipped with a tank agitator. At the time of use, the compound in the tank shall be in a thoroughly mixed condition with the pigment uniformly distributed throughout the vehicle. During application the compound shall be stirred continuously by mechanical means.

Hand spraying of odd widths or shapes and econocrete surfaces exposed by the removal of forms is permitted.

Should the film of curing material become damaged from any cause, including sawing operations, within the required 28-day curing period or until the overlying course is constructed, the damaged portions shall be repaired immediately with additional compound or other approved means as quickly as practical.

Edges of the econocrete layer shall be sprayed with curing compound immediately following placement with slip-form pavers or when side-forms are removed.

306-5.11.1 Curing in Cold Weather. The econocrete shall be maintained at a temperature of at least 50°F (10°C) for a period of 72 hours after placing and at a temperature above freezing for the remainder of the curing time. The Contractor shall be responsible for the quality and strength of the econocrete placed during cold weather, and any econocrete injured by frost action shall be removed and replaced at the Contractor's expense.

306-5.11.2 Curing in Hot Weather. When econocrete is being placed and the air temperature may be expected to rise above 90°F (32°C) shortly after placement, the econocrete layer should be cured as quickly as possible to allow curing without the formation of excessive shrinkage cracks.

306-5.12 PROTECTION. The Contractor shall protect the pavement and its appurtenances against both public traffic and traffic caused by the Contractor's employees and agents. The Engineer shall decide when the pavement shall be opened to traffic. Traffic shall not be allowed on the pavement until test specimens molded and cured in accordance with ASTM C 31 have attained a compressive strength of 350 psi (2,413 kPa) when tested by ASTM C 39. The econocrete surface shall be protected from foot and vehicular traffic and other sources of abrasion until such a time. During this time, the econocrete layer shall be protected from injurious action by sun, rain, flowing water, frost, or mechanical injury. After this period, construction traffic to place the overlying layers may be allowed.

306-5.13 BOND-BREAKER. When the econocrete is to be placed directly beneath PCC pavement, a bond-breaker shall be used. The entire surface of the econocrete shall be coated with a de-bonding compound applied in a quality sufficient to prevent bonding of the PCC pavement to the econocrete. If an impervious membrane or asphalt emulsion is used as a curing material, additional applications of curing materials may be required. The Contractor shall be responsible for selecting the de-bonding compound and determining the necessary application rate. The de-bonding compound shall be approved by the Engineer prior to being incorporated into the work. This application shall be made at least 8 hours and not more than 24 hours prior to beginning the placement of the PCC pavement. The rate of application shall be the same as that specified for the curing application. After application of the bond-breaker coat, traffic will be limited to that required for the placement of the overlying pavement layer.

MATERIAL ACCEPTANCE

306-6.1 ACCEPTANCE SAMPLING AND TESTING. All acceptance sampling and testing, with the exception of coring for thickness determination, necessary to determine conformance with the requirements specified in this section will be performed by the Engineer. The Contractor shall provide the required econocrete samples during construction for acceptance testing purposes. The samples shall be taken in the presence of the Engineer.

The econocrete layer shall be tested for air content, strength, thickness, grade, and surface tolerance. Sampling and testing for air shall be as specified in paragraph 306-6.1.1. Sampling and testing for strength, thickness, grade, and surface tolerance shall be on a lot basis, with a lot consisting of one of the following:

- One day's production not to exceed 2,000 yd² (1,675 m²).
- A half day's production, where a day's production is expected to consist of between 2,000 and 4,000 yd² (1,675 and 3,350 m²).

Each lot will be divided into four equal sublots. In the event that only three (3) sublots are produced, the three sublots shall constitute a complete lot. If, only one (1) or two (2) sublots are produced, they shall be incorporated into the next lot, and the total number of sublots shall be used in the acceptance plan calculation.

End-of-production sublots (i.e., sublots associated with the final placement of econocrete for the project and are less than a complete lot) shall be handled as:

- Three (3) sublots shall constitute a lot.
- One (1) or (2) sublots shall be incorporated into the previous lot.

306-6.1.1 Air Content Testing. Air content tests shall be performed on the first three truckloads of econocrete produced at the start of operations each day and the first three truckloads produced after any scheduled or non-

scheduled shutdown. Additional tests shall be performed each time a sample is taken for a strength test and when requested by the Engineer.

Air content tests shall be made in accordance with ASTM C 231. Air content test results shall be between 4 and 8 percent.

If the first test on a truckload of econocrete is not within the specification limits, a second test on the same truckload shall be made. If the second test is within the specification limits, the econocrete will be accepted with respect to entrained air content. If the second test is not within the specification limits, the truckload shall be rejected.

306-6.1.2 Compressive Strength Testing. One sample of freshly delivered econocrete shall be taken from each subplot for compressive strength testing. The econocrete shall be sampled in accordance with ASTM C 172. Sampling locations shall be determined in accordance with the random sampling procedures contained in ASTM D 3665.

At least two (2) test cylinders shall be made from each sample in accordance with ASTM C 31. The 7-day compressive strength of each cylinder shall be determined in accordance with ASTM C 39.

Since the strength level of econocrete at an early age is considerably lower than PCC, special care is required in handling test specimens.

The Contractor shall provide adequate facilities for the initial curing of cylinders. During the 24 hours after molding, the temperature immediately adjacent to the specimens must be maintained in the range of 60 to 80°F (16 to 27°C), and loss of moisture from the specimens must be prevented. The specimens may be stored in tightly constructed wooden boxes, damp sand pits, temporary buildings at construction sites, under wet burlap in favorable weather or in heavyweight closed plastic bags, or use other suitable methods, provided the temperature and moisture loss requirements are met.

The compressive strength for each subplot shall be computed by averaging the 7-day compressive strengths of the two test cylinders representing that subplot. The compressive strength of the lot shall be the average compressive strength of the individual sublots comprising the lot.

Specimens that are noticeably defective shall not be considered in the determination of the strength. If the test specimens fail to conform to the requirements for strength, the Engineer shall request changes in the econocrete mixture to increase the strength to meet the requirements.

If the maximum 7-day compressive strength values exceed the maximum strength requirements when evaluated in accordance with paragraph 306-6-2.1, the Contractor shall propose a jointing plan for approval by the Engineer.

306-6.1.3 Thickness Testing. After the econocrete base has cured for 3 days, one (1) 4-in (102-mm) diameter core per subplot shall be obtained from a random location, as identified using the procedures contained in ASTM D 3665. The thickness of each sampled core shall be determined using the caliper measurement procedures provided by ASTM C 174. The average thickness for the lot shall be determined using the individual subplot core thicknesses. Acceptance criteria for econocrete thickness are provided in paragraph 306-6.2.2.

When such measurement is deficient more than ½ in (12.5 mm) and not more than 1 in (25.4 mm) from the plan thickness, two additional cores shall be taken at random and used in determining the average thickness for that lot. The thickness of the cores shall be determined by average caliper measurement of cores tested in accordance with ASTM C 174.

At all locations where cores have been drilled, the resulting holes shall be filled with econocrete or non-shrink grout material, as approved by the Engineer.

306-6.1.4 Grade Testing. The elevations of the finished econocrete shall be surveyed on both sides of the econocrete lane, every 25 ft (7.6 m).

306-6.1.5 Surface Tolerance Testing. After the econocrete has hardened sufficiently, it shall be tested for surface tolerance with a 16-ft (4.9-m) straightedge provided by the Contractor.

306-6.2 ACCEPTANCE CRITERIA. Acceptance of econocrete will be based on compressive strength, thickness, grade, and surface tolerance, as described in the paragraphs below.

306-6.2.1 Compressive Strength Requirements. The econocrete shall meet all of the following compressive strength requirements on a lot basis:

- The compressive strength of the lot, tested at 7 days, shall be greater than 500 psi (3,445 kPa). When a given lot of econocrete fails to meet the minimum compressive strength requirements, the entire lot shall be replaced at the Contractor's expense.
- Not more than 20 percent of the individual cylinders in a given lot, tested at 7 days, shall have a compressive strength greater than 800 psi (5,512 kPa). When greater than 20 percent of the individual cylinders in a given lot have 7-day compressive strengths in excess of 800 psi (5,512 kPa), and transverse joints have not been constructed, a bond-breaker shall be used.

306-6.2.2 Thickness Requirements. The completed thickness shall be as shown on the plans. When the average lot thickness is not deficient by more than $\frac{1}{2}$ in (12.5 mm) from the plan thickness, full payment shall be made. If the lot average thickness is deficient by more than 1 in (25.4 mm), it shall be removed and replaced at the Contractor's expense. When such measurement is deficient more than $\frac{1}{2}$ in (12.5 mm) and not more than 1 in (25.4 mm) from the plan thickness, one additional core shall be taken at random from each subplot within the lot. The thickness of these additional cores shall be determined as indicated in paragraph 304-6.1.2. A new lot average thickness shall be recomputed based on these additional cores and the original cores taken from each subplot. When the recomputed average lot thickness is not deficient by more than $\frac{1}{2}$ in (12.5 mm) from the plan thickness, full payment shall be made. If the average lot thickness is deficient by more than $\frac{1}{2}$ in (12.5 mm) from the plan thickness, the entire lot shall be removed and replaced at the Contractor's expense or shall be permitted to remain in place at an adjusted payment of 75 percent of the contract unit price.

When the measured thickness is more than that indicated on the plans, it will be considered as conforming to the requirements, provided the surface of the completed econocrete layer is within the established grade and surface tolerance requirements.

306-6.2.3 Grade Requirements. When the completed surface is more than $\frac{1}{2}$ in (12.5 mm) above the grade shown in the plans, the surface shall be trimmed at the Contractor's expense using an approved grinding machine to an elevation that falls within a tolerance of $\frac{1}{4}$ in (6 mm). The ground surface shall be sprayed with curing compound at double the rate specified prior to paving.

306-6.2.4 Surface Tolerance Requirements. Surface deviations shall not exceed $\frac{3}{8}$ in (9.5 mm) from a 16-ft (4.9-m) straightedge laid in any location parallel with or at right angles to the longitudinal axis of the centerline (includes along all edges of the paving lane). Any high spots of more than $\frac{3}{8}$ in (9.5 mm) in 16 ft (4.9 m) shall be marked and immediately trimmed with an approved grinding machine. If the overlying layer is PCC pavement, the ground surface shall be sprayed with a double application of the curing compound at the specified rate prior to paving.

METHOD OF MEASUREMENT

306-7.1 The quantity of econocrete to be paid for will be determined by the number of [yd² (m²)] of econocrete actually constructed and accepted by the Engineer as complying with the plans and specifications.

BASIS OF PAYMENT

306-8.1 The accepted quantities of econocrete will be paid for at the contract unit price per [yd² (m²)] for econocrete base. The price and payment shall be full compensation for furnishing and placing all materials, provided; however, for any pavement found deficient in thickness as specified in paragraph 306-6.2.2, the reduced unit price shall be paid.

Payment will be made for econocrete base course--per [yd² (m²)].

TESTING REQUIREMENTS

ASTM C 31	Making and Curing Concrete Test Specimens in the Field
ASTM C 39	Compressive Strength of Cylindrical Concrete Specimens
ASTM C 136	Sieve or Screen Analysis of Fine and Course Aggregates
ASTM C 172	Sampling Freshly Mixed Concrete
ASTM C 173	Air Content of Freshly Mixed Concrete by the Volumetric Method
ASTM C 174	Measuring Length of Drilled Concrete Cores
ASTM C 192	Making and Curing Concrete Test Specimens in the Laboratory
ASTM C 231	Air Content of Freshly Mixed Concrete by the Pressure Method
ASTM D 560	Standard Test Methods for Freezing and Thawing Compacted Soil-Cement Mixtures
ASTM D 3665	Random Sampling of Paving Materials
AASHTO T 26	Quality of Water to be Used in Concrete

MATERIAL REQUIREMENTS

ASTM C 33	Specification for Concrete Aggregates
ASTM C 94	Specification for Ready-Mixed Concrete
ASTM C 150	Specification for Portland Cement
ASTM C 260	Specification for Air-Entraining Admixtures for Concrete
ASTM C 309	Specification for Liquid Membrane-Forming Compounds for Curing Concrete
ASTM C 494	Specification for Chemical Admixtures for Concrete
ASTM C 595	Standard Specification for Blended Hydraulic Cements
ASTM C 618	Specification for Fly Ash and Raw and Calcined Natural Pozzolans for Use in Portland Cement Concrete
ASTM C 989	Standard Specification for Ground Granulated Blast-Furnace Slag for Use in Concrete and Mortars

END P-306

**PART V – FLEXIBLE SURFACE COURSES
ITEM P-401 PLANT MIX BITUMINOUS PAVEMENTS**

DESCRIPTION

401-1.1 This item shall consist of pavement courses composed of mineral aggregate and bituminous material mixed in a central mixing plant and placed on a prepared course in accordance with these specifications and shall conform to the lines, grades, thicknesses, and typical cross sections shown on the plans. Each course shall be constructed to the depth, typical section, and elevation required by the plans and shall be rolled, finished, and approved before the placement of the next course.

This specification is intended to be used for the surface course for airfield flexible pavements subject to aircraft loadings of gross weights greater than 12,500 pounds (5670 kg) and is to apply within the limits of the pavement designed for full load bearing capacity.

The dimensions and depth of the “surface course” for which this specification applies shall be that as is defined by the Engineer’s pavement design as performed in accordance with FAA Advisory Circular 150/5320-6, current edition.

For courses other than the surface course, such as stabilized base courses, binder courses and/or truing and leveling courses; for pavements designed to accommodate aircraft gross weights of 12,500 pounds (5670 kg) or less; and for pavements intended to be used for roads, shoulder pavements, blast pads, and other pavements not subject to full aircraft loading, specification Item P-403 may be used.

State highway department specifications may be used for shoulders, access roads, perimeter roads, stabilized base courses under Item P-501, and other pavements not subject to aircraft loading. When state highway specification are approved, include all applicable/approved state specifications in the contract documents.

MATERIALS

401-2.1 AGGREGATE. Aggregates shall consist of crushed stone, crushed gravel, or crushed slag with or without natural sand or other inert finely divided mineral aggregate. The portion of combined materials retained on the No. 4 (4.75 mm) sieve is coarse aggregate. The portion of combined materials passing the No. 4 (4.75 mm) sieve and retained on the No. 200 (0.075 mm) sieve is fine aggregate, and the portion passing the No. 200 (0.075 mm) sieve is mineral filler.

a. Coarse Aggregate. Coarse aggregate shall consist of sound, tough, durable particles, free from adherent films of matter that would prevent thorough coating and bonding with the bituminous material and be free from organic matter and other deleterious substances. The percentage of wear shall not be greater than 40 percent when tested in accordance with ASTM C 131. The sodium sulfate soundness loss shall not exceed 10 percent, or the magnesium sulfate soundness loss shall not exceed 13 percent, after five cycles, when tested in accordance with ASTM C 88.

Aggregates with a higher percentage loss of wear or soundness may be specified in lieu of those above, provided a satisfactory service record under similar conditions of service and exposure has been demonstrated.

Aggregate shall contain at least [] percent by weight of individual pieces having two or more fractured faces and [] percent by weight having at least one fractured face. The area of each face shall be equal to at least 75 percent of the smallest midsectional area of the piece. When two fractured faces are contiguous, the angle between the planes of fractures shall be at least 30 degrees to count as two fractured faces. Fractured faces shall be obtained by crushing.

For pavements designed for aircraft gross weights of 60,000 pounds (27 200 kg) or more, the Engineer shall specify 70 percent for two fractured faces and 85 percent for one fractured face. For pavements designed for aircraft gross weights less than 60,000 pounds (27 200 kg), the Engineer shall specify 50 percent for two fractured faces and 65 percent for one fractured face.

In areas where slag is not available or desired, the references to it should be deleted from all aggregate paragraphs.

The aggregate shall not contain more than a total of 8 percent, by weight, of flat particles, elongated particles, and flat and elongated particles, when tested in accordance with ASTM D 4791 with a value of 5:1.

The Engineer may specify ASTM D 4791 with a ratio of 3:1. If so, replace the above paragraph as follows: "The aggregate shall not contain more than a total of 20 percent by weight of flat particles, elongated particles, and flat and elongated particles when tested in accordance with ASTM D4791 with a value of 3:1."

Slag shall be air-cooled, blast furnace slag, and shall have a compacted weight of not less than 70 pounds per cubic foot (1.12 mg/cubic meter) when tested in accordance with ASTM C 29.

b. Fine Aggregate. Fine aggregate shall consist of clean, sound, durable, angular shaped particles produced by crushing stone, slag, or gravel that meets the requirements for wear and soundness specified for coarse aggregate. The aggregate particles shall be free from coatings of clay, silt, or other objectionable matter and shall contain no clay balls. The fine aggregate, including any blended material for the fine aggregate, shall have a plasticity index of not more than 6 and a liquid limit of not more than 25 when tested in accordance with ASTM D 4318.

Natural (nonmanufactured) sand may be used to obtain the gradation of the aggregate blend or to improve the workability of the mix. The amount of sand to be added will be adjusted to produce mixtures conforming to requirements of this specification. **[The fine aggregate shall not contain more than 15 percent natural sand by weight of total aggregates.]** If used, the natural sand shall meet the requirements of ASTM D 1073 and shall have a plasticity index of not more than 6 and a liquid limit of not more than 25 when tested in accordance with ASTM D 4318.

The aggregate shall have sand equivalent values of [] or greater when tested in accordance with ASTM D 2419.

Typically the sand equivalent value should be 45, unless local conditions require lower value.

The addition of natural sand to a mix containing all crushed coarse and fine aggregates will normally increase its workability and compactability. However, the addition of excessive amounts of natural sand tends to decrease the stability of the mixture. The requirement for a sand equivalent value of 45 usually limits the use of natural sand; however, the maximum of 15 percent natural sand may be included for locations where low stabilities are a chronic problem.

c. **Sampling.** ASTM D 75 shall be used in sampling coarse and fine aggregate, and ASTM C 183 shall be used in sampling mineral filler.

401-2.2 MINERAL FILLER. If filler, in addition to that naturally present in the aggregate, is necessary, it shall meet the requirements of ASTM D 242.

401-2.3 BITUMINOUS MATERIAL. Bituminous material shall conform to the following requirements: [].

Asphalt cement binder shall conform to [AASHTO M320 Performance Grade (PG) [____]] [ASTM D 3381 Table 1, 2, or 3 Viscosity Grade][ASTM D 946 Penetration Grade [____]]. Test data indicating grade certification shall be provided by the supplier at the time of delivery of each load to the mix plant. Copies of these certifications shall be submitted to the Engineer. The Engineer shall specify the grade of bituminous material, based on geographical location and climatic conditions. Asphalt Institute Superpave Series No. 1 (SP-1) provides guidance on the selection of performance graded binders. Table VI-1, Selecting Asphalt Grade, contained in the Asphalt Institute's Manual Series-1 (MS-1) provides guidance on the selection of asphalt type. For cold climates, Table 2 of ASTM D 3381 may be specified to minimize the susceptibility for thermal cracking. The Engineer should be aware that PG asphalt binders may contain modifiers that require elevated mixing and compaction temperatures that exceed the temperatures specified in Item P-401.

Grades of some materials are listed below:

NOTE: Performance Graded (PG) asphalt binders should be specified wherever available. The same grade PG binder used by the state highway department in the area should be considered as the base grade for the project (e.g. the grade typically specified in that specific location for dense graded mixes on highways with design Equivalent Standard Axle Loads (ESALS) less than 10 million). The exception would be that grades with a low temperature higher than PG XX-22 should not be used (e.g. PG XX-16 or PG XX-10), unless the Engineer has had successful experience with them. Typically, rutting is not a problem on airport runways. However, at airports with a history of stacking on end of runways and taxiway areas, rutting has accrued due to the slow speed of loading on the pavement. If there has been rutting on the project or it is anticipated that stacking may accrue during the design life of the project, then the following grade "bumping" should be applied for the top 125 mm (5 inches) of paving in the end of runway and taxiway areas: for aircraft tire pressure between 100 and 200 psi, increase the high temperature one grade; for aircraft tire pressure greater than 200 psi, increase the high temperature two grades. Each grade adjustment is 6 degrees C. Polymer Modified Asphalt, PMA, has shown to perform very well in these areas. The low temperature grade should remain the same.

Additional grade bumping and grade selection information is given in Table A.

Table A. Binder Grade Selection and Grade Bumping Based on Gross Aircraft Weight.

Aircraft Gross Weight (pounds)	High Temperature Adjustment to Base Binder Grade	
	Pavement Type	
	Runway	Taxiway/Apron
Less than 12,500	--	--
Less than 60,000	--	1
Less than 100,000	--	1
Greater than 100,000	1	2

NOTES:

1. PG grades above a -22 on the low end (e.g. 64-16) are not recommended. Limited experience has shown this to be a poor performer.
2. PG grades below a 64 on the high end (e.g. 58-22) are not recommended. These binders often provide tender tendencies.
3. PG grades above a 76 on the high end (e.g. 82-22) are very stiff and may be difficult to work and compact.

Grade Specification			
Penetration Grade ASTM D 946	Viscosity Grade ASTM D 3381		Performance Graded Asphalt Institute Superpave Series No. 1(SP-1)
40-50	AC-5	AR-1000	In general, the Engineer should choose a PG-asphalt binder that has been approved for use in the vicinity by the State DOT, and is locally available. In general, a high reliability (98 percent) on both the high and low temperature categories is sufficiently conservative.
60-70	AC-10	AR-2000	
85-100	AC-15	AR-4000	
100-120	AC-20	AR-8000	
120-150	AC-30		
	AC-40		

The Contractor shall furnish vendor's certified test reports for each lot of bituminous material shipped to the project. The vendor's certified test report for the bituminous material can be used for acceptance or tested independently by the Engineer.

401-2.4 PRELIMINARY MATERIAL ACCEPTANCE. Prior to delivery of materials to the job site, the Contractor shall submit certified test reports to the Engineer for the following materials:

a. Coarse Aggregate.

- (1) Percent of wear.
- (2) Soundness.
- (3) Unit weight of slag.
- (4) Percent fractured faces.

b. Fine Aggregate.

- (1) Liquid limit.
- (2) Plasticity index.
- (3) Sand equivalent.

c. Mineral Filler.

d. Bituminous Material. Test results for bituminous material shall include temperature/viscosity charts for mixing and compaction temperatures.

The certification(s) shall show the appropriate ASTM test(s) for each material, the test results, and a statement that the material meets the specification requirement.

The Engineer may request samples for testing, prior to and during production, to verify the quality of the materials and to ensure conformance with the applicable specifications.

401-2.5 ANTI-STRIPPING AGENT. Any anti-stripping agent or additive if required shall be heat stable, shall not change the asphalt cement viscosity beyond specifications, shall contain no harmful ingredients, shall be added in recommended proportion by approved method, and shall be a material approved by the Department of Transportation of the State in which the project is located.

COMPOSITION

401-3.1 COMPOSITION OF MIXTURE. The bituminous plant mix shall be composed of a mixture of well-graded aggregate, filler and anti-strip agent if required, and bituminous material. The several aggregate fractions shall be sized, handled in separate size groups, and combined in such proportions that the resulting mixture meets the grading requirements of the job mix formula (JMF).

401-3.2 JOB MIX FORMULA. No bituminous mixture for payment shall be produced until a job mix formula has been approved in writing by the Engineer. The bituminous mixture shall be designed using procedures contained in Chapter 5, MARSHALL METHOD OF MIX DESIGN, of the Asphalt Institute's Manual Series No. 2 (MS-2), Mix Design Methods for Asphalt Concrete, sixth edition.

The design criteria in Table 1 are target values necessary to meet the acceptance requirements contained in paragraph 401-5.2b. The criteria is based on a production process which has a material variability with the following standard deviations:

- Stability (lbs.) = 270
- Flow (0.01 inch) = 1.5
- Air Voids (%) = 0.65

If material variability exceeds the standard deviations indicated, the job mix formula and subsequent production targets shall be based on a stability greater than shown in Table 1, and the flow and air voids shall be targeted close to the mid-range of the criteria in order to meet the acceptance requirements.

Tensile Strength Ratio (TSR) of the composite mixture, as determined by ASTM D 4867, shall not be less than 75. Anti-stripping agent shall be added to the asphalt, as necessary, to produce a TSR of not less than 75. If an antistrip agent is required, it will be provided by the Contractor at no additional cost to the Owner.

Engineer may specify a TSR of not less than 80 in areas that are prone to stripping at a TSR of 75. Engineer may specify one or more freeze-thaw conditioning cycles in areas that are prone to stripping at a TSR of 75.

The job mix formula shall be submitted in writing by the Contractor to the Engineer at least [] days prior to the start of paving operations and shall include as a minimum:

- a. Percent passing each sieve size for total combined gradation, individual gradation of all aggregate stockpiles and percent by weight of each stockpile used in the job mix formula.
- b. Percent of asphalt cement.
- c. Asphalt performance, viscosity or penetration grade, and type of modifier if used.
- d. Number of blows of hammer compaction per side of molded specimen.
- e. Mixing temperature.
- f. Compaction temperature.
- g. Temperature of mix when discharged from the mixer.
- h. Temperature-viscosity relationship of the asphalt cement.
- i. Plot of the combined gradation on the Federal Highway Administration (FHWA) 45 power gradation curve.
- j. Graphical plots of stability, flow, air voids, voids in the mineral aggregate, and unit weight versus asphalt content.
- k. Percent natural sand.
- l. Percent fractured faces.
- m. Percent by weight of flat particles, elongated particles, and flat and elongated particles (and criteria).
- n. Tensile Strength Ratio (TSR).
- p. Antistrip agent (if required).
- q. Date the job mix formula was developed.

The Contractor shall submit to the Engineer the results of verification testing of three (3) asphalt samples prepared at the optimum asphalt content. The average of the results of this testing shall indicate conformance with the job mix formula requirements specified in Tables 1, 2 and 3.

When the project requires asphalt mixtures of differing aggregate gradations, a separate job mix formula and the results of job mix formula verification testing must be submitted for each mix.

The job mix formula for each mixture shall be in effect until a modification is approved in writing by the Engineer. Should a change in sources of materials be made, a new job mix formula must be submitted within [] days and approved by the Engineer in writing before the new material is used. After the initial production job mix formula(s) has/have been approved by the Engineer and a new or modified job mix formula is required for whatever reason, the subsequent cost of the Engineer's approval of the new or modified job mix formula will be borne by the Contractor. There will be no time extension given or considerations for extra costs associated with the stoppage of production paving or restart of production paving due to the time needed for the Engineer to approve the initial, new or modified job mix formula.

The Engineer shall specify the number of days. A minimum of 10 days is recommended.

Job mix formula not developed within the previous 90 days are not recommended.

The Marshall Design Criteria applicable to the project shall be specified by the Engineer from the information shown below and inserted into Table 1. Asterisks denote insert points.

Test Property	Pavements Designed for Aircraft Gross Weights of 60,000 Lbs. or More or Tire Pressures of 100 Psi or More	Pavements Designed for Aircraft Gross Weights Less Than 60,000 Lbs. or Tire Pressures Less Than 100 Psi
Number of Blows	75	50
Stability, pounds (newtons)	2150 (9564)	1350 (6005)
Flow, 0.01 in. (0.25 mm)	10-14	10-18
Air Voids (percent)	2.8-4.2	2.8-4.2
Percent Voids in Mineral Aggregate (minimum)	See Table 2	See Table 2

TABLE 1. MARSHALL DESIGN CRITERIA

TEST PROPERTY	
Number of blows	*
Stability, pounds (newtons) minimum	*
(newtons) minimum	
Flow, 0.01 in. (0.25 mm)	*
Air voids (percent)	*
Percent voids in mineral aggregate, minimum	See Table 2

TABLE 2. MINIMUM PERCENT VOIDS IN MINERAL AGGREGATE

Maximum Particle Size		Minimum Voids in Mineral Aggregate, percent
in.	mm	Percent
½	12.5	16
¾	19.0	15
1	25.0	14
1-½	37.5	13

Modifications to the minimum Voids in Mineral Aggregate (VMA) as found in Table 2 may be made depending on the definition of maximum particle size and/or local conditions. Modifications to the flow criteria may be required for modified asphalt cement binders.

The mineral aggregate shall be of such size that the percentage composition by weight, as determined by laboratory sieves, will conform to the gradation or gradations specified in Table 3 when tested in accordance with ASTM C 136 and C 117.

The gradations in Table 3 represent the limits that shall determine the suitability of aggregate for use from the sources of supply. The aggregate, as selected (and used in the JMF), shall have a gradation within the limits designated in Table 3 and shall not vary from the low limit on one sieve to the high limit on the adjacent sieve, or vice versa, but shall be well graded from coarse to fine.

Deviations from the final approved mix design for bitumen content and gradation of aggregates shall be within the action limits for individual measurements as specified in paragraph 401-6.5a. The limits still will apply if they fall outside the master grading band in Table 3.

The maximum size aggregate used shall not be more than one-half of the thickness of the course being constructed except where otherwise shown on the plans or ordered by the Engineer.

TABLE 3. AGGREGATE - BITUMINOUS PAVEMENTS

Sieve Size	Percentage by Weight Passing Sieve
1-½ in. (37.50 mm)	*
1 in. (25.0 mm)	*
¾ in. (19.0 mm)	*
½ in. (12.5 mm)	*
⅜ in. (9.5 mm)	*
No. 4 (4.75 mm)	*
No. 8 (2.36 mm)	*
No. 16 (1.18 mm)	*
No. 30 (0.60 mm)	*
No. 50 (0.30 mm)	*
No. 100 (0.15 mm)	*
No. 200 (0.075 mm)	*
Asphalt percent	
Stone or gravel	*
Slag	*

The aggregate gradations shown are based on aggregates of uniform specific gravity. The percentages passing the various sieves shall be corrected when aggregates of varying specific gravities are used, as indicated in the Asphalt Institute Manual Series No. 2 (MS-2), Chapter 3.

The aggregate gradation shall be specified by the Engineer from the gradations shown in this note. The gradation shall be inserted into Table 3. Asterisks denote insert points.

Where locally-available aggregates cannot be economically blended to meet the grading requirements of the gradations shown, the gradations may be modified to fit the characteristics of such local aggregates with approval of the FAA. The modified gradation must produce a paving mixture that satisfies the mix design requirements.

AGGREGATE - BITUMINOUS PAVEMENTS				
Sieve Size	Percentage by Weight Passing Sieves			
	1-½" max	1" max	¾" max	½" max
1-½ in. (37.5 mm)	100	--	--	--
1 in. (24.0 mm)	86-98	100	--	--
¾ in. (19.0 mm)	68-93	76-98	100	--

AGGREGATE - BITUMINOUS PAVEMENTS				
Sieve Size	Percentage by Weight Passing Sieves			
	1-1/2" max	1" max	3/4" max	1/2" max
1/2 in. (12.5 mm)	57-81	66-86	79-99	100
3/8 in. (9.5 mm)	49-69	57-77	68-88	79-99
No. 4 (4.75 mm)	34-54	40-60	48-68	58-78
No. 8 (2.36 mm)	22-42	26-46	33-53	39-59
No. 16 (1.18 mm)	13-33	17-37	20-40	26-46
No. 30 (0.600 mm)	8-24	11-27	14-30	19-35
No. 50 (0.300 mm)	6-18	7-19	9-21	12-24
No. 100 (0.150 mm)	4-12	6-16	6-16	7-17
No. 200 (0.075 mm)	3-6	3-6	3-6	3-6
Asphalt percent:				
Stone or gravel	4.5-7.0	4.5-7.0	5.0-7.5	5.5-8.0
Slag	5.0-7.5	5.0-7.5	6.5-9.5	7.0-10.5

401-3.3 RECYCLED ASPHALT CONCRETE. Recycled HMA shall consist of reclaimed asphalt pavement (RAP), coarse aggregate, fine aggregate, mineral filler, and asphalt cement. The RAP shall be of a consistent gradation and asphalt content and properties. When RAP is fed into the plant, the maximum RAP chunk size shall not exceed 2 inches. The recycled HMA mix shall be designed using procedures contained in AI MS-02. The recycled asphalt concrete mix shall be designed using procedures contained in the Asphalt Institute's Manual Series Number 2 (MS-2). The percentage of asphalt in the RAP shall be established for the mixture design according to ASTM D 2172 using the appropriate dust correction procedure. The job mix shall meet the requirements of paragraph 401-3.2 RAP should only be used for shoulder surface course mixes and for any intermediate courses. The amount of RAP shall be limited to [] percent.

Reclaimed Asphalt Pavement (RAP) should not be used for surface mixes, except on shoulders. It can be used very effectively in lower layers or for shoulders. Engineer to specify the maximum percentage of reclaimed asphalt allowed in the mix. The amount of RAP shall be limited to 30 percent, as long as the resulting recycled mix meets all requirements that are specified for virgin mixtures. The Contractor may obtain the RAP from the job site or an existing source.

In addition to the requirements of paragraph 401-3.2, the job mix formula shall indicate the percent of reclaimed asphalt pavement and the percent and viscosity grade of new asphalt. The Contractor shall submit documentation to the Engineer, indicating that the mixing equipment proposed for use is adequate to mix the percent of RAP shown in the job mix formula and meet all local and national environmental regulations.

The appropriate test should be selected to conform to the grade of new asphalt specified. If a penetration grade is specified, use penetration test. If a viscosity grade is specified, use a viscosity test. If a PG asphalt binder is specified, use the dynamic shear rheometer and bending beam tests.

The blend of new asphalt cement and the RAP asphalt binder shall meet the requirements in paragraph 401-2.3. The virgin asphalt cement shall not be more than two standard asphalt material grades different than that specified in paragraph 401-2.3

Delete paragraph 401-3.3 in its entirety if recycled asphalt pavement is not to be allowed and include a sentence that RAP will not be permitted to be used. RAP containing coal tars may require additional precautions during production and may be excluded.

401-3.4 TEST SECTION. Prior to full production, the Contractor shall prepare and place a quantity of bituminous mixture according to the job mix formula. The amount of mixture shall be sufficient to construct a test section [] long and [] wide, placed in two lanes, with a longitudinal cold joint, and shall be of the same depth specified for the construction of the course which it represents. A cold joint is an exposed construction joint at least 4 hours old or whose mat has cooled to less than 160° F. The underlying grade or pavement structure upon which the test section is to be constructed shall be the same as the remainder of the course represented by the test section. The equipment used in construction of the test section shall be the same type and weight to be used on the remainder of the course represented by the test section.

THE TEST SECTION SHALL BE EVALUATED FOR ACCEPTANCE AS A SINGLE LOT IN ACCORDANCE WITH THE ACCEPTANCE CRITERIA IN PARAGRAPH 401-5.1 AND 401-6.3. THE TEST SECTION SHALL BE DIVIDED INTO EQUAL SUBLOTS. AS A MINIMUM THE TEST SECTION SHALL CONSIST OF 3 SUBLOTS.

The test section shall be considered acceptable if; 1) stability, flow, mat density, air voids, and joint density are 90 percent or more within limits, 2) gradation and asphalt content are within the action limits specified in paragraphs 401-6.5a and 5b, and 3) the voids in the mineral aggregate are within the limits of Table 2.

If the initial test section should prove to be unacceptable, the necessary adjustments to the job mix formula, plant operation, placing procedures, and/or rolling procedures shall be made. A second test section shall then be placed. If the second test section also does not meet specification requirements, both sections shall be removed at the Contractor's expense. Additional test sections, as required, shall be constructed and evaluated for conformance to the specifications. Any additional sections that are not acceptable shall be removed at the Contractor's expense. Full production shall not begin until an acceptable section has been constructed and accepted in writing by the Engineer. Once an acceptable test section has been placed, payment for the initial test section and the section that meets specification requirements shall be made in accordance with paragraph 401-8.1.

Job mix control testing shall be performed by the Contractor at the start of plant production and in conjunction with the calibration of the plant for the job mix formula. If aggregates produced by the plant do not satisfy the gradation requirements or produce a mix that meets the JMF. It will be necessary to reevaluate and redesign the mix using plant-produced aggregates. Specimens shall be prepared and the optimum bitumen content determined in the same manner as for the original design tests.

The test section should be a minimum of 300 feet (90 m) long and 20 to 30 feet (6 to 9 m) wide. The test section affords the Contractor and the Engineer an opportunity to determine the quality of the mixture in place, as well as performance of the plant and laydown equipment.

Contractor will not be allowed to place the test section until the Contractor Quality Control Program, showing conformance with the requirements of Paragraph 401-6.1, has been approved, in writing, by the Engineer.

401-3.5 TESTING LABORATORY. The Contractor's laboratory used to develop the job mix formula shall meet the requirements of ASTM D 3666 including the requirement to be accredited by a national authority such as the National Voluntary Laboratory Accreditation Program (NVLAP), the American Association for Laboratory Accreditation (AALA), or AASHTO Accreditation Program (AAP). Laboratory personnel shall meet the requirements of Section 100 of the General Provisions. A certification signed by the manager of the laboratory stating that it meets these requirements shall be submitted to the Engineer prior to the start of construction. The certification shall contain as a minimum:

- a. Qualifications of personnel; laboratory manager, supervising technician, and testing technicians.
- b. A listing of equipment to be used in developing the job mix.
- c. A copy of the laboratory's quality control system.
- d. Evidence of participation in the AASHTO Materials Reference Laboratory (AMRL) program.
- e. ASTM D 3666 certification of accreditation by a nationally recognized accreditation program.

CONSTRUCTION METHODS

401-4.1 WEATHER LIMITATIONS. The bituminous mixture shall not be placed upon a wet surface or when the surface temperature of the underlying course is less than specified in Table 4. The temperature requirements may be waived by the Engineer, if requested; however, all other requirements including compaction shall be met.

TABLE 4. BASE TEMPERATURE LIMITATIONS

Mat Thickness	Base Temperature (Minimum)	
	Deg. F	Deg. C
3 in. (7.5 cm) or greater	40	4
Greater than 1 in. (2.5 cm) but less than 3 in. (7.5 cm)	45	7
1 in. (2.5 cm) or less	50	10

401-4.2 BITUMINOUS MIXING PLANT. Plants used for the preparation of bituminous mixtures shall conform to the requirements of ASTM D 995 with the following changes:

a. Requirements for All Plants.

(1) Truck Scales. The bituminous mixture shall be weighed on approved scales furnished by the Contractor, or on certified public scales at the Contractor's expense. Scales shall be inspected and sealed as often as the Engineer deems necessary to assure their accuracy. Scales shall conform to the requirements of the General Provisions, Section 90-01.

In lieu of scales, and as approved by the Engineer, asphalt mixture weights may be determined by the use of an electronic weighing system equipped with an automatic printer that weighs the total paving mixture. Contractor must furnish calibration certification of the weighing system prior to mix production and as often thereafter as requested by the Engineer.

(2) Testing Facilities. The Contractor shall provide laboratory facilities at the plant for the use of the Engineer's acceptance testing and the Contractor's quality control testing. The Engineer will always have priority in the use of the laboratory. The lab shall have sufficient space and equipment so that both testing representatives (Engineer's and Contractor's) can operate efficiently. The lab shall also meet the requirements of ASTM D 3666.

The plant testing laboratory shall have a floor space area of not less than 150 square feet, with a ceiling height of not less than 7-½ feet. The laboratory shall be weather tight, sufficiently heated in cold weather, air-conditioned in hot weather to maintain temperatures for testing purposes of 70 degrees F +/- 5 degrees F. The plant testing laboratory shall be located on the plant site to provide an unobstructed view, from one of its windows, of the trucks being loaded with the plant mix materials.

Laboratory facilities shall be kept clean, and all equipment shall be maintained in proper working condition. The Engineer shall be permitted unrestricted access to inspect the Contractor's laboratory facility and witness quality control activities. The Engineer will advise the Contractor in writing of any noted deficiencies concerning the laboratory facility, equipment, supplies, or testing personnel and procedures. When the deficiencies are serious enough to be adversely affecting the test results, the incorporation of the materials into the work shall be suspended immediately and will not be permitted to resume until the deficiencies are satisfactorily corrected.

As a minimum, the plant testing laboratory shall have:

- (a) Adequate artificial lighting
- (b) Electrical outlets sufficient in number and capacity for operating the required testing equipment and drying samples.
- (c) Fire extinguishers (2), Underwriter's Laboratories approved
- (d) Work benches for testing, minimum 2-½ feet by 10 feet.
- (e) Desk with 2 chairs
- (f) Sanitary facilities convenient to testing laboratory
- (g) Exhaust fan to outside air, minimum 12 inch blade diameter
- (h) A direct telephone line and telephone including a FAX machine operating 24 hours per day, seven days per week
- (i) File cabinet with lock for Engineer
- (j) Sink with running water, attached drain board and drain capable of handling separate material
- (k) Metal stand for holding washing sieves
- (l) Two element hot plate or other comparable heating device, with dial type thermostatic controls for drying aggregates
- (m) Mechanical shaker and appropriate sieves (listed in JMF, Table 3) meeting the requirements of ASTM E-11 for determining the gradation of coarse and fine aggregates in accordance with ASTM C 136
- (n) Marshall testing equipment meeting ASTM D 6926, ASTM D 6927, automatic compaction equipment capable of compacting three specimens at once and other apparatus as specified in ASTM C 127, D 2172, D 2726, and D 2041
- (o) Oven, thermostatically controlled, inside minimum 1 cubic foot
- (p) Two volumetric specific gravity flasks, 500 cc
- (q) Other necessary hand tools required for sampling and testing
- (r) Library containing contract specifications, latest ASTM volumes 4.01, 4.02, 4.03 and 4.09, AASHTO standard specification parts I and II, and Asphalt Institute Publication MS-2.
- (s) Equipment for Theoretical Specific Gravity testing including a 4,000 cc pycnometer, vacuum pump capable of maintaining 30 ml mercury pressure and a balance, 16-20 kilograms with accuracy of 0.5 grams
- (t) Extraction equipment, centrifuge and reflux types and ROTOflex equipment
- (u) A masonry saw with diamond blade for trimming pavement cores and samples
- (v) Telephone

Approval of the plant and testing laboratory by the Engineer requires all facilities and equipment to be in good working order during production, sampling and testing. Failure to provide the specified facilities shall be sufficient cause for disapproving bituminous plant operations.

The Owner shall have access to the lab and the plant whenever Contractor is in production.

(3) Inspection of Plant. The Engineer, or Engineer's authorized representative, shall have access, at all times, to all areas of the plant for checking adequacy of equipment; inspecting operation of the plant: verifying weights, proportions, and material properties; and checking the temperatures maintained in the preparation of the mixtures.

(4) Storage Bins and Surge Bins. Use of surge and storage bins for temporary storage of hot bituminous mixtures will be permitted as follows:

- (a)** The bituminous mixture may be stored in surge bins for a period of time not to exceed 3 hours.
- (b)** The bituminous mixture may be stored in insulated storage bins for a period of time not to exceed 24 hours.

The bins shall be such that mix drawn from them meets the same requirements as mix loaded directly into trucks.

If the Engineer determines that there is an excessive amount of heat loss, segregation, or oxidation of the mixture due to temporary storage, no temporary storage will be allowed.

401-4.3 HAULING EQUIPMENT. Trucks used for hauling bituminous mixtures shall have tight, clean, and smooth metal beds. To prevent the mixture from adhering to them, the truck beds shall be lightly coated with a minimum amount of paraffin oil, lime solution, or other approved material. Petroleum products shall not be used for coating truck beds. Each truck shall have a suitable cover to protect the mixture from adverse weather. When necessary, to ensure that the mixture will be delivered to the site at the specified temperature, truck beds shall be insulated or heated and covers shall be securely fastened.

401-4.4 BITUMINOUS PAVERS. Bituminous pavers shall be self-propelled with an activated heated screed, capable of spreading and finishing courses of bituminous plant mix material that will meet the specified thickness, smoothness, and grade. The paver shall have sufficient power to propel itself and the hauling equipment without adversely affecting the finished surface.

The paver shall have a receiving hopper of sufficient capacity to permit a uniform spreading operation. The hopper shall be equipped with a distribution system to place the mixture uniformly in front of the screed without segregation. The screed shall effectively produce a finished surface of the required evenness and texture without tearing, shoving, or gouging the mixture.

The paver shall be equipped with a control system capable of automatically maintaining the specified screed elevation. The control system shall be automatically actuated from either a reference line and/or through a system of mechanical sensors or sensor-directed mechanisms or devices that will maintain the paver screed at a predetermined transverse slope and at the proper elevation to obtain the required surface. The transverse slope controller shall be capable of maintaining the screed at the desired slope within plus or minus 0.1 percent.

The controls shall be capable of working in conjunction with any of the following attachments:

- a.** Ski-type device of not less than 30 feet (9.14 m) in length.
- b.** Taut stringline (wire) set to grade.
- c.** Short ski or shoe.
- d.** Laser control.

If, during construction, it is found that the spreading and finishing equipment in use leaves tracks or indented areas, or produces other blemishes in the pavement that are not satisfactorily corrected by the scheduled operations, the use of such equipment shall be discontinued and satisfactory equipment shall be provided by the Contractor.

401-4.5 ROLLERS. Rollers of the vibratory, steel wheel, and pneumatic-tired type shall be used. They shall be in good condition, capable of operating at slow speeds to avoid displacement of the bituminous mixture. The number, type, and weight of rollers shall be sufficient to compact the mixture to the required density while it is still in a workable condition.

All rollers shall be specifically designed and suitable for compacting hot mix bituminous concrete and shall be properly used. Rollers that impair the stability of any layer of a pavement structure or underlying soils shall not be used. Depressions in pavement surfaces caused by rollers shall be repaired by the Contractor at its own expense.

The use of equipment that causes crushing of the aggregate will not be permitted.

a. Nuclear Densometer. The Contractor shall have on site a nuclear densometer during all paving operations in order to assist in the determination of the optimum rolling pattern, type of roller and frequencies, as well as to monitor the effect of the rolling operations during production paving. The Contractor shall also supply a qualified technician during all paving operations to calibrate the nuclear densometer and obtain accurate density readings for all new bituminous concrete. These densities shall be supplied to the Engineer upon request at any time during construction. No separate payment will be made for supplying the density gauge and technician.

401-4.6 PREPARATION OF BITUMINOUS MATERIAL. The bituminous material shall be heated in a manner that will avoid local overheating and provide a continuous supply of the bituminous material to the mixer at a uniform temperature. The temperature of the bituminous material delivered to the mixer shall be sufficient to provide a suitable viscosity for adequate coating of the aggregate particles, but shall not exceed 325 degrees F (160 degrees C), unless otherwise required by the manufacturer.

401-4.7 PREPARATION OF MINERAL AGGREGATE. The aggregate for the mixture shall be heated and dried prior to introduction into the mixer. The maximum temperature and rate of heating shall be such that no damage occurs to the aggregates. The temperature of the aggregate and mineral filler shall not exceed 350 degrees F (175 degrees C) when the asphalt is added. Particular care shall be taken that aggregates high in calcium or magnesium content are not damaged by overheating. The temperature shall not be lower than is required to obtain complete coating and uniform distribution on the aggregate particles and to provide a mixture of satisfactory workability.

401-4.8 PREPARATION OF BITUMINOUS MIXTURE. The aggregates and the bituminous material shall be weighed or metered and introduced into the mixer in the amount specified by the job mix formula.

The combined materials shall be mixed until the aggregate obtains a uniform coating of bitumen and is thoroughly distributed throughout the mixture. Wet mixing time shall be the shortest time that will produce a satisfactory mixture, but not less than 25 seconds for batch plants. The wet mixing time for all plants shall be established by the Contractor, based on the procedure for determining the percentage of coated particles described in ASTM D 2489, for each individual plant and for each type of aggregate used. The wet mixing time will be set to achieve 95 percent of coated particles. For continuous mix plants, the minimum mixing time shall be determined by dividing the weight of its contents at operating level by the weight of the mixture delivered per second by the mixer. The moisture content of all bituminous mixtures upon discharge shall not exceed 0.5 percent.

For batch plants, wet mixing time begins with the introduction of bituminous material into the mixer and ends with the opening of the mixer discharge gate. Distribution of aggregate and bituminous material as they enter the pugmill, speed of mixer shafts, and arrangement and pitch of paddles are factors governing efficiency of mixing. Prolonged exposure to air and heat in the pugmill harden the asphalt film on the aggregate. Mixing time, therefore, should be the shortest time required to obtain uniform distribution of aggregate sizes and thorough coating of aggregate particles with bituminous material.

401-4.9 PREPARATION OF THE UNDERLYING SURFACE. Immediately before placing the bituminous mixture, the underlying course shall be cleaned of all dust and debris. A prime coat or tack coat shall be applied in accordance with Item P-602 or P-603, if shown on the plans.

Engineer should evaluate the presence of paint and/or rubber deposits on the existing pavement and, if needed, may specify milling, grinding or other suitable means to remove same prior to placement of new bituminous material.

401-4.10 LAYDOWN PLAN, TRANSPORTING, PLACING, AND FINISHING. Prior to the placement of the bituminous mixture, the Contractor shall prepare a laydown plan for approval by the Engineer. This is to minimize the number of cold joints in the pavement. The laydown plan shall include the sequence of paving laydown by stations, width of lanes, temporary ramp location(s), and laydown temperature. The laydown plan shall also include estimated time of completion for each portion of the work (i.e. milling, paving, rolling, cooling, etc.). Modifications to the laydown plan shall be approved by the Engineer.

The bituminous mixture shall be transported from the mixing plant to the site in vehicles conforming to the requirements of paragraph 401-4.3. Deliveries shall be scheduled so that placing and compacting of mixture is uniform with minimum stopping and starting of the paver. Hauling over freshly placed material shall not be permitted until the material has been compacted, as specified, and allowed to cool to atmospheric temperature.

Engineer may, at his option, add the following language:

“For all runway, taxiway and apron pavements, Contractor shall use a stringline to place each lane of each lift of bituminous surface course. However, at the Contractor’s option, Contractor shall use stringline for first lift of bituminous surface course and then survey the grade of that lift. Provided grades of that lift of bituminous surface course meet the tolerances of paragraphs 401-5.2b(6), then Contractor may place successive lifts of bituminous surface course using a long ski, or laser control per paragraph 401-4.4. However, Contractor shall survey each lift of bituminous surface course and certify to Engineer that every lot of each lift meets the grade tolerances of paragraph 401-5.2b(6) before the next lift can be placed without a stringline. If the grades of a single lot do not meet the tolerances of 401-5.2b(6), then the Contractor shall use a stringline for each entire lift. Corrective action in paragraph 401-5.2b(6) applies to the final lift of surface course; however, for multiple lift construction, the Contractor shall correct to ensure the final lift of surface course is a minimum of [] inches and a maximum of [] inches.” (Engineer to specify minimum and maximum tolerances for final lift of surface course)

[The Contractor may elect to use a material transfer vehicle to deliver mix to the paver.]

Use of a material transfer vehicle allows the paver to be operated almost continuously without stopping between truckloads of mix, if a continuous supply of mix is available from the asphalt plant. The use of a transfer vehicle is recommended on long paving lanes.

Paving during nighttime construction shall require the following:

a. All paving machines, rollers, distribution trucks and other vehicles required by the Contractor for his operations shall be equipped with artificial illumination sufficient to safely complete the work.

b. Minimum illumination level shall be twenty (20) horizontal foot candles and maintained in the following areas:

(1) An area of 30 feet wide by 30 feet long immediately behind the paving machines during the operations of the machines.

(2) An area 15 feet wide by 30 feet long immediately in front and back of all rolling equipment, during operation of the equipment.

(3) An area 15 feet wide by 15 feet long at any point where an area is being tack coated prior to the placement of pavement.

c. As partial fulfillment of the above requirements, the Contractor shall furnish and use, complete artificial lighting units with a minimum capacity of 3,000 watt electric beam lights, affixed to all equipment in such a way to direct illumination on the area under construction.

d. In addition, the Contractor shall furnish [] portable floodlight units similar or equal to [].

Engineer to specify the minimum number of floodlighting units and may elect to specify a particular manufacturer's lighting unit "or equal".

If nighttime paving requires the critical re-opening of airfield facilities, the following additional language should be added:

"If the Contractor places any out of specification mix in the project work area, the Contractor is required to remove it at its own expense, to the satisfaction of the Engineer. If the Contractor has to continue placing non-payment bituminous concrete, as directed by the Engineer, to make the surfaces safe for aircraft operations, the Contractor shall do so to the satisfaction of the Engineer. It is the Contractor's responsibility to leave the facilities to be paved in a safe condition ready for aircraft operations. No consideration for extended closure time of the area being paved will be given. As a first order of work for the next paving shift, the Contractor shall remove all out of specification material and replace with approved material to the satisfaction of the Engineer. When the above situations occur, there will be no consideration given for additional construction time or payment for extra costs."

The initial placement and compaction of the mixture shall occur at a temperature suitable for obtaining density, surface smoothness, and other specified requirements but not less than 250 degrees F (121 degrees C).

Edges of existing bituminous pavement abutting the new work shall be saw cut and carefully removed as shown on the drawings and painted with bituminous tack coat before new material is placed against it.

Upon arrival, the mixture shall be placed to the full width by a bituminous paver. It shall be struck off in a uniform layer of such depth that, when the work is completed, it shall have the required thickness and conform to the grade and contour indicated. The speed of the paver shall be regulated to eliminate pulling and tearing of the bituminous mat. Unless otherwise permitted, placement of the mixture shall begin along the centerline of a crowned section or on the high side of areas with a one-way slope. The mixture shall be placed in consecutive adjacent strips having a minimum width of [] except where edge lanes require less width to complete the area. Additional screed sections shall not be attached to widen paver to meet the minimum lane width requirements specified above unless additional auger sections are added to match. The longitudinal joint in one course shall offset the longitudinal joint in the course immediately below by at least 1 foot (30 cm); however, the joint in the surface top course shall be at the centerline of crowned pavements. Transverse joints in one course shall be offset by at least 10 feet (3 m) from transverse joints in the previous course.

Transverse joints in adjacent lanes shall be offset a minimum of 10 feet (3 m).

On areas where irregularities or unavoidable obstacles make the use of mechanical spreading and finishing equipment impractical, the mixture may be spread and luted by hand tools. Areas of segregation in the surface course, as determined by the Engineer, shall be removed and replaced at the Contractor's expense. The area shall be removed by saw cutting and milling a minimum of 2 inches deep. The area to be removed and replaced shall be a minimum width of the paver and a minimum of 10 feet long.

The Engineer should add more detail as appropriate to areas that require removal and replacements. The Engineer should specify the widest paving lane practicable in an effort to hold the number of longitudinal joints to a minimum.

401-4.11 COMPACTION OF MIXTURE. After placing, the mixture shall be thoroughly and uniformly compacted by power rollers. The surface shall be compacted as soon as possible when the mixture has attained sufficient stability so that the rolling does not cause undue displacement, cracking or shoving. The sequence of rolling operations and the type of rollers used shall be at the discretion of the Contractor. The speed of the roller shall, at all times, be sufficiently slow to avoid displacement of the hot mixture and be effective in compaction. Any displacement occurring as a result of reversing the direction of the roller, or from any other cause, shall be corrected at once.

Sufficient rollers shall be furnished to handle the output of the plant. Rolling shall continue until the surface is of uniform texture, true to grade and cross section, and the required field density is obtained.

To prevent adhesion of the mixture to the roller, the wheels shall be equipped with a scraper and kept properly moistened but excessive water will not be permitted.

In areas not accessible to the roller, the mixture shall be thoroughly compacted with approved power driven tampers. Tampers shall weigh not less than 275 pounds, have a tamping plate width not less than 15 inches, be rated at not less than 4,200 vibrations per minute, and be suitably equipped with a standard tamping plate wetting device.

Any mixture that becomes loose and broken, mixed with dirt, contains check-cracking, or in any way defective shall be removed and replaced with fresh hot mixture and immediately compacted to conform to the surrounding area. This work shall be done at the Contractor's expense. Skin patching shall not be allowed.

401-4.12 JOINTS. The formation of all joints shall be made in such a manner as to ensure a continuous bond between the courses and obtain the required density. All joints shall have the same texture as other sections of the course and meet the requirements for smoothness and grade.

The roller shall not pass over the unprotected end of the freshly laid mixture except when necessary to form a transverse joint. When necessary to form a transverse joint, it shall be made by means of placing a bulkhead or by tapering the course. The tapered edge shall be cut back to its full depth and width on a straight line to expose a vertical face prior to placing the adjacent lane. In both methods, all contact surfaces shall be given a tack coat of bituminous material before placing any fresh mixture against the joint.

Longitudinal joints which are irregular, damaged, uncompacted, or otherwise defective [or which have been left exposed for more than 4 hours, or whose surface temperature has cooled to less than 160° F] shall be cut back [specify cutback] to expose a clean, sound surface for the full depth of the course. All contact surfaces shall be cleaned and dry prior and given a tack coat of bituminous material prior to placing any fresh mixture against the joint. The cost of this work and tack coat shall be considered incidental to the cost of the bituminous course.

Engineer may retain the bracketed language regarding the treatment of “cold joints” when considered necessary. The cutback should be no more than 6 inches.

401-4.13 SKID RESISTANT SURFACES/SAW-CUT GROOVING. If shown on the plans, skid resistant surfaces for asphalt pavements shall be provided by construction of saw-cut grooves. Pavement shall be sufficiently cooled prior to grooving.

Transverse grooves shall be saw-cut in the pavement forming a ¼ inch wide by ¼ inch deep by 1-½ inches center to center configuration. The grooves shall be continuous for the entire length of the pavement. They shall be saw-cut transversely in the pavement to within 10 feet of the pavement edge to allow adequate space for equipment operation. The tolerances for saw-cut grooves shall meet the following:

- a. **Alignment tolerance** – Plus or minus 1-½ inches in alignment for 75 feet.
- b. **Groove tolerance** – Minimum depth 3/16 inch, except that not more than 60 percent of the grooves shall be less than ¼ inch. Maximum depth 5/16 inch. Minimum width ¼ inch. Maximum width 5/16 inch.
- c. **Center-to-center spacing** – Minimum spacing 1-¾ inches. Maximum spacing 1-½ inches.

Grooves shall not be less than 6 inches and not more than 18 inches from in-pavement light fixtures. Cleanup of waste material shall be continuous during the grooving operation. All waste material shall be removed from the pavement surface and disposed of off-site in accordance with governing laws and regulations. All arrangements for disposal of waste material shall be made prior to the start of grooving. Waste material shall not be allowed to enter the airport storm or sanitary sewer system.

MATERIAL ACCEPTANCE

401-5.1 ACCEPTANCE SAMPLING AND TESTING. Unless otherwise specified, all acceptance sampling and testing necessary to determine conformance with the requirements specified in this section will be performed by the Engineer at no cost to the Contractor except that coring [and profilograph testing] as required in this section shall be completed and paid for by the Contractor. Testing organizations performing these tests [except profilograph] shall meet the requirements of ASTM D 3666. All equipment in Contractor furnished laboratories shall be calibrated by an independent testing organization prior to the start of operations at the Contractor's expense.

See note to Engineer in section 401-5.2b(5) regarding the use of profilograph testing. If this testing is specified, it is performed and paid for by the Contractor.

a. Plant-Produced Material. Plant-produced material shall be tested for stability, flow, and air voids on a lot basis. Sampling shall be from material deposited into trucks at the plant or from trucks at the job site. Samples shall be taken in accordance with ASTM D 979. A lot will consist of:

- one day or shift’s production not to exceed 2,000 tons (1 814 000 kg), or
- a half day or shift’s production where a day's production is expected to consist of between 2,000 and 4,000 tons (1 814 000 and 3 628 000 kg), or
- similar subdivisions for tonnages over 4,000 tons (3 628 000 kg).

Where more than one plant is simultaneously producing material for the job, the lot sizes shall apply separately for each plant.

(1) Sampling. Each lot will consist of four equal sublots. Sufficient material for preparation of test specimens for all testing will be sampled by the Engineer on a random basis, in accordance with the procedures contained in ASTM D 3665. One set of laboratory compacted specimens will be prepared for each subplot in accordance with ASTM D 6926, at the number of blows required by paragraph 401-3.2, Table 1. Each set of laboratory compacted specimens will consist of three test portions prepared from the same sample increment.

The sample of bituminous mixture may be put in a covered metal tin and placed in an oven for not less than 30 minutes nor more than 60 minutes to stabilize to compaction temperature. The compaction temperature of the specimens shall be as specified in the job mix formula.

Engineer should increase hold times to not less than 60 minutes and not more than 90 minutes when absorptive aggregates are used,

(2) Testing. Sample specimens shall be tested for stability and flow in accordance with ASTM D 6927. Air voids will be determined by the Engineer in accordance with ASTM D 3203.

Prior to testing, the bulk specific gravity of each test specimen shall be measured by the Engineer in accordance with ASTM D 2726 using the procedure for laboratory-prepared thoroughly dry specimens, or ASTM D 1188, whichever is applicable, for use in computing air voids and pavement density.

For air voids determination, the theoretical maximum specific gravity of the mixture shall be measured one time for each subplot in accordance with ASTM D 2041, Type C, D or E container. The value used in the air voids computation for each subplot shall be based on theoretical maximum specific gravity measurement for the subplot.

The stability and flow for each subplot shall be computed by averaging the results of all test specimens representing that subplot.

(3) Acceptance. Acceptance of plant produced material for stability, flow, and air voids shall be determined by the Engineer in accordance with the requirements of paragraph 401-5.2b.

b. Field Placed Material. Material placed in the field shall be tested for mat and joint density on a lot basis.

(1) Mat Density. The lot size shall be the same as that indicated in paragraph 401-5.1a and shall be divided into four equal sublots. One core of finished, compacted materials shall be taken by the Contractor from each subplot. Core locations will be determined by the Engineer on a random basis in accordance with procedures contained in ASTM D 3665. Cores shall not be taken closer than one foot from a transverse or longitudinal joint.

(2) Joint Density. The lot size shall be the total length of longitudinal joints constructed by a lot of material as defined in paragraph 401-5.1a. The lot shall be divided into four equal sublots. One core of finished, compacted materials shall be taken by the Contractor from each subplot. Core locations will be determined by the Engineer on a random basis in accordance with procedures contained in ASTM D 3665. ALL CORING SHALL BE CENTERED ON THE JOINT. THE MINIMUM CORE DIAMETER FOR JOINT DENSITY DETERMINATION SHALL BE 5 INCHES.

(3) Sampling. Samples shall be neatly cut with a core drill. The cutting edge of the core drill bit shall be of hardened steel or other suitable material with diamond chips embedded in the metal cutting edge. The minimum diameter of the sample shall be five inches. Samples that are clearly defective, as a result of sampling, shall be discarded and another sample taken. The Contractor shall furnish all tools, labor, and materials for cutting samples, cleaning, and filling the cored pavement. Cored pavement shall be cleaned and core holes shall be filled in a manner acceptable to the Engineer and within one day after sampling.

(4) Testing. The bulk specific gravity of each cored sample will be measured by the Engineer in accordance with ASTM D 2726 or ASTM D 1188, whichever is applicable. The percent compaction (density) of each sample will be determined by dividing the bulk specific gravity of each subplot sample by the average bulk specific gravity of all laboratory prepared specimens for the lot, as determined in paragraph 401-5.1a(2). The bulk specific gravity used to determine the joint density at joints formed between different lots shall be the lowest of the bulk specific gravity values from the two different lots.

(5) Acceptance. Acceptance of field placed material for mat density will be determined by the Engineer in accordance with the requirements of paragraph 401-5.2b(1). Acceptance for joint density will be determined in accordance with the requirements of paragraph 401-5.2b(3).

c. Partial Lots — Plant-Produced Material. When operational conditions cause a lot to be terminated before the specified number of tests have been made for the lot, or when the Contractor and Engineer agree in writing to allow overages or other minor tonnage placements to be considered as partial lots, the following procedure will be used to adjust the lot size and the number of tests for the lot.

The last batch produced where production is halted will be sampled, and its properties shall be considered as representative of the particular subplot from which it was taken. In addition, an agreed to minor placement will be sampled, and its properties shall be considered as representative of the particular subplot from which it was taken. Where three sublots are produced, they shall constitute a lot. Where one or two sublots are produced, they shall be incorporated into the next lot, and the total number of sublots shall be used in the acceptance plan calculation, i.e., $n = 5$ or $n = 6$, for example. Partial lots at the end of asphalt production on the project shall be included with the previous lot.

d. Partial Lots — Field Placed Material. The lot size for field placed material shall correspond to that of the plant material, except that, in no cases, shall less than three (3) cored samples be obtained, i.e., $n = 3$.

401-5.2 ACCEPTANCE CRITERIA.

a. General. Acceptance will be based on the following characteristics of the bituminous mixture and completed pavement as well as the implementation of the Contractor Quality Control Program and test results:

- (1) Stability
- (2) Flow
- (3) Air voids
- (4) Mat density
- (5) Joint density
- (6) Thickness
- (7) Smoothness
- (8) Grade

Mat density and air voids will be evaluated for acceptance in accordance with paragraph 401-5.2b(1). Stability and flow will be evaluated for acceptance in accordance with paragraph 401-5.2b(2). Joint density will be evaluated for acceptance in accordance with paragraph 401-5.2b(3).

Thickness will be evaluated by the Engineer for compliance in accordance with paragraph 401-5.2b(4). Acceptance for smoothness will be based on the criteria contained in paragraph 401-5.2b(5). Acceptance for grade will be based on the criteria contained in paragraph 401-5.2b(6).

The Engineer may at any time, notwithstanding previous plant acceptance, reject and require the Contractor to dispose of any batch of bituminous mixture which is rendered unfit for use due to contamination, segregation, incomplete coating of aggregate, or improper mix temperature. Such rejection may be based on only visual inspection or temperature measurements. In the event of such rejection, the Contractor may take a representative sample of the rejected material in the presence of the Engineer, and if it can be demonstrated in the laboratory, in the presence of the Engineer, that such material was erroneously rejected, payment will be made for the material at the contract unit price.

b. Acceptance Criteria.

(1) Mat Density and Air Voids. Acceptance of each lot of plant produced material for mat density and air voids shall be based on the percentage of material within specification limits (PWL). If the PWL of the lot equals or exceeds 90 percent, the lot shall be acceptable. Acceptance and payment shall be determined in accordance with paragraph 401-8.1.

(2) Stability and Flow. Acceptance of each lot of plant produced material for stability and flow shall be based on the percentage of material within specification limits (PWL). If the PWL of the lot equals or exceeds 90 percent, the lot shall be acceptable. If the PWL is less than 90 percent, the Contractor shall determine the reason and take corrective action. If the PWL is below 80 percent, the Contractor must stop production until the reason for poor stability and/or flow has been determined and adjustments to the mix are made.

(3) Joint Density. Acceptance of each lot of plant produced material for joint density shall be based on the percentage of material within specification limits (PWL). If the PWL of the lot is equal to or exceeds 90 percent, the lot shall be considered acceptable. If the PWL is less than 90 percent, the Contractor shall evaluate the reason and act accordingly. If the PWL is less than 80 percent, the Contractor shall cease operations and until the reason for poor compaction has been determined. IF THE PWL IS LESS THAN 71 PERCENT, THE PAY FACTOR FOR THE LOT USED TO COMPLETE THE JOINT SHALL BE REDUCED BY 5 PERCENTAGE POINTS. This lot pay factor reduction shall be incorporated and evaluated in accordance with paragraph 401-8.1.

(4) Thickness. Thickness of each lift of surface course shall be evaluated by the Engineer for compliance to the requirements shown on the plans. Measurements of thickness shall be made by the Engineer using the cores extracted for each subplot for density measurement. The maximum allowable deficiency at any point shall not be more than ¼ inch less than the thickness indicated for the lift. Average thickness of lift, or combined lifts, shall not be less than the indicated thickness. Where the thickness tolerances are not met, the lot or subplot shall be corrected by the Contractor at his expense by removing the deficient area and replacing with new pavement. The Contractor, at his expense, may take additional cores as approved by the Engineer to circumscribe the deficient area.

(5) Smoothness. The final surface shall be free from roller marks. The finished surfaces of each course of the pavement, except the finished surface of the final course, shall not vary more than ⅜ inch when evaluated with a 16 foot straightedge. The finished surface of the final course of pavement shall not vary more than ¼ inch when evaluated with a 16 foot straightedge. The lot size shall be [] square yards (square meters). Smoothness measurements shall be made at 50 foot intervals and as determined by the Engineer. In the longitudinal direction, a smoothness reading shall be made at the center of each paving lane. In the transverse direction, smoothness readings shall be made continuously across the full width of the pavement. However, transverse smoothness readings shall not be made across designed grade changes. At warped transition areas, straightedge position shall be adjusted to measure surface smoothness and not design grade transitions. When more than 15 percent of all measurements within a lot exceed the specified tolerance, the Contractor shall remove the deficient area to the depth of the final course of pavement and replace with new material. Skin patching shall not be

permitted. Isolated high points may be ground off providing the course thickness complies with the thickness specified on the plans. High point grinding will be limited to 15 square yards. Areas in excess of 15 square yards will require removal and replacement of the pavement in accordance with the limitations noted above.

The Engineer shall specify the lot size. A minimum of 2,000 square yards (1 650 square meters) is recommended.

Use of a profilograph can be included in the specifications for surface smoothness for runways and taxiways on a case by case basis provided it is approved by the FAA. Use of a profilograph may not be practical for all asphalt construction. Thin lift overlays and other minimum resurfacing may not allow for removal of existing pavement roughness. However, the use of the profilograph is recommended for new construction or overlays designed to correct grade and smoothness deficiencies. If the profilograph is to be included, straightedge requirements need only apply to the perpendicular direction. To include profilograph requirements, add ASTM E 1274 to the referenced testing list and add the following:

(a) Profilograph. The Contractor shall furnish a 25 foot wheel base California type profilograph and competent operator to measure pavement surface deviations. The profilograph shall be operated in accordance with the manufacturer’s instructions and at a speed no greater than 3 mph. Original profilograms for the appropriate locations interpreted in accordance with ASTM E 1274 shall be furnished to the Engineer. The profilograms shall be recorded on a scale of one inch equal to 25 feet longitudinally and one inch equal to one inch (or full scale) vertically. Profilographs shall be calibrated prior to testing.

The surface of the runway and/or taxiway pavements of continuous placement of 50 feet or more shall be tested and evaluated as described herein. One pass along the centerline shall be required for each paving lane. Runs shall be continuous through a day’s production. Each trace shall be completely labeled to show paving lane and stationing.

The Contractor shall furnish paving equipment and employ methods that produce a riding surface for each section of pavement having an average profile index meeting the requirements of Table 7. A typical section will be considered to be the width of the paving lane and 1/10 of a mile long. The profile index will be determined in accordance with ASTM E 1274. A blanking band of 0.2 inches shall be used. Within each 1/10 mile section, all areas represented by high points having a deviation in excess of 0.4 inches in 25 feet or less shall be removed by the Contractor using an approved method. After removing all individual deviations in excess of 0.4 inches, additional corrective work shall be performed if necessary to achieve the required ride quality. All corrective work shall be completed prior to determination of pavement thickness.

On pavement sections where corrections were necessary, second profilograph runs shall be performed to verify that the corrections have produced an average profile index of 15 inches per mile or less. If the initial average profile index was less than 15, only those areas representing greater than 0.4 inch deviation will be re-profiled for correction verification.

Individual sections shorter than 50 feet and the last 15 feet of any section where the Contractor is not responsible for the adjoining section shall be straightedged in accordance with paragraph 401-5.2b(5).

If there is a section of 250 feet or less, the profilogram for the section shall be included in the evaluation of the previous section. If there is an independently placed section of 50

to 250 feet in length, a profilogram shall be made for that section and the pay adjustment factors for short section of Table 7 shall apply.

All costs necessary to provide the profilograph and related to furnishing the appropriate profilograms as required in this provision are incidental to pavement construction and no direct compensation will be made therefore.

(6) **Grade.** The finished surface of the pavement shall not vary from the gradeline elevations and cross sections shown on the plans by more than 1/2 inch (12.70 mm). The finished grade of each lot will be determined by running levels at intervals of 50 feet (15.2 m) or less longitudinally and all breaks in grade transversely (not to exceed 50 feet) to determine the elevation of the completed pavement. The Contractor shall pay the cost of surveying of the level runs that shall be performed by a licensed surveyor. The documentation, stamped and signed by a licensed surveyor, shall be provided by the Contractor to the Engineer. The lot size shall be [] square yards (square meters). When more than 15 percent of all the measurements within a lot are outside the specified tolerance, or if any one shot within the lot deviates 3/4 inch or more from planned grade, the Contractor shall remove the deficient area to the depth of the final course of pavement and replace with new material. Skin patching shall not be permitted. Isolated high points may be ground off providing the course thickness complies with the thickness specified on the plans. The surface of the ground pavement shall have a texture consisting of grooves between 0.090 and 0.130 inches wide. The peaks and ridges shall be approximately 1/32 inch higher than the bottom of the grooves. The pavement shall be left in a clean condition. The removal of all of the slurry resulting from the grinding operation shall be continuous. The grinding operation should be controlled so the residue from the operation does not flow across other lanes of pavement. High point grinding will be limited to 15 square yards. Areas in excess of 15 square yards will require removal and replacement of the pavement in accordance with the limitations noted above.

A minimum of 2,000 square yards (1 650 square meters) is recommended.

c. **Percentage of Material Within Specification Limits (PWL).** The percentage of material within specification limits (PWL) shall be determined in accordance with procedures specified in Section 110 of the General Provisions. The specification tolerance limits (L) for lower and (U) for upper are contained in Table 5.

d. **Outliers.** All individual tests for mat density and air voids shall be checked for outliers (test criterion) in accordance with ASTM E 178, at a significance level of 5 percent. Outliers shall be discarded, and the PWL shall be determined using the remaining test values.

The specification tolerance limits applicable to the project, based on design criteria specified in Table 1, shall be specified by the Engineer from the information shown below and inserted into Table 5. Asterisks denote insert points.

TABLE 5. MARSHALL ACCEPTANCE LIMITS FOR STABILITY, FLOW, AIR VOIDS, DENSITY

TEST PROPERTY	Pavements Designed for Aircraft Gross Weights of 60,000 Lbs. or More or Tire Pressures of 100 Psi or More		Pavements Designed for Aircraft Gross Weights Less Than 60,000 Lbs. or Tire Pressures Less Than 100 Psi	
	75		50	
Number of Blows	Specification Tolerance Limits		Specification Tolerance Limits	
	L	U	L	U
Stability, minimum, pounds	1800	--	1000	--
Flow, 0.01-inch	8	16	8	20
Air Voids Total Mix, percent	2	5	2	5
Surface Course Mat Density, percent	96.3	[101.3]	96.3	[101.3]
Base Course Mat Density, percent	95.5	101.3]--	95.5	[101.3]
Joint density, percent	93.3	--	93.3	--

NOTE TO ENGINEER. The Engineer may specify both upper and lower PWL acceptance criteria (two-sided) for density. Use 101.3 as the Upper tolerance limits when two-sided density acceptance criteria is specified AND insert edit paragraph 401-8.1. See Notes to Engineer following paragraph 401-8.1.

TABLE 5. MARSHALL ACCEPTANCE LIMITS FOR STABILITY, FLOW, AIR VOIDS, DENSITY

TEST PROPERTY	*	
Number of Blows	*	
	Specification Tolerance	
	L	U
Stability, minimum, pounds	*	*
Flow, 0.01-inch	*	*
Air Voids Total Mix, percent	*	*
Mat Density, percent	*	*
Joint density, percent	*	*

The criteria in Table 5 is based on production processes which have a variability with the following standard deviations:

- Surface Course Mat Density (%), 1.30
- Base Course Mat Density (%), 1.55
- Joint Density (%), 2.1

The Contractor should note that (1) 90 PWL is achieved when consistently producing a surface course with an average mat density of at least 98 percent with 1.30% or less variability, (2) 90 PWL is achieved when consistently producing a base course with an average mat density of at least 97.5 percent with 1.55% or less variability, and (3) 90 PWL is achieved when consistently producing joints with an average joint density of at least 96 percent with 2.1% or less variability.

A lot is the quantity of material to be controlled and may represent a specified tonnage or a specified number of truckloads. The lot size, to be determined by the Engineer, should, for the most part, depend on the operational capacity of the plant, but shall in no case exceed 2,000 tons (1 814 000 kg) in accordance with paragraph 401-5.1a.

401-5.3 RESAMPLING PAVEMENT FOR MAT DENSITY.

a. General. Resampling of a lot of pavement will only be allowed for mat density, and then, only if the Contractor requests same, in writing, within 48 hours after receiving the written test results from the Engineer. A retest will consist of all the sampling and testing procedures contained in paragraphs 401-5.1b and 401-5.2b(1). Only one resampling per lot will be permitted.

(1) A redefined PWL shall be calculated for the resampled lot. The number of tests used to calculate the redefined PWL shall include the initial tests made for that lot plus the retests.

(2) The cost for resampling and retesting shall be borne by the Contractor.

b. Payment for Resampled Lots. The redefined PWL for a resampled lot shall be used to calculate the payment for that lot in accordance with Table 6.

c. Outliers. Check for outliers in accordance with ASTM E 178, at a significance level of 5 percent.

[401-5.4 LEVELING COURSE. Any course used for truing and leveling shall meet the requirements of paragraph 401-3.2, 401-5.2b(1) for air voids and 401-5.2b(2), but shall not be subject to the density requirements of paragraph 401-5.2b(1) for mat density and 401-5.2b(3). The leveling course shall be compacted with the same effort used to achieve density of the test section. The truing and leveling course shall not exceed a nominal thickness of 1-½ inches (37.5 mm). The leveling course is the first variable thickness lift of an overlay placed prior to subsequent courses.]

Use this paragraph only when there is a need to restore proper cross-section prior to overlaying. Areas of the pavement requiring a leveling course shall be shown on the plans.

CONTRACTOR QUALITY CONTROL

401-6.1 GENERAL. The Contractor shall develop a Quality Control Program in accordance with Section 100 of the General Provisions. The program shall address all elements that affect the quality of the pavement including, but not limited to:

- a. Mix Design
- b. Aggregate Grading
- c. Quality of Materials
- d. Stockpile Management
- e. Proportioning
- f. Mixing and Transportation
- g. Placing and Finishing
- h. Joints
- i. Compaction

- j. Surface Smoothness
- k. Personnel
- l. Laydown Plan

The Contractor shall perform quality control sampling, testing, and inspection during all phases of the work and shall perform them at a rate sufficient to ensure that the work conforms to the contract requirements, and at minimum test frequencies required by paragraph 401-6.3 and Section 100 of the General Provisions. As a part of the process for approving the Contractor’s plan, the Engineer may require the Contractor’s technician to perform testing of samples to demonstrate an acceptable level of performance.

No partial payment will be made for materials that are subject to specific quality control requirements without an approved plan.

401-6.2 TESTING LABORATORY. The Contractor shall provide a fully equipped asphalt laboratory meeting the requirements of paragraph 401-3.5 and 401-4.2a(2) located at the plant or job site. The Contractor shall provide the Engineer with certification stating that all of the testing equipment to be used is properly calibrated and will meet the specifications applicable for the specified test procedures.

401-6.3 QUALITY CONTROL TESTING. The Contractor shall perform all quality control tests necessary to control the production and construction processes applicable to these specifications and as set forth in the approved Quality Control Program. The testing program shall include, but not necessarily be limited to, tests for the control of asphalt content, aggregate gradation, temperatures, aggregate moisture, field compaction, and surface smoothness. A Quality Control Testing Plan shall be developed as part of the Quality Control Program.

a. Asphalt Content. A minimum of two tests shall be performed per lot in accordance with ASTM D 6307 or ASTM D 2172 for determination of asphalt content. The weight of ash portion of the test, as described in ASTM D 2172, shall be determined as part of the first test performed at the beginning of plant production; and as part of every tenth test performed thereafter, for the duration of plant production. The last weight of ash value obtained shall be used in the calculation of the asphalt content for the mixture. The asphalt content for the lot will be determined by averaging the test results.

The use of the nuclear method for determining asphalt content in accordance with ASTM D 4125 is permitted, provided that it is calibrated for the specific mix being used.

b. Gradation. Aggregate gradations shall be determined a minimum of twice per lot from mechanical analysis of extracted aggregate in accordance with ASTM D 5444 and ASTM C 136 (Dry Sieve). When asphalt content is determined by the nuclear method, aggregate gradation shall be determined from hot bin samples on batch plants, or from the cold feed on drum mix or continuous mix plants, and tested in accordance with ASTM C 136 (dry sieve) using actual batch weights to determine the combined aggregate gradation of the mixture.

c. Moisture Content of Aggregate. The moisture content of aggregate used for production shall be determined a minimum of once per lot in accordance with ASTM C 566.

d. Moisture Content of Mixture. The moisture content of the mixture shall be determined once per lot in accordance with ASTM D 1461 [or AASHTO T110].

ASTM D 1461 may be replaced with AASHTO T110 moisture content testing procedure using a conventional oven or microwave.

e. Temperatures. Temperatures shall be checked, at least four times per lot, at necessary locations to determine the temperatures of the dryer, the bitumen in the storage tank, the mixture at the plant, and the mixture at the job site.

f. In-Place Density Monitoring. The Contractor shall conduct any necessary testing to ensure that the specified density is being achieved. A nuclear gauge may be used to monitor the pavement density in accordance with ASTM D 2950.

g. Additional Testing. Any additional testing that the Contractor deems necessary to control the process may be performed at the Contractor's option.

h. Monitoring. The Engineer reserves the right to monitor any or all of the above testing.

401-6.4 SAMPLING. When directed by the Engineer, the Contractor shall sample and test any material that appears inconsistent with similar material being sampled, unless such material is voluntarily removed and replaced or deficiencies corrected by the Contractor. All sampling shall be in accordance with standard procedures specified.

401-6.5 CONTROL CHARTS. The Contractor shall maintain linear control charts both for individual measurements and range (i.e., difference between highest and lowest measurements) for aggregate gradation and asphalt content.

Control charts shall be posted in a location satisfactory to the Engineer and shall be kept current. As a minimum, the control charts shall identify the project number, the contract item number, the test number, each test parameter, the Action and Suspension Limits applicable to each test parameter, and the Contractor's test results. The Contractor shall use the control charts as part of a process control system for identifying potential problems and assignable causes before they occur. If the Contractor's projected data during production indicates a problem and the Contractor is not taking satisfactory corrective action, the Engineer may suspend production or acceptance of the material.

a. Individual Measurements. Control charts for individual measurements shall be established to maintain process control within tolerance for aggregate gradation and asphalt content. The control charts shall use the job mix formula target values as indicators of central tendency for the following test parameters with associated Action and Suspension Limits:

CONTROL CHART LIMITS FOR INDIVIDUAL MEASUREMENTS		
Sieve	Action Limit	Suspension Limit
¾ inch (19.0 mm)	0%	0%
½ inch (12.5 mm)	+/-6%	+/-9%
⅜ inch (9.5 mm)	+/-6%	+/-9%
No. 4 (4.75 mm)	+/-6%	+/-9%
No. 16 (1.18 mm)	+/-5%	+/-7.5%
No. 50 (0.30 mm)	+/-3%	+/-4.5%
No. 200 (0.075 mm)	+/-2%	+/-3%
Asphalt Content	+/-0.45%	+/-0.70%

b. Range. Control charts for range shall be established to control process variability for the test parameters and Suspension Limits listed below. The range shall be computed for each lot as the difference between the two test results for each control parameter. The Suspension Limits specified below are based on a sample size of $n = 2$. Should the Contractor elect to perform more than two tests per lot, the Suspension Limits shall be adjusted by multiplying the Suspension Limit by 1.18 for $n = 3$ and by 1.27 for $n = 4$.

CONTROL CHART LIMITS BASED ON RANGE (Based on $n = 2$)	
Sieve	Suspension Limit
½ inch (12.5 mm)	11 percent
⅜ inch (9.5 mm)	11 percent

No. 4 (4.75 mm)	11 percent
No. 16 (1.18 mm)	9 percent
No. 50 (0.30 mm)	6 percent
No. 200 (0.075 mm)	3.5 percent
Asphalt Content	0.8 percent

c. Corrective Action. The Contractor Quality Control Program shall indicate that appropriate action shall be taken when the process is believed to be out of tolerance. The Plan shall contain sets of rules to gauge when a process is out of control and detail what action will be taken to bring the process into control. As a minimum, a process shall be deemed out of control and production stopped and corrective action taken, if:

- (1) One point falls outside the Suspension Limit line for individual measurements or range; or
- (2) Two points in a row fall outside the Action Limit line for individual measurements.

The aggregate control chart parameters and Suspension and Action Limits contained in the above paragraphs are based on ¾ inch (19.0 mm) maximum size aggregate gradation. When 1-inch (25.0 mm) or 1-½ inch (37.5 mm) maximum size aggregate is specified, the Individual Measurements Chart requirements should be amended as follows:

Sieve	Action Limit	Suspension Limit
1 inch or 1-½ inch	0%	0%
¾ inch	6%	11%

When ½-inch (12.5 mm) maximum size aggregate is specified, the ¾-inch (19.0 mm) and 1-inch (25.0 mm) sieves should be deleted from the Individual Measurements Chart and the ½-inch (12.5 mm) sieve Action and Suspension Limits should be changed to 0%. For the ½-inch (12.5 mm) gradation, the ½-inch sieve should be deleted from the Range Chart.

401-6.6 QUALITY CONTROL REPORTS. The Contractor shall maintain records and shall submit reports of quality control activities daily, in accordance with the Contractor Quality Control Program described in General Provisions, Section 100.

METHOD OF MEASUREMENT

401-7.1 MEASUREMENT. Plant mix bituminous concrete pavement shall be measured by the number of tons (kg) of bituminous mixture used in the accepted work. Recorded batch weights or truck scale weights will be used to determine the basis for the tonnage.

Saw-cut grooving of bituminous pavement shall be measured by the number of square yards of saw-cut grooving as specified in-place, completed and accepted.

BASIS OF PAYMENT

401-8.1 PAYMENT. Payment for an accepted lot of bituminous concrete pavement shall be made at the contract unit price per ton (kg) for bituminous mixture adjusted according to paragraph 401-8.1a, subject to the limitation that:

The total project payment for plant mix bituminous concrete pavement shall not exceed [] percent of the product of the contract unit price and the total number of tons (kg) of bituminous mixture used in the accepted work (See Note 2 under Table 6).

Payment for accepted saw-cut grooving shall be made at the contract unit price per square yard.

The price shall be compensation for furnishing all materials, for all preparation, mixing, and placing of these materials, and for all labor, equipment, tools, and incidentals necessary to complete the item.

The Engineer shall specify a value ranging from 100 to the maximum lot pay factor amount. (106 percent for single-sided density or 103 percent when double-sided density is specified.) When the total project payment for Item P-401 pavement exceeds the contract unit price, any AIP or PFC funds used to pay the excess may require an amendment to the AIP grant or PFC application for the project.

a. Basis of Adjusted Payment. The pay factor for each individual lot shall be calculated in accordance with Table 6. A pay factor shall be calculated for both mat density and air voids. The lot pay factor shall be the higher of the two values when calculations for both mat density and air voids are 100 percent or higher. The lot pay factor shall be the product of the two values when only one of the calculations for either mat density or air voids is 100 percent or higher. The lot pay factor shall be the lower of the two values when calculations for both mat density and air voids are less than 100 percent.

TABLE 6. PRICE ADJUSTMENT SCHEDULE ¹

Percentage of Material Within Specification Limits (PWL)	Lot Pay Factor (Percent of Contract Unit Price)
96 – 100	106
90 – 95	PWL + 10
75 – 89	0.5 PWL + 55
55 – 74	1.4PWL – 12
Below 55	Reject ²

¹ ALTHOUGH IT IS THEORETICALLY POSSIBLE TO ACHIEVE A PAY FACTOR OF 106 PERCENT FOR EACH LOT, ACTUAL PAYMENT ABOVE 100 PERCENT SHALL BE SUBJECT TO THE TOTAL PROJECT PAYMENT LIMITATION SPECIFIED IN PARAGRAPH 401-8.1.

² The lot shall be removed and replaced. However, the Engineer may decide to allow the rejected lot to remain. In that case, if the Engineer and Contractor agree in writing that the lot shall not be removed, it shall be paid for at 50 percent of the contract unit price and the total project payment shall be reduced by the amount withheld for the rejected lot.

For each lot accepted, the adjusted contract unit price shall be the product of the lot pay factor for the lot and the contract unit price. Payment shall be subject to the total project payment limitation specified in paragraph 401-8.1. Payment in excess of 100 percent for accepted lots of bituminous concrete pavement shall be used to offset payment for accepted lots of bituminous concrete pavement that achieve a lot pay factor less than 100 percent.

NOTE TO ENGINEER. The Engineer may specify both upper and lower PWL acceptance criteria (two-sided) for density. Use the following pay adjustment schedule when two-sided acceptance criteria for density is specified edit Table 5 to include the Upper tolerance limits and edit paragraph 401-8.1.

TABLE 6. PRICE ADJUSTMENT SCHEDULE ¹

Percentage of Material Within Specification Limits (PWL)	Lot Pay Factor (Percent of Contract Unit Price)
93 – 100	103
90 – 93	PWL + 10
70 – 89	0.125PWL + 88.75
40 – 69	0.75PWL + 45
Below 40	Reject ²

¹ ALTHOUGH IT IS THEORETICALLY POSSIBLE TO ACHIEVE A PAY FACTOR OF 103 PERCENT FOR EACH LOT, ACTUAL PAYMENT ABOVE 100 PERCENT SHALL BE SUBJECT TO THE TOTAL PROJECT PAYMENT LIMITATION SPECIFIED IN PARAGRAPH 401-8.1.

² The lot shall be removed and replaced. However, the Engineer may decide to allow the rejected lot to remain. In that case, if the Engineer and Contractor agree in writing that the lot shall not be removed, it shall be paid for at 50 percent of the contract unit price AND THE TOTAL PROJECT PAYMENT LIMITATION SHALL BE REDUCED BY THE AMOUNT WITHHELD FOR THE REJECTED LOT.

If a profilograph is used, add the following paragraphs and change existing paragraph 401-8.1b to 401-8.1d (The pay adjustment in Table 7 is optional to the Owner and Engineer when using the profilograph):

b. Profilograph Smoothness. When the final average profile index (subsequent to any required corrective action) does not exceed 7 inches per mile, payment will be made for that section at the contract unit price for the completed pavement. If the final average profile index (subsequent to any required corrective action) exceeds 7 inches per mile, but does not exceed 15 inches per mile, the Contractor may elect to accept a contract unit price adjustment in lieu of reducing the profile index.

c. Basis of Adjusted Payment for Smoothness. Price adjustment for pavement smoothness will be made in accordance with Table 7. The adjustment will apply to the total tonnage of asphalt concrete within a lot of pavement and shall be applied with the following equation:

$$(\text{Tons of asphalt concrete in lot}) \times (\text{lot pay factor}) \times (\text{unit price per ton}) \times (\text{smoothness pay factor}) = \text{payment for lot}$$

TABLE 7. AVERAGE PROFILE INDEX SMOOTHNESS PAY FACTOR

(Inches per mile per 1/10 mile)	Short Sections	Pay Factor
00.0 - 7	00.0 - 15.0	100%
7.1 - 9	15.1 - 16	98%
9.1 - 11	16.1 - 17	96%
11.1 - 13	17.1 - 18	94%
13.1 - 14	18.1 - 20	92%
14.1 - 15	20.1 - 22	90%
15.1 & up	22.1& up	corrective work required ¹

1The Contractor shall correct pavement areas not meeting these tolerances by removing and replacing the defective work. If the Contractor elects to construct an overlay to correct deficiencies, the minimum thickness of the overlay shall not be less than twice the size of the maximum size aggregate. The corrective overlay shall not violate grade criteria and butt joints shall be constructed by sawing and removing the original pavement in compliance with the thickness/maximum aggregate size ratio. Skin patching shall not be permitted.

Unit bid price adjustment will apply to total bituminous mixture and asphalt cement quantities within the 1/10 mile segment of pavement. Deductions will be applied to recorded project quantities. Any pavement section less than 1/10 mile will be accepted on a pro-rated basis.

Material used in building the pavement above the specified grade shall not be included in the quantities for payment.

b. Payment. Payment will be made under:

- Item P-401-8.1a Bituminous **[Surface] [Base] [Binder] [Leveling]** Course—per ton (kg)
- Item P-401-8.1b Saw-Cut Grooving—per square yard

TESTING REQUIREMENTS

- ASTM C 29 Bulk Density (“Unit Weight”) and Voids in Aggregate
- ASTM C 88 Soundness of Aggregates by Use of Sodium Sulfate or Magnesium Sulfate
- ASTM C 117 Materials Finer than 75µm (No.200) Sieve in Mineral Aggregates by Washing
- ASTM C 127 Specific Gravity and Absorption of Coarse Aggregate
- ASTM C 131 Resistance to Degradation of Small Size Coarse Aggregate by Abrasion and Impact in the Los Angeles Machine
- ASTM C 136 Sieve Analysis of Fine and Coarse Aggregates

ASTM C 183	Sampling and the Amount of Testing of Hydraulic Cement
ASTM C 566	Total Evaporable Moisture Content of Aggregate by Drying
ASTM D 75	Sampling Aggregates
ASTM D 979	Sampling Bituminous Paving Mixtures
ASTM D 995	Mixing Plants for Hot-Mixed Hot-Laid Bituminous Paving Mixtures
ASTM D 1073	Fine Aggregate for Bituminous Paving Mixtures
ASTM D 1188	Bulk Specific Gravity and Density of Compacted Bituminous Mixtures Using Paraffin-Coated Specimens
ASTM D 1461	Moisture or Volatile Distillates in Bituminous Paving Mixtures
ASTM D 2041	Theoretical Maximum Specific Gravity and Density of Bituminous Paving Mixtures
ASTM D 2172	Quantitative Extraction of Bitumen from Bituminous Paving Mixtures
ASTM D 2419	Sand Equivalent Value of Soils and Fine Aggregate
ASTM D 2489	Estimating Degree of Particle Coating of Bituminous-Aggregate Mixtures
ASTM D 2726	Bulk Specific Gravity and Density of Non-Absorptive Compacted Bituminous Mixtures
ASTM D 2950	Density of Bituminous Concrete in Place by Nuclear Methods
ASTM D 3203	Percent Air Voids in Compacted Dense and Open Bituminous Paving Mixtures
ASTM D 3665	Random Sampling of Construction Materials
ASTM D 3666	Minimum Requirements for Agencies Testing and Inspecting Road and Paving Materials
ASTM D 4125	Asphalt Content of Bituminous Mixtures by the Nuclear Method
ASTM D 4318	Liquid Limit, Plastic Limit, and Plasticity Index of Soils
ASTM D 4791	Flat Particles, Elongated Particles, or Flat and Elongated Particles in Coarse Aggregate
ASTM D 4867	Effect of Moisture on Asphalt Concrete Paving Mixtures
ASTM D 5444	Mechanical Size Analysis of Extracted Aggregate
ASTM D 6926	Preparation of Bituminous Specimens Using MARSHALL Apparatus
ASTM D 6927	MARSHALL Stability and Flow of Bituminous Mixtures
ASTM E 11	Wire-Cloth Sieves for Testing Purposes

ASTM E 178	Dealing with Outlying Observations
ASTM E 1274	Measuring Pavement Roughness Using a Profilograph
AASHTO T 30	Mechanical Analysis of Extracted Aggregate
[AASHTO T 110	Moisture or Volatile Distillates in Bituminous Paving Mixtures]
The Asphalt Institute's Manual No. 2 (MS-2)	Mix Design Methods for Asphalt Concrete

MATERIAL REQUIREMENTS

ASTM D 242	Mineral Filler for Bituminous Paving Mixtures
ASTM D 946	Penetration Graded Asphalt Cement for Use in Pavement Construction
ASTM D 3381	Viscosity-Graded Asphalt Cement for Use in Pavement Construction
ASTM D 4552	Classifying Hot-Mix Recycling Agents
AASHTO M320	Performance Graded Asphalt Binder

END OF ITEM P-401

Intentionally Left Blank

ITEM P-402 POROUS FRICTION COURSE

(Central Plant Hot Mix)

DESCRIPTION

402-1.1 This item shall consist of a plant mixed, open-graded porous friction course, composed of mineral aggregate and bituminous material, mixed in a central mixing plant, and placed on a prepared surface in accordance with these specifications and shall conform to the dimensions and typical cross section as shown on the plans.

The porous friction course (PFC) shall be designed as a free draining wearing surface of uniform thickness. The PFC must be placed on a prepared surface, which drains freely and does not allow ponding. The PFC should not be applied over an existing PFC. Any existing PFC should be removed and the entire surface leveled prior to placement of a new PFC.

MATERIALS

402-2.1 AGGREGATE. The aggregate shall consist of crushed stone, crushed gravel, or crushed slag with or without other inert finely divided mineral aggregate. The aggregate shall be composed of clean, sound, tough, durable particles, free from clay balls, organic matter, and other deleterious substances. The portion of the material retained on the No. 4 sieve shall be known as coarse aggregate, the portion passing the No. 4 sieve and retained on the No. 200 sieve as fine aggregate, and the portion passing the No. 200 sieve as mineral filler.

a. Coarse Aggregate. Coarse aggregate shall contain at least 75 percent by weight crushed pieces having two or more fractured faces and 100 percent by weight particles with one or more fractured faces. The area of each face shall be equal to at least 75 percent of the smallest mid-sectional area of the piece. When two fractures are contiguous, the angle between the planes of fractures shall be at least 30 degrees to count as two fractured faces. Fractured faces shall be obtained by crushing. The coarse aggregate shall not contain more than 8 percent, by weight of flat or elongated pieces as defined in ASTM D 693. The percentage of wear shall not be greater than 30 percent when tested in accordance with ASTM C 131. The sodium sulfate soundness loss shall not exceed 12 percent after five cycles, when tested in accordance with ASTM C 88.

b. Fine Aggregate. Fine aggregate shall have a plasticity index of not more than 6.0 and a liquid limit of not more than 25 when tested in accordance with ASTM D 4318. The percentage of wear shall not be greater than 30 percent when tested in accordance with ASTM C 131. The sodium sulfate soundness loss shall not exceed 12 percent after five cycles, when tested in accordance with ASTM C 88.

If necessary, natural sand may be used to obtain the gradation of aggregate blend or workability. The amount of sand to be added will be adjusted to produce mixtures conforming to requirements of this specification.

402-2.2 FILLER. If filler, in addition to that naturally present in the aggregate, is necessary, it shall meet the requirements of ASTM D 242. When mineral filler is required to be batched separately, hydrated lime in the amount of 1.5 percent maximum by weight of the total aggregate shall be batched as part of the added mineral filler. No additional compensation will be allowed the Contractor for furnishing and using hydrated lime or other approved mineral filler that may be required by this specification.

402-2.3 BITUMINOUS MATERIAL. The bituminous material shall be viscosity graded asphalt cement meeting Table 1 of this section and ASTM D-3381, Table 2. A synthetic rubber additive shall be added to the bitumen in an amount not less than 2 percent by weight (% by weight of synthetic rubber solids). The bitumen and additive shall be uniformly mixed to provide a mixture meeting the following requirements:

FOR FAA CENTRAL REGION PROJECTS:

TABLE 1			
<u>Property</u>	<u>ASTM</u>	<u>Min.</u>	<u>Max.</u>
Viscosity @ 140°F., Poises	D-2171	1600	2400
Viscosity @ 275°F., cSt.	D-2170	325	
Flash Point, °F.,	D-92	450	
Ductility @ 77°F (5 cm/min) cm.	D-113	100	
Ductility @ 39.2°F (5 cm/min) cm.	D-113	50	
Toughness, inch-pounds	D-5801	110	
Tenacity, inch-pounds	D-5801	75	
Thin Film Oven Test:			
Tests on Residue			
Viscosity @ 140°F., Poises	D-2170	--	8000
Ductility @ 77°F., (5 cm/min) cm	D-113	100	
Ductility @ 39.2°F., (5 cm/min) cm	D-113	25	

Certified test results plus a sample of the bitumen-synthetic rubber mixture shall be provided for each tank load shipped to the project or for each mixed batch, whichever is smaller. Samples being tested shall contain the anti-stripping additive. No material shall be used before the test results are delivered to the Engineer. The Engineer will conduct independent acceptance tests on random samples. Material placed which does not meet specification requirements shall be removed and replaced at no additional cost to the owner. A temperature-viscosity curve for the material shall be provided to the Engineer.

Samples shall be taken, however a minimum of one sample shall be tested by the Engineer to verify the submitted certification. Additional samples shall be tested if results are borderline or for any other reason. The initial test is recommended to be done early in the project.

402-2.4 ANTI-STRIPPING AGENT. Any anti-stripping agent or additive if required shall be heat stable, shall not change the asphalt cement viscosity beyond specifications, shall contain no harmful ingredients, shall be added in recommended proportion by approved method, and shall be a material approved by the Department of Transportation of the State in which the project is located.

COMPOSITION

402-3.1 COMPOSITION OF MIXTURE. The porous friction course shall be composed of aggregate, filler, bituminous material-synthetic rubber mixture, and anti-stripping agent.

402-3.2 JOB MIX FORMULA. No bituminous mixture shall be produced for payment until the Engineer has given written approval of the job mix formula. The job mix shall be prepared by a certified laboratory at the Contractor's expense and shall remain in effect for the duration of the project. The job mix formula shall establish a single percentage of aggregate passing each required sieve size, a single percentage of bituminous material to be added to the aggregate, the amount of anti strip agent to be added (minimum of one half of one percent by weight), and a single temperature for the mixture as it is discharged into the hauling units. Silicone may be added to the

mixture at a maximum rate of 1 ounce per 5,000 gallons of asphalt to facilitate laydown and rolling. Proper asphalt content shall be determined by mixing trial batches in the laboratory.

The job mix formula shall be submitted to the Engineer at least [30] days prior to the start of paving and shall include:

- a. Percent passing each sieve size and gradation requirements.
- b. Percent of asphalt cement.
- c. Asphalt viscosity.
- d. Mixing temperature range.
- e. Temperature of mix when discharged from the mixer.
- f. Temperature viscosity relationship of the asphalt cement.
- g. Percent of wear (LA abrasion).
- h. Plasticity Index and Liquid Limit of fine aggregate.
- i. Percent fractured faces.
- j. Percent elongated particles.
- k. Anti-strip agent.

The Contractor shall submit samples to the Engineer, upon request, for job mix formula verification testing.

The combined aggregate shall be of such size that the percentage composition by weight, as determined by laboratory sieves, will conform to the gradation shown in Table 2 when tested in accordance with ASTM C 136.

The gradations in Table 2 represent the limits, which determine the suitability of the aggregate for use from the source of supply. The aggregate, as finally selected, shall have a gradation within the limits designated in Table 2 and shall not vary from the low limit on one sieve to the high limit on the adjacent sieve, or vice versa, but shall be uniformly graded from coarse to fine.

**TABLE 2. AGGREGATE-POROUS FRICTION COURSE
PERCENTAGE BY WEIGHT PASSING SIEVES**

Sieve	3/4" maximum	1/2" maximum	Job-Mix (Production) Tolerances **
3/4"	100	---	---
1/2"	70-90	100	+/- 5%
3/8"	40-65	85-95	+/- 5%
#4	15-25	30-45	+/- 5%
#8	8-15	20-30	+/- 2%
#30	5-9	9-17	+/- 2%
#200	1-5	2-7	+/- 2%
Bitumen			+/- 0.2%
Temperature of Mix			+/- 20 degrees F.

** The gradation job mix tolerance limits will apply if they fall outside the master grading band in Table 2 except for the top two sieve sizes starting at the 100% passing band. These two sieve size bands shall also be additional limits for production.

The gradations shown are based on aggregates of uniform specific gravity. The percentages passing the various sieves will be subject to appropriate adjustments by the Engineer when aggregates of varying specific gravities are used. The adjustments to the job mix gradation curve should result in a curve of the same general shape as the median curve of the gradation band in Table 2 and fall within the gradation band.

The Asphalt Institutes Manual Series No. 2 (MS-2) contains a convenient procedure for "adjusting" the job mix gradation when aggregates of non uniform specific gravity are proposed for use.

The bituminous content of porous friction courses shall be expressed as a percentage of the total mix by weight and shall be approved by the Engineer on the basis of laboratory tests. The materials used in the mix design shall be the same as those used on the project.

The bituminous content shall be within plus or minus 1 percent of the value obtained from the formula:

$$2K_c + 4.0$$

where K_c is the surface area constant for that part of the total dry aggregate that will pass a 3/4" (19.0 mm) sieve and be retained on the No. 4 (4.75 mm) sieve. Procedures for determining K_c are contained in the Asphalt Institute's Manual Series No. 2 (MS-2). The bituminous content so estimated is the percentage by weight of the total dry aggregates and must be converted to the percent by weight of the total mix in the approved job-mix formula.

The laboratory used to develop the job mix formula shall meet the requirements of ASTM D 3666. A certification signed by the lab manager of the laboratory stating that it meets these requirements shall be submitted to the Engineer prior to the start of construction. The certification shall contain as a minimum:

- a. Qualifications of personnel; laboratory manager, supervising technician, and testing technicians.
- b. A listing of equipment to be used in developing the job mix.
- c. A copy of the laboratory's quality control system.
- d. Evidence of participation in the AASHTO Materials Reference Laboratory (AMRL) program.

402-3.3 TEST SECTION. At least one full day prior to full production, the Contractor shall prepare a quantity of bituminous mixture according to the approved job mix formula. The amount of mixture should be sufficient to construct a test section at least 50 feet long and 20 feet wide, placed in two sections and of the same depth specified on the plans. The test area will be designated by the Engineer. The underlying pavement on which the test section is to be constructed shall be the same as the remainder of the course represented by the test section. The equipment to be used in construction of the test section shall be the same type and weight to be used on the remainder of the course represented by the test section. No bituminous mixture shall be produced for payment prior to successful placement of and acceptance of a test strip by the Engineer.

If the test section should prove to be unsatisfactory, the necessary adjustments to plant operation, and/or placement procedures shall be made. Additional test sections, as required, shall be constructed and evaluated for conformance to the specifications. When the test section does not conform to specification requirements the test section shall be removed and replaced at the Contractors expense. Full production shall not begin without approval of the Engineer. Test sections, which conform to specification requirements, shall be measured and paid in accordance with Paragraphs 402-5.1 and 402-6.1. The asphalt content may be adjusted by the Engineer during the test section and will be used as the target asphalt content.

Note: The AC content should be adjusted during the placement of test section. One method to establish the optimum AC content is with the use of a glass dish. Various AC content mixes are made in increments of 0.5% (5.5%, 6.0%, 6.5%, etc.). The mix that will completely cover the bottom of the dish should be used to start the test strip. The AC content should then be increased in the test strip until it starts to bleed. The content then is decreased by 0.5%.

CONSTRUCTION METHODS

402-4.1 WEATHER AND SEASONAL LIMITATIONS. The porous friction course shall be constructed only on a dry surface when the atmospheric temperature is 50 F (10 C) and rising (at calm wind conditions) and when the weather is not foggy or rainy.

402-4.2 BITUMINOUS MIXING PLANT. Plants used for the preparation of bituminous mixtures shall conform to the requirements of ASTM D 995 with the following changes:

a. Requirements for all Plants.

(1) **Truck Scales.** The bituminous mixture shall be weighed on approved scales furnished by the Contractor, or on public scales at the Contractor's expense. Such scales shall be inspected and sealed as often as the Engineer deems necessary to assure their accuracy. Scales shall conform to the requirements of Section 90.

(2) **Testing Laboratory.** The Contractor or producer shall provide laboratory facilities for control and acceptance testing functions during periods of mix production, sampling, and testing and whenever materials subject to the provisions of these specifications are being supplied or tested. The laboratory shall provide adequate equipment, space, and utilities as required for the performance of the specified tests.

(3) **Inspection of Plant.** The Engineer, or Engineer's authorized representative, shall have access, at all times, to all parts of the plant for checking adequacy of equipment; inspecting operation of the plant; verifying weights, proportions, and materials properties; and checking the temperatures maintained in the preparation of the mixtures.

(4) **Storage Bins and Surge Bins.** Paragraph 3.9 of ASTM D 995 is deleted.

402-4.3 HAULING EQUIPMENT. Trucks used for hauling bituminous mixtures shall have tight, clean, smooth metal beds. Petroleum products shall not be used for coating truck beds. To prevent the mixture from adhering to them, the beds shall be lightly coated with an approved asphalt release agent. The truck beds shall be raised to drain any excess solution before loading the mixture in the trucks. Each truck shall have a suitable cover to protect the mixture from adverse weather. If conditions warrant, truck beds shall be insulated and covers shall be securely fastened so that the mixture will be delivered to the site at the specified temperature.

402-4.4 BITUMINOUS PAVERS. Bituminous pavers shall be self-contained, power-propelled units with an activated screed or strike-off assembly, heated if necessary, and shall be capable of spreading and finishing courses of bituminous plant-mix material which will meet the specified thickness, smoothness, and grade.

The paver shall have a receiving hopper of sufficient capacity to permit a uniform spreading operation. The hopper shall be equipped with a distribution system to place the mixture uniformly in front of the screed. The screed or strike-off assembly shall effectively produce a finished surface of the required smoothness and texture without tearing, shoving, or gouging the mixture.

The paver shall be capable of operating at forward speeds consistent with satisfactory laying of the mixture.

Pavers shall be equipped with an automatic grade control system capable of maintaining the screed elevation as specified herein. The control system shall be automatically activated from either a reference line or surface through a system of mechanical sensors or sensor-directed mechanisms or devices that will maintain the paver screed at a predetermined transverse slope and at the proper elevation to obtain the required surface.

The controls shall be capable of working in conjunction with any of the following attachments:

- a. Ski-Type device of not less than 30 feet in length or as directed by the Engineer.
- b. Taut stringline (wire) set to grade.
- c. Short ski or shoe.
- d. Laser controls.

The controls shall be so arranged that independent longitudinal grade controls can be operated simultaneously on both sides of the machine or independently on either side. The electronic controls shall be arranged so that the machine can be controlled automatically, semi-automatically, or manually.

The automatic equipment shall be capable of controlling the grade to within plus or minus one-eighth inch and the transverse slope to within plus or minus one tenth of one percent from the controlling grade.

The machine shall be equipped with a spirit level or other type of slope indicator that will continuously indicate the average transverse slope of the screen. Curvature of spirit level tubes shall be as required to produce a bubble movement of not less than one-eighth inch for each one-tenth of one percent change in the transverse slope.

The paving machine shall be capable of being equipped with an infrared joint heater if directed by the Engineer. The output of infrared energy shall be in the one to six micron range. Converters shall be arranged end to end directly over the joint to be heated in sufficient numbers to continuously produce, when in operation, a minimum of 240,000 BTU per hour. The joint heater shall be positioned not more than one inch above the pavement to be heated and in front of the paver screed and shall be fully adjustable. Heaters will be required to be in operation at all times.

402-4.5 ROLLERS. Rollers shall be steel wheel. Split drum rollers are not acceptable. They shall be in good condition, capable of reversing without backlash, and operating at slow speeds to avoid displacement of the bituminous mixture. The wheels shall be equipped with adjustable scrapers and sprinkling apparatuses using a water soluble asphalt release agent, approved by the engineer, to prevent the bituminous mixture from sticking to the wheels. The number, type, and weight of rollers shall be sufficient to compact the mixture without detrimentally affecting the material.

402-4.6 PREPARATION OF MINERAL AGGREGATE. The aggregate for the mixture shall be dried and heated at the central mixing plant before entering the mixer. When introduced into the mixer, the combined aggregate moisture content (weighted according to the composition of the blend) shall be less than 0.25 percent for aggregate blends with water absorption of 2.5 percent or less and less than 0.50 percent for aggregate blends with water absorption greater than 2.5 percent. Water absorption of aggregates shall be determined by ASTM C 127 and C 128. The water absorption for the aggregate blend shall be the weighted average of the absorption values for the coarse aggregate retained on the No. 4 sieve (4.75 mm) and the fine aggregate passing the No. 4 sieve (4.75 mm). The water content test will be conducted in accordance with ASTM C 566. In no case shall the moisture content be such that foaming of the mixture occurs prior to placement. At the time of mixing, the temperature of the aggregate shall be within the range specified in the job mix formula. The maximum temperature and rate of heating shall be such that no damage occurs to the aggregates. Particular care shall be taken so that aggregates high in calcium or magnesium content are not damaged by overheating. The aggregate shall be screened to specified sizes and conveyed in separate bins ready for mixing with bituminous material.

402-4.7 PREPARATION OF BITUMINOUS MIXTURE. The bituminous mixture shall be prepared in a central mixing plant. The mixture shall be prepared at the temperature designated by the mix design.

The dry aggregate shall be combined in the plant using the proportionate amounts of each aggregate size required to meet the specified gradation. The quantity of aggregate for each batch shall be determined, measured, and conveyed into the mixer.

The quantity of bituminous material for each batch or the calibrated amount for continuous mixers shall be determined by the certified laboratory that prepared the mix design. It shall be measured by weight and introduced into the mixer within the temperature range specified in the job mix formula. For batch mixers, all aggregates shall be in the mixer before the bitumen material is added. In no case shall the temperature of the aggregate be more than 25°F above the temperature of the bituminous material. Mixing shall continue until all particles are coated uniformly. In no case shall the bituminous mixture be stored in storage silos or surge bins.

402-4.8 TRANSPORTATION AND DELIVERY OF THE MIXTURE. The mixture shall be placed at a temperature between 250°F and 300°F. Loads shall be sent from the plant so that all spreading and compacting of the mixture may be accomplished during daylight hours. Excessive waiting or delay of haul trucks at the job site shall not be allowed and mix supplied at temperatures outside the specified range will not be accepted. Bleeding and rich spots resulting from segregation during transportation shall not be accepted.

402-4.9 SPREADING AND LAYING. Immediately before placing the porous friction course, the underlying course shall be cleared of all loose or deleterious material with power blowers, power brooms, or hand brooms as

directed. A tack coat conforming to Item P-603 Bituminous Tack Coat shall be placed on all existing surfaces for bonding the PFC to the existing surface. Placement of the PFC must be delayed until the tack coat has properly cured.

The mixture shall be deposited from haul units directly into the laydown machine hopper and placed in a continuous operation.

Hauling over material already placed shall not be permitted until the material has been thoroughly compacted and allowed to cure for a period of at least 12 hours.

402-4.10 COMPACTION OF MIXTURE. After spreading, rolling shall be done immediately. Two or four passes, at the discretion of the Engineer, with a steel wheel roller weighing no more than 10 tons, shall be made for compaction. Care should be taken to avoid over rolling or rolling when material is too cool. To prevent adhesion of the mixture to the roller, the wheels shall be kept properly moistened using a water soluble asphalt release agent approved by the engineer. Rolling operations shall be conducted in such a manner that shoving or distortion will not develop. The amount of rolling shall be limited to only that necessary for compacting the porous friction course and bonding it to the underlying surface course. Any mixture, which becomes loose, broken, mixed with dirt, or in any way defective, shall be removed and replaced with fresh mixture and immediately compacted to conform to the surrounding area. Such rework shall be done at the Contractor's expense. Spreading of the mixture shall be done carefully with particular attention given to making the operation as continuous as possible. Hand working shall be kept to an absolute minimum.

Contractor quality control shall utilize a nuclear gauge to monitor compaction efforts.

402-4.11 JOINTS. The formation of all joints shall be made in such a manner as to ensure a continuous bond between old and new sections of the course. All joints shall present the same texture, density, and smoothness as other sections of the course.

The roller shall not pass over the unprotected end of the freshly laid mixture except when necessary to form a transverse joint. When necessary to form a transverse joint, it shall be made by means of placing a bulkhead or by tapering the course, in which case the edge shall be cut back to its full depth and width on a straight line to expose vertical face. In both methods all contact surfaces shall be given a tack coat of bituminous material before placing any fresh mixture against the joint.

Longitudinal joints which are irregular, damaged, or otherwise defective shall be cut back to expose a clean, sound surface for the full depth of the course. All contact surfaces shall be given a tack coat of bituminous material prior to placing any fresh mixture against the joint. The longitudinal joint shall offset that in the existing course by at least 1 foot (30 cm).

402-4.12 SHAPING EDGES. While the surface is being compacted and finished, the Contractor shall carefully shape the longitudinal outside edges of the PFC to a vertical face at the established edge. When transitioning from PFC to existing pavement, transverse edges shall be constructed with a finer graded bituminous mixture.

**Edge lips shall not exceed 3-inches; however, they are preferred to be less than 1.5-inches.
This may be a problem on projects that have excessive surface irregularities.**

402-4.13 SURFACE TESTS. The Contractor is responsible for supplying an acceptable metal 12-foot straight edge. After completion of final rolling, the finished surface shall be tested with the 12-foot straightedge and shall not vary more than 1/4 inch. The 12-foot straight edge shall be applied parallel with and at right angles to the runway centerline in a pattern that includes longitudinal and transverse joints. The 12-foot straightedge shall be advanced approximately 1/2 its length in the line of measurement. Areas of the porous friction course exceeding the specified tolerances shall be removed, as directed by the Engineer, and replaced with new material at the

Contractor's expense. The Engineer shall immediately notify the Contractor of such unsatisfactory visual defects such as non-uniform texture, roller marks, bleeding of bituminous material, cracking and shoving of the mixture during rolling operations. Areas of the porous friction course, which possess such defects, shall be removed, as directed by the Engineer, and replaced with new material at the Contractor's expense. Skin patching or hand working shall not be permitted.

402-4.14 ACCEPTANCE SAMPLING AND TESTING OF BITUMINOUS MATERIAL AND AGGREGATE. The Engineer, at no cost to the Contractor, shall perform all acceptance sampling and testing. The testing laboratory performing the testing shall meet the requirements of ASTM D 3666.

Samples of the PFC mixture shall be taken at the point of discharge in hauling units and tested to control uniformity in bituminous content and gradation. Samples shall be taken in accordance with ASTM D 979 and prepared in accordance with ASTM D 2172 or ASTM D 6307. One sample shall be taken from each lot on a random basis in accordance with procedures contained in ASTM D 3665. A lot shall consist of 1,000 tons or 1/2 day's production, whichever is less. Should the average bituminous content for any two consecutive lots not fall within job mix tolerances under 402-3.1, the Contractor shall cease production until such out-of-tolerance conditions have been remedied. Any material, placed after the contractor has been informed of two consecutive failing tests, shall be rejected and removed at the Contractor's expense.

Aggregate from each hot bin or aggregate feed shall be sampled on a random basis and tested for gradation analysis in accordance with ASTM C 136. One sample shall be taken on a random basis in accordance with ASTM D 3665 for each lot. A lot shall consist of 500 tons or 1/4 day's production, whichever is less. If any two consecutive samples fail to meet the tolerances of the job mix formula gradation, the Contractor shall cease plant production until such out-of tolerance conditions have been remedied. Any material, placed after the contractor has been informed of two consecutive failing tests, shall be rejected and removed at the Contractor's expense.

The Engineer will notify the Contractor of unsatisfactory visual defects in the completed bituminous friction course such as non-uniform texture, roller marks, bleeding of bituminous material, cracking and shoving of the mixture during the roller operations, or nonconformance to the surface smoothness criteria specified. Unsatisfactory bituminous friction course shall be removed and replaced at the Contractor's expense as directed by the Engineer.

402-4.15 BITUMINOUS AND AGGREGATE MATERIAL (CONTRACTOR'S RESPONSIBILITY). Samples of the bituminous and aggregate materials that the Contractor proposes to use, together with a statement of their source and character, shall be submitted for approval prior to use. The Contractor shall require the manufacturer or producer of the bituminous and aggregate materials to furnish material subject to this and all other pertinent requirements of the contract. Only those materials that have been tested and approved for the intended use shall be acceptable.

The Contractor shall furnish the vendor's certified test reports for each carload or equivalent of bituminous material shipped to the project. The report shall be delivered to the Engineer before permission is granted to use the material. The vendor's certified test report for the bituminous material shall not be interpreted as a basis for final acceptance. All test reports shall be subject to verification by testing sample materials received for use on the project.

402-4.16 PROTECTION OF PAVEMENT. After final rolling, no vehicular traffic of any kind shall be permitted on the pavement until it has cured at least 12 hours or unless otherwise authorized by the Engineer. Newly constructed pavement areas shall not be opened to aircraft traffic until 24 hours after completion or unless otherwise authorized by the Engineer.

METHOD OF MEASUREMENT

402-5.1 Porous friction course shall be measured by the number of [square yards (square meters)][tons (kg)] of mixture used in the accepted work.

Only the areas of the porous friction course meeting the following thickness requirements shall be measured for payment:

To determine the thickness of the finished PFC, the Engineer shall take one core sample, not less than 2 inches (5 cm) in diameter, at random from each unit of the completed PFC area. A unit of the completed area shall be one paving lane wide by 1,000 feet (304 m) long. The last unit in any one paving lane shall include any remaining length in addition to the 1,000 feet (304 m).

When the measurement of any core is more than the maximum or less than the minimum allowable thickness, as shown in Table 3, additional cores shall be taken at 20-foot intervals (6 m) (parallel to and at right angles to the runway centerline) until the completed PFC is within such maximum or minimum thickness for the subunit being tested. Out-of-tolerance areas shall be deducted from the total **[square yards (square meters)][tons (kg)]** PFC for payment. If, in the Engineer's judgment, such out of tolerance areas warrant removal, the PFC shall be removed and the underlying course shall be cleaned (ready for reconstruction), all at the Contractor's expense.

TABLE 3. ALLOWABLE FINISHED PFC THICKNESS

	Nominal		Maximum		Minimum	
	in.	mm	in.	mm	in.	mm
3/4 in. aggregate	1.0	25	1.50	37	0.75	19
1/2 in. aggregate	0.75	19	1.25	32	0.50	12

BASIS OF PAYMENT

402-6.1 Payment shall be made at the respective contract prices per **[square yard (square meter)][ton (kg)]** for porous friction course and per **[gallon (liter)][ton (kg)]** for bituminous material. The prices shall be full compensation for furnishing all materials; for all preparation and storage of materials; for cleaning the existing surface; for mixing, hauling, placing, and compacting the mixture (including initial test section); and for all tools, equipment, and incidentals necessary to complete each item. No separate payment is included in the contract for furnishing and batching mineral filler, or anti-stripping agents, should such items be required.

Rehabilitation of the existing pavement surface and the tack coat shall be measured and paid for at their respective contract prices.

Payment will be made under:

Item P-402-6.1	Porous Friction Course— [per square yard (square meter)][ton (kg)]
Item P-402-6.2	Bituminous material— [per gallon (liter)][ton (kg)]

TESTING REQUIREMENTS

ASTM C 88	Soundness of Aggregates by Use of Sodium Sulfate or Magnesium Sulfate
ASTM C 127	Density, Specific Gravity, and Absorption of Coarse Aggregates
ASTM C 128	Density, Specific Gravity, and Absorption of Fine Aggregate
ASTM C 131	Resistance to Abrasion of Small Size Coarse Aggregate by Use of the Los Angeles Machine
ASTM C 136	Sieve Analysis of Fine and Coarse Aggregates
ASTM C 566	Total Evaporable Moisture Content of Aggregate by Drying
ASTM D 693	Crushed Aggregate for Macadam Pavements

ASTM D 979	Sampling Bituminous Paving Mixtures
ASTM D 995	Mixing Plants for Hot-Mixed Hot-Laid Bituminous Paving Mixtures
ASTM D 2172	Quantitative Extraction of Bitumen from Bituminous Paving Mixtures
ASTM D 2741	Susceptibility of Polyethylene Bottles to Soot Accumulation
ASTM D 3665	Random Sampling of Paving Materials
ASTM D 3666	Minimum Requirements for Agencies Testing and Inspecting Bituminous Paving Materials
ASTM D 4318	Liquid Limit, Plastic Limit, and Plasticity Index of Soils
ASTM D 6307	Standard Test Method for Asphalt Content of Hot Mix Asphalt by Ignition Method

MATERIAL REQUIREMENTS

ASTM D 242	Mineral Filler for Bituminous Paving Mixtures
ASTM D 3381	Viscosity-Graded Asphalt Cement for Use in Pavement Construction

END OF ITEM P-402

**ITEM P-403 PLANT MIX BITUMINOUS PAVEMENTS
(BASE, LEVELING OR SURFACE COURSE)**

DESCRIPTION

403-1.1 This item shall consist of a [] course composed of mineral aggregate and bituminous material mixed in a central mixing plant and placed on a prepared course in accordance with these specifications and shall conform to the lines, grades, thicknesses, and typical cross sections shown on the plans. Each course shall be constructed to the depth, typical section, and elevation required by the plans and shall be rolled, finished, and approved before the placement of the next course.

Specify base and/or leveling course(s). Surface course may also be specified but only for those pavements designed to accommodate aircraft of gross weights less than or equal to 12,500 pounds (5,670 kg) or for surface course of shoulders, blast pads, service roads, etc. Item P-401 is to be specified for surface courses for pavements designed to accommodate aircraft gross weights greater than 12,500 pounds (5,670 kg).

This specification is to be used as a base or leveling course for pavements designed to accommodate aircraft of gross weights greater than 12,500 pounds (5,670 kg). State highway department specifications may be used in lieu of this specification for access roads, perimeter roads, stabilized base courses under Item P-501, and other pavements not subject to aircraft loading, or for pavements designed for aircraft gross weights of 12,500 pounds (5,670 kg) or less.

Where a state highway department specification is to be used in lieu of this specification, the state specification must have a demonstrated satisfactory performance record under equivalent loadings and exposure. When a density requirement is not specified by a state specification, it is to be modified to incorporate the language found in paragraphs 403-5.1, 403-5.2 and 403-5.3. When state highway specification are approved, include all applicable/approved state specifications in the contract documents.

MATERIALS

403-2.1 AGGREGATE. Aggregates shall consist of crushed stone, crushed gravel, or crushed slag with or without natural sand or other inert finely divided mineral aggregate. The portion of combined materials retained on the No. 4 (4.75 mm) sieve is coarse aggregate. The portion of combined materials passing the No. 4 (4.75 mm) sieve and retained on the No. 200 (0.075 mm) sieve is fine aggregate, and the portion passing the No. 200 (0.075 mm) sieve is mineral filler.

a. Coarse Aggregate. Coarse aggregate shall consist of sound, tough, durable particles, free from adherent films of matter that would prevent thorough coating and bonding with the bituminous material and be free from organic matter and other deleterious substances. The percentage of wear shall not be greater than [] percent when tested in accordance with ASTM C 131. The sodium sulfate soundness loss shall not exceed 10 percent, or the magnesium sulfate soundness loss shall not exceed 13 percent, after five cycles, when tested in accordance with ASTM C 88.

Percentage of wear shall not exceed 40 for surface, binder, and leveling courses and 50 for base course. Aggregates with a higher percentage loss of wear or soundness may be specified in lieu of those indicated, provided a satisfactory service record under similar conditions of service and exposure has been demonstrated.

Aggregate shall contain at least [] percent by weight of individual pieces having two or more fractured faces and [] percent by weight having at least one fractured face. The area of each face shall be equal to at least 75 percent of the smallest midsectional area of the piece. When two fractured faces are contiguous, the angle between the planes of fractures shall be at least 30 degrees to count as two fractured faces. Fractured faces shall be obtained by crushing.

For pavement courses designed for aircraft gross weights of 60,000 pounds (27 200 kg) or more, the Engineer shall specify 70 percent for two fractured faces and 85 percent for one fractured face. For pavement courses designed for aircraft gross weights less than 60,000 pounds (27 200 kg), the Engineer shall specify 50 percent for two fractured faces and 65 percent for one fractured face.

In areas where slag is not available or desired, the references to it should be deleted from all aggregate paragraphs.

The aggregate shall not contain more than a total of 8 percent, by weight, of flat particles, elongated particles, and flat and elongated particles, when tested in accordance with ASTM D 4791 with a value of 5:1.

The Engineer may specify ASTM D 4791 with a ratio of 3:1. If so, replace the above paragraph as follows: "The aggregate shall not contain more than a total of 20 percent by weight of flat particles, elongated particles, and flat and elongated particles when tested in accordance with ASTM D4791 with a value of 3:1."

Slag shall be air-cooled, blast furnace slag, and shall have a compacted weight of not less than 70 pounds per cubic foot (1.12 mg/cubic meter) when tested in accordance with ASTM C 29.

b. Fine Aggregate. Fine aggregate shall consist of clean, sound, durable, angular shaped particles produced by crushing stone, slag, or gravel that meets the requirements for wear and soundness specified for coarse aggregate. The aggregate particles shall be free from coatings of clay, silt, or other objectionable matter and shall contain no clay balls. The fine aggregate, including any blended material for the fine aggregate, shall have a plasticity index of not more than 6 and a liquid limit of not more than 25 when tested in accordance with ASTM D 4318.

Natural (nonmanufactured) sand may be used to obtain the gradation of the aggregate blend or to improve the workability of the mix. The amount of sand to be added will be adjusted to produce mixtures conforming to requirements of this specification. [The fine aggregate shall not contain more than 15 percent natural sand by weight of total aggregates.] If used, the natural sand shall meet the requirements of ASTM D 1073 and shall have a plasticity index of not more than 6 and a liquid limit of not more than 25 when tested in accordance with ASTM D 4318.

The aggregate shall have sand equivalent values of [] or greater when tested in accordance with ASTM D 2419.

Typically the sand equivalent value should be 45, unless local conditions require lower value.

The addition of natural sand to a mix containing all crushed coarse and fine aggregates will normally increase its workability and compactability. However, the addition of excessive amounts of natural sand tends to decrease the stability of the mixture. The requirement for a sand equivalent value of 45 usually limits the use of natural sand; however, the maximum of 15 percent natural sand may be included for locations where low stabilities are a chronic problem.

c. **Sampling.** ASTM D 75 shall be used in sampling coarse and fine aggregate, and ASTM C 183 shall be used in sampling mineral filler.

403-2.2 MINERAL FILLER. If filler, in addition to that naturally present in the aggregate, is necessary, it shall meet the requirements of ASTM D 242.

403-2.3 BITUMINOUS MATERIAL. Bituminous material shall conform to the following requirements: [].

Asphalt cement binder shall conform to [AASHTO MP1 Performance Grade (PG) [____]] [ASTM D 3381 Table 1, 2, or 3 Viscosity Grade][ASTM D 946 Penetration Grade [____]]. Test data indicating grade certification shall be provided by the supplier at the time of delivery of each load to the mix plant. Copies of these certifications shall be submitted to the Engineer. The Engineer shall specify the grade of bituminous material, based on geographical location and climatic conditions. Asphalt Institute Superpave Series No. 1 (SP-1) provides guidance on the selection of performance graded binders. Table VI-1, Selecting Asphalt Grade, contained in the Asphalt Institute's Manual Series-1 (MS-1) provides guidance on the selection of asphalt type. For cold climates, Table 2 of ASTM D 3381 may be specified to minimize the susceptibility for thermal cracking. The Engineer should be aware that PG asphalt binders may contain modifiers that require elevated mixing and compaction temperatures that exceed the temperatures specified in Item P-403.

Grades of some materials are listed below:

NOTE: Performance Graded (PG) asphalt binders should be specified wherever available. The same grade PG binder used by the state highway department in the area should be considered as the base grade for the project (e.g. the grade typically specified in that specific location for dense graded mixes on highways with design ESALS less than 10 million). The exception would be that grades with a low temperature higher than PG XX-22 should not be used (e.g. PG XX-16 or PG XX-10), unless the Engineer has had successful experience with them. Typically, rutting is not a problem on airport runways. However, at airports with a history of stacking on end of runways and taxiway areas, rutting has accrued due to the slow speed of loading on the pavement. If there has been rutting on the project or it is anticipated that stacking may accrue during the design life of the project, then the following grade "bumping" should be applied for the top 125 mm (5 inches) of paving in the end of runway and taxiway areas: for aircraft tire pressure between 100 and 200 psi, increase the high temperature one grade; for aircraft tire pressure greater than 200 psi, increase the high temperature two grades. Each grade adjustment is 6 degrees C. Polymer Modified Asphalt, PMA, has shown to perform very well in these areas. The low temperature grade should remain the same.

Additional grade bumping and grade selection information is given in Table A.

**TABLE A. BINDER GRADE SELECTION AND GRADE BUMPING
BASED ON GROSS AIRCRAFT WEIGHT.**

Aircraft Gross Weight (pounds)	High Temperature Adjustment to Base Binder Grade	
	Pavement Type	
	Runway	Taxiway/Apron
Less than 12,500	--	--
Less than 60,000	--	1
Less than 100,000	--	1
Greater than 100,000	1	2

NOTES:

1. PG grades above a -22 on the low end (e.g. 64-16) are not recommended. Limited experience has shown this to be a poor performer.
2. PG grades below a 64 on the high end (e.g. 58-22) are not recommended. These binders often provide tender tendencies.
3. PG grades above a 76 on the high end (e.g. 82-22) are very stiff and may be difficult to work and compact.

Grade Specification			
Penetration Grade ASTM D 946	Viscosity Grade ASTM D 3381		Performance Graded Asphalt Institute Superpave Series No. 1(SP-1)
40-50	AC-5	AR-1000	In general, the Engineer should choose a PG-asphalt binder that has been approved for use in the vicinity by the State DOT, and is locally available. In general, a high reliability (98 percent) on both the high and low temperature categories is sufficiently conservative.
60-70	AC-10	AR-2000	
85-100	AC-15	AR-4000	
100-120	AC-20	AR-8000	
120-150	AC-30		
	AC-40		

The Contractor shall furnish vendor's certified test reports for each lot of bituminous material shipped to the project. The vendor's certified test report for the bituminous material can be used for acceptance or tested independently by the Engineer.

403-2.4 PRELIMINARY MATERIAL ACCEPTANCE. Prior to delivery of materials to the job site, the Contractor shall submit certified test reports to the Engineer for the following materials:

- a. **Coarse Aggregate.**
 - (1) Percent of wear.
 - (2) Soundness.
 - (3) Unit weight of slag.
 - (4) Percent fractured faces

- b. **Fine Aggregate.**
 - (1) Liquid limit.

- (2) Plasticity index.
- (3) Sand equivalent.

c. Mineral Filler.

d. Bituminous Material. Test results for bituminous material shall include temperature/viscosity charts for mixing and compaction temperatures.

The certification(s) shall show the appropriate ASTM test(s) for each material, the test results, and a statement that the material meets the specification requirement.

The Engineer may request samples for testing, prior to and during production, to verify the quality of the materials and to ensure conformance with the applicable specifications.

403-2.5 ANTI-STRIPPING AGENT. Any anti-stripping agent or additive if required shall be heat stable, shall not change the asphalt cement viscosity beyond specifications, shall contain no harmful ingredients, shall be added in recommended proportion by approved method, and shall be a material approved by the Department of Transportation of the State in which the project is located.

COMPOSITION

403-3.1 COMPOSITION OF MIXTURE. The bituminous plant mix shall be composed of a mixture of well-graded aggregate, filler and anti-strip agent if required, and bituminous material. The several aggregate fractions shall be sized, handled in separate size groups, and combined in such proportions that the resulting mixture meets the grading requirements of the job mix formula (JMF).

403-3.2 JOB MIX FORMULA. No bituminous mixture for payment shall be produced until a job mix formula has been approved in writing by the Engineer. The bituminous mixture shall be designed using procedures contained in Chapter 5, MARSHALL METHOD OF MIX DESIGN, of the Asphalt Institute's Manual Series No. 2 (MS-2), Mix Design Methods for Asphalt Concrete, sixth edition, and shall meet the requirements of Tables 1, 2 and 3.

Engineer may specify the Eastern Region Laboratory Procedures Manual (ERLPM), Section 2 in lieu of MS-2.

Tensile Strength Ratio (TSR) of the composite mixture, as determined by ASTM D 4867, shall not be less than 75. Anti-stripping agent shall be added to the asphalt, as necessary, to produce a TSR of not less than 75. If an antistrip agent is required, it will be provided by the Contractor at no additional cost to the Owner.

Engineer may specify a TSR of not less than 80 in areas that are prone to stripping at a TSR of 75.

The job mix formula shall be submitted in writing by the Contractor to the Engineer at least [] days prior to the start of paving operations and shall include as a minimum:

- a. Percent passing each sieve size for total combined gradation, individual gradation of all aggregate stockpiles and percent by weight of each stockpile used in the job mix formula.
- b. Percent of asphalt cement.

- c. Asphalt performance, viscosity or penetration grade, and type of modifier if used.
- d. Number of blows of hammer compaction per side of molded specimen.
- e. Mixing temperature.
- f. Compaction temperature.
- g. Temperature of mix when discharged from the mixer.
- h. Temperature-viscosity relationship of the asphalt cement.
- i. Plot of the combined gradation on the Federal Highway Administration (FHWA) 45 power gradation curve.
- j. Graphical plots of stability, flow, air voids, voids in the mineral aggregate, and unit weight versus asphalt content.
- k. Percent natural sand.
- l. Percent fractured faces.
- m. Percent by weight of flat particles, elongated particles, and flat and elongated particles (and criteria).
- n. Tensile Strength Ratio (TSR).
- o. Antistrip agent (if required).

The Contractor shall submit to the Engineer the results of verification testing of three (3) asphalt samples prepared at the optimum asphalt content. The average of the results of this testing shall indicate conformance with the job mix formula requirements specified in Tables 1, 2 and 3.

When the project requires asphalt mixtures of differing aggregate gradations, a separate job mix formula and the results of job mix formula verification testing must be submitted for each mix.

The job mix formula for each mixture shall be in effect until a modification is approved in writing by the Engineer. Should a change in sources of materials be made, a new job mix formula must be submitted within [] days and approved by the Engineer in writing before the new material is used. After the initial production job mix formula(s) has/have been approved by the Engineer and a new or modified job mix formula is required for whatever reason, the subsequent cost of the Engineer's approval of the new or modified job mix formula will be borne by the Contractor. There will be no time extension given or considerations for extra costs associated with the stoppage of production paving or restart of production paving due to the time needed for the Engineer to approve the initial, new or modified job mix formula.

The Engineer shall specify the number of days. A minimum of 10 days is recommended.

For mixes with maximum size aggregate of 1" or less, the Marshall Design Criteria applicable to the project shall be specified by the Engineer from the information shown below and inserted into Table 1. Asterisks denote insert points.

Test Property	Pavements Designed for Aircraft Gross Weights of 60,000 Lbs. or More or Tire Pressures of 100 Psi or More	Pavements Designed for Aircraft Gross Weights Less Than 60,000 Lbs. or Tire Pressures Less Than 100 Psi
---------------	---	---

Test Property	Pavements Designed for Aircraft Gross Weights of 60,000 Lbs. or More or Tire Pressures of 100 Psi or More	Pavements Designed for Aircraft Gross Weights Less Than 60,000 Lbs. or Tire Pressures Less Than 100 Psi
Number of Blows	75	50
Stability, pounds (newtons)	1800 (8006)	1000 (4448)
Flow, 0.01 in. (0.25 mm)	8-16	8-20
Air Voids (percent)	2-5	2-5
Percent Voids in Mineral Aggregate (minimum)	See Table 2	See Table 2

For mixes with maximum size aggregate greater than 1 inch up to a maximum of 1-½ inches, the Marshall Design Criteria shall be modified by the Engineer per the guidance found in Asphalt Institute Manual Series No. 2 (MS-2), Chapter 5 and the test method specified shall be ASTM D 5581 in lieu of ASTM D 6926. Modifications to the flow criteria may be required for modified asphalt cement binders.

TABLE 1. MARSHALL DESIGN CRITERIA

TEST PROPERTY	
Number of blows	*
Stability, pounds (newtons) minimum	*
(newtons) minimum	*
Flow, 0.01 in. (0.25 mm)	*
Air voids (percent)	*
Percent voids in mineral aggregate, minimum	See Table 2

TABLE 2. MINIMUM PERCENT VOIDS IN MINERAL AGGREGATE

Maximum Particle Size		Minimum Voids in Mineral Aggregate, percent
in.	mm	Percent
½	12.5	16
¾	19.0	15
1	25.0	14
1-½	37.5	13

Modifications to the minimum VMA as found in Table 2 may be made depending on the definition of maximum particle size and/or local conditions.

The mineral aggregate shall be of such size that the percentage composition by weight, as determined by laboratory sieves, will conform to the gradation or gradations specified in Table 3 when tested in accordance with ASTM C 136 and C 117.

The gradations in Table 3 represent the limits that shall determine the suitability of aggregate for use from the sources of supply. The aggregate, as selected (and used in the JMF), shall have a gradation within the limits designated in Table 3 and shall not vary from the low limit on one sieve to the high limit on the adjacent sieve, or vice versa, but shall be well graded from coarse to fine.

Deviations from the final approved mix design for bitumen content and gradation of aggregates shall be within the action limits for individual measurements as specified in paragraph 403-6.5a. The limits still will apply if they fall outside the master grading band in Table 3.

The maximum size aggregate used shall not be more than one-half of the thickness of the course being constructed except where otherwise shown on the plans or ordered by the Engineer.

TABLE 3. AGGREGATE - BITUMINOUS PAVEMENTS

Sieve Size	Percentage by Weight Passing Sieve
1-½ in. (37.50 mm)	*
1 in. (25.0 mm)	*
¾ in. (19.0 mm)	*
½ in. (12.5 mm)	*
⅜ in. (9.5 mm)	*
No. 4 (4.75 mm)	*
No. 8 (2.36 mm)	*
No. 16 (1.18 mm)	*
No. 30 (0.60 mm)	*
No. 50 (0.30 mm)	*
No. 100 (0.15 mm)	*
No. 200 (0.075 mm)	*
Asphalt percent	
Stone or gravel	*
Slag	*

The aggregate gradations shown are based on aggregates of uniform specific gravity. The percentages passing the various sieves shall be corrected when aggregates of varying specific gravities are used, as indicated in the Asphalt Institute Manual Series No. 2 (MS-2), Chapter 3.

The aggregate gradation shall be specified by the Engineer from the gradations shown in this note. The gradation shall be inserted into Table 3. Asterisks denote insert points.

Where locally-available aggregates cannot be economically blended to meet the grading requirements of the gradations shown, the gradations may be modified to fit the characteristics of such local aggregates with approval of the FAA. The modified gradation must produce a paving mixture that satisfies the mix design requirements.

AGGREGATE - BITUMINOUS PAVEMENTS				
Sieve Size	Percentage by Weight Passing Sieves			
	1-1/2" max	1" max	3/4" max	1/2" max
1-1/2 in. (37.5 mm)	100	--	--	--
1 in. (24.0 mm)	86-98	100	--	--
3/4 in. (19.0 mm)	68-93	76-98	100	--
1/2 in. (12.5 mm)	57-81	66-86	79-99	100
3/8 in. (9.5 mm)	49-69	57-77	68-88	79-99
No. 4 (4.75 mm)	34-54	40-60	48-68	58-78
No. 8 (2.36 mm)	22-42	26-46	33-53	39-59
No. 16 (1.18 mm)	13-33	17-37	20-40	26-46
No. 30 (0.600 mm)	8-24	11-27	14-30	19-35
No. 50 (0.300 mm)	6-18	7-19	9-21	12-24
No. 100 (0.150 mm)	4-12	6-16	6-16	7-17
No. 200 (0.075 mm)	3-6	3-6	3-6	3-6
Asphalt percent:				
Stone or gravel	4.5-7.0	4.5-7.0	5.0-7.5	5.5-8.0
Slag	5.0-7.5	5.0-7.5	6.5-9.5	7.0-10.5

403-3.3 RECYCLED ASPHALT CONCRETE. Recycled HMA shall consist of reclaimed asphalt pavement (RAP), coarse aggregate, fine aggregate, mineral filler, and asphalt cement. The RAP shall be of a consistent gradation and asphalt content and properties. When RAP is fed into the plant, the maximum RAP chunk size shall not exceed 2 inches. The recycled HMA mix shall be designed using procedures contained in AI MS-02. The recycled asphalt concrete mix shall be designed using procedures contained in the Asphalt Institute's Manual Series Number 2 (MS-2). The percentage of asphalt in the RAP shall be established for the mixture design according to ASTM D 2172 using the appropriate dust correction procedure. The job mix shall meet the requirements of paragraph 403-3.2 RAP should only be used for shoulder surface course mixes and for any intermediate courses. The amount of RAP shall be limited to [] percent.

Reclaimed Asphalt Pavement (RAP) should not be used for surface mixes, except on shoulders. It can be used very effectively in lower layers or for shoulders. Engineer to specify the maximum percentage of reclaimed asphalt allowed in the mix. The amount of RAP shall be limited to 30 percent, as long as the resulting recycled mix meets all requirements that are specified for virgin mixtures. The Contractor may obtain the RAP from the job site or an existing source.

In addition to the requirements of paragraph 403-3.2, the job mix formula shall indicate the percent of reclaimed asphalt pavement and the percent and viscosity grade of new asphalt. The Contractor shall submit documentation to the Engineer, indicating that the mixing equipment proposed for use is adequate to mix the percent of RAP shown in the job mix formula and meet all local and national environmental regulations.

The appropriate test should be selected to conform to the grade of new asphalt specified. If a penetration grade is specified, use penetration test. If a viscosity grade is specified, use a viscosity test. If a PG asphalt binder is specified, use the dynamic shear rheometer and bending beam tests. RAP containing coal tars may be require additional precautions during production and may be excluded.

The blend of new asphalt cement and the RAP asphalt binder shall meet the requirements in paragraph 403-2.3. The virgin asphalt cement shall not be more than two standard asphalt material grades different than that specified in paragraph 403-2.3

Delete paragraph 403-3.3 in its entirety if recycled asphalt pavement is not to be allowed and include a sentence that RAP will not be permitted to be used.

403-3.4 TEST SECTION. Prior to full production, the Contractor shall prepare and place a quantity of bituminous mixture according to the job mix formula. The amount of mixture shall be sufficient to construct a test section [] long and [] wide, placed in two lanes, with a longitudinal cold joint, and shall be of the same depth specified for the construction of the course which it represents. A cold joint is an exposed construction joint at least 4 hours old or whose mat has cooled to less than 160°F. The underlying grade or pavement structure upon which the test section is to be constructed shall be the same as the remainder of the course represented by the test section. The equipment used in construction of the test section shall be the same type and weight to be used on the remainder of the course represented by the test section.

THE TEST SECTION SHALL BE EVALUATED FOR ACCEPTANCE AS A SINGLE LOT IN ACCORDANCE WITH THE ACCEPTANCE CRITERIA IN PARAGRAPH 403-5.1 AND 403-6.3. THE TEST SECTION SHALL BE DIVIDED INTO EQUAL SUBLOTS. AS A MINIMUM THE TEST SECTION SHALL CONSIST OF 3 SUBLOTS.

The test section shall be considered acceptable if the average mat density of the test section cores is greater than or equal to 98 percent and the average joint density of the test section cores is greater than or equal to 95 percent. If the initial test section should prove to be unacceptable, the necessary adjustments to the job mix formula, plant operation, placing procedures, and/or rolling procedures shall be made. A second test section shall then be placed. If the second test section also does not meet specification requirements, both sections shall be removed at the Contractor's expense. Additional test sections, as required, shall be constructed and evaluated for conformance to the specifications. Any additional sections that are not acceptable shall be removed at the Contractor's expense. Full production shall not begin until an acceptable section has been constructed and accepted in writing by the Engineer. Once an acceptable test section has been placed, payment for the initial test section and the section that meets specification requirements shall be made in accordance with paragraph 403-8.1.

Job mix control testing shall be performed by the Contractor at the start of plant production and in conjunction with the calibration of the plant for the job mix formula. If the aggregates produced by the plant do not satisfy the gradation requirements or produce a mix that meets the JMF, it will be necessary to reevaluate and redesign the mix using plant-produced aggregates. Specimens shall be prepared and the optimum bitumen content determined in the same manner as for the original design tests.

The test section should be a minimum of 300 feet (90 m) long and 20 to 30 feet (6 to 9 m) wide. The test section affords the Contractor and the Engineer an opportunity to determine

the quality of the mixture in place, as well as performance of the plant and laydown equipment.

403-3.5 TESTING LABORATORY. The Contractor’s laboratory used to develop the job mix formula shall meet the requirements of ASTM D 3666 including the requirement to be accredited by a national authority such as the National Voluntary Laboratory Accreditation Program (NVLAP), the American Association for Laboratory Accreditation (AALA), or AASHTO Accreditation Program (AAP). A certification signed by the manager of the laboratory stating that it meets these requirements shall be submitted to the Engineer prior to the start of construction. The certification shall contain as a minimum:

- a. Qualifications of personnel; laboratory manager, supervising technician, and testing technicians.
- b. A listing of equipment to be used in developing the job mix.
- c. A copy of the laboratory's quality control system.
- d. Evidence of participation in the AASHTO Materials Reference Laboratory (AMRL) program.
- e. ASTM D 3666 certification of accreditation by a nationally recognized accreditation program.

CONSTRUCTION METHODS

403-4.1 WEATHER LIMITATIONS. The bituminous mixture shall not be placed upon a wet surface or when the surface temperature of the underlying course is less than specified in Table 4. The temperature requirements may be waived by the Engineer, if requested; however, all other requirements including compaction shall be met.

TABLE 4. BASE TEMPERATURE LIMITATIONS

Mat Thickness	Base Temperature (Minimum)	
	Deg. F	Deg. C
3 in. (7.5 cm) or greater	40	4
Greater than 1 in. (2.5 cm) but less than 3 in. (7.5 cm)	45	7
1 in. (2.5 cm) or less	50	10

403-4.2 BITUMINOUS MIXING PLANT. Plants used for the preparation of bituminous mixtures shall conform to the requirements of ASTM D 995 with the following changes:

a. Requirements for All Plants.

(1) Truck Scales. The bituminous mixture shall be weighed on approved scales furnished by the Contractor, or on certified public scales at the Contractor's expense. Scales shall be inspected and sealed as often as the Engineer deems necessary to assure their accuracy. Scales shall conform to the requirements of the General Provisions, Section 90-01.

In lieu of scales, and as approved by the Engineer, asphalt mixture weights may be determined by the use of an electronic weighing system equipped with an automatic printer that weighs the total paving mixture. Contractor must furnish calibration certification of the weighing system prior to mix production and as often thereafter as requested by the Engineer.

(2) Testing Facilities. The Contractor shall provide laboratory facilities at the plant for the use of the Engineer's acceptance testing and the Contractor's quality control testing. The Engineer will always have priority in

the use of the laboratory. The lab shall have sufficient space and equipment so that both testing representatives (Engineer's and Contractor's) can operate efficiently. The lab shall also meet the requirements of ASTM D 3666.

The plant testing laboratory shall have a floor space area of not less than 150 square feet, with a ceiling height of not less than 7-½ feet. The laboratory shall be weather tight, sufficiently heated in cold weather, air-conditioned in hot weather to maintain temperatures for testing purposes of 70 degrees F +/- 5 degrees F. The plant testing laboratory shall be located on the plant site to provide an unobstructed view, from one of its windows, of the trucks being loaded with the plant mix materials.

Laboratory facilities shall be kept clean, and all equipment shall be maintained in proper working condition. The Engineer shall be permitted unrestricted access to inspect the Contractor's laboratory facility and witness quality control activities. The Engineer will advise the Contractor in writing of any noted deficiencies concerning the laboratory facility, equipment, supplies, or testing personnel and procedures. When the deficiencies are serious enough to be adversely affecting the test results, the incorporation of the materials into the work shall be suspended immediately and will not be permitted to resume until the deficiencies are satisfactorily corrected.

As a minimum, the plant testing laboratory shall have:

- (a) Adequate artificial lighting
- (b) Electrical outlets sufficient in number and capacity for operating the required testing equipment and drying samples.
- (c) Fire extinguishers (2), Underwriter's Laboratories approved
- (d) Work benches for testing, minimum 2-½ feet by 10 feet.
- (e) Desk with 2 chairs
- (f) Sanitary facilities convenient to testing laboratory
- (g) Exhaust fan to outside air, minimum 12 inch blade diameter
- (h) A direct telephone line and telephone including a FAX machine operating 24 hours per day, seven days per week
- (i) File cabinet with lock for Engineer
- (j) Sink with running water, attached drain board and drain capable of handling separate material
- (k) Metal stand for holding washing sieves
- (l) Two element hot plate or other comparable heating device, with dial type thermostatic controls for drying aggregates
- (m) Mechanical shaker and appropriate sieves (listed in JMF, Table 3) meeting the requirements of ASTM E-11 for determining the gradation of coarse and fine aggregates in accordance with ASTM C 136
- (n) Marshall testing equipment meeting ASTM D 6926, ASTM D 6927, or ASTM D 5581 as necessary, automatic compaction equipment capable of compacting three specimens at once and other apparatus as specified in ASTM C 127, D 2172, D 2726, and D 2041
- (o) Oven, thermostatically controlled, inside minimum 1 cubic foot
- (p) Two volumetric specific gravity flasks, 500 CC
- (q) Other necessary hand tools required for sampling and testing
- (r) Library containing contract specifications, latest ASTM volumes 4.01, 4.02, 4.03 and 4.09, AASHTO standard specification parts I and II, and Asphalt Institute Publication MS-2.
- (s) Equipment for Theoretical Specific Gravity testing including a 4,000 cc pycnometer, vacuum pump capable of maintaining 30 ml mercury pressure and a balance, 16-20 kilograms with accuracy of 0.5 grams
- (t) Extraction equipment, centrifuge and reflux types and ROTOflex equipment
- (u) A masonry saw with diamond blade for trimming pavement cores and samples
- (v) Telephone

Approval of the plant and testing laboratory by the Engineer requires all facilities and equipment to be in good working order during production, sampling and testing. Failure to provide the specified facilities shall be sufficient cause for disapproving bituminous plant operations.

The Owner shall have access to the lab and at the plant whenever Contractor is producing asphalt for the project.

(3) Inspection of Plant. The Engineer, or Engineer's authorized representative, shall have access, at all times, to all areas of the plant for checking adequacy of equipment; inspecting operation of the plant: verifying weights, proportions, and material properties; and checking the temperatures maintained in the preparation of the mixtures.

(4) Storage Bins and Surge Bins. Use of surge bins or storage bins for temporary storage of hot bituminous mixtures will be permitted as follows:

(a) The bituminous mixture may be stored in surge bins for a period of time not to exceed 3 hours.

(b) The bituminous mixture may be stored in insulated storage bins for a period of time not to exceed 24 hours.

The bins shall be such that mix drawn from them meets the same requirements as mix loaded directly into trucks.

If the Engineer determines that there is an excessive amount of heat loss, segregation or oxidation of the mixture due to temporary storage, no temporary storage will be allowed.

403-4.3 HAULING EQUIPMENT. Trucks used for hauling bituminous mixtures shall have tight, clean, and smooth metal beds. To prevent the mixture from adhering to them, the truck beds shall be lightly coated with a minimum amount of an approved asphalt release agent. Petroleum products shall not be used for coating truck beds. Each truck shall have a suitable cover to protect the mixture from adverse weather. When necessary, to ensure that the mixture will be delivered to the site at the specified temperature, truck beds shall be insulated or heated and covers shall be securely fastened.

403-4.4 BITUMINOUS PAVERS. Bituminous pavers shall be self-propelled with an activated heated screed, capable of spreading and finishing courses of bituminous plant mix material that will meet the specified thickness, smoothness, and grade. The paver shall have sufficient power to propel itself and the hauling equipment without adversely affecting the finished surface.

The paver shall have a receiving hopper of sufficient capacity to permit a uniform spreading operation. The hopper shall be equipped with a distribution system to place the mixture uniformly in front of the screed without segregation. The screed shall effectively produce a finished surface of the required evenness and texture without tearing, shoving, or gouging the mixture.

The paver shall be equipped with a control system capable of automatically maintaining the specified screed elevation. The control system shall be automatically actuated from either a reference line and/or through a system of mechanical sensors or sensor-directed mechanisms or devices that will maintain the paver screed at a predetermined transverse slope and at the proper elevation to obtain the required surface. The transverse slope controller shall be capable of maintaining the screed at the desired slope within plus or minus 0.1 percent.

The controls shall be capable of working in conjunction with any of the following attachments:

- a. Ski-type device of not less than 30 feet (9.14 m) in length.
- b. Taut stringline (wire) set to grade.
- c. Short ski or shoe.
- d. Laser control.

If, during construction, it is found that the spreading and finishing equipment in use leaves tracks or indented areas, or produces other blemishes in the pavement and/or base course that are not satisfactorily corrected by the scheduled operations, the use of such equipment shall be discontinued and satisfactory equipment shall be provided by the Contractor.

403-4.5 ROLLERS. Rollers of the vibratory, steel wheel, and pneumatic-tired type shall be used. They shall be in good condition, capable of operating at slow speeds to avoid displacement of the bituminous mixture. The number, type, and weight of rollers shall be sufficient to compact the mixture to the required density while it is still in a workable condition.

All rollers shall be specifically designed and suitable for compacting hot mix bituminous concrete and shall be properly used. Rollers that impair the stability of any layer of a pavement structure or underlying soils shall not be used. Depressions in pavement surfaces caused by rollers shall be repaired by the Contractor at its own expense.

The use of equipment that causes crushing of the aggregate will not be permitted.

a. Nuclear Densometer. The Contractor shall have on site a nuclear densometer during all paving operations in order to assist in the determination of the optimum rolling pattern, type of roller and frequencies, as well as to monitor the effect of the rolling operations during production paving. The Contractor shall also supply a qualified technician during all paving operations to calibrate the nuclear densometer and obtain accurate density readings for all new bituminous concrete. These densities shall be supplied to the Engineer upon request at any time during construction. No separate payment will be made for supplying the density gauge and technician.

403-4.6 PREPARATION OF BITUMINOUS MATERIAL. The bituminous material shall be heated in a manner that will avoid local overheating and provide a continuous supply of the bituminous material to the mixer at a uniform temperature. The temperature of the bituminous material delivered to the mixer shall be sufficient to provide a suitable viscosity for adequate coating of the aggregate particles, but shall not exceed 325 degrees F (160 degrees C), unless otherwise required by the manufacturer.

403-4.7 PREPARATION OF MINERAL AGGREGATE. The aggregate for the mixture shall be heated and dried prior to introduction into the mixer. The maximum temperature and rate of heating shall be such that no damage occurs to the aggregates. The temperature of the aggregate and mineral filler shall not exceed 350 degrees F (175 degrees C) when the asphalt is added. Particular care shall be taken that aggregates high in calcium or magnesium content are not damaged by overheating. The temperature shall not be lower than is required to obtain complete coating and uniform distribution on the aggregate particles and to provide a mixture of satisfactory workability.

403-4.8 PREPARATION OF BITUMINOUS MIXTURE. The aggregates and the bituminous material shall be weighed or metered and introduced into the mixer in the amount specified by the job mix formula.

The combined materials shall be mixed until the aggregate obtains a uniform coating of bitumen and is thoroughly distributed throughout the mixture. Wet mixing time shall be the shortest time that will produce a satisfactory mixture, but not less than 25 seconds for batch plants. The wet mixing time for all plants shall be established by the Contractor, based on the procedure for determining the percentage of coated particles described in ASTM D 2489, for each individual plant and for each type of aggregate used. The wet mixing time will be set to achieve 95 percent of coated particles. For continuous mix plants, the minimum mixing time shall be determined by dividing the weight of its contents at operating level by the weight of the mixture delivered per second by the mixer. The moisture content of all bituminous mixtures upon discharge shall not exceed 0.5 percent.

For batch plants, wet mixing time begins with the introduction of bituminous material into the mixer and ends with the opening of the mixer discharge gate. Distribution of aggregate and bituminous material as they enter the pugmill, speed of mixer shafts, and arrangement and pitch of paddles are factors governing efficiency of mixing. Prolonged exposure to air and heat in the pugmill hardens the asphalt film on the aggregate. Mixing time, therefore, should be the shortest time required to obtain uniform distribution of aggregate sizes and thorough coating of aggregate particles with bituminous material.

403-4.9 PREPARATION OF THE UNDERLYING SURFACE. Immediately before placing the bituminous mixture, the underlying course shall be cleaned of all dust and debris. A prime coat or tack coat shall be applied in accordance with Item P-602 or P-603, if shown on the plans.

Engineer should evaluate the presence of paint and rubber deposits on the existing pavement and, if needed, may specify milling, grinding or other suitable means to remove same prior to placement of new bituminous material.

403-4.10 LAYDOWN PLAN, TRANSPORTING, PLACING, AND FINISHING. Prior to the placement of the bituminous mixture, the Contractor shall prepare a laydown plan for approval by the Engineer. This is to minimize the number of cold joints in the pavement. The laydown plan shall include the sequence of paving laydown by stations, width of lanes, temporary ramp location(s), and laydown temperature. The laydown plan shall also include estimated time of completion for each portion of the work (i.e. milling, paving, rolling, cooling, etc.). Modifications to the laydown plan shall be approved by the Engineer.

The bituminous mixture shall be transported from the mixing plant to the site in vehicles conforming to the requirements of paragraph 403-4.3. Deliveries shall be scheduled so that placing and compacting of mixture is uniform with minimum stopping and starting of the paver. Hauling over freshly placed material shall not be permitted until the material has been compacted, as specified, and allowed to cool to atmospheric temperature.

[The Contractor may elect to use a material transfer vehicle to deliver mix to the paver.]

Use of a material transfer vehicle allows the paver to be operated almost continuously without stopping between truckloads of mix, if a continuous supply of mix is available from the asphalt plant. The use of a transfer vehicle is recommended on long paving lanes.

Paving during nighttime construction shall require the following:

a. All paving machines, rollers, distribution trucks and other vehicles required by the Contractor for his operations shall be equipped with artificial illumination sufficient to safely complete the work.

b. Minimum illumination level shall be twenty (20) horizontal foot candles and maintained in the following areas:

(1) An area of 30 feet wide by 30 feet long immediately behind the paving machines during the operations of the machines.

(2) An area 15 feet wide by 30 feet long immediately in front and back of all rolling equipment, during operation of the equipment.

(3) An area 15 feet wide by 15 feet long at any point where an area is being tack coated prior to the placement of pavement.

c. As partial fulfillment of the above requirements, the Contractor shall furnish and use, complete artificial lighting units with a minimum capacity of 3,000 watt electric beam lights, affixed to all equipment in such a way to direct illumination on the area under construction.

d. In addition, the Contractor shall furnish [] portable floodlight units similar or equal to [].

Engineer to specify the minimum number of floodlighting units and may elect to specify a particular manufacturer’s lighting unit “or equal”.

If nighttime paving requires the critical re-opening of airfield facilities, the following additional language should be added:

“If the Contractor places any out of specification mix in the project work area, the Contractor is required to remove it at its own expense, to the satisfaction of the Engineer. If the Contractor has to continue placing non-payment bituminous concrete, as directed by the Engineer, to make the surfaces safe for aircraft operations, the Contractor shall do so to the satisfaction of the Engineer. It is the Contractor’s responsibility to leave the facilities to be paved in a safe condition ready for aircraft operations. No consideration for extended closure time of the area being paved will be given. As a first order of work for the next paving shift, the Contractor shall remove all out of specification material and replace with approved material to the satisfaction of the Engineer. When the above situations occur, there will be no consideration given for additional construction time or payment for extra costs.”

The initial placement and compaction of the mixture shall occur at a temperature suitable for obtaining density, surface smoothness, and other specified requirements but not less than 250°F (121°C).

Edges of existing bituminous pavement abutting the new work shall be saw cut and carefully removed as shown on the drawings and painted with bituminous tack coat before new material is placed against it.

Upon arrival, the mixture shall be placed to the full width by a bituminous paver. It shall be struck off in a uniform layer of such depth that, when the work is completed, it shall have the required thickness and conform to the grade and contour indicated. The speed of the paver shall be regulated to eliminate pulling and tearing of the bituminous mat. Unless otherwise permitted, placement of the mixture shall begin along the centerline of a crowned section or on the high side of areas with a one-way slope. The mixture shall be placed in consecutive adjacent strips having a minimum width of [] except where edge lanes require less width to complete the area. Additional screed sections shall not be attached to widen paver to meet the minimum lane width requirements specified above unless additional auger sections are added to match. The longitudinal joint in one course shall offset the longitudinal joint in the course immediately below by at least 1 foot (30 cm); however, the joint in the surface top course shall be at the centerline of crowned pavements. Transverse joints in one course shall be offset by at least 10 feet (3 m) from transverse joints in the previous course.

Transverse joints in adjacent lanes shall be offset a minimum of 10 feet (3 m).

On areas where irregularities or unavoidable obstacles make the use of mechanical spreading and finishing equipment impractical, the mixture may be spread and luted by hand tools. Areas of segregation in the course, as determined by the Engineer, shall be removed and replaced at the Contractor’s expense. The area shall be removed by saw cutting and milling a minimum of 2 inches deep. The area to be removed and replaced shall be a minimum width of the paver and a minimum of 10 feet long.

The Engineer should specify the widest paving lane practicable in an effort to hold the number of longitudinal joints to a minimum.

403-4.11 COMPACTION OF MIXTURE. After placing, the mixture shall be thoroughly and uniformly compacted by power rollers. The surface shall be compacted as soon as possible when the mixture has attained sufficient stability so that the rolling does not cause undue displacement, cracking or shoving. The sequence of rolling operations and the type of rollers used shall be at the discretion of the Contractor. The speed of the roller shall, at all times, be sufficiently slow to avoid displacement of the hot mixture and be effective in compaction. Any displacement occurring as a result of reversing the direction of the roller, or from any other cause, shall be corrected at once.

Sufficient rollers shall be furnished to handle the output of the plant. Rolling shall continue until the surface is of uniform texture, true to grade and cross section, and the required field density is obtained.

To prevent adhesion of the mixture to the roller, the wheels shall be equipped with a scraper and kept properly moistened using a water soluble asphalt release agent approved by the engineer.

In areas not accessible to the roller, the mixture shall be thoroughly compacted with approved power driven tampers. Tampers shall weigh not less than 275 pounds, have a tamping plate width not less than 15 inches, be rated at not less than 4,200 vibrations per minute, and be suitably equipped with a standard tamping plate wetting device.

Any mixture that becomes loose and broken, mixed with dirt, contains check-cracking, or in any way defective shall be removed and replaced with fresh hot mixture and immediately compacted to conform to the surrounding area. This work shall be done at the Contractor's expense. Skin patching shall not be allowed.

403-4.12 JOINTS. The formation of all joints shall be made in such a manner as to ensure a continuous bond between the courses and obtain the required density. All joints shall have the same texture as other sections of the course and meet the requirements for smoothness and grade.

The roller shall not pass over the unprotected end of the freshly laid mixture except when necessary to form a transverse joint. When necessary to form a transverse joint, it shall be made by means of placing a bulkhead or by tapering the course. The tapered edge shall be cut back to its full depth and width on a straight line to expose a vertical face prior to placing the adjacent lane. In both methods, all contact surfaces shall be given a tack coat of bituminous material before placing any fresh mixture against the joint.

Longitudinal joints which are irregular, damaged, uncompacted, or otherwise defective [or which have been left exposed for more than 4 hours, or whose surface temperature has cooled to less than 160⁰ F] shall be cut back [specify cutback] to expose a clean, sound surface for the full depth of the course. All contact surfaces shall be cleaned and dry and given a tack coat of bituminous material prior to placing any fresh mixture against the joint. The cost of this work and tack coat shall be considered incidental to the cost of the bituminous course.

Engineer may retain the bracketed language regarding the treatment of "cold joints" when considered necessary. The cutback should be no more than 6 inches.

MATERIAL ACCEPTANCE

403-5.1 ACCEPTANCE SAMPLING AND TESTING. Unless otherwise specified, all acceptance sampling and testing necessary to determine conformance with the requirements specified in this section will be performed by the Engineer at no cost to the Contractor. Testing organizations performing these tests shall meet the requirements of ASTM D 3666. All equipment in Contractor furnished laboratories shall be calibrated by the testing organization prior to the start of operations.

a. Field Placed Material. Material placed in the field shall be tested for mat and joint density on a lot basis. A lot will consist of:

- one day or shift's production not to exceed 2,000 tons (1 814 000 kg), or
- a half day or shift's production where a day's production is expected to consist of between 2,000 and 4,000 tons (1 814 000 and 3 628 000 kg), or
- similar subdivisions for tonnages over 4,000 tons (3 628 000 kg).

Where more than one plant is simultaneously producing material for the job, the lot sizes shall apply separately for each plant.

(1) Mat Density. The lot shall be divided into four equal sublots. One core of finished, compacted materials shall be taken by the Contractor from each subplot. Core locations will be determined by the Engineer on a random basis in accordance with procedures contained in ASTM D 3665. Cores shall not be taken closer than one foot from a transverse or longitudinal joint.

(2) Joint Density. The lot shall be divided into four equal sublots. One core of finished, compacted materials shall be taken by the Contractor from each subplot. Core locations will be determined by the Engineer on a random basis in accordance with procedures contained in ASTM D 3665. Edge of cores will be taken within 6 inches of the joint of the same lot material but not directly on the joint.

(3) Sampling. Samples shall be neatly cut with a core drill. The cutting edge of the core drill bit shall be of hardened steel or other suitable material with diamond chips embedded in the metal cutting edge. The minimum diameter of the sample shall be five inches. Samples that are clearly defective, as a result of sampling, shall be discarded and another sample taken. The Contractor shall furnish all tools, labor, and materials for cutting samples, cleaning, and filling the cored pavement. Cored pavement shall be cleaned and core holes shall be filled in a manner acceptable to the Engineer and within one day after sampling.

(4) Testing. The bulk specific gravity of each cored sample will be measured by the Engineer in accordance with ASTM D 2726 or ASTM D 1188, whichever is applicable. The percent compaction (density) of each sample will be determined by dividing the bulk specific gravity of each subplot sample by the average bulk specific gravity of all laboratory prepared specimens for the lot, as determined as follows:

(a) Sufficient material for preparation of test specimens for all testing will be sampled by the Engineer on a random basis, in accordance with the procedures contained in ASTM D 3665. One set of laboratory compacted specimens will be prepared for each subplot in accordance with ASTM D 6926, at the number of blows required by paragraph 403-3.2, Table 1. Each set of laboratory compacted specimens will consist of three test portions prepared from the same sample increment. The sample of bituminous mixture may be put in a covered metal tin and placed in an oven for not less than 30 minutes or more than 60 minutes to stabilize to compaction temperature. The compaction temperature of the specimens shall be as specified in the job mix formula.

Engineer should increase hold times to not less than 60 minutes and not more than 90 minutes when absorptive aggregates are used,

(b) The bulk specific gravity of each test specimen shall be measured by the Engineer in accordance with ASTM D 2726 using the procedure for laboratory-prepared thoroughly dry specimens, or ASTM D 1188, whichever is applicable, for use in computing pavement density.

(c) The bulk specific gravity used to determine the joint density at joints formed between different lots shall be the lowest of the bulk specific gravity values from the two different lots.

(5) **Acceptance.** Acceptance of field placed material for mat and joint density will be determined by the Engineer in accordance with the requirements of paragraph 403-5.2b.

d. Partial Lots — Field Placed Material. When operational conditions cause a lot to be terminated before the specified number of tests have been made for the lot, or when the Contractor and Engineer agree in writing to allow overages or other minor tonnage placements to be considered as partial lots, the following procedure will be used to adjust the lot size and the number of tests for the lot.

The last batch produced where production is halted will be sampled, and its properties shall be considered as representative of the particular subplot from which it was taken. In addition, an agreed to minor placement will be sampled, and its properties shall be considered as representative of the particular subplot from which it was taken. Where three sublots are produced, they shall constitute a lot. Where one or two sublots are produced, they shall be incorporated into the next lot, and the total number of sublots shall be used in the acceptance plan calculation, i.e., n = 5 or n = 6, for example. Partial lots at the end of asphalt production on the project shall be included with the previous lot.

403-5.2 ACCEPTANCE CRITERIA.

a. General. Acceptance will be based on the following characteristics of the bituminous mixture and completed pavement and test results:

- (1) Mat density
- (2) Joint density
- (3) Thickness
- (4) Smoothness
- (5) Grade

Mat density will be evaluated for acceptance in accordance with paragraph 403-5.2b(1). Joint density will be evaluated for acceptance in accordance with paragraph 403-5.2b(2).

Thickness will be evaluated by the Engineer for compliance in accordance with paragraph 403-5.2b(3). Acceptance for smoothness will be based on the criteria contained in paragraph 403-5.2b(4). Acceptance for grade will be based on the criteria contained in paragraph 403-5.2b(5).

The Engineer may at any time, notwithstanding previous plant acceptance, reject and require the Contractor to dispose of any batch of bituminous mixture which is rendered unfit for use due to contamination, segregation, incomplete coating of aggregate, or improper mix temperature. Such rejection may be based on only visual inspection or temperature measurements. In the event of such rejection, the Contractor may take a representative sample of the rejected material in the presence of the Engineer, and if it can be demonstrated in the laboratory, in the presence of the Engineer, that such material was erroneously rejected, payment will be made for the material at the contract unit price.

b. Acceptance Criteria.

(1) **Mat Density.** Acceptance of each lot of plant produced material for mat density shall be based on the average of all of the densities taken from the sublots. If the average mat density of the lot so established equals or exceeds 96 percent, the lot shall be acceptable. If the average mat density of the lot is below 96 percent, the lot shall be removed and replaced at the Contractor's expense.

(2) Joint Density. Acceptance of each lot of plant produced material for joint density shall be based on the average of all of the joint densities taken from the sublots. If the average joint density of the lot so established equals or exceeds 94 percent, the lot shall be acceptable. If the average joint density of the lot is less than 94 percent, the Contractor shall stop production and evaluate the method of compacting joints. Production may resume once the reason for poor compaction has been determined and appropriate measures have been taken to ensure proper compaction.

(3) Thickness. Thickness of each course shall be evaluated by the Engineer for compliance to the requirements shown on the plans. Measurements of thickness shall be made by the Engineer using the cores extracted for each subplot for density measurement. The maximum allowable deficiency at any point shall not be more than 1/4 inch less than the thickness indicated for the lift. Average thickness of lift, or combined lifts, shall not be less than the indicated thickness. Where thickness deficiency exceeds the specified tolerances, the lot or subplot shall be corrected by the Contractor at his expense by removing the deficient area and replacing with new pavement. The Contractor, at his expense, may take additional cores as approved by the Engineer to circumscribe the deficient area.

(4) Smoothness. The final surface shall be free from roller marks. The finished surfaces of each course of the pavement, except the finished surface of the final surface course, shall not vary more than 3/8 inch when evaluated with a 16 foot straightedge. The finished surface of the final surface course shall not vary more than 1/4 inch when evaluated with a 16 foot straightedge. The lot size shall be [] square yards (square meters). Smoothness measurements shall be made at 50 foot intervals and as determined by the Engineer. In the longitudinal direction, a smoothness reading shall be made at the center of each paving lane. In the transverse direction, smoothness readings shall be made continuously across the full width of the pavement. However, transverse smoothness readings shall not be made across designed grade changes. At warped transition areas, straightedge position shall be adjusted to measure surface smoothness and not design grade transitions. When more than 15 percent of all measurements within a lot exceed the specified tolerance, the Contractor shall remove the deficient area to the depth of the course of pavement and replace with new material. Skin patching shall not be permitted. Isolated high points may be ground off providing the course thickness complies with the thickness specified on the plans. High point grinding will be limited to 15 square yards. Areas in excess of 15 square yards will require removal and replacement of the course in accordance with the limitations noted above.

The Engineer shall specify the lot size. A minimum of 2,000 square yards (1 650 square meters) is recommended.

(5) Grade. The finished surface of the pavement shall not vary from the gradeline elevations and cross sections shown on the plans by more than 1/2 inch (12.70 mm). The finished grade of each lot will be determined by running levels at intervals of 50 feet (15.2 m) or less longitudinally and all breaks in grade transversely (not to exceed 50 feet) to determine the elevation of the completed pavement. The Contractor shall pay the cost of surveying of the level runs that shall be performed by a licensed surveyor. The documentation, stamped and signed by a licensed surveyor, shall be provided by the Contractor to the Engineer. The lot size shall be [] square yards (square meters). When more than 15 percent of all the measurements within a lot are outside the specified tolerance, or if any one shot within the lot deviates 3/4 inch or more from planned grade, the Contractor shall remove the deficient area to the depth of the final course of pavement and replace with new material. Skin patching shall not be permitted. Isolated high points may be ground off providing the course thickness complies with the thickness specified on the plans. High point grinding will be limited to 15 square yards. The surface of the ground pavement shall have a texture consisting of grooves between 0.090 and 0.130 inches wide. The peaks and ridges shall be approximately 1/32 inch higher than the bottom of the grooves. The pavement shall be left in a clean condition. The removal of all of the slurry resulting from the grinding operation shall be continuous. The grinding operation should be controlled so the residue from the operation does not flow across other lanes of pavement. Areas in excess of 15 square yards will require removal and replacement of the pavement in accordance with the limitations noted above.

c. **Density Outliers.** If the tests within a lot include a very large or a very small value that appears to be outside the normal limits of variation, check for an outlier in accordance with ASTM E 178, at a significance level of 5 percent, to determine if this value should be discarded.

A minimum of 2,000 square yards (1,650 square meters) is recommended.

403-5.3 RESAMPLING PAVEMENT FOR MAT DENSITY.

a. **General.** Resampling of a lot of pavement will only be allowed for mat density and then, only if the Contractor requests same in writing, within 48 hours after receiving the written test results from the Engineer. A retest will consist of all the sampling and testing procedures contained in paragraphs 403-5.1b(1). Only one resampling per lot will be permitted.

(1) A redefined mat density shall be calculated for the resampled lot. The number of tests used to calculate the redefined mat density shall include the initial tests made for that lot plus the retests.

(2) The cost for resampling and retesting shall be borne by the Contractor.

b. **Payment for Resampled Lots.** The redefined mat density for a resampled lot shall be used to evaluate the acceptance of that lot in accordance with Paragraph 403-5.2.

[**403-5.4 LEVELING COURSE.** Any course used for truing and leveling shall meet the requirements of paragraph 403-3.2, but shall not be subject to the density requirements of paragraph 403-5.1. The leveling course shall be compacted with the same effort used to achieve density of the test section. The truing and leveling course shall not exceed a nominal thickness of 1-½ inches (37.5 mm). The leveling course is the first variable thickness lift of an overlay placed prior to subsequent courses.]

Use this paragraph only when there is a need to restore proper cross-section prior to overlaying. Areas of the pavement requiring a leveling course shall be shown on the plans.

CONTRACTOR QUALITY CONTROL

403-6.1 GENERAL. The Contractor shall perform quality control sampling, testing, and inspection during all phases of the work and shall perform them at a rate sufficient to ensure that the work conforms to the contract requirements, and at minimum test frequencies required by paragraph 403-6.3, including but not limited to:

- a. Mix Design
- b. Aggregate Grading
- c. Quality of Materials
- d. Stockpile Management
- e. Proportioning
- f. Mixing and Transportation
- g. Placing and Finishing
- h. Joints
- i. Compaction
- j. Surface smoothness

403-6.2 TESTING LABORATORY. The Contractor shall provide a fully equipped asphalt laboratory meeting the requirements of paragraph 403-3.5 and 403-4.2a(2) located at the plant or job site. The Contractor shall provide the Engineer with certification stating that all of the testing equipment to be used is properly calibrated and will meet the specifications applicable for the specified test procedures.

403-6.3 QUALITY CONTROL TESTING. The Contractor shall perform all quality control tests necessary to control the production and construction processes applicable to these specifications and as set forth in the approved Quality Control Program. The testing program shall include, but not necessarily be limited to, tests for the control of asphalt content, aggregate gradation, temperatures, aggregate moisture, field compaction, and surface smoothness.

a. Asphalt Content. A minimum of two tests shall be performed per lot in accordance with ASTM D 2172 for determination of asphalt content. The weight of ash portion of the test, as described in ASTM D 2172, shall be determined as part of the first test performed at the beginning of plant production; and as part of every tenth test performed thereafter, for the duration of plant production. The last weight of ash value obtained shall be used in the calculation of the asphalt content for the mixture. The asphalt content for the lot will be determined by averaging the test results.

The use of the nuclear method for determining asphalt content in accordance with ASTM D 4125 is permitted, provided that it is calibrated for the specific mix being used.

b. Gradation. Aggregate gradations shall be determined a minimum of twice per lot from mechanical analysis of extracted aggregate in accordance with ASTM D 5444 and ASTM C 136 (Dry Sieve). When asphalt content is determined by the nuclear method, aggregate gradation shall be determined from hot bin samples on batch plants, or from the cold feed on drum mix or continuous mix plants, and tested in accordance with ASTM C 136 (dry sieve) using actual batch weights to determine the combined aggregate gradation of the mixture.

c. Moisture Content of Aggregate. The moisture content of aggregate used for production shall be determined a minimum of once per lot in accordance with ASTM C 566.

d. Moisture Content of Mixture. The moisture content of the mixture shall be determined once per lot in accordance with ASTM D 1461 [or AASHTO T110].

ASTM D 1461 may be replaced with an AASHTO moisture content testing procedure using a conventional oven or microwave. The frequency can also change in the specification depending on the probability of incurring a moisture problem.

e. Temperatures. Temperatures shall be checked, at least four times per lot, at necessary locations to determine the temperatures of the dryer, the bitumen in the storage tank, the mixture at the plant, and the mixture at the job site.

f. In-Place Density Monitoring. The Contractor shall conduct any necessary testing to ensure that the specified density is being achieved. A nuclear gauge may be used to monitor the pavement density in accordance with ASTM D 2950.

g. Additional Testing. Any additional testing that the Contractor deems necessary to control the process may be performed at the Contractor's option.

h. Monitoring. The Engineer reserves the right to monitor any or all of the above testing.

403-6.4 SAMPLING. When directed by the Engineer, the Contractor shall sample and test any material that appears inconsistent with similar material being sampled, unless such material is voluntarily removed and replaced or deficiencies corrected by the Contractor. All sampling shall be in accordance with standard procedures specified.

403-6.5 CONTROL CHARTS. The Contractor shall maintain linear control charts both for individual measurements and range (i.e., difference between highest and lowest measurements) for aggregate gradation and asphalt content.

Control charts shall be posted in a location satisfactory to the Engineer and shall be kept current. As a minimum, the control charts shall identify the project number, the contract item number, the test number, each test parameter, the Action and Suspension Limits applicable to each test parameter, and the Contractor's test results. The Contractor shall use the control charts as part of a process control system for identifying potential problems and assignable causes before they occur. If the Contractor's projected data during production indicates a problem and the Contractor is not taking satisfactory corrective action, the Engineer may suspend production or acceptance of the material.

a. Individual Measurements. Control charts for individual measurements shall be established to maintain process control within tolerance for aggregate gradation and asphalt content. The control charts shall use the job mix formula target values as indicators of central tendency for the following test parameters with associated Action and Suspension Limits:

CONTROL CHART LIMITS FOR INDIVIDUAL MEASUREMENTS		
Sieve	Action Limit	Suspension Limit
¾ inch (19.0 mm)	0%	0%
½ inch (12.5 mm)	+/-6%	+/-9%
⅜ inch (9.5 mm)	+/-6%	+/-9%
No. 4 (4.75 mm)	+/-6%	+/-9%
No. 16 (1.18 mm)	+/-5%	+/-7.5%
No. 50 (0.30 mm)	+/-3%	+/-4.5%
No. 200 (0.075 mm)	+/-2%	+/-3%
Asphalt Content	+/-0.45%	+/-0.70%

b. Range. Control charts for range shall be established to control process variability for the test parameters and Suspension Limits listed below. The range shall be computed for each lot as the difference between the two test results for each control parameter. The Suspension Limits specified below are based on a sample size of $n = 2$. Should the Contractor elect to perform more than two tests per lot, the Suspension Limits shall be adjusted by multiplying the Suspension Limit by 1.18 for $n = 3$ and by 1.27 for $n = 4$.

CONTROL CHART LIMITS BASED ON RANGE (Based on $n = 2$)	
Sieve	Suspension Limit
½ inch (12.5 mm)	11 percent
⅜ inch (9.5 mm)	11 percent
No. 4 (4.75 mm)	11 percent
No. 16 (1.18 mm)	9 percent
No. 50 (0.30 mm)	6 percent
No. 200 (0.075 mm)	3.5 percent
Asphalt Content	0.8 percent

c. Corrective Action. The Contractor Quality Control Program shall indicate that appropriate action shall be taken when the process is believed to be out of tolerance. The Plan shall contain sets of rules to gauge when a process is out of control and detail what action will be taken to bring the process into control. As a minimum, a process shall be deemed out of control and production stopped and corrective action taken, if:

- (1) One point falls outside the Suspension Limit line for individual measurements or range; or
- (2) Two points in a row fall outside the Action Limit line for individual measurements.

The aggregate control chart parameters and Suspension and Action Limits contained in the above paragraphs are based on 3/4 inch (19.0 mm) maximum size aggregate gradation. When 1-inch (25.0 mm) or 1-1/4 inch (31.2 mm) maximum size aggregate greater than 3/4" is specified, the Individual Measurements Chart requirements should be amended as follows:

Sieve	Action Limit	Suspension Limit
1 inch or greater or 1-1/2 inch	0%	0%
3/4 inch	26%	11%

When 1/2-inch (12.5 mm) maximum size aggregate is specified, the 3/4-inch (19.0 mm) and 1-inch (25.0 mm) sieves should be deleted from the Individual Measurements Chart and the 1/2-inch (12.5 mm) sieve Action and Suspension Limits should be changed to 0%. For the 1/2-inch (12.5 mm) gradation, the 1/2-inch sieve should be deleted from the Range Chart.

403-6.6 QUALITY CONTROL REPORTS. The Contractor shall maintain records and shall submit reports of quality control activities daily.

METHOD OF MEASUREMENT

403-7.1 MEASUREMENT. Plant mix bituminous concrete pavement shall be measured by the number of tons (kg) of bituminous mixture used in the accepted work. Recorded batch weights or truck scale weights will be used to determine the basis for the tonnage.

BASIS OF PAYMENT

403-8.1 PAYMENT. Payment for an accepted lot of bituminous concrete pavement shall be made at the contract unit price per ton (kg) for bituminous mixture. The price shall be compensation for furnishing all materials, for all preparation, mixing, and placing of these materials, and for all labor, equipment, tools, and incidentals necessary to complete the item.

Payment will be made under:

Item P-403-8.1a	Bituminous [] [Surface] [Base] [Binder] [Leveling] Course —per ton (kg)
-----------------	---

TESTING REQUIREMENTS

- ASTM C 29 Bulk Density (“Unit Weight”) and Voids in Aggregate
- ASTM C 88 Soundness of Aggregates by Use of Sodium Sulfate or Magnesium Sulfate
- ASTM C 117 Materials Finer than 75µm (No.200) Sieve in Mineral Aggregates by Washing
- ASTM C 127 Specific Gravity and Absorption of Coarse Aggregate

ASTM C 131	Resistance to Degradation of Small Size Coarse Aggregate by Abrasion and Impact in the Los Angeles Machine
ASTM C 136	Sieve Analysis of Fine and Coarse Aggregates
ASTM C 183	Sampling and the Amount of Testing of Hydraulic Cement
ASTM C 566	Total Evaporable Moisture Content of Aggregate by Drying
ASTM D 75	Sampling Aggregates
ASTM D 979	Sampling Bituminous Paving Mixtures
ASTM D 995	Mixing Plants for Hot-Mixed Hot-Laid Bituminous Paving Mixtures
ASTM D 1073	Fine Aggregate for Bituminous Paving Mixtures
ASTM D 1074	Compressive Strength of Bituminous Mixtures
ASTM D 1188	Bulk Specific Gravity and Density of Compacted Bituminous Mixtures Using Paraffin-Coated Specimens
ASTM D 1461	Moisture or Volatile Distillates in Bituminous Paving Mixtures
ASTM D 2041	Theoretical Maximum Specific Gravity and Density of Bituminous Paving Mixtures
ASTM D 2172	Quantitative Extraction of Bitumen from Bituminous Paving Mixtures
ASTM D 2419	Sand Equivalent Value of Soils and Fine Aggregate
ASTM D 2489	Estimating Degree of Particle Coating of Bituminous-Aggregate Mixtures
ASTM D 2726	Bulk Specific Gravity and Density of Non-Absorptive Compacted Bituminous Mixtures
ASTM D 2950	Density of Bituminous Concrete in Place by Nuclear Methods
ASTM D 3203	Percent Air Voids in Compacted Dense and Open Bituminous Paving Mixtures
ASTM D 3665	Random Sampling of Construction Materials
ASTM D 3666	Minimum Requirements for Agencies Testing and Inspecting Road and Paving Materials
ASTM D 4125	Asphalt Content of Bituminous Mixtures by the Nuclear Method
ASTM D 4318	Liquid Limit, Plastic Limit, and Plasticity Index of Soils
ASTM D 4791	Flat Particles, Elongated Particles, or Flat and Elongated Particles in Coarse Aggregate
ASTM D 4867	Effect of Moisture on Asphalt Concrete Paving Mixtures
ASTM D 5444	Mechanical Size Analysis of Extracted Aggregate
ASTM D 5581	Resistance to Plastic Flow of Bituminous Mixtures Using Marshall Apparatus (6" Diameter Specimen)

ASTM D 6926	Preparation of Bituminous Specimens Using MARSHALL Apparatus
ASTM D 6927	MARSHALL Stability and Flow of Bituminous Mixtures
ASTM E 11	Wire-Cloth Sieves for Testing Purposes
ASTM E 178	Dealing with Outlying Observations
AASHTO T 30	Mechanical Analysis of Extracted Aggregate
[AASHTO T 110	Moisture or Volatile Distillates in Bituminous Paving Mixtures]
The Asphalt Institute's Manual No. 2 (MS-2)	Mix Design Methods for Asphalt Concrete

MATERIAL REQUIREMENTS

ASTM D 242	Mineral Filler for Bituminous Paving Mixtures
ASTM D 946	Penetration Graded Asphalt Cement for Use in Pavement Construction
ASTM D 3381	Viscosity-Graded Asphalt Cement for Use in Pavement Construction
ASTM D 4552	Classifying Hot-Mix Recycling Agents
AASHTO MP1	Performance Graded Binder Designation

END OF ITEM P-403

**PART VI – RIGID PAVEMENT
ITEM P-501 PORTLAND CEMENT CONCRETE PAVEMENT**

DESCRIPTION

501-1.1 This work shall consist of pavement composed of Portland cement concrete, [**with reinforcement**] [**without reinforcement**] constructed on a prepared underlying surface in accordance with these specifications and shall conform to the lines, grades, thickness, and typical cross sections shown on the plans.

The Engineer shall specify with or without reinforcement.

MATERIALS

501-2.1 AGGREGATES.

a. Reactivity. Aggregates shall be tested for deleterious reactivity with alkalis in the cement, which may cause excessive expansion of the concrete. Tests of coarse and fine aggregate shall be made in accordance with ASTM C 1260. If the expansion of the coarse or fine aggregate test specimens, tested in accordance with ASTM C 1260, does not exceed 0.10 % at 16 days from casting, the coarse or fine aggregates shall be accepted.

If the expansion at 16 days is greater than 0.10%, tests of combined materials shall be made in accordance with ASTM C 1260 or ASTM C 1567 using the aggregates, cementitious materials, and/or specific reactivity reducing chemicals in the proportions proposed for the mixture design. If the expansion of the proposed combined materials test specimens, tested in accordance with ASTM C 1260 or ASTM C 1567, does not exceed 0.10 % at [30] days from casting, the proposed combined materials will be accepted. If the expansion of the proposed combined materials test specimens is greater than 0.10% at 30 days, the aggregates will not be accepted unless adjustments to the combined materials mixture can reduce the expansion to less than 0.10 % at 30 days, or new aggregates shall be evaluated and tested.

The Engineer shall specify, require, and at a minimum, insert Appendix 1 contained in FAA Engineering Brief No. 70 when runway deicing chemicals will be used on the pavement. The Engineer must provide Contractors and bidders with a notification that the test protocols and decision tree contained FAA Engineering Brief No. 70 will be part of the contract.

b. Fine Aggregate. Fine aggregate shall conform to the requirements of ASTM C 33. Gradation shall meet the requirements of Table 1 when tested in accordance with ASTM C 136, except as may otherwise be qualified under Section 6 of ASTM C 33.

TABLE 1. GRADATION FOR FINE AGGREGATE (ASTM C 33)

Sieve Designation (Square Openings)	Percentage by Weight Passing Sieves
3/8 in. (9.5 mm)	100
No. 4 (4.75 mm)	95-100
No. 8 (2.36 mm)	80-100
No. 16 (1.18 mm)	50-85
No. 30 (600 micro-m)	25-60
No. 50 (300 micro-m)	10-30
No. 100 (150 micro-m)	2-10

c. Coarse Aggregate. Coarse aggregate shall conform to the requirements of ASTM C 33. Gradation, within the separated size groups, shall meet the requirements of Table 2 when tested in accordance with ASTM C 136. When the nominal maximum size of the aggregate is greater than 1 inch, the aggregates shall be furnished in two size groups.

Aggregates delivered to the mixer shall consist of crushed stone, crushed or uncrushed gravel, air-cooled blast furnace slag, crushed recycled concrete pavement, or a combination thereof. The aggregate shall be composed of clean, hard, uncoated particles and shall meet the requirements for deleterious substances contained in ASTM C 33, Class []. Dust and other coating shall be removed from the aggregates by washing. The aggregate in any size group shall not contain more than 8 percent by weight of flat or elongated pieces when tested in accordance with ASTM D 4791. A flat or elongated particle is one having a ratio between the maximum and the minimum dimensions of a circumscribing rectangular prism exceeding 5 to 1.

The Engineer shall specify the Class in accordance with Table 3 of ASTM C 33 or based on historical data. In areas affected by Disintegration Cracking (D-cracking), the Engineer should add ASTM C 666, Resistance of Concrete to Rapid Freezing and Thawing, to the list of testing requirements.

The percentage of wear shall be no more than [] when tested in accordance with ASTM C 131 or ASTM C 535.

The Engineer shall specify the percentage of wear. It should not exceed 40 percent. In certain cases where aggregate of this quality cannot be obtained economically, aggregate with a higher percentage of wear may be used if a satisfactory service record of at least 5 years' duration under similar conditions of service and exposure has been demonstrated.

The Engineer shall specify the aggregate to be furnished from the table shown in this note. The appropriate gradation shall be inserted into Table 2. Insert points are denoted by asterisks. Where locally available aggregates cannot be economically blended to meet the grading requirements, the gradations may be modified by the Engineer to fit the characteristics of such locally available aggregates.

GRADATION FOR COARSE AGGREGATE

Sieve Designations (square openings)		Percentage by Weight Passing Sieves				
		From 2" to No. 4 (50.8 mm - 4.75 mm)		From 1-1/2" to No. 4 (38.1 mm - 4.75 mm)		From 1" to No. 4 (25.0 mm-4.75 mm)
		#3 2"-1"	#57 1"-No.4	#4 1-1/2"-3/4"	#67 3/4"-No.4	#57 1"-No.4
in.	mm					
2-1/2	63	100	---	---	---	---
2	50.8	90-100	---	100	---	---
1-1/2	38.1	35-70	100	90-100	---	100
1	25.0	0-15	95-100	20-55	100	95-100
3/4	19.0	---	---	0-15	90-100	---
1/2	12.5	0-5	25-60	---	---	25-60
3/8	9.5	---	---	0-5	20-55	---
No. 4	4.75	---	0-10	---	0-10	0-10
No. 8	2.36	---	0-5	---	0-5	0-5

**TABLE 2. GRADATION FOR COARSE AGGREGATE
ASTM C 33**

Sieve Designations (square openings)		Percentage by Weight Passing Sieves	
		*	*
in.	mm		
2-1/2	63	*	*
2	50.8	*	*
1-1/2	38.1	*	*
1	25.0	*	*
3/4	19.0	*	*
1/2½	12.5	*	*
3/8	9.5	*	*
No. 4	4.75	*	*
No. 8	2.36	*	*

Aggregate gradations that produce concrete mixtures with well-graded or optimized aggregate combinations may be substituted for the requirements of Tables 1 and Table 2 with prior approval of the Engineer and the FAA. The contractor shall submit complete mixture information necessary to calculate the volumetric components of the mixture.

Aggregate susceptibility to Disintegration (D) Cracking. Aggregates that have a history of D-cracking shall not be used. Prior to approval of mixture design and production of Portland cement concrete the Contractor shall submit written certification that the aggregate does not have a history of D-Cracking and that the aggregate meets the specified State requirements.

(1) Other sources of crushed stone aggregate shall be approved if the durability factor as determined by ASTM C 666 is greater than or equal to 95 and all other quality test requirements within these specifications are fulfilled. The FAA will consider and reserves final approval of other State classification procedures.

(2) Crushed gravel and sand-gravel aggregates shall not be required to meet freeze-thaw durability ratings. These aggregates shall be approved for use in concrete by the state highway agency in the state from which the aggregate originates and the state in which they are to be used and shall meet all other criteria within these specifications.

501-2.2 CEMENT. Cement shall conform to the requirements of ASTM [] Type [].

The Engineer shall specify one of the following: ASTM C 150 - Type I, II, III, or V.

ASTM C 595 - Type IP, IS.

ASTM C 1157 – Types GU, HE, HS, MH, LH

ASTM C 150 covers portland cements. ASTM C 595 covers blended hydraulic cements as follows: IP - Portland-Pozzolan Cement, IS - Portland Blast-Furnace Slag Cements ASTM C 1157 covers the following hydraulic cements: General Use (GE), High-Early Strength (HE), Moderate Sulfate Resistance (MS), High Sulfate Resistance (HS), Moderate Heat of Hydration (MH), and Low Heat of Hydration (LH). The chemical requirements for all cement types specified should meet suitable criteria for deleterious activity in accordance with ASTM C 33 or based on historical data. Low alkali cements (less than 0.6% total equivalent alkalinity, the low reactivity option in ASTM C 595, or Option R in ASTM C 1157) should be specified when any doubt exists.

Total Alkalis (Na2O & K2O) of the cement secured for the production of concrete shall be independently verified in accordance with ASTM C 114.

If for any reason, cement becomes partially set or contains lumps of caked cement, it shall be rejected. Cement salvaged from discarded or used bags shall not be used.

Only cements containing less than 0.6% equivalent alkali or cements that can demonstrate a positive reduction in the expansion created by alkali-silica reactions shall be used.

501-2.3 CEMENTITIOUS MATERIALS.

a. Fly Ash or Natural Pozzolan. Fly ash shall meet the requirements of ASTM C 618, Class C, F, or N with the exception of loss of ignition, where the maximum shall be less than 6 percent for Class F or N. [The supplementary optional chemical and physical properties of Table 3 contained in ASTM C 618 shall apply.] Fly ash such as is produced in furnace operations utilizing liming materials or soda ash (sodium carbonate) as an additive shall not be acceptable. The Contractor shall furnish vendor's certified test reports for each shipment of Fly Ash used in the project. The vendor's certified test report can be used for acceptance or the material may be tested independently by the Engineer.

Delete class C Pozzolan for areas of potential alkali silica reactive aggregates.

b. Blast Furnace Slag (Slag Cement). Ground Granulated Blast Furnace (GGBF) slag shall conform to ASTM C 989, Grade 100 or 120. GGBF shall be used only at a rate between 25 and 55 percent of the total cementitious material by mass.

GGBFS (Slag Cement), must be permitted at the contractor's option, unless its use can be determined to be inappropriate for technical reasons documented by the owner or the design engineer.

501-2.4 PREMOLDED JOINT FILLER. Premolded joint filler for expansion joints shall conform to the requirements of [ASTM D 1751] [ASTM D 1752, Type II or III] and shall be punched to admit the dowels where called for on the plans. The filler for each joint shall be furnished in a single piece for the full depth and width required for the joint, unless otherwise specified by the Engineer. When the use of more than one piece is required for a joint, the abutting ends shall be fastened securely and held accurately to shape by stapling or other positive fastening means satisfactory to the Engineer.

The Engineer shall designate either ASTM D 1751 or ASTM D 1752. Joint filler must be compatible with joint sealants.

501-2.5 JOINT SEALER. The joint sealer for the joints in the concrete pavement shall meet the requirements of Item P-605 and shall be of the type(s) specified in the plans.

501-2.6 STEEL REINFORCEMENT. Reinforcing shall consist of [] conforming to the requirements of ASTM [].

The Engineer shall designate one of the following:

Welded steel wire fabric ASTM A 185

Welded deformed steel fabric ASTM A 497

Bar mats ASTM A 184 or A 704

Welded wire fabric shall be furnished in flat sheets only.

Delete this paragraph when not applicable to the project.

501-2.7 DOWEL AND TIE BARS. Tie bars shall be deformed steel bars and conform to the requirements of ASTM A 615 or ASTM A 996, except that rail steel bars, Grade 50 or 60, shall not be used for tie bars that are to be bent or restraightened during construction. Tie bars designated as Grade 40 in ASTM A 615 can be used for construction requiring bent bars.

Dowel bars shall be plain steel bars conforming to ASTM A 615 or ASTM A 966 and shall be free from burring or other deformation restricting slippage in the concrete. High strength dowel bars shall conform to ASTM A 714, Class 2, Type S, Grade I, II or III, Bare Finish. Before delivery to the construction site each dowel bar shall be painted with one coat of paint conforming to MIL-DTL-24441/20A.SSPC Paint 5 or SSPC Paint 25.Metal or plastic collars shall be full circular device supporting the dowel until the epoxy hardens.

The sleeves for dowel bars used in expansion joints shall be metal or other type of an approved design to cover 2 to 3 inches (50 mm to 75 mm) of the dowel, with a closed end and with a suitable stop to hold the end of the bar at least 1 inch (25 mm) from the closed end of the sleeve. Sleeves shall be of such design that they will not collapse during construction.

501-2.8 WATER. Water used in mixing or curing shall be clean and free of oil, salt, acid, alkali, sugar, vegetable, or other substances injurious to the finished product. Water will be tested in accordance with the requirements of AASHTO T 26. Water known to be of potable quality may be used without testing.

501-2.9 COVER MATERIAL FOR CURING. Curing materials shall conform to one of the following specifications:

a. Liquid membrane-forming compounds for curing concrete shall conform to the requirements of ASTM C 309, Type 2, Class B, or Class A if wax base only.

b. White polyethylene film for curing concrete shall conform to the requirements of ASTM C 171.

c. White burlap-polyethylene sheeting for curing concrete shall conform to the requirements of ASTM C 171.

d. Waterproof paper for curing concrete shall conform to the requirements of ASTM C 171.

501-2.10 ADMIXTURES. The use of any material added to the concrete mix shall be approved by the Engineer. The Contractor shall submit certificates indicating that the material to be furnished meets all of the requirements indicated below. In addition, the Engineer may require the Contractor to submit complete test data from an approved laboratory showing that the material to be furnished meets all of the requirements of the cited specifications. Subsequent tests may be made of samples taken by the Engineer from the supply of the material being furnished or proposed for use on the work to determine whether the admixture is uniform in quality with that approved.

a. **Air-Entraining Admixtures.** Air-entraining admixtures shall meet the requirements of ASTM C 260 and shall consistently entrain the air content in the specified ranges under field conditions. The air-entrainment agent and any water reducer admixture shall be compatible.

b. **Chemical Admixtures.** Water-reducing, set retarding, and set-accelerating admixtures shall meet the requirements of ASTM C 494, including the flexural strength test.

501-2.11 EPOXY-RESIN. Epoxy-resin used to anchor dowels and tie bars in pavements shall conform to the requirements of ASTM C 881, Type I, Grade 3, Class C. Class A or B shall be used when the surface temperature of the hardened concrete is below 60 degrees F (16 degrees C).

501-2.12 MATERIAL ACCEPTANCE. Prior to use of materials, the Contractor shall submit certified test reports to the Engineer for those materials proposed for use during construction. The certification shall show the appropriate ASTM test(s) for each material, the test results, and a statement that the material passed or failed.

The Engineer may request samples for testing, prior to and during production, to verify the quality of the materials and to ensure conformance with the applicable specifications.

MIX DESIGN

501-3.1 PROPORTIONS. Concrete shall be designed to achieve a 28-day flexural strength that meets or exceeds the acceptance criteria contained in paragraph 501-5.2 for a flexural strength of [] psi. The mix shall be designed using the procedures contained in Chapter 9 of the Portland Cement Association's manual, "Design and Control of Concrete Mixtures".

The Engineer shall designate the design strength. Refer to AC 150/5320-6 for guidance when specifying flexural strength. The minimum flexural strength allowable for airport pavements is 600 psi (4 136 kPa).

Higher flexural strength can be specified when local materials make this economically feasible. However, it must be recognized that due to variations in materials, operations, and testing, the average strength of concrete furnished by a supplier must be higher than the specified strength to insure a good statistical chance of meeting the acceptance criteria throughout the duration of the job.

For pavements designed to accommodate aircraft gross weights of 30,000 pounds (13 500 kg) or less, this section may be modified to indicate that concrete shall be designed to achieve a 28-day compressive strength such that meets or exceeds the acceptance criteria for a compressive strength of 4,400 psi (30 700 kPa).

If the specified strength is required earlier than 28 days, the Engineer shall designate the time period.

The Contractor shall note that to ensure that the concrete actually produced will meet or exceed the acceptance criteria for the specified strength, the mix design average strength must be higher than the specified strength. The amount of overdesign necessary to meet specification requirements depends on the producer's standard deviation of flexural test results and the accuracy that that value can be estimated from historic data for the same or similar materials.

The minimum cementitious material (cement plus fly ash, or GGBFS) shall be [] pounds per cubic yard ([] kg per cubic meter). The ratio of water to cementitious material, including free surface moisture on the aggregates but not including moisture absorbed by the aggregates shall not be more than [] by weight.

A minimum cementitious material content of 564 pounds (227 kg) should be specified. A higher minimum may be necessary to meet the specified strength when other cementitious materials are substituted or to meet durability requirements for severe freeze/thaw, deicer, or sulfate exposure.

A maximum water/cementitious ratio of 0.45 should be specified. A lower water/cementitious ratio may be necessary for severe freeze/thaw, deicer, or sulfate exposure.

Prior to the start of paving operations and after approval of all material to be used in the concrete, the Contractor shall submit a mix design showing the proportions and flexural strength obtained from the concrete at 7 and 28 days. The mix design shall include copies of test reports, including test dates, and a complete list of materials

including type, brand, source, and amount of cement, fly ash, ground slag, coarse aggregate, fine aggregate, water, and admixtures. The fineness modulus of the fine aggregate and the air content shall also be shown. The mix design shall be submitted to the Engineer at least [] days prior to the start of operations. The submitted mix design shall not be more than 90 days old. Production shall not begin until the mix design is approved in writing by the Engineer.

Should a change in sources be made, or admixtures added or deleted from the mix, a new mix design must be submitted to the Engineer for approval.

A minimum of 10 days is recommended.

Flexural strength test specimens shall be prepared in accordance with ASTM C 192 and tested in accordance with ASTM C 78. The mix determined shall be workable concrete having a slump for side-form concrete between 1 and 2 inches (25 mm and 50 mm) as determined by ASTM C 143. For vibrated slip-form concrete, the slump shall be between 1/2 inch (13 mm) and 1 1/2 inches (38 mm).

When the design strength in paragraph 501-3.1 is based on compressive strength, the specimens should be tested in accordance with ASTM C 39. Substitute compressive strength for flexural strength.

501-3.2 CEMENTITIOUS MATERIALS.

a. Fly Ash. Fly ash may be used in the mix design. When fly ash is used as a partial replacement for cement, the minimum cement content may be met by considering Portland cement plus fly ash as the total cementitious material. The replacement rate shall be determined from laboratory trial mixes, but shall be between 20 and 30 percent by weight of the total cementitious material. If fly ash is used in conjunction with ground granular blast furnace slag the maximum replacement rate shall not exceed 10 percent by weight of total cementitious material.

b. Ground Slag. Ground blast-furnace slag may be used in a mix design containing Type I or Type II cement. The slag, or slag plus fly ash if both are used, may constitute between 25 to 55 percent of the total cementitious material by weight. If the concrete is to be used for slipforming operations and the air temperature is expected to be lower than 55 degrees F (13 degrees C) the percent slag shall not exceed 30 percent by weight.

Due to variations in fly ash, cement, strength requirements, etc. the replacement rate specified should be based on local materials, but should be between 10-20 percent.

Concrete containing fly ash will ultimately develop a flexural strength greater than concrete without fly ash. However, the rate of development and the ultimate strength of the concrete depend on the characteristics of the fly ash, the cement used, the proportions of fly ash and cement, and the curing environment.

EPA guidelines published in 40 CFR Part 249, which implement provisions of the Resource Conservation and Recovery Act of 1976, require that contract specifications allow for the use of fly ash, unless its use can be determined to be inappropriate for technical reasons documented by the owner or the design engineer.

501-3.3 ADMIXTURES.

a. Air-Entraining. Air-entraining admixture shall be added in such a manner that will insure uniform distribution of the agent throughout the batch. The air content of freshly mix air-entrained concrete shall be based upon trial mixes with the materials to be used in the work adjusted to produce concrete of the required plasticity and workability. The percentage of air in the mix shall be []. Air content shall be determined by testing in accordance with ASTM C 231 for gravel and stone coarse aggregate and ASTM C 173 for slag and other highly porous coarse aggregate.

b. Chemical. Water-reducing, set-controlling, and other approved admixtures shall be added to the mix in the manner recommended by the manufacturer and in the amount necessary to comply with the specification requirements. Tests shall be conducted on trial mixes, with the materials to be used in the work, in accordance with ASTM C 494.

The Engineer shall specify the appropriate air content as determined from the table in this note. For warm climate areas where freezing and thawing are not a factor, non-air-entrained concrete may be used.

RECOMMENDED AIR CONTENT (PERCENT)

Exposure Level	Maximum Size Aggregate inches (mm)				
	2(51)	1.5(38)	1(25)	3/4(19)	1/2(13)
Mild	2.0	2.5	3.0	3.5	4.0
Moderate	4.0	4.5	4.5	5.0	5.5
Severe	5.0	5.5	6.0	6.0	7.0

Mild exposure - When desired for other than durability, such as to improve workability. Used where pavement will not be exposed to freezing or to deicing agents.

Moderate exposure - Service in a climate where freezing is expected but where the concrete will not be continually exposed to moisture or free water for long periods prior to freezing and will not be exposed to deicing agents or other aggressive chemicals.

Severe exposure - Concrete which is exposed to deicing chemicals or other aggressive agents or where the concrete may become highly saturated by continual contact with moisture or free water prior to freezing.

501-3.4 TESTING LABORATORY. The laboratory used to develop the mix design shall meet the requirements of ASTM C 1077. The laboratory accreditation will include ASTM C 78. A certification that it meets these requirements shall be submitted to the Engineer prior to the start of mix design. The certification shall include evidence that the laboratory is inspected/accredited for the test methods required herein by a nationally recognized laboratory inspection accreditation organization.

CONSTRUCTION METHODS

501-4.1 EQUIPMENT. Equipment necessary for handling materials and performing all parts of the work shall be approved by the engineer as to design, capacity, and mechanical conditions. The equipment shall be at the jobsite sufficiently ahead of the start of paving operations to be examined thoroughly and approved.

a. Batch Plant and Equipment. The batch plant and equipment shall conform to the requirements of ASTM C 94.

b. Mixers and Transportation Equipment.

(1) General. Concrete may be mixed at a central plant, or wholly or in part in truck mixers. Each mixer shall have attached in a prominent place a manufacturer's nameplate showing the capacity of the drum in terms of volume of mixed concrete and the speed of rotation of the mixing drum or blades.

The Engineer may specify the use of a central plant mixer if deemed necessary for a particular project.

(2) Central plant mixer. Central plant mixers shall conform to the requirements of ASTM C 94.

The mixer shall be examined daily for changes in condition due to accumulation of hard concrete or mortar or wear of blades. The pickup and throwover blades shall be replaced when they have worn down 3/4 inch (19 mm) or more. The Contractor shall have a copy of the manufacturer's design on hand showing dimensions and arrangement of blades in reference to original height and depth.

(3) Truck mixers and truck agitators. Truck mixers used for mixing and hauling concrete and truck agitators used for hauling central-mixed concrete shall conform to the requirements of ASTM C 94.

(4) Nonagitator trucks. Nonagitator hauling equipment shall conform to the requirements of ASTM C 94.

c. Finishing Equipment. The standard method of constructing concrete pavements on FAA projects shall be with an approved slip-form paving equipment designed to spread, consolidate, screed, and float-finish the freshly placed concrete in one complete pass of the machine so a dense and homogeneous pavement is achieved with a minimum of hand finishing. The paver-finisher shall be a heavy duty, self-propelled machine designed specifically for paving and finishing high quality concrete pavements. It shall weigh at least 2200 lbs. per foot of paving lane width and powered by an engine having at least 6.0 horsepower per foot of lane width.

On projects requiring less than 500 square yards of cement concrete pavement or requiring individual placement areas of less than 500 square yards, or irregular areas at locations inaccessible to slip-form paving equipment, cement concrete pavement may be placed with approved placement and finishing equipment utilizing stationary side forms. Hand screeding and float finishing may only be utilized on small irregular areas as allowed by the Engineer.

d. Vibrators. Vibrator shall be the internal type. Operating frequency for internal vibrators shall be between 8,000 and 12,000 vibrations per minute. Average amplitude for internal vibrators shall be 0.025-0.05 inches (0.06-0.13 cm).

The number, spacing, and frequency shall be as necessary to provide a dense and homogeneous pavement and meet the recommendations of ACI 309, Guide for Consolidation of Concrete. Adequate power to operate all vibrators shall be available on the paver. The vibrators shall be automatically controlled so that they shall be stopped as

forward motion ceases. The contractor shall provide an electronic or mechanical means to monitor vibrator status. The checks on vibrator status shall occur a minimum of two times per day or when requested by the Engineer.

Hand held vibrators may be used in irregular areas only, but shall meet the recommendations of ACI 309, Guide for Consolidation of Concrete.

e. Concrete Saws. The Contractor shall provide sawing equipment adequate in number of units and power to complete the sawing to the required dimensions. The Contractor shall provide at least one standby saw in good working order and a supply of saw blades at the site of the work at all times during sawing operations.

f. Side Forms. Straight side forms shall be made of steel and shall be furnished in sections not less than 10 feet (3 m) in length. Forms shall have a depth equal to the pavement thickness at the edge, and a base width equal to or greater than the depth. Flexible or curved forms of proper radius shall be used for curves of 100-foot (31 m) radius or less. Forms shall be provided with adequate devices for secure settings so that when in place they will withstand, without visible spring or settlement, the impact and vibration of the consolidating and finishing equipment. Forms with battered top surfaces and bent, twisted or broken forms shall not be used. Built-up forms shall not be used, except as approved by the Engineer. The top face of the form shall not vary from a true plane more than 1/8 inch (3 mm) in 10 feet (3 m), and the upstanding leg shall not vary more than 1/4 inch (6 mm). The forms shall contain provisions for locking the ends of abutting sections together tightly for secure setting. Wood forms may be used under special conditions, when approved by the Engineer.

g. Pavers. The paver shall be fully energized, self-propelled, and designed for the specific purpose of placing, consolidating, and finishing the concrete pavement, true to grade, tolerances, and cross section. It shall be of sufficient weight and power to construct the maximum specified concrete paving lane width as shown in the plans, at adequate forward speed, without transverse, longitudinal or vertical instability or without displacement. The paver shall be equipped with electronic or hydraulic horizontal and vertical control devices.

501-4.2 FORM SETTING. Forms shall be set sufficiently in advance of the concrete placement to insure continuous paving operation. After the forms have been set to correct grade, the underlying surface shall be thoroughly tamped, either mechanically or by hand, at both the inside and outside edges of the base of the forms. Forms shall be staked into place sufficiently to maintain the form in position for the method of placement.

Form sections shall be tightly locked and shall be free from play or movement in any direction. The forms shall not deviate from true line by more than 1/8 inch (3 mm) at any joint. Forms shall be so set that they will withstand, without visible spring or settlement, the impact and vibration of the consolidating and finishing equipment. Forms shall be cleaned and oiled prior to the placing of concrete.

The alignment and grade elevations of the forms shall be checked and corrections made by the Contractor immediately before placing the concrete.

501-4.3 CONDITIONING OF UNDERLYING SURFACE. The compacted underlying surface on which the pavement will be placed shall be widened approximately 3 feet (1 m) to extend beyond the paving machine track to support the paver without any noticeable displacement. After the underlying surface has been placed and compacted to the required density, the areas that will support the paving machine and the area to be paved shall be trimmed or graded to the plan grade elevation and profile by means of a properly designed machine. The grade of the underlying surface shall be controlled by a positive grade control system using lasers, stringlines, or guide wires. If the density of the underlying surface is disturbed by the trimming operations, it shall be corrected by additional compaction and retested at the option of the Engineer before the concrete is placed except when stabilized subbases are being constructed. If damage occurs on a stabilized subbase, it shall be corrected full depth by the Contractor. If traffic is allowed to use the prepared grade, the grade shall be checked and corrected immediately before the placement of concrete. The prepared grade shall be moistened with water, without saturating, immediately ahead of concrete placement to prevent rapid loss of moisture from concrete. The underlying surface shall be protected so that it will be entirely free of frost when concrete is placed.

Stabilized subbase is required to accommodate aircraft with gross weights in excess of 100,000 pounds (45 300 kg) per Advisory Circular 150/5320-6.

501-4.4 CONDITIONING OF UNDERLYING SURFACE, SIDE-FORM AND FILL-IN LANE CONSTRUCTION. The prepared underlying surface shall be moistened with water, without saturating, immediately ahead of concrete placement to prevent rapid loss of moisture from the concrete. Damage caused by hauling or usage of other equipment shall be corrected and retested at the option of the Engineers. If damage occurs to a stabilized subbase, it shall be corrected full depth by the Contractor. A template shall be provided and operated on the forms immediately in advance of the placing of all concrete. The template shall be propelled only by hand and not attached to a tractor or other power unit. Templates shall be adjustable so that they may be set and maintained at the correct contour of the underlying surface. The adjustment and operation of the templates shall be such as will provide an accurate retest of the grade before placing the concrete thereon. All excess material shall be removed and wasted. Low areas shall be filled and compacted to a condition similar to that of the surrounding grade. The underlying surface shall be protected so that it will be entirely free from frost when the concrete is placed. The use of chemicals to eliminate frost in the underlying surface shall not be permitted.

The template shall be maintained in accurate adjustment, at all times by the Contractor, and shall be checked daily.

501-4.5 HANDLING, MEASURING, AND BATCHING MATERIAL. The batch plant site, layout, equipment, and provisions for transporting material shall assure a continuous supply of material to the work. Stockpiles shall be constructed in such a manner that prevents segregation and intermixing of deleterious materials.

Aggregates that have become segregated or mixed with earth or foreign material shall not be used. All aggregates produced or handled by hydraulic methods, and washed aggregates, shall be stockpiled or binned for draining at least 12 hours before being batched. Rail shipments requiring more than 12 hours will be accepted as adequate binning only if the car bodies permit free drainage.

Batching plants shall be equipped to proportion aggregates and bulk cement, by weight, automatically using interlocked proportioning devices of an approved type. When bulk cement is used, the Contractor shall use a suitable method of handling the cement from weighing hopper to transporting container or into the batch itself for transportation to the mixer, such as a chute, boot, or other approved device, to prevent loss of cement. The device shall be arranged to provide positive assurance that the cement content specified is present in each batch.

501-4.6 MIXING CONCRETE. The concrete may be mixed at the work site, in a central mix plant or in truck mixers. The mixer shall be of an approved type and capacity. Mixing time shall be measured from the time all materials, except water, are emptied into the drum. All concrete shall be mixed and delivered to the site in accordance with the requirements of ASTM C 94.

Mixed concrete from the central mixing plant shall be transported in truck mixers, truck agitators, or nonagitating trucks. The elapsed time from the addition of cementitious material to the mix until the concrete is deposited in place at the work site shall not exceed 30 minutes when the concrete is hauled in nonagitating trucks, nor 90 minutes when the concrete is hauled in truck mixers or truck agitators. Retempering concrete by adding water or by other means will not be permitted. With transit mixers additional water may be added to the batch materials and additional mixing performed to increase the slump to meet the specified requirements provided the addition of water is performed within 45 minutes after the initial mixing operations and provided the water/cementitious ratio specified in the approved mix design is not exceeded, and approved by the Engineer.

501-4.7 LIMITATIONS ON MIXING AND PLACING. No concrete shall be mixed, placed, or finished when the natural light is insufficient, unless an adequate and approved artificial lighting system is operated.

a. Cold Weather. Unless authorized in writing by the Engineer, mixing and concreting operations shall be discontinued when a descending air temperature in the shade and away from artificial heat reaches 40 degrees F (4

degrees C) and shall not be resumed until an ascending air temperature in the shade and away from artificial heat reaches 35 degrees F (2 degrees C).

The aggregate shall be free of ice, snow, and frozen lumps before entering the mixer. The temperature of the mixed concrete shall not be less than 50 degrees F (10 degrees C) at the time of placement. Concrete shall not be placed on frozen material nor shall frozen aggregates be used in the concrete.

When concreting is authorized during cold weather, water and/or the aggregates may be heated to not more than 150 degrees F (66 degrees C). The apparatus used shall heat the mass uniformly and shall be arranged to preclude the possible occurrence of overheated areas which might be detrimental to the materials.

Information regarding cold weather concreting practices may be found in ACI 306R, Cold Weather Concreting.

b. Hot Weather. During periods of hot weather when the maximum daily air temperature exceeds 85 degrees F (30 degrees C), the following precautions shall be taken.

The forms and/or the underlying surface shall be sprinkled with water immediately before placing the concrete. The concrete shall be placed at the coolest temperature practicable, and in no case shall the temperature of the concrete when placed exceed 90 degrees F (35 degrees C). The aggregates and/or mixing water shall be cooled as necessary to maintain the concrete temperature at or not more than the specified maximum.

The finished surfaces of the newly laid pavement shall be kept damp by applying a water-fog or mist with approved spraying equipment until the pavement is covered by the curing medium. If necessary, wind screens shall be provided to protect the concrete from an evaporation rate in excess of 0.2 psf per hour as determined in accordance with Figure 2.1.5 in ACI 305R, Hot Weather Concreting, which takes into consideration relative humidity, wind velocity, and air temperature.

When conditions are such that problems with plastic cracking can be expected, and particularly if any plastic cracking begins to occur, the Contractor shall immediately take such additional measures as necessary to protect the concrete surface. Such measures shall consist of wind screens, more effective fog sprays, and similar measures commencing immediately behind the paver. If these measures are not effective in preventing plastic cracking, paving operations shall be immediately stopped.

c. Temperature Management Program. Prior to the start of paving operation for each day of paving, the contractor shall provide the engineer with a Temperature Management Program for the concrete to be placed to assure that uncontrolled cracking is avoided. As a minimum the program shall address the following items:

- (1) Anticipated tensile strains in the fresh concrete as related to heating and cooling of the concrete material.
- (2) Anticipated weather conditions such as ambient temperatures, wind velocity, and relative humidity.
- (3) Anticipated timing of initial sawing of joint.

501-4.8 PLACING CONCRETE. The Contractor has the option of placing the concrete with either side (fixed) forms or slip-forms. At any point in concrete conveyance, the free vertical drop of the concrete from one point to another or to the underlying surface shall not exceed 3 feet (1 m). Backhoes and Grading equipment shall not be used to distribute the concrete in front of the paver. Front end loaders will not be used unless the contractor

demonstrates that they can be used without contaminating the concrete and base course and it is approved by the Engineer.

Hauling equipment or other mechanical equipment can be permitted on adjoining previously constructed pavement when the concrete strength reaches [a flexural strength of 550 psi (3 792 kPa)] [a compressive strength of 3,500 psi], based on the average of four field cured specimens per 2,000 cubic yards (1 530 cubic meters) of concrete placed. Also, subgrade and subbase planers, concrete pavers, and concrete finishing equipment may be permitted to ride upon the edges of previously constructed pavement when the concrete has attained a minimum flexural strength of 400 psi.

The Engineer shall choose based on mix design requirement. The Engineer may specify either side form or slip-form method of paving or allow the Contractor the option as indicated.

a. Slip-Form Construction. The concrete shall be distributed uniformly into final position by a self propelled slip-form paver without delay. The alignment and elevation of the paver shall be regulated from outside reference lines established for this purpose. The paver shall vibrate the concrete for the full width and depth of the strip of pavement being placed and the vibration shall be adequate to provide a consistency of concrete that will stand normal to the surface with sharp well defined edges. The sliding forms shall be rigidly held together laterally to prevent spreading of the forms.

The plastic concrete shall be effectively consolidated by internal vibration with transverse vibrating units for the full width of the pavement and/or a series of equally placed longitudinal vibrating units. The space from the outer edge of the pavement to longitudinal unit shall not exceed 9 inches. The spacing of internal units shall be uniform and shall not exceed 18 inches.

The term internal vibration means vibrating units located within the specified thickness of pavement section.

The rate of vibration of each vibrating unit shall be within 8000 to 12000 cycles per minute and the amplitude of vibration shall be sufficient to be perceptible on the surface of the concrete along the entire length of the vibrating unit an for a distance of at least one foot. The frequency of vibration or amplitude shall vary proportionately with the rate of travel to result in a uniform density and air content. The paving machine shall be equipped with a tachometer or other suitable device for measuring and indicating the actual frequency of vibrations.

The concrete shall be held at a uniform consistency. The slip-form paver shall be operated with as nearly a continuous forward movement as possible. And all operations of mixing, delivering, and spreading concrete shall be coordinated to provide uniform progress with stopping and starting of the paver held to a minimum. If for any reason, it is necessary to stop the forward movement of the paver, the vibratory and tamping elements shall also be stopped immediately. No tractive force shall be applied to the machine, except that which is controlled from the machine.

When concrete is being placed adjacent to an existing pavement, that part of the equipment which is supported on the existing pavement shall be equipped with protective pads on crawler tracks or rubber-tired wheels on which the bearing surface is offset to run a sufficient distance from the edge of the pavement to avoid breaking the pavement edge.

b. Side-Form Construction. Side form sections shall be straight, free from warps, bends, indentations, or other defects. Defective forms shall be removed from the work. Metal side forms shall be used except at end closures and transverse construction joints where straight forms of other suitable material may be used.

Side forms may be built up by rigidly attaching a section to either top or bottom of forms. If such build-up is attached to the top of metal forms, the build-up shall also be metal.

Width of the base of all forms shall be equal to at least 80 percent of the specified pavement thickness.

Side forms shall be of sufficient rigidity, both in the form and in the interlocking connection with adjoining forms, that springing will not occur under the weight of subgrading and paving equipment or from the pressure of the concrete. The Contractor shall provide sufficient forms so that there will be no delay in placing concrete due to lack of forms.

Before placing side forms, the underlying material shall be at the proper grade. Side forms shall have full bearing upon the foundation throughout their length and width of base and shall be placed to the required grade and alignment of the finished pavement. They shall be firmly supported during the entire operation of placing, compacting, and finishing the pavement.

Forms shall be drilled in advance of being placed to line and grade to accommodate tie bars where these are specified.

Immediately in advance of placing concrete and after all subbase operations are completed, side forms shall be trued and maintained to the required line and grade for a distance sufficient to prevent delay in placing.

Side forms shall remain in place at least 12 hours after the concrete has been placed, and in all cases until the edge of the pavement no longer requires the protection of the forms. Curing compound shall be applied to the concrete immediately after the forms have been removed.

Side forms shall be thoroughly cleaned and oiled each time they are used and before concrete is placed against them.

Concrete shall be spread, screeded, shaped and consolidated by one or more self-propelled machines. These machines shall uniformly distribute and consolidate concrete without segregation so that the completed pavement will conform to the required cross section with a minimum of handwork.

The number and capacity of machines furnished shall be adequate to perform the work required at a rate equal to that of concrete delivery.

Concrete for the full paving width shall be effectively consolidated by internal vibrators without causing segregation. Internal type vibrators' rate of vibration shall be not less than 7,000 cycles per minute. Amplitude of vibration shall be sufficient to be perceptible on the surface of the concrete more than one foot from the vibrating element. The Contractor shall furnish a tachometer or other suitable device for measuring and indicating frequency of vibration.

Power to vibrators shall be connected so that vibration ceases when forward or backward motion of the machine is stopped.

The provisions relating to the frequency and amplitude of internal vibration shall be considered the minimum requirements and are intended to ensure adequate density in the hardened concrete.

c. Consolidation Testing. The provisions relating to the frequency and amplitude of internal vibration shall be considered the minimum requirements and are intended to ensure adequate density in the hardened concrete. If a lack of consolidation of the concrete is suspected by the Engineer, additional referee testing may be required. Referee testing of hardened concrete will be performed by cutting cores from the finished pavement after a minimum of 24 hours curing. Density determinations will be made based on the water content of the core as taken. ASTM C 642 shall be used for the determination of core density in the saturated-surface dry condition. Referee cores will be taken at the minimum rate of one for each 500 cubic yards of pavement, or fraction thereof.

The average density of the cores shall be at least 97 percent of the original mix design density, with no cores having a density of less than 96 percent of the original mix design density.

Failure to meet the above requirements will be considered as evidence that the minimum requirements for vibration are inadequate for the job conditions, and additional vibrating units or other means of increasing the effect of vibration shall be employed so that the density of the hardened concrete as indicated by further referee testing shall conform to the above listed requirements.

501-4.9 STRIKE-OFF OF CONCRETE AND PLACEMENT OF REINFORCEMENT. Following the placing of the concrete, it shall be struck off to conform to the cross section shown on the plans and to an elevation such that when the concrete is properly consolidated and finished, the surface of the pavement shall be at the elevation shown on the plans. When reinforced concrete pavement is placed in two layers, the bottom layer shall be struck off to such length and depth that the sheet of reinforcing steel fabric or bar mat may be laid full length on the concrete in its final position without further manipulation. The reinforcement shall then be placed directly upon the concrete, after which the top layer of the concrete shall be placed, struck off, and screeded. If any portion of the bottom layer of concrete has been placed more than 30 minutes without being covered with the top layer or if initial set has taken place, it shall be removed and replaced with freshly mixed concrete at the Contractor's expense. When reinforced concrete is placed in one layer, the reinforcement may be positioned in advance of concrete placement or it may be placed in plastic concrete by mechanical or vibratory means after spreading.

Reinforcing steel, at the time concrete is placed, shall be free of mud, oil, or other organic matter that may adversely affect or reduce bond. Reinforcing steel with rust, mill scale or a combination of both will be considered satisfactory, provided the minimum dimensions, weight, and tensile properties of a hand wire-brushed test specimen are not less than the applicable ASTM specification requirements.

501-4.10 JOINTS. Joints shall be constructed as shown on the plans and in accordance with these requirements. All joints shall be constructed with their faces perpendicular to the surface of the pavement and finished or edged as shown on the plans. Joints shall not vary more than 1/2 inch (13 mm) from their designated position and shall be true to line with not more than 1/4-inch (6 mm) variation in 10 feet (3 m). The surface across the joints shall be tested with a 10-foot (3 m) straightedge as the joints are finished and any irregularities in excess of 1/4 inch (6 mm) shall be corrected before the concrete has hardened. All joints shall be so prepared, finished, or cut to provide a groove of uniform width and depth as shown on the plans.

a. Construction. Longitudinal construction joints shall be slip-formed or formed against side forms with or without keyways, as shown in the plans.

Transverse construction joints shall be installed at the end of each day's placing operations and at any other points within a paving lane when concrete placement is interrupted for more than 30 minutes or it appears that the concrete will obtain its initial set before fresh concrete arrives. The installation of the joint shall be located at a planned contraction or expansion joint. If placing of the concrete is stopped, the Contractor shall remove the excess concrete back to the previous planned joint.

b. Contraction. Contraction joints shall be installed at the locations and spacing as shown on the plans. Contraction joints shall be installed to the dimensions required by forming a groove or cleft in the top of the slab while the concrete is still plastic or by sawing a groove into the concrete surface after the concrete has hardened. When the groove is formed in plastic concrete the sides of the grooves shall be finished even and smooth with an edging tool. If an insert material is used, the installation and edge finish shall be according to the manufacturer's instructions. The groove shall be finished or cut clean so that spalling will be avoided at intersections with other joints. Grooving or sawing shall produce a slot at least 1/8 inch (3 mm) wide and to the depth shown on the plans.

c. Expansion. Expansion joints shall be installed as shown on the plans. The premolded filler of the thickness as shown on the plans, shall extend for the full depth and width of the slab at the joint, except for space for sealant at the top of the slab. The filler shall be securely staked or fastened into position perpendicular to the proposed finished surface. A cap shall be provided to protect the top edge of the filler and to permit the concrete to be placed and finished. After the concrete has been placed and struck off, the cap shall be carefully withdrawn leaving the space over the premolded filler. The edges of the joint shall be finished and tooled while the concrete is still plastic. Any concrete bridging the joint space shall be removed for the full width and depth of the joint.

An expansion joint is primarily used as an isolation joint to separate structures with different foundations and pavements with different joint patterns. It does not provide for expansion by the material compressing, but rather allowing the joint to slip. There should rarely be an occasion to dowel an expansion joint since it defeats the purpose of the joint and does not permit isolation and slippage. A thickened-edge is the preferred load transfer method for expansion joints.

d. Keyways. Keyways (only female keys permitted) shall be formed in the plastic concrete by means of side forms or the use of keyway liners that are inserted during the slip-form operations. The keyway shall be formed to a tolerance of 1/4 inch (6 mm) in any dimension and shall be of sufficient stiffness to support the upper keyway flange without distortion or slumping of the top of the flange. The dimensions of the keyway forms shall not vary more than plus or minus 1/4 inch (6 mm) from the mid-depth of the pavement. Liners that remain in place permanently and become part of the keyed joint shall be made of galvanized, copper clad, or of similar rust-resistant material compatible with plastic and hardened concrete and shall not interfere with joint reservoir sawing and sealing.

The Engineer should refer to Advisory Circular 150/5320-6 for guidance on the use of keyways.

e. Tie bars. Tie bars shall consist of deformed bars installed in joints as shown on the plans. Tie bars shall be placed at right angles to the centerline of the concrete slab and shall be spaced at intervals shown on the plans. They shall be held in position parallel to the pavement surface and in the middle of the slab depth. When tie bars extend into an unpaved lane, they may be bent against the form at longitudinal construction joints, unless threaded bolt or other assembled tie bars are specified. These bars shall not be painted, greased, or enclosed in sleeves. When slip-form operations call for tie bars, two-piece hook bolts can be installed in the female side of the keyed joint provided the installation is made without distorting the keyed dimensions or causing edge slump. If a bent tie bar installation is used, the tie bars shall be inserted through the keyway liner only on the female side of the joint. In no case shall a bent tie bar installation for male keyways be permitted.

f. Dowel bars. Dowel bars or other load-transfer units of an approved type shall be placed across joints in the manner as shown on the plans. They shall be of the dimensions and spacings as shown and held rigidly in the middle of the slab depth in the proper horizontal and vertical alignment by an approved assembly device to be left permanently in place. The dowel or load-transfer and joint devices shall be rigid enough to permit complete assembly as a unit ready to be lifted and placed into position. A metal, or other type, dowel expansion cap or sleeve shall be furnished for each dowel bar used with expansion joints. These caps shall be substantial enough to prevent collapse and shall be placed on the ends of the dowels as shown on the plans. The caps or sleeves shall fit the dowel bar tightly and the closed end shall be watertight. The portion of each dowel painted with rust preventative paint, as required under paragraph 501-2.7 and shown on the plans to receive a debonding lubricant, shall be thoroughly coated with asphalt MC-70, or an approved lubricant, to prevent the concrete from bonding to that portion of the dowel. If free-sliding plastic-coated or epoxy-coated steel dowels are used, a lubrication bond breaker shall be used except when approved pullout tests indicate it is not necessary. Where butt-type joints with dowels are designated, the exposed end of the dowel shall be oiled.

Dowel bars at contraction joints may be placed in the full thickness of pavement by a mechanical device approved by the Engineer. The device shall be capable of installing dowel bars within the maximum permissible alignment tolerances. Dowels bars at longitudinal construction joints shall be bonded in drilled holes.

g. Installation. All devices used for the installation of expansion joints shall be approved by the Engineer.

The top of an assembled joint device shall be set at the proper distance below the pavement surface and the elevation shall be checked. Such devices shall be set to the required position and line and shall be securely held in place by stakes or other means to the maximum permissible tolerances during the pouring and finishing of the concrete. The premolded joint material shall be placed and held in a vertical position; if constructed in sections, there shall be no offsets between adjacent units.

Dowel bars and assemblies shall be checked for position and alignment. The maximum permissible tolerances on dowel bar alignment shall be in accordance with paragraph 501-5.2e(6). During the concrete placement operation, it is advisable to place plastic concrete directly on dowel assemblies immediately prior to passage of the paver to help maintain dowel position and alignment within maximum permissible tolerances.

When concrete is placed using slip-form pavers, dowels and tie bars shall be placed in longitudinal construction joints by bonding the dowels or tie bars into holes drilled into the hardened concrete. Holes approximately 1/8-inch to 1/4-inch (3 to 6 mm) greater in diameter than the dowel or tie bar shall be drilled with rotary-type core drills that must be held securely in place to drill perpendicularly into the vertical face of the pavement slab. Rotary-type percussion drills may be used provided that spalling of concrete does not occur. Any damage of the concrete shall be repaired by the Contractor in a method approved by the Engineer. Dowels or tie bars shall be bonded in the drilled holes using an epoxy resin material. Installation procedures shall be adequate to insure that the area around dowels is completely filled with epoxy grout. Epoxy shall be injected into the back of the hole and displaced by the insertion of the dowel bar. Bars shall be completely inserted into the hole and shall not be withdrawn and reinserted creating air pockets in the epoxy around the bar. The Contractor shall furnish a template for checking the position and alignment of the dowels. Dowel bars shall not be less than 10 inches (25 cm) from a transverse joint and shall not interfere with dowels in the transverse direction.

h. Sawing of Joints. Joints shall be cut as shown on the plans. Equipment shall be as described in paragraph 501-4.1. The circular cutter shall be capable of cutting a groove in a straight line and shall produce a slot at least 1/8 inch (3 mm) wide and to the depth shown on the plans. The top portion of the slot shall be widened by sawing to provide adequate space for joint sealers as shown on the plans. Sawing shall commence as soon as the concrete has hardened sufficiently to permit cutting without chipping, spalling, or tearing and before uncontrolled shrinkage cracking of the pavement occurs. Sawing shall be carried on both during the day and night as required. The joints shall be sawed at the required spacing, consecutively in sequence of the concrete placement. Curing compound, if being used as the cure type, shall be reapplied in the initial sawcut and maintained for the remaining cure period. Curing compound shall not be applied, and used as the cure method, to any final concrete face that is to receive a sealant. All slurry and debris produced in the sawing of joints shall be removed by vacuuming and washing.

501-4.11 FINAL STRIKE-OFF, CONSOLIDATION, AND FINISHING.

a. Sequence. The sequence of operations shall be the strike-off, floating and removal of laitance, straightedging, and final surface finish. The addition of superficial water to the surface of the concrete to assist in finishing operations will not be permitted.

b. Finishing at Joints. The concrete adjacent to joints shall be compacted or firmly placed without voids or segregation against the joint material; it shall be firmly placed without voids or segregation under and around all load-transfer devices, joint assembly units, and other features designed to extend into the pavement. Concrete adjacent to joints shall be mechanically vibrated as required in paragraph 501-4.8.a. After the concrete has been placed and vibrated adjacent to the joints, the finishing machine shall be operated in a manner to avoid damage or misalignment of joints. If uninterrupted operations of the finishing machine, to, over, and beyond the joints, cause segregation of concrete, damage to, or misalignment of the joints, the finishing machine shall be stopped when the screed is approximately 8 inches (20 cm) from the joint. Segregated concrete shall be removed from the front of and off the joint; and the forward motion of the finishing machine shall be resumed. Thereafter, the finishing machine may be run over the joint without lifting the screed, provided there is no segregated concrete immediately between the joint and the screed or on top of the joint.

c. Machine Finishing. The concrete shall be spread as soon as it is placed, and it shall be struck off and screeded by a finishing machine. The machine shall go over each area as many times and at such intervals as necessary to give to proper consolidation and to leave a surface of uniform texture. Excessive operation over a

given area shall be avoided. When side forms are used, the tops of the forms shall be kept clean by an effective device attached to the machine, and the travel of the machine on the forms shall be maintained true without lift, wobbling, or other variation tending to affect the precision finish. During the first pass of the finishing machine, a uniform ridge of concrete shall be maintained ahead of the front screed for its entire length. When in operation, the screed shall be moved forward with a combined longitudinal and transverse shearing motion, always moving in the direction in which the work is progressing, and so manipulated that neither end is raised from the side forms during the striking-off process. If necessary, this shall be repeated until the surface is of uniform texture, true to grade and cross section, and free from porous areas.

d. Hand Finishing. Hand finishing methods will not be permitted, except under the following conditions: in the event of breakdown of the mechanical equipment, hand methods may be used to finish the concrete already deposited on the grade; in areas of narrow widths or of irregular dimensions where operation of the mechanical equipment is impractical. Concrete, as soon as placed, shall be struck off and screeded. An approved portable screed shall be used. A second screed shall be provided for striking off the bottom layer of concrete when reinforcement is used.

The screed for the surface shall be at least 2 feet (0.6 m) longer than the maximum width of the slab to be struck off. It shall be of approved design, sufficiently rigid to retain its shape, and shall be constructed either of metal or of other suitable material covered with metal. Consolidation shall be attained by the use of suitable vibrators.

e. Floating. After the concrete has been struck off and consolidated, it shall be further smoothed and trued by means of a longitudinal float using one of the following methods:

(1) Hand Method. Long-handled floats shall not be less than 12 feet (3.6 m) in length and 6 inches (15 cm) in width, stiffened to prevent flexibility and warping. The float shall be operated from foot bridges spanning but not touching the concrete or from the edge of the pavement. Floating shall pass gradually from one side of the pavement to the other. Forward movement along the centerline of the pavement shall be in successive advances of not more than one-half the length of the float. Any excess water or laitance in excess of 1/8-inch (3 mm) thick shall be removed and wasted.

(2) Mechanical method. The Contractor may use a machine composed of a cutting and smoothing float(s), suspended from and guided by a rigid frame and constantly in contact with, the side forms or underlying surface. If necessary, long-handled floats having blades not less than 5 feet (1.5 m) in length and 6 inches (15 cm) in width may be used to smooth and fill in open-textured areas in the pavement. When the crown of the pavement will not permit the use of the mechanical float, the surface shall be floated transversely by means of a long-handled float. Care shall be taken not to work the crown out of the pavement during the operation. After floating, any excess water and laitance in excess of 1/8-inch (3 mm) thick shall be removed and wasted. Successive drags shall be lapped one-half the length of the blade.

f. Straight-edge Testing and Surface Correction. After the pavement has been struck off and while the concrete is still plastic, it shall be tested for trueness with a Contractor furnished 16-foot (5 m) straightedge swung from handles 3 feet (1 m) longer than one-half the width of the slab. The straightedge shall be held in contact with the surface in successive positions parallel to the centerline and the whole area gone over from one side of the slab to the other, as necessary. Advancing shall be in successive stages of not more than one-half the length of the straightedge. Any excess water and laitance in excess of 1/8-inch (3 mm) thick shall be removed from the surface of the pavement and wasted. Any depressions shall be immediately filled with freshly mixed concrete, struck off, consolidated, and refinished. High areas shall be cut down and refinished. Special attention shall be given to assure that the surface across joints meets the smoothness requirements of paragraph 501-5.2e(3). Straightedge testing and surface corrections shall continue until the entire surface is found to be free from observable departures from the straightedge and until the slab conforms to the required grade and cross section. The use of long-handled wood floats shall be confined to a minimum; they may be used only in emergencies and in areas not accessible to finishing equipment.

501-4.12 SURFACE TEXTURE. The surface of the pavement shall be finished with either a brush or broom, burlap drag, or artificial turf finish for all newly constructed concrete pavements. It is important that the texturing

equipment not tear or unduly roughen the pavement surface during the operation. Any imperfections resulting from the texturing operation shall be corrected to the satisfaction of the Engineer.

a. Brush or Broom Finish. If the pavement surface texture is to be a type of brush or broom finish, it shall be applied when the water sheen has practically disappeared. The equipment shall operate transversely across the pavement surface, providing corrugations that are uniform in appearance and approximately 1/16 of an inch (2 mm) in depth.

b. Burlap Drag Finish. If a burlap drag is used to texture the pavement surface, it shall be at least 15 ounces per square yard (555 grams per square meter). To obtain a textured surface, the transverse threads of the burlap shall be removed approximately 1 foot (0.3 m) from the trailing edge. A heavy buildup of grout on the burlap threads produces the desired wide sweeping longitudinal striations on the pavement surface. The corrugations shall be uniform in appearance and approximately 1/16 of an inch (2 mm) in depth.

c. Artificial Turf Finish. If artificial turf is used to texture the surface, it shall be applied by dragging the surface of the pavement in the direction of concrete placement with an approved full-width drag made with artificial turf. The leading transverse edge of the artificial turf drag will be securely fastened to a lightweight pole on a traveling bridge. At least 2 feet of the artificial turf shall be in contact with the concrete surface during dragging operations. A variety of different types of artificial turf are available and approval of any one type will be done only after it has been demonstrated by the Contractor to provide a satisfactory texture. One type that has provided satisfactory texture consists of 7,200 approximately 0.85-inches-long polyethylene turf blades per square foot. The corrugations shall be uniform in appearance and approximately 1/16 of an inch (2 mm) in depth.

The Engineer may specify a particular type of finish or allow the Contractor the option.

501-4.13 SKID-RESISTANT SURFACES. A skid-resistant surface shall be provided by construction of [].

When a skid-resistant surface is required in the design, the Engineer shall specify either saw-cut grooves, plastic grooves, or wire combing for runway pavements served by commercial turbo-jet aircraft and include one of the following paragraphs in the specifications. In all cases, a surface texture shall be provided in the plastic concrete prior to construction of the skid-resistant surface. Wirecombing provides skid-resistance but does not prevent hydroplaning.

When saw-cut grooves are specified proper collection and disposal of the grooving waste should be specified. If disposal of the waste material is allowed on the infield grassy areas, build-up of the waste in a single location should be avoided. Wording should be provided in this paragraph to assure that the waste material is properly disposed or distributed.

SAW-CUT GROOVES. For new concrete pavements that have hardened, transverse grooves shall be saw-cut in the pavement forming a 1/4 inch (6 mm) wide by 1/4 inch (6 mm) deep by 1-1/2 inches (37 mm) center to center configuration. The grooves shall be continuous for the entire runway length. They shall be saw-cut transversely in the runway pavement to within 10 feet (3 m) of the runway pavement edge to allow adequate space for equipment operation. The maximum transverse saw-cut grooves shall not exceed 130 feet (40 m). The tolerances for the saw-cut grooves shall meet the following:

Alignment tolerance.

Plus or minus 1-1/2 inches (38 mm) in alignment for 75 feet (23 m).

Groove tolerance.

Minimum depth 3/16 inch (5 mm), except that not more than 60 percent of the grooves shall be less than 1/4 inch (6 mm).

Maximum depth 5/16 inch (8 mm).

Minimum width 1/4 inch (6 mm).

Maximum width 5/16 inch (8 mm).

Center-to-center spacing

Minimum spacing 1-3/8 inches (35 mm)

Maximum spacing 1-1/2 inches (38 mm).

Saw-cut grooves shall not be closer than 3 inches (76 mm) or more than 9 inches (229 mm) to transverse paving joints. Grooves shall not be closer than 6 inches (152 mm) and no more than 18 inches (457 mm) from in-pavement light fixtures. Grooves may be continued through longitudinal joints. Where neoprene compression seals have been installed grooves, shall not be closer than 3 inches (76 mm) or more than 5 inches (127 mm) from the longitudinal joints. Cleanup of waste material shall be continuous during the grooving operation. Waste material shall be disposed of in an approved manner. Waste material shall not be allowed to enter the airport storm or sanitary sewer system.

PLASTIC GROOVES. The grooves formed in the plastic concrete shall be 1/4 inch (6 mm) by 1/4 inch (6 mm) by 1-1/2 inches (38 mm). The grooves shall be continuous for the entire runway length and width. The tolerances for the grooves formed in plastic concrete shall meet the following:

Alignment tolerance.

Plus or minus 3 inches (76 mm) in alignment for 75 feet (23 m).

Groove tolerance.

Minimum depth 1/8 inch (3 mm)

Maximum depth 3/8 inch (10 mm).

Minimum width 1/8 inch (3 mm).

Maximum width 3/8 inch (10 mm).

Center-to-center spacing.

Minimum spacing 1-1/4 inches (32 mm).

Maximum spacing 2 inches (51 mm).

WIRE COMBING. The wire combing technique shall use steel combs or tines of various dimensions to form groove-like texture in the plastic concrete pavement and shall provide

grooves that are approximately 1/8 inch (3 mm) by 1/8 inch (3 mm) spaced 1/2 inch (13 mm) center-to center. The wire combing shall be constructed over the full pavement width. The equipment shall operate transversely across the pavement surface, perpendicular to the pavement centerline.

501-4.14 CURING. Immediately after finishing operations are completed and marring of the concrete will not occur, the entire surface of the newly placed concrete shall be cured for a 7-day cure period in accordance with one of the methods below. Failure to provide sufficient cover material of whatever kind the Contractor may elect to use, or lack of water to adequately take care of both curing and other requirements, shall be cause for immediate suspension of concreting operations. The concrete shall not be left exposed for more than 1/2 hour during the curing period.

When a two-sawcut method is used to construct the contraction joint, the curing compound shall be applied to the sawcut immediately after the initial cut has been made. The sealant reservoir shall not be sawed until after the curing period has been completed. When the one cut method is used to construct the contraction joint, the joint shall be cured with wet rope, wet rags, or wet blankets. The rags, ropes, or blankets shall be kept moist for the duration of the curing period.

The Engineer shall delete cure types that may not be feasible around aircraft jet blast in operating areas.

The use of supplementary cementitious materials (e.g. flyash, slag cement) or set-retarding admixtures may delay the occurrence of bleed water. Curing should be applied after bleed water is gone from the surface.

a. Impervious Membrane Method. The entire surface of the pavement shall be sprayed uniformly with white pigmented curing compound immediately after the finishing of the surface and before the set of the concrete has taken place. The curing compound shall not be applied during rainfall. Curing compound shall be applied by mechanical sprayers under pressure at the rate of 1 gallon (4 liters) to not more than 150 square feet (14 square meters). The spraying equipment shall be of the fully atomizing type equipped with a tank agitator. At the time of use, the compound shall be in a thoroughly mixed condition with the pigment uniformly dispersed throughout the vehicle. During application the compound shall be stirred continuously by mechanical means. Hand spraying of odd widths or shapes and concrete surfaces exposed by the removal of forms will be permitted. When hand spraying is approved by the Engineer, a double application rate shall be used to insure coverage. The curing compound shall be of such character that the film will harden within 30 minutes after application. Should the film become damaged from any cause, including sawing operations, within the required curing period, the damaged portions shall be repaired immediately with additional compound or other approved means. Upon removal of side forms, the sides of the exposed slabs shall be protected immediately to provide a curing treatment equal to that provided for the surface.

b. Polyethylene Films. The top surface and sides of the pavement shall be entirely covered with polyethylene sheeting. The units shall be lapped at least 18 inches (457 mm). The sheeting shall be placed and weighted to cause it to remain in contact with the surface and sides. The sheeting shall have dimensions that will extend at least twice the thickness of the pavement beyond the edges of the pavement. Unless otherwise specified, the sheeting shall be maintained in place for 7 days after the concrete has been placed.

c. Waterproof Paper. The top surface and sides of the pavement shall be entirely covered with waterproofed paper. The units shall be lapped at least 18 inches (457 mm). The paper shall be placed and weighted to cause it to remain in contact with the surface covered. The paper shall have dimensions that will extend at least twice the thickness of the pavement beyond the edges of the slab. The surface of the pavement shall be thoroughly saturated

prior to placing of the paper. Unless otherwise specified, the paper shall be maintained in place for 7 days after the concrete has been placed.

d. White Burlap-Polyethylene Sheets. The surface of the pavement shall be entirely covered with the sheeting. The sheeting used shall be such length (or width) that it will extend at least twice the thickness of the pavement beyond the edges of the slab. The sheeting shall be placed so that the entire surface and both edges of the slab are completely covered. The sheeting shall be placed and weighted to remain in contact with the surface covered, and the covering shall be maintained fully saturated and in position for 7 days after the concrete has been placed.

(1) Curing in Cold Weather. The concrete shall be maintained at a temperature of at least 50 degrees F (10 degrees C) for a period of 72 hours after placing and at a temperature above freezing for the remainder of the curing time. The Contractor shall be responsible for the quality and strength of the concrete placed during cold weather, and any concrete injured by frost action shall be removed and replaced at the Contractor's expense.

e. Water Method. The entire area shall be covered with burlap or other water absorbing material. The material shall be of sufficient thickness to retain water for adequate curing without excessive runoff. The material shall be kept wet at all times and maintained for 7 days. When the forms are stripped, the vertical walls shall also be kept moist. It shall be the responsibility of the Contractor to prevent ponding of the curing water on the subbase."

501-4.15 REMOVING FORMS. Unless otherwise specified, forms shall not be removed from freshly placed concrete until it has hardened sufficiently to permit removal without chipping, spalling, or tearing. After the forms have been removed, the sides of the slab shall be cured as outlined in one of the methods indicated in paragraph 501-4.14. Major honeycombed areas shall be considered as defective work and shall be removed and replaced in accordance with paragraph 501-5.2(f).

501-4.16 SEALING JOINTS. The joints in the pavement shall be sealed in accordance with Item [P-605].

The Engineer should only include the applicable specifications.

501-4.17 PROTECTION OF PAVEMENT. The Contractor shall protect the pavement and its appurtenances against both public traffic and traffic caused by the Contractor's employees and agents. This shall include watchmen to direct traffic and the erection and maintenance of warning signs, lights, pavement bridges, crossovers, and protection of unsealed joints from intrusion of foreign material, etc. Any damage to the pavement occurring prior to final acceptance shall be repaired or the pavement replaced at the Contractor's expense. The Contractor shall have available at all times, materials for the protection of the edges and surface of the unhardened concrete. Such protective materials shall consist of rolled polyethylene sheeting at least 4 mils (0.1 mm) thick of sufficient length and width to cover the plastic concrete slab and any edges. The sheeting may be mounted on either the paver or a separate movable bridge from which it can be unrolled without dragging over the plastic concrete surface. When rain appears imminent, all paving operations shall stop and all available personnel shall begin covering the surface of the unhardened concrete with the protective covering.

501-4.18 OPENING TO TRAFFIC. The pavement shall not be opened to traffic until test specimens molded and cured in accordance with ASTM C 31 have attained a flexural strength of 550 pounds per square inch (3,792 kPa) when tested in accordance with ASTM C 78. If such tests are not conducted, the pavement shall not be opened to traffic until 14 days after the concrete was placed. Prior to opening the pavement to construction traffic, all joints shall either be sealed or protected from damage to the joint edge and intrusion of foreign materials into the joint. As a minimum, backer rod or tape may be used to protect the joints from foreign matter intrusion. The pavement shall be cleaned before opening for normal operations.

When the design strength in paragraph 501-3.1 is based on compressive strength, a strength of 3500 psi (24 130 kPa) shall be specified. Testing shall be in accordance with ASTM C 39.

501-4.19 REPAIR, REMOVAL, REPLACEMENT OF SLABS.

a. General. New pavement slabs that are broken or contain cracks shall be removed and replaced or repaired, as specified hereinafter at no cost to the owner. Spalls along joints shall be repaired as specified. Removal of partial slabs is not permitted. Removal and replacement shall be full depth, shall be full width of the slab, and the limit of removal shall be normal to the paving lane and to each original transverse joint. The engineer will determine whether cracks extend full depth of the pavement and may require cores to be drilled on the crack to determine depth of cracking. Such cores shall be 4-inch (100 mm) diameter, shall be drilled by the Contractor and shall be filled by the Contractor with a well consolidated concrete mixture bonded to the walls of the hole with epoxy resin, using approved procedures. Drilling of cores and refilling holes shall be at no expense to the owner. All epoxy resin used in this work shall conform to ASTM C 881, Type V.

b. Shrinkage Cracks. Shrinkage cracks, which do not exceed 4 inches in depth, shall be cleaned and then pressure injected with epoxy resin, Type IV, Grade 1, using procedures as approved. Care shall be taken to assure that the crack is not widened during epoxy resin injection. All epoxy resin injection shall take place in the presence of the Engineer. Shrinkage cracks, which exceed 4 inches in depth, shall be treated as full depth cracks in accordance with paragraphs 4.19b and 4.19c.

c. Slabs With Cracks through Interior Areas. Interior area is defined as that area more than 6 inches (600 mm) from either adjacent original transverse joint. The full slab shall be removed and replaced at no cost to the owner, when there are any full depth cracks, or cracks greater than 4" in depth, that extend into the interior area.

d. Cracks Close To and Parallel To Joints. All cracks essentially parallel to original joints, extending full depth of the slab, and lying wholly within 6 inches either side of the joint shall be treated as specified hereinafter. Any crack extending more than 6 inches (600 mm) from the joint shall be treated as specified above in subparagraph "Slabs With Cracks Through Interior Area."

(1) Full Depth Cracks Present, Original Joint Not Opened. When the original uncracked joint has not opened, the crack shall be sawed and sealed, and the original joint filled with epoxy resin as specified below. The crack shall be sawed with equipment specially designed to follow random cracks. The reservoir for joint sealant in the crack shall be formed by sawing to a depth of 3/4 inch (19 mm), plus or minus 1/16 inch (1.6 mm), and to a width of 5/8 inch (16 mm), plus or minus 1/8 inch (3.2 mm). Any equipment or procedure which causes raveling or spalling along the crack shall be modified or replaced to prevent such raveling or spalling. The joint sealant shall be a liquid sealant as specified. Installation of joint seal shall be as specified for sealing joints or as directed. If the joint sealant reservoir has been sawed out, the reservoir and as much of the lower saw cut as possible shall be filled with epoxy resin, Type IV, Grade 2, thoroughly tooled into the void using approved procedures. If only the original narrow saw cut has been made, it shall be cleaned and pressure injected with epoxy resin, Type IV, Grade 1, using approved procedures. If filler type material has been used to form a weakened plane in the transverse joint, it shall be completely sawed out and the saw cut pressure injected with epoxy resin, Type IV, Grade 1, using approved procedures. Where a parallel crack goes part way across paving lane and then intersects and follows the original joint which is cracked only for the remained of the width, it shall be treated as specified above for a parallel crack, and the cracked original joint shall be prepared and sealed as originally designed.

(2) Full Depth Cracks Present, Original Joint Also Cracked. At a joint, if there is any place in the lane width where a parallel crack and a cracked portion of the original joint overlap, the entire slab containing the crack shall be removed and replaced for the full lane width and length.

e. Removal and Replacement of Full Slabs. Where it is necessary to remove full slabs, unless there are keys or dowels present, all edges of the slab shall be cut full depth with a concrete saw. All saw cuts shall be

perpendicular to the slab surface. If keys, dowels, or tie bars are present along any edges, these edges shall be sawed full depth 24 inches (150 mm) from the edge if only keys are present, or just beyond the end of the dowels or tie bars if they are present. These joints shall then be carefully sawed on the joint line to within 1 inch (25 mm) of the depth of the dowel or key.

The main slab shall be further divided by sawing full depth, at appropriate locations, and each piece lifted out and removed. Suitable equipment shall be used to provide a truly vertical lift, and approved safe lifting devices used for attachment to the slabs. The narrow strips along keyed or doweled edges shall be carefully broken up and removed using light, hand-held jackhammers, 30 LB (14 kg) or less, or other approved similar equipment.

Care shall be taken to prevent damage to the dowels, tie bars, or keys or to concrete to remain in place. The joint face below keys or dowels shall be suitably trimmed so that there is not abrupt offset in any direction greater than 1/2 inch (12 mm) and no gradual offset greater than 1 inch (25 mm) when tested in a horizontal direction with a 12-foot (3.6 m) straightedge.

No mechanical impact breakers, other than the above hand-held equipment shall be used for any removal of slabs. If underbreak between 1-1/2 and 4 inches (37 and 100 mm) deep occurs at any point along any edge, the area shall be repaired as directed before replacing the removed slab. Procedures directed will be similar to those specified for surface spalls, modified as necessary.

If underbreak over 4 inches (100 mm) deep occurs, the entire slab containing the underbreak shall be removed and replaced. Where there are no dowels, tie bars, or keys on an edge, or where they have been damaged, dowels of the size and spacing as specified for other joints in similar pavement shall be installed by epoxy grouting them into holes drilled into the existing concrete using procedures as specified. Original damaged dowels or tie bars shall be cut off flush with the joint face. Protruding portions of dowels shall be painted and lightly oiled. All 4 edges of the new slab shall thus contain dowels or original keys or original tie bars.

Placement of concrete shall be as specified for original construction. Prior to placement of new concrete, the underlying material (unless it is stabilized) shall be re-compacted and shaped as specified in the appropriate SECTION of these specifications. The surfaces of all four joint faces shall be cleaned of all loose material and contaminants and coated with a double application of membrane forming curing compound as bond breaker. Care shall be taken to prevent any curing compound from contacting dowels or tie bars. The resulting joints around the new slab shall be prepared and sealed as specified for original construction.

f. Repairing Spalls Along Joints. Where directed, spalls along joints of new slabs, and along parallel cracks used as replacement joints, shall be repaired by first making a vertical saw cut at least 1 inch (25 mm) outside the spalled area and to a depth of at least 2 inches (50 mm). Saw cuts shall be straight lines forming rectangular areas. The concrete between the saw cut and the joint, or crack, shall be chipped out to remove all unsound concrete and at least 1/2 inch (12 mm) of visually sound concrete. The cavity thus formed shall be thoroughly cleaned with high-pressure water jets supplemented with compressed air to remove all loose material. Immediately before filling the cavity, a prime coat of epoxy resin, Type III, Grade I, shall be applied to the dry cleaned surface of all sides and bottom of the cavity, except any joint face. The prime coat shall be applied in a thin coating and scrubbed into the surface with a stiff-bristle brush. Pooling of epoxy resin shall be avoided. The cavity shall be filled with low slump Portland cement concrete or mortar or with epoxy resin concrete or mortar. Concrete shall be used for larger spalls, generally those more than 1/2 cu. ft. (0.014 m³) in size, and mortar SHALL BE USED FOR THE SMALLER ONES. ANY SPALL LESS THAN 0.1 CU. FT. (0.003 m³) shall be repaired only with epoxy resin mortar or a Grade III epoxy resin. Portland cement concrete and mortar mixtures shall be proportioned as directed and shall be mixed, placed, consolidated, and cured as directed. Epoxy resin mortars shall be made with Type III, Grade 1, epoxy resin, using proportions and mixing and placing procedures as recommended by the manufacturer and approved by the Engineer. The epoxy resin materials shall be placed in the cavity in layers not over 2 inches (50 mm) thick. The time interval between placement of additional layers shall be such that the temperature of the epoxy resin material does not exceed 140oF (60oC) at any time during hardening. Mechanical vibrators and hand tampers shall be used to consolidate the concrete or mortar. Any repair material on the surrounding surfaces of the existing concrete shall be removed before it hardens. Where the spalled area abuts a joint, an insert or other bond-breaking medium shall be used to prevent bond at the joint face. A reservoir for the joint sealant shall be sawed to the dimensions required for other joints, or as required to be routed for cracks. The reservoir shall be thoroughly

cleaned and sealed with the sealer specified for the joints. If any spall penetrates half the depth of the slab or more, the entire slab shall be removed and replaced as previously specified.

501-4.20 EXISTING CONCRETE PAVEMENT REMOVAL AND REPAIR.

NOTE: It is imperative that sufficient exploration be made (not just reference to as-built drawings) so that the designer knows exactly what the existing (in place) pavement is at the jointing area—dowels, keys, tie bars, etc. and its condition. Normally the joint between the new pavement and existing pavement should be made at an existing joint in the old pavement.

All operations shall be carefully controlled to prevent damage to the concrete pavement and to the underlying material to remain in place. All saw cuts shall be made perpendicular to the slab surface.

a. Removal of Existing Pavement Slab.

NOTE: Edit bracketed items concerning dowels and keys to conform to the design used. The best results will usually be with a design requiring that keys and dowels be sawed off and new dowels installed in drilled holes. The saw cut at a distance from the joint is always more effective if sawed with a wheel saw—which produces a 1-inch (25 mm) kerf and better prevents stress from propagating across the saw cut.

When it is necessary to remove existing concrete pavement and leave adjacent concrete in place, [unless there are dowels or keys present,] the joint between the removal area and adjoining pavement to stay in place, [including dowels, tie bars or keys,] shall first be cut full depth with a standard diamond-type concrete saw. [If keys or dowels are present at this joint, the saw cut shall be made full depth 6 inches (150 mm) from the joint if only keys are present, or just beyond the end of dowels if dowels are present. The edge shall then be carefully sawed on the joint line to within 1 inch (25 mm) of the top of the dowel or key.] Next, a full depth saw cut shall be made parallel to the joint at least 24 inches (600 mm) from the joint and at least 12 inches (300 mm) from the end of any dowels. All pavement between this last saw cut and the joint line shall be carefully broken up and removed using hand-held jackhammers, 30 lb. (14 kg) or less, or the approved light-duty equipment which will not cause stress to propagate across the joint saw cut and cause distress in the pavement which is to remain in place. [Where dowels or keys are present, care shall be taken to produce an even, vertical joint face below the dowels or keys. If the Contractor is unable to produce such a joint face, or if underbreak or other distress occurs, the Contractor shall saw the dowels or keys flush with the joint. The Contractor shall then install new dowels, of the size and spacing used for other similar joints, by epoxy resin bonding them in holes drilled in the joint face as specified in paragraph "Placing dowels and Tie-bars. All this shall be at no additional cost to the Owner.] [Dowels of the size and spacing indicated shall be installed as shown on the drawings by epoxy resin bonding them in holes drilled in the joint face as specified in paragraph "Placing Dowels and Tie Bars".] The joint face shall be sawed or otherwise trimmed so that there is no abrupt offset in any direction greater than 1/2-inch (12 mm) and no gradual offset greater than 1 inch (25 mm) when tested in a horizontal direction with a 12 ft. (3.6 m) straightedge.

b. Edge Repair.

NOTE: Edit bracketed items on payment as appropriate.

The edge of existing concrete pavement against which new pavement abuts shall be protected from damage at all times. Areas that are damaged during construction shall be repaired at not cost to the Owner; repair of previously existing damage areas **[will be paid for as listed in the bid schedule] [will be considered a subsidiary part of concrete pavement construction]**.

(1) Spall Repair. Spalls shall be repaired where indicated and where directed. Repair materials and procedures shall be as previously specified in subparagraph "Repairing Spalls Along Joints."

(2) Underbreak Repair. All underbreak shall be repaired. First, all delaminated and loose material shall be carefully removed. Next, the underlying material shall be recompact, without addition of any new material. Finally, the void shall be completely filled with paving concrete, thoroughly consolidated. Care shall be taken to produce an even joint face from top to bottom. Prior to placing concrete, the underlying material shall be thoroughly moistened. After placement, the exposed surface shall be heavily coated with curing compound.

(3) Underlying Material. The underlying material adjacent to the edge of an under the existing pavement which is to remain in place shall be protected from damage or disturbance during removal operations and until placement of new concrete, and shall be shaped as shown on the drawings or as directed. Sufficient material shall be kept in place outside the joint line to prevent disturbance (or sloughing) of material under the pavement that is to remain in place. Any material under the portion of the concrete pavement to remain in place, which is disturbed or loses its compaction shall be carefully removed and replaced with concrete as specified in paragraph "Underbreak Repair." The underlying material outside the joint line shall be thoroughly compacted and moist when new concrete is placed.

MATERIAL ACCEPTANCE

501-5.1 ACCEPTANCE SAMPLING AND TESTING. All acceptance sampling and testing, with the exception of coring for thickness determination, necessary to determine conformance with the requirements specified in this section will be performed by the Engineer. Concrete shall be accepted for strength and thickness on a lot basis.

The Sponsor (Engineer) shall do the acceptance testing per the standard specifications.

A lot shall consist of:

- [] cubic yards ([] cubic meters).]
- [] square yards ([] square meters).]
- [a day's production not to exceed 2,000 cubic yards (1 530 cubic meters).]
- [a day's production not to exceed [] square yards ([] square meters).]

Testing organizations performing these tests shall meet the requirements of ASTM C 1077, including accreditation. The accreditation will include ASTM C 78. The Contractor shall bear the cost of providing curing facilities for the strength specimens, per paragraph 501-5.1a(3), and coring and filling operations, per paragraph 501-5.1b(1).

The Engineer shall specify the lot size for a project based on the total quantity and the expected production rate. The lot size should not exceed 2,000 cubic yards (1 530 cubic meters). For projects where basis of payment is square yards (square meters), the Engineer shall convert the lot size to an equivalent area that contains 2,000 cubic yards (1 530 cubic meters) or less.

Note: It is recommended that all projects have a testing meeting between the contractor, testing laboratory, and owner's representative to discuss the sampling and testing of the strength specimens. The meeting should include procedures for sampling fabrication, handling and initial and final curing, and testing of the strength specimens.

a. Flexural Strength.

(1) **Sampling.** Each lot shall be divided into four equal sublots. One sample shall be taken for each subplot from the plastic concrete delivered to the job site. Sampling locations shall be determined by the Engineer in accordance with random sampling procedures contained in ASTM D 3665. The concrete shall be sampled in accordance with ASTM C 172.

(2) **Testing.** Two (2) specimens shall be made from each sample. Specimens shall be made in accordance with ASTM C 31 and the flexural strength of each specimen shall be determined in accordance with ASTM C 78. The flexural strength for each subplot shall be computed by averaging the results of the two test specimens representing that subplot.

Immediately prior to testing for flexural strength, the beam shall be weighed and measured for determination of a sample unit weight. Measurements shall be made for each dimension; height, depth, and length, at the mid-point of the specimen and reported to the nearest tenth of an inch. The weight of the specimen shall be reported to the nearest 0.1 pound. The sample unit weight shall be calculated by dividing the sample weight by the calculated volume of the sample. This information shall be reported as companion information to the measured flexural strength for each specimen.

The samples will be transported while in the molds. The curing, except for the initial cure period, will be accomplished using the immersion in saturated lime water method.

Slump, air content, and temperature tests will also be conducted by the quality assurance laboratory for each set of strength test samples, per ASTM C 31.

(3) **Curing.** The Contractor shall provide adequate facilities for the initial curing of beams. During the 24 hours after molding, the temperature immediately adjacent to the specimens must be maintained in the range of 60 to 80 degrees F (16 to 27 degrees C), and loss of moisture from the specimens must be prevented. The specimens may be stored in tightly constructed wooden boxes, damp sand pits, temporary buildings at construction sites, under wet burlap in favorable weather, or in heavyweight closed plastic bags, or using other suitable methods, provided the temperature and moisture loss requirements are met.

(4) **Acceptance.** Acceptance of pavement for flexural strength will be determined by the Engineer in accordance with paragraph 501-5.2b.

Preventing loss of moisture is extremely important since relatively small amounts of surface drying of flexural specimens can induce tensile stresses in the extreme fibers that will markedly reduce the indicated flexural strength.

When the design strength in paragraph 501-3.1 is based on compressive strength, this paragraph should be revised as follows:

a. Compressive Strength.

(1) **Sampling.** Each lot shall be divided into four equal sublots. One sample shall be taken for each subplot from the plastic concrete delivered to the job site. Sampling locations shall be determined by the Engineer in accordance with random sampling procedures contained in ASTM D 3665. The concrete shall be sampled in accordance with ASTM C 172.

(2) **Testing.** Two (2) specimens shall be made from each sample. Specimens shall be made in accordance with ASTM C 31 and the compressive strength of each specimen shall be determined in accordance with ASTM C 39. The compressive strength for each subplot shall be computed by averaging the results of the two test specimens representing that subplot.

(3) **Curing.** The Contractor shall provide adequate facilities for the initial curing of cylinders. During the 24 hours after molding, the temperature immediately adjacent to the specimens must be maintained in the range of 60 to 80 degrees F (16 to 27 degrees C), and loss of moisture from the specimens must be prevented. The specimens may be stored in tightly constructed wooden boxes, damp sand pits, temporary buildings at construction sites, under wet burlap in favorable weather or in heavyweight closed plastic bags, or use other suitable methods, provided the temperature and moisture loss requirements are met.

b. Pavement Thickness.

(1) **Sampling.** Each lot shall be divided into four equal sublots and one core shall be taken by the Contractor for each subplot. Sampling locations shall be determined by the Engineer in accordance with random sampling procedures contained in ASTM D 3665. Areas, such as thickened edges, with planned variable thickness, shall be excluded from sample locations.

Cores shall be neatly cut with a core drill. The Contractor shall furnish all tools, labor, and materials for cutting samples and filling the cored hole. Core holes shall be filled by the Contractor with a non-shrink grout approved by the Engineer within one day after sampling.

(2) **Testing.** The thickness of the cores shall be determined by the Engineer by the average caliper measurement in accordance with ASTM C 174.

(3) **Acceptance.** Acceptance of pavement for thickness shall be determined by the Engineer in accordance with paragraph 501-5.2c.

c. Partial Lots. When operational conditions cause a lot to be terminated before the specified number of tests have been made for the lot, or when the Contractor and Engineer agree in writing to allow overages or minor placements to be considered as partial lots, the following procedure will be used to adjust the lot size and the number of tests for the lot.

Where three sublots have been produced, they shall constitute a lot. Where one or two sublots have been produced, they shall be incorporated into the next lot or the previous lot and the total number of sublots shall be used in the acceptance criteria calculation, i.e., n=5 or n=6.

d. Outliers. All individual flexural strength tests within a lot shall be checked for an outlier (test criterion) in accordance with ASTM E 178, at a significance level of 5 percent. Outliers shall be discarded, and the PWL shall be determined using the remaining test values.

501-5.2 ACCEPTANCE CRITERIA.

a. General. Acceptance will be based on the following characteristics of the completed pavement:

- (1) Flexural strength
- (2) Thickness
- (3) Smoothness
- (4) Grade
- (5) Edge slump
- (6) Dowel bar alignment

Flexural strength and thickness shall be evaluated for acceptance on a lot basis using the method of estimating percentage of material within specification limits (PWL). Acceptance using PWL considers the variability (standard deviation) of the material and the testing procedures, as well as the average (mean) value of the test results to calculate the percentage of material that is above the lower specification tolerance limit (L).

Acceptance for flexural strength will be based on the criteria contained in accordance with paragraph 501-5.2e(1). Acceptance for thickness will be based on the criteria contained in paragraph 501-5.2e(2). Acceptance for smoothness will be based on the criteria contained in paragraph 501-5.2e(3). Acceptance for grade will be based on the criteria contained in paragraph 501-5.2e(4).

The Engineer may at any time, notwithstanding previous plant acceptance, reject and require the Contractor to dispose of any batch of concrete mixture which is rendered unfit for use due to contamination, segregation, or improper slump. Such rejection may be based on only visual inspection. In the event of such rejection, the Contractor may take a representative sample of the rejected material in the presence of the Engineer, and if it can be demonstrated in the laboratory, in the presence of the Engineer, that such material was erroneously rejected, payment will be made for the material at the contract unit price.

b. Flexural Strength. Acceptance of each lot of in-place pavement for flexural strength shall be based on PWL. The Contractor shall target production quality to achieve 90 PWL or higher.

When the design strength in paragraph 501-3.1 is based on compressive strength, substitute compressive strength for flexural strength.

c. Pavement Thickness. Acceptance of each lot of in-place pavement shall be based on PWL. The Contractor shall target production quality to achieve 90 PWL or higher.

d. Percentage of Material Within Limits (PWL). The percentage of material within limits (PWL) shall be determined in accordance with procedures specified in Section 110 of the General Provisions.

The lower specification tolerance limit (L) for flexural strength and thickness shall be:

Lower Specification Tolerance Limit (L)

Flexural Strength	$0.93 \times$ strength specified in paragraph 501-3.1
Thickness	Lot Plan Thickness in inches – 0.50 inches

The lower specification tolerance limits above are based on applying statistical analysis to FAA design assumptions, and there is no need to compensate for the above factor in the design process. When the design strength in paragraph 501-3.1 is based on compressive

strength, substitute compressive strength for flexural strength and insert 4,140 psi as L for strength.

e. Acceptance Criteria.

(1) Flexural Strength. If the PWL of the lot equals or exceeds 90 percent, the lot shall be acceptable. Acceptance and payment for the lot shall be determined in accordance with paragraph 501-8.1.

(2) Thickness. If the PWL of the lot equals or exceeds 90 percent, the lot shall be acceptable. Acceptance and payment for the lot shall be determined in accordance with paragraph 501-8.1.

(3) Smoothness. As soon as the concrete has hardened sufficiently, the pavement surface shall be tested with a 16-foot (5 m) straightedge or other specified device. Surface smoothness deviations shall not exceed 1/4 inch (6 mm) from a 16-foot (5 m) straightedge placed in any direction, including placement along and spanning any pavement joint edge.

Areas in a slab showing high spots of more than 1/4 inch (6 mm) but not exceeding 1/2 inch (13 mm) in 16 feet (5 m) shall be marked and immediately ground down with an approved grinding machine to an elevation that will fall within the tolerance of 1/4 inch (6 mm) or less. Where the departure from correct cross section exceeds 1/2 inch (13 mm), the pavement shall be removed and replaced at the expense of the Contractor when so directed by the Engineer.

Use of the profilograph to measure pavement smoothness is optional and will be approved on a case-by-case basis. Use of a profilometer may not be practical for all construction. However, the profilograph is useful for new construction or overlays designed to correct grade and smoothness deficiencies. If the profilograph is to be included, straightedge requirements need only apply in the transverse direction. To include profilograph requirements delete paragraph (5.2e3) and replace with the following:

(3) SMOOTHNESS. As soon as the concrete has hardened sufficiently, the pavement surface shall be tested in the transverse direction with a 16-foot straightedge or other specified device. Surface smoothness deviations shall not exceed 1/4 inch from a 16-foot straightedge at any location, including placement along and spanning any pavement joint or edge.

Areas in the slab showing high spots of more than 1/4 inch but not exceeding 1/2 inch in 16 feet shall be marked and immediately ground down with an approved grinding machine to an elevation that falls within the tolerance of 1/4 inch or less. Where the departure from the correct cross section exceeds 1/2 inch, the pavement shall be removed and replaced at the expense of the Contractor when so directed by the Engineer.

In addition to the 16-foot straight edge, the Contractor shall furnish a 25' wheel base California type profilograph and competent operator to be used to measure longitudinal pavement surface deviations. The profilograph shall be operated under the supervision of the Engineer and in accordance with the manufacturer's instructions. The profilograph shall be operated at a speed no greater than a normal walk. Original profilograms for the appropriate locations interpreted in accordance with ASTM E 1274 shall be furnished to the Engineer. The profilograms shall be recorded on a scale of one inch equal to 25 feet longitudinally and one inch equal to one inch or full scale vertically. Records shall be maintained showing all smoothness measurements.

(a) The surface of Runway and Taxiway pavements of continuous placement of 50 feet or more shall be tested and evaluated as described herein. Two passes shall be made in each paving lane greater than 20 feet in width; each pass shall be six feet from and parallel with the centerline

of the paving lane. The average of the two passes shall be considered as the profilograph result for the paving lane. For paving lanes less than 20 feet in width, one pass along the centerline shall be required. Tests shall be run the next working day following concrete placement. Each trace shall be completely labeled to show paving lane, wheel pass, and stationing.

(b) The Contractor shall furnish paving equipment and employ methods that produce a riding surface for each section of pavement having an average profile index meeting the requirements of paragraph 8.1c. A typical subsection will be considered to be the width of the paving lane and 1/10 mile long. The profile index will be determined in accordance with ASTM E 1274 using a 0.2-inch blanking band. Within each 1/10th mile subsection, all areas represented by high points having a deviation in excess of 0.4 inch in 25 feet or less shall be removed by the contractor using an approved grinding device or a device consisting of multiple diamond blades. The use of a bush hammer or other impact devices will not be permitted. After removing all individual deviations in excess of 0.4 inch, additional corrective work shall be performed if necessary to achieve the required ride quality. All corrective work shall be completed prior to determination of pavement thickness.

(c) On those pavement subsections where corrections were necessary, second profilograph runs will be performed to verify that the corrections have produced an average profile index of 15 inches per mile or less. If the initial average profile index was less than 15, only those areas representing greater than 0.4-inch deviation will be re-profiled for correction verification.

(d) When the average profile index does not exceed _____ inches per mile, payment will be made for that section at the contract unit price for the completed pavement. When the average profile index exceeds _____ inches per mile, but does not exceed fifteen inches per mile, the Contractor may elect to accept a contract unit price adjustment in lieu of reducing the profile index.

Specify the maximum inches per mile allowed for 100% payment corresponding to the pavement loading conditions as indicate in Paragraph 8.1d.

(e) Individual sections shorter than 50 feet and the last 15 feet of any section where the contractor is not responsible for the adjoining section, shall be straightgeded in accordance with Section 501.5.2e(3).

(f) If there is a section of 250 feet or less, the profilogram for that section shall be included in the evaluation of the previous section. If there is an independently placed section of 50 to 250 feet in length, a profilogram shall be made for that section and the pay adjustment factors for short sections of paragraph 8.1c shall apply.

(g) Any corrective work required shall be performed prior to joint sealing and grooving operations.

(h) All cost necessary to provide the profilograph and related to furnishing the appropriate profilograms as required in this provision are incidental to concrete pavement construction and no direct compensation will be made therefore.

(4) **Grade.** An evaluation of the surface grade shall be made by the Engineer for compliance to the tolerances contained below. Records shall be maintained showing all grade measurements.

Lateral Deviation. Lateral deviation from established alignment of the pavement edge shall not exceed plus or minus 0.10 foot (30 mm) in any lane.

Vertical Deviation. Vertical deviation from established grade shall not exceed plus or minus 0.04 foot (12 mm) at any point.

(5) Edge Slump. When slip-form paving is used, not more than 15 percent of the total free edge of each 500 foot (150 m) segment of pavement, or fraction thereof, shall have an edge slump exceeding 1/4-inch (6 mm), and none of the free edge of the pavement shall have an edge slump exceeding 3/8-inch (10 mm). (The total free edge of 500 feet (150 m) of pavement will be considered the cumulative total linear measurement of pavement edge originally constructed as nonadjacent to any existing pavement; i.e., 500 feet (150 m) of paving lane originally constructed as a separate lane will have 1,000 feet (300 m) of free edge, 500 feet (150 m) of fill-in lane will have no free edge, etc.). The area affected by the downward movement of the concrete along the pavement edge shall be limited to not more than 18 inches (457 mm) from the edge. When excessive edge slump cannot be corrected before the concrete has hardened, the area with excessive edge slump shall be removed and replaced at the expense of the Contractor when so directed by the Engineer.

(6) Dowel Bar Alignment. Dowel bars and assemblies shall be checked for position and alignment. The maximum permissible tolerance on dowel bar alignment in each plane, horizontal and vertical, shall not exceed 2 percent or 1/4 inch per foot (20 mm per meter) of a dowel bar. Vertical alignment of dowels shall be measured parallel to the designed top surface of the pavement, except for those across the crown or other grade change joints. Dowels across crowns and other joints at grade changes, shall be measured to a level surface. Horizontal alignment shall be checked perpendicular to the joint edge.

f. Removal and Replacement of Concrete. Any area or section of concrete that is removed and replaced shall be removed and replaced back to planned joints. The Contractor shall replace damaged dowels and the requirements for doweled longitudinal construction joints in paragraph 501-4.10 shall apply to all contraction joints exposed by concrete removal. Removal and replacement shall be in accordance with paragraph 501-4.19 of this specification.

CONTRACTOR QUALITY CONTROL

501-6.1 QUALITY CONTROL PROGRAM. The Contractor shall develop a Quality Control Program in accordance with Section 100 of the General Provisions. The program shall address all elements that effect the quality of the pavement including but not limited to:

- a. Mix Design
- b. Aggregate Gradation
- c. Quality of Materials
- d. Stockpile Management
- e. Proportioning
- f. Mixing and Transportation
- g. Placing and Consolidation
- h. Joints
- i. Dowel Placement and Alignment
- j. Flexural or Compressive Strength
- k. Finishing and Curing
- l. Surface Smoothness

When the design requires paving an area less than 600 square yards (500 square meters), the Engineer may request modification to this requirement.

501-6.2 QUALITY CONTROL TESTING. The Contractor shall perform all quality control tests necessary to control the production and construction processes applicable to this specification and as set forth in the Quality Control Program. The testing program shall include, but not necessarily be limited to, tests for aggregate gradation, aggregate moisture content, slump, and air content.

A Quality Control Testing Plan shall be developed as part of the Quality Control Program.

a. Fine Aggregate.

(1) **Gradation.** A sieve analysis shall be made at least twice daily in accordance with ASTM C 136 from randomly sampled material taken from the discharge gate of storage bins or from the conveyor belt.

(2) **Moisture Content.** If an electric moisture meter is used, at least two direct measurements of moisture content shall be made per week to check the calibration. If direct measurements are made in lieu of using an electric meter, two tests shall be made per day. Tests shall be made in accordance with ASTM C 70 or ASTM C 566.

b. Coarse Aggregate.

(1) **Gradation.** A sieve analysis shall be made at least twice daily for each size of aggregate. Tests shall be made in accordance with ASTM C 136 from randomly sampled material taken from the discharge gate of storage bins or from the conveyor belt.

(2) **Moisture Content.** If an electric moisture meter is used, at least two direct measurements of moisture content shall be made per week to check the calibration. If direct measurements are made in lieu of using an electric meter, two tests shall be made per day. Tests shall be made in accordance with ASTM C 566.

c. Slump. Four slump tests shall be performed for each lot of material produced in accordance with the lot size defined in Section 501-5.1. One test shall be made for each subplot. Slump tests shall be performed in accordance with ASTM C 143 from material randomly sampled from material discharged from trucks at the paving site. Material samples shall be taken in accordance with ASTM C 172.

d. Air Content. Four air content tests, shall be performed for each lot of material produced in accordance with the lot size defined in Section 501-5.1. One test shall be made for each subplot. Air content tests shall be performed in accordance with ASTM C 231 for gravel and stone coarse aggregate and ASTM C 173 for slag or other porous coarse aggregate, from material randomly sampled from trucks at the paving site. Material samples shall be taken in accordance with ASTM C 172.

e. Four unit weight and yield tests shall be made in accordance with ASTM C 138. The samples shall be taken in accordance with ASTM C 172 and at the same time as the air content tests.

501-6.3 CONTROL CHARTS. The Contractor shall maintain linear control charts for fine and coarse aggregate gradation, slump, and air content.

Control charts shall be posted in a location satisfactory to the Engineer and shall be kept up to date at all times. As a minimum, the control charts shall identify the project number, the contract item number, the test number, each test parameter, the Action and suspension Limits, or Specification limits, applicable to each test parameter, and the Contractor's test results. The Contractor shall use the control charts as part of a process control system for identifying potential problems and assignable causes before they occur. If the Contractor's projected data during production indicates a potential problem and the Contractor is not taking satisfactory corrective action, the Engineer may halt production or acceptance of the material.

a. Fine and Coarse Aggregate Gradation. The Contractor shall record the running average of the last five gradation tests for each control sieve on linear control charts. Specification limits contained in Tables 1 and 2 shall be superimposed on the Control Chart for job control.

b. Slump and Air Content. The Contractor shall maintain linear control charts both for individual measurements and range (i.e. difference between highest and lowest measurements) for slump and air content in accordance with the following Action and Suspension Limits.

CONTROL CHART LIMITS			
Control Parameter	Individual Measurements		Range Suspension Limit
	Action Limit	Suspension Limit	
Slip Form:			
Slump	+0 to -1 inch (0-25mm)	+0.5 to -1.5 inch (13-38mm)	+/- 1.5 inch (38 mm)
Air Content	+/- 1.2%	+/- 1.8%	+/- 2.5%
Fixed Form			
Slump	+ 0.5 to -1 inch (13-25mm)	+1 to -1.5 inch (25-38mm)	+/- 1.5 inch (38mm)
Air Content	+/- 1.2%	+/- 1.8%	+/- 2.5%

The individual measurement control charts shall use the mix design target values as indicators of central tendency.

501-6.4 CORRECTIVE ACTION. The Contractor Quality Control Program shall indicate that appropriate action shall be taken when the process is believed to be out of control. The Contractor Quality Control Program shall detail what action will be taken to bring the process into control and shall contain sets of rules to gauge when a process is out of control. As a minimum, a process shall be deemed out of control and corrective action taken if any one of the following conditions exists.

a. Fine and Coarse Aggregate Gradation. When two consecutive averages of five tests are outside of the Tables 1 or 2 specification limits, immediate steps, including a halt to production, shall be taken to correct the grading.

b. Fine and Coarse Aggregate Moisture Content. Whenever the moisture content of the fine or coarse aggregate changes by more than 0.5 percent, the scale settings for the aggregate batcher(s) and water batcher shall be adjusted.

c. Slump. The Contractor shall halt production and make appropriate adjustments whenever:

- (1) one point falls outside the Suspension Limit line for individual measurements or range; or
- (2) two points in a row fall outside the Action Limit line for individual measurements.

d. Air Content. The Contractor shall halt production and adjust the amount of air-entraining admixture whenever:

- (1) one point falls outside the Suspension Limit line for individual measurements or range; or
- (2) two points in a row fall outside the Action Limit line for individual measurements.

Whenever a point falls outside the Action Limits line, the air-entraining admixture dispenser shall be calibrated to ensure that it is operating correctly and with good reproducibility.

METHOD OF MEASUREMENT

501-7.1 Portland cement concrete pavement shall be measured by the number of [**cubic yards (cubic meters)**] [**square yards (square meters)**] of either plain or reinforced pavement as specified in-place, completed and accepted. Saw-cut grooving shall be measured by the number of square yards (square meters) of saw-cut grooving as specified in-place, completed and accepted.

BASIS OF PAYMENT

501-8.1 PAYMENT. Payment for accepted concrete pavement shall be made at the contract unit price [**per cubic yard (cubic meter)**] [**per square yard (square meter)**] adjusted in accordance with paragraph 501-8.1a, subject to the limitation that:

The total project payment for concrete pavement shall not exceed [] percent of the product of the contract unit price and the total number of [**cubic yards (cubic meters)**] [**square yards (square meters)**] of concrete pavement used in the accepted work (See Note 2 under Table 3).

Payment shall be full compensation for all labor, materials, tools, equipment, and incidentals required to complete the work as specified herein and on the drawings, except for saw-cut grooving.

The Engineer shall specify a value ranging from 100 percent to 106 percent. When the total project payment for Item P-501 pavement exceeds the contract unit price, any AIP or PFC funds used to pay the excess may require an amendment to the AIP grant or PFC application for the project.

a. Basis of Adjusted Payment. The pay factor for each individual lot shall be calculated in accordance with Table 3. A pay factor shall be calculated for both flexural strength and thickness. The lot pay factor shall be the higher of the two values when calculations for both flexural strength and thickness are 100 percent or higher. The lot pay factor shall be the product of the two values when only one of the calculations for either flexural strength or thickness is 100 percent or higher. The lot pay factor shall be the lower of the two values when calculations for both flexural strength and thickness are less than 100 percent .

TABLE 3. PRICE ADJUSTMENT SCHEDULE ¹

Percentage of Material Within Specification Limits (PWL)	Lot Pay Factor (Percent of Contract Unit Price)
96 – 100	106
90 – 95	PWL + 10
75 – 90	0.5PWL + 55
55 – 74	1.4PWL – 12
Below 55	Reject ²

¹ ALTHOUGH IT IS THEORETICALLY POSSIBLE TO ACHIEVE A PAY FACTOR OF 106 PERCENT FOR EACH LOT, ACTUAL PAYMENT IN EXCESS OF 100 PERCENT SHALL BE SUBJECT TO THE TOTAL PROJECT PAYMENT LIMITATION SPECIFIED IN PARAGRAPH 501-8.1.

² The lot shall be removed and replaced. However, the Engineer may decide to allow the rejected lot to remain. In that case, if the Engineer and Contractor agree in writing that the lot shall not be removed, it shall be paid for at 50 percent of the contract unit price AND THE TOTAL PROJECT PAYMENT LIMITATION SHALL BE REDUCED BY THE AMOUNT WITHHELD FOR THE REJECTED LOT.

For each lot accepted, the adjusted contract unit price shall be the product of the lot pay factor for the lot and the contract unit price. Payment shall be subject to the total project payment limitation specified in paragraph 501-8.1. Payment in excess of 100 percent for accepted lots of concrete pavement shall be used to offset payment for accepted lots of concrete pavement that achieve a lot pay factor less than 100 percent.

b. Payment. Payment shall be made under:

Item P-501-8.1a Portland Cement Concrete Pavement—[per cubic yard (cubic meter)] [per square yard (square meter)]

c. Basis of adjusted payment for Smoothness. Price adjustment for pavement smoothness will apply to the total area of concrete within a section of pavement and shall be applied in accordance the following equation and schedule:

$$\begin{aligned}
 & (\text{Sq yds in section}) \times (\text{original unit price per sq yds}) \times \text{PFm} = \\
 & = \text{reduction in payment for area within section}
 \end{aligned}$$

Average Profile Index (Inches per mile)			Contract Unit Price Adjustment PFm
pavement strength rating			
over 30,000 lb	30,000 lb or less	Short Sections	
0 - 7	0 - 10	0 - 15	0.00
7.1 - 9	10.1 - 11	15.1 - 16	0.02
9.1 - 11	11.1 - 12	16.1 - 17	0.04
11.1 - 13	12.1 - 13	17.1 - 18	0.06
13.1 - 14	13.1 - 14	18.1 - 20	0.08
14.1 - 15	14.1 - 15	20.1 - 22	0.10
15.1 & up	15.1 & up	22.1 & up	corrective work required

501-8.2 PAYMENT FOR SAW-CUT GROOVING. Payment for saw-cut grooving shall be made at the contract unit price per square yard (square meter) for saw-cut grooving.

Delete paragraph 501-8.2 if saw-cut grooving is not included in the project.

TESTING REQUIREMENTS

- ASTM C 31 Making and Curing Concrete Test Specimens in the Field
- ASTM C 39 Compressive Strength of Cylindrical Concrete Specimens
- ASTM C 70 Surface Moisture in Fine Aggregate
- ASTM C 78 Test for Flexural Strength of Concrete (Using Simple Beam with Third-Point Loading)
- ASTM C 88 Test for Soundness of Aggregates by Use of Sodium Sulfate or Magnesium Sulfate
- ASTM C 131 Test for Resistance to Abrasion of Small Size Coarse Aggregate by Use of the Los Angeles Machine
- ASTM C 136 Sieve Analysis of Fine and Coarse Aggregates
- ASTM C 138 Test for Density (Unit Weight), Yield, and Air Content (Gravimetric) of Concrete
- ASTM C 143 Test for Slump of Hydraulic Cement Concrete
- ASTM C 172 Sampling Freshly Mixed Concrete
- ASTM C 173 Test for Air Content of Freshly Mixed Concrete by the Volumetric Method
- ASTM C 174 Measuring Thickness of Concrete Elements Using Drilled Concrete Cores
- ASTM C 227 Potential Alkali Reactivity of Cement-Aggregate Combinations (Mortar-Bar Method)

ASTM C 231	Test for Air Content of Freshly Mixed Concrete by the Pressure Method
ASTM C 289	Potential Alkali-Silica Reactivity of Aggregates (Chemical Method)
ASTM C 295	Petrographic Examination of Aggregates for Concrete
ASTM C 114	Chemical Analysis of Hydraulic Cement
ASTM C 535	Test for Resistance to Degradation of Large-Size Coarse Aggregate by Abrasion and Impact in the Los Angeles Machine
ASTM C 566	Total Evaporable Moisture Content of Aggregates by Drying
ASTM C 642	Test for Density, Absorption, and Voids in Hardened Concrete
ASTM C 666	Resistance of Concrete to Rapid Freezing and Thawing
ASTM C 1077	Standard Practice for Laboratories Testing Concrete and Concrete Aggregates for Use in Construction And Criteria for Laboratory Evaluation
ASTM C 1260	Potential Alkali Reactivity of Aggregates (Mortar-Bar Method)
ASTM D 3665	Random Sampling of Paving Materials
ASTM D 4791	Test Method for Flat or Elongated Particles in Coarse Aggregate
ASTM E 178	Dealing With Outlying Observations
ASTM E 1274	Test for Measuring Pavement Roughness Using a Profilograph
AASHTO T 26	Quality of Water to be Used in Concrete

MATERIAL REQUIREMENTS

ASTM A 184	Specification for Fabricated Deformed Steel Bar Mats for Concrete Reinforcement
ASTM A 185	Specification for Steel Welded Wire Fabric, Plain, for Concrete Reinforcement
ASTM A 497	Specification for Steel Welded Wire Fabric, Deformed, for Concrete Reinforcement
ASTM A 615	Specification for Deformed and Plain Billet-Steel Bars for Concrete Reinforcement
ASTM A 704	Specification for Welded Steel Plain Bar or Rod Mats for Concrete Reinforcement
ASTM A 714	Specification for High-Strength Low-Alloy Welded and Seamless Steel Pipe
ASTM A 996	Specification for Rail-Steel and Axle Steel Deformed Bars for Concrete Reinforcement
ASTM C 33	Specification for Concrete Aggregates
ASTM C 94	Specification for Ready-Mixed Concrete
ASTM C 150	Specification for Portland Cement
ASTM C 171	Specification for Sheet Materials for Curing Concrete

ASTM C 260	Specification for Air-Entraining Admixtures for Concrete
ASTM C 309	Specification for Liquid Membrane-Forming Compounds for Curing Concrete
ASTM C 494	Specification for Chemical Admixtures for Concrete
ASTM C 595	Specification for Blended Hydraulic Cements
ASTM C 618	Specification for Coal Fly Ash and Raw or Calcined Natural Pozzolan for Use as a Mineral Admixture in Concrete
ASTM C 881	Specification for Epoxy-Resin Base Bonding System for Concrete
ASTM C 989	Specification for Ground Granulated Blast-Furnace Slag for Use in Concrete and Mortars
ASTM D 1751	Specification for Preformed Expansion Joint Filler for Concrete Paving and Structural Construction (Nonextruding and Resilient Bituminous Types)
ASTM D 1752	Specification for Preformed Sponge Rubber and Cork Expansion Joint Fillers for Concrete Paving And Structural Construction
ACI 305R	Hot Weather Concreting
ACI 306R	Cold Weather Concreting
ACI 309	Guide for Consolidation of Concrete
MIL-DTL-24441/20a (1999)_Paint, Epoxy-Polyamide, Green Primer, Formula 150, Type III	
Department of Defense	

END ITEM P-501

Intentionally Left Blank

PART VII – MISCELLANEOUS ITEM P-602 BITUMINOUS PRIME COAT

DESCRIPTION

602-1.1 This item shall consist of an application of bituminous material on the prepared base course in accordance with these specifications and in reasonably close conformity to the lines shown on the plans.

MATERIALS

602-2.1 BITUMINOUS MATERIAL. The types, grades, controlling specifications, and application temperatures for the bituminous materials are given in Table 1. The Engineer shall designate the specific material to be used.

TABLE 1. BITUMINOUS MATERIAL

Type and Grade	Specification	Application Temperatures \1\	
		Deg. F	Deg. C
Emulsified Asphalt			
SS-1, SS-1h	ASTM D 977	70-160	20-70
MS-2, HFMS-1	ASTM D 977	70-160	20-70
CSS-1, CSS-1h	ASTM D 2397	70-160	20-70
CMS-2	ASTM D 2397	70-160	20-70
Cutback Asphalt			
RC-30	ASTM D 2028	80+	30+
RC-70	ASTM D 2028	120+	50+
RC-250	ASTM D 2028	165+	75+

\1\ The maximum temperature for cutback asphalt shall be that at which fogging occurs.

CONSTRUCTION METHODS

602-3.1 WEATHER LIMITATIONS. The prime coat shall be applied only when the existing surface is dry or contains sufficient moisture to get uniform distribution of the bituminous material, when the atmospheric temperature is above 60°F (15°C), and when the weather is not foggy or rainy. The temperature requirements may be waived, but only when so directed by the Engineer.

602-3.2 EQUIPMENT. The equipment used by the Contractor shall include a self-powered pressure bituminous material distributor and equipment for heating bituminous material.

The distributor shall be designed, equipped, maintained, and operated so that bituminous material at even heat may be applied uniformly on variable widths of surface at the specified rate. The allowable variation from the specified rate shall not exceed 10 percent. Distributor equipment shall include a tachometer, pressure gages, volume-measuring devices or a calibrated tank, and a thermometer for measuring temperatures of tank contents. The distributor shall be self-powered and shall be equipped with a power unit for the pump and full circulation spray bars adjustable laterally and vertically.

If the distributor is not equipped with an operable quick shut off valve, the prime operations shall be started and stopped on building power. The Contractor shall remove blotting sand prior to asphalt concrete lay down operations at no additional expense to the owner.

A power broom and/or blower shall be provided for any required cleaning of the surface to be treated.

602-3.3 APPLICATION OF BITUMINOUS MATERIAL. Immediately before applying the prime coat, the full width of the surface to be primed shall be swept with a power broom to remove all loose dirt and other objectionable material.

The bituminous material including solvent shall be uniformly applied with a bituminous distributor at the rate of 0.25 to 0.50 gallons per square yard (1.20 to 2.40 liters per square meter) depending on the base course surface texture. The type of bituminous material and application rate shall be approved by the Engineer prior to application.

Following the application, the primed surface shall be allowed to dry not less than 48 hours without being disturbed or for such additional time as may be necessary to permit the drying out of the prime coat until it will not be picked up by traffic or equipment. This period shall be determined by the Engineer. The surface shall then be maintained by the Contractor until the surfacing has been placed. Suitable precautions shall be taken by the Contractor to protect the primed surface against damage during this interval, including supplying and spreading any sand necessary to blot up excess bituminous material.

602-3.4 BITUMINOUS MATERIAL CONTRACTOR'S RESPONSIBILITY. Samples of the bituminous materials that the Contractor proposes to use, together with a statement as to their source and character, must be submitted and approved before use of such material begins. The Contractor shall require the manufacturer or producer of the bituminous materials to furnish material subject to this and all other pertinent requirements of the contract. Only satisfactory materials, so demonstrated by service tests, shall be acceptable.

The Contractor shall furnish vendor's certified test reports for each carload, or equivalent, of bituminous material shipped to the project. The test reports shall contain all the data required by the applicable specification. If the Contractor applies the prime material prior to receipt of the tests reports, payment for the material shall be withheld until they are received. If the material does not pass the specifications it shall be replaced at the contractor's expense. The report shall be delivered to the Engineer before permission is granted for use of the material. The furnishing of the vendor's certified test report for the bituminous material shall not be interpreted as basis for final acceptance. All such test reports shall be subject to verification by testing samples of materials received for use on the project.

602-3.5 FREIGHT AND WEIGH BILLS. Before the final estimate is allowed, the Contractor shall file with the Engineer receipted bills when railroad shipments are made, and certified weigh bills when materials are received in any other manner, of the bituminous materials actually used in the construction covered by the contract. The Contractor shall not remove bituminous material from the tank car or storage tank until the initial outage and temperature measurements have been taken by the Engineer, nor shall the car or tank be released until the final outage has been taken by the Engineer.

Copies of freight bills and weigh bills shall be furnished to the Engineer during the progress of the work.

METHOD OF MEASUREMENT

602-4.1 The bituminous material for prime coat shall be measured by the [gallon (liter)][ton(kg)] . Volume shall be corrected to the volume at 60°F (15°C) in accordance with ASTM D 1250 for cutback asphalt, and Table IV-3 of The Asphalt Institute's Manual MS-6 for emulsified asphalt.

BASIS OF PAYMENT

602-5.1 Payment shall be made at the contract unit price per [gallon (liter)][ton (kg)] for bituminous prime coat. This price shall be full compensation for furnishing all materials and for all preparation, delivering, and applying the materials, and for all labor, equipment, tools, and incidentals necessary to complete this item.

Payment will be made under:

Item P-602-5.1 Bituminous Prime Coat—per [gallon (liter)][ton (kg)]

MATERIAL REQUIREMENTS

ASTM D 977	Emulsified Asphalt
ASTM D 2028	Cutback Asphalt (Rapid Curing Type)
ASTM D 2397	Cationic Emulsified Asphalt

TESTING REQUIREMENTS

ASTM D 1250	Petroleum Measurement Tables
Asphalt Institute Manual MS-6 Table IV-3	Asphalt Pocketbook of Useful Information (Temperature-Volume Corrections for Emulsified Asphalts)

END OF ITEM P-602

Intentionally Left Blank

ITEM P-603 BITUMINOUS TACK COAT

DESCRIPTION

603-1.1 This item shall consist of preparing and treating a bituminous or concrete surface with bituminous material in accordance with these specifications and in reasonably close conformity to the lines shown on the plans.

MATERIALS

603-2.1 BITUMINOUS MATERIALS. The bituminous material shall be either cutback asphalt, emulsified asphalt, or tar and shall conform to the requirements of Table 1. The type, grade, controlling specification, and application temperature of bituminous material to be used shall be specified by the Engineer.

TABLE 1. BITUMINOUS MATERIAL

Type and Grade	Specification	Application Temperature	
		Deg. F	Deg. C
Emulsified Asphalt			
SS-1, SS-1h	ASTM D 977	75-130	25-55
CSS-1, CSS-1h	ASTM D 2397	75-130	25-55
Cutback Asphalt			
RC-70	ASTM D 2028	120-160	50-70
Tar			
RTCB 5, RTCB 6	AASHTO M 52	60-120	15-50

CONSTRUCTION METHODS

603-3.1 WEATHER LIMITATIONS. The tack coat shall be applied only when the existing surface is dry and the atmospheric temperature is above 60°F (15°C). The temperature requirements may be waived, but only when so directed by the Engineer.

603-3.2 EQUIPMENT. The Contractor shall provide equipment for heating and applying the bituminous material.

The distributor shall be designed, equipped, maintained, and operated so that bituminous material at even heat may be applied uniformly on variable widths of surface at the specified rate. The allowable variation from the specified rate shall not exceed 10 percent. Distributor equipment shall include a tachometer, pressure gages, volume-measuring devices or a calibrated tank, and a thermometer for measuring temperatures of tank contents. The distributor shall be self-powered and shall be equipped with a power unit for the pump and full circulation spray bars adjustable laterally and vertically.

If the distributor is not equipped with an operable quick shut off valve, the tack operations shall be started and stopped on building paper. The Contractor shall remove blotting sand prior to asphalt concrete lay down operations at no additional expense to the owner.

A power broom and/or blower shall be provided for any required cleaning of the surface to be treated.

603-3.3 APPLICATION OF BITUMINOUS MATERIAL. Immediately before applying the tack coat, the full width of surface to be treated shall be swept with a power broom and/or airblast to remove all loose dirt and other objectionable material.

Emulsified asphalt shall be diluted by the addition of water when directed by the Engineer and shall be applied a sufficient time in advance of the paver to ensure that all water has evaporated before any of the overlying mixture is placed on the tacked surface.

The bituminous material including vehicle or solvent shall be uniformly applied with a bituminous distributor at the rate of 0.05 to 0.15 gallons per square yard (0.24 to 0.72 liters per square meter) depending on the condition of the existing surface. The type of bituminous material and application rate shall be approved by the Engineer prior to application.

Following the application, the surface shall be allowed to cure without being disturbed for such period of time as may be necessary to permit drying out and setting of the tack coat. This period shall be determined by the Engineer. The surface shall then be maintained by the Contractor until the next course has been placed. Suitable precautions shall be taken by the Contractor to protect the surface against damage during this interval.

603-3.4 BITUMINOUS MATERIAL CONTRACTOR'S RESPONSIBILITY. Samples of the bituminous material that the Contractor proposes to use, together with a statement as to its source and character, must be submitted and approved before use of such material begins. The Contractor shall require the manufacturer or producer of the bituminous material to furnish material subject to this and all other pertinent requirements of the contract. Only satisfactory materials so demonstrated by service tests, shall be acceptable.

The Contractor shall furnish the vendor's certified test reports for each carload, or equivalent, of bituminous material shipped to the project. The tests reports shall contain all the data required by the applicable specification. If the Contractor applies the material prior to receipt of the tests reports, payment for the material shall be withheld until they are received. If the material does not pass the specifications it shall be replaced at the contractor's expense. The report shall be delivered to the Engineer before permission is granted for use of the material. The furnishing of the vendor's certified test report for the bituminous material shall not be interpreted as a basis for final acceptance. All such test reports shall be subject to verification by testing samples of material received for use on the project.

603-3.5 FREIGHT AND WEIGH BILLS. Before the final estimate is allowed, the Contractor shall file with the Engineer receipted bills when railroad shipments are made, and certified weigh bills when materials are received in any other manner, of the bituminous materials actually used in the construction covered by the contract. The Contractor shall not remove bituminous material from the tank car or storage tank until the initial outage and temperature measurements have been taken by the Engineer, nor shall the car or tank be released until the final outage has been taken by the Engineer. Copies of freight bills and weigh bills shall be furnished to the Engineer during the progress of the work.

METHOD OF MEASUREMENT

603-4.1 The bituminous material for tack coat shall be measured by the [gallon (liter)] [ton (kg)]. Volume shall be corrected to the volume at 60°F (15°C) in accordance with ASTM D 1250 for cutback asphalt, ASTM D 633 for tar, and Table

603-4.2 IV-3 of The Asphalt Institute's Manual MS-6 for emulsified asphalt. Water added to emulsified asphalt will not be measured for payment.

BASIS OF PAYMENT

603.5-1 Payment shall be made at the contract unit price per [gallon (liter)] [ton (kg)] of bituminous material. This price shall be full compensation for furnishing all materials, for all preparation, delivery, and application of these materials, and for all labor, equipment, tools, and incidentals necessary to complete the item.

Payment will be made under:

Item P-603-5.1 Bituminous Tack Coat—per [gallon (liter)][ton (kg)]

MATERIAL REQUIREMENTS

ASTM D 633	Volume Correction Table for Road Tar
ASTM D 977	Emulsified Asphalt
ASTM D 1250	Petroleum Measurement Tables
ASTM D 2028	Cutback Asphalt (Rapid-Curing Type)
ASTM D 2397	Cationic Emulsified Asphalt
Asphalt Institute Manual MS-6 Table IV-3	Asphalt Pocketbook of Useful Information (Temperature-Volume Corrections for Emulsified Asphalts)

END ITEM P-603

Intentionally Left Blank

The following is an optional specification that can be used for long performance joint seals in concrete pavements:

ITEM P-604 COMPRESSION JOINT SEALS FOR CONCRETE PAVEMENTS

DESCRIPTION

604-1.1 This item shall consist of preformed polychloroprene compression seals used for sealing joints of rigid pavements.

MATERIALS

604-2.1 PREFORMED SEALS. Preformed joint seal materials shall be a vulcanized elastomeric compound using polychloroprene as the only base polymer. The material and the manufactured seal itself shall conform to ASTM D 2628 and CRD C 548. The joint seal shall be a labyrinth type seal with the uncompressed depth of the seal greater than the uncompressed width of the seal, [except that for seals 1 inch or greater in width, the depth need be only 1 inch or greater]. The actual width of the uncompressed seal shall be 13/16 inch or 1 inch [or _____] within a tolerance of plus 1/8 inch and minus 1/16 inch.

In paragraph 604-2.1, the actual width of the joint seal should be 13/16 inch or 1 inch at the option of the Contractor. However, for unusual circumstances or for resealing joints in existing pavement that have to be sawed out to an extra width a wider seal should be specified. 1 inch should be used for slab greater that 20 feet and less that 25 foot.

604-2.2 LUBRICANT/ADHESIVE. Lubricant/adhesive used for the preformed elastomeric joint seal shall be a one-component compound conforming to ASTM D 2835.

604-2.3 DELIVERY AND STORAGE. Materials delivered to the job site shall be inspected for defects, unloaded, and stored with a minimum of handling to avoid damage. Storage facilities shall be provided at the job site to protect materials from weather and to maintain them at temperatures as recommended by the manufacturer.

604-2.4 SUBMITTALS. Certified copies of test results shall be provided [_____] days prior to use of material on the project.

a. Construction Equipment List. List of proposed equipment to be used in the performance of construction work, including descriptive data shall be provided to the engineer [_____] days prior to use on the project.

b. Manufacturer's Instructions. Where installation procedures, or any part thereof, are required to be in accordance with the manufacturer's recommendations, printed copies of these recommendations shall be furnished to the engineer [_____] days prior to use on the project. Installation of the material will not be allowed until the recommendations are received. Failure to furnish these recommendations can be a cause for rejection of the material.

c. Samples. Regardless of testing responsibility, samples of the materials shall be submitted by the contractor to the engineer for written approval [_____] days prior to use on the project. Written or printed directions from the manufacturer giving recommended criteria for installation shall be furnished to the engineer at the same time, plus

certification from the manufacturer that the seal selected is recommend for the installation involved on this project. No material will be allowed to be used until it has been approved.

The blank spaces for testing the materials will be filled in to allow ample time for sampling, testing, and shipping to the project. Normally, this will require a minimum of 60 days.

For the following paragraph optional wording is in brackets: Designer should select the applicable statement for testing and determining specification compliance and delete the inapplicable statement. The first statement will be selected for all projects except where the project is less than 4,000 linear feet of preformed joint seal material. When the project requires less than 4,000 linear feet of preformed joint seal material, the first statement can be deleted and the second statement used.

604-2.5 TEST REQUIREMENTS. Each lot of preformed joint seal and lubricant/adhesive produced for this project shall be sampled, adequately identified, and tested for conformance with the referenced applicable material specification. A lot of preformed seal shall consist of one day's production or 20,000 linear feet for each cross section, whichever is less. A lot of lubricant/adhesive shall consist of one day's production. [Samples of the preformed joint seal and lubricant/adhesive material shall be submitted and will be tested by the Engineer. No material shall be used at the project prior to receipt of written notice that the materials meet the laboratory requirements. The cost of testing the samples from each original lot supplied will be borne by the Engineer. If the sample fails to meet specification requirements, the materials represented by the sample shall be replaced and the new materials tested. A cost of [] for Engineer testing of each lot of replacement material will be charged to the Contractor.] [Testing of the preformed joint and lubricant/adhesive material shall be the responsibility of the Contractor and shall be performed in an approved independent laboratory and certified copies of the test reports shall be submitted for approval [] days prior to the use of the materials at the job site. Samples of each lot of material shall also be submitted and will be retained by the Engineer for possible future testing should the materials appear defective during or after application.] The Contractor shall furnish additional samples of materials, in sufficient quantity to be tested, upon request. Conformance with the requirements of the laboratory tests specified will not constitute final acceptance of the materials. Final acceptance will also be based on the performance of the in-place materials.

604-3.1 EQUIPMENT. Machines, tools, and equipment used in the performance of the work required by this section shall be approved by the engineer before the work is started and shall be maintained by the contractor in satisfactory condition at all times.

a. Joint Cleaning Equipment.

(1) Concrete Saw. A self-propelled power saw with water-cooled diamond or abrasive saw blades shall be provided for cutting joints to the depths and widths specified and for removing filler [existing old joint seal] or other material embedded in the joints or adhered to the joint faces.

(2) Sandblasting Equipment. Sandblasting equipment shall include an air compressor, hose, and a long-wearing venturi-type nozzle of proper size, shape, and opening. The maximum nozzle opening should not exceed 1/4 inch. The air compressor shall be portable and shall be capable of furnishing not less than 150 cubic feet per minute and maintaining a line pressure of not less than 90 psi at the nozzle while in use. The compressor shall be equipped with traps that will maintain the compressed air free of oil and water. The nozzle shall have an adjustable guide that will hold the nozzle aligned with the joint about 1 inch above the pavement surface and will direct the blast to clean the joint walls. The height, angle of inclination, and the size of the nozzle shall be adjusted as necessary to ensure satisfactory results.

Sandblasting should be shown as an option to waterblasting for new pavement installations.

Sandblasting equipment with a 1/4-inch nozzle requires at least 137 cubic feet per minute of air to function efficiently. A larger nozzle would not serve any useful purpose in cleaning a joint.

(3) Waterblasting Equipment. Waterblasting equipment shall include a trailer-mounted water tank, pumps, high-pressure hose, a wand with safety release cutoff controls, nozzle, and auxiliary water resupply equipment. The water tank and auxiliary water resupply equipment shall be sufficient capacity to permit continuous operations. The pumps, hoses, wand, and nozzle shall be of sufficient capacity to permit the cleaning of both walls of the joint and the pavement surface for a width of at least 1/2 inch on either side of the joint. The pump shall be capable of supplying a pressure of at least 3,000 psi. A pressure gauge mounted at the pump shall show at all times the pressure in pounds per square inch at which the equipment is operating.

b. Sealing Equipment. Equipment used to install the preformed seal shall place the preformed seal to the prescribed depths within the specified tolerances without cutting, nicking, twisting, or otherwise damaging the seal. The equipment shall not stretch or compress the seal more than 3.0 percent longitudinally during installation. The machine shall be an automatic self-propelled joint seal application equipment and shall be engine powered. The machine shall include a reservoir for the lubricant/adhesive, a device for conveying the lubricant/adhesive in the proper quantities to the sides the preformed seal or the sidewalls of the joint, a reel capable of holding one full spool of preformed seal, and a power-driven apparatus for feeding the joint seal through a compression device and inserting the seal into the joint. The equipment shall also include a guide to maintain the proper course along the joint being sealed. The machine shall at all times be operated by an experienced operator.

Single-axle type seal application equipment should not be permitted; this tool tends to cause excessive stretching and may cut or distort the seal. The following subparagraph may be added only for pavements less than 500 square yards:

“The hand operated joint seal application equipment shall be a two-axle, four-wheel machine that shall include means for compressing and inserting the preformed seal into the joint and a reel capable of holding one full spool of preformed seal. Auxiliary equipment shall be provided to coat both sides the seal or the joint with lubricant/adhesive just prior to the installation of the preformed seal.”

CONSTRUCTION METHODS

604-4.1 ENVIRONMENTAL CONDITIONS. The ambient temperature and the pavement temperature within the joint wall shall be at least 35°F and rising at the time of installation of the materials. Sealant application will not be permitted if moisture or any foreign material is observed in the joint.

604-4.2 TRIAL JOINT SEAL AND LUBRICANT/ADHESIVE INSTALLATION. Prior to the cleaning and sealing of the joints for the entire project, a test section at least 200 feet long shall be prepared at a location directed in the project pavement using the specified materials and the approved equipment, so as to demonstrate the proposed joint preparation and sealing of all types of joints in the project. Following the completion of the trial length and before any other joint is sealed, the trial joints will be inspected by the Engineer to determine that the materials and installation meet the requirements specified. If materials or installation do not meet requirements the materials shall be removed, and the joints shall be recleaned and resealed at no cost to the owner. No other joints shall be sealed until the test installation has been approved. If the trial section is approved, it may be incorporated into the

permanent work and paid for at the contract unit prices per linear foot for sealing items scheduled. All other joints shall be sealed in the manner approved for sealing the trial joints.

604-4.3 PREPARATION OF JOINTS. Immediately before installation of the preformed joint seal, the joints shall be thoroughly cleaned to remove all laitance, filler, [old existing sealant,] foreign material and protrusions of hardened concrete from the sides and upper edges of the joint space to be sealed. Any irregularity in the joint face that would prevent uniform contact between the joint seal and the joint face shall be corrected by _____ prior to the installation of the joint seal.

Joint openings of uniform cross section are essential to satisfactory installation of preformed polychloroprene joint seal. Openings must be sawed to provide smooth vertical faces of consistent width, within specified tolerances. Non-uniformity in width or roughness will cause variations in resistance of the joint seal to insertion and will result in irregular depth of insertion, stretching, and a tendency of the joint seal to twist so that the top of the seal is not at the surface.

The proper preparation of joints with respect to the size of joint opening, required cleanliness of vertical and parallel joint faces, and uniform contact between the seal and the joint face can not be overemphasized. The neglect of any facet of these operations can result and has resulted in poor performance of joint seals.

a. Sawing. Joints shall be sawed to clean and to open them to the full specified width and depth. Immediately following the sawing operation, the joint faces and opening shall be thoroughly cleaned using a water jet to remove all saw cuttings or debris remaining on the faces or in the joint opening. Compression seal shall be installed within 3 calendar days of the time the individual joint cavity is sawed. Depth of sawing the cavity shall be between 3/4 and 1 inch deeper than the uncompressed depth of the seal (or otherwise recommended by the manufacturer). The saw cut for the joint seal cavity shall at all locations be centered over the joint line. The nominal width of the sawed joint seal cavity shall be as follows; the actual width shall be within a tolerance of plus or minus 1/16 inch:

(1) If a nominal 13/16 inch wide compression seal is furnished, the nominal width of the saw cut shall be [_____]. However, this shall apply only when the pavement temperature at the time of sawing is between [_____ and _____] degrees F. If the pavement temperature at the time of sawing is above this range, the nominal width of the saw cut shall be decreased 1/16 inch. If the pavement temperature at the time of sawing is below this range, the nominal width of the saw cut shall be increased 1/16 inch.

(2) If a nominal 1 inch wide compression seal is furnished, the nominal width of the saw cut shall be [_____]. However, this shall apply only when the pavement temperature at the time of sawing is between [_____ and _____] degrees F. If the pavement temperature at the time of sawing is above this range, the nominal width of the saw cut shall be decreased 1/16 inch. If the pavement temperature at the time of sawing is below this range, the nominal width of the saw cut shall be increased 1/16 inch.

The pavement temperature shall be measured and recorded in the presence of the Engineer. Measurement shall be made each day before commencing sawing and at any other time during the day when the temperature appears to be moving out of the allowable sawing range.

In Par 604-3.1.a, the requirements are based on giving the Contractor the option of using either nominal 13/16 inch or 1-inch wide compression seal. The designer will select the required valves to insert in the blanks for whatever geographical area in which the project is located based on the following table:

For insertion in blanks

Area	Expected Pavement Temperature Range in Service Degrees F	Nominal Uncompressed Sealant Width-Inches	Nominal Saw Cut-Inches	Allowable Pavement Temperature Range for Sawing-Degrees F
Southwest Desert Area	+10 to +160	13/16 1"	8/16 9/16	+50 to +155 +55 to +180
Southern U.S.	0 to +135	13/16 1"	8/16 9/16	+30 to +110 +30 to +170
Other Contiguous U.S. States	-30 to +135	13/16 1"	8/16 9/16	+25 to +80 +25 to +140
Alaska and Similar Areas	-70 to +110	13/16 1"	7/16 8/16	+50* to +105 +60 to +160

* Put a note in the project specifications that this seal shall not be installed in a saw cut less than 7/16 and thus cannot be used in this area if sawing must be done at temperatures less than +50 degrees.

The above table is based on the following:

- a. Tolerance from nominal specified width of uncompressed seal - plus 1/8 inch and minus 0 inch.
- b. Tolerance from nominal saw cut width-plus or minus 1/16 inch.
- c. Compression seal must be compressed at least 20 percent of its uncompressed width at all times.
- d. Compression seal must never be compressed more than 60 percent of its uncompressed width at any time (narrowest opening in hot weather must be at least 40 percent of uncompressed seal width).
- e. Computations for slab (or joint) movement have been based on the formula:

$$dW = 0.001056 \times dT$$

dW = slab or joint movement in inches

dT = change in temperature in degrees F

(The coefficient 0.000528 was derived from the basic formula $dL = 12 \times c \times l (a \times dT + e)$. To arrive at 0.001056; a, the thermal coefficient of concrete was assumed to be 5.5E-6 inch/inch/degree Fahrenheit; e, the drying shrinkage coefficient of concrete was neglected for these calculations. A value of 0.5 to 2.5 x 10⁻⁴ in./in. can be used for new concrete, and C, the adjustment factor due to slab friction was assumed to be 0.80. Slab length is assumed to be 20 ft.

f. The values for insertion in the blanks are based on the greatest tolerance limit variation for both seal width and saw cut width.

For unusual conditions and for resealing joints in existing pavements where the prepared joint is extra wide, the designer will have to compute values to insert in the blanks. (Before the compression seal is used for resealing joints in existing pavements, it is common practice to resaw the joints - which will give a wider joint cavity. Width of sawing should be held to the same tolerance as specified for new pavements.)

b. Sandblast Cleaning. The concrete joint faces and pavement surfaces extending at least 1/2 inch from the joint edges shall be sandblasted clean. A multiple pass technique shall be used until the surfaces are free of dust, direct curing compound, or any residue that might prevent ready insertion or uniform contact of the seal and bonding of the lubricant/adhesive to the concrete. After final cleaning and immediately prior to sealing, the joints shall be blown out with compressed air and left completely free of debris and water.

Sandblasting of joints may not be permitted under certain conditions. Blowing sand and dust may either violate atmospheric pollution statutes, or may drift into areas where it would be objectionable. When sandblasting is prohibited, cleaning the joints with waterblasting equipment may be used and this paragraph deleted.

c. Waterblast Cleaning. The concrete joint faces and pavement surfaces extending at least 1/2 inch from the joint edges shall be waterblasted clean. A multiple pass technique shall be used until the surfaces are free of dust, direct, curing compound, or any residue that might prevent ready insertion or uniform contact of the seal and bonding of the lubricant/adhesive to the concrete. After final cleaning and immediately prior to sealing, the joints shall be blown out with compressed air and left completely free of debris and water.

Waterblasting equipment varies considerably with respect to design of wand, nozzle, water pressure, and water volume depending upon the manufacturer. Consequently, the effectiveness of a particular set of equipment cannot be predicted. The joints may be waterblasted the previous day and cleaned with compressed air immediately prior to sealing. The joints should be inspected to insure no foreign debris remains in the joint before sealing.

d. Rate of Progress. The stages of joint preparation which includes sandblasting or waterblasting of the joint faces and air pressure cleaning of the joints shall be limited to only the linear footage of joint that can be sealed during the same workday.

604-4.4 INSTALLATION OF THE PREFORMED SEAL.

Temperatures of the pavement and the atmosphere are not as critical for the installation of preformed polychloroprene joint seals as they are for poured sealants. Therefore, lower temperatures are acceptable and under some conditions sealing can proceed satisfactorily at

temperatures lower than 35 degrees F. However, joints should be dry to obtain maximum cementing of the lubricant/adhesive to the concrete and manufacturers should be contacted for special instructions under cold conditions.

a. Time of Installation. Joints shall be sealed within 3 calendar days of sawing the joint seal cavity and immediately following concrete cure and the final cleaning of the joint walls. Open joints ready for sealing that cannot be sealed under the conditions specified herein shall be provided with an approved temporary seal to prevent infiltration of foreign material. When rain interrupts the sealing operations, the joints shall be washed, air pressure cleaned and allowed to dry prior to installing the lubricant/adhesive and preformed seal.

b. Sequence of Installation. Longitudinal joints shall be sealed first, followed by transverse joints and then all other joints. Seals in longitudinal joints shall be cut so that all transverse joint seals will be intact from edge to edge of the pavement. Intersections shall be made monolithic by use of joint seal adhesive and care in fitting the intersection parts together. Extender pieces of seal shall not be used at intersections. Any seal falling short of the intersection shall be removed and replaced with new seal at no additional cost to the owner.

604-4.5 SEALING OF JOINTS. The joint seal shall be installed using the equipment specified in paragraph 604-3.1b EQUIPMENT. The sides of the joint seal or the sides of the joint shall be covered with a coating of lubricant/adhesive and the seal installed in such a manner as to conform to all requirements specified. Butt joints and seal intersections shall be coated with liberal applications of lubricant/adhesive. Lubricant/adhesive spilled on the pavement shall be removed immediately to prevent setting on the pavement. An in-place joint seal shall be in an upright position and free from twisting, distortion, cuts, and stretching or compression in excess of 3.0 percent. The joint seal shall be placed at a uniform depth within the tolerances specified. In-place joint seal that fails to meet the specified requirements shall be removed and replaced with new joint seal in a satisfactory manner at no additional cost to the owner. The preformed joint seal shall be placed to a depth of 3/16 inch, plus or minus 1/8 inch, below the pavement surface except when the joint is beveled or has a radius at the surface, or unless otherwise directed. For beveled joints or joints with a radius at the surface, the preformed joint seal shall be installed at a depth of 1/8 inch, plus or minus 1/8 inch, below the bottom of the edge of the bevel or radius. No part of the seal shall be allowed to project above the surface of the pavement or above the edge of the bevel or radius. The seal shall be installed in the longest practicable lengths in longitudinal joints and shall be cut at the joint intersections so as to provide continuous installation of the seal in the transverse joints. The lubricant/adhesive in the longitudinal shall be allowed to set for 1 hour prior to cutting at the joint intersections to reduce the possibility of shrinkage. For all transverse joints, the minimum length of the preformed joint seal shall be the pavement width from edge to edge.

Stretching of the preformed polychloroprene joint seal beyond the specified maximum must never be permitted, as breaks in the seal could occur later on. It is also possible that if the maximum is exceeded, when the longitudinal joints are cut to install the transverse joints that the joint seal material will return to its natural length leaving openings in the final product. Conversely, placing the seal so that the preformed seal is compressed longitudinally is also undesirable, as this practice tends to cause unsightly undulations and may exceed depth of installation tolerances. On airfield pavements a depth of 3/16 inch is desired to reduce the accumulation of dust and debris on top of the preformed seal, which could be ingested by aircraft engines. For other pavements 1/4 inch can be specified. It is recommended when the preformed seal in the longitudinal intersections are being cut that a knife blade be used to reduce the possibility of damage to the preformed seal on either side of the intersection.

604-4.6 CLEAN-UP. Upon completion of the project, all unused materials shall be removed from the site, all lubricant/adhesive on the pavement surface shall be removed, and the pavement shall be left in clean condition.

604-5.1 QUALITY CONTROL PROVISIONS.

a. Equipment. The application equipment shall be inspected to assure uniform application of lubricant/adhesive to the sides of the preformed joint seal or the walls of the joint. If any equipment causes cutting, twisting, nicking, excessive stretching or compressing of the preformed seal, or improper application of the lubricant/adhesive, the operation shall be suspended until causes of the deficiencies are determined and corrected by the contractor.

b. Procedures.

(1) Quality control provisions shall be provided during the joint cleaning process to prevent or correct improper equipment and cleaning techniques that damage the concrete in any manner. Cleaned joints shall be approved by the Engineer prior to installation of the lubricant/adhesive and preformed joint seal.

(2) Conformance to stretching and compression limitations shall be determined by the engineer. After installation, the distance between the marks shall be measured on the pavement. If the stretching or compression exceeds the specified limit, the seal shall be removed and replaced with new joint seal at no additional cost to the owner. The seal shall be removed up to the last correct measurement. The seal shall be inspected a minimum of once per 100 feet of seal for compliance to the shrinkage or compression requirements. Measurements shall also be made as directed to determine conformance with depth and width installation requirements. All preformed seal that is not in conformance with specification requirements shall be removed and replaced with new joint seal at no additional cost to the owner.

c. Product. The joint sealing system (preformed seal and lubricant/adhesive) shall be inspected by the engineer for proper rate of cure and bonding to the concrete, cuts, twists, nicks, and other deficiencies. Seals exhibiting any defects, at any time prior to final acceptance of the project, shall be removed from the joint, wasted, and replaced in a satisfactory manner, as determined by the engineer.

METHOD OF MEASUREMENT

604-6.1 MEASUREMENT. The quantity of each sealing item to be paid for will be determined by actual measurement of the number of linear feet of in-place material that has been approved.

BASIS OF PAYMENT

604-7.1 PAYMENT. Payment will be made at the contract unit bid prices per linear foot for the sealing items scheduled. The unit bid prices shall include the cost of all labor, materials, the use of all equipment, and tools required to complete the work.

TESTING REQUIREMENTS

The publications listed below form a part of this specification to the extent referenced. The publications are referred to in this text by basic designation only.

U.S. ARMY CORPS OF ENGINEERS

CRD C 548 Standard Specification for Jet-Fuel and Heat Resistant Preformed Polychloroprene Elastomeric Joint Seals for Rigid Pavements

AMERICAN SOCIETY FOR TESTING AND MATERIALS (ASTM)

ASTM D 2628 Preformed Polychloroprene Elastomeric Joint Seals for Concrete Pavements

ASTM D 2835 Lubricant for Installation of Preformed Compression Seals in Concrete Pavements

END ITEM P-604

Intentionally Left Blank

ITEM P-605 JOINT SEALING FILLER

DESCRIPTION

605-1.1 This item shall consist of providing and installing a resilient and adhesive joint sealing filler capable of effectively sealing joints and cracks in pavements.

MATERIALS

605-2.1 JOINT SEALERS. Joint sealing materials shall meet the requirements of [].

[Each lot or batch of sealing compound shall be delivered to the jobsite in the manufacturer's original sealed container. Each container shall be marked with the manufacturer's name, batch or lot number, the safe heating temperature, and shall be accompanied by the manufacturer's certification stating that the compound meets the requirements of this specification.]

The Engineer shall specify one or more of the following:

FED SPEC SS-S-200E(2) — Sealants, Joint, Two-Component, Jet-Blast Resistant, Cold Applied.

ASTM D 1854 - Jet-Fuel-Resistant Concrete Joint Sealer, Hot-Applied Elastic Type

ASTM D 3406 - Joint Sealants, Hot-Applied, Elastometric-Type, for Portland Cement Concrete Pavements

ASTM D 3569 - Joint Sealants, Hot-Applied, Elastometric, Jet-Fuel-Resistant type, for Portland Cement Concrete Pavements

ASTM D 3581 - Joint Sealant, Hot-Applied, Jet-Fuel-Resistant Type, for Portland Cement Concrete and Tar-Concrete Pavements

ASTM D 5893 - Standard Specifications for Cold Applied, Single Component, Chemically Curing Silicone Joint Sealant for Portland Cement Concrete Pavements.

ASTM D 6690 - Joint and Crack Sealants, Hot-Applied, for Concrete and Asphalt Pavements

Additionally, if silicone sealants are elected, add the ASTM to the listing of Material Requirements.

CONSTRUCTION METHODS

605-3.1 TIME OF APPLICATION. Joints shall be sealed as soon after completion of the curing period as feasible and before the pavement is opened to traffic, including construction equipment. The pavement temperature shall be above [40°F (4°C)][(50°F (10°C))] at the time of installation of the [preformed joint seal][poured joint sealing material].

Specify 40°F (4°C) for preformed seal and 50°F (10°C) for poured seals.

If the pavement must be opened to traffic prior to placement of the sealant, this paragraph should be modified to require the Contractor to temporarily fill the joint with a jute or nylon rope immediately after the joint is sawed. The rope should be slightly larger than the joint and should be forced into the joint so that the top of the rope is 1/8 inch (3 mm) below the pavement surface. The rope shall be removed immediately prior to cleaning.

605-3.2 PREPARATION OF JOINTS.

a. Sawing. All joints shall be sawed in accordance with specifications and plan details. Immediately after sawing the joint, the resulting slurry shall be completely removed from joint and adjacent area by flushing with a jet of water, and by use of other tools as necessary.

b. Sealing. Immediately before sealing, the joints shall be thoroughly cleaned of all remaining laitance, curing compound, and other foreign material. Cleaning shall be accomplished by sandblasting. Sandblasting shall be accomplished in a minimum of two passes. One pass per joint face with the nozzle held at an angle directly toward the joint face and not more than 3 inches from it. Upon completion of cleaning, the joints shall be blown out with compressed air free of oil and water. Only air compressors with operable oil and water traps shall be used to prepare the joints for sealing. The joint faces shall be surface dry when the seal is applied.

605-3.3 INSTALLATION OF SEALANTS. Joints shall be inspected for proper width, depth, alignment, and preparation, and shall be approved by the Engineer before sealing is allowed. Sealants shall be installed in accordance with the following requirements:

[Hot Poured Sealants. The joint sealant shall be applied uniformly solid from bottom to top and shall be filled without formation of entrapped air or voids. A backing material shall be placed as shown on the plans and shall be nonadhesive to the concrete or the sealant material. The heating kettle shall be an indirect heating type, constructed as a double boiler. A positive temperature control and mechanical agitation shall be provided. The sealant shall not be heated to more than 20°F (-11°C) below the safe heating temperature. The safe heating temperature can be obtained from the manufacturer's shipping container. A direct connecting pressure type extruding device with nozzles shaped for insertion into the joint shall be provided. Any sealant spilled on the surface of the pavement, structures and/or lighting fixtures, shall be removed immediately.]

[Cold Applied Sealants. Cold applied joint sealing compound shall be applied by means of pressure equipment that will force the sealing material to the bottom of the joint and completely fill the joint without spilling the material on the surface of the pavement. A backing material shall be placed as shown on the plans and shall be nonadhesive to the concrete or the sealant material. Sealant that does not bond to the concrete surface of the joint walls, contains voids, or fails to set to a tack-free condition will be rejected and replaced by the Contractor at no additional cost. Before sealing the joints, the Contractor shall demonstrate that the equipment and procedures for preparing, mixing, and placing the sealant will produce a satisfactory joint seal. This shall include the preparation of two small batches and the application of the resulting material. Any sealant spilled on the surface of the pavement, structures and/or lighting fixtures, shall be removed immediately.]

The use of a backup material or bond breaker in the bottom of the joint to be filled is recommended to control the depth of the sealant, to achieve the desired shape factor, and to support the sealant against indentation and sag. Backup materials and bond breakers should be compatible with the sealant, should not adhere to the sealant, should be compressible without extruding the sealant, and should recover to maintain contact with the joint faces when the joint is open.

Jute, paper, or other moisture absorbing material shall not be used for the backing material. The backing material shall be rubber, butyl rubber, or other approved material that will not react with the joint sealer and will not form a gas when the hot joint sealer is applied.

The Engineer should select either hot poured or cold applied sealant and include the appropriate paragraph in the specifications.

Insert:

“both non-reactive and...”

before:

“...non-adhesive to the concrete...” in the second sentence of each paragraph regarding hot poured and cold applied sealant.

METHOD OF MEASUREMENT

605-4.1 Joint sealing material shall be measured by the [gallon (liter)] [pound (kg)] [linear foot (meter)] of sealant in place, completed, and accepted.

BASIS OF PAYMENT

605-5.1 Payment for joint sealing material shall be made at the contract unit price per [gallon (liter)] [pound (kg)] [linear foot (meter)]. The price shall be full compensation for furnishing all materials, for all preparation, delivering, and placing of these materials, and for all labor, equipment, tools, and incidentals necessary to complete the item.

Payment will be made under:

- Item P-605-5.1 Joint Sealing Filler — per gallon (liter)
- Item P-605-5.2 Joint Sealing Filler — per pound (kg)

TESTING REQUIREMENTS

- ASTM D 412 Test Methods for Vulcanized Rubber and Thermoplastic Elastomers – Tension
- ASTM D 1644 Test Methods for Nonvolatile Content of Varnishes

MATERIAL REQUIREMENTS

- ASTM D 1854 Jet-Fuel-Resistant Concrete Joint Sealer, Hot-Applied Elastic Type
- ASTM D 3406 Joint Sealants, Hot-Applied, Elastomeric-Type, for Portland Cement Concrete Pavements
- ASTM D 3569 Joint Sealant, Hot-Applied, Elastometric, Jet-Fuel-Resistant Type, for Portland Cement Concrete Pavements

- ASTM D 3581 Joint Sealant, Hot-Applied, Jet-Fuel-Resistant Type, for Portland Cement Concrete and Tar-Concrete Pavements
- ASTM D 5893 Standard Specifications for Cold Applied, Single Component, Chemically Curing Silicone Joint Sealant for Portland Cement Concrete Pavements
- ASTM D 6690 Joint and Crack Sealants, Hot-Applied, for Concrete and Asphalt Pavements
- FED SPEC
SS-S-200E(2) Sealants, Joint, Two-Component, Jet-Blast Resistant, Cold Applied

END ITEM P-605

ITEM P-606 ADHESIVE COMPOUNDS, TWO-COMPONENT FOR SEALING WIRE AND LIGHTS IN PAVEMENT

DESCRIPTION

606-1.1. This specification covers two types of material; a liquid suitable for sealing electrical wire in saw cuts in pavement and for sealing light fixtures or bases in pavement, and a paste suitable for embedding light fixtures in the pavement. Both types of material are two-component filled formulas with the characteristics specified in paragraph 606-2.4. Materials supplied for use with bituminous concrete pavements must be formulated so they are compatible with the bituminous concrete.

If the material is to be used on bituminous concrete pavements and it is not formulated for this use, cracking and separation of the material from sawed wireway kerfs and around light fixtures may occur.

EQUIPMENT AND MATERIALS

606-2.1 CURING. When prewarmed to 77°F (25°C), mixed, and placed in accordance with manufacturer's directions, the materials shall cure at temperatures of 45°F (7°C) or above without the application of external heat.

606-2.2 STORAGE. The adhesive components shall not be stored at temperatures over 86°F (30°C).

606-2.3 CAUTION. Installation and use shall be in accordance with the manufacturer's recommended procedures. Avoid prolonged or repeated contact with skin. In case of contact, wash with soap and flush with water. If taken internally, call doctor. Keep away from heat or flame. Avoid vapor. Use in well-ventilated areas. Keep in cool place. Keep away from children.

606-2.4 CHARACTERISTICS. When mixed and cured in accordance with the manufacturer's directions, the materials shall have the following properties shown in Table 1.

SAMPLING, INSPECTION, AND TEST PROCEDURES

606-3.1 TENSILE PROPERTIES. Tests for tensile strength and elongation shall be conducted in accordance with ASTM D 638.

606-3.2 EXPANSION. Tests for coefficients of linear and cubical expansion shall be conducted in accordance with ASTM D 1168, Method B, except that mercury shall be used instead of glycerine. The test specimen(s) shall be mixed in the proportions specified by the manufacturer, and cured in a glass tub approximately 2 inches (50 mm) long by 3/8 inch (9 mm) in diameter. The interior of the tube shall be precoated with a silicone mold release agent. The hardened sample shall be removed from the tube and aged at room temperature for 1 week before conducting the test. The test temperature range shall be from 35°F (2°C) to 140°F (60°C).

606-3.3 TEST FOR DIELECTRIC STRENGTH. Test for dielectric strength shall be conducted in accordance with ASTM D 149 for sealing compounds to be furnished for sealing electrical wires in pavement.

TABLE 1. PROPERTY REQUIREMENTS

Physical or Electrical Property	Minimum	Maximum	ASTM Method
Tensile			
Portland Cement Concrete	1,000 psi (70 kg/sq.cm)		D 638
Bituminous Concrete	500 psi (35 kg/sq.cm)		
Elongation			
Portland Cement Concrete		\ \	D 638
Bituminous Concrete	50%		D 638
Coef. of cub. exp.			
cu. cm/cu. cm/degree C	0.00090	0.00120	D 1168
Coef. of lin. exp.			
cm/cm/degree C	0.00030	0.00040	D 1168
Dielectric strength, short time test			
	350 volts/mil.		D 149
Arc resistance			
	125 secs.		D 495
Adhesion to steel			
	1,000 psi (70 kg/sq.cm)		
Adhesion to portland cement concrete			
	200 psi (14 kg/sq.cm)		
Adhesion to asphalt concrete			
	(no test available)		

\|\ 20% or more (without filler) for formulations to be supplied for areas subject to freezing.

606-3.4 TEST FOR ARC RESISTANCE. Test for arc resistance shall be conducted in accordance with ASTM D 495 for sealing compounds to be furnished for sealing electrical wires in pavement.

606-3.5 TEST FOR ADHESION TO STEEL. The ends of two smooth, clean, steel specimens of convenient size (1 inch by 1 inch by 6 inches) (25 by 25 by 150 mm) would be satisfactory when bonded together with adhesive mixture and allowed to cure at room temperature for a period of time to meet formulation requirements and then tested to failure on a Riehle (or similar) tensile tester. The thickness of adhesive to be tested shall be 1/4 inch (6 mm).

606-3.6 ADHESION TO PORTLAND CEMENT CONCRETE

a. Concrete Test Block Preparation. The aggregate grading shall be as shown in Table 2.

The coarse aggregate shall consist of crushed rock having a minimum of 75% of the particles with at least one fractured face and having a water absorption of not more than 1.5%. The fine aggregate shall consist of crushed sand manufactured from the same parent rock as the coarse aggregate. The concrete shall have a water-cement ratio of 5.5 gallons (21 liters) of water per bag of cement, a cement factor of 6, plus or minus 0.5, bags of cement per cubic yard (0.76 cubic meter) of concrete, and a slump of 2-1/2 inches, plus or minus 1/2 inch (60 mm plus or minus 12 mm). The ratio of fine aggregate to total aggregate shall be approximately 40% by solid volume. The air content shall be 5.0%, plus or minus 0.5%, and it shall be obtained by the addition to the batch of an air-entraining admixture such as vinsol resin. The mold shall be of metal and shall be provided with a metal base plate. Means shall be provided for securing the base plate to the mold. The assembled mold and base plate shall be watertight and shall be oiled with mineral oil before use. The inside measurement of the mold shall be such that several 1-inch by

2-inch by 3-inch (25 by 50 by 75 mm) test blocks can be cut from the specimen with a concrete saw having a diamond blade. The concrete shall be prepared and cured in accordance with ASTM C 192.

TABLE 2. AGGREGATE FOR BOND TEST BLOCKS

Type	Sieve Size	Percent Passing
Coarse Aggregate	3/4 inch (19.0 mm)	97 to 100
	1/2 inch (12.5 mm)	63 to 69
	3/8 inch (9.5 mm)	30 to 36
	No. 4 (4.75 mm)	0 to 3
Fine Aggregate	No. 4 (4.75 mm)	100
	No. 8 (2.36 mm)	82 to 88
	No. 16 (1.18 mm)	60 to 70
	No. 30 (600 micro-m)	40 to 50
	No. 50 (300 micro-m)	16 to 26
	No. 100 (150 micro-m)	5 to 9

b. Bond Test. Prior to use, oven-dry the test blocks to constant weight at a temperature of 220 to 230°F (104°C to 110°C), cool to room temperature, 73.4 plus or minus 3°F (23°C plus or minus 1.6°C), in a desiccator, and clean the surface of the blocks of film or powder by vigorous brushing with a stiff-bristled fiber brush. Two test blocks shall be bonded together on the 1-inch by 3-inch (25 by 75 mm) sawed face with the adhesive mixture and allowed to cure at room temperature for a period of time to meet formulation requirements and then tested to failure in a Riehle (or similar) tensile tester. The thickness of the adhesive to be tested shall be 1/4 inch (6 mm).

606-3.7 COMPATIBILITY WITH ASPHALT CONCRETE. Test for compatibility with asphalt in accordance with ASTM D 5329.

606-3.8 ADHESIVE COMPOUNDS - CONTRACTOR'S RESPONSIBILITY. The Contractor shall furnish the vendor's certified test reports for each batch of material delivered to the project. The report shall certify that the material meets specification requirements and is suitable for use with [portland cement concrete] [bituminous concrete] pavements. The report shall be delivered to the Engineer before permission is granted for use of the material. In addition the Contractor shall obtain a statement from the supplier or manufacturer that guarantees the material for one year. The supplier or manufacturer shall furnish evidence that the material has performed satisfactorily on other projects.

606-3.9 APPLICATION. Adhesive shall be applied on a dry, clean surface, free of grease, dust, and other loose particles. The method of mixing and application shall be in strict accordance with the manufacturer's recommendations.

Installation methods such as surface preparation, mixing ratios, and pot life are as important to satisfactory performance as the properties of the material itself. Therefore, the Engineer may wish to require a manufacturer's representative to be present during the initial installation of the material to ensure the installation procedures are in accordance with the manufacturer's directions.

METHOD OF MEASUREMENT

606-4.1 The adhesive compound shall be measured by the [pound (kg)] [gallon (l)] of adhesive as specified, in place, complete and accepted. When required in the installation of an in-runway lighting system or portion thereof,

no measurement will be made for direct payment of adhesive, as the cost of furnishing and installing shall be considered as a subsidiary obligation in the completion of the installation.

BASIS OF PAYMENT

606-5.1 Payment shall be made, where applicable, at the contract unit price per **[pound (kg)] [gallon (l)]** for the adhesive. This price shall be full compensation for furnishing all materials, and for all preparation, delivering, and application of these materials, and for all labor, equipment, tools, and incidentals necessary to complete the item.

Item P-606-5.1 Adhesive Compound - per [pound (kg)] [gallon (l)]

TESTING REQUIREMENTS

- ASTM C 192 Making and Curing Concrete Compression and Flexure Test Specimens in the Laboratory.
- ASTM D 149 Tests for Dielectric Breakdown Voltage and Dielectric Strength of Electrical Insulating Materials at Commercial Power Frequencies.
- ASTM D 495 Test for High-Voltage, Low-Current, Dry Arc Resistance of Solid Electrical Insulation Materials
- ASTM D 638 Test for Tensile Properties of Plastics
- ASTM D 1168 Test for Hydrocarbon Waxes Used for Electrical Insulation
- ASTM D 5329 Joint Sealants, Hot-poured, for Concrete and Asphalt Pavements

END OF ITEM P-606

ITEM P-609 SEAL COATS AND BITUMINOUS SURFACE TREATMENTS

DESCRIPTION

GENERAL NOTE: Although this type of surface sealant is approved for use on general aviation airports, we remind the user that this method of treatment may leave excessive amounts of loose aggregate on the surface of the pavement.

609-1.1 This item shall consist of a bituminous surface treatment as a wearing course composed of [a single application][multiple applications] of bituminous material and aggregate cover placed on the prepared primed base or properly cured wearing surface, in accordance with these specifications, and shall conform to the dimensions and typical cross section shown on the plans.

609-1.2 QUANTITIES OF MATERIALS PER SQUARE YARD. The approximate amounts of materials per square yard (square meter) for the bituminous surface treatment shall be as provided in Table 1 for the treatment specified on the plans or in the special provision. The exact amounts to be used shall be determined by the Engineer.

TABLE 1. QUANTITIES OF MATERIALS

Application No.	Quantity of Aggregate lb/sq yd (kg/sq m)	Quantity of Asphalt gal/sq yd (l/sq m)	Type of Asphalt ¹
1	40-50 (21.7-27.1)	0.35-0.45 (1.58-20.3)	Asphalt Cement
		0.40-0.50 (1.81-2.26)	Emulsified Asphalt
2	20-25 (10.9-13.6)	0.15-0.25 (0.68-1.13)	Asphalt Cement
		0.20-0.35 (0.90-1.58)	Emulsified Asphalt
3	15-20 (8.1-10.9)	0.15-0.20 (0.68-0.90)	Emulsified Asphalt

¹ See Table 3 for grades of asphalt and spraying temperatures.

The quantities of asphalt shown in Table 1 cover the average range of conditions that include primed granular bases and old pavement surfaces. The quantities and types of materials should take into consideration local conditions and experience.

The lower application rates shown in Table 1 should be used for aggregate having gradations on the fine side of the specified limits. The higher application rates should be used for aggregate having gradations on the coarse side of the specified limits.

The asphalt content selected should reflect the condition of the pavement. If the pavement is highly oxidized, badly cracked, or coarse more asphalt should be used.

MATERIALS

609-2.1 AGGREGATE MATERIALS. The aggregate material shall be either crushed stone, crushed gravel, or crushed slag. The cover material shall be screenings; sand may be used when specified.

If the material is to be crushed stone, it shall be manufactured from sound, hard, durable rock of accepted quality and crushed to specification size. All strata, streaks, and pockets of clay, dirt, sandstone, soft rock, or other unsuitable material accompanying the sound rock shall be discarded and not allowed to enter the crusher.

If the material is to be crushed gravel, it shall consist of hard, durable, fragments of stone or gravel of accepted quality and crushed to specification size. All strata, streaks, and pockets of sand, excessively fine gravel, clay, or other unsuitable material including all stones, rocks, and boulders of inferior quality shall be discarded and not allowed to enter the crusher. The crushing of the gravel shall result in a product in which the material retained on the separate No. 4, 3/8 inch, and 1/2 inch (4.75 mm, 9 mm, and 12 mm) sieves shall have at least 75% of particles with at least one fractured face.

Crushed slag shall be air-cooled, blast furnace slag, reasonably uniform in density and quality, and shall weigh not less than 70 pounds per cubic foot (1.12 mg/cubic meter) as determined by ASTM C 29.

The crushed aggregate shall not contain more than 8%, by weight, of elongated or flat pieces and shall be free from wood, roots, vegetable, organic, or other extraneous matter. The crushed coarse aggregate shall have a percentage of wear not more than 40 at 500 revolutions, as determined by ASTM C 131.

The aggregate shall show no evidence of disintegration or show a total loss greater than 12% when subjected to five cycles of the sodium sulphate accelerated soundness test specified in ASTM C 88.

The crushed aggregate for the applications shall meet the requirements for gradation given in Table 2 when tested in accordance with ASTM C 136.

TABLE 2. REQUIREMENTS FOR GRADATION OF AGGREGATE

Aggregate for first application	
Sieve Designation (square openings)	Percentage by Weight Passing Sieves
1 inch (25.0 mm)	100
3/4 inch (19.0 mm)	90-100
1/2 inch (12.5 mm)	20-55
3/8 inch (9.5 mm)	0-15
No. 4 (4.75 mm)	0-5
Aggregate for second application	
Sieve Designation (square openings)	Percentage by Weight Passing Sieves
1/2 inch (12.5 mm)	100
3/8 inch (9.5 mm)	85-100
No. 4 (4.75 mm)	10-30
No. 8 (2.36 mm)	0-10
No. 16 (1.18 mm)	0-5
Aggregate for third application	
Sieve Designation (square openings)	Percentage by Weight Passing Sieves
3/8 inch (9.5 mm)	100
1/4 inch (6.2 mm)	90-100
No. 4 (4.75 mm)	60-85
No. 8 (2.36 mm)	0-25
No. 16 (1.18 mm)	0-5
No. 200 (0.075 mm)	0-2

The gradations in the table represent the limits that shall determine suitability of aggregate for use for the specified applications from the sources of supply. The final gradations decided on, within the limits designated in the table, shall be uniformly graded from coarse to fine.

The cover aggregate used in the third application shall be a light-colored material whose color and reflectivity shall be approved by the Engineer.

The aggregate to be used shall show no evidence of stripping or swell when tested in accordance with AASHTO T 182. The use of antistrip agents for the control of stripping shall be used if necessary.

609-2.2 BITUMINOUS MATERIAL. The types, grades, controlling specifications, and application temperatures for the bituminous materials are shown in Table 3. The Engineer shall designate the specific material to be used.

TABLE 3. BITUMINOUS MATERIALS

Type and Grade	Specification	Spraying Temperature ¹	
		Deg. F	Deg. C
Asphalt Cement			
AC 2.5, AC-5	ASTM D 3381	275+	135+
AR-1000, 2000	ASTM D 3381	280+	140+
120-150, 200-300	ASTM D 946	270+	130+
Emulsified Asphalt			
RS-1	ASTM D 977	70-140	20-60
RS-2	ASTM D 977	125-175	50-80
MS-1, HFMS-1	ASTM D 977	70-160	20-70
CRS-1	ASTM D 2397	125-175	50-80
CRS-2	ASTM D 2397	125-175	50-80

¹ The maximum temperature for asphalt cements shall be below that at which fogging occurs.

CONSTRUCTION METHODS

609-3.1 WEATHER LIMITATIONS. Bituminous material shall be applied only when the existing surface is dry and the atmospheric temperature is above 60°F (15°C). No material shall be applied when rain is imminent or when dust or sand is blowing.

609-3.2 OPERATION OF PITS AND QUARRIES. The aggregate material shall be obtained from sources approved by the engineer. The Contractor shall make all necessary arrangements for obtaining the material, and all work involved in clearing and stripping pits or quarries and handling unsuitable material shall be performed by the Contractor at his/her own expense. The material in the pits shall be handled so that a uniform and satisfactory product shall be secured. Unless otherwise directed, pits shall be adequately drained and shall be left in a neat and presentable condition with all slopes dressed uniformly. Quarries shall be left as neat and presentable as practicable.

609-3.3 EQUIPMENT AND TOOLS. The Contractor shall furnish all equipment, tools, and machines necessary for the performance of the work.

a. Pressure Distributor. The distributor shall be designed, equipped, maintained, and operated so that bituminous material at even heat may be applied uniformly on variable widths of surface at the specified rate. The allowable variation from the specified rate shall not exceed 10 percent. Distributor equipment shall include a tachometer, pressure gages, volume-measuring devices or a calibrated tank, and a thermometer for measuring temperatures of tank contents. The distributor shall be self-powered and shall be equipped with a power unit for the pump and full circulation spray bars adjustable laterally and vertically.

b. Aggregate Spreader. The aggregate spreader shall be a self-propelled mechanical spreader or truck-attached mechanical spreader capable of uniformly distributing aggregate at the specified rates.

c. **Roller.** The roller shall be a pneumatic-tired roller with an effective rolling width of at least 60 inches (152 cm) and capable of exerting a minimum contact pressure of 40 pounds per square inch (280,000 newtons per square meter).

d. **Power Broom.** A power broom and/or blower shall be provided for removing loose material from the surface to be treated.

609-3.4 PREPARING UNDERLYING COURSE. The surface of the underlying course shall be prepared, shaped, and conditioned to a uniform grade and section, as shown on the plans and as specified. Loose dirt and other objectionable material shall be removed from the surface.

On those type of bases where a prime coat is required and specified, the prime shall be applied and satisfactorily cured before starting the bituminous surface treatment.

When specified, the Contractor shall be required to patch, with premixed material, any holes or other malformations deviating from the true cross section and grade. The premixed material shall be made of the bituminous material specified in the proposal or plans and prepared by the method as directed by the Engineer. All small patches shall be thoroughly hand tamped while the large patches shall be rolled with a power or pneumatic roller.

609-3.5 APPLICATION OF BITUMINOUS MATERIAL. Bituminous material shall be applied upon the properly prepared surface at the rate and temperature specified using a pressure distributor to obtain uniform distribution at all points. To insure proper drainage, the strips shall begin along the centerline of the pavement on a crowned section or on the high side of the pavement with a one-way slope. During all applications, the surfaces of adjacent structures shall be protected in such manner as to prevent their being spattered or marred. Bituminous materials shall not be discharged into borrow pits or gutters or upon the airport area.

609-3.6 APPLICATION OF AGGREGATE MATERIAL. Immediately after the application of the bituminous material or when directed, the aggregates at the rate specified for each designated application shall be spread uniformly over the bituminous material. Trucks spreading aggregate shall be operated backward so that the bituminous material will be covered before the truck wheels pass over it. The aggregate shall be spread in the same width of application as the bituminous material and shall not be applied in such thickness as to cause blanketing. Back-spotting or sprinkling of additional aggregate material, and pouring additional bituminous material over areas that show up having insufficient cover or bitumen, shall be done by hand whenever necessary. Additional spreading of aggregate material shall be done by means of a motor-patrol grader equipped with broom moldboard, a broom drag, or a power broom, as directed by the Engineer.

Immediately after spreading each application, the aggregate shall be rolled. The rolling shall be continued until no more aggregate material can be worked into the surface. In the construction of the second and third application, blading with the wire-broom moldboard attachment or broom dragging shall begin as soon as possible after the rolling has started and after the surface has set sufficiently to prevent excessive marking. Further blading and rolling on the strip being placed and on adjacent strips previously placed, shall be done as often as necessary to keep the aggregate material uniformly distributed. These operations shall be continued until the surface is evenly covered and cured to the satisfaction of the Engineer.

Succeeding applications shall not be applied until the preceding application has set and in no case until at least 24 hours have elapsed. If dust, dirt, or other foreign matter accumulates on the surface between the applications, the Contractor shall be required to sweep and clean the surface as specified herein. The bituminous material and the aggregate shall be spread upon the clean and properly cured surface and handled as required. Extreme care shall be taken in all applications to avoid brooming or tracking dirt or any foreign matter on any portion of the pavement surface under construction.

All surplus aggregate from the final application shall be swept off the surface and removed prior to final acceptance of the work.

609-3.7 CORRECTION OF DEFECTS. Any defects, such as raveling, low centers, lack of uniformity, or other imperfections caused by faulty workmanship, shall be corrected immediately to the satisfaction of the Engineer.

All defective materials resulting from over-heating, improper handling, or application shall be removed by the Contractor and replaced with approved materials as provided for in these specifications.

609-3.8 BITUMINOUS MATERIAL CONTRACTOR'S RESPONSIBILITY. Samples of the bituminous materials that the Contractor proposes to use, together with a statement as to their source and character, shall be submitted and approval obtained before use of such materials begins.

The Contractor shall furnish vendor's certified test reports for each carload, or equivalent, of bitumen shipped to the project. The report shall be delivered to the Engineer before permission is granted for use of the material. The furnishing of the vendor's certified test report for the bituminous material shall not be interpreted as a basis for final acceptance. All such test reports shall be subject to verification by testing sample materials as received for use on the project.

609-3.9 FREIGHT AND WEIGH BILLS. Before the final estimate is allowed the Contractor shall file with the Engineer receipted bills where railroad shipments are made, and certified weight bills when materials are received in any other manner, of the bituminous and covering materials actually used in the construction covered by the contract. The Contractor shall not remove bituminous material from the tank car or storage tank until the initial outage and temperature measurements have been taken by the Engineer, nor shall the car or tank be released until the final outage has been taken by the Engineer.

Copies of all freight bills and weigh bills shall be furnished to the Engineer during the progress of the work.

METHOD OF MEASUREMENT

609-4.1 The bituminous material shall be measured by the [gallon(liter)][ton (kg)]. Volume shall be corrected to the volume at 60°F (15°C) in accordance with ASTM D 1250 for cutback asphalt and Table IV-3 of The Asphalt Institute's Manual MS-6 for emulsified asphalt. Water added to emulsified asphalt will not be measured for payment.

609-4.2 The quantity of aggregate materials for the first application to be paid for shall be the number of tons (kg) of aggregate used for the accepted work.

609-4.3 The quantity of aggregate material for the second application to be paid for shall be the number of tons (kg) of aggregate used for the accepted work.

609-4.4 The quantity of aggregate material for the third application to be paid for shall be the number of tons (kg) of aggregate used for the accepted work.

BASIS OF PAYMENT

609-5.1 Payment shall be made at the contract unit price per [gallon][ton] for bituminous material for surface treatment and per ton for the first, second and third aggregate application. These prices shall be full compensation for furnishing all materials and for all preparation, hauling and application of the materials, and for all labor, equipment, tools, and incidentals necessary to complete the item.

Payment will be made under:

Item P-609-5.1	Bituminous Material—per [gallon (liter)][ton (kg)]
Item P-609-5.2	First Application Aggregate—per ton (kg)
Item P-609-5.3	Second Application Aggregate—per ton (kg)
Item P-609-5.4	Third Application Aggregate—per ton (kg)

TESTING REQUIREMENTS

ASTM C 29	Unit Weight of Aggregate
ASTM C 88	Soundness of Aggregates by Use of Sodium Sulfate or Magnesium Sulfate
ASTM C 131	Resistance to Abrasion of Small Size Coarse Aggregate by Use of the Los Angeles Machine
ASTM C 136	Sieve Analysis of Fine and Coarse Aggregates
AASHTO T 182	Coating and Stripping of Bitumen-Aggregate Mixtures

MATERIAL REQUIREMENTS

ASTM D 946	Penetration-Graded Asphalt-Cement for Use in Pavement Construction
ASTM D 977	Emulsified Asphalt
ASTM D 1250	Petroleum Measurement Tables
ASTM D 2397	Cationic Emulsified Asphalt
ASTM D 3381	Viscosity-Graded Asphalt-Cement for Use in Pavement Construction
Asphalt Institute Manual MS-6 Table IV-3	Asphalt Pocketbook of Useful Information (Temperature-Volume Corrections for Emulsified Asphalts)

END OF ITEM P-609

ITEM P-610 STRUCTURAL PORTLAND CEMENT CONCRETE

DESCRIPTION

610-1.1 This item shall consist of **[plain][reinforced]** structural portland cement concrete, prepared and constructed in accordance with these specifications, at the locations and of the form and dimensions shown on the plans.

MATERIALS

610-2.1 GENERAL. Only approved materials, conforming to the requirements of these specifications, shall be used in the work. They may be subjected to inspection and tests at any time during the progress of their preparation or use. The source of supply of each of the materials shall be approved by the Engineer before delivery or use is started. Representative preliminary samples of the materials shall be submitted by the Contractor, when required, for examination and test. Materials shall be scored and handled to insure the preservation of their quality and fitness for use and shall be located to facilitate prompt inspection. All equipment for handling and transporting materials and concrete must be clean before any material or concrete is placed therein.

In no case shall the use of pit-run or naturally mixed aggregates be permitted. Naturally mixed aggregate shall be screened and washed, and all fine and coarse aggregates shall be stored separately and kept clean. The mixing of different kinds of aggregates from different sources in one storage pile or alternating batches of different aggregates will not be permitted.

Aggregates shall be tested for deleterious reactivity with alkalis in the cement that may cause excessive expansion of the concrete. Acceptance of aggregates shall be based upon satisfactory evidence furnished by the Contractor that the aggregates, combined with other mixture constituents, do not produce excessive expansion in the concrete. This evidence shall include service records of concrete of comparable properties under similar conditions or exposure and certified records of tests by a testing laboratory that meets the requirements of ASTM C 1077. Tests shall be made in accordance with ASTM C 1260. Test specimens shall be produced using all components (e.g. coarse aggregate, fine aggregate, cement and fly ash...) to be included in the produced concrete. If the mean expansion of the test specimens, tested in accordance with ASTM C 1260, does not exceed 0.10 % at 16 days from casting the aggregates shall be accepted. If the mean expansion at 16 days is greater than 0.10% but less than 0.15%, the aggregate may be accepted based upon satisfactory service records and acceptance of the aggregate by a State Highway Department specifically addressing Alkali-Silica Reactivity. If the expansion is greater than 0.15%, the aggregate shall not be accepted for use.

610-2.2 COARSE AGGREGATE. The coarse aggregate for concrete shall meet the requirements of ASTM C 33. Crushed stone aggregate shall have a durability factor, as determined by ASTM C 666, greater than or equal to 95. The Engineer may consider and reserve final approval of other State classification procedures addressing aggregate durability.

Coarse aggregate shall be well graded from coarse to fine and shall meet one of the gradations shown in Table 1, using ASTM C 136.

610-2.3 FINE AGGREGATE. The fine aggregate for concrete shall meet the requirements of ASTM C 33.

The fine aggregate shall be well graded from fine to coarse and shall meet the requirements of Table 2 when tested in accordance with ASTM C 136:

TABLE 1. GRADATION FOR COARSE AGGREGATE

Sieve Designation (square openings)	Percentage by Weight Passing Sieves						
	2"	1-1/2"	1"	3/4"	1/2"	3/8"	No.4
No. 4 to 3/4 in. (4.75-19.0 mm)			100	90-100		20-55	0-10
No. 4 to 1 in. (4.75-25.0 mm)		100	90-100		25-60		0-10
No. 4 to 1-1/2 in. (4.75-38.1 mm)	100	95-100		35-70		10-30	0-5

TABLE 2. GRADATION FOR FINE AGGREGATE

Sieve Designation (square openings)	Percentage by Weight Passing Sieves
3/8 inch (9.5 mm)	100
No. 4 (4.75 mm)	95-100
No. 16 (1.18 mm)	45-80
No. 30 (0.60 mm)	25-55
No. 50 (0.30 mm)	10-30
No. 100 (0.15 mm)	2-10

Blending will be permitted, if necessary, in order to meet the gradation requirements for fine aggregate. Fine aggregate deficient in the percentage of material passing the No. 50 mesh sieve may be accepted, provided that such deficiency does not exceed 5% and is remedied by the addition of pozzolanic or cementitious materials other than portland cement, as specified in 610-2.6 on admixtures, in sufficient quantity to produce the required workability as approved by the Engineer.

610-2.4 CEMENT. Cement shall conform to the requirements of [] Type [].

The Engineer shall specify one of the following: ASTM C 150 - Type I, IA, II, IIA, III, IIIA; ASTM C 595 - Type IP, IP-A, IS, IS-A.

The Contractor shall furnish vendors' certified test reports for each carload, or equivalent, of cement shipped to the project. The report shall be delivered to the Engineer before permission to use the cement is granted. All such test reports shall be subject to verification by testing sample materials received for use on the project.

610-2.5 WATER. The water used in concrete shall be free from sewage, oil, acid, strong alkalies, vegetable matter, and clay and loam. If the water is of questionable quality, it shall be tested in accordance with AASHTO T 26.

610-2.6 ADMIXTURES. The use of any material added to the concrete mix shall be approved by the Engineer. Before approval of any material, the Contractor shall be required to submit the results of complete physical and chemical analyses made by an acceptable testing laboratory. Subsequent tests shall be made of samples taken by the Engineer from the supply of the material being furnished or proposed for use on the work to determine whether the admixture is uniform in quality with that approved.

Pozzolanic admixtures shall be fly ash or raw or calcined natural pozzolons meeting the requirements of ASTM C 618.

Air-entraining admixtures shall meet the requirements of ASTM C 260. Air-entraining admixtures shall be added at the mixer in the amount necessary to produce the specified air content.

Water-reducing, set-controlling admixtures shall meet the requirements of ASTM C 494, Type A, water-reducing or Type D, water-reducing and retarding. Water-reducing admixtures shall be added at the mixer separately from air-entraining admixtures in accordance with the manufacturer's printed instructions.

610-2.7 PREMOLDED JOINT MATERIAL. Premolded joint material for expansion joints shall meet the requirements of ASTM [].

The Engineer shall designate either ASTM D 1751 or ASTM D 1752.

610-2.8 JOINT FILLER. The filler for joints shall meet the requirements of Item P-605, unless otherwise specified in the proposal.

610-2.9 STEEL REINFORCEMENT. Reinforcing shall consist of [] conforming to the requirements of [].

The Engineer shall designate one of the following:

Welded Steel Wire Fabric	ASTM A 185
Welded Deformed Steel Fabric	ASTM A 497
Bar Mats	ASTM A 184 or A 704

Delete this section when not applicable to the project.

610-2.10 COVER MATERIALS FOR CURING. Curing materials shall conform to one of the following specifications:

Waterproof paper for curing concrete	ASTM C 171
Polyethylene Sheeting for Curing Concrete	ASTM C 171
Liquid Membrane-Forming Compounds for Curing Concrete	ASTM C 309, Type 2

CONSTRUCTION METHODS

610-3.1 GENERAL. The Contractor shall furnish all labor, materials, and services necessary for, and incidental to, the completion of all work as shown on the drawings and specified herein. All machinery and equipment owned or controlled by the Contractor, which he proposes to use on the work, shall be of sufficient size to meet the requirements of the work, and shall be such as to produce satisfactory work; all work shall be subject to the inspection and approval of the Engineer.

610-3.2 CONCRETE COMPOSITION. The concrete shall develop a compressive strength of [] psi in 28 days as determined by test cylinders made in accordance with ASTM C 31 and tested in accordance with ASTM C 39. The concrete shall contain not less than 470 pounds of cement per cubic yard (280 kg per cubic meter). The concrete shall contain 5 percent of entrained air, plus or minus 1 percent, as determined by ASTM C 231 and shall have a slump of not more than 4 inches (10 cm) as determined by ASTM C 143.

The Engineer shall designate the compressive strength. The minimum allowable strength is 3000 psi (20670 kg).

610-3.3 ACCEPTANCE SAMPLING AND TESTING. Concrete for each structure will be accepted on the basis of the compressive strength specified in paragraph 3.2. The concrete shall be sampled in accordance with ASTM C 172. Compressive strength specimens shall be made in accordance with ASTM C 31 and tested in accordance with ASTM C 39.

Concrete cylindrical test specimens shall be made in accordance with ASTM C 31 and tested in accordance with ASTM C 39. The Contractor shall cure and store the test specimens under such conditions as directed. The Engineer will make the actual tests on the specimens at no expense to the Contractor.

Depending upon the project size and number of structures per day, it may be necessary to determine a Lot size and test frequency for acceptance of concrete under Item P-610.

610-3.4 PROPORTIONING AND MEASURING DEVICES. When package cement is used, the quantity for each batch shall be equal to one or more whole sacks of cement. The aggregates shall be measured separately by weight. If aggregates are delivered to the mixer in batch trucks, the exact amount for each mixer charge shall be contained in each batch compartment. Weighing boxes or hoppers shall be approved by the Engineer and shall provide means of regulating the flow of aggregates into the batch box so that the required and exact weight of aggregates can be readily obtained.

610-3.5 CONSISTENCY. The consistency of the concrete shall be checked by the slump test specified in ASTM C 143.

610-3.6 MIXING. Concrete may be mixed at the construction site, at a central point, or wholly or in part in truck mixers. The concrete shall be mixed and delivered in accordance with the requirements of ASTM C 94.

610-3.7 MIXING CONDITIONS. The concrete shall be mixed only in quantities required for immediate use. Concrete shall not be mixed while the air temperature is below 40°F (4°C) without permission of the Engineer. If permission is granted for mixing under such conditions, aggregates or water, or both, shall be heated and the concrete shall be placed at a temperature not less than 50°F (10°C) nor more than 100°F (38°C). The Contractor shall be held responsible for any defective work, resulting from freezing or injury in any manner during placing and curing, and shall replace such work at his/her expense.

Retempering of concrete by adding water or any other material shall not be permitted.

The delivery of concrete to the job shall be in such a manner that batches of concrete will be deposited at uninterrupted intervals.

610-3.8 FORMS. Concrete shall not be placed until all the forms and reinforcements have been inspected and approved by the Engineer. Forms shall be of suitable material and shall be of the type, size, shape, quality, and strength to build the structure as designed on the plans. The forms shall be true to line and grade and shall be mortar-tight and sufficiently rigid to prevent displacement and sagging between supports. The Contractor shall bear responsibility for their adequacy. The surfaces of forms shall be smooth and free from irregularities, dents, sags, and holes.

The internal ties shall be arranged so that, when the forms are removed, no metal will show in the concrete surface or discolor the surface when exposed to weathering. All forms shall be wetted with water or with a non-staining mineral oil, which shall be applied shortly before the concrete is placed. Forms shall be constructed so that they can be removed without injuring the concrete or concrete surface. The forms shall not be removed before the expiration of at least 30 hours from vertical faces, walls, slender columns, and similar structures; forms supported by falsework under slabs, beams, girders, arches, and similar construction shall not be removed until tests indicate that at least 60% of the design strength of the concrete has developed.

610-3.9 PLACING REINFORCEMENT. All reinforcement shall be accurately placed, as shown on the plans, and shall be firmly held in position during concreting. Bars shall be fastened together at intersections. The reinforcement shall be supported by approved metal chairs. Shop drawings, lists, and bending details shall be supplied by the Contractor when required.

610-3.10 EMBEDDED ITEMS. Before placing concrete, any items that are to be embedded shall be firmly and securely fastened in place as indicated. All such items shall be clean and free from coating, rust, scale, oil, or any foreign matter. The embedding of wood shall be avoided. The concrete shall be spaded and consolidated around and against embedded items.

610-3.11 PLACING CONCRETE. All concrete shall be placed during daylight, unless otherwise approved. The concrete shall not be placed until the depth and character of foundation, the adequacy of forms and falsework, and the placing of the steel reinforcing have been approved. Concrete shall be placed as soon as practical after mixing and in no case later than 1 hour after water has been added to the mix. The method and manner of placing shall be such to avoid segregation and displacement of the reinforcement. Troughs, pipes, and chutes shall be used as an aid in placing concrete when necessary. Dropping the concrete a distance of more than 5 feet (1.5 m), or depositing a large quantity at one point, will not be permitted. Concrete shall be placed upon clean, damp surfaces, free from running water, or upon properly consolidated soil.

The concrete shall be compacted with suitable mechanical vibrators operating within the concrete. When necessary, vibrating shall be supplemented by hand spading with suitable tools to assure proper and adequate compaction. Vibrators shall be manipulated so as to work the concrete thoroughly around the reinforcement and embedded fixtures and into corners and angles of the forms. The vibration at any joint shall be of sufficient duration to accomplish compaction but shall not be prolonged to the point where segregation occurs. Concrete deposited under water shall be carefully placed in a compact mass in its final position by means of a tremie, a closed bottom dump bucket, or other approved method and shall not be disturbed after being deposited.

610-3.12 CONSTRUCTION JOINTS. When the placing of concrete is suspended, necessary provisions shall be made for joining future work before the placed concrete takes its initial set. For the proper bonding of old and new concrete, such provisions shall be made for grooves, steps, keys, dovetails, reinforcing bars or other devices as may be prescribed. The work shall be arranged so that a section begun on any day shall be finished during daylight of the same day. Before depositing new concrete on or against concrete that has hardened, the surface of the hardened concrete shall be cleaned by a heavy steel broom, roughened slightly, wetted, and covered with a neat coating of cement paste or grout.

610-3.13 EXPANSION JOINTS. Expansion joints shall be constructed at such points and of such dimensions as may be indicated on the drawings. The premolded filler shall be cut to the same shape as that of the surfaces being joined. The filler shall be fixed firmly against the surface of the concrete already in place in such manner that it will not be displaced when concrete is deposited against it.

610-3.14 DEFECTIVE WORK. Any defective work discovered after the forms have been removed shall be immediately removed and replaced. If any dimensions are deficient, or if the surface of the concrete is bulged, uneven, or shows honeycomb, which in the opinion of the Engineer cannot be repaired satisfactorily, the entire section shall be removed and replaced at the expense of the Contractor.

610-3.15 SURFACE FINISH. All exposed concrete surfaces shall be true, smooth, and free from open or rough spaces, depressions, or projections. The concrete in horizontal plane surfaces shall be brought flush with the finished top surface at the proper elevation and shall be struck-off with a straightedge and floated. Mortar finishing

shall not be permitted, nor shall dry cement or sand-cement mortar be spread over the concrete during the finishing of horizontal plane surfaces.

When directed, the surface finish of exposed concrete shall be a rubbed finish. If forms can be removed while the concrete is still green, the surface shall be pointed and wetted and then rubbed with a wooden float until all irregularities are removed. If the concrete has hardened before being rubbed, a carborundum stone shall be used to finish the surface. When approved, the finishing can be done with a rubbing machine.

610-3.16 CURING AND PROTECTION. All concrete shall be properly cured and protected by the Contractor. The work shall be protected from the elements, flowing water, and from defacement of any nature during the building operations. The concrete shall be cured as soon as it has sufficiently hardened by covering with an approved material. Water-absorptive coverings shall be thoroughly saturated when placed and kept saturated for a period of at least 3 days. All curing mats or blankets shall be sufficiently weighted or tied down to keep the concrete surface covered and to prevent the surface from being exposed to currents of air. Where wooden forms are used, they shall be kept wet at all times until removed to prevent the opening of joints and drying out of the concrete. Traffic shall not be allowed on concrete surfaces for 7 days after the concrete has been placed.

610-3.17 DRAINS OR DUCTS. Drainage pipes, conduits, and ducts that are to be encased in concrete shall be installed by the Contractor before the concrete is placed. The pipe shall be held rigidly so that it will not be displaced or moved during the placing of the concrete.

610-3.18 COLD WEATHER PROTECTION. When concrete is placed at temperatures below 40°F (4°C), the Contractor shall provide satisfactory methods and means to protect the mix from injury by freezing. The aggregates, or water, or both, shall be heated in order to place the concrete at temperatures between 50°F and 100°F (10°C and 38°C).

Calcium chloride may be incorporated in the mixing water when directed by the Engineer. Not more than 2 pounds (908 grams) of Type 1 nor more than 1.6 pounds (726 grams) of Type 2 shall be added per bag of cement. After the concrete has been placed, the Contractor shall provide sufficient protection such as cover, canvas, framework, heating apparatus, etc., to enclose and protect the structure and maintain the temperature of the mix at not less than 50°F (10°C) until at least 60% of the designed strength has been attained.

610-3.19 FILLING JOINTS. All joints that require filling shall be thoroughly cleaned, and any excess mortar or concrete shall be cut out with proper tools. Joint filling shall not be started until after final curing and shall be done only when the concrete is completely dry. The cleaning and filling shall be carefully done with proper equipment and in a manner to obtain a neat looking joint free from excess filler.

METHOD OF MEASUREMENT

610-4.1 Portland cement concrete shall be measured by the number of cubic yards (cubic meters) of concrete complete in place and accepted. In computing the yardage of concrete for payment, the dimensions used shall be those shown on the plans or ordered by the Engineer. No measurements or other allowances shall be made for forms, falsework, cofferdams, pumping, bracing, expansion joints, or finishing of the concrete. No deductions in yardage shall be made for the volumes of reinforcing steel or embedded items.

610-4.2 Reinforcing steel shall be measured by the calculated theoretical number of pounds (kg) placed, as shown on the plans, complete in place and accepted. The unit weight used for deformed bars shall be the weight of plain square or round bars of equal nominal size. If so indicated on the plans, the poundage to be paid for shall include the weight of metal pipes and drains, metal conduits and ducts, or similar materials indicated and included.

BASIS OF PAYMENT

610-5.1 Payment shall be made at the contract unit price per cubic yard (cubic meter) for structural portland cement concrete and per pound (kg) for reinforcing steel. These prices shall be full compensation for furnishing all materials and for all preparation, delivery and installation of these materials, and for all labor, equipment, tools, and incidentals necessary to complete the item.

Payment will be made under:

- Item P-610-5.1 Structural Portland Cement Concrete --- per cubic yard (cubic meter)
- Item P-610-5.1 Steel Reinforcement -- -per pound (kg)

TESTING REQUIREMENTS

- ASTM C 31 Making and Curing Test Specimens in the Field
- ASTM C 39 Compressive Strength of Cylindrical Concrete Specimens
- ASTM C 136 Sieve Analysis of Fine and Coarse Aggregates
- ASTM C 138 Density (Unit Weight), Yield, and Air Content (Gravimetric) of Concrete
- ASTM C 143 Slump of Hydraulic Cement Concrete
- ASTM C 231 Air Content of Freshly Mixed Concrete by the Pressure Method
- ASTM C 666 Resistance of Concrete to Rapid Freezing and Thawing
- ASTM C 1077 Laboratories Testing Concrete and Concrete Aggregates for Use in Construction and Criteria for Laboratory Evaluation
- ASTM C 1260 Potential Alkali Reactivity of Aggregates (Mortar-Bar Method)

MATERIAL REQUIREMENTS

- ASTM A 184 Specification for Fabricated Deformed Steel Bar or Rod Mats for Concrete Reinforcement
- ASTM A 185 Steel Welded Wire Fabric, Plain, for Concrete Reinforcement
- ASTM A 497 Steel Welded Wire Fabric, Deformed, for Concrete Reinforcement
- ASTM A 615 Deformed and Plain Billet-Steel Bars for Concrete Reinforcement
- ASTM A 704 Welded Steel Plain Bars or Rod Mats for Concrete Reinforcement
- ASTM C 33 Concrete Aggregates
- ASTM C 94 Ready-Mixed Concrete
- ASTM C 150 Portland Cement
- ASTM C 171 Sheet Materials for Curing Concrete
- ASTM C 172 Sampling Freshly Mixed Concrete
- ASTM C 260 Air-Entraining Admixtures for Concrete
- ASTM C 309 Liquid Membrane-Forming Compounds for Curing Concrete

- ASTM C 494 Chemical Admixtures for Concrete
- ASTM C 595 Blended Hydraulic Cements
- ASTM C 618 Coal Fly Ash and Raw or Calcined Natural Pozzolan for Use as a Mineral Admixture in Concrete
- ASTM D 1751 Specification for Preformed Expansion Joint Fillers for Concrete Paving and Structural Construction (Non-extruding and Resilient Bituminous Types)
- ASTM D 1752 Specification for Preformed Sponge Rubber and Cork Expansion Joint Fillers for Concrete Paving and Structural Construction
- AASHTO T 26 Quality of Water to be Used in Concrete

END OF ITEM P-610

ITEM P-620 RUNWAY AND TAXIWAY PAINTING

DESCRIPTION

620-1.1 This item shall consist of the painting of numbers, markings, and stripes on the surface of runways, taxiways, and aprons, in accordance with these specifications and at the locations shown on the plans, or as directed by the Engineer.

MATERIALS

620-2.1 MATERIALS ACCEPTANCE. The Contractor shall furnish manufacturer's certified test reports for materials shipped to the project. The certified test reports shall include a statement that the materials meet the specification requirements. The reports can be used for material acceptance or the Engineer may perform verification testing. The reports shall not be interpreted as a basis for payment. The Contractor shall notify the Engineer upon arrival of a shipment of materials to the site.

620-2.2 PAINT. Paint shall be [Waterborne, Epoxy, Methacrylate, or Solvent-base] in accordance with the requirements of paragraph 620-2.2 []. Paint shall be furnished in [] in accordance with Federal Standard No 595.

The Engineer shall specify paint type(s) and appropriate paragraph number(s). The Engineer shall insert the colors to be used on a project from the following list:

- | | |
|--|---------------|
| White - 37925 | Red - 31136 |
| Yellow - 33538 or 33655 | Black - 37038 |
| Pink - 1 part Red - 31136 to 2 parts White - 37925 | |

Waterborne or solvent base black paint should be used to outline a border at least 6 inches (150 mm) wide around markings on all light colored pavements.

For TT-P-1952E and A-A-2886B paints, the Engineer shall specify the type required. Type I is intended for those locations where slower tracking is not an inconvenience. Type II is intended for locations where faster curing is desirable. Type III requires a more durable resin.

a. WATERBORNE. Paint shall meet the requirements of Federal Specification TT-P-1952E, [Type I, Type II, or Type III].

b. EPOXY. Paint shall be a two component, minimum 99 percent solids type system conforming to the following:

(1) Pigments. Component A. Percent by weight.

(a) White:

Titanium Dioxide, ASTM D 476, type II shall be 18 percent minimum (16.5 percent minimum at 100 percent purity).

(b) Yellow and Colors:

Titanium Dioxide, ASTM D 476, type II shall be 14 to 17 percent.

Organic yellow, other colors, and tinting as required to meet color standard.
Epoxy resin shall be 75 to 79 percent.

(2) Epoxy Content. Component A. The weight per epoxy equivalent, when tested in accordance with ASTM D 1652 shall be the manufacturer's target plus or minus 50.

(3) Amine Number. Component B. When tested in accordance with ASTM D 2074 shall be the manufacturer's target plus or minus 50.

(4) Prohibited Materials. The manufacturer shall certify that the product does not contain mercury, lead, hexavalent chromium, halogenated solvents, nor any carcinogen, as defined in 29 CFR 1910.1200.

(5) Daylight Directional Reflectance:

(a) White: The daylight directional reflectance of the white paint shall not be less than 75 percent (relative to magnesium oxide), when tested in accordance with Federal Test Method Standard No. 141D/GEN, Method 6121.

(b) Yellow: The daylight directional reflectance of the yellow paint shall not be less than 38 percent (relative to magnesium oxide), when tested in accordance with Federal Test Method Standard No. 141D/GEN. The x and y values shall be consistent with the Federal Hegman yellow color standard chart for traffic yellow standard 33538, or shall be consistent with the tolerance listed below:

x .462	x .470	x .479	x .501
y .438	y .455	y .428	y .452

(6) Accelerated Weathering.

(a) Sample Preparation. Apply the paint at a wet film thickness of 0.013 inch (0.33 mm) to four 3 by 6 inch (8 by 15 cm) aluminum panels prepared as described in Federal Test Method Standard No. 141D/GEN, Method 2013. Air dry the sample 48 hours under standard conditions.

(b) Testing Conditions. Test in accordance with ASTM G 15453 using both Ultra Violet (UV-B) Light and condensate exposure, 72 hours total, alternating 4 hour UV exposure at 60 degree C, and 4 hours condensate exposure at 40 degrees C.

(c) Evaluation. Remove the samples and condition for 24 hours under standard conditions. Determine the directional reflectance and color match using the procedures in paragraph 620-2.2b(5) above. Evaluate for conformance with the color requirements.

(7) Volatile Organic Content. Determine the volatile organic content in accordance with 40 CFR Part 60 Appendix A, Method 24.

(8) Dry Opacity. Use Procedure B, Method B of Method 4121 of Federal Test Method Standard No. 141D/GEN. The wet film thickness shall be 0.015 inch (0.12 mm). The minimum opacity for white and colors shall be 0.92.

(9) Abrasion Resistance. Subject the panels prepared in paragraph 620-2.2b(6) to the abrasion test in accordance with ASTM D 968, Method A, except that the inside diameter of the metal guide tube shall be from 0.747 to 0.750 inch (18.97 to 19.05 mm). Five liters of unused sand shall be used for each test panel. The test shall be run on two test panels. [Note: five liters of sand weighs 17.5 lb. (7.94 kg).] Both baked and weathered paint films shall require not less than 150 liters of sand for the removal of the paint films.

(10) Hardness, Shore. Hardness shall be at least 80 when tested in accordance with ASTM D 2240.

c. METHACRYLATE. Paint shall be a two component, minimum 99 percent solids-type system conforming to the following:

(1) Pigments. Component A. Percent by weight.

(a) White:

Titanium Dioxide, ASTM D 476, type II shall be 6 percent minimum.
Methacrylate resin shall be 18 percent minimum.

(b) Yellow and Colors:

Titanium Dioxide, ASTM D 476, type II shall be 6 percent minimum.
Organic yellow, other colors, and tinting as required to meet color standard.
Methacrylate resin shall be 18 percent minimum.

(2) Prohibited Materials. The manufacturer shall certify that the product does not contain mercury, lead, hexavalent chromium, halogenated solvents, nor any carcinogen, as defined in 29 CFR 1910.1200.

(3) Daylight Directional Reflectance:

(a) White: The daylight directional reflectance of the white paint shall not be less than 80 percent (relative to magnesium oxide), when tested in accordance with Federal Test Method Standard No. 141D/GEN, Method 6121.

(b) Yellow: The daylight directional reflectance of the yellow paint shall not be less than 55 percent (relative to magnesium oxide), when tested in accordance with Federal Test Method Standard No. 141D/GEN. The x and y values shall be consistent with the Federal Hegman yellow color standard chart for traffic yellow standard 33538, or shall be consistent with the tolerance listed below:

x .462	x .470	x .479	x .501
y .438	y .455	y .428	y .452

(4) Accelerated Weathering.

(a) Sample Preparation. Apply the paint at a wet film thickness of 0.013 inch (0.33 mm) to four 3 by 6 inch (8 by 15 cm) aluminum panels prepared as described in Method 2013 of Federal Test Method Standard No. 141D/GEN. Air dry the sample 48 hours under standard conditions.

(b) Testing Conditions. Test in accordance with ASTM G 53 154 using both Ultra Violet (UV-B) Light and condensate exposure, 72 hours total, alternating 4 hour UV exposure at 60 degree C, and 4 hours condensate exposure at 40 degrees C.

(c) Evaluation. Remove the samples and condition for 24 hours under standard conditions. Determine the directional reflectance and color match using the procedures in paragraph 620-2.2c(3) above. Evaluate for conformance with the color requirements.

(5) Volatile Organic Content. Determine the volatile organic content in accordance with 40 CFR Part 60 Appendix A, Method 24.

(6) Dry Opacity. Use Procedure B, Method B of Method 4121 of Federal Test Method Standard No. 141D/GEN. The wet film thickness shall be 0.015 inch (0.12 mm). The minimum opacity for white and colors shall be 0.92.

(7) Abrasion Resistance. Subject the panels prepared in paragraph 620-2.2c(4) to the abrasion test in accordance with ASTM D 968, Method A, except that the inside diameter of the metal guide tube shall be from 0.747 to 0.750 inch (18.97 to 19.05 mm). Five liters of unused sand shall be used for each test panel. The test shall

be run on two test panels. [Note: five liters of sand weighs 17.5 lb. (7.94 kg).] Both baked and weathered paint films shall require not less than 150 liters of sand for the removal of the paint films.

(8) Hardness, Shore. Hardness shall be at least 80 when tested in accordance with ASTM D 2240.

d. SOLVENT-BASE. Paint shall meet the requirements of Federal Specification [A-A-2886A Type I or Type II].

TT-P-85 or TT-P-110 should not be used on bituminous pavement.

620-2.3 REFLECTIVE MEDIA. Glass beads shall meet the requirements for []. Glass beads shall be treated with all compatible coupling agents recommended by the manufacturers of the paint and reflective media to ensure adhesion and embedment.

The Engineer should insert all that will be used in the project. When more than one bead type is specified, the plans should indicate the bead type for each marking.

[Federal Specification. TT-B-1325D, Type I, gradation A]

[Federal Specification. TT-B-1325D, Type III]

[Federal Specification. TT-B-1325D, Type IV]

The Engineer should consult with the paint and bead manufacturer on the use of adhesion, flow promoting, and/or flotation additives.

CONSTRUCTION METHODS

620-3.1 WEATHER LIMITATIONS. The painting shall be performed only when the surface is dry and when the surface temperature is at least 45°F (7°C) and rising and the pavement surface temperature is at least 5°F (2.7°C) above the dew point. [Painting operations shall be discontinued when the surface temperature exceeds [] degrees F ([] degrees C.) Markings shall not be applied when the pavement temperature is greater than 120°F.

The Engineer may specify minimum and maximum surface temperatures based on paint manufacturer's recommendations.

620-3.2 EQUIPMENT. Equipment shall include the apparatus necessary to properly clean the existing surface, a mechanical marking machine, a bead dispensing machine, and such auxiliary hand-painting equipment as may be necessary to satisfactorily complete the job.

The mechanical marker shall be an atomizing spray-type or airless type marking machine suitable for application of traffic paint. It shall produce an even and uniform film thickness at the required coverage and shall apply markings of uniform cross sections and clear-cut edges without running or spattering and without over spray.

620-3.3 PREPARATION OF SURFACE. Immediately before application of the paint, the surface shall be dry and free from dirt, grease, oil, laitance, or other foreign material that would reduce the bond between the paint and

the pavement. The area to be painted shall be cleaned by sweeping and blowing or by other methods as required to remove all dirt, laitance, and loose materials without damage to the pavement surface. Use of any chemicals or impact abrasives during surface preparation shall be approved in advance by the Engineer. **[Paint shall not be applied to Portland cement concrete pavement until the areas to be painted are clean of curing material. Sandblasting or high-pressure water shall be used to remove curing materials.]**

The Engineer should specify any additional surface preparation required and should specify the type of surface preparation to be used when existing markings interfere with or would cause adhesion problems with new markings.

620-3.4 LAYOUT OF MARKINGS. The proposed markings shall be laid out in advance of the paint application. The locations of markings to receive glass beads shall be shown on the plans. **[The locations of markings to receive silica sand shall be shown on the plans.]**

Glass beads improve conspicuity and the friction characteristics of markings. When markings are part of an AIP or PFC funded project, at a minimum, the Engineer shall indicate the following locations to receive glass beads:

- 1. All runway and taxiway holding position markings.**
- 2. Runway threshold marking.**
- 3. Runway threshold bar.**
- 4. Runway aiming point marking.**
- 5. Runway designation marking.**
- 6. Runway touchdown zone markings.**
- 7. Runway centerline marking.**
- 8. Taxiway centerline marking.**
- 9. Geographical position marking.**
- 10. Surface painted signs.**

In addition to the minimum list above, the following locations are recommended to receive glass beads:

- 11. Runway side stripes,**
- 12. Taxiway edge markings,**
- 13. Non-movement Area boundary markings,**
- 14. Displaced threshold markings, and**
- 15. Demarcation bar.**

620-3.5 APPLICATION. Paint shall be applied at the locations and to the dimensions and spacing shown on the plans. Paint shall not be applied until the layout and condition of the surface has been approved by the Engineer. The edges of the markings shall not vary from a straight line more than 1/2 inch (12 mm) in 50 feet (15 m) and marking dimensions and spacings shall be within the following tolerances:

Dimension and Spacing	Tolerance
36 inches (910 mm) or less	±1/2 inch (12 mm)
greater than 36 inches to 6 feet (910 mm to 1.85 m)	± 1 inch (25 mm)
greater than 6 feet to 60 feet (1.85 m to 18.3 m)	± 2 inches (51 mm)
greater than 60 feet (18.3 m)	± 3 inches (76 mm)

The paint shall be mixed in accordance with the manufacturer's instructions and applied to the pavement with a marking machine at the rate(s) shown in Table 1. The addition of thinner will not be permitted. A period of [] shall elapse between placement of a bituminous surface course or seal coat and application of the paint.

TABLE 1. APPLICATION RATES FOR PAINT AND GLASS BEADS

Paint Type	Paint Square feet per gallon, ft ² /gal (Square meters per liter, m ² /l)	Glass Beads, Type I, Gradation A Pounds per gallon of paint—lb./gal. (Kilograms per liter of paint—kg/l)	Glass Beads, Type III Pounds per gallon of paint—lb./gal. (Kilograms per liter of paint—kg/l)	Glass Beads, Type IV Pounds per gallon of paint—lb./gal. (Kilograms per liter of paint—kg/l)
*	*	*	*	*

The Engineer shall specify the application rates for paint and glass beads from the following table.

APPLICATION RATES FOR PAINT AND GLASS BEADS FOR TABLE 1

Paint Type	Paint Square feet per gallon, ft ² /gal (Square meters per liter, m ² /l)	Glass Beads, Type I, Gradation A Pounds per gallon of paint—lb./gal. (Kilograms per liter of paint—kg/l)	Glass Beads, Type III Pounds per gallon of paint—lb./gal. (Kilograms per liter of paint—kg/l)	Glass Beads, Type IV Pounds per gallon of paint—lb./gal. (Kilograms per liter of paint—kg/l)
Waterborne	115 ft ² /gal. maximum (2.8 m ² /l)	7 lb./gal. minimum (0.85 kg/l)	10 lb./gal. minimum (1.2 kg/l)	--
Waterborne	90 ft ² /gal. maximum (2.2 m ² /l)	--	--	8 lb./gal. minimum (1.0 kg/l)
Solvent Base	115 ft ² /gal. maximum (2.8 m ² /l)	7 lb./gal. minimum (0.85 kg/l)	10 lb./gal. minimum (1.2kg/l)	--
Solvent Base	90 ft ² /gal. maximum (2.2 m ² /l)	--	--	8 lb./gal. minimum (1.0 kg/l)
Epoxy	90 ft ² /gal. maximum (2.2 m ² /l)	14 lb./gal. minimum (1.7 kg/l)	20 lb./gal. minimum (2.4 kg/l)	15 lb./gal. minimum (1.8kg/l)
Methacrylate	45 ft ² /gal. maximum (1.1 m ² /l)	14 lb./gal. minimum (1.7 kg/l)	20 lb./gal. minimum (2.4 kg/l)	15 lb./gal. minimum (1.8 kg/l)

The Engineer shall specify the time period in order to allow adequate curing of the pavement surface. The Engineer should contact the paint manufacturer to determine the wait period.

Due to the increased surface area to cover, the following should be substituted when painting P-402 Porous Friction Course with waterborne or solvent based paints: "The paint shall be mixed in accordance with the manufacturer's instructions and applied to the pavement with a marking machine from two directions at 75 percent of the rate(s) (e.g. rate/0.75 for paint, 0.75×rate for beads and sand)) shown in Table 1 from each direction."

Markings may be required before paving operations are complete. The Engineer may wish to specify waterborne or solvent-based materials for temporary markings at 30-50 percent of the specified application rates (e.g. rate/0.50). No glass beads are required for temporary markings. A-A-2886A, Type III may be used for temporary markings when reflectorized temporary markings are desired

Glass beads shall be distributed upon the marked areas at the locations shown on the plans to receive glass beads immediately after application of the paint. A dispenser shall be furnished which is properly designed for attachment to the marking machine and suitable for dispensing glass beads. Glass beads shall be applied at the rate(s) shown in Table 1. Glass beads shall not be applied to black paint. Glass beads shall adhere to the cured paint or all marking operations shall cease until corrections are made.

All emptied containers shall be returned to the paint storage area for checking by the Engineer. The containers shall not be removed from the airport or destroyed until authorized by the Engineer.

A 24 to 30 day waiting period is recommended for all types of paints to be used for pavement marking. If the airport operations require pavement marking prior to the recommended waiting period, the paint may be applied in a temporary light coat application. Appropriate modifications to paragraph 3.5 should be included to specify a 25% or 33% application rate for temporary markings. Glass beads are not required for temporary markings. The final application should occur after the waiting period has passed. The final marking application must be at full strength in order to adequately set the glass bead. Avoid specifying a 25-33% first application and then a 66-75% second application. This approach will not adequately set the glass bead.

620-3.6 PROTECTION AND CLEANUP. After application of the paint, all markings shall be protected from damage until the paint is dry. All surfaces shall be protected from excess moisture and/or rain and from disfiguration by spatter, splashes, spillage, or drippings of paint. The Contractor shall remove from the site all debris, waste, loose or unadhered reflective media, and by-products generated by the surface preparation and application operations to the satisfaction of the Engineer. The Contractor shall dispose of these wastes in strict compliance with all applicable state, local, and Federal environmental statutes and regulations.

METHOD OF MEASUREMENT

620-4.1 The quantity of runway and taxiway markings to be paid for shall be [the number of square feet (square meters) of painting and the number of pounds (kilograms) of reflective media] [one complete item in place] performed in accordance with the specifications and accepted by the Engineer.

BASIS OF PAYMENT

620-5.1 Payment shall be made at the respective contract [price per square foot (square meter)] [lump sum price] for runway and taxiway painting [, and [price per pound (kilogram)] [lump sum price] for reflective media. This price shall be full compensation for furnishing all materials and for all labor, equipment, tools, and incidentals necessary to complete the item.

Payment will be made under:

Item P-620-5.1-1 Runway and Taxiway Painting [per square foot (square meter)] [lump sum]

The Engineer should include a pay item for each paint and bead type material specified.

Item P-620-5.1-2 Reflective Media [per pound (kilogram)] [lump sum]

TESTING REQUIREMENTS

- ASTM C 136 Sieve Analysis of Fine and Coarse Aggregates
ASTM C 146 Chemical Analysis of Glass Sand
ASTM C 371 Wire-Cloth Sieve Analysis of Nonplastic Ceramic Powders
ASTM D 92 Test Method for Flash and Fire Points by Cleveland Open Cup
ASTM D 711 No-Pick-Up Time of Traffic Paint
ASTM D 968 Standard Test Methods for Abrasion Resistance of Organic Coatings by Falling Abrasive
ASTM D 1213-54(1975) Test Method for Crushing Resistance of Glass Spheres
ASTM D 1652 Test Method for Epoxy Content of Epoxy Resins
ASTM D 2074 Test Method for Total Primary, Secondary, and Tertiary Amine Values of Fatty Amines by Alternative Indicator Method
ASTM D 2240 Test Method for Rubber Products-Durometer Hardness
ASTM G 15453 Operating Light and Water-Exposure Apparatus (Fluorescent Light Apparatus UV-Condensation Type) for Exposure of Nonmetallic Materials.
Federal Test Method Standard No. 141D/GEN Paint, Varnish, Lacquer and Related Materials; Methods of Inspection, Sampling and Testing

MATERIAL REQUIREMENTS

- ASTM D 476 Specifications for Dry Pigmentary Titanium Dioxide Pigments Products

Code of Federal Regulations	40 CFR Part 60, Appendix A – Definition of Traverse Point Number and Location
Code of Federal Regulations	29 CFR Part 1910.1200 – Hazard Communications
FED SPEC TT-B-1325D	Beads (Glass Spheres) Retroreflective
AASHTO M 247	Glass Beads Used in Traffic Paints
FED SPEC TT-P-1952E	Paint, Traffic and Airfield Marking, Waterborne
Commercial Item Description (CID) A-A-2886B	Paint, Traffic, Solvent Based
FED STD 595	Colors used in Government Procurement

END OF ITEM P-620

Intentionally Left Blank

ITEM P-626 EMULSIFIED ASPHALT SLURRY SEAL SURFACE TREATMENT

DESCRIPTION

626-1.1 This item shall consist of a mixture of emulsified asphalt, mineral aggregate, and water properly proportioned, mixed, and spread on an asphalt prepared underlying course or existing wearing course in accordance with these specifications and shall conform to the dimensions shown on the plans or as directed by the Engineer.

MATERIALS

626-2.1 AGGREGATE. The aggregate shall consist of sound and durable manufactured sand, slag, crusher fines, crushed stone, or a combination thereof. The aggregate shall be clean and free from vegetable matter, dirt, and other deleterious substances. The aggregate shall have a sand equivalent of not less than [45] percent when tested in accordance with ASTM D 2419. The aggregate shall show a loss of not more than [35] percent when tested in accordance with ASTM C 131. The sodium sulfate soundness loss shall not exceed [12] percent, or the magnesium soundness loss shall not exceed [20] percent after 5 cycles when tested in accordance with ASTM C 88. Aggregate shall be 100 percent crushed.

The sand equivalent should not be less than 45. The percent loss when tested under ASTM C 131 should not exceed 35. The sodium sulfate loss should not exceed 12 percent; the magnesium sulfate loss should not exceed 20 percent. In certain specific cases, where aggregates complying with these requirements cannot be economically obtained, aggregates with a higher percentage loss (15 percent using sodium sulfate and 25 percent using magnesium sulfate has been used) or wear may be specified, provided a satisfactory service record under similar conditions of service and exposure has been demonstrated.

The combined aggregate shall conform to the gradation shown in Table 1 when tested in accordance with ASTM C 136 and ASTM C 117.

TABLE 1. GRADATION OF AGGREGATES

Sieve Size	Percent by Weight Passing Sieve			
	Type I	Type II	Type III	Type IA
3/8 in. (9.5 mm)	100	100	100	100
No. 4 (4.75 mm)	100	90 - 100	70 - 90	98 - 100
No. 8 (2.36 mm)	90 - 100	65 - 90	45 - 70	85 - 95
No. 16 (1.18 mm)	65 - 90	45 - 70	28 - 50	50 - 75
No. 30 (600 micro m)	40 - 65	30 - 50	19 - 34	30 - 50
No. 50 (300 micro m)	25 - 42	18 - 30	12 - 25	18 - 35
No. 100 (150 micro m)	15 - 30	10 - 21	7 - 18	10 - 21
No. 200 (75 micro m)	10 - 20	5 - 15	5 - 15	5 - 10
Residual asphalt content percent dry weight of aggregate	10% - 16%	7.5% - 13.5%	6.5% - 12%	9% - 13.5%

Table 1 – Gradation of Aggregates. Projects that have specified coarser aggregate gradations have reported problems with excessive tire wear. A coarser Type I gradation will

provide considerable skid resistance and may be considered for most projects. A finer Type II gradation will provide sufficient friction and will not cause excessive tire wear. Tire wear appears to be related to the amount a material passing the #4 and retained on the #8 sieve. We recommend that no more than 10-15% be retained on the #8 sieve.

The job mix formula (mix design) shall be run using aggregate within the gradation band for the desired type shown in Table 1. Once the mix design has been submitted and approved, the aggregate used on the project shall not vary by more than the tolerances shown in Table 2. At no time shall the aggregate used go out of the gradation bands in Table 1.

The aggregate will be accepted at the job location or stockpile. The stockpile will be accepted based on five gradation tests samples in accordance with ASTM D 75. If the average of the five tests is within the gradation tolerances, then the materials will be accepted. If the tests show the material to be out of tolerance, the Contractor will be given the choice either to remove the material or blend other aggregates with the stockpile material to bring it into specification. Materials used in blending shall meet the quality tests before blending and shall be blended in a manner to produce a consistent gradation. This blending may require a new mix design.

Screening shall be required at the project stockpile site if there are any problems created by having oversize materials in the mix.

Precautions shall be taken to prevent segregation of the aggregate in storing and handling. The stockpile shall be kept in areas that drain readily.

The aggregate gradation band applicable to a project shall be specified by the Engineer from the gradations shown in Table 1. The appropriate gradation shall be shown on the plans. Type I gradation is used for maximum crack penetration and is usually used in low density traffic areas where the primary objective is sealing. Type II and Type III gradations are used to seal and improve skid resistance. Type III gradation is not recommended for runway use by the ISSA.

a. Aggregate Tolerance. Once the mix design has been accepted, the aggregate gradation used on the project may vary from the aggregate gradation used in the mix design on each sieve by the percentages shown in Table 2. If the project aggregate fails to remain within this tolerance, a new mix design will be required by the Engineer at the expense of the Contractor.

Sieve Size	Tolerance, percent by weight passing sieve
3/8 in. (9.5 mm)	+ or - 0%
No. 4 (4.75 mm)	+ or - 2%
No. 8 (2.36 mm)	+ or - 5%
No. 16 (1.18 mm)	+ or - 5%
No. 30 (600 micro m)	+ or - 5%
No. 50 (300 micro m)	+ or - 4%
No. 100 (150 micro m)	+ or - 3%
No. 200 (75 micro m)	+ or - 2%
Residual Asphalt, percent dry weight of aggregate	+ or - 1%

626-2.2 MINERAL FILLER. If mineral filler, in addition to that naturally present in the aggregate, is necessary, it shall meet the requirements of ASTM D 242 and shall be used in the amounts required by the mix design. The mineral filler shall be considered as part of the aggregate.

626-2.3 EMULSIFIED ASPHALT. The emulsified asphalt shall conform to the requirements of ASTM D [977 and/or 2397] and shall be SS, CSS, CQS, or QS type emulsions.

The cement mixing test is waived for these slurry type emulsions. The emulsified asphalt shall be either anionic or cationic, whichever is best suited to the aggregate and job conditions to be encountered. The type of emulsified asphalt to use will be determined by the mix design. The Engineer shall specify the type of emulsion and the controlling specification, which shall be from ASTM D 977 or ASTM D 2397, and the material shall be SS, CSS, CQS, or QS.

626-2.4 WATER. All water used in making the slurry shall be potable and free from harmful soluble salts and chemicals.

COMPOSITION AND APPLICATION

626-3.1 COMPOSITION. The slurry seal shall consist of a mixture of emulsified asphalt, mineral aggregate, and water.

626-3.2 JOB MIX FORMULA. No slurry seal for payment shall be placed until a mix design has been approved by the Engineer. The mix design shall be developed by a laboratory with experience in designing slurry seal mixes and a signed copy shall be submitted in writing by the Contractor to the Engineer at least 10 days prior to the start of operations.

The laboratory report (mix design) shall indicate the proportions of aggregates, mineral filler (min. and max.), water (min. and max.) and asphalt emulsion based on the dry aggregate weight. It shall also report the quantitative effects of moisture content on the unit weight of the aggregate (bulking effects). The mix design shall be in effect until modified in writing by the Engineer. Should a change in sources of materials be made, a new mix design shall be established before the new material is used.

The main items of design in emulsified asphalt slurry seals are aggregate gradation, emulsified asphalt content, and consistency of the mixture. The aggregates, emulsified asphalt, and water should form a creamy-textured slurry that, when spread, will flow ahead of the strike-off squeegee. This will allow the slurry to flow down into the cracks in the pavement and fill them before the strike-off passes over. Technical Bulletin No. 111, Outline Guide Design Procedure for Slurry Seal, and publication A 105 Recommended Performance Guidelines published by the International Slurry Surfacing Association (ISSA) contains information to aid designers of slurry mixes.

The Contractor shall submit to the Engineer for approval a complete mix design on the materials proposed for use, prepared and certified by an approved laboratory. Compatibility of the aggregate, emulsion, mineral filler, and other additives shall be verified by the mix design. The mix design shall be made with the same aggregate and grade of emulsified asphalt that the Contractor will provide on the project. At a minimum the required tests and values needed are as follows:

	DESCRIPTION	SPECIFICATION
ISSA TB-100	Wet Track Abrasion Loss One Hour Soak	50 g/ft ² Max (538 g/m ²)
ISSA TB-115	Determination of Slurry Seal Compatibility	Pass

626-3.3 APPLICATION RATE. Unless otherwise specified, the slurry seal shall be applied to at the application rates shown in Table 3 for that gradation of material used.

TABLE 3. APPLICATION RATES

	Type I	Type II	Type III	Type IA
Pounds of mixture per square yard	8 - 12	12 - 20	18 - 30	10 - 16
Kilograms of mixture per square meter	4.3 - 6.5	6.5 - 10.9	9.8 - 16.3	5.4 - 8.6

The rate of application shall not vary more than ± 2 pounds per square yard (±1.1 kilograms per square meter).

626-3.4 TEST SECTIONS. Test sections shall be placed prior to the start of the slurry seal work in the presence of the Engineer. The test area will be designated by the Engineer and will be located on the existing pavement. Test strips shall be made by each machine after calibration. Samples of the slurry seal may be taken and the mix consistency verified by using ISSA TB-106 Slurry Seal Consistency test. In addition, the proportions of the individual materials may be verified by the Engineer by using the calibration information provided after machine calibration. If any test does not meet specification requirements, additional tests shall be made at the expense of the Contractor, until an acceptable test strip is placed.

CONSTRUCTION METHODS

626-4.1 WEATHER LIMITATIONS. The slurry seal shall not be applied if either the pavement or air temperature is below 50 °F (10 °C) and falling but may be applied when both pavement and air temperature are above 45 °F (7 °C) and rising. No slurry seal shall be applied when there is danger that the finished product will freeze before 24 hours. The mixture shall not be applied when weather conditions prolong opening to traffic beyond a reasonable time.

The Engineer should not specify a lower permissible temperature range than that stated in 626-4.1, since slurry placed at lower temperatures usually will not cure properly due to poor dehydration and poor asphalt coalescence.

626-4.2 EQUIPMENT AND TOOLS. The Contractor shall furnish all equipment, tools, and machinery necessary for the performance of this work.

a. Slurry Mixing Equipment. The machine shall be specifically designed and manufactured to lay slurry seal. The material shall be mixed by a self-propelled slurry seal mixing machine of either truck mounted or continuous run design. Either type machine shall be able to accurately deliver and proportion the aggregate, emulsified asphalt, mineral filler, and water to a revolving mixer and discharge the mixed product on a continuous flow basis. The machine shall have sufficient storage capacity for materials to maintain an adequate supply to the proportioning controls.

If continuous run equipment is used, the machine shall be equipped to allow the operator to have full control of the

forward and reverse speed of the machine during application of the slurry seal, with a self-loading device, with opposite side driver stations, all part of original equipment manufacturer design.

The aggregate shall be prewetted immediately prior to mixing with the emulsion. The mixing unit of the mixing chamber shall be capable of thoroughly blending all ingredients. No excessive mixing shall be permitted. The mixing machine shall be equipped with a fines feeder that provides an accurate metering device or method to introduce a predetermined proportion of mineral filler into the mixer at the same time and location that the aggregate is fed into the mixer.

The mixing machine shall be equipped with a water pressure system and fog-type spray bar adequate for complete fogging of the surface with an application of 0.05 to 0.10 gallon per square yard (0.23 to 0.45 liter per square meter) preceding the spreading equipment.

Sufficient machine storage capacity to mix properly and apply a minimum of 5 tons (4 500 kg) of the slurry shall be provided. Proportioning devices shall be calibrated prior to placing the slurry seal.

b. Slurry Spreading Equipment. The mixture shall be spread uniformly by means of a conventional surfacing spreader box attached to the mixer and equipped to agitate and spread the material evenly throughout the box. A front seal shall be provided to insure no loss of the mixture at the surface contact point. The rear seal shall act as the final strike-off and shall be adjustable. The spreader box and rear strike-off shall be so designed and operated that a uniform consistency is achieved to produce a free flow of material to the rear strike-off. The spreader box shall have suitable means provided to side shift the box to compensate for variations in the pavement geometry. A burlap drag or other approved screed may be attached to the rear of the spreader box to provide a uniform mat.

c. Auxiliary Equipment. Other tools or equipment such as brushes, hand squeegees, hose equipment, tank trucks, water distributors and flushers, power blowers, barricades, etc., shall be provided as required.

d. Roller. The roller, if required, shall be a self-propelled pneumatic-tired roller capable of exerting a contact pressure during rolling of 50 pounds per square inch (350 000 Newton's per square meter). It shall be equipped with a water spray system, to be used if the slurry is picking up on the tires during rolling.

e. Tack Coat and Distributor. Normally a tack coat is not required unless the surface to be covered is extremely dry and raveled or is concrete or brick. If required, the tack coat should consist of one part emulsified asphalt and three parts water. The emulsified asphalt may be the same as that used in the mix. Pressure distributors used for application of the diluted asphalt emulsion tack coat shall be self-propelled, equipped with pneumatic tires, and capable of uniformly applying 0.05 to 0.15 gallon per square yard (0.23 to 0.68 liter per square meter) of the diluted emulsion over the required width of application. Distributors shall be equipped with tachometers, pressure gages, and volume-measuring devices. The tack coat shall be applied at least 2 hours before the slurry seal but within the same day.

626-4.3 EQUIPMENT CALIBRATION. Each slurry mixing unit to be used on the project shall be calibrated in the presence of the Engineer prior to construction. Previous calibration documentation covering the exact materials to be used may be accepted by the Engineer provided they were made during the calendar year. The documentation shall include an individual calibration of each material at various settings, which can be related to the machine's metering devices. No machine will be allowed to work on the project until the calibration has been completed and/or accepted.

626-4.4 PREPARATION OF EXISTING SURFACE. Prior to placing the tack coat and slurry seal coat, unsatisfactory areas shall be repaired and the surface shall be cleaned of dust, dirt, or other loose foreign matter, grease, oil, excessive rubber accumulation, or any type of objectionable surface film. Any standard cleaning method will be acceptable except that water flushing will not be permitted in areas where considerable cracks are present in the pavement surface.

Any painted stripes or markings on the surface of the runways or taxiways to be treated, shall be removed.

Cracks wider than 1/4 inch (6 mm) shall be cleaned with compressed air, and sealed with a compatible crack sealer prior to applying the slurry seal. Cracks wider than 3/4 inch (19 mm) should be pre-filled and sealed with the slurry mixture prior to surfacing. Cracks that show evidence of vegetation shall be cleaned and treated with an approved herbicide.

626-4.5 APPLICATION OF SLURRY SEAL COAT. The surface shall be prewet by fogging ahead of the slurry spreader box. Water used in prewetting the surface shall be applied at such a rate that the entire surface is damp with no apparent flowing water in front of the slurry spreader box. The slurry mixture shall be of the desired consistency when deposited on the surface, and no additional elements shall be added. Total time of mixing shall not exceed 2 minutes. A sufficient amount of slurry shall be carried in all parts of the spreader box at all times so that complete coverage of all surface voids and cracks is obtained. Care shall be taken not to overload the spreader box that shall be towed at a slow and uniform rate not to exceed 5 miles per hour (8 kilometers per hour). No lumping, balling, or unmixed aggregate shall be permitted. No segregation of the emulsion and fines from the coarse aggregate will be permitted. If the coarse aggregate settles to the bottom of the mix, the slurry shall be removed from the pavement surface. A sufficient amount of slurry shall be fed into the box to keep a full supply against the full width of the spreader box. The mixture shall not be permitted to overflow the sides of the spreader box. No breaking of the emulsion will be allowed in the spreader box. The finished surface shall have no more than four (4) tear or drag marks greater than 1/2 inch (13 mm) wide and 4 inches (100 mm) long in any 12 foot by 22 foot (25 sq. meter) section. It shall have no tear or drag marks greater than 1 inch (25 mm) wide and 3 inches (15 mm) long.

The finished surface shall have no transverse ripples of 1/4 inch (6 mm) or more in depth, as measured with a 10-foot (3 meter) straight edge laid upon the surface.

Adjacent lanes shall be lapped at the edges a minimum of 2 inches (50 mm) with a maximum of 4 inches (100 mm) to provide complete sealing at the overlap. Construction longitudinal and transverse joints shall be neat and uniform without buildup, uncovered areas, or unsightly appearance. All joints shall have no more than 1/4 inch (6 mm) difference in elevation when measured across with a 10 foot (3 meter) straight edge.

Generally, where normal traffic will iron out the slurry and close any hairline cracks of dehydration, it is not necessary to roll a normal thickness, 1/4 inch (6 mm) or less, slurry seal. However, in some instances the somewhat lattice-like structure of the slurry should be densified by pneumatic-tire rolling to improve durability, such as areas subjected to severe braking or acceleration. Rolling of the slurry seal is at the option of the Engineer and, if required, shall be designated in the plans.

If rolling is required by the Engineer, the surface shall be subjected to a minimum of two full coverage passes by the roller. These rolling passes are to be done as soon as the slurry mixture will support the roller without damage. When the surface of the existing pavement is irregular or broken, it shall be repaired or brought to uniform grade and cross section by patching as directed in the project plans. With the exception of standard debris cleaning, all other repairs, crack sealing, and required removal of materials shall be a line item in the bid and noted in the plans.

The fresh slurry seal application shall be protected by barricades and markers and permitted to dry for 4 to 24 hours, depending on weather conditions. Any damage to uncured slurry shall be repaired at the expense of the Contractor.

In areas where the spreader box cannot be used, the slurry shall be applied by means of a hand squeegee. Upon completion of the work, the seal coat shall have no holes, bare spots, or cracks through which liquids or foreign matter could penetrate to the underlying pavement. The finished surface shall present a uniform and skid resistant texture satisfactory to the Engineer. All wasted and unused material and all debris shall be removed from the site prior to final acceptance.

Upon completion of the project, the Contractor shall sweep the finished surface with a conventional power rotary broom, to remove any potential loose material from the surface. The material removed by sweeping shall be disposed of in a manner satisfactory to the Engineer.

The cured slurry shall have a homogeneous appearance, fill all cracks, adhere firmly to the surface and have a skid resistant texture. The slurry seal will not stop shrinkage and other large thermal cracks from reflecting back through the new slurry surface.

626-4.6 EMULSION MATERIAL (CONTRACTORS RESPONSIBILITY). Samples of the emulsion that the Contractor proposes to use, together with a statement as to its source, shall be submitted, and approval shall be obtained before using such material. The Contractor shall submit to the Engineer a manufacturer's certified report for each consignment of the emulsion. The manufacturer's certified report shall not be interpreted as a basis for final acceptance. All such reports shall be subject to verification by testing samples of the emulsion as received for use on the project.

METHOD OF MEASUREMENT

626-5.1 The emulsified asphalt shall be measured by the [gallon (liter)] [ton (kg)]. Only the actual quantity of undiluted emulsified asphalt will be measured for payment.

626-5.2 Aggregate shall be measured by the ton (kg) of dry aggregate.

[626-5.3 Crack sealing shall be measured by the linear foot (meter) of cracks sealed.]

[626-5.4 Surface repair shall be measured by the ton (kg) or square measurement of material placed.]

[626-5.5 Paint and rubber removal shall be measured by the linear foot (meter) or square measurement.]

BASIS OF PAYMENT

626-6.1 Payment shall be made at the contract unit price per [gallon (liter)] [ton (kg)] for the emulsified asphalt and at the contract price per ton (kg) for aggregate [and the contract unit price for crack sealing per linear foot] [and the contract unit price for surface repair per ton (kg) or square measurement] [and the contract unit price for paint and rubber removal per lineal foot (meter) or square measurement].

These prices shall be full compensation for furnishing all materials, for preparing, mixing, and applying these materials, and for all labor, equipment, tools, and incidentals necessary to complete the item.

Payment will be made under:

- Item P-626-6.1 Emulsified Asphalt for Slurry Coat—per [gallon (liter)] [ton (kg)]
- Item P-626-6.2 Aggregate—per ton (kg) of dry aggregate.
- [Item P-626-6.3 Emulsified Asphalt for Tack Coat—per [gallon (liter)] [ton (kg)]]
- [Item P-626-6.4 Crack sealing — per linear [feet] (meter)]
- [Item P-626-6.5 Surface Repair—per [ton] (kg) or square measurement]

[Item P-626-6.6 Paint and Rubber removal—per linear foot (meter) or square measurement (meter)]

TESTING REQUIREMENTS

ASTM C 88	Soundness of Aggregates by Use of Sodium Sulfate or Magnesium Sulfate
ASTM C 117	Materials Finer than No. 200 Sieve in Mineral Aggregates by Washing
ASTM C 128	Density, Relative Density (Specific Gravity), and Absorption of Fine Aggregate
ASTM C 131	Resistance to Degradation of Small Size Coarse Aggregate by Abrasion and Impact in the Los Angeles Machine
ASTM C 136	Sieve or Screen Analysis of Fine and Coarse Aggregates
ASTM D 75	Sampling Aggregates
ASTM D 2419	Sand Equivalent Value of Soils and Fine Aggregate
ISSA A 105	Recommended Performance Guidelines
ISSA TB-100	Wet Track Abrasion Loss
ISSA TB-106	Slurry Seal Consistency
ISSA TB 111	Outline Guide Design Procedure for Slurry Seal
ISSA TB-115	Determination of Slurry Seal Compatibility

MATERIAL REQUIREMENTS

ASTM D 242	Mineral Filler for Bituminous Paving Mixtures
ASTM D 977	Emulsified Asphalt
ASTM D 2397	Cationic Emulsified Asphalt

END OF ITEM P-626

ITEM P-630 REFINED COAL TAR EMULSION WITHOUT ADDITIVES, SLURRY SEAL SURFACE TREATMENT

630-1.1 GENERAL. This item shall consist of a mixture of refined coal tar emulsion, mineral aggregate, and water properly proportioned, mixed, and applied as a slurry seal on new or existing (aged) asphalt concrete pavement.

MATERIALS

630-2.1 Refined Coal Tar Emulsion. A refined coal tar emulsion prepared from a high temperature refined coal tar conforming to the requirements of ASTM specification D 490 for grade 11-12. The use of oil and water gas tar is not allowed. Base refined coal tar emulsion must conform to all requirements of Federal Specification R-P-355.

630-2.2 Aggregate. The aggregate shall be washed dry silica sand or boiler slag free of dust, trash, clay, organic materials or other deleterious substances. The aggregate shall meet the gradation requirements of Table 1, when tested in accordance with ASTM C 136.

TABLE 1. GRADATION OF AGGREGATES*

Sieve Size		Percent Retained	
		Minimum	Maximum
#20 or coarser	(0.850 mm)	0	2
#30	(0.600 mm)	0	12
#40	(0.425 mm)	2	60
#50	(0.300 mm)	5	60
#70	(0.212 mm)	5	60
#100	(0.150 mm)	5	30
#140	(0.106 mm)	0	10
#200	(0.075 mm)	0	2
Finer than #200		0	0.3

* Table 1 represents the maximum range of aggregate gradations.

In all cases the refined coal tar emulsion supplier is to give written approval of the aggregate used in the mix design.

603-2.3 Water. Water for mixing shall be potable, free of harmful soluble salts and at least 50°F (10°C).

603-2.4 Crack Sealant. Crack sealant shall be certified for compatibility with the refined coal tar emulsion by the manufacturer of the refined coal tar emulsion, and approved by the engineer.

603-2.5 Oil Spot Primer. Oil spot primer shall be certified for compatibility with the refined coal tar emulsion by the manufacturer of the refined coal tar emulsion, and approved by the engineer.

603-2.6 Pavement Primer. Pavement primer shall be certified for compatibility with the refined coal tar emulsion by the manufacturer of the refined coal tar emulsion, and approved by the engineer.

COMPOSITION AND APPLICATION

630-3.1 Composition. The refined coal tar emulsion seal coat is to consist of a mixture of refined coal tar emulsion, water and aggregate, and be proportioned as shown in Table 2. The composition must have written approval of the coal tar emulsion manufacturer.

630-3.2 Job Mix Formula. The contractor shall submit the recommended formulation of water, emulsion, aggregate and application rate proposed for use to a testing laboratory together with sufficient materials to verify the formulation at least [] days prior to the start of operations. The mix design shall be within the range shown in Table

2. No seal coat shall be produced for payment until a job mix formula has been approved by the Engineer. The formulation shall pass the fuel resistance test in Appendix A.

The job mix formula for each mixture shall be in effect until modified in writing by the Engineer.

Improper formulations of coal-tar pitch emulsion seal produce coatings that crack prematurely or do not adhere properly to the pavement surface. A minimum of 5 days is recommended for job mix approval.

**TABLE 2.
COMPOSITION OF MIXTURE PER 100 GAL OF REFINED COAL TAR EMULSION**

Application	Refined Coal Tar Emulsion	Water	Aggregate	Formula Rate of Application of Mix per Square Yard (Square Meter)	
				Minimum Gallons (Liters)	Maximum Gallons (Liters)
	Gallons (Liters)	Gallons (Liters)	LBS (Kilograms)	Minimum Gallons (Liters)	Maximum Gallons (Liters)
Prime Coat (where required) as specified by the coal tar emulsion manufacturer.					
1st Seal Coat	100 (379)	25-30 (95-114)	300-500 (136-228)	0.12 (0.54)	0.17 (0.77)
2nd Seal Coat	100 (379)	25-30 (95-114)	300-500 (136-228)	0.12 (0.54)	0.17 (0.77)

The numbers shown in Table 2 represent the maximum recommended range of values. In all cases, the refined coal tar emulsion supplier is to give written approval of specific composition numbers to be used in the mix design.

Some specifications covering this type of coating have allowed sand loadings in excess of 10 pounds per gallon of refined coal tar emulsion. These coatings have not performed well in the field due to poor fuel resistance and loss of adhesion and are not recommended.

Additional coats may be specified for greater wearability.

630-3.3 Application Rate. Application rates are not to exceed 0.17 gal/yd.²/coat (0.77 liters/m²/coat), and at no time are total coats to exceed 0.51 gal/yd² (2.3 liters/m²).

630-3.4 Test Section. Prior to full production, the Contractor shall prepare a quantity of mixture in the proportions shown in the approved mix design. The amount of mixture shall be sufficient to place a test section a minimum of 250 square yards at the rate specified in the job mix formula. The area to be tested will be designated by the Engineer and will be located on a representative section of the pavement to be seal coated. The actual application rate will be determined by the Engineer during placement of the test section and will depend on the condition of the pavement surface.

The test section shall be used to verify the adequacy of the mix design and to determine the application rate. The same equipment and method of operations shall be used on the test section as will be used on the remainder of the work.

If the test section should prove to be unsatisfactory, the necessary adjustments to the job mix formula, mix composition, application rate, placement operations, and equipment shall be made. Additional test sections shall be placed and evaluated, if required. Full production shall not begin without the Engineer's approval. Acceptable test sections shall be paid for in accordance with paragraph 630-7.1.

The test section affords the Contractor and the Engineer an opportunity to determine the quality of the mixture in place as well as the performance of the equipment.

The application rate depends on the surface texture.

If operational conditions preclude placement of a test section on the pavement to be seal coated, it may be applied on a pavement with similar surface texture.

The only test required on the composite mix placed in the field is the viscosity test. The fuel resistance test may be specified, however, this test takes 96 hours to run.

CONSTRUCTION METHODS

630-4.1 Weather Limitations. The seal coat shall not be applied when the surface is wet or when the humidity or impending weather conditions will not allow proper curing. The seal coat shall be applied only when the atmospheric or pavement temperature is 50°F (10 degrees C) and rising and is expected to remain above 50°F (10°C) for 24 hours, unless otherwise directed by the Engineer.

630-4.2 Equipment and Tools. The Contractor shall furnish all equipment, tools, and machinery necessary for the performance of the work.

a. Distributors. Distributors or spray units used for the spray application of the seal coat shall be self-propelled and capable of uniformly applying 0.12 to 0.55 gallons per square yard (0.54 to 2.5 liters per square meter) of material over the required width of application. Distributors shall be equipped with removable manhole covers, tachometers, pressure gauges, and volume-measuring devices.

The mix tank shall have a mechanically powered, full-sweep, mixer with sufficient power to move and homogeneously mix the entire contents of the tank.

The distributor shall be equipped with a positive placement pump so that a constant pressure can be maintained on the mixture to the spray nozzles.

b. Mixing Equipment. The mixing machine shall have a continuous flow mixing unit capable of accurately delivering a predetermined proportion of aggregate, water, and emulsion, and of discharging the thoroughly mixed product on a continuous basis. The mixing unit shall be capable of thoroughly blending all ingredients together and discharging the material to the spreader box without segregation.

c. Spreading Equipment. Spreading equipment shall be a mechanical-type squeegee distributor attached to the mixing machine, equipped with flexible material in contact with the surface to prevent loss of slurry from the spreader box. It shall be maintained to prevent loss of slurry on varying grades and adjusted to assure uniform spread. There shall be a lateral control device and a flexible strike-off capable of being adjusted to lay the slurry at the specified rate of application. The spreader box shall have an adjustable width. The box shall be kept clean; coal-tar emulsion and aggregate build-up on the box shall not be permitted.

d. Hand Squeegee or Brush Application. The use of hand spreading application shall be restricted to places not accessible to the mechanized equipment or to accommodate neat trim work at curbs, etc. Material that is applied by hand shall meet the same standards as that applied by machine.

e. Calibration. The Contractor shall furnish all equipment, materials and labor necessary to calibrate the equipment. It shall be calibrated to assure that it will produce and apply a mix that conforms to the job mix formula. Commercial equipment should be provided with a method of calibration by the manufacturer. All calibrations shall be made with the approved job materials prior to applying the seal coat to the pavement. A copy of the calibration test results shall be furnished to the Engineer.

630-4.3 Preparation of Existing Asphalt Pavement Surfaces. Existing asphalt pavements indicated to be seal coated shall be prepared as follows:

- Patch bituminous pavement surfaces that have been softened by petroleum derivatives or have failed due to any other cause. Remove damaged pavement to the full depth of the damage and replace with new bituminous concrete similar to that of the existing pavement. If a solvent containing cold-applied material is used, complete patching a minimum of 90 days prior to the planned application of the sealer to permit solvent to escape before sealing.
- Remove all vegetation and debris from cracks to a minimum depth of 1". If extensive vegetation exists treat the specific area with a concentrated solution of a water-based herbicide approved by the engineer. Fill all cracks, ignoring hairline cracks (< 1/4" wide) with a crack sealant. Wider cracks (over 1/2" wide (38.4 mm)), along with soft or sunken spots, indicate that the pavement or the pavement base should be repaired or replaced as stated above.
- Clean pavement surface immediately prior to placing the prime coat or seal coat by sweeping, flushing well with water leaving no standing water, or a combination of both, so that it is free of dust, dirt, grease, vegetation, oil or any type of objectionable surface film.
- Remove oil or grease that has not penetrated the asphalt pavement by scraping or by scrubbing with a detergent, then wash thoroughly with clean water. After cleaning, treat these areas with the oil spot primer.
- To insure adhesion to sound but oxidized pavements, mix and apply a prime coat of a type and at a rate recommended by the coal tar emulsion manufacturer, after all loose aggregate is removed.

630-4.4 Preparation of New Asphalt Pavement Surfaces. New asphalt pavements indicated to be seal coated shall be prepared as follows:

- Cure new asphalt pavement surfaces so that there is no concentration of oils on the surface.
- A period of at least 60 days at +70°F daytime temperatures must elapse between the placement of a hot mixed asphalt concrete surface course and the application of the seal coat.
- Perform a water-break-free test to confirm that the surface oils have degraded and dissipated. (Cast one gallon of clean water out over the surface. The water should sheet out and wet the surface uniformly without crawling or showing oil rings.) If asphalt does not pass this test, additional time must be allowed for extra curing and retesting prior to sealing.
- Clean pavement surface immediately prior to placing the prime coat or seal coat by sweeping, flushing well with water leaving no standing water, or a combination of both, so that it is free of dust, dirt, grease, vegetation, oil or any type of objectionable surface film.
- Where oil spot priming is needed, remove oil or grease that has not penetrated the asphalt pavement by scraping or by scrubbing with a detergent, then wash thoroughly with clean water. After cleaning, treat these areas with the oil spot primer.

630-4.5 Mixing. Blend the coal tar emulsion mixture in the equipment described in paragraph 630-4.2 using the ingredients described in Table 2. The mixing must produce a smooth homogeneous mixture of uniform consistency. (Consult coal tar emulsion supplier for its recommended order of addition of the ingredients.) During the entire mixing and application process, no breaking, segregating or hardening of the emulsion, nor balling or lumping of the sand is to be permitted. Continue to agitate the seal coat mixture in the mixing tank at all times prior to and during application so that a consistent mix is available for application.

Small additional increments of water may be needed to provide a workable consistency, but in no case is the water content to exceed the specified amount.

630-4.6 Application of Slurry Seal Coat. The aggregate filled slurry seal coat shall be applied at a uniform rate determined in paragraph 630-3.4.

In order to provide maximum adhesion, the pavement shall be dampened with a fog spray of water if recommended by the supplier. No standing water shall remain on the surface.

If a prime coat is required, mix and apply the prime coat as specified in paragraph 630-4.3 for existing pavements or paragraph 630-4.4 for new pavements.

Apply the first coat uniformly to obtain the rate determined in paragraph 630-3.4.

Each coat shall be allowed to dry and cure initially before applying any subsequent coats. The initial drying shall allow evaporation of water of the applied mixture, resulting in the coating being able to sustain light foot traffic. The initial curing shall enable the mixture to withstand vehicle traffic without damage to the seal coat.

Apply the second coat in the same manner as outlined for the first coat.

Additional coats shall be applied over the entire surface as directed by the engineer.

The finished surface shall present a uniform texture.

The final coat shall be allowed to dry a minimum of eight hours in dry daylight conditions before opening to traffic, and initially cure enough to support vehicular traffic without damage to the seal coat.

Where marginal weather conditions exist during the eight hour drying time, additional drying time shall be required. The length of time shall be as specified by the supplier. The surface shall be checked after the additional drying time for trafficability before opening the section to vehicle traffic.

Where striping is required, the striping paint utilized shall meet the requirements of P-620, shall be compatible with the seal coat and as recommended by the coal tar emulsion manufacturer.

QUALITY CONTROL

630-5.1 CONTRACTOR'S CERTIFICATION. The Contractor shall furnish the manufacturer's certification that each consignment of emulsion shipped to the project meets the requirements of Federal specification R-P-355, except that the water content shall not exceed 50 percent. The certification shall also indicate the solids and ash content of the emulsion and the date the tests were conducted. The certification shall be delivered to the Engineer prior to the beginning of work. The manufacturer's certification for the emulsion shall not be interpreted as a basis for final acceptance. Any certification received shall be subject to verification by testing samples received for project use.

The Contractor shall also furnish a certification demonstrating a minimum of three years' experience in the application of coal-tar emulsion seal coats.

630-5.2 INSPECTION. The Owner shall have an independent technical consultant on the job site at the beginning of operations for application of coal-tar emulsion seal coats. The consultant shall have knowledge of the materials, procedures, and equipment described in this specification and shall assist the Contractor regarding proper mixing of the component materials and application of the seal coat. The consultant shall have a minimum of 3 years' experience in the use of coal-tar seal coats. Documentation of this experience shall be furnished to the Engineer prior to the start of operations. The cost of the technical consultant shall be paid for by the Owner.

630-5.3 SAMPLING. A minimum of one sample per day shall be tested for the properties of Table 2. A random sample of approximately one-quart of the composite mix will be obtained daily by the contractor and stored in a glass container. The containers shall be sealed against contamination and retained in storage by the Owner for a period of six months. Samples shall be stored at room temperature and not be subjected to freezing temperatures.

A sample of undiluted coal-tar emulsion shall be obtained from each consignment shipped to the job.

630-5.4 ENGINEER'S RECORDS. The Engineer will keep an accurate record of each batch of materials used in the formulation of the seal coat.

METHOD OF MEASUREMENT

630-6.1 The refined coal tar emulsion shall be measured by the [gallon (liter)] [ton (kg)]. Only the actual quantity of undiluted refined coal tar emulsion will be measured for payment.

630-6.2 Aggregate shall be measured by the ton (kg) of dry aggregate.

BASIS OF PAYMENT

630-7.1 Payment shall be made at the contract unit price per [gallon (liter)] (ton (kg)) for the refined coal tar emulsion and at the contract price per ton (kg) for aggregate.

These prices shall be full compensation for furnishing all materials, preparing, mixing, and applying these materials, and for all labor, equipment, tools, and incidentals necessary to complete the item.

Payment will be made under:

Item P-630-7.1	Refined Coal Tar Emulsion for Slurry Coat—per [gallon (liter)] [ton (kg)]
Item P-630-7.2	Aggregate—per ton (kg) of dry aggregate.

TESTING REQUIREMENTS

ASTM C 67	Sampling and Testing Brick and Structural Clay Tile
ASTM C 136	Sieve or Screen Analysis of Fine and Coarse Aggregates
ASTM D 160	Practice of Sampling Bituminous Materials
ASTM D 2939	Standard Test Methods for Emulsified Bitumens used as Protective Coatings.

MATERIAL REQUIREMENTS

ASTM D 490	Standard Specification for Road Tar
ASTM D 692	Standard Specification for Coarse Aggregate for Bituminous Paving Mixtures
ASTM C 3699	Kerosene

ASTM D 4866	Standard Performance Specification for Coal Tar Pitch Emulsion Pavement Sealer Mix Formations Containing Mineral Aggregates and Optional Polymeric Admixtures
ASTM D 5727	Emulsified Refined Coal Tar (Mineral Colloid Type)
FED SPEC R-P-355	Pitch, Coal-tar Emulsion (Coating for Bituminous Pavements) ASTM D 5727 Emulsified Refined Coal Tar (Mineral Colloid Type)

APPENDIX A

FUEL RESISTANCE TEST

ITEM P-630

FUEL RESISTANCE TEST ITEM P-630
TEST METHODS CRITERION**1. Scope**

This method determines the resistance of the coal tar emulsion seal coat to kerosene.

2. Apparatus

- 2.1 2 6" X 6" square 16 gauge sheet metal masks with a 4" x 4" square center removed.
- 2.2 6" X 6" unglazed white ceramic tile with an absorption rate of 10-18 percent (determined in accordance with ASTM C 67).
- 2.3 Brass ring, 2" diameter and 2" high.
- 2.4 Kerosene meeting requirements of ASTM D 3699.
- 2.5 Silicone rubber sealant.

3. Procedure

- 3.1 Immerse the ceramic tile in distilled water for a minimum of ten minutes.
- 3.2 Remove excess water from the tile to produce a damp surface before applying the seal coat.
- 3.3 Using the mask described in 2.1 apply one layer of the coal tar emulsion mixture to the tile. Spread even with the top of the mask using a spatula or other straight edge.
- 3.4 Allow the sample to cure for 96 hours at 77 ± 2 degrees F. and 50 ± 10 percent relative humidity.
- 3.5 Position a second mask on top of the first mask.
- 3.6 Apply a second coat of coal tar emulsion mixture. Spread even with the top of the second mask.
- 3.7 Cure as in step 3.4.
- 3.8 After curing, affix the brass ring to the seal coat on the tile with silicone rubber sealant.
- 3.9 Fill the brass ring with kerosene.
- 3.10 After 24 hours, remove the kerosene from the brass ring, blot dry and immediately examine the film for softness and loss of adhesion. Immediately after the film is examined, break the tile in half, exposing that part of the tile whose film was subjected to the kerosene.
- 3.11 Evaluate for penetration of kerosene through the sealer and loss of adhesion.

4. Report

- 4.1 Report the results as pass or fail. Visible evidence of leakage or discoloration shall constitute failure of the test.

Criterion: A "pass" rating in the fuel resistance test is required.

END OF ITEM P-630

ITEM P-631 REFINED COAL TAR EMULSION WITH ADDITIVES, SLURRY SEAL SURFACE TREATMENT

631-1.1 GENERAL. This item shall consist of a mixture of refined coal tar emulsion, mineral aggregate, additives, and water properly proportioned, mixed and applied as a slurry seal on new or existing (aged) asphalt concrete pavement.

MATERIALS

631-2.1 Refined Coal Tar Emulsion. A refined coal tar emulsion prepared from a high temperature refined coal tar conforming to the requirements of ASTM specification D 490 for grade 11-12. The use of oil and water gas tar is not allowed. Base refined coal tar emulsion must conform to all requirements of Federal Specification R-P-355.

631-2.2 Aggregate. The aggregate shall be washed dry silica sand or boiler slag free of dust, trash, clay, organic materials or other deleterious substances. The aggregate shall meet the gradation in Table 1, when tested in accordance with ASTM C 136.

TABLE 1. GRADATION OF AGGREGATES*

Sieve Size		Percent Retained	
		Minimum	Maximum
#20 or coarser	(0.850 mm)	0	2
#30	(0.600 mm)	0	12
#40	(0.425 mm)	2	60
#50	(0.300 mm)	5	60
#70	(0.212 mm)	5	60
#100	(0.150 mm)	5	30
#140	(0.106 mm)	0	10
#200	(0.075 mm)	0	2
Finer than #200		0	0.3

* Table 1 represents the maximum range of aggregate gradations. In all cases the refined coal tar emulsion supplier is to give written approval of the aggregate used in the mix design.

631-2.3 Additive. As specified by the coal tar emulsion manufacturer.

Additives are one or more ingredients that can be added to a specific refined coal tar emulsion, water and/or sand mixture to improve the coatings final properties. These properties include durability, fuel resistance, drying time, color uniformity, and/or length of cure time. Additives may also be used to modify the wet mixture’s viscosity to improve aggregate suspension.

The type of additive to be used should be specified by the coal tar emulsion manufacturer and will depend on which final properties are desired.

The engineer should specify the desired properties.

631-2.4 Water. Water for mixing shall be potable, free of harmful soluble salts, and at least 50°F (10° C).

631-2.5 Crack Sealant. Crack sealant shall be certified for compatibility with the refined coal tar emulsion by the manufacturer of the refined coal tar emulsion, and approved by the engineer.

631-2.6 Oil Spot Primer. Oil spot primer shall be certified for compatibility with the refined coal tar emulsion by the manufacturer of the refined coal tar emulsion, and approved by the engineer.

631-2.7 Pavement Primer. Pavement primer shall be certified for compatibility with the refined coal tar emulsion by the manufacturer of the refined coal tar emulsion, and approved by the engineer.]

COMPOSITION AND APPLICATION

631-3.1 Composition. The refined coal tar emulsion seal coat is to consist of a mixture of refined coal tar emulsion, water, additive and aggregate, and be proportioned as shown in Table 2. The composition must have written approval of the coal tar emulsion manufacturer.

631-3.2 Job Mix Formula. The contractor shall submit the recommended formulation of water, emulsion, aggregate and application rate proposed for use to a testing laboratory together with sufficient materials to verify the formulation at least [] days prior to the start of operations. The mix design shall be within the range shown in Table 2. No seal coat shall be produced for payment until a job mix formula has been approved by the Engineer. The formulation shall pass the fuel resistance test in Appendix A.

The job mix formula for each mixture shall be in effect until modified in writing by the Engineer.

Improper formulations of coal-tar pitch emulsion seal produce coatings that crack prematurely or do not adhere properly to the pavement surface. A minimum of 5 days is recommended for job mix approval.

**TABLE 2.
COMPOSITION OF MIXTURE PER 100 GAL OF REFINED COAL TAR EMULSION**

Application	Refined Coal Tar Emulsion	Water	Additive	Aggregate	Formula Rate of Application of Mix per Square Yard (Liters)	
					Minimum Gallons (Liters)	Maximum Gallons (Liters)
	Gallons (Liters)	Gallons (Liters)	Gallons (Liters)	LBS (Liters)	Minimum Gallons (Liters)	Maximum Gallons (Liters)
Prime Coat (where required) as specified by the coal tar emulsion manufacturer.						
1st Seal Coat	100 (379)	25-70 (95-265)	2-6 (7.6-22.7)	300-700 (136-318)	0.12 (0.54)	0.20 (0.91)
2nd Seal Coat	100 (379)	25-70 (95-265)	2-6 (7.6-22.7)	300-700 (136-318)	0.12 (0.54)	0.20 (0.91)

The numbers shown in Table 2 represent the maximum recommended range of values. In all cases, the refined coal tar emulsion supplier is to give written approval of specific composition numbers to be used in the mix design.

Some specifications covering this type of coating have allowed sand loadings in excess of 10 pounds per gallon of refined coal tar emulsion. These coatings have not performed well in the field due to poor fuel resistance and loss of adhesion and are not recommended.

631-3.3 Application Rate. Application rates are not to exceed 0.20 gal/yd.²/coat (0.91 liters/m²/coat), and at no time are total coats to exceed 0.51 gal/yd² (2.3 liters/m²).

631-3.4 Test Section. Prior to full production, the Contractor shall prepare a quantity of mixture in the proportions shown in the approved mix design. The amount of mixture shall be sufficient to place a test section a minimum of 250 square yards at the rate specified in the job mix formula. The area to be tested will be designated by the Engineer and will be located on a representative section of the pavement to be seal coated. The actual application rate will be determined by the Engineer during placement of the test section and will depend on the condition of the pavement surface.

The test section shall be used to verify the adequacy of the mix design and to determine the application rate. The same equipment and method of operations shall be used on the test section as will be used on the remainder of the work.

If the test section should prove to be unsatisfactory, the necessary adjustments to the job mix formula, mix composition, application rate, placement operations, and equipment shall be made. Additional test sections shall be placed and evaluated, if required. Full production shall not begin without the Engineer's approval. Acceptable test sections shall be paid for in accordance with paragraph 631-7.1.

The test section affords the Contractor and the Engineer an opportunity to determine the quality of the mixture in place as well as the performance of the equipment.

The application rate depends on the surface texture.

If operational conditions preclude placement of a test section on the pavement to be seal coated, it may be applied on a pavement with similar surface texture.

The only test required on the composite mix placed in the field is the viscosity test. The fuel resistance test may be specified, however, this test takes 96 hours to run.

CONSTRUCTION METHODS

631-4.1 Weather Limitations. The seal coat shall not be applied when the surface is wet or when the humidity or impending weather conditions will not allow proper curing. The seal coat shall be applied only when the atmospheric or pavement temperature is 50°F (10°C) and rising and is expected to remain above 50°F (10°C) for 24 hours, unless otherwise directed by the Engineer.

631-4.2 Equipment and Tools. The Contractor shall furnish all equipment, tools, and machinery necessary for the performance of the work.

a. Distributors. Distributors or spray units used for the spray application of the seal coat shall be self-propelled and capable of uniformly applying 0.12 to 0.55 gallons per square yard (0.54 to 2.5 liters per square meter) of material over the required width of application. Distributors shall be equipped with removable manhole covers, tachometers, pressure gauges, and volume-measuring devices.

The mix tank shall have a mechanically powered, full-sweep, mixer with sufficient power to move and homogeneously mix the entire contents of the tank.

The distributor shall be equipped with a positive placement pump so that a constant pressure can be maintained on the mixture to the spray nozzles.

b. Mixing Equipment. The mixing machine shall have a continuous flow mixing unit capable of accurately delivering a predetermined proportion of aggregate, water, and emulsion, and of discharging the thoroughly mixed product on a continuous basis. The mixing unit shall be capable of thoroughly blending all ingredients together and discharging the material to the spreader box without segregation.

c. Spreading Equipment. Spreading equipment shall be a mechanical-type squeegee distributor attached to the mixing machine, equipped with flexible material in contact with the surface to prevent loss of slurry from the spreader box. It shall be maintained to prevent loss of slurry on varying grades and adjusted to assure uniform spread. There shall be a lateral control device and a flexible strike-off capable of being adjusted to lay the slurry at the specified rate of application. The spreader box shall have an adjustable width. The box shall be kept clean; coal-tar emulsion and aggregate build-up on the box shall not be permitted.

d. Hand Squeegee or Brush Application. The use of hand spreading application shall be restricted to places not accessible to the mechanized equipment or to accommodate neat trim work at curbs, etc. Material that is applied by hand shall meet the same standards as that applied by machine.

e. Calibration. The Contractor shall furnish all equipment, materials and labor necessary to calibrate the equipment. It shall be calibrated to assure that it will produce and apply a mix that conforms to the job mix formula. Commercial equipment should be provided with a method of calibration by the manufacturer. All calibrations shall be made with the approved job materials prior to applying the seal coat to the pavement. A copy of the calibration test results shall be furnished to the Engineer.

631-4.3 Preparation Of Existing Asphalt Pavement Surfaces. Existing asphalt pavements indicated to be seal coated shall be prepared as follows:

- Patch bituminous pavement surfaces that have been softened by petroleum derivatives or have failed due to any other cause. Remove damaged pavement to the full depth of the damage and replace with new bituminous concrete similar to that of the existing pavement. If a solvent containing cold-applied material is used, complete patching a minimum of 90 days prior to the planned application of the sealer to permit solvent to escape before sealing.
- Remove all vegetation and debris from cracks to a minimum depth of 1". If extensive vegetation exists treat the specific area with a concentrated solution of a water-based herbicide approved by the engineer. Fill all cracks, ignoring hairline cracks (< 1/4" wide) with a crack sealant. Wider cracks (over 1 1/2" wide (38.4 mm)), along with soft or sunken spots, indicate that the pavement or the pavement base should be repaired or replaced as stated above.
- Clean pavement surface immediately prior to placing the prime coat or seal coat by sweeping, flushing well with water leaving no standing water, or a combination of both, so that it is free of dust, dirt, grease, vegetation, oil or any type of objectionable surface film.
- Remove oil or grease that has not penetrated the asphalt pavement by scraping or by scrubbing with a detergent, then wash thoroughly with clean water. After cleaning, treat these areas with the oil spot primer.
- To insure adhesion to sound but oxidized pavements, mix and apply a prime coat of a type and at a rate recommended by the coal tar emulsion manufacturer, after all loose aggregate is removed.

631-4.4 Preparation Of New Asphalt Pavement Surfaces. New asphalt pavements indicated to be seal coated shall be prepared as follows:

- Cure new asphalt pavement surfaces so that there is no concentration of oils on the surface.
- A period of at least 60 days at +70°F daytime temperatures must elapse between the placement of a hot mixed asphalt concrete surface course and the application of the seal coat.
- Perform a water-break-free test to confirm that the surface oils have degraded and dissipated. (Cast one gallon of clean water out over the surface. The water should sheet out and wet the surface uniformly without crawling or showing oil rings.) If asphalt does not pass this test, additional time must be allowed for extra curing and retesting prior to sealing.
- Where oil spot priming is needed, remove oil or grease that has not penetrated the asphalt pavement by scraping or by scrubbing with a detergent, then wash thoroughly with clean water. After cleaning, treat these areas with the oil spot primer.
- To ensure adhesion to sound but oxidized pavements, mix and apply a prime coat of a type and at a rate recommended by the coal tar emulsion manufacturer, after all loose aggregate is removed.

631-4.5 MIXING. Blend the coal tar emulsion mixture in the equipment described in paragraph 631-4.2 using the ingredients described in Table 2. The mixing must produce a smooth homogeneous mixture of uniform consistency. (Consult coal tar emulsion supplier for its recommended order of addition of the ingredients.) During the entire mixing and application process, no breaking, segregating or hardening of the emulsion, nor balling or lumping of the sand is to be permitted. Continue to agitate the seal coating mixture in the mixing tank at all times prior to and during application so that a consistent mix is available for application.

Small additional increments of water may be needed to provide a workable consistency, but in no case is the water content to exceed the specified amount.

631-4.6 Application of Slurry Seal Coat. The aggregate filled slurry seal coat shall be applied at a uniform rate determined in paragraph 631-3.4.

In order to provide maximum adhesion, the pavement shall be dampened with a fog spray of water if recommended by the supplier. No standing water shall remain on the surface.

If a prime coat is required, mix and apply the prime coat as specified in paragraph 631-4.3 for existing pavements or paragraph 631-4.4 for new pavements.

Apply the first coat uniformly to obtain the rate determined in paragraph 631-3.4.

Each coat shall be allowed to dry and cure initially before applying any subsequent coats. The initial drying shall allow evaporation of water of the applied mixture, resulting in the coating being able to sustain light foot traffic. The initial curing shall enable the mixture to withstand vehicle traffic without damage to the seal coat.

Apply the second coat in the same manner as outlined for the first coat.

Additional coats shall be applied over the entire surface as directed by the engineer.

The finished surface shall present a uniform texture.

The final coat shall be allowed to dry a minimum of eight hours in dry daylight conditions before opening to traffic, and initially cure enough to support vehicular traffic without damage to the seal coat.

Where marginal weather conditions exist during the eight hour drying time, additional drying time shall be required. The length of time shall be as specified by the supplier. The surface shall be checked after the additional drying time for trafficability before opening the section to vehicle traffic.

Where striping is required, the striping paint utilized shall meet the requirements of P-620, shall be compatible with the seal coat and as recommended by the coal tar emulsion manufacturer.

QUALITY CONTROL

631-5.1 CONTRACTOR'S CERTIFICATION. The Contractor shall furnish the manufacturer's certification that each consignment of emulsion shipped to the project meets the requirements of Federal specification R-P-355, except that the water content shall not exceed 50 percent. The certification shall also indicate the solids and ash content of the emulsion and the date the tests were conducted. The certification shall be delivered to the Engineer prior to the beginning of work. The manufacturer's certification for the emulsion shall not be interpreted as a basis for final acceptance. Any certification received shall be subject to verification by testing samples received for project use.

The Contractor shall also furnish a certification demonstrating a minimum of three years experience in the application of coal-tar emulsion seal coats.

631-5.2 INSPECTION. The Owner shall have an independent technical consultant on the job site at the beginning of operations for application of coal-tar emulsion seal coats. The consultant shall have knowledge of the materials, procedures, and equipment described in this specification and shall assist the Contractor regarding proper mixing of the component materials and application of the seal coat. The consultant shall have a minimum of 3 years experience in the use of coal-tar seal coats. Documentation of this experience shall be furnished to the Engineer prior to the start of operations. The cost of the technical consultant shall be paid for by the Owner.

631-5.3 SAMPLING. A minimum of one sample per day shall be tested for the properties of Table 2. A random sample of approximately one-quarter of the composite mix will be obtained daily by the contractor and stored in a glass container. The containers shall be sealed against contamination and retained in storage by the Owner for a period of six months. Samples shall be stored at room temperature and not be subjected to freezing temperatures.

A sample of undiluted coal-tar emulsion shall be obtained from each consignment shipped to the job.

631-5.4 ENGINEER'S RECORDS. The Engineer will keep an accurate record of each batch of materials used in the formulation of the seal coat.

METHOD OF MEASUREMENT

631-6.1 The refined coal tar emulsion with additives shall be measured by the [gallon (liter)] [ton (kg)]. Only the actual quantity of undiluted refined coal tar emulsion with additives will be measured for payment.

631-6.2 Aggregate shall be measured by the ton (kg) of dry aggregate.

BASIS OF PAYMENT

631-7.1 Payment shall be made at the contract unit price per [gallon (liter)] (ton (kg)) for the refined coal tar emulsion with additives and at the contract price per ton (kg) for aggregate.

These prices shall be full compensation for furnishing all materials, preparing, mixing, and applying these materials, and for all labor, equipment, tools, and incidentals necessary to complete the item.

Payment will be made under:

Item P-631-7.1 Refined Coal Tar Emulsion with Additives for Slurry Coat—per [gallon (liter)]
[ton (kg)]

Item P-631-7.2 Aggregate—per ton (kg) of dry aggregate.

TESTING REQUIREMENTS

ASTM C 67 Sampling and Testing Brick and Structural Clay Tile

ASTM C 136 Sieve or Screen Analysis of Fine and Coarse Aggregates

ASTM D 160 Practice of Sampling Bituminous Materials

ASTM D 2939 Standard Test Methods for Emulsified Bitumens used as Protective Coatings.

MATERIAL REQUIREMENTS

ASTM D 490 Standard Specification for Road Tar

ASTM D 692 Standard Specification for Coarse Aggregate for Bituminous Paving Mixtures

ASTM C 3699 Kerosene

ASTM D 4866 Standard Performance Specification for Coal Tar Pitch Emulsion Pavement
Sealer Mix Formations Containing Mineral Aggregates and Optional Polymeric
Admixtures

FED SPEC R-P-355 Pitch, Coal-tar Emulsion (Coating for Bituminous Pavements) ASTM D 5727
Emulsified Refined Coal Tar (Mineral Colloid Type)

APPENDIX A

FUEL RESISTANCE TEST

ITEM P-631

FUEL RESISTANCE TEST ITEM P-631 TEST METHODS CRITERION

1. Scope

This method determines the resistance of the coal tar emulsion seal coat to kerosene.

2. Apparatus

- 2.1 2 6" X 6" square 16 gauge sheet metal masks with a 4" x 4" square center removed.
- 2.2 6" X 6" unglazed white ceramic tile with an absorption rate of 10-18 percent (determined in accordance with ASTM C 67).
- 2.3 Brass ring, 2" diameter and 2" high.
- 2.4 Kerosene meeting requirements of ASTM D 3699.
- 2.5 Silicone rubber sealant.

3. Procedure

- 3.1 Immerse the ceramic tile in distilled water for a minimum of ten minutes.
- 3.2 Remove excess water from the tile to produce a damp surface before applying the seal coat.
- 3.3 Using the mask described in 2.1 apply one layer of the coal tar emulsion mixture to the tile. Spread even with the top of the mask using a spatula or other straight edge.
- 3.4 Allow the sample to cure for 96 hours at 77 ± 2 degrees F. and 50 ± 10 percent relative humidity.
- 3.5 Position a second mask on top of the first mask.
- 3.6 Apply a second coat of coal tar emulsion mixture. Spread even with the top of the second mask.
- 3.7 Cure as in step 3.4.
- 3.8 After curing, affix the brass ring to the seal coat on the tile with silicone rubber sealant.
- 3.9 Fill the brass ring with kerosene.
- 3.10 After 24 hours, remove the kerosene from the brass ring, blot dry and immediately examine the film for softness and loss of adhesion. Immediately after the film is examined, break the tile in half, exposing that part of the tile whose film was subjected to the kerosene.
- 3.11 Evaluate for penetration of kerosene through the sealer and loss of adhesion.

4. Report

- 4.1 Report the results as pass or fail. Visible evidence of leakage or discoloration shall constitute failure of the fuel resistance test.

Criterion: A "pass" rating in the fuel resistance test is required prior to full production.

END OF ITEM P-631

PART VIII – FENCING

ITEM F-160 WIRE FENCE WITH WOOD POSTS (CLASSES A AND B FENCES)

DESCRIPTION

160-1.1 This item covers the requirements for furnishing materials and constructing new wire fences and gates with wood posts in accordance with the details included herein and as shown on the plans. The class of fence to be erected shall be either Class A, woven wire fencing surmounted by two strands of barbed wire, or Class B, four strands of barbed wire, as indicated on the plans and in the bid proposal.

MATERIALS

160-2 WIRE.

a. Woven Wire (Zinc-coated). The woven wire fence shall be 7-bar, 26-inch (66 cm) field fence with top and bottom wires No. 10 gauge, and filler and stay wires No. 12 1/2 gauge. Stay wires shall be spaced 6 inches (150 mm) apart. All wires shall be smooth galvanized steel wire, conforming to ASTM A 121, Type B. All wires shall be two-dip and shall be spaced as shown on the plans.

b. Barbed Wire (Zinc-coated). Zinc-coated barbed wire shall be 2-strand twisted No. 12 1/2 gauge galvanized steel wire with 4-point barbs of No. 14 gauge galvanized steel wire. All wire shall conform to ASTM A 121, Type A. The barbs shall be spaced approximately 4 inches (100 mm) apart.

c. Barbed Wire (Copper-covered). Copper-covered steel barbed wire shall conform to ASTM A 121, Type A.

d. Barbed Wire (Aluminum-coated). Aluminum-coated steel-barbed wire shall be 2-strand twisted No. 12 1/2 gauge. The 4-point barbs of No. 14 gauge aluminum-coated steel wire shall be spaced approximately 5 inches (125 mm) apart. The steel wire shall have a tensile strength of between 60,000 and 80,000 pounds per square inch (413 400 and 551 200 kPa), and the aluminum coating shall have a minimum weight of 0.30 ounce per square foot (0.07 kg/square meter) of wire surface on the No. 12 1/2 gauge line wires and 0.25 ounce per square foot (0.06 kg/square meter) of wire surface on the No. 14 gauge barbs.

e. Bracing Wire (Zinc-coated). Wire used for cable for bracing shall be No. 9 smooth galvanized soft wire.

160-2.2 GATES AND HARDWARE. Gates shall be constructed of galvanized steel tubing conforming to Fed. Spec. RR-F-191 and shall be the size shown on the plans. Heavily galvanized hinges and latches for wood posts shall be furnished with each gate. Either a bolt or lag screw hinge shall be used, and either a wing or butterfly latch shall be furnished.

160-2.3 POSTS.

a. Species. All posts shall be one of the following species of wood, unless otherwise noted in the proposal.

Group I	Group II
Cedar	Douglas-fir
Chestnut	Gum, Red
Cypress, Southern	Larch, Western
Locust, Black	Pine, Southern Yellow
Osage-orange	Pine, Lodgepole
Redwood	Tamarack
Yew, Pacific	Ash

Honeylocust	Maple, Sugar
Oak, White	Oak, Red
Mulberry	Spruce
Live Oak	

Posts of Group I may be used untreated, provided at least 75% of the wood is heartwood. Posts of less than 75% heartwood of Group I shall be given a preservative treatment for the part of the post that will have contact with the ground line in accordance with the method specified under subparagraph e(1) below. Posts of Group II shall be given a preservative treatment in accordance with the method specified under subparagraph e(2) below.

b. Quality. Posts shall be peeled, sound, straight-grained, free from decay, cracks, and splits; shakes shall not be in excess of 1/4 inch (6 mm) wide and 3 feet (90 cm) long. Checks (lengthwise separations of the wood in a generally radial direction) are permitted, provided they are not injurious.

c. Dimensions. All posts shall be of the length shown on the plans. Posts shall have the minimum top diameters shown on the plans or as specified. Sawed and split posts are acceptable in lieu of round posts provided their dimensions are such that round posts of required diameter could be turned therefrom.

d. Manufacture. Outer bark shall be completely removed from all posts including depressions. Inner bark shall be removed from all post surfaces to be treated, except inner bark may remain in depressions. The amount of wood shaved off in the removal of inner bark shall be held to a minimum.

e. Treatment.

(1) Butt treatment. All timber shall be thoroughly seasoned and dry (22% maximum moisture content) before applying preservative treatment. The treatment shall be by a process at least equal to a hot and cold bath process. The hot bath temperature shall be from 200 to 230 F (90 to 110 C) for a duration of 45 minutes, and the cold bath temperature not over 120 F (50 C) for a duration of 45 minutes. The preservative shall be either coal-gas tar or coke-oven tar creosote conforming to American Wood Preservers Association (AWPA) Specification No. 4 for Grade 1 creosote; or a 5% minimum, by weight, pentachlorophenol petroleum solution made by either mixing a liquid concentrate of pentachlorophenol in fuel oil or kerosene, or by dissolving pentachlorophenol crystals of technical purity in suitable fuel oil solvents, as specified by AWPA.

(2) Full length treatment. Posts shall be conditioned by air seasoning, steaming, or heating in oil in a manner that prevents injurious checking, splitting, or warping before treating. The treatment, care and preservative shall be in accordance with AWPA.

160-2.4 BRACES. Cleats, gate stops, and braces shall be of the size shown on the plans. They shall be of the same species and quality specified for the posts or approved by the Engineer, and they shall be free from knots larger than one-third the width of the piece. Gate stops shall be made of posts of suitable length. Braces may be made of posts of suitable length or of sawed lumber. All cleats, gate stops, and any braces in contact with the ground and for a distance of at least 6 inches (150 mm) above the ground shall be treated by the hot and cold bath process, specified herein for posts. The wire used in cable for bracing shall conform to 160-2.1e.

160-2.5 STAPLES. The staples shall be No. 9 galvanized steel wire, 1 inch (25 mm) long for hardwood posts and 1-1/2 inches (37 mm) long for use in softwood posts.

CONSTRUCTION METHODS

160-3.1 GENERAL. The fence shall be constructed in accordance with the details on the plans and as specified herein using new materials, and all work shall be performed in a workmanlike manner, satisfactory to the Engineer. Prior to the beginning of the work or upon the request of the Contractor, the Engineer shall locate the position of the work by establishing and marking the property line or fence line. When directed, the Contractor shall span the opening below the fence with barbed wire fastened to posts of extra length at locations of small natural or drainage ditches where it is not practical to conform the fence to the general contour of the ground surface. The new fence shall be permanently tied to the terminals of existing fences whenever required by the Engineer. The finished fence

shall be plumb, taut, true to line and ground contour, and complete in every detail. When directed, the Contractor shall stake down the woven wire fence at several points between posts.

When directed, in order to keep stock on adjoining property enclosed at all times, the Contractor shall arrange the work so that construction of the new fence will immediately follow the removal of existing fences. The length of unfenced section at any time shall not exceed 300 feet (90 m) or such length that the stock can be kept in the proper field. The work shall progress in this manner, and at the close of the working day, the newly constructed fence shall be tied to the unremoved existing fence. Any openings in the fence shall be guarded when stock is using the adjoining property.

160-3.2 CLEARING FENCE LINE. The site of the fence shall be sufficiently clear of obstructions, and surface irregularities shall be graded so that the fence will conform to the general contour of the ground. The fence line shall be cleared to a minimum width of 2 feet (60 cm) on each side of the centerline of the fence. This clearing shall consist of the removal of all stumps, brush, rocks, trees, or other obstructions that will interfere with proper construction of the fence. Stumps within the cleared area of the fence line shall be grubbed or excavated. The bottom of the fence shall be placed a uniform distance above ground as specified in the plans. When shown on the plans or as directed by the Engineer, the existing fences which coincide with, or are in a position to interfere with, the new fence location shall be removed by the Contractor as part of the construction work, unless such removal is listed as a separate item in the bid schedule. All holes remaining after post and stump removal shall be refilled with suitable soil, gravel, or other material acceptable to the Engineer and shall be compacted properly with tampers.

The work shall include the handling and disposal of all material cleared, of excess excavation and the removal of spoiled material regardless of the type, character, composition, or condition of such material encountered.

160-3.3 SETTING POSTS. Posts shall be set with large ends down, plumb, and in good line on the side on which the wire is to be fastened. Posts shall be set full depth and shall not be cut off to eliminate rock or other excavation. Where rock is encountered, it shall be removed, even if blasting is necessary, to provide full-depth and full-size holes. The bottoms of all posts shall be cut off square. The diameter of the holes shall be at least 6 inches (150 mm) larger than the diameter of the posts. When cleats are used on posts, the holes shall be dug large enough to accommodate them. After posts are placed and lined, the holes shall be backfilled with suitable material that shall be properly compacted by the use of tampers. The posts adjacent to end, corner, anchor, and gate posts shall be set and braced with braces and wire, as shown on the plans. No extra compensation shall be made for rock excavation. Rock excavation shall not be grounds for extension of time.

160-3.4 ANCHORING. Corner, end, gate, and adjacent intermediate posts shall be anchored, by gaining and spiking cleats to the sides of the posts, as indicated on the plans. No cleats will be required on other intermediate posts or on anchor posts.

160-3.5 BRACING. End, corner, anchor, and gate posts shall be braced by using a post of sufficient length or a piece of sawed lumber of the proper size, together with a wire cable. The wooden brace shall be gained and securely spiked into the end, corner, anchor, or gate posts and into the next intermediate posts about 6 inches (150 mm) from the top of the respective posts. A cable made of a double strand of galvanized soft wire shall be looped around the end, corner, anchor, or gate post near the ground and around the next intermediate post about 12 inches (300 mm) from the top. After the cable has been stapled in this position, it shall be twisted until tight. The staples used to hold the cable shall be not less than 1-1/2 inches (37 mm) long. The tool used for twisting the cable shall be left in place to permit later adjustment of bracing if found necessary. Anchor posts shall be set at approximately 500-foot (150 m) intervals and braced to the adjacent posts. Posts shall be braced before the wire fencing is placed.

160-3.6 INSTALLING WIRE. The wires shall be placed on the side of the posts away from the airport or as directed. The wire fence shall be placed on the posts at the height indicated on the plans. Longitudinal wires shall be installed parallel and drawn uniformly taut. The vertical stay wires of the woven wire fencing shall be straight and vertical. At end and gate posts the woven wire and barbed wire shall be wrapped once around the post; each longitudinal wire shall be stapled at least three times and the ends of these wires shall be tied with a snug, tight twist. Each longitudinal wire shall be stapled to each intermediate post with one steel wire staple; at the corner and anchor posts, two or more staples shall be used. The top strand of barbed wire of all fences shall be stapled with two staples in each post. All staples shall be set diagonally with the grain of the wood and driven up tight. After the

fence has been erected, the tops of the wood posts shall be sawed off with a 1-to-3 pitch. The bottom wire of the wire fencing shall clear the ground by not more than 4 inches (100 mm) or less than 1 inch (25 mm) at any place.

160-3.7 SPLICING WIRE. Wire splices in longitudinal wires will be permitted if made with an approved galvanized bolt-clamp splice or a wire splice made as follows: The end of the wires shall be carried 3 inches (75 mm) past the splice tool and wrapped around the other wire away from the tool for at least six turns in opposite directions. After the tool is removed, the space occupied by it shall be closed by pulling the ends together. The unused ends of the wires shall be cut close to make a neat, workmanlike job. Woven wire shall be spliced only at posts.

160-3.8 INSTALLING GATES. The gates shall be hung on gate fittings, as shown on the plans. Fittings on the gate posts shall be clamped, screwed, or bolted to prevent slipping. Gates shall be so erected as to swing in the direction indicated and shall be provided with gate stops, as specified or as shown on the plans. Gates shall be erected locations shown on the plans.

160-3.9 EXISTING FENCE CONNECTIONS. Wherever the new fence joins an existing fence, either at a corner or at the intersection of straight fence lines, a corner or anchor post shall be set at the junction and braced and anchored the same as herein described for corner posts.

If the connection is made at other than the corner of the new fence, the last span of the old fence shall contain a brace span.

160-3.10 CLEANING UP. The Contractor shall remove from the vicinity of the completed work all tools, buildings, equipment, etc., used during construction.

METHOD OF MEASUREMENT

160-4.1 Fences, Class A (Wood Posts) or Class B (Wood Posts), shall be measured in place from outside to outside of end posts or corner posts and shall be the length of fence actually constructed, except for the space occupied by the gates.

Driveway gates and walkway gates shall be measured in units for each gate installed and accepted.

BASIS OF PAYMENT

160-5.1 Payment will be made at the contract unit price per linear foot (meter) for Class A or Class B wire fence. This price shall be full compensation for furnishing all materials and for preparation, erection, and installation of these materials, and for all labor, equipment, tools and incidentals necessary to complete the item.

Payment will be made at the contract unit price per each for driveway or for walkway gates. This price shall be full compensation for furnishing all materials and for all preparation, erection, and installation of these materials and for all labor, equipment, tools, and necessary incidentals to complete the item.

Payment will be made under:

- Item F-160-5.1 Fence, Class A—per linear foot (meter)
- Item F-160-5.2 Fence, Class B—per linear foot (meter)
- Item F-160-5.3 Driveway Gates—per each
- Item F-160-5.4 Walkway Gates—per each

MATERIAL REQUIREMENTS

- ASTM A 121 Standard Specification for Zinc Coated (Galvanized) Steel Barbed Wire

FED SPEC Fencing, Wire and Post, Metal
RR-F-191/Gen

AWPA Specification No. 4 for Grade I Creosote

END OF ITEM F-160

Intentionally Left Blank

ITEM F-161 WIRE FENCE WITH STEEL POSTS (CLASSES C AND D FENCES)

DESCRIPTION

161-1.1 This item covers the requirements for furnishing materials and constructing new wire fences and gates with steel posts in accordance with the details included herein and as shown on the plans. The class of fence to be erected shall be either Class C, woven wire fencing surmounted by two strands of barbed wire, or Class D, four strands of barbed wire, as indicated on the plans and in the bid proposal.

MATERIALS

161-2.1 WIRE.

a. Woven Wire (Zinc-coated). The woven wire fencing shall be 7-bar, 26-inch (66 cm) field fence with top and bottom wires No. 10 gauge, and filler and stay wires No. 12 1/2 gauge. Stay wires shall be spaced 6 inches (150 mm) apart. All wire shall be smooth galvanized steel wire conforming to ASTM A 121, Type B. All wires shall be two-dip and spaced as shown on the plans.

b. Barbed Wire (Zinc-coated). Zinc-coated barbed wire shall be 2-strand twisted No. 12 1/2 gauge galvanized steel wire with 4-point barbs of No. 14 gauge galvanized steel wire. All wire shall conform to ASTM A 121, Type A. The barbs shall be spaced approximately 4 inches (100 mm) apart.

c. Barbed Wire (Copper-covered). Copper-covered steel barbed wire shall conform to ASTM A 121, Type A.

d. Barbed Wire (Aluminum-coated). Aluminum-coated steel barbed wire shall be 2-strand twisted No. 12 1/2 gauge. The 4-point barbs of No. 14 gauge aluminum-coated steel wire shall be spaced approximately 5 inches (125 mm) apart. The steel wire shall have a tensile strength of between 60,000 and 80,000 pounds per square inch (413 400 and 551 200 kPa) and the aluminum coating shall have a minimum weight of .30 ounce per square foot (0.07 kilogram per square meters) of wire surface on the No. 12 1/2 gauge line wire and .25 ounce per square foot (0.06 kg/square meter) of wire surface on the No. 14 gauge barbs.

e. Bracing Wire (Zinc-coated). Wire used for cable for bracing shall be No. 9 smooth galvanized soft wire.

161-2.2 FENCE POSTS, GATES, RAILS, BRACES, AND ACCESSORIES. These items, when specified, shall conform to the requirements of Fed. Spec. RR-F-191 and shall be zinc-coated.

161-2.3 CONCRETE. Concrete shall be of a commercial grade with a minimum 28-day compressive strength of 2500 psi.

CONSTRUCTION METHODS

161-3.1 GENERAL. The fence shall be constructed in accordance with the details on the plans and as specified herein using new materials, and all work shall be performed in a workmanlike manner satisfactory to the Engineer. Prior to the beginning of the work or upon the request of the Contractor, the Engineer shall locate the position of the work by establishing and marking the property line or fence line. When directed, the Contractor shall span the opening below the fence with barbed wire fastened to stakes of the required length at locations of small natural or drainage ditches where it is not practical to conform the fence to the general contour of the ground surface. The new fence shall be permanently tied to the terminals of existing fences whenever required by the Engineer. The finished fence shall be plumb, taut, true to line and ground contour, and complete in every detail. When directed, the Contractor shall stake down the woven wire fence at several points between posts.

When directed, in order to keep stock on adjoining property enclosed at all times, the Contractor shall arrange the work so that construction of the new fence will immediately follow the removal of existing fences. The length of

unfenced section at any time shall not exceed 300 feet (90 m) or such length that the stock can be kept in the proper field. The work shall progress in this manner and at the close of the working day the newly constructed fence shall be tied to the existing fence. Any openings in the fence shall be guarded when stock is using the adjoining property.

161-3.2 CLEARING FENCE LINE. The site of the fence shall be sufficiently cleared of obstructions, and surface irregularities shall be graded so that the fence will conform to the general contour of the ground. The fence line shall be cleared to a minimum width of 2 feet (60 cm) on each side of the centerline of the fence. This clearing shall consist of the removal of all stumps, brush, rocks, trees, or other obstructions that will interfere with proper construction of the fence. Stumps within the cleared area of the fence shall be placed a uniform distance above ground, as specified in the plans. When shown on the plans or as directed by the Engineer, the existing fences which coincide with, or are in a position to interfere with, the new fence location shall be removed by the Contractor as a part of the construction work unless such removal is listed as a separate item in the bid schedule. All holes remaining after post and stump removal shall be refilled with suitable soil, gravel, or other material acceptable to the Engineer and shall be compacted properly with tampers.

The work shall include the handling and disposal of all material cleared, excavated or removed, regardless of the type, character, composition, or condition of such material encountered.

161-3.3 INSTALLING POSTS. All posts shall be spaced as shown on the plans. Corner, brace, anchor, end, and gate posts shall be set in concrete bases as shown on the plans. The top of the base shall be slightly above the ground surface, trowel finished, and sloped to drain. Holes of full depth and size for the concrete bases for posts shall be provided even if blasting of rock or other obstructions is necessary. All line posts may be either driven or set in dug holes to a penetration of 3 feet (90 cm). All post setting shall be done carefully and to true alignment. Dirt removed for placing posts, anchor bars, flanges, etc., shall be replaced, tamped, and leveled. When posts are driven, care shall be exercised to prevent marring or buckling of the posts. Damaged posts shall be replaced at the Contractor's expense. No extra compensation will be made for rock excavation. Rock excavation shall not be grounds for extension of time.

161-3.4 BRACING. All corner, anchor, end, and gate posts shall be braced as shown on the plans. Anchor posts shall be set at approximately 500-foot (150 meters) intervals and braced to the adjacent posts.

161-3.5 INSTALLING WIRE. All barbed wire and woven wire shall be placed on the side of the post away from the airport, or as directed, at the height indicated on the plans. The woven wire shall be carefully stretched and hung without sag and with true alignment. Care shall be taken not to stretch the wire so tightly that it will break in cold weather or pull up corner and brace posts. All horizontal wires shall be fastened securely to each post by fasteners or clips designed for use with the posts furnished. The woven wire shall be wrapped around end, corner, and gate posts, and the ends of all horizontal wires shall be tied with snug, tight twists. The wire shall be secured to prevent slipping up and down the post. Barbed wire strands shall be stretched and each strand secured to each post to prevent slipping out of line or becoming loose. At end, corner, and gate posts the barbed wire shall be securely wrapped and anchored once about the post from outside and secured against slipping by tying the ends with snug, tight twists. However, on spans of less than 100 feet (30 m) both ends of the span need not be wrapped around the posts. The bottom wire of the woven wire fencing shall clear the ground by not more than 4 inches (100 mm) or less than 1 inch (25 mm) at any place.

161-3.6 SPLICING WIRE. Splices in barbed and woven wire will be permitted if made with an approved galvanized bolt-clamp splice or a wire splice made as follows: The ends of each wire shall be carried 3 inches (75 mm) past the splice tool and wrapped around the other wire for at least six turns in opposite directions. After the tool is removed, the space occupied by it shall be closed by pulling the ends together. The unused ends of the wire shall be cut close to make a neat, workmanlike job.

161-3.7 INSTALLING GATES. The gates shall be hung on gate fittings as shown on the plans. They shall be attached in such a manner that the gate cannot be lifted off the hinges. Gates shall be erected to swing in the direction indicated and shall be provided with gate stops, as specified or as shown on the plans. Gates shall be erected at locations shown on the plans.

161-3.8 EXISTING FENCE CONNECTIONS. Wherever the new fence joins an existing fence, either at a corner or at the intersection of straight fence lines, a corner or anchor post shall be set at the junction and braced and anchored the same as herein described for corner posts.

If the connection is made at other than the corner of the new fence, the last span of the old fence shall contain a brace span.

161-3.9 CLEANING UP. The Contractor shall remove from the vicinity of the completed work all tools, buildings, equipment, etc., used during construction.

METHOD OF MEASUREMENT

161-4.1 Fences, Class C (Steel Posts), or Class D (Steel Posts), shall be measured in place from outside to outside of end posts or corner posts and shall be the length of fence actually constructed, except for the space occupied by the gates.

Driveway gates and walkway gates shall be measured in units for each gate installed and accepted.

BASIS OF PAYMENT

161-5.1 Payment shall be made at the contract unit price per linear foot (meter) for Class C or Class D wire fence. This price shall be full compensation for furnishing all materials and for all preparation, erection, and installation of these materials, and for all labor, equipment, tools, and incidentals necessary to complete the item.

Payment will be made at the contract unit price per each for driveway or for walkway gates. This price shall be full compensation for furnishing all materials and for all preparation, erection, and installation of these materials, and for all labor, equipment, tools, and incidentals necessary to complete the item.

Payment will be made under:

- Item F-161-5.1 Fence, Class C—per linear foot (meter)
- Item F-161-5.2 Fence, Class D—per linear foot (meter)
- Item F-161-5.3 Driveway Gates—per each
- Item F-161-5.4 Walkway Gates—per each

MATERIAL REQUIREMENTS

- ASTM A 121 Standard Specification for Zinc Coated (Galvanized) Steel Barbed Wire
- FED SPEC Fencing, Wire, and Post, Metal
- RR-F-191/Gen

END OF ITEM F-161

Intentionally Left Blank

ITEM F-162 CHAIN-LINK FENCES

DESCRIPTION

162-1.1 This item shall consist of furnishing and erecting a chain-link fence in accordance with these specifications and the details shown on the plans and in conformity with the lines and grades shown on the plans or established by the Engineer.

MATERIALS

162-2.1 FABRIC. [The fabric shall be woven with a 9-gauge [galvanized steel wire] [polyvinyl chloride (PVC)-coated steel] [aluminum alloy] [zinc-5% aluminum mischmetal] wire in a 2-inch (50 mm) mesh and shall meet the requirements of [].] [The fabric shall be woven from a [] gauge aluminum-coated steel wire in a 2-inch (50 mm) mesh and shall conform to the requirements of ASTM A 491.]

Galvanized steel fabric shall conform to the requirements of ASTM A 392, Class 2.

Polyvinyl chloride-coated steel shall conform to the requirements of ASTM F 668, Class 2b.

Aluminum alloy fabric shall conform to the requirements of ASTM F 1183.

Zinc-5% aluminum mischmetal alloy coated steel shall conform to the requirements of ASTM F 1345, Class 2.

The Engineer shall specify 9 or 10 gauge aluminum-coated wire.

Metallic-coated fabric shall have a clear acrylic coating applied to the selvage area after weaving.

162-2.2 BARBED WIRE. Barbed wire shall be 2-strand 12-1/2 gauge [zinc-coated] [aluminum-coated] wire with 4-point barbs and shall conform to the requirements of [].

Zinc-coated barbed wire shall conform to the requirements of ASTM A 121, Class 3, Chain Link Fence Grade.

Aluminum-coated barbed wire shall conform to the requirements of ASTM A 121, Class II.

162-2.3 POSTS, RAILS AND BRACES. Line posts, rails, and braces shall conform to the requirements of ASTM F-1043 or ASTM F 1083 as follows:

[Galvanized tubular steel pipe shall conform to the requirements of Group IA, (Schedule 40) coatings conforming to Type A, or Group IC (High Strength Pipe), External coating Type B, and internal coating Type B or D.]

[Roll Formed Steel Shapes (C-Sections) shall conform to the requirements of Group IIA, and be galvanized in accordance with the requirements of F 1043, Type A.]

[Hot-Rolled Shapes (H Beams) shall meet the requirements of Group III, and be galvanized in accordance with the requirements of F 1043, Type A.]

[Aluminum Pipe shall conform to the requirements of Group IB.]

[Aluminum Shapes shall conform to the requirements of Group IIB.]

[Vinyl or polyester coated steel shall conform to the requirements of ASTM F 1043, Paragraph 7.3 Optional Supplemental Color Coating.]

[Composite posts shall conform to the strength requirements of ASTM F 1043 or ASTM F 1083. The strength loss of composite posts shall not exceed 10 percent when subjected to 3,600 hours of exposure to light and water in accordance with ASTM G 23, ASTM G 26, and ASTM G-53.]

Posts, rails, and braces furnished for use in conjunction with aluminum alloy fabric shall be aluminum alloy or composite.

Posts, rails, and braces, with the exception of galvanized steel conforming to F 1043 or ASTM F 1083, Group 1A, Type A, or aluminum alloy, shall demonstrate the ability to withstand testing in salt spray in accordance with ASTM B 117 as follows:

External: 1,000 hours with a maximum of 5% red rust.
Internal: 650 hours with a maximum of 5% red rust.

The dimensions of the posts, rails, and braces shall be in accordance with Tables I through VI of Fed. Spec. RR-F-191/3.

162-2.4 GATES. Gate frames shall consist of **[galvanized steel pipe] [polymer-coated steel pipe] [aluminum alloy pipe] [composite posts]** and shall conform to the specifications for the same material under paragraph 162-2.3. The fabric shall be of the same type material as used in the fence.

162-2.5 WIRE TIES AND TENSION WIRES. Wire ties for use in conjunction with a given type of fabric shall be of the same material and coating weight identified with the fabric type. Tension wire shall be 7-gauge marcelled steel wire with the same coating as the fabric type and shall conform to ASTM A 824.

All material shall conform to Fed. Spec. RR-F-191/4.

162-6 MISCELLANEOUS FITTINGS AND HARDWARE. Miscellaneous steel fittings and hardware for use with **[zinc-coated] [aluminum-coated] [zinc-5% aluminum-mischmetal alloy-coated]** steel fabric shall be of commercial grade steel or better quality, wrought or cast as appropriate to the article, and sufficient in strength to provide a balanced design when used in conjunction with fabric posts, and wires of the quality specified herein. **[All steel fittings and hardware shall be protected with a zinc coating applied in conformance with ASTM A 153.] [Miscellaneous aluminum fittings for use with aluminum alloy fabric shall be wrought or cast aluminum alloy.]** Barbed wire support arms shall withstand a load of 250 pounds (113 kg) applied vertically to the outermost end of the arm.

162-2.7 CONCRETE. Concrete shall be of a commercial grade with a minimum 28-day compressive strength of 2500 psi (17 240 kPa).

162-2.8 MARKING. Each roll of fabric shall carry a tag showing the kind of base metal (steel, aluminum, or aluminum alloy number), kind of coating, the gauge of the wire, the length of fencing in the roll, and the name of the manufacturer. Posts, wire, and other fittings shall be identified as to manufacturer, kind of base metal (steel, aluminum, or aluminum alloy number), and kind of coating.

CONSTRUCTION METHODS

162-3.1 CLEARING FENCE LINE. All trees, brush, stumps, logs, and other debris which would interfere with the proper construction of the fence in the required location shall be removed a minimum width of 2 feet (61 cm) on each side of the fence centerline before starting fencing operations. The cost of removing and disposing of the material shall not constitute a pay item and shall be considered incidental to fence construction.

162-3.2 INSTALLING POSTS. All posts shall be set in concrete at the required dimension and depth and at the spacing shown on the plans.

Posts should be spaced not more than 10 feet (3 m) apart and should be set a minimum of 36 inches (90 cm) in concrete footings. If the frost depth is greater than 36 inches (90 cm), the posts should be set accordingly. The posts holes shall be in proper alignment so that there is a minimum of 3 inches (75 mm) of concrete on all sides of the posts.

The concrete shall be thoroughly compacted around the posts by tamping or vibrating and shall have a smooth finish slightly higher than the ground and sloped to drain away from the posts. All posts shall be set plumb and to the required grade and alignment. No materials shall be installed on the posts, nor shall the posts be disturbed in any manner within 7 days after the individual post footing is completed.

Should rock be encountered at a depth less than the planned footing depth, a hole 2 inches (50 mm) larger than the greatest dimension of the posts shall be drilled to a depth of 12 inches (300 mm). After the posts are set, the remainder of the drilled hole shall be filled with grout, composed of one part Portland cement and two parts mortar sand. Any remaining space above the rock shall be filled with concrete in the manner described above.

In lieu of drilling, the rock may be excavated to the required footing depth. No extra compensation shall be made for rock excavation.

162-3.3 INSTALLING TOP RAILS. The top rail shall be continuous and shall pass through the post tops. The coupling used to join the top rail lengths shall allow for expansion.

162-3.4 INSTALLING BRACES. Horizontal brace rails, with diagonal truss rods and turnbuckles, shall be installed at all terminal posts.

162-3.5 INSTALLING FABRIC. The wire fabric shall be firmly attached to the posts and braced in the manner shown on the plans. All wire shall be stretched taut and shall be installed to the required elevations. The fence shall generally follow the contour of the ground, with the bottom of the fence fabric no less than 1 inch (25 mm) or more than 4 inches (100 mm) from the ground surface. Grading shall be performed where necessary to provide a neat appearance.

At locations of small natural swales or drainage ditches and where it is not practical to have the fence conform to the general contour of the ground surface, longer posts may be used and multiple strands of barbed wire stretched thereon to span the opening below the fence. The vertical clearance between strands of barbed wire shall be 6 inches (150 mm) or less.

Openings below the fence may also be spanned with barbed wire fastened to stakes.

The Engineer shall specify if tension wire is to be installed.

162-3.6 ELECTRICAL GROUNDS. Electrical grounds shall be constructed [where a power line passes over the fence] [at 500-foot (150 m) intervals]. [The ground shall be installed directly below the point of crossing.] The ground shall be accomplished with a copper clad rod 8 feet (240 cm) long and a minimum of 5/8 inch (15 mm) in diameter driven vertically until the top is 6 inches (150 mm) below the ground surface. A No. 6 solid copper conductor shall be clamped to the rod and to the fence in such a manner that each element of the fence is grounded. Installation of ground rods shall not constitute a pay item and shall be considered incidental to fence construction.

The Engineer shall indicate the location of all electrical grounds on the plans. Grounding may not be necessary with the use of composite posts.

METHOD OF MEASUREMENT

162-4.1 Chain-link fence will be measured for payment by the linear foot (meter). Measurement will be along the top of the fence from center to center of end posts, excluding the length occupied by gate openings.

Gates will be measured as complete units.

BASIS OF PAYMENT

162-5.1 Payment for chain-link fence will be made at the contract unit price per linear foot (meter).

Payment for driveway or walkway gates will be made at the contract unit price for each gate.

The price shall be full compensation for furnishing all materials, and for all preparation, erection, and installation of these materials, and for all labor equipment, tools, and incidentals necessary to complete the item.

Payment will be made under:

- Item F-162-5.1 Chain-Link Fence—per linear foot (meter)
- Item F-162-5.2 Driveway Gates—per each
- Item F-162-5.3 Walkway Gates—per each

MATERIAL REQUIREMENTS

- ASTM A 121 Zinc-Coated (Galvanized) Steel Barbed Wire
- ASTM A 123 Zinc (Hot-Dip Galvanized) Coatings on Iron and Steel Products
- ASTM A 153 Zinc Coating (Hot-Dip) on Iron and Steel Hardware
- ASTM A 392 Zinc-Coated Steel Chain-Link Fence Fabric
- ASTM A 491 Aluminum-Coated Steel Chain-Link Fence Fabric
- ASTM A 572 High-Strength Low-Alloy Columbium-Vanadium Steels of Structural Steel Quality
- ASTM A 653 Specification for Steel Sheet, Zinc-Coated (Galvanized) or Zinc-Iron Alloy-Coated (Galvannealed) by the Hot-Dip Process

ASTM A 824	Metallic-Coated Steel Marcellled Tension Wire for Use With Chain Link Fence
ASTM A 1011	Steel Sheet and Strip, Hot-Rolled, Carbon, Structural, High-Strength Low-Alloy and High-Strength Low-Alloy with Improved Formability
ASTM B 117	Standard Practice for Operating Salt Spray (Fog) Apparatus
ASTM B 221	Aluminum and Aluminum-Alloy Extruded Bars, Rods, Wire Shapes and Tubes
ASTM B 429	Aluminum-Alloy Extruded Structural Pipe and Tube
ASTM F 668	Poly(vinyl Chloride)(PVC) and other Organic Polymer-Coated Steel Chain-Link Fence Fabric
ASTM F 1043	Strength and Protective Coatings on Metal Industrial Chain Link Fence Framework
ASTM F 1083	Pipe, Steel, Hot-Dipped Zinc-coated (galvanized) Welded, for Fence Structures
ASTM F 1183	Aluminum Alloy Chain Link Fence Fabric
ASTM F 1345	Zinc-5% Aluminum-Mischmetal Alloy-Coated Steel Chain Link Fence Fabric
ASTM G 152	Operating Open Flame (Carbon-Arc) Light Apparatus for Exposure of Nonmetallic Materials
ASTM G 153	Operating Enclosed Carbon-Arc Light Apparatus for Exposure of Nonmetallic Materials
ASTM G 154	Operating Fluorescent Light Apparatus for UV Exposure of Nonmetallic Materials
ASTM G 155	Operating (Xenon- Arc) Light Apparatus for Exposure of Nonmetallic Materials
FED SPEC	Fencing, Wire and Post, Metal (Chain-Link Fence Posts, Top Rails and Braces) RR-F-191/3
FED SPEC	Fencing, Wire and Post, Metal (Chain-Link Fence Accessories) RR-F-191/4

END OF ITEM F-162

Intentionally Left Blank

ITEM F-163 WILDLIFE DETERRENT FENCE

DESCRIPTION

163-1.1 This item shall consist of furnishing and installing chain-link fence fabric underground along an existing chain link fence, constructing concrete pads at existing fence gates in accordance with these specifications and the details shown on the drawings and in conformity with the lines and grades shown on the plans or established by the Engineer.

MATERIALS

163-2.1 CHAIN LINK FENCE FABRIC. The fabric shall be woven with a 9-gauge galvanized steel wire in a 2-inch (50 mm) mesh and shall meet the requirements of ASTM A 392, Class II. The fabric shall be 5'-0" wide.

163-2.2 BARBED WIRE. Barbed wire shall be 2-strand 12-1/2 gauge zinc-coated wire with 4-point barbs and shall conform to the requirements of ASTM A 121, Class 3.

163-2.3 WIRE TIES AND TENSION WIRES. Wire fabric ties, wire ties, and tension wire for use in conjunction with a given type of fabric shall be of the same material identified with the fabric type. The tension wire shall be 7-gauge coiled spring wire coated similarly to the respective wire fabric being used.

Wire fabric ties shall be hog rings of galvanized steel wire not less than 9-gauge.

All material shall conform to Fed. Spec. RR-F-191/4.

163-2.4 MISCELLANEOUS FITTINGS AND HARDWARE. Miscellaneous steel fittings and hardware for use with zinc-coated steel fabric shall be of commercial grade steel or better quality, wrought or cast as appropriate to the article, and sufficient in strength to provide a balanced design when used in conjunction with fabric posts, and wires of the quality specified herein. All steel fittings and hardware shall be protected with a zinc coating applied in conformance with ASTM A 153.

163-2.5 CONCRETE PADS AT GATES. Concrete shall be of a commercial grade with a minimum 28-day compressive strength of 3000 psi.

163-2.6 MARKING. Each roll of fabric shall carry a tag showing the kind of base metal, kind of coating, the gauge of the wire, the length of fencing in the roll, and the name of the manufacturer. Posts, wire, and other fittings shall be identified as to manufacturer, kind of base metal, and kind of coating.

163-2.7 WEED CONTROL MATERIAL. A commercially available weed control material shall be applied at the manufacturer's recommended rate.

CONSTRUCTION METHODS

163-3.1 CLEARING FENCE LINE. All brush, stumps, logs, and other debris which would interfere with the proper construction of the fence in the required location shall be removed a minimum width of 4 feet on the side of the fence centerline before starting fencing operations. The material removed and disposed of shall not constitute a pay item and shall be considered incidental to fence construction.

163-3.2 INSTALLING FABRIC. Excavate ground to the depth required for proper installation of the fabric. Obtain Engineer's approval of depth of excavation before placing the wire fabric. Place the fabric and lap splice it to existing fence fabric and tie with wire ties at 2 foot 0 inch spacing. Cut wire fabric around fence post footing to allow proper placement. Backfill with native soil to original grade. Compact all backfill and fill to attain 90% of AASHTO T-180.

163-3.3 WEED CONTROL APPLICATION. Weed control material shall be applied over an area 3 feet wide, measured from the fence centerline, and over the wildlife fence. Apply weed control material as recommended by the manufacturer’s instructions and in compliance with state and local regulations.

METHOD OF MEASUREMENT

163-4.1 CHAIN LINK FENCE FABRIC. Chain-link fence fabric shall be measured for payment by the linear foot to the nearest foot. Measurement shall be along the fence from center to center of end or corner posts, excluding the length occupied by gate openings.

163-4.2 CONCRETE PADS AT GATES. Concrete pads at gates shall be measured by the unit.

163-4.3 BORROW FILL MATERIAL. Borrow material for fill will be furnished by the Contractor. This shall be measured by the cubic yard in place.

163-4.4 WEED CONTROL APPLICATION. Shall be measured by the linear foot.

BASIS OF PAYMENT

163-5.1 CHAIN LINK FENCE FABRIC. Payment for chain-link fence fabric shall be made at the contract unit price per linear foot. This price shall be full compensation for furnishing materials, all labor (including preparation, excavation, backfill, fill, and installation), equipment, tools, and incidentals necessary to complete this item. Utility locates shall be included in this pay item.

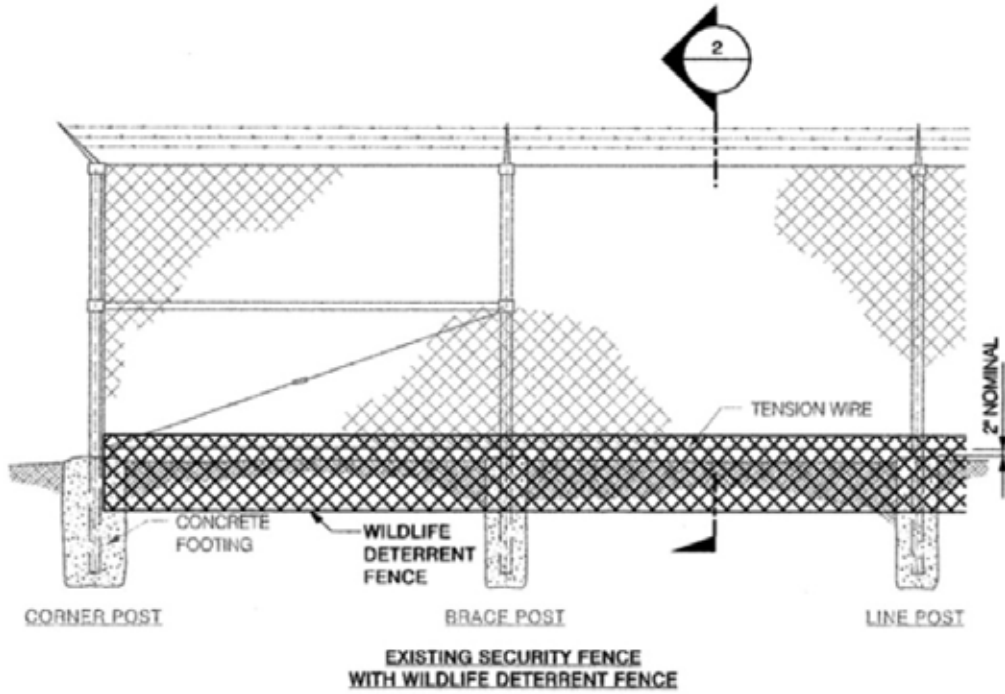
163-5.2 CONCRETE PADS AT GATES. Payment for concrete pads at gates shall be made at the contract unit price for each pad. This price shall be full compensation for furnishing materials, all labor (including preparation, excavation, backfill, placement of concrete, reinforcing steel, and forms), equipment, tools, and incidentals necessary to complete this item.

163-5.3 BORROW FILL MATERIAL. Payment for the loading, transporting, and placing of borrow material shall be made at the contract unit price per cubic yard. This price shall be full compensation for furnishing all labor (including placement, compaction, and grading), equipment, tools, and incidentals necessary to complete this item.

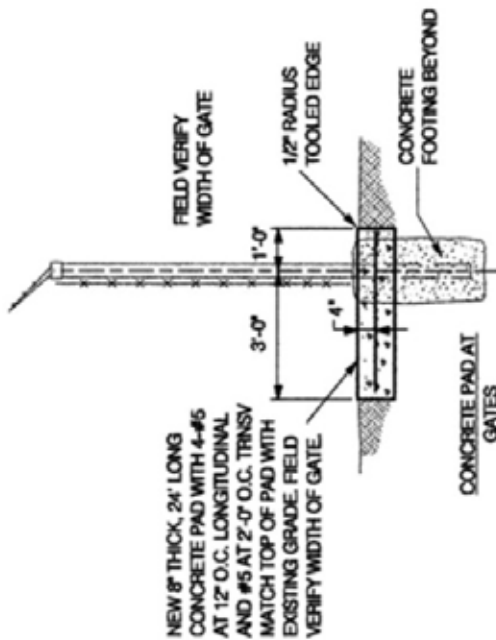
163-5.4 WEED CONTROL APPLICATION. Payment for weed control application shall be made at the contract unit price per linear foot. This price shall be full compensation for furnishing materials, all labor, equipment, tools, and incidentals necessary to complete this item.

163-5.5 EXAMPLES OF DETAILS. The following drawings are examples of details for a WILDLIFE DETERRENT FENCE. The fence type and dimensions shown will vary according to specific project design requirements.

The Engineer should delete paragraph 163-5.5 STANDARD DETAILS and the example drawings and incorporate appropriate/applicable design details on the project plans.

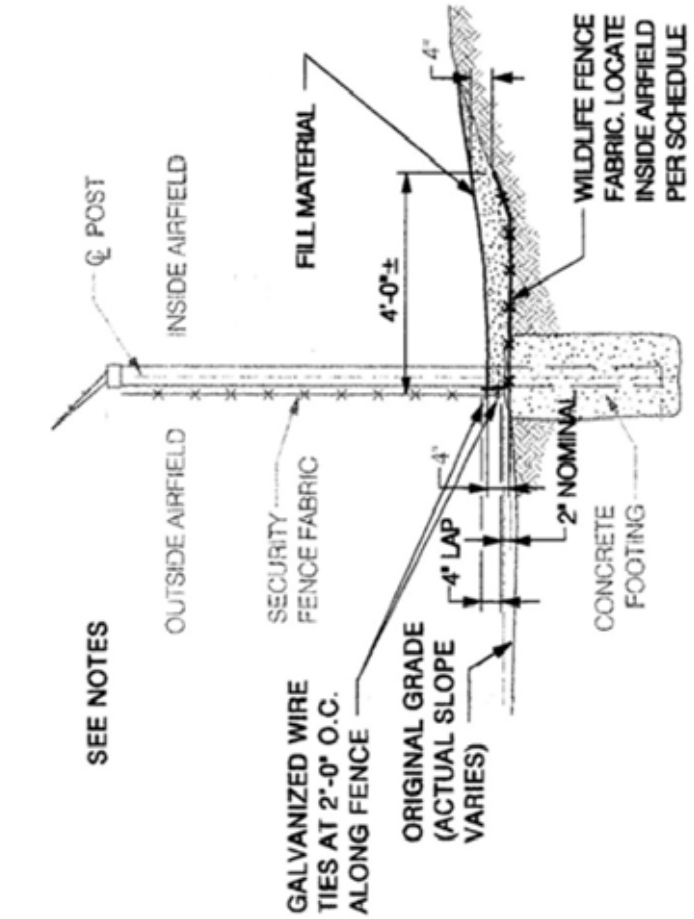


ELEVATION
TYPICAL NOT TO SCALE 1



TYPICAL NOTES:

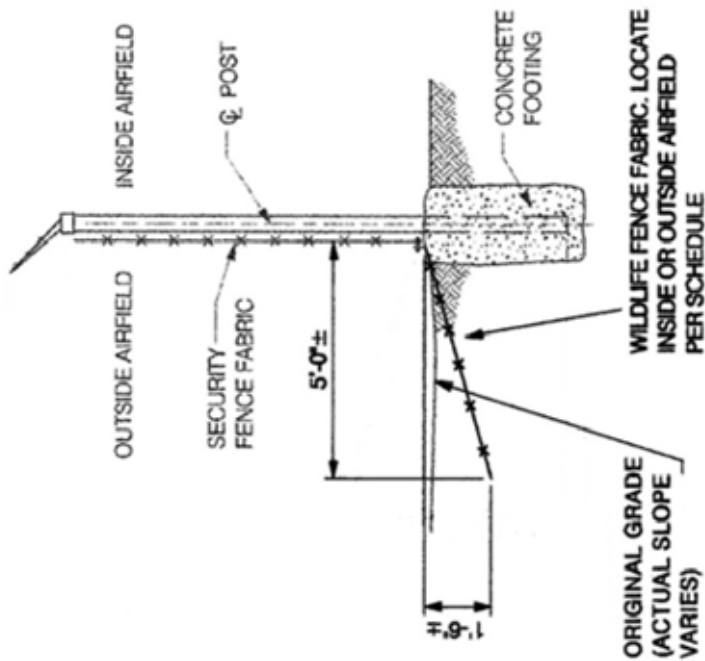
1. MAINTAIN SECURITY FENCE INTEGRITY AT ALL TIMES. DO NOT LEAVE EXCAVATION UNDER FENCE FABRIC WHICH WOULD PERMIT ACCESS.
2. DEPTH OF EXCAVATION SHALL BE INSPECTED AND APPROVED BY THE ENGINEER PRIOR TO PLACEMENT OF THE CHAIN LINK FENCE FABRIC.
3. END JOINTS BETWEEN ADJACENT SECTIONS OF WIRE FABRIC SHALL BE LAPPED 4" AND TIED WITH GALVANIZED WIRE TIES AT 2'-0" O.C. AND AT EDGES.



SEE NOTES

**EXISTING SECURITY FENCE
WITH WILDLIFE DETERRENT FENCE**

SECTION 2A
TYPICAL NOT TO SCALE



**EXISTING SECURITY FENCE
WITH WILDLIFE DETERRENT FENCE
(TYPICAL EXCEPT AS SHOWN ON SECTION 2A)**

SECTION 2
TYPICAL NOT TO SCALE

MATERIAL REQUIREMENTS

ASTM A 121	Zinc-Coated (Galvanized) Steel Barbed Wire
ASTM A 123	Zinc (Hot Galvanized) Coatings on Iron and Steel Products
ASTM A 153	Zinc Coating (Hot-Dip) on Iron and Steel Hardware
ASTM A 392	Zinc-Coated Steel Chain-Link Fence Fabric
ASTM A 572	High-Strength Low-Alloy Columbium-Vanadium Structural Steel
ASTM A 1011	Steel, Sheet and Strip Hot-Rolled, Carbon, Structural, High-Strength Low-Alloy and High-Strength Low-Alloy with Improved Formability
ASTM F 1043	Strength and Protective Coatings on Metal Industrial Chain Link Fence Framework
ASTM F 1083	Pipe, Steel, Hot-Dipped Zinc-coated (galvanized) Welded, for Fence Structures
AASHTO T-180	Moisture-Density Relations of Soils Using a 4.54-kg (10-lb) Rammer and a 457-mm (18-in) Drop
FED SPEC RR-F-191/3	Fencing, Wire and Post, Metal (Chain-Link Fence Posts, Top Rails and Braces)
FED SPEC RR-F-191/4	Fencing, Wire and Post, Metal (Chain-Link Fence Accessories)

END OF ITEM F-163

Intentionally Left Blank

PART IX – DRAINAGE

ITEM D-701 PIPE FOR STORM DRAINS AND CULVERTS

DESCRIPTION

701-1.1 This item shall consist of the construction of pipe culverts and storm drains in accordance with these specifications and in reasonably close conformity with the lines and grades shown on the plans.

MATERIALS

701-2.1 Materials shall meet the requirements shown on the plans and specified below.

The Engineer should indicate the required class, schedule, SDR, gage, and/or strength of pipe desired.

701-2.2 PIPE. The pipe shall be of the type called for on the plans or in the proposal and shall be in accordance with the following appropriate requirements.

Metallic Coated Corrugated Steel Pipe (Type I, IR or II)	ASTM A 760
Galvanized Steel Corrugated Structural Plates and Fasteners for Pipe, Pipe-Arches, and Arches	ASTM A 761
Polymer Precoated Corrugated Steel Pipe for Sewers and Drains	ASTM A 762
Post-Coated and Lined (Bituminous or Concrete) Corrugated Steel Sewer and Drainage Pipe	ASTM A 849
Steel Sheet, Zinc and Aramid Fiber Composite Coated for Corrugated Steel Sewer, Culvert, and Underdrain Pipe	A885/A885M-96
Corrugated Aluminum Alloy Culvert Pipe	ASTM B 745
Non-Reinforced Concrete Pipe	ASTM C 14
Reinforced Concrete Pipe	ASTM C 76
Reinforced Concrete D-Load Pipe	ASTM C 655
Reinforced Concrete Arch Pipe	ASTM C 506
Reinforced Concrete Elliptical Pipe	ASTM C 507
Precast Reinforced Concrete Box Sections	ASTM C 789 and C 850
Poly (Vinyl Chloride) Ribbed Drain Pipe & Fittings Based on Controlled Inside Diameter	ASTM F 794

Poly (Vinyl Chloride) (PVC) Corrugated Sewer Pipe With a Smooth Interior and Fittings	ASTM F 949
Bituminous-Coated Corrugated Metal Pipe and Pipe Arches	AASHTO M 190
Bituminous-Coated Corrugated Aluminum Alloy Culvert Pipe	AASHTO M 190 and M 196
Bituminous-Coated Structural Plate Pipe, Pipe Arch, and Arches	AASHTO M 167 and M 243
Aluminum Alloy Structural Plate for Pipe, Pipe Arch, and Arches	AASHTO M 219
Polyvinyl Chloride (PVC) Pipe	ASTM D 3034
Corrugated Polyethylene Drainage Tubing (all types)	AASHTO M 252
Corrugated Polyethylene Pipe 300 to 1200 mm Diameter (all types)	AASHTO M 294M
Poly (Vinyl Chloride) (PVC) Profile Wall Drain Pipe and Fittings Based on Controlled Inside Diameter	AASHTO M 304

The Engineer shall select the pipe used for the project and may delete inappropriate requirements from paragraph 701-2.2 and from the list of material requirements.

701-2.3 CONCRETE. Concrete for pipe cradles shall have a minimum compressive strength of 2000 psi (13.8 MPa) at 28 days and conform to the requirements of ASTM C 94.

701-2.4 RUBBER GASKETS. Rubber gaskets for rigid pipe shall conform to the requirements of ASTM C 443. Rubber gaskets for PVC pipe and polyethylene pipe shall conform to the requirements of ASTM F 477. Rubber gaskets for zinc-coated steel pipe and precoated galvanized pipe shall conform to the requirements of ASTM D 1056, for the "RE" closed cell grades.

701-2.5 JOINT MORTAR. Pipe joint mortar shall consist of one part portland cement and two parts sand. The portland cement shall conform to the requirements of ASTM C 150, Type I. The sand shall conform to the requirements of ASTM C 144.

701-2.6 JOINT FILLERS. Poured filler for joints shall conform to the requirements of ASTM D 1190.

701-2.7 PLASTIC GASKETS. Plastic gaskets shall conform to the requirements of AASHTO M 198 (Type B).

ASTM C 789 and C 850 are primarily manufacturing specifications. The box section dimensions, compressive strength of the concrete, and reinforcement details shown in the specifications have been designed for a combined earth dead load and AASHTO HS20 live load condition. A modified design will be necessary when aircraft loadings are greater than HS20 live loads.

[701-2.8. CONTROLLED LOW STRENGTH MATERIAL (CLSM). Controlled low strength material shall conform to the requirements of Item P-153. When CLSM is used all joints shall have gaskets.

Specification Item P-153 Controlled Low Strength Material (CLSM) contains guidance for use of CLSM. The locations where CLSM is permitted shall be shown on the plans. This paragraph and the option to allow Item P-153 in paragraph 701-3.5 must agree.

CONSTRUCTION METHODS

701-3.1 EXCAVATION. The width of the pipe trench shall be sufficient to permit satisfactory jointing of the pipe and thorough tamping of the bedding material under and around the pipe, but it shall not be less than the external diameter of the pipe plus 6 inches (150 mm) on each side. The trench walls shall be approximately vertical.

Where rock, hardpan, or other unyielding material is encountered, the Contractor shall remove it from below the foundation grade for a depth of at least 12 inches (300 mm) or one-half inch (12 mm) for each foot of fill over the top of the pipe (whichever is greater) but for no more than three-quarters of the nominal diameter of the pipe. The width of the excavation shall be at least 1 foot (30 cm) greater than the horizontal outside diameter of the pipe. The excavation below grade shall be backfilled with selected fine compressible material, such as silty clay or loam, and lightly compacted in layers not over 6 inches (150 mm) in uncompacted depth to form a uniform but yielding foundation.

Where a firm foundation is not encountered at the grade established, due to soft, spongy, or other unstable soil, the unstable soil shall be removed and replaced with approved granular material for the full trench width. The Engineer shall determine the depth of removal necessary. The granular material shall be compacted to provide adequate support for the pipe.

The excavation for pipes that are placed in embankment fill shall not be made until the embankment has been completed to a height above the top of the pipe as shown on the plans.

701-3.2 BEDDING. The pipe bedding shall conform to the class specified on the plans. When no bedding class is specified or detailed on the plans, the requirements for Class C bedding shall apply.

a. Rigid Pipe. Class A bedding shall consist of a continuous concrete cradle conforming to the plan details.

Class B bedding shall consist of a bed of granular material having a thickness of at least 6 inches (150 mm) below the bottom of the pipe and extending up around the pipe for a depth of not less than 30 percent of the pipe's vertical outside diameter. The layer of bedding material shall be shaped to fit the pipe for at least 10 percent of the pipe's vertical diameter and shall have recesses shaped to receive the bell of bell and spigot pipe. The bedding material shall be sand or selected sandy soil, all of which passes a 3/8 inch (9 mm) sieve and not more than 10 percent of which passes a No. 200 (0.075 mm) sieve.

Class C bedding shall consist of bedding the pipe in its natural foundation to a depth of not less than 10 percent of the pipe's vertical outside diameter. The bed shall be shaped to fit the pipe and shall have recesses shaped to receive the bell of bell and spigot pipe.

b. Flexible Pipe. For flexible pipe, the bed shall be roughly shaped to fit the pipe, and a bedding blanket of sand or fine granular material shall be provided as follows:

Pipe Corrugation Depth		Minimum Bedding Depth	
in.	mm	in.	mm
1/2	12.5	1	25.0
1	25.0	2	50.0
2	50.0	3	75.0
2-1/2	62.5	3-1/2	87.5

c. PVC and Polyethylene Pipe. For PVC and polyethylene pipe, the bedding material shall consist of coarse sands and gravels with a maximum particle size of 3/4-inch (13 mm). For pipes installed under paved areas, no more than 12 percent of the material shall pass the No. 200 (0.075 mm) sieve. For all other areas, no more than 50 percent of the material shall pass the No. 200 (0.075 mm) sieve. The bedding shall have a thickness of at least 6 inches (150 mm) below the bottom of the pipe and extend up around the pipe for a depth of not less than 50 percent of the pipe's vertical outside diameter.

701-3.3 LAYING PIPE. The pipe laying shall begin at the lowest point of the trench and proceed upgrade. The lower segment of the pipe shall be in contact with the bedding throughout its full length. Bell or groove ends of rigid pipes and outside circumferential laps of flexible pipes shall be placed facing upgrade.

Paved or partially lined pipe shall be placed so that the longitudinal center line of the paved segment coincides with the flow line.

Elliptical and elliptically reinforced pipes shall be placed with the manufacturer's top of pipe mark within five degrees of a vertical plane through the longitudinal axis of the pipe.

701-3.4 JOINING PIPE. Joints shall be made with (1) portland cement mortar, (2) portland cement grout, (3) rubber gaskets, (4) plastic gaskets, or (5) coupling bands.

Mortar joints shall be made with an excess of mortar to form a continuous bead around the outside of the pipe and shall be finished smooth on the inside. Molds or runners shall be used for grouted joints in order to retain the poured grout. Rubber ring gaskets shall be installed to form a flexible watertight seal.

a. Concrete Pipe. Concrete pipe may be either bell and spigot or tongue and groove. The method of joining pipe sections shall be such that the ends are fully entered and the inner surfaces are reasonably flush and even. Joints shall be thoroughly wetted before mortar or grout is applied.

b. Metal Pipe. Metal pipe shall be firmly joined by form fitting bands conforming to the requirements of ASTM A 760 for steel pipe and AASHTO M 196 for aluminum pipe.

c. PVC and Polyethylene Pipe. Joints for PVC and Polyethylene pipe shall conform to the requirements of ASTM D 3212 when water tight joints are required. Joints for PVC and Polyethylene pipe shall conform to the requirements of AASHTO M 304 when soil tight joints are required. Fittings for polyethylene pipe shall conform to the requirements of AASHTO M 252 or M 294M.

701-3.5 BACKFILLING. Pipes shall be inspected before any backfill is placed; any pipes found to be out of alignment, unduly settled, or damaged shall be removed and relaid or replaced at the Contractor's expense.

Material for backfill shall be fine, readily compatible soil, granular material selected from the excavation or a source of the Contractor's choosing, **or shall meet the requirements of Item P-153**. It shall not contain frozen lumps, stones that would be retained on a 2-inch (50.0 mm) sieve, chunks of highly plastic clay, or other objectionable material. No less than 95 percent of a granular backfill material shall pass through a 1/2 inch (12 mm) sieve, and no less than 95 percent of it shall be retained on a No. 4 (4.75 mm) sieve.

When the top of the pipe is even with or below the top of the trench, the backfill shall be compacted in layers not exceeding 6 inches (150 mm) on both sides of the pipe and shall be brought up one foot (30 cm) above the top of the

pipe or to natural ground level, whichever is greater. Care shall be exercised to thoroughly compact the backfill material under the haunches of the pipe. Material shall be brought up evenly on both sides of the pipe.

When the top of the pipe is above the top of the trench, the backfill shall be compacted in layers not exceeding 6 inches (150 mm) and shall be brought up evenly on both sides of the pipe to 1 foot (30 cm) above the top of the pipe. The width of backfill on each side of the pipe for the portion above the top of the trench shall be equal to twice the pipe's diameter of 12 feet (3.5 m), whichever is less.

For PVC and polyethylene pipe, the backfill shall be placed in two stages; first to the top of the pipe and then at least 12 inches (300 mm) over the top of the pipe. The backfill material shall meet the requirements of paragraph 701-3.2c.

All backfill shall be compacted to the density required under Item P-152.

METHOD OF MEASUREMENT

701-4.1 The length of pipe shall be measured in linear feet (meters) of pipe in place, completed, and approved. It shall be measured along the centerline of the pipe from end or inside face of structure to the end or inside face of structure, whichever is applicable. The several classes, types and size shall be measured separately. All fittings shall be included in the footage as typical pipe sections in the pipe being measured.

701-4.2 The volume of concrete for pipe cradles to be paid for shall be the number of cubic yards (cubic meters) of concrete that is completed in place and accepted.

701-4.3 The volume of rock to be paid for shall be the number of cubic yards (cubic meters) of rock excavated. No payment shall be made for the cushion material placed for the bed of the pipe.

BASIS OF PAYMENT

701-5.1 Payment will be made at the contract unit price per linear foot (meter) for each kind of pipe of the type and size designated; at the contract unit price per cubic yard (cubic meter) of concrete for pipe cradles; and at the contract unit price per cubic yard (cubic meter) for rock excavation.

These prices shall fully compensate the Contractor for furnishing all materials and for all preparation, excavation, and installation of these materials; and for all labor, equipment, tools, and incidentals necessary to complete the item.

Payment will be made under:

- Item 701-5.1 [] inch [] per linear foot (meter)
- Item 701-5.2 Concrete for pipe cradles—per cubic yard (cubic meter)
- Item 701-5.3 Rock excavation—per cubic yard (cubic meter)

The Engineer shall specify the size and type of pipe for each pipe size specified in the plans.

MATERIAL REQUIREMENTS

- ASTM A 760 Corrugated Steel Pipe, Metallic-Coated for Sewers and Drains

ASTM A 761	Corrugated Steel Structural Plate, Zinc Coated, for Field-Bolted Pipe, Pipe-Arches, and Arches
ASTM A 762	Corrugated Steel-Pipe, Polymer Precoated for Sewers and Drains
ASTM A 849 Drainage Pipe	Post-Applied Coatings, Pavings, and Linings for Corrugated Steel Sewer and Drainage Pipe
ASTM A 885/A 885M-96	Steel Sheet, Zinc and Aramid Fiber Composite Coated for Corrugated Steel Sewer, Culvert, and Underdrain Pipe
ASTM B 745	Corrugated Aluminum Alloy Culvert Pipe
ASTM C 14	Concrete Sewer, Storm Drain, and Culvert Pipe
ASTM C 76	Reinforced Concrete Culvert, Storm Drain, and Sewer Pipe
ASTM C 94	Ready Mixed Concrete
ASTM C 144	Aggregate for Masonry Mortar
ASTM C 150	Portland Cement
ASTM C 443	Joints for Circular Concrete Sewer and Culvert Pipe, Using Rubber Gaskets
ASTM C 506	Reinforced Concrete Arch Culvert, Storm Drain, and Sewer Pipe
ASTM C 507	Reinforced Concrete Elliptical Culvert, Storm Drain and Sewer Pipe
ASTM C 655	Reinforced Concrete D-Load Culvert, Storm Drain and Sewer Pipe
ASTM C 1433	Precast Reinforced Concrete Box Sections for Culverts, Storm Drains, and Sewers
ASTM D 1056	Flexible Cellular Materials—Sponge or Expanded Rubber
ASTM D 3034	Type PSM Poly (Vinyl Chloride) (PVC) Sewer Pipe and Fittings
ASTM D 3212	Joints for Drain and Sewer Plastic Pipes Using Flexible Elastomeric Seals
ASTM D 6690	Joint and Crack Sealants, Hot-Applied, for Concrete and Asphalt Pavements
ASTM F 477	Elastomeric Seals (Gaskets) for Joining Plastic Pipe
ASTM F 794	Poly (Vinyl Chloride) Ribbed Drain Pipe & Fittings Based on Controlled Inside Diameter
ASTM F 949	Poly (Vinyl Chloride) (PVC) Corrugated Sewer Pipe With a Smooth Interior and Fittings
AASHTO M 190	Bituminous-Coated Corrugated Metal Culvert Pipe and Pipe Arches
AASHTO M 196	Corrugated Aluminum Alloy Culverts and Underdrains
AASHTO M 198	Joints for Circular Concrete Sewer and Culvert Pipe Using Flexible Watertight Gaskets

AASHTO M 219	Aluminum Alloy Structural Plate for Pipe, Pipe-Arches, and Arches
AASHTO M 243	Field Applied Coating of Corrugated Metal Structural Plate for Pipe, Pipe-Arches, and Arches
AASHTO M 252	Corrugated Polyethylene Drainage Tubing
AASHTO M 294M	Corrugated Polyethylene Pipe, 300 to 1200 mm Diameter
AASHTO M 304	Poly (Vinyl Chloride) (PVC) Profile Wall Drain Pipe and Fittings Based on Controlled Inside Diameter

END ITEM D-701

Intentionally Left Blank

ITEM D-702 SLOTTED DRAINS

DESCRIPTION

702-1.1 This item shall consist of the construction of steel slotted drains or cast iron slotted vane drains in accordance with these specifications and in reasonably close conformity with the lines and grades shown on the plans. Type detail shall be shown on the plans.

MATERIALS

702-2.1 GENERAL. All slotted drains shall meet the requirements shown on the plans and specified below. All slotted drains shall meet specified hydraulic design requirements and shall support the loadings specified.

702-2.2 PIPE.

a. Steel slotted Drain. Pipe shall be metallic coated (galvanized or aluminized steel type II) corrugated steel type I meeting the requirements of ASTM A760. Pipe diameter and gage shall be as shown on the plans.

The corrugated steel pipe shall have a minimum of two rerolled annular ends.

b. Cast Iron Slotted Vane Drain. Polyvinyl Chloride (PVC) pipe shall meet the requirements of ASTM D 3034. Pipe diameter shall be as shown on the plans. The pipe shall have an open slot to accept the cast iron slotted vane drain castings.

702-2.3 GRATES AND CASTINGS.

a. Steel Slotted Drain. Grates shall be manufactured from ASTM A 36 or A 570, Grade 36 steel. Spacers and bearing bars (sides) shall be 3/16-inch (5 mm) material. The spacers shall be welded to each bearing bar with four 1-1/4-inch long 3/16-inch wide (32 mm long by 5 mm wide) fillet welds on each side of the bearing bar at spacings not exceeding 6 inches (150 mm). The grates shall be 6 inches (150 mm) high or as shown on the plans and shall have a maximum 1-3/4-inch (45 mm) opening in the top.

Grates shall be galvanized in accordance with ASTM A 123 except with a 2 ounce per square foot (0.61 kg per square meter) galvanized coating.

The grates shall be fillet welded to the corrugated steel pipe with a minimum weld 1 inch (25 mm) long on each side of the grate at every other corrugation. Weld areas and the heat affected zones where the slot is welded to the corrugated pipe shall be thoroughly cleaned and painted with a zinc-rich paint in accordance with repair of damaged coatings in ASTM A 760.

Each 20-foot (6.1 m) length of drain delivered to the job site shall be within the following tolerances: vertical bow +/- 3/8 inch (9.5 mm), horizontal bow +/- 5/8 inch (16 mm), twist +/- 1/2 inch (12.5 mm).

b. Cast Iron Slotted Vane Drain. Castings shall meet the requirements of ASTM A 48, Class 35B gray iron. Castings shall be furnished with no coatings.

Castings shall be designed to fit on open slots in 15-inch (380 mm) PVC pipe. Casting sections shall not exceed three feet (915 mm) in length. Casting sections shall have a built-in vane configuration with bar spacings not exceeding 6 inches (150 mm). The opening at the surface shall not exceed 3-3/4 inches (95 mm), and the vane shall be constructed on a radius so that the opening shall be less than 1-1/2 inches (38 mm) at a depth of 1-1/2 inches (38 mm) as measured vertically from the surface. Casting sections shall integrally lock into the concrete by use of top and bottoms flanges and shear tabs. Castings shall accept bolts for bolting sections together and shall accept wire for fitting to pipe.

The Engineer should note that certain standard details can be found in AASHTO AGC-ARTBA publication "A Guide to Standardized Highway Drainage Products". All products used shall meet the strict airport loading and tire pressure requirements.

702-2.3 CONCRETE.

a. Steel Slotted Drain. Concrete shall have a minimum compressive strength of 1,000 psi (6.9 Mpa) at 28-days when tested in accordance with ASTM C 39.

b. Cast Iron Slotted Vane Drain. Concrete shall have a minimum compressive strength of 3,000 psi (20.7 Mpa) at 28-days when tested in accordance with ASTM C 39.

[702-2.3 CONCRETE. Plain or reinforced concrete used shall conform to the requirements of Item P-610.]

If design requirements indicate the need for structural concrete, the Engineer should include Item P-610 Structural Portland Cement Concrete.

CONSTRUCTION METHODS

702-3.1 EXCAVATION. The width of the trench shall be sufficient to permit satisfactory installation and jointing of the slotted drain and placing of a high slump concrete backfill material under and around the drain, but shall not be less than the external pipe diameter plus 6 inches (150 mm) on each side. The depth of the trench shall be a minimum of 2 inches (51 mm) below the invert for steel slotted drain and 6 inches (150 mm) below the invert for cast iron slotted vane drain.

The trench may be roughly shaped to the slotted drain bed.

702-3.2 INSTALLATION. Steel slotted drain shall be laid in sections joined firmly together with coupling bands, or as shown on the plans. Cast iron drains shall be wired to the top of the PVC pipe in the slot cut in to receive the castings. The top of all drains shall be held firmly in place to the proper grade, to preclude movement during the backfilling operation.

702-3.3 JOINING. Slotted steel drain joints shall be firmly joined by modified hugger type bands, or as indicated, to secure the pipe and prevent infiltration of the backfill. When the slotted steel drain is banded together, the adjacent grates shall have a maximum 3 inch (76 mm) gap. Cast iron drains castings shall be bolted together.

702-3.4 BACKFILLING. Slotted drains shall be inspected before any backfill is placed. Damaged drains shall be aligned or replaced at the expense of the Contractor.

The slotted drain assembly shall be backfilled with concrete that will easily flow under and around the drain and the trench wall. The opening in the top of grates and castings shall be covered to prevent unwanted material from entering the drain during the backfilling and subsequent surfacing operations.

METHOD OF MEASUREMENT

702-4.1 The length of slotted drain shall be measured in linear feet (meters) of slotted drain in place, completed, and approved. It shall be measured along the centerline of the drain from end or inside face of structure to the end or

inside face of structure, whichever is applicable. The several classes, types, and sizes shall be measured separately. All fittings shall be included in the footage as typical pipe sections being measured.

BASIS OF PAYMENT

702-5.1 Payment shall be made at the contract unit price per linear foot (meter) for each kind of slotted drain type and size designated and at the contract unit price per cubic yard (cubic meter) of concrete for backfill.

These prices shall be full compensation for all materials, all preparation, excavation and installation of these materials; and all labor, equipment, tools, and incidentals necessary to complete the item.

Payment will be made under:

Item 702-5.1 [] inch (mm) diameter [gage] pipe per linear foot (meter)

The Engineer shall include a pay item for each size and gage pipe specified for each drain type.

Item 702-5.2 Concrete for backfill-per cubic yard (cubic meter).

TESTING REQUIREMENTS

ASTM C 39 Compressive Strength of Cylindrical Concrete Specimens

MATERIAL REQUIREMENTS

ASTM A 36 Structural Steel

ASTM A 48 Gray Iron Castings

ASTM A 123 Zinc Coating (Hot-Dip) on Iron and Steel Products

ASTM A 570 Steel, Sheet and Strip, Carbon, Hot-Rolled, Structural Quality

ASTM A 760 Corrugated Steel Pipe, Metallic-Coated for Sewers and Drains

ASTM D 3034 Type PSM Poly (Vinyl Chloride), (PVC), Sewer Pipe and Fittings

Information A guide to Standardized Highway Drainage Products disseminated under the sponsorship of the American Association of State Highway and Transportation Officials, Associated General Contractors, and the American Road and Transportation Builders Association

END OF ITEM D-702

Intentionally Left Blank

ITEM D-705 PIPE UNDERDRAINS FOR AIRPORTS

DESCRIPTION

705-1.1 This item shall consist of the construction of pipe drains in accordance with these specifications and in reasonably close conformity with the lines and grades shown on the plans.

MATERIALS

705-2.1 GENERAL. Materials shall meet the requirements shown on the plans and specified below.

The Engineer should indicate the required class, schedule, SDR, gage, and/or strength of pipe desired.

705-2.2 PIPE. The pipe shall be of the type called for on the plans or in the proposal and shall be in accordance with the following appropriate requirements.

Perforated Concrete Pipe	ASTM C 444
Porous Concrete Pipe	ASTM C 654
Polymer Precoated Perforated Corrugated Steel Pipe	ASTM A 762
Perforated Corrugated Aluminum Alloy Pipe	AASHTO M 196
Smooth-Wall Perforated PVC Pipe	ASTM F 758
Poly (Vinyl Chloride) Ribbed Drain Pipe & Fittings Based on Controlled Inside Diameter	ASTM F 794
Poly (Vinyl Chloride)(PVC) Corrugated Sewer Pipe With a Smooth Interior and Fittings	ASTM F 949
Perforated Corrugated Steel Pipe	ASTM A 760
Bituminous-Coated Perforated Corrugated Aluminum Alloy Pipe	AASHTO M 196 and M 190
Corrugated Polyethylene Drainage Tubing (all types)	AASHTO M 252
Corrugated Polyethylene Pipe, 300 to 1200 mm Diameter (all types)	AASHTO M 294M
Poly (Vinyl Chloride) (PVC) Profile Wall Drain Pipe and Fittings Based on Controlled Inside Diameter	AASHTO M 304

The Engineer shall select the pipe used for the project and may delete inappropriate requirements from paragraph 705-2.2 and from the list of material requirements.

705-2.3 JOINT MORTAR. Pipe joint mortar shall consist of one part portland cement and two parts sand. The portland cement shall conform to the requirements of ASTM C 150, Type I. The sand shall conform to the requirements of ASTM C 144.

705-2.4 ELASTOMERIC SEALS. Elastomeric seals shall conform to the requirements of ASTM F 477.

705-2.5 POROUS BACKFILL. Porous backfill shall be free of clay, humus, or other objectionable matter, and shall conform to the gradation in Table 1 when tested in accordance with ASTM C 136.

TABLE 1. GRADATION OF POROUS BACKFILL

Sieve Designation (square openings)	Percentage by Weight Passing Sieves	
	Porous Material No. 1	Porous Material No. 2
1-1/2 inch (38 mm)		100
1 inch (25 mm)		90 - 100
3/8 inch (9.5 mm)	100	25 - 60
No. 4 (4.75 mm)	95 - 100	5 - 40
No. 8 (2.36 mm)		0 - 20
No. 16 (1.18 mm)	45 - 80	
No. 50 (0.30 mm)	10 - 30	
No. 100 (0.15 mm)	0 - 10	

When two courses of porous backfill are specified in the plans, the finer of the materials shall conform to particle size tabulated herein for porous material No. 1. The coarser granular material shall meet the gradation given in the tabulation for porous material No. 2.

705-2.6. GRANULAR MATERIAL. Granular material used for backfilling shall conform to the requirements of ASTM D 2321 for Class IA, IB, or II materials, or shall meet the requirements of AASHTO Standard Specification for Highway Bridges Section 30.

705-2.7. FILTER FABRIC. The filter fabric shall conform to the requirements of AASHTO M 288-99, Class 2.

TABLE 2

Fabric Property	Test Method	Test Requirement
Grab Tensile Strength, lbs	ASTM D 4632	125 min
Grab Tensile Elongation %	ASTM D 4632	50 min
Burst Strength, psi	ASTM D 3785	125 min
Trapezoid Tear Strength, lbs	ASTM D 4533	55 min
Puncture Strength, lbs	ASTM D 4833	40 min
Abrasion, lbs	ASTM D 4886	15 max loss
Equivalent Opening Size	ASTM D 4751	70-100
Permittivity sec ⁻¹	ASTM D 4491	0.80
Accelerated Weathering (UV Stability)	ASTM D 4355 *(500 hrs exposure)	70
(Strength Retained - %)		

The Engineer shall specify Class 2 unless sufficient survivability information is available for a reduction in minimum property requirements. Permittivity and Apparent Opening Size requirements shall be based on knowledge of in situ soil.

705-2.8. CONTROLLED LOW STRENGTH MATERIAL (CLSM). Controlled low strength material shall conform to the requirements of Item P-153. When CLSM is used all joints shall have elastomeric seals.

Specification Item P-153 Controlled Low Strength Material (CLSM) contains guidance for use of CLSM. The locations where CLSM is permitted shall be shown on the plans.

CONSTRUCTION METHODS

705-3.1 EQUIPMENT. All equipment necessary and required for the proper construction of pipe underdrains shall be on the project, in first-class working condition, and approved by the Engineer before construction is permitted to start.

705-3.2 EXCAVATION. The width of the pipe trench shall be sufficient to permit satisfactory jointing of the pipe and thorough tamping of the bedding material under and around the pipe, but shall not be less than the external diameter of the pipe plus 6 inches (150 mm) on each side. The trench walls shall be approximately vertical.

Where rock, hardpan, or other unyielding material is encountered, it shall be removed below the foundation grade for a depth of at least 4 inches (100 mm). The excavation below grade shall be backfilled with selected fine compressible material, such as silty clay or loam, and lightly compacted in layers not over 6 inches (150 mm) in uncompacted depth to form a uniform but yielding foundation.

Where a firm foundation is not encountered at the grade established, due to soft, spongy, or other unstable soil, the unstable soil shall be removed and replaced with approved granular material for the full trench width. The Engineer shall determined the depth of removal necessary. The granular material shall be compacted to provide adequate support for the pipe.

Excavated material not required or acceptable for backfill shall be disposed of by the Contractor as directed by the Engineer. The excavation shall not be carried below the required depth; when this is done, the trench shall be backfilled at the Contractor's expense with material approved by the Engineer and compacted to the density of the surrounding earth material.

The bed for the pipe shall be so shaped that at least the lower quarter of the pipe shall be in continuous contact with the bottom of the trench. Spaces for the pipe bell shall be excavated accurately to size to clear the bell so that the barrel supports the entire weight of the pipe.

The Contractor shall do such trench bracing, sheathing, or shoring necessary to perform and protect the excavation as required for safety and conformance to governing laws. Unless otherwise provided, the bracing, sheathing, or shoring shall be removed by the Contractor after the completion of the backfill to at least 12 inches (300 mm) over the top of the pipe. The sheathing or shoring shall be pulled as the granular backfill is placed and compacted to avoid any unfilled spaces between the trench wall and the backfill material. The cost of bracing, sheathing, or shoring, and the removal of same, shall be included in the unit price bid per foot (meter) for the pipe.

705-3.3 LAYING AND INSTALLING PIPE.

a. Concrete Pipe. The laying of the pipe in the finished trench shall be started at the lowest point and laid upgrade. When bell and spigot pipe is used, the bells shall be laid upgrade. If tongue and groove pipe is used, the groove end shall be laid upgrade. Holes in perforated pipe shall be placed down, unless otherwise shown on the plans. The pipe shall be firmly and accurately set to line and grade so that the invert will be smooth and uniform. Pipe shall not be laid on frozen ground.

Pipe which is not true in alignment, or which shows any settlement after laying, shall be taken up and relaid without extra compensation.

b. Metal Pipe. The metal pipe shall be laid with the separate sections joined firmly together with bands, with outside laps of circumferential joints pointing upgrade, and with longitudinal laps on the sides. Any metal in the pipe or bands that is not protected thoroughly by galvanizing shall be coated with a suitable asphaltum paint.

During installation, the asphalt-protected pipe shall be handled without damaging the asphalt coating. Any breaks in the bitumen or treatment of the pipe shall be refilled with the type and kind of bitumen used in coating the pipe originally.

c. PVC or Polyethylene Pipe. PVC or polyethylene pipe shall be installed in accordance with the requirements of ASTM D 2321 or AASHTO Standard Specification for Highway Bridges Section 30. Perforations shall meet the requirements of AASHTO M 252 or M 294 Class 2, unless otherwise indicated on the plans. The pipe shall be laid accurately to line and grade.

d. All Types of Pipe. The upgrade end of pipelines, not terminating in a structure, shall be plugged or capped as approved by the Engineer.

Unless otherwise shown on the plans, a 4-inch (100 mm) bed of granular backfill material shall be spread in the bottom of the trench throughout the entire length under all perforated pipe underdrains.

Pipe outlets for the underdrains shall be constructed when required or shown on the plans. The pipe shall be laid with tight-fitting joints. Porous backfill is not required around or over pipe outlets for underdrains. All connections to other drainage pipes or structures shall be made as required and in a satisfactory manner. If connections are not made to other pipes or structures, the outlets shall be protected and constructed as shown on the plans.

e. Filter Fabric. The filter fabric shall be installed in accordance with the manufacturer's recommendations, or in accordance with AASHTO M 288-99 APPENDIX, unless otherwise shown on the plans.

705-3.4 MORTAR. The mortar shall be of the desired consistency for caulking and filling the joints of the pipe and for making connections to other pipes or to structures. Mortar that is not used within 45 minutes after water has been added shall be discarded. Retempering of mortar shall not be permitted.

705-3.5 JOINTS IN CONCRETE PIPE. When open or partly open joints are required or specified, they shall be constructed as indicated on the plans. The pipe shall be laid with the ends fitted together as designed. If bell and spigot pipe is used, mortar shall be placed along the inside bottom quarter of the bell to center the following section of pipe.

The open or partly open joints shall be surrounded with granular material meeting requirements of porous backfill No. 2 or as indicated on the plans. This backfill shall be placed so its thickness will be not less than 3 inches (75 mm) nor more than 6 inches (150 mm), unless otherwise shown on the plans.

When the original material excavated from the trench is impervious, commercial concrete sand or granular material meeting requirements of porous backfill No. 1 shall surround porous backfill No. 2, as shown on the plans or as directed by the Engineer.

When the original material excavated from the trench is pervious and suitable, it may be used as backfill in lieu of porous backfill No. 1, when indicated on the plans or as directed by the Engineer.

705-3.6 BACKFILLING.

a. Earth. All trenches and excavations shall be backfilled within a reasonable time after the pipes are installed, unless other protection of the pipe is directed. The backfill material shall be selected material from excavation or borrow; material which is placed within a nominal pipe diameter distance at the sides of the pipe and 1 foot (30 cm) over the top shall be material that can be readily compacted. It shall not contain stones retained on a 3-inch (75 mm) sieve, frozen lumps, chunks of highly plastic clay, or any other material that is objectionable to the Engineer. The material shall be moistened or dried, if necessary to be compacted by the method in use. Backfill material shall be

approved by the Engineer. Special care shall be taken in placing the backfill. Great care shall be used to obtain thorough compaction under the haunches and along the sides to the top of the pipe.

The backfill shall be placed in loose layers not exceeding 6 inches (150 mm) in depth under and around the pipe, and not exceeding 8 inches (200 mm) over the pipe. Successive layers shall be added and thoroughly compacted by hand and pneumatic tampers, approved by the Engineer, until the trench is completely filled and brought to the proper elevation. Backfilling shall be done in a manner to avoid injurious top or side pressures on the pipe.

In embankments and for other areas outside of pavements, the backfill shall be compacted to the density required for embankments in unpaved areas under Item P-152. Under paved areas, the subgrade and any backfill shall be compacted to the density required for embankments for paved areas under Item P-152.

b. Granular Material. When granular backfill is required, its placement in the trench and about the pipe shall be as shown on the plans. Special care shall be taken in placing the backfill. The granular backfill shall not contain a damaging amount of foreign matter, nor shall earth from the sides of the trench or from the windrow be allowed to filter into the backfill. When required by the Engineer, a template shall be used to properly place and keep separate the two sizes of backfill. The backfill shall be placed in loose layers not exceeding 6 inches (150 mm) in depth and compacted by hand and pneumatic tampers to the requirements as given for earth backfill. Backfilling shall be done in a manner to avoid injurious top or side pressure on the pipe. The granular backfill shall be made to the elevation of the trench, as shown on the plans.

When perforated pipe is specified, granular backfill material shall be placed along the full length of the pipe. The position of the granular material shall be as shown on the plans. If the original material excavated from the trench is pervious and suitable, it shall be used in lieu of porous backfill No. 1.

When porous backfill is to be placed in paved or adjacent areas prior to the completion of grading or subgrade operations, the backfill material shall be placed immediately after laying the pipe. The depth of this granular backfill shall be not less than 12 inches (300 mm), measured from the top of the underdrain. During subsequent construction operations, this minimum backfill of 12 inches (300 mm) of depth shall not be disturbed until such time as the underdrains are to be completed. When the underdrains are to be completed, the unsuitable material shall be removed until the porous backfill is exposed. That part of the porous backfill that contains objectionable material shall be removed and replaced with suitable material. The cost of removing and replacing any such unsuitable material shall be borne by the Contractor.

Whenever a granular subbase blanket course is to be used under pavements which extends several feet beyond the edge of paving to the outside edge of the underdrain trench, the granular backfill material over the underdrains shall be placed in the trench up to an elevation of 2 inches (50 mm) above the bottom surface of the granular subbase blanket course. Immediately prior to the placing of the granular subbase blanket course, the Contractor shall blade this excess trench backfill from the top of the trench onto the adjacent subgrade where it can be incorporated into the granular subbase blanket course. Any unsuitable material that remains over the underdrain trench shall be removed and replaced. The subbase material shall be placed to provide clean contact between the subbase material and the underdrain granular backfill material for the full width of the underdrain trench.

c. Controlled Low Strength Material (CLSM). Controlled low strength material shall conform to the requirements of Item P-153.

d. Deflection Testing. The Engineer may at any time, notwithstanding previous material acceptance, reject or require re-installation of pipe that exceeds 5 percent deflection when measured in accordance with ASTM D 2321, including Appendices.

705-3.7 CONNECTIONS. When the plans call for connections to existing or proposed pipe or structures, these connections shall be watertight and made so that a smooth uniform flow line will be obtained throughout the drainage system.

705-3.8 CLEANING AND RESTORATION OF SITE. After the backfill is completed, the Contractor shall dispose of all surplus material, dirt, and rubbish from the site. Surplus dirt may be deposited in embankments,

shoulders, or as ordered by the Engineer. Except for paved areas of the airport, the Contractor shall restore all disturbed areas to their original condition.

METHOD OF MEASUREMENT

705-4.1 The length of pipe to be paid for shall be the number of linear feet (meters) of pipe underdrains in place, completed, and approved; measured along the centerline of the pipe from end or inside face of structure to the end or inside face of structure, whichever is applicable. The several classes, types, and sizes shall be measured separately. All fittings shall be included in the footage as typical pipe sections in the pipeline being measured.

705-4.2 The quantity of porous backfill to be paid for shall be the number of cubic yards (cubic meters) of porous backfill No. 1 and No. 2, complete in place and accepted, and shall be determined from the dimensions given on the plans by typical trench sections indicating the placement of porous backfill or dimensions ordered by the Engineer.

705-4.3 The quantity of filter fabric to be paid for shall be the number of square yards (square meters) of filter fabric in place, completed, and approved; and shall be determined from the dimensions given on the plans by typical trench sections indicating the placement of filter fabric or dimensions ordered by the Engineer.

BASIS OF PAYMENT

705-5.1 Payment will be made at the contract unit price per linear foot (meter) for pipe underdrains of the type, class, and size designated; at the contract unit price [per cubic yard (cubic meter)][per ton (metric ton)] for porous backfill No.1; the contract unit price [per cubic yard (cubic meter)][per ton (metric ton)] for porous backfill No. 2, and at the contract unit price per square yard (square meter) for filter fabric. [per linear foot (meter) COMPLETE (including porous backfill and filter fabric.) These prices shall be full compensation for furnishing all materials and for all preparation, excavation, and installation of these materials, and for all labor, equipment, tools, and incidentals necessary to complete the item.

Payment will be made under:

- Item D-705-5.1 [] inch pipe (mm pipe) [] per linear foot (meter)
- Item D-705-5.2 Porous Backfill No. 1—[per cubic yard (cubic meter)][per ton (metric ton)]
- Item D-705-5.3 Porous Backfill No. 2—[per cubic yard (cubic meter)][per ton (metric ton)]
- Item D-705-5.4 Filter Fabric—per square yard (square meter)

[Item D-705-5.5 [] inch pipe (mm pipe) [] per linear foot (meter) COMPLETE (including porous backfill and filter fabric)]

The Engineer shall specify the size and type of pipe, filter fabric, and backfill material for each pipe size and type specified in the plans.

MATERIAL REQUIREMENTS

- ASTM A 760 Corrugated Steel Pipe, Metallic-Coated for Sewers and Drains
- ASTM A 762 Corrugated Steel Pipe, Polymer Precoated for Sewers and Drains
- ASTM C 136 Sieve Analysis of Fine and Coarse Aggregates

ASTM C 144	Aggregate for Masonry Mortar
ASTM C 150	Portland Cement
ASTM C 444	Perforated Concrete Pipe
ASTM C 654	Porous Concrete Pipe
ASTM D 2321	Underground Installation of Thermoplastic Pipe for Sewers and Other Gravity-Flow Applications
ASTM D 3034	Type PSM Poly(Vinyl Chloride) (PVC) Sewer Pipe and Fittings
ASTM F 477	Elastomeric Seals (Gaskets) for Joining Plastic Pipe
ASTM F 758	Smooth-Wall Poly(Vinyl Chloride) (PVC) Plastic Underdrain Systems for Highway, Airport, and Similar Drainage
ASTM F 794	Poly (Vinyl Chloride) Ribbed Drain Pipe & Fittings Based on Controlled Inside Diameter
ASTM F 949	Poly (Vinyl Chloride)(PVC) Corrugated Sewer Pipe with a Smooth Interior and Fittings
AASHTO M 190	Bituminous Coated Corrugated Metal Culvert Pipe and Pipe Arches
AASHTO M 196	Corrugated Aluminum Alloy Culverts and Underdrains
AASHTO M 252	Corrugated Polyethylene Drainage Tubing
AASHTO M 288-99	Geotextile Specification for Highway Applications
AASHTO M 294M	Corrugated Polyethylene Pipe, 300 to 1200 mm Diameter
AASHTO M 304	Poly (Vinyl Chloride) (PVC) Profile Wall Drain Pipe and Fittings Based on Controlled Inside Diameter
AASHTO	Standard Specifications for Highway Bridges

END OF ITEM D-705

Intentionally Left Blank

ITEM D-751 MANHOLES, CATCH BASINS, INLETS AND INSPECTION HOLES

DESCRIPTION

751-1.1 This item shall consist of construction of manholes, catch basins, inlets, and inspection holes, in accordance with these specifications, at the specified locations and conforming to the lines, grades, and dimensions shown on the plans or required by the Engineer.

MATERIALS

751-2.1 BRICK. The brick shall conform to the requirements of ASTM C 32, Grade SM.

751-2.2 MORTAR. Mortar shall consist of one part portland cement and two parts sand. The portland cement shall conform to the requirements of ASTM C 150, Type I. The sand shall conform to the requirements of ASTM C 144.

751-2.3 CONCRETE. Plain and reinforced concrete used in structures, connections of pipes with structures, and the support of structures or frames shall conform to the requirements of Item P-610.

751-2.4 PRECAST CONCRETE PIPE MANHOLE RINGS. Precast concrete pipe manhole rings shall conform to the requirements of ASTM C 478. Unless otherwise specified, the risers and offset cone sections shall have an inside diameter of not less than 36 inches (90 cm) nor more than 48 inches (120 cm).

751-2.5 CORRUGATED METAL. Corrugated metal shall conform to the requirements of AASHTO M 36.

751-2.6 FRAMES, COVERS, AND GRATES. The castings shall conform to one of the following requirements:

- a. Gray iron castings shall meet the requirements of ASTM A 48, Class 30B and 35B.
- b. Malleable iron castings shall meet the requirements of ASTM A 47.
- c. Steel castings shall meet the requirements of ASTM A 27.
- d. Structural steel for grates and frames shall conform to the requirements of ASTM A 283, Grade D.
- e. Ductile iron castings shall conform to the requirements of ASTM A 536.
- f. Austempered ductile iron castings shall conform to the requirements of ASTM A 897.

All castings or structural steel units shall conform to the dimensions shown on the plans and shall be designed to support the loadings, aircraft gear configuration and/or direct loading, specified.

Each frame and cover or grate unit shall be provided with fastening members to prevent it from being dislodged by traffic but which will allow easy removal for access to the structure.

All castings shall be thoroughly cleaned. After fabrication, structural steel units shall be galvanized to meet the requirements of ASTM A 123.

751-2.7 STEPS. The steps or ladder bars shall be gray or malleable cast iron or galvanized steel. The steps shall be the size, length, and shape shown on the plans and those steps that are not galvanized shall be given a coat of bituminous paint, when directed.

CONSTRUCTION METHODS

751-3.1 UNCLASSIFIED EXCAVATION.

a. The Contractor shall do all excavation for structures and structure footings to the lines and grades or elevations, shown on the plans, or as staked by the Engineer. The excavation shall be of sufficient size to permit the placing of the full width and length of the structure or structure footings shown. The elevations of the bottoms of footings, as shown on the plans, shall be considered as approximately only; and the Engineer may order, in writing,

changes in dimensions or elevations of footings necessary to secure a satisfactory foundation.

b. Boulders, logs, or any other objectionable material encountered in excavation shall be removed. All rock or other hard foundation material shall be cleaned of all loose material and cut to a firm surface either level, stepped, or serrated, as directed by the Engineer. All seams or crevices shall be cleaned out and grouted. All loose and disintegrated rock and thin strata shall be removed. When concrete is to rest on a surface other than rock, special care shall be taken not to disturb the bottom of the excavation, and excavation to final grade shall not be made until just before the concrete or reinforcing is to be placed.

c. The Contractor shall do all bracing, sheathing, or shoring necessary to implement and protect the excavation and the structure as required for safety or conformance to governing laws. The cost of bracing, sheathing, or shoring shall be included in the unit price bid for the structure.

d. Unless otherwise provided, bracing, sheathing, or shoring involved in the construction of this item shall be removed by the Contractor after the completion of the structure. Removal shall be effected in a manner that will not disturb or mar finished masonry. The cost of removal shall be included in the unit price bid for the structure.

e. After each excavation is completed, the Contractor shall notify the Engineer to that effect; and concrete or reinforcing steel shall be placed after the Engineer has approved the depth of the excavation and the character of the foundation material.

751-3.2 BRICK STRUCTURES.

a. Foundations. A prepared foundation shall be placed for all brick structures after the foundation excavation is completed and accepted. Unless otherwise specified, the base shall consist of reinforced concrete mixed, prepared, and placed in accordance with the requirements of Item P-610.

b. Laying Brick. All brick shall be clean and thoroughly wet before laying so that they will not absorb any appreciable amount of additional water at the time they are laid. All brick shall be laid in freshly made mortar. Mortar that is not used within 45 minutes after water has been added shall be discarded. Retempering of mortar shall not be permitted. An ample layer of mortar shall be spread on the beds and a shallow furrow shall be made in it that can be readily closed by the laying of the brick. All bed and head joints shall be filled solid with mortar. End joints of stretchers and side or cross joints of headers shall be fully buttered with mortar and a shoved joint made to squeeze out mortar at the top of the joint. Any bricks that may be loosened after the mortar has taken its set, shall be removed, cleaned, and relaid with fresh mortar. No broken or chipped brick shall be used in the face, and no spalls or bats shall be used except where necessary to shape around irregular openings or edges; in which case, full bricks shall be placed at ends or corners where possible, and the bats shall be used in the interior of the course. In making closures, no piece of brick shorter than the width of a whole brick shall be used; and wherever practicable, whole brick shall be used and laid as headers.

c. Joints. All joints shall be slushed with mortar at every course, but slushing alone will not be considered adequate for making an acceptable joint. Exterior faces shall be laid up in advance of backing. Exterior faces shall be back plastered or pargeted with a coat of mortar not less than 3/8-inch (9 mm) thick before the backing is laid up. Prior to pargeting, all joints on the back of face courses shall be cut flush. Unless otherwise noted, joints shall be not less than 1/4-inch (6 mm) nor more than 1/2-inch (12 mm) wide and whatever width is adopted shall be maintained uniform throughout the work.

d. Pointing. Face joints shall be neatly struck, using the weather joint. All joints shall be finished properly as the laying of the brick progresses. When nails or line pins are used the holes shall be immediately plugged with mortar and pointed when the nail or pin is removed.

e. Cleaning. Upon completion of the work all exterior surfaces shall be thoroughly cleaned by scrubbing and washing down with water and, if necessary to produce satisfactory results, cleaning shall be done with a 5% solution of muriatic acid which shall then be rinsed off with liberal quantities of clean fresh water.

f. Curing and Cold Weather Protection. In hot or dry weather, or when directed by the Engineer, the brick

masonry shall be protected and kept moist for at least 48 hours after laying the brick. Brick masonry work or pointing shall not be done when there is frost in the brick or when the air temperature is below 50 F (10 C) unless the Contractor has on the project ready to use, suitable covering and artificial heating devices necessary to keep the atmosphere surrounding the masonry at a temperature of not less than 60 F (15 C) for the duration of the curing period.

751-3.3 CONCRETE STRUCTURES. Concrete structures shall be built on prepared foundations, conforming to the dimensions and form indicated on the plans. The construction shall conform to the requirements specified in Item P-610. Any reinforcement required shall be placed as indicated on the plans and shall be approved by the Engineer before the concrete is poured.

All invert channels shall be constructed and shaped accurately so as to be smooth, uniform, and cause minimum resistance to flowing water. The interior bottom shall be sloped downward toward the outlet.

751-3.4 PRECAST CONCRETE PIPE STRUCTURES. Precast concrete pipe structures shall be constructed on prepared or previously placed slab foundations and shall conform to the dimensions and locations shown on the plans. All precast concrete pipe sections necessary to build a completed structure shall be furnished. The different sections shall fit together readily, and all jointing and connections shall be cemented with mortar. The top of the upper precast concrete pipe member shall be suitably formed and dimensioned to receive the metal frame and cover or grate, or other cap, as required. Provision shall be made for any connections for lateral pipe, including drops and leads that may be installed in the structure. The flow lines shall be smooth, uniform, and cause minimum resistance to flow. The metal steps that are embedded or built into the side walls shall be aligned and placed at vertical intervals of 12 inches (300 mm). When a metal ladder replaces the steps, it shall be securely fastened into position.

751-3.5 CORRUGATED METAL STRUCTURES. Corrugated metal structures shall be constructed on prepared foundations, conforming to the dimensions and locations as shown on the plans. The structures shall be prefabricated. standard or special fittings shall be furnished to provide pipe connections or branches of correct dimensions. The connections or branches shall be of sufficient length to accommodate connecting bands. The fittings shall be welded in place to the metal structures. When indicated, the structures shall be placed on a reinforced concrete base. The top of the metal structure shall be designed so that either a concrete slab or metal collar may be attached to which can be fastened a standard metal frame and grate or cover. Steps or ladders shall be furnished as shown on the plans.

751-3.6 INLET AND OUTLET PIPES. Inlet and outlet pipes shall extend through the walls of the structures for a sufficient distance beyond the outside surface to allow for connections but shall be cut off flush with the wall on the inside surface, unless otherwise directed. For concrete or brick structures, the mortar shall be placed around these pipes so as to form a tight, neat connection.

751-3.7 PLACEMENT AND TREATMENT OF CASTINGS, FRAMES, AND FITTINGS. All castings, frames, and fittings shall be placed in the positions indicated on the plans or as directed by the Engineer, and shall be set true to line and to correct elevation. If frames or fittings are to be set in concrete or cement mortar, all anchors or bolts shall be in place and position before the concrete or mortar is placed. The unit shall not be disturbed until the mortar or concrete has set.

When frames or fittings are to be placed upon previously constructed masonry, the bearing surface or masonry shall be brought true to line and grade and shall present an even bearing surface in order that the entire face or back of the unit will come in contact with the masonry. The unit shall be set in mortar beds and anchored to the masonry as indicated on the plans or as directed and approved by the Engineer. All units shall set firm and secure.

After the frames or fittings have been set in final position and the concrete or mortar has been allowed to harden for 7 days, then the grates or covers shall be placed and fastened down.

751-3.8 INSTALLATION OF STEPS. The steps shall be installed as indicated on the plans or as directed by the Engineer. When the steps are to be set in concrete, they shall be placed and secured in position before the concrete is poured. When the steps are installed in brick masonry, they shall be placed as the masonry is being built. The

steps shall not be disturbed or used until the concrete or mortar has hardened for at least 7 days. After this period has elapsed, the steps shall be cleaned and painted, unless they have been galvanized.

When steps are required with precast concrete pipe structures, they shall be cast into the sides of the pipe at the time the pipe sections are manufactured or set in place after the structure is erected by drilling holes in the concrete and cementing the steps in place.

When steps are required with corrugated metal structures, they shall be welded into aligned position at a vertical spacing of 12 inches (300 mm).

In lieu of steps, prefabricated ladders may be installed. In the case of brick or concrete structures, the ladder shall be held in place by grouting the supports in drilled holes. In the case of metal structures, the ladder shall be secured by welding the top support and grouting the bottom support into drilled holes in the foundation or as directed.

751-3.9 BACKFILLING.

a. After a structure has been completed, the area around it shall be filled with approved material, in horizontal layers not to exceed 8 inches (200 mm) in loose depth, and compacted to the density required in Item P-152. Each layer shall be deposited all around the structure to approximately the same elevation. The top of the fill shall meet the elevation shown on the plans or as directed by the Engineer.

b. Backfilling shall not be placed against any structure until permission is given by the Engineer. In the case of concrete, such permission shall not be given until the concrete has been in place 7 days, or until tests made by the laboratory under supervision of the Engineer establish that the concrete has attained sufficient strength to provide a factor of safety against damage or strain in withstanding any pressure created by the backfill or the methods used in placing it.

c. Backfill shall not be measured for direct payment. Performance of this work shall be considered on obligation of the Contractor covered under the contract unit price for the structure involved.

When structures are located within the runway safety area, POFA, RPZ, etc., the elevation of the structures shall be set to meet the grading requirements of these areas.

751-3.10 CLEANING AND RESTORATION OF SITE. After the backfill is completed, the Contractor shall dispose of all surplus material, dirt, and rubbish from the site. Surplus dirt may be deposited in embankments, shoulders, or as ordered by the Engineer. The Contractor shall restore all disturbed areas to their original condition.

After all work is completed, the Contractor shall remove all tools and equipment, leaving the entire site free, clear, and in good condition.

METHOD OF MEASUREMENT

751-4.1 Manholes, catch basins, inlets, and inspection holes shall be measured by the unit.

BASIS OF PAYMENT

751-5.1 The accepted quantities of manholes, catch basins, inlets, and inspection holes will be paid for at the contract unit price per each in place when completed. This price shall be full compensation for furnishing all materials and for all preparation, excavation, backfilling and placing of the materials; furnishing and installation of such specials and connections to pipes and other structures as may be required to complete the item as shown on the plans; and for all labor equipment, tools and incidentals necessary to complete the structure.

Payment will be made under:

Item D-751-5.1	Manholes—per each
Item D-751-5.2	Catch Basins—per each
Item D-751-5.3	Inlets—per each
Item D-751-5.4	Inspection Holes—per each

MATERIAL REQUIREMENT

ASTM A 27	Steel Castings, Carbon, for General Application
ASTM A 47	Ferritic Malleable Iron Castings
ASTM A 48	Gray Iron Castings
ASTM A 123	Zinc Coating (Hot-Dip) on Iron and Steel Hardware
ASTM A 283	Low and Intermediate Tensile Strength Carbon Steel Plates, Shapes, and Bars
ASTM A 536	Ductile Iron Castings
ASTM A 897	Austempered Ductile Iron Castings
ASTM C 32	Sewer and Manhole Brick (Made from Clay or Shale)
ASTM C 144	Aggregate for Masonry Mortar
ASTM C 150	Portland Cement
ASTM C 478	Precast Reinforced Concrete Manhole Sections
AASHTO M 36	Zinc Coated (Galvanized) Corrugated Iron or Steel Culverts and Underdrains

END OF ITEM D-751

Intentionally Left Blank

ITEM D-752 CONCRETE CULVERTS, HEADWALLS, AND MISCELLANEOUS DRAINAGE STRUCTURES

DESCRIPTION

752-1.1 This item shall consist of [plain][reinforced] concrete culverts, headwalls, and miscellaneous drainage structures constructed in accordance with these specifications, at the specified locations and conforming to the lines, grades, and dimensions shown on the plans or required by the Engineer.

MATERIALS

752-2.1 CONCRETE. [Plain][reinforced] concrete shall meet the requirements of Item P-610.

CONSTRUCTION METHODS

752-3.1 UNCLASSIFIED EXCAVATION.

a. Trenches and foundation pits for structures or structure footings shall be excavated to the lines and grades or elevations shown on the plans. The excavation shall be of sufficient size to permit the placing of the full width and length of the structure or structure footings shown. The elevations of the bottoms of footings, as shown on the plans, shall be considered as approximate only; and the Engineer may order, in writing, changes in dimensions or elevations of footings necessary to secure a satisfactory foundation.

b. Boulders, logs, or any other objectionable material encountered in excavation shall be removed. All rock or other hard foundation material shall be cleaned of all loose material and cut to a firm surface either level, stepped, or serrated, as directed by the Engineer. All seams or crevices shall be cleaned out and grouted. All loose and disintegrated rock and thin strata shall be removed. When concrete is to rest on a surface other than rock, special care shall be taken not to disturb the bottom of the excavation, and excavation to final grade shall not be made until just before the concrete or reinforcing steel is to be placed.

c. The Contractor shall do all bracing, sheathing, or shoring necessary to perform and protect the excavation and the structure as required for safety or conformance to governing laws. The cost of bracing, sheathing, or shoring shall be included in the unit price bid for excavation.

d. Unless otherwise provided, bracing, sheathing, or shoring involved therewith shall be removed by the Contractor after the completion of the structure. Removal shall be effected in a manner that will not disturb or mar finished concrete. The cost of removal shall be included in the unit price bid for excavation.

e. After each excavation is completed, the Contractor shall notify the Engineer to that effect, and concrete or reinforcing steel shall be placed after the Engineer has approved the depth of the excavation and the character of the foundation material.

752-3.2 BACKFILLING.

a. After a structure has been completed, backfilling with approved material shall be accomplished by applying the fill in horizontal layers not to exceed 8 inches (200 mm) in loose depth, and compacted. The field density of the compacted material shall be at least 90 percent of the maximum density for cohesive soils and 95 percent of the maximum density for noncohesive soils. The maximum density shall be determined in accordance with ASTM D 698. The field density shall be determined in accordance with ASTM D 1556.

b. No backfilling shall be placed against any structure until permission is given by the Engineer. In the case of concrete, such permission shall not be given until the concrete has been in place 7 days, or until tests made by the laboratory under the supervision of the Engineer establish that the concrete has attained sufficient strength to provide a factor of safety against damage or strain in withstanding any pressure created by the backfill or the methods used in placing it.

c. Fill placed around concrete culverts shall be deposited on both sides at the same time and to approximately the same elevation. Care shall be taken to prevent any wedging action against the structure, and all slopes bounding or within the areas to be backfilled shall be stepped or serrated to prevent wedge action.

d. Backfill will not be measured for direct payment. Performance of this work under the contract is not payable directly but shall be considered as a subsidiary obligation of the Contractor, covered under the contract unit price for "unclassified excavation for structures."

752-3.3 WEEP HOLES. Weep holes shall be constructed as shown on the plans.

752-3.4 CLEANING AND RESTORATION OF SITE. After the backfill is completed, the Contractor shall dispose of all surplus material, dirt, and rubbish from the site. Surplus dirt may be deposited in embankment, shoulders, or as ordered by the Engineer. The Contractor shall restore all disturbed areas to their original condition.

After all work is completed, the Contractor shall remove all tools and equipment, leaving the entire site free, clear, and in good condition.

METHOD OF MEASUREMENT

752-4.1 The quantity of unclassified excavation for structures to be paid for shall be the number of cubic yards (cubic meters), measured in original position, of material excavated in accordance with the plans, or as directed by the Engineer; but in no case shall any yardage be included in the measurement for payment which is outside of a volume bounded by vertical planes 18 inches (45 cm) outside of and parallel to the neat lines of the footings.

752-4.2 Concrete shall be measured by the number of cubic yards (cubic meters) of concrete, complete in place and accepted. In computing the yardage of concrete for payment, the dimensions used shall be those shown on the plans or ordered by the Engineer. No measurements or other allowances shall be made for forms, false work, cofferdams, pumping, bracing, expansion joints, or finishing of the concrete. No deductions in yardage shall be made for the volumes of reinforcing steel or embedded items.

752-4.3 The quantity of reinforcing steel to be paid for shall be the calculated theoretical number of pounds (kilograms) placed as shown on the plans, complete in place and accepted. The unit weight used for deformed bars shall be the weight of plain square or round bars, as the case may be, of equal nominal size.

BASIS OF PAYMENT

752-5.1 Payment will be made at the contract unit price per cubic yard (cubic meter) for unclassified excavation for structures; at the contract unit price per cubic yard (cubic meter) for concrete for the structures; and at the contract unit price per pound (kilogram) for reinforcing steel. These prices shall be full compensation for furnishing all materials and for all preparation, excavation, and placing the materials, and for all labor, equipment, tools, and incidentals necessary to complete the structure.

Payment will be made under:

Item D-752-5.1 Unclassified Excavation for Structures—per cubic yard (cubic meter)

Item D-752-5.2 Structural Concrete—per cubic yard (cubic meter)

Item D-752-5.3 Reinforcing Steel—per pound (kilogram)

TESTING REQUIREMENTS

ASTM D 698 Moisture-Density Relations of Soils and Soil-Aggregate Mixtures Using 5.5 lb (2.49 kg) Rammer and 12-in (305 mm) Drop

ASTM D 1556 Density of Soil in Place by the Sand-Cone Method

END OF ITEM D-752

Intentionally Left Blank

ITEM D-754 CONCRETE GUTTERS, DITCHES, AND FLUMES

DESCRIPTION

754-1.1 This item shall consist of portland cement concrete gutters, ditches, and flumes constructed in accordance with these specifications at the specified locations in accordance with the dimensions, lines, and grades as shown on the plans.

MATERIALS

754-2.1 Concrete, plain and reinforced concrete shall meet the requirements of Item P-610.

754-2.2 JOINTS. Joint filler materials and premolded joint material shall conform to Item P-610.

CONSTRUCTION METHODS

754-3.1 PREPARING SUBGRADE. Excavation shall be made to the required width and depth, and the subgrade upon which the item is to be built shall be compacted to a firm uniform grade. All soft and unsuitable material shall be removed and replaced with suitable approved material. When required, a layer of approved granular material, compacted to the thickness indicated on the plans, shall be placed to form a subbase. The underlying course shall be checked and accepted by the Engineer before placing and spreading operations are started.

754-3.2 PLACING. The forms for and the mixing, placing, finishing, and curing of concrete shall conform to the requirements of Item P-610 and shall be in accordance with the following requirements.

The concrete shall be tamped and spaded until it is consolidated and mortar entirely covers and forms the top surface. The surface of the concrete shall be floated smooth and the edges rounded to the radii shown on the plans. Before the concrete is given the final finishing, the surface shall be tested with a 10-foot (3 m) straightedge, and any irregularities of more than 1/4 inch (6 mm) in 10 feet (3 m) shall be eliminated.

The concrete shall be placed with dummy-grooved joints not to exceed 25 feet (7.5 m) apart, except where shorter lengths are necessary for closures, but no section shall be less than 4 feet (120 cm) long.

Expansion joints of the type called for in the plans shall be constructed to replace a dummy groove at spacings of approximately 100 feet (30 m). When the gutter is placed next to concrete pavement, expansion joints in the gutter shall be located opposite expansion joints in the pavement. When a gutter abuts a pavement or other structure, an expansion joint shall be placed between the gutter and the other structure.

Forms shall not be removed within 24 hours after the concrete has been placed. Minor defects shall be repaired with mortar containing 1 part cement and 2 parts fine aggregate.

The operations of depositing, compacting, and finishing the item shall be conducted so as to build a satisfactory structure. If any section of concrete is found to be porous, other than minor defects that may be plastered, or is otherwise defective, it shall be removed and replaced by the Contractor without additional compensation.

754-3 BACKFILLING. After the concrete has set sufficiently, the spaces adjacent to the structure shall be refilled to the required elevation with material specified on the plans and compacted by mechanical equipment to at least 90% of the maximum density as determined by ASTM D 698. The in-place density shall be determined in accordance with ASTM D 1556.

754-3.4 CLEANING AND RESTORATION OF SITE. After the backfill is completed, the Contractor shall dispose of all surplus material, dirt, and rubbish from the site. Surplus dirt may be deposited in embankments, shoulders, or as ordered by the Engineer. The Contractor shall restore all disturbed areas to their original condition.

After all work is completed, the Contractor shall remove all tools and equipment, leaving the entire site free, clear and in good condition.

Performance of the work described in this section is not payable directly but shall be considered as a subsidiary obligation of the Contractor, covered under the contract unit price for the structure.

METHOD OF MEASUREMENT

754-4.1 Concrete shall be measured by the cubic yard (cubic meter) in accordance with the dimensions shown on the plans or ordered by the Engineer. No deductions shall be made for the volume occupied by reinforcing steel, anchors, conduits, weep holes, or piling.

754-4.2 Reinforcing steel shall be measured by the pound (kg), based on the theoretical number of pounds (kg) complete in place as shown on the plans or placed as ordered by the Engineer.

BASIS OF PAYMENT

754-5.1 The accepted quantities of structural concrete will be paid for at the contract unit price per cubic yard (cubic meter) complete in place.

754-5.2 The accepted quantities of reinforcing steel will be paid for at the contract price per pound (kg) complete in place. No allowance shall be made for clips, wire, or other material used for fastening reinforcement in place.

Payment will be made under:

Item D-754-5.1 Structural Concrete—per cubic yard (cubic meter)

Item D-754-5.2 Reinforcing Steel—per pound (kg)

TESTING REQUIREMENTS

ASTM D 698 Moisture-Density Relations of Soils and Soil-Aggregate Mixtures Using 5.5 lb (2.49 kg) Rammer and 12-inch (300 mm) Drop

ASTM D 1556 Density of Soil in Place by the Sand-Cone Method

END OF ITEM D-754

**PART X – TURFING
ITEM T-901 SEEDING**

DESCRIPTION

901-1.1 This item shall consist of soil preparation, seeding [] the areas shown on the plans or as directed by the Engineer in accordance with these specifications.

The Engineer shall specify fertilizing or liming or both as needed for a specific project.

MATERIALS

901-2.1 SEED The species and application rates of grass, legume, and cover-crop seed furnished shall be those stipulated herein. Seed shall conform to the requirements of Fed. Spec. A-A-2671.

Seed shall be furnished separately or in mixtures in standard containers with the seed name, lot number, net weight, percentages of purity and of germination and hard seed, and percentage of maximum weed seed content clearly marked for each kind of seed. The Contractor shall furnish the Engineer duplicate signed copies of a statement by the vendor certifying that each lot of seed has been tested by a recognized laboratory for seed testing within 6 months of date of delivery. This statement shall include: name and address of laboratory, date of test, lot number for each kind of seed, and the results of tests as to name, percentages of purity and of germination, and percentage of weed content for each kind of seed furnished, and, in case of a mixture, the proportions of each kind of seed.

Seeds shall be applied as follows:

Seed	Minimum Seed Purity (Percent)	Minimum Germination (Percent)	Rate of Application lb./acre (or lb./1,000 S.F.)
------	-------------------------------	-------------------------------	---

Seeding shall be performed during the period between [] and [] inclusive, unless otherwise approved by the Engineer.

Seeding dates, species and seeding rates must be specified that are compatible with local climate and soil conditions. Due consideration must be given to longevity of plants, resistance to traffic and erosion, and attraction of birds or large animals. More than one seeding season may be specified, if appropriate. Local offices of the USDA Soil Conservation Service and the State University Agricultural Extension Service (County Agent or equivalent) shall be consulted for assistance and recommendations. These agencies shall also be consulted for liming and fertilizer recommendations.

901-2.2 LIME. Lime shall be ground limestone containing not less than 85% of total carbonates, and shall be ground to such fineness that 90% will pass through a No. 20 mesh sieve and 50% will pass through a No. 100 mesh sieve. Coarser material will be acceptable, providing the rates of application are increased to provide not less than the minimum quantities and depth specified in the special provisions on the basis of the two sieve requirements above. Dolomitic lime or a high magnesium lime shall contain at least 10% of magnesium oxide. Lime shall be applied at the rate of []. All liming materials shall conform to the requirements of ASTM C 602.

The Engineer shall specify the application rate in pounds per acre.

**

901-2.3 FERTILIZER. Fertilizer shall be standard commercial fertilizers supplied separately or in mixtures containing the percentages of total nitrogen, available phosphoric acid, and water-soluble potash. They shall be applied at the rate and to the depth specified herein, and shall meet the requirements of Fed. Spec. A-A-1909 and applicable state laws. They shall be furnished in standard containers with name, weight, and guaranteed analysis of contents clearly marked thereon. No cyanamide compounds or hydrated lime shall be permitted in mixed fertilizers.

The fertilizers may be supplied in one of the following forms:

- a. A dry, free-flowing fertilizer suitable for application by a common fertilizer spreader;
- b. A finely-ground fertilizer soluble in water, suitable for application by power sprayers; or
- c. A granular or pellet form suitable for application by blower equipment.

Fertilizers shall be [] commercial fertilizer and shall be spread at the rate of [].

**The Engineer shall specify the analysis and the application rate in pounds per acre.
Paragraphs 2.2 and 2.3 shall be deleted if not applicable.**

901-2.4 SOIL FOR REPAIRS. The soil for fill and topsoiling of areas to be repaired shall be at least of equal quality to that which exists in areas adjacent to the area to be repaired. The soil shall be relatively free from large stones, roots, stumps, or other materials that will interfere with subsequent sowing of seed, compacting, and establishing turf, and shall be approved by the Engineer before being placed.

CONSTRUCTION METHODS

901-3.1 ADVANCE PREPARATION AND CLEANUP. After grading of areas has been completed and before applying fertilizer and ground limestone, areas to be seeded shall be raked or otherwise cleared of stones larger than 2 inches (50 mm) in any diameter, sticks, stumps, and other debris that might interfere with sowing of seed, growth of grasses, or subsequent maintenance of grass-covered areas. If any damage by erosion or other causes has occurred after the completion of grading and before beginning the application of fertilizer and ground limestone, the Contractor shall repair such damage. This may include filling gullies, smoothing irregularities, and repairing other incidental damage.

An area to be seeded shall be considered a satisfactory seedbed without additional treatment if it has recently been thoroughly loosened and worked to a depth of not less than 5 inches (125 mm) as a result of grading operations and, if immediately prior to seeding, the top 3 inches (75 mm) of soil is loose, friable, reasonably free from large clods, rocks, large roots, or other undesirable matter, and if shaped to the required grade.

However, when the area to be seeded is sparsely sodded, weedy, barren and unworked, or packed and hard, any grass and weeds shall first be cut or otherwise satisfactorily disposed of, and the soil then scarified or otherwise loosened to a depth not less than 5 inches (125 mm). Clods shall be broken and the top 3 inches (75 mm) of soil shall be worked into a satisfactory seedbed by discing, or by use of cultipackers, rollers, drags, harrows, or other appropriate means.

901-3.2 DRY APPLICATION METHOD.

a. Liming. Lime shall be applied separately and prior to the application of any fertilizer or seed and only on seedbeds that have previously been prepared as described above. The lime shall then be worked into the top 3 inches (75 mm) of soil after which the seedbed shall again be properly graded and dressed to a smooth finish.

b. Fertilizing. Following advance preparations and cleanup fertilizer shall be uniformly spread at the rate that will provide not less than the minimum quantity stated in paragraph 901-2.3.

Delete paragraphs a. and b. if not applicable.

c. Seeding. Grass seed shall be sown at the rate specified in paragraph 901-2.1 immediately after fertilizing, and the fertilizer and seed shall be raked within the depth range stated in the special provisions. Seeds of legumes, either alone or in mixtures, shall be inoculated before mixing or sowing, in accordance with the instructions of the manufacturer of the inoculant. When seeding is required at other than the seasons shown on the plans or in the special provisions, a cover crop shall be sown by the same methods required for grass and legume seeding.

d. Rolling. After the seed has been properly covered, the seedbed shall be immediately compacted by means of an approved lawnroller, weighing 40 to 65 pounds per foot (60 to 97 kg per meter) of width for clay soil (or any soil having a tendency to pack), and weighing 150 to 200 pounds per foot (223 to 298 kg per meter) of width for sandy or light soils.

901-3.3 WET APPLICATION METHOD.

a. General. The Contractor may elect to apply seed and fertilizer (and lime, if required) by spraying them on the previously prepared seedbed in the form of an aqueous mixture and by using the methods and equipment described herein. The rates of application shall be as specified in the special provisions.

b. Spraying Equipment. The spraying equipment shall have a container or water tank equipped with a liquid level gauge calibrated to read in increments not larger than 50 gallons (190 liters) over the entire range of the tank capacity, mounted so as to be visible to the nozzle operator. The container or tank shall also be equipped with a mechanical power-driven agitator capable of keeping all the solids in the mixture in complete suspension at all times until used.

The unit shall also be equipped with a pressure pump capable of delivering 100 gallons (380 liters) per minute at a pressure of 100 pounds per square inch (690 kPa). The pump shall be mounted in a line that will recirculate the mixture through the tank whenever it is not being sprayed from the nozzle. All pump passages and pipe lines shall be capable of providing clearance for 5/8 inch (15 mm) solids. The power unit for the pump and agitator shall have controls mounted so as to be accessible to the nozzle operator. There shall be an indicating pressure gauge connected and mounted immediately at the back of the nozzle.

The nozzle pipe shall be mounted on an elevated supporting stand in such a manner that it can be rotated through 360 degrees horizontally and inclined vertically from at least 20 degrees below to at least 60 degrees above the horizontal. There shall be a quick-acting, three-way control valve connecting the recirculating line to the nozzle pipe and mounted so that the nozzle operator can control and regulate the amount of flow of mixture delivered to the nozzle. At least three different types of nozzles shall be supplied so that mixtures may be properly sprayed over distance varying from 20 to 100 feet (6 to 30 m). One shall be a close-range ribbon nozzle, one a medium-range ribbon nozzle, and one a long-range jet nozzle. For case of removal and cleaning, all nozzles shall be connected to the nozzle pipe by means of quick-release couplings.

In order to reach areas inaccessible to the regular equipment, an extension hose at least 50 feet (15 m) in length shall be provided to which the nozzles may be connected.

c. Mixtures. Lime, if required, shall be applied separately, in the quantity specified, prior to the fertilizing and seeding operations. Not more than 220 pounds (100 kg) of lime shall be added to and mixed with each 100 gallons (380 liters) of water. Seed and fertilizer shall be mixed together in the relative proportions specified, but not more than a total of 220 pounds (100 kg) of these combined solids shall be added to and mixed with each 100 gallons (380 liters) of water.

All water used shall be obtained from fresh water sources and shall be free from injurious chemicals and other toxic substances harmful to plant life. Brackish water shall not be used at any time. The Contractor shall identify to the Engineer all sources of water at least 2 weeks prior to use. The Engineer may take samples of the water at the source or from the tank at any time and have a laboratory test the samples for chemical and saline content. The Contractor shall not use any water from any source that is disapproved by the Engineer following such tests.

All mixtures shall be constantly agitated from the time they are mixed until they are finally applied to the seedbed. All such mixtures shall be used within 2 hours from the time they were mixed or they shall be wasted and disposed of at locations acceptable to the Engineer.

d. Spraying. Lime, if required, shall be sprayed only upon previously prepared seedbeds. After the applied lime mixture has dried, the lime shall be worked into the top 3 inches (8 cm), after which the seedbed shall again be properly graded and dressed to a smooth finish.

Mixtures of seed and fertilizer shall only be sprayed upon previously prepared seedbeds on which the lime, if required, shall already have been worked in. The mixtures shall be applied by means of a high-pressure spray that shall always be directed upward into the air so that the mixtures will fall to the ground like rain in a uniform spray. Nozzles or sprays shall never be directed toward the ground in such a manner as might produce erosion or runoff.

Particular care shall be exercised to insure that the application is made uniformly and at the prescribed rate and to guard against misses and overlapped areas. Proper predetermined quantities of the mixture in accordance with specifications shall be used to cover specified sections of known area. Checks on the rate and uniformity of application may be made by observing the degree of wetting of the ground or by distributing test sheets of paper or pans over the area at intervals and observing the quantity of material deposited thereon.

On surfaces that are to be mulched as indicated by the plans or designated by the Engineer, seed and fertilizer applied by the spray method need not be raked into the soil or rolled. However, on surfaces on which mulch is not to be used, the raking and rolling operations will be required after the soil has dried.

901-3.4 MAINTENANCE OF SEEDED AREAS. The Contractor shall protect seeded areas against traffic or other use by warning signs or barricades, as approved by the Engineer. Surfaces gullied or otherwise damaged following seeding shall be repaired by regrading and reseeding as directed. The Contractor shall mow, water as directed, and otherwise maintain seeded areas in a satisfactory condition until final inspection and acceptance of the work.

When either the dry or wet application method outlined above is used for work done out of season, it will be required that the Contractor establish a good stand of grass of uniform color and density to the satisfaction of the Engineer. A grass stand shall be considered adequate when bare spots are one square foot or less, randomly dispersed, and do not exceed 3% of the area seeded. If at the time when the contract has been otherwise completed it is not possible to make an adequate determination of the color, density, and uniformity of such stand of grass, payment for the unaccepted portions of the areas seeded out of season will be withheld until such time as these requirements have been met.

METHOD OF MEASUREMENT

901-4.1 The quantity of seeding to be paid for shall be the number of units **[1,000 square feet (square meters)] [acres (square meters)]** measured on the ground surface, completed and accepted.

BASIS OF PAYMENT

901-5.1 Payment shall be made at the contract unit price per **[1,000 square feet (square meters)][acre (square meters)]** or fraction thereof, which price and payment shall be full compensation for furnishing and placing all material and for all labor, equipment, tools, and incidentals necessary to complete the work prescribed in this item.

Payment will be made under:

Item 901-5.1	Seeding—per [1,000 square feet (square meters)][acre (square meters)]
--------------	--

MATERIAL REQUIREMENTS

ASTM C 602	Agricultural Liming Materials
------------	-------------------------------

ASTM D 977	Emulsified Asphalt
------------	--------------------

FED SPEC A-A-1909	Fertilizer
-------------------	------------

FED SPEC A-A-2671	Seeds, Agriculture
-------------------	--------------------

END OF ITEM T-901

Intentionally Left Blank

ITEM T-903 SPRIGGING

DESCRIPTION

903-1.1 This item shall consist of planting sprigs of living grass plants at the locations shown on the plans or as directed by the Engineer in accordance with these specifications.

MATERIALS

903-2.1 SPRIGS. Sprigs shall be healthy living stems (stolons or rhizomes), of the grass species stated in the special provisions, harvested without adhering soil and obtained from sources where the sod is heavy and thickly matted. The presence of weeds or other material that might be detrimental to the proposed planting will be cause for rejection of sprigs.

903-2.2 LIME. Lime shall conform to the requirements of 901-2.2.

903-2.3 FERTILIZER. Fertilizer shall conform to the requirements of 901-2.3.

Paragraphs 2.2 and 2.3 shall be deleted if not applicable.

903-2.4 WATER. All water used shall be sufficiently free from oil, acid, alkali, salt, or other harmful materials that would inhibit the growth of grass. Brackish water shall not be used at any time. It shall be subject to the approval of the Engineer prior to use.

903-2.5 SOIL FOR REPAIRS. The soil for fill, and topsoiling of areas to be repaired, shall conform to the requirements of 901-2.4.

CONSTRUCTION METHODS

903-3.1 GENERAL. Areas to be sprigged and the location of sprigging material, if available on the site, shall be shown on the plans. Areas requiring special ground surface preparation such as tilling, and those in a satisfactory condition to remain undisturbed, shall also be shown on the plans.

Suitable equipment necessary for proper preparation of the ground surface and for the handling and placing of all required materials shall be on hand, in good condition, and shall be approved by the Engineer before the various operations are started. The Contractor shall demonstrate to the Engineer, before starting the various operations, that the planting and application of required materials will be made at the specified rates.

When weather conditions are such that unsatisfactory results may occur, the work shall be stopped until the desired results can be obtained.

903-3.2 ADVANCE PREPARATION AND CLEANUP. After grading of areas has been completed and before applying fertilizer and limestone, areas to be sprigged shall be raked or otherwise cleared of stones larger than 2 inches (50 mm) in any diameter, sticks, stumps, and other debris which might interfere with sprigging, growth of grasses, or subsequent maintenance of grass-covered areas. If any damage by erosion or other causes has occurred after grading of areas and before beginning the application of fertilizer and ground limestone, the Contractor shall repair such damage. This may include filling gullies, smoothing irregularities, and repairing other incidental damage.

903-3.3 APPLYING FERTILIZER AND GROUND LIMESTONE. Following advance preparation and cleanup, fertilizer shall be uniformly spread at a rate that will provide not less than the minimum quantity of each

fertilizer ingredient as stated in the special provisions. If use of ground limestone is required, it shall then be spread at a rate that will provide not less than the minimum quantity stated in the special provisions. These materials shall be incorporated into the soil to a depth of not less than 2 inches (50 mm) by discing, raking, or other methods acceptable to the Engineer. Any stones larger than 2 inches (50 mm) in any diameter, large clods, roots, and other litter brought to the surface by this operation shall be removed.

In steep slopes where fertilizer and ground limestone cannot be incorporated effectively by mechanical equipment, they may be applied with power sprayers, blower equipment, or other approved method, and need not be incorporated into the soil.

903-3.4 HARVESTING SPRIGS. The sprigs obtained from sources off the site shall be from suitable areas as close as practical to the planting site. Regardless of the source, sprigging material that contains grass and weeds taller than 6 inches (150 mm) shall be mowed to a height of 3 inches (75 mm), and the clippings raked and removed before harvesting begins. Harvesting may be performed by any method acceptable to the Engineer, including crisscross cultivation, shallow plowing, or other acceptable methods to thoroughly loosen the sprigs from the soil and to bring them to the surface. After loosening the sprigs from the soil, they shall be gathered in small piles or windrows, watered, and kept moist until planted.

Not more than 24 hours shall elapse between harvesting and planting sprigs, except that, when weather or other uncontrollable conditions interrupt the work, a time extension may be granted, provided the sprigs are still moist and viable. Sprigs that have heated in stockpiles, have become frozen, permitted to dry out, or otherwise seriously damaged during harvesting or delivery shall be rejected and shall be disposed of as directed by the Engineer.

903-3.5 PLANTING SPRIGS. Sprigging shall be done only within the periods stipulated in the special provisions. Sprigging shall not be done during windy weather, or when the ground is dry, excessively wet, frozen, or otherwise untillable. If the soil is not moist when the sprigs are being set, water shall be applied until the soil is moist and in a workable condition. One or more of the following methods shall be used, whichever is shown on the plans or stated in the special provisions:

a. Broadcast Sprigging. Sprigs shall be broadcast by hand or by suitable equipment in a uniform layer over the prepared surface with spacing between sprigs not to exceed 6 inches (150 mm). The sprigs shall then be forced into the soil to a depth of 2 to 4 inches (50 to 100 mm) with a straight spade or similar tool, or with a disc harrow or other equipment set to cover the sprigs to the required depth.

b. Row Sprigging. Furrows shall be opened along the approximate contour of slopes at the spacing and depth stated in the special provisions. Sprigs shall be placed without delay in a continuous row in the open furrow with successive sprigs touching, and they shall be covered immediately.

c. Spot Sprigging. Spot sprigging shall be performed as specified under row sprigging, except that groups of 4 sprigs or more shall be spaced 18 inches (45 cm) apart in the rows.

903-3.6 MULCHING AND COMPACTING. After planting of sprigs has been completed and prior to compacting, the surface shall be cleared of stones larger than 2 inches (50 mm) in any diameter, large clods, roots, and other litter brought to the surface during sprigging.

If mulching of sprigged areas is shown on the plans or stated in the special provisions, the sprigged areas shall be covered with mulch in accordance with the requirements of Item T-908 within 24 hours from the time sprigging has been completed, weather and soil conditions permitting.

If mulching is not shown on the plans nor stated in the special provisions, the sprigged area shall be compacted within 24 hours from the time sprigging has been completed, weather and soil conditions permitting, by cultipackers, rollers, or other satisfactory equipment operated at right angles to the slope. Compaction shall not be done when the soil is in such condition that it is picked up by the equipment.

903-3.7 ESTABLISHING TURF. The Contractor shall be responsible for the proper care of the sprigged areas during the period when the plants are becoming established and he shall protect the sprigged areas against traffic by

warning signs or barricades approved by the Engineer. Surfaces gullied or otherwise damaged following sprigging shall be repaired by regrading and resprigging as directed. The Contractor shall mow, water as directed, and otherwise maintain sprigged areas in a satisfactory condition until final inspection and acceptance of the work.

METHOD OF MEASUREMENT

903-4.1 Sprigging shall be measured by the number of units of 1,000 square feet (100 square meters), measured on the ground surface, completed and accepted.

BASIS OF PAYMENT

903-5.1 Payment will be made at the contract unit price per 1,000 square feet (100 square meters) or fraction thereof. This price shall be full compensation for furnishing and placing all material including any required mulching of sprigged areas, and for all labor, equipment, tools, and incidentals necessary to complete the work prescribed in this item.

Payment will be made under:

Item 903-5.1 Sprigging—per 1,000 square feet (100 square meters)

END OF ITEM T-903

Intentionally Left Blank

ITEM T-904 SODDING

DESCRIPTION

904-1.1 This item shall consist of furnishing, hauling, and placing approved live sod on prepared areas in accordance with this specification at the locations shown on the plans or as directed by the Engineer.

MATERIALS

904-2.1 SOD. Sod furnished by the Contractor shall have a good cover of living or growing grass. This shall be interpreted to include grass that is seasonally dormant during the cold or dry seasons and capable of renewing growth after the dormant period. All sod shall be obtained from areas where the soil is reasonably fertile and contains a high percentage of loamy topsoil. Sod shall be cut or stripped from living, thickly matted turf relatively free of weeds or other undesirable foreign plants, large stones, roots, or other materials that might be detrimental to the development of the sod or to future maintenance. At least 70% of the plants in the cut sod shall be composed of the species stated in the special provisions, and any vegetation more than 6 inches (150 mm) in height shall be mowed to a height of 3 inches (75 mm) or less before sod is lifted. Sod, including the soil containing the roots and the plant growth showing above, shall be cut uniformly to a thickness not less than that stated in the special provisions.

904-2.2 LIME. Lime shall conform to the requirements of 901-2.2.

904-2.3 FERTILIZER. Fertilizer shall conform to the requirements of 901-2.3.

Delete paragraphs 2.2 and 2.3 if not applicable.

904-2.4 WATER. The water shall be sufficiently free from oil, acid, alkali, salt, or other harmful materials that would inhibit the growth of grass. It shall be subject to the approval of the Engineer prior to use.

904-2.5 SOIL FOR REPAIRS. The soil for fill and topsoiling of areas to be repaired shall conform to the requirements of 901-2.4.

CONSTRUCTION METHODS

904-3.1 GENERAL. Areas to be solid, strip, or spot sodded shall be shown on the plans. Areas requiring special ground surface preparation such as tilling and those areas in a satisfactory condition that are to remain undisturbed shall also be shown on the plans.

Suitable equipment necessary for proper preparation of the ground surface and for the handling and placing of all required materials shall be on hand, in good condition, and shall be approved by the Engineer before the various operations are started. The Contractor shall demonstrate to the Engineer before starting the various operations that the application of required materials will be made at the specified rates.

904-3.2 PREPARING THE GROUND SURFACE. After grading of areas has been completed and before applying fertilizer and limestone, areas to be sodded shall be raked or otherwise cleared of stones larger than 2 inches (50 mm) in any diameter, sticks, stumps, and other debris which might interfere with sodding, growth of grasses, or subsequent maintenance of grass-covered areas. If any damage by erosion or other causes occurs after grading of areas and before beginning the application of fertilizer and ground limestone, the Contractor shall repair such damage. This may include filling gullies, smoothing irregularities, and repairing other incidental damage.

904-3.3 APPLYING FERTILIZER AND GROUND LIMESTONE. Following ground surface preparation, fertilizer shall be uniformly spread at a rate which will provide not less than the minimum quantity of each fertilizer ingredient, as stated in the special provisions. If use of ground limestone is required, it shall then be spread at a rate that will provide not less than the minimum quantity stated in the special provisions. These materials shall be incorporated into the soil to a depth of not less than 2 inches (50 mm) by discing, raking, or other methods acceptable to the Engineer. Any stones larger than 2 inches (50 mm) in any diameter, large clods, roots, and other litter brought to the surface by this operation shall be removed.

904-3.4 OBTAINING AND DELIVERING SOD. After inspection and approval of the source of sod by the Engineer, the sod shall be cut with approved sod cutters to such a thickness that after it has been transported and placed on the prepared bed, but before it has been compacted, it shall have a uniform thickness of not less than 2 inches (50 mm). Sod sections or strips shall be cut in uniform widths, not less than 10 inches (250 mm), and in lengths of not less than 18 inches (45 cm), but of such length as may be readily lifted without breaking, tearing, or loss of soil. Where strips are required, the sod must be rolled without damage with the grass folded inside. The Contractor may be required to mow high grass before cutting sod.

The sod shall be transplanted within 24 hours from the time it is stripped, unless circumstances beyond the Contractor's control make storing necessary. In such cases, sod shall be stacked, kept moist, and protected from exposure to the air and sun and shall be kept from freezing. Sod shall be cut and moved only when the soil moisture conditions are such that favorable results can be expected. Where the soil is too dry, permission to cut sod may be granted only after it has been watered sufficiently to moisten the soil to the depth the sod is to be cut.

904-3.5 LAYING SOD. Sodding shall be performed only during the seasons when satisfactory results can be expected. Frozen sod shall not be used and sod shall not be placed upon frozen soil. Sod may be transplanted during periods of drought with the approval of the Engineer, provided the sod bed is watered to moisten the soil to a depth of at least 4 inches (100 mm) immediately prior to laying the sod.

The sod shall be moist and shall be placed on a moist earth bed. Pitch forks shall not be used to handle sod, and dumping from vehicles shall not be permitted. The sod shall be carefully placed by hand, edge to edge and with staggered joints, in rows at right angles to the slopes, commencing at the base of the area to be sodded and working upward. The sod shall immediately be pressed firmly into contact with the sod bed by tamping or rolling with approved equipment to provide a true and even surface, and insure knitting without displacement of the sod or deformation of the surfaces of sodded areas. Where the sod may be displaced during sodding operations, the workmen when replacing it shall work from ladders or treaded planks to prevent further displacement. Screened soil of good quality shall be used to fill all cracks between sods. The quantity of the fill soil shall not cause smothering of the grass. Where the grades are such that the flow of water will be from paved surfaces across sodded areas, the surface of the soil in the sod after compaction shall be set approximately 1 inch (25 mm) below the pavement edge. Where the flow will be over the sodded areas and onto the paved surfaces around manholes and inlets, the surface of the soil in the sod after compaction shall be placed flush with pavement edges.

On slopes steeper than 1 vertical to 2-1/2 horizontal and in v-shaped or flat-bottom ditches or gutters, the sod shall be pegged with wooden pegs not less than 12 inches (300 mm) in length and have a cross-sectional area of not less than 3/4 square inch (18 square millimeter). The pegs shall be driven flush with the surface of the sod.

904-3.6 WATERING. Adequate water and watering equipment must be on hand before sodding begins, and sod shall be kept moist until it has become established and its continued growth assured. In all cases, watering shall be done in a manner that will avoid erosion from the application of excessive quantities and will avoid damage to the finished surface.

904-3.7 ESTABLISHING TURF.

a. General. The Contractor shall provide general care for the sodded areas as soon as the sod has been laid and shall continue until final inspection and acceptance of the work.

b. Protection. All sodded areas shall be protected against traffic or other use by warning signs or barricades approved by the Engineer.

c. Mowing. The Contractor shall mow the sodded areas with approved mowing equipment, depending upon climatic and growth conditions and the needs for mowing specific areas. In the event that weeds or other undesirable vegetation are permitted to grow to such an extent that, either cut or uncut, they threaten to smother the sodded species, they shall be mowed and the clippings raked and removed from the area.

904-3.8 REPAIRING. When the surface has become bullied or otherwise damaged during the period covered by this contract, the affected areas shall be repaired to re-establish the grade and the condition of the soil, as directed by the Engineer, and shall then be sodded as specified in 904-3.5.

METHOD OF MEASUREMENT

904-4.1 This item shall be measured on the basis of the area in square yards (square meters) of the surface covered with sod and accepted.

BASIS OF PAYMENT

904-5.1 This item will be paid for on the basis of the contract unit price per square yard (square meter) for sodding, which price shall be full compensation for all labor, equipment, material, staking, and incidentals necessary to satisfactorily complete the items as specified.

Payment will be made under:

Item T-904-5.1 Sodding—per square yard (square meter)

END OF ITEM T-904

Intentionally Left Blank

ITEM T-905 TOPSOILING

DESCRIPTION

905-1.1 This item shall consist of preparing the ground surface for topsoil application, removing topsoil from designated stockpiles or areas to be stripped on the site or from approved sources off the site, and placing and spreading the topsoil on prepared areas in accordance with this specification at the locations shown on the plans or as directed by the Engineer.

MATERIALS

905-2.1 TOPSOIL. Topsoil shall be the surface layer of soil with no admixture of refuse or any material toxic to plant growth, and it shall be reasonably free from subsoil and stumps, roots, brush, stones (2 inches or more in diameter), and clay lumps or similar objects. Brush and other vegetation that will not be incorporated with the soil during handling operations shall be cut and removed. Ordinary sods and herbaceous growth such as grass and weeds are not to be removed but shall be thoroughly broken up and intermixed with the soil during handling operations. The topsoil or soil mixture, unless otherwise specified or approved, shall have a pH range of approximately 5.5 pH to 7.6 pH, when tested in accordance with the methods of testing of the association of official agricultural chemists in effect on the date of invitation of bids. The organic content shall be not less than 3% nor more than 20% as determined by the wet-combustion method (chromic acid reduction). There shall be not less than 20% nor more than 80% of the material passing the 200 mesh (0.075 mm) sieve as determined by the wash test in accordance with ASTM C 117.

Natural topsoil may be amended by the Contractor with approved materials and methods to meet the above specifications.

905-2.2 INSPECTION AND TESTS. Within 10 days following acceptance of the bid, the Engineer shall be notified of the source of topsoil to be furnished by the Contractor. The topsoil shall be inspected to determine if the selected soil meets the requirements specified and to determine the depth to which stripping will be permitted. At this time, the Contractor may be required to take representative soil samples from several locations within the area under consideration and to the proposed stripping depths, for testing purposes as specified in 905-2.1.

CONSTRUCTION METHODS

905-3.1 GENERAL. Areas to be topsoiled shall be shown on the plans. If topsoil is available on the site, the location of the stockpiles or areas to be stripped of topsoil and the stripping depths shall be shown on the plans.

Suitable equipment necessary for proper preparation and treatment of the ground surface, stripping of topsoil, and for the handling and placing of all required materials shall be on hand, in good condition, and approved by the Engineer before the various operations are started.

905-3.2 PREPARING THE GROUND SURFACE. Immediately prior to dumping and spreading the topsoil on any area, the surface shall be loosened by discs or spike-tooth harrows, or by other means approved by the Engineer, to a minimum depth of 2 inches (50 mm) to facilitate bonding of the topsoil to the covered subgrade soil. The surface of the area to be topsoiled shall be cleared of all stones larger than 2 inches (50 mm) in any diameter and all litter or other material which may be detrimental to proper bonding, the rise of capillary moisture, or the proper growth of the desired planting. Limited areas, as shown on the plans, which are too compact to respond to these operations shall receive special scarification.

Grades on the area to be topsoiled, which have been established by others as shown on the plans, shall be maintained in a true and even condition. Where grades have not been established, the areas shall be smooth-graded and the surface left at the prescribed grades in an even and properly compacted condition to prevent, insofar as practical, the formation of low places or pockets where water will stand.

905-3.3 OBTAINING TOPSOIL. Prior to the stripping of topsoil from designated areas, any vegetation, briars, stumps and large roots, rubbish or stones found on such areas, which may interfere with subsequent operations, shall be removed using methods approved by the Engineer. Heavy sod or other cover, which cannot be incorporated into the topsoil by discing or other means shall be removed.

When suitable topsoil is available on the site, the Contractor shall remove this material from the designated areas and to the depth as directed by the Engineer. The topsoil shall be spread on areas already tilled and smooth-graded, or stockpiled in areas approved by the Engineer. Any topsoil stockpiled by the Contractor shall be rehandled and placed without additional compensation. Any topsoil that has been stockpiled on the site by others, and is required for topsoiling purposes, shall be removed and placed by the Contractor. The sites of all stockpiles and areas adjacent thereto which have been disturbed by the Contractor shall be graded if required and put into a condition acceptable for seeding.

When suitable topsoil is secured off the airport site, the Contractor shall locate and obtain the supply, subject to the approval of the Engineer. The Contractor shall notify the Engineer sufficiently in advance of operations in order that necessary measurements and tests can be made. The Contractor shall remove the topsoil from approved areas and to the depth as directed. The topsoil shall be hauled to the site of the work and placed for spreading, or spread as required. Any topsoil hauled to the site of the work and stockpiled shall be rehandled and placed without additional compensation.

905-3.4 PLACING TOPSOIL. The topsoil shall be evenly spread on the prepared areas to a uniform depth of 2 inches (50 mm) after compaction, unless otherwise shown on the plans or stated in the special provisions. Spreading shall not be done when the ground or topsoil is frozen, excessively wet, or otherwise in a condition detrimental to the work. Spreading shall be carried on so that turfing operations can proceed with a minimum of soil preparation or tilling.

After spreading, any large, stiff clods and hard lumps shall be broken with a pulverizer or by other effective means, and all stones or rocks (2 inches (50 mm) or more in diameter), roots, litter, or any foreign matter shall be raked up and disposed of by the Contractor. After spreading is completed, the topsoil shall be satisfactorily compacted by rolling with a cultipacker or by other means approved by the Engineer. The compacted topsoil surface shall conform to the required lines, grades, and cross sections. Any topsoil or other dirt falling upon pavements as a result of hauling or handling of topsoil shall be promptly removed.

METHOD OF MEASUREMENT

905-4.1 Topsoil obtained on the site shall be measured by the number of cubic yards (cubic meters) of topsoil measured in its original position and stripped or excavated. Topsoil stockpiled by others and removed for topsoiling by the Contractor shall be measured by the number of cubic yards (cubic meters) of topsoil measured in the stockpile. Topsoil shall be measured by volume in cubic yards (cubic meters) computed by the method of end areas.

905-4.2 Topsoil obtained off the site shall be measured by the number of cubic yards (cubic meters) of topsoil measured in its original position and stripped or excavated. Topsoil shall be measured by volume in cubic yards (cubic meters) computed by the method of end areas.

BASIS OF PAYMENT

905-5.1 Payment will be made at the contract unit price per cubic yard (cubic meter) for topsoiling (obtained on the site). This price shall be full compensation for furnishing all materials and for all preparation, placing, and spreading of the materials, and for all labor, equipment, tools, and incidentals necessary to complete the item.

905-5.2 Payment will be made at the contract unit price per cubic yard (cubic meter) for topsoiling (obtained off the site). This price shall be full compensation for furnishing all materials and for all preparation, placing, and spreading of the materials, and for all labor, equipment, tools, and incidentals necessary to complete the item.

Payment will be made under:

Item T-905-5.1 Topsoiling (Obtained on Site or Removed from Stockpile—per cubic yard (cubic meter)

Item T-905-5.2 Topsoiling (Furnished from Off the Site)—per cubic yard (cubic meter)

TESTING MATERIALS

ASTM C 117 Materials Finer than 75- μ m (No. 200) Sieve in Mineral Aggregates by Washing

END OF ITEM T-905

Intentionally Left Blank

ITEM T-907 TILLING

DESCRIPTION

907-1.1 This item shall consist of preparing the surface of areas for dust control or erosion control in accordance with this specification at the locations shown on the plans or as directed by the Engineer.

CONSTRUCTION METHODS

907-3.1 GENERAL. Areas to be tilled and areas requiring special attention and tilling shall be shown on the plans.

The tilling work shall be performed only during periods when beneficial and satisfactory results can be reasonably expected. The work shall be stopped when it is unlikely that the desired results will be obtained, due to excessive drought, moisture conditions, or other factors, and resumed only when the conditions again are favorable.

Suitable equipment necessary for proper tilling and for handling all required materials shall be on hand, in good operating condition, and approved by the Engineer before the various operations are started.

907-3.2 TILLING.

a. General. Prior to the commencement of tilling operations, all heavy growths of vegetation on areas shown on the plans to be tilled shall be mowed, raked and burned, used for mulch if suitable, or hauled off the site, as directed by the Engineer.

During tilling operations, the ground surface shall be kept cleared of all cable, wire, or any other waste materials that might hinder final grading, planting, or subsequent maintenance operations. Any irregularities in the surface resulting from tilling or other operations of the Contractor shall be corrected insofar as practical to prevent the formation of low places and pockets where water will stand.

The proper graded areas shall be tilled by the Contractor with suitable plows, discs, scarifying machines, or other power-drawn implements approved by the Engineer.

b. For Dust and Erosion Control. The areas to be tilled for dust or erosion control shall be loosened to a depth of at least 4 inches (10 cm) by a tiller tool so that clods will be left on the surface of the ground. In areas where such penetration cannot be accomplished by a tiller tool in one operation, a heavy scarifier shall be used first. On areas 250 feet (76 m) or more from the centerline of runways, as shown on the plans, on which scarifiers will not produce clods of sufficient size and quantity to provide adequate control by the above operation, furrows shall be opened on approximately 36-inch (90 cm) centers to a depth of 5 inches (12 cm) by using an approved type lister. Tilling operations shall commence on the windward side of the field and at right angles to the prevailing wind except on runway shoulders, where they shall be parallel to the pavements. Equipment and operations, other than those specified above, may be used subject to the approval of the Engineer.

907-3.3 SMOOTH GRADING. Where final grades have been established by others, they shall be shown on the plans. Where grades have not been established, the areas shall be smooth graded and the surfaces left at the prescribed grades in an even and properly compacted condition which, insofar as practical, will prevent the formation of low places and pockets where water will stand.

METHOD OF MEASUREMENT

907-4.1 Tilling shall be measured by the number of acres (square meter), measured by surface area, tilled, smooth graded, and accepted.

BASIS OF PAYMENT

907-5.1 Payment will be made at the contract unit price per acre (square meter) for tilling. This price shall be full compensation for furnishing all materials and for all preparation, operation and smooth grading, and for all labor, equipment, tools and incidentals necessary to complete the item.

Payment will be made under:

Item T-907-5.1	Tilling—per acre (square meter)
----------------	---------------------------------

END OF ITEM T-907

ITEM T-908 MULCHING

DESCRIPTION

908-1.1 This item shall consist of furnishing, hauling, placing, and securing mulch on surfaces indicated on the plans or designated by the Engineer.

MATERIALS

908-2.1 MULCH MATERIAL. Acceptable mulch shall be the materials listed below or any approved locally available material that is similar to those specified. Low grade, musty, spoiled, partially rotted hay, straw, or other materials unfit for animal consumption will be acceptable. Mulch materials, which contain matured seed of species that would volunteer and be detrimental to the proposed overseeding, or to surrounding farm land, will not be acceptable. Straw or other mulch material which is fresh and/or excessively brittle, or which is in such an advanced stage of decomposition as to smother or retard the planted grass, will not be acceptable.

a. Hay. Hay shall be native hay, sudan grass hay, broomsedge hay, legume hay, or similar hay or grass clippings.

b. Straw. Straw shall be the threshed plant residue of oats, wheat, barley, rye, or rice from which grain has been removed.

c. Hay Mulch Containing Seed. Hay mulch shall be mature hay containing viable seed of native grasses or other desirable species stated in the special provisions or as approved by the Engineer. The hay shall be cut and handled so as to preserve the maximum quantity of viable seed. Hay mulch that cannot be hauled and spread immediately after cutting shall be placed in weather-resistant stacks or baled and stored in a dry location until used.

d. Manufactured Mulch. Cellulose-fiber or wood-pulp mulch shall be products commercially available for use in spray applications.

e. Asphalt Binder. Asphalt binder material shall conform to the requirements of ASTM D 977, Type SS-1 or RS-1.

908-2.2 INSPECTION. Within 5 days after acceptance of the bid, the Engineer shall be notified of sources and quantities of mulch materials available and the Contractor shall furnish him with representative samples of the materials to be used. These samples may be used as standards with the approval of the Engineer and any materials brought on the site that do not meet these standards shall be rejected.

CONSTRUCTION METHODS

908-3.1 MULCHING. Before spreading mulch, all large clods, stumps, stones, brush, roots, and other foreign material shall be removed from the area to be mulched. Mulch shall be applied immediately after seeding. The spreading of the mulch may be by hand methods, blower, or other mechanical methods, provided a uniform covering is obtained.

Mulch material shall be furnished, hauled, and evenly applied on the area shown on the plans or designated by the Engineer. Straw or hay shall be spread over the surface to a uniform thickness at the rate of 2 to 3 tons per acre (1800-2700 kg per acre) to provide a loose depth of not less than 1-1/2 inches (37 cm) nor more than 3 inches (75 mm). Other organic material shall be spread at the rate directed by the Engineer. Mulch may be blown on the slopes and the use of cutters in the equipment for this purpose will be permitted to the extent that at least 95% of the mulch in place on the slope shall be 6 inches (150 mm) or more in length. When mulches applied by the blowing method are cut, the loose depth in place shall be not less than 1 inch (25 mm) nor more than 2 inches (50 mm).

908-3.2 SECURING MULCH. The mulch shall be held in place by light discing, a very thin covering of topsoil, small brush, pins, stakes, wire mesh, asphalt binder, or other adhesive material approved by the Engineer. Where mulches have been secured by either of the asphalt binder methods, it will not be permissible to walk on the slopes after the binder has been applied. The Contractor is warned that in the application of asphalt binder material he must take every precaution to guard against damaging or disfiguring structures or property on or adjacent to the areas worked and that he will be held responsible for any such damage resulting from his/her operations.

If the “peg and string” method is used, the mulch shall be secured by the use of stakes or wire pins driven into the ground on 5-foot (150 m) centers or less. Binder twine shall be strung between adjacent stakes in straight lines and crisscrossed diagonally over the mulch, after which the stakes shall be firmly driven nearly flush to the ground to draw the twine down tight onto the mulch.

908-3.3 CARE AND REPAIR.

a. The Contractor shall care for the mulched areas until final acceptance of the project. Such care shall consist of providing protection against traffic or other use by placing warning signs, as approved by the Engineer, and erecting any barricades that may be shown on the plans before or immediately after mulching has been completed on the designated areas.

b. The Contractor shall be required to repair or replace any mulching that is defective or becomes damaged until the project is finally accepted. When, in the judgment of the Engineer, such defects or damages are the result of poor workmanship or failure to meet the requirements of the specifications, the cost of the necessary repairs or replacement shall be borne by the Contractor. However, once the Contractor has completed the mulching of any area in accordance with the provisions of the specifications and to the satisfaction of the Engineer, no additional work at his/her expense will be required, but subsequent repairs and replacements deemed necessary by the Engineer shall be made by the Contractor and will be paid for as additional or extra work.

c. If the “asphalt spray” method is used, all mulched surfaces shall be sprayed with asphalt binder material so that the surface has a uniform appearance. The binder shall be uniformly applied to the mulch at the rate of approximately 8.0 gallons (32 liters) per 1,000 square feet (100 square meters), or as directed by the Engineer, with a minimum of 6.0 gallons (24 liters) and a maximum of 10 gallons (40 liters) per 1,000 square feet (100 square meters) depending on the type of mulch and the effectiveness of the binder securing it. Bituminous binder material may be sprayed on the mulched slope areas from either the top or the bottom of the slope. An approved spray nozzle shall be used. The nozzle shall be operated at a distance of not less than 4 feet (120 cm) from the surface of the mulch and uniform distribution of the bituminous material shall be required. A pump or an air compressor of adequate capacity shall be used to insure uniform distribution of the bituminous material.

d. If the “asphalt mix” method is used, the mulch shall be applied by blowing, and the asphalt binder material shall be sprayed into the mulch as it leaves the blower. The binder shall be uniformly applied to the mulch at the rate of approximately 8.0 gallons (32 liters) per 1,000 square feet (100 square meters) or as directed by the Engineer, with a minimum of 6.0 gallons (24 liters) and a maximum of 10 gallons (40 liters) per 1,000 square feet (100 square meters) depending on the type of mulch and the effectiveness of the binder securing it.

METHOD OF MEASUREMENT

908-4.1 Mulching shall be measured in square yards (square meters) on the basis of the actual surface area acceptably mulched.

BASIS OF PAYMENT

908-5.1 Payment will be made at the contract unit price per square yard (square meter) for mulching. The price shall be full compensation for furnishing all materials and for placing and anchoring the materials, and for all labor, equipment, tools, and incidentals necessary to complete the item.

Payment will be made under:

Item T-908-5.1 Mulching—per square yard (square meter)

MATERIAL REQUIREMENTS

ASTM D 977 Emulsified Asphalt

END OF ITEM T-908

Intentionally Left Blank

PART XI – LIGHTING INSTALLATION ITEM L-101 AIRPORT ROTATING BEACONS

DESCRIPTION

101-1.1 This item shall consist of furnishing and installing airport rotating beacons. This work shall include the mounting, leveling, wiring, painting, servicing, and testing of the beacon and all materials and incidentals necessary to place the beacons in operating condition as a completed unit to the satisfaction of the Engineer. This item shall include a mounting platform if specified in the plans.

EQUIPMENT AND MATERIALS

101-2.1 GENERAL.

a. Airport lighting equipment and materials covered by Federal Aviation Administration (FAA) specifications shall be certified and listed under Advisory Circular (AC) 150/5345-53, Airport Lighting Equipment Certification Program.

b. All other equipment and materials covered by other referenced specifications shall be subject to acceptance through manufacturer's certification of compliance with the applicable specification when requested by the Engineer.

c. Manufacturer's certifications shall not relieve the Contractor of the Contractor's responsibility to provide materials in accordance with these specifications and acceptable to the Engineer. Materials supplied and/or installed that do not materially comply with these specifications shall be removed, when directed by the Engineer and replaced with materials, which do comply with these specifications, at the sole cost of the Contractor.

d. All materials and equipment used to construct this item shall be submitted to the Engineer for approval prior to ordering the equipment. Submittals consisting of marked catalog sheets or shop drawings shall be provided. Submittal data shall be presented in a clear, precise and thorough manner. Original catalog sheets are preferred. Photocopies are acceptable provided they are as good a quality as the original. Clearly and boldly mark each copy to identify pertinent products or models applicable to this project. Indicate all optional equipment and delete non-pertinent data. Submittals for components or electrical equipment and systems shall identify the equipment for which they apply on each submittal sheet. Markings shall be boldly and clearly made with arrows or circles (highlighting is not acceptable). Contractor is solely responsible for delays in project accruing directly or indirectly from late submissions or resubmissions of submittals.

e. The data submitted shall be sufficient, in the opinion of the Engineer, to determine compliance with the Contract Documents plans and specifications. [The Contractor's submittals shall be neatly bound in a properly sized 3-ring binder, tabbed by specification section.] The Engineer reserves the right to reject any and all equipment, materials or procedures, which, in the Engineer's opinion, does not meet the system design and the standards and codes, specified herein.

f. All equipment and materials furnished and installed under this section shall be guaranteed against defects in materials and workmanship for a period of at least [twelve (12) months] from final acceptance by the Owner. The defective materials and/or equipment shall be repaired or replaced, at the Owner's discretion, with no additional cost to the Owner.

The engineer should specify the form in which submittals are to be received and number of copies.

The length of time for guarantee of materials and workmanship should be as stated in the contract between the owner and contractor and the contract special provisions.

101-2.2 BEACON. The beacon shall meet the requirements of AC 150/5345-12, Specification for Airport and Heliport Beacons.

101-2.3 PANEL BOARDS AND BREAKERS. Panel boards and breakers shall conform to the requirements of Fed. Spec. W-P-115.

101-2.4 WEATHERPROOF CABINETS. The weatherproof cabinets shall conform to National Electrical Manufacturers Association Standards and shall be constructed of steel not less than No. 16 USS gauge.

101-2.5 WIRE. Wire in conduit rated up to 5,000 volts shall conform to AC 150/5345-7, Specification for L-824 Underground Electrical Cable for Airport Lighting Circuits for Rubber Insulated Neoprene Covered Wire, or Fed. Spec. J-C-30, Type RHW, for rubber insulated fibrous covered wire. For ratings up to 600 volts, the thermoplastic wire conforming to Fed. Spec. J-C-30, Types TW, THW, and THWN, shall be used. The wires shall be of the type, size, number of conductors, and voltage shown in the plans or in the proposal.

101-2.6 CONDUIT. Rigid steel conduit and fittings shall conform to the requirements of Underwriters Laboratories Standard 6, 514, and 1242.

101-2.7 PAINT.

a. Priming paint for ungalvanized metal surfaces shall be a high solids alkyd primer conforming to TT-P-664D.

b. Priming paint for galvanized metal surfaces shall be zinc dust-zinc oxide primer paint conforming to MIL-DTL-24441/19B. If necessary, add not more than 1/2 pint (0.06 liter) of turpentine to each gallon (liter).

c. Orange paint for the body and the finish coats on metal and wood surfaces shall consist of a ready-mixed non-fading paint meeting the requirements of Fed. Spec. TT-E-489. The color shall be in accordance with Federal Standard 595, Aviation Gloss Orange Number 12197.

d. White paint for body and finish coats on metal and wood surfaces shall be ready-mixed paint conforming to the Master Painter's Institute, Reference #9, Exterior Alkyd, Gloss, VOC Range E2.

e. Priming paint for wood surfaces shall be mixed on the job by thinning the above-specified orange or white paint with 1/2 pint (0.06 mm) of raw linseed oil to each gallon (liter).

CONSTRUCTION METHODS

101-3.1. PLACING THE BEACON. The beacon shall be mounted on a beacon tower, platform, or building roof as shown in the plans.

101-3.2 HOISTING AND MOUNTING. The beacon shall be hoisted to the mounting platform by using suitable slings and hoisting tackle. Before fastening the beacon to the mounting platform, the mounting holes shall be checked for correct spacing. Beacon base or mounting legs shall not be strained or forced out of position to fit incorrect spacing of mounting holes. The beacon base shall be raised first, set in position, and bolted in place. The drum shall then be raised and assembled to the base.

101-3.3 LEVELING. After the beacon has been mounted in place, it shall be accurately leveled following manufacturer's instructions. The leveling shall be checked in the presence of the Engineer and shall be to the Engineer's satisfaction.

101-3.4 SERVICING. Before placing the beacon in operation, the Contractor shall check the manufacturer’s manual for proper servicing requirements. Follow the manufacturer’s servicing requirements for each size beacon.

101-3.5 BEAM ADJUSTMENT. After the beacon has been mounted and leveled, the elevation of the beams shall be adjusted. The final beam adjustments shall be made at night so that results can be readily observed. The beams shall be adjusted to the elevation directed by the Engineer or as shown in the plans, except that, in no case shall the elevation of the beams be less than 2 degrees above the horizontal.

101-3.6 BEACON MOUNTING PLATFORM. Where the beacon is to be mounted at a location other than the beacon tower and where a special mounting platform is required, the construction of this mounting platform and any necessary lightning protection equipment shall be in accordance with the details shown in the plans.

101-3.7 WIRING. The Contractor shall furnish all necessary labor and materials and shall make complete above ground electrical connections in accordance with the wiring diagram furnished with the project plans. The electrical installation shall conform to the requirements of the latest edition of National Fire Protection Association, NFPA-70, National Electric Code.

Copies of the National Electric Code may be obtained form the National Fire Protection Associations, Inc., One Batterymarch Park, Quincy, Massachusetts 02269.

If underground cable for the power feed from the transformer vault to the beacon site and duct for this cable installation is required, the cable, ground rods and duct shall be installed in accordance with and paid for as described in Item L-108, Underground Power Cable for Airports, and Item L-110, Airport Underground Electrical Duct Banks and Conduit.

Unless otherwise specified, the Contractor shall connect the tell-tale relay mechanism in the beacon to energize the tower obstruction light circuit when failure of the beacon service (primary) lamp occurs.

If lightning protection is specified in the plans or proposal as a part of this item, it shall be installed in accordance with 103-2.3 in Item L-103, Airport Beacon Towers.

101-3.8 PANEL AND CABINET. Unless otherwise specified, the Contractor shall furnish and install at the top of the beacon tower or mounting platform a circuit-breaker panel consisting of four 15-ampere breakers mounted in a weather-proof cabinet to provide separate protection for the circuits to the beacon lamps, motor, obstruction lights, and other equipment. The cabinet shall be located on the side of the beacon platform, as directed by the Engineer.

101-3.9 CONDUIT. All exposed wiring shall be run in not less than 3/4 inch (19 mm) galvanized rigid steel conduit. No conduit shall be installed on top of a beacon platform floor. All conduit shall be installed to provide for drainage. If mounted on a steel beacon tower, the conduit shall be fastened to the tower members with “wraplock” straps, clamps, or approved fasteners, spaced approximately 5 feet (150 cm) apart. The conduit shall be fastened to wooden structures with galvanized pipe straps and with galvanized wood screws not less than No. 8 or less than 1-1/4 inches (31 mm) long. There shall be at least two fastenings for each 10-foot (3 m) length.

101-3.10 BOOSTER TRANSFORMER. If shown in the plans or specified in job specifications, a booster transformer to compensate for voltage drop to the beacon shall be installed in a suitable weatherproof housing under or on the tower platform or at the base of the tower. The installation shall be as indicated in the plans and described in the proposal. If the booster transformer is required for installation remote from the beacon, it shall be installed in accordance with and paid for [].

The engineer should specify how the booster transformer will be paid for when located remotely from the beacon tower, i.e. as part of the beacon installation or, if installed in the vault, as part of the vault equipment.

101-3.11 PHOTOELECTRIC CONTROL. If shown in the plans or specified in job specifications, the Contractor shall furnish and install an automatic control switch at the location indicated in the plans. The switch shall be a photoelectric type. It shall be a standard commercially available unit that will energize when the northern sky illuminance falls below 60 footcandles (645.8 lux) but before reaching a level of 35 footcandles (367.7 lux). The photoelectric switch should de-energize when the northern sky illuminance rises to a level of not more than 60 footcandles (645.9 lux). It shall be installed, connected, and adjusted in accordance with the manufacturer's instructions.

101-3.12 OBSTRUCTION LIGHTS. Unless otherwise specified, the Contractor shall install on the top of the beacon tower or mounting platform two L-810 obstruction lights on opposite corners. These lights shall be mounted on conduit extensions to a height of not less than 4 inches (100 mm) above the top of the beacon. They shall be connected in series into the tell-tale circuit with the necessary relay and wiring connections.

101-3.13 PAINTING. If construction of a wooden mounting platform is stipulated in the proposal as part of this item, all wooden parts of the platform shall be given one priming coat of white or aviation-orange paint after fabrication but before erection and one body and one finish coat of aviation-orange paint after erection. Steel mounting platforms shall be given one priming coat of corrosion-inhibiting primer before erection and one body and one finish coat of aviation-orange paint after erection. All equipment installed under this contract and exposed to the weather shall be given one body and one finish coat of aviation-orange or white paint as required. This shall include beacon (except glass surfaces), beacon base, breaker cabinet, all conduit, and transformer cases. It shall not include air terminals or obstruction light globes.

The paint shall be applied uniformly in the proper consistency by skilled painters. The finished paint shall be free from sags, holidays, and smears. Each coat of paint shall be given ample time to dry and harden before the next coat of paint is applied. A minimum of 3 days shall be allowed for drying on wood surfaces, and a minimum of 4 days shall be allowed for drying on metal surfaces. Painting shall not be done in cold, damp, foggy, dusty, or frosty atmospheres, or when air temperature is below 40° F (4° C), nor started when the weather forecast indicates such conditions for the day.

All surfaces shall be cleaned before painting. The surfaces shall be dry and free from scale, grease, rust, dust, and dirt when paint is applied. All knots in wood surfaces shall be covered with shellac immediately before applying the priming coat of paint. Nail holes and permissible imperfections shall be filled with putty. The ready-mixed paint shall be thinned for the priming and body coats in accordance with the manufacturer's recommendations. In the absence of such recommendations, the following shall apply:

a. Body coats (for both wood and steel surfaces) - add ½ pint (0.06 liter) of turpentine to each gallon (liter) of ready-mixed paint for body coats.

b. Finish coats (for both wood and steel surfaces) the ready-mixed paint shall be used as it comes from the container for finish coats.

101-3.14 TESTING. The installation shall be fully tested in operation as a completed unit prior to acceptance. These tests shall include operation of the lamp-changer operation and taking megger and voltage readings. The insulation resistance to ground of the beacon supply circuit shall be not less than 50 megohms. Testing equipment shall be furnished by the Contractor. Tests shall be conducted in the presence of the Engineer and shall be to the Engineer's satisfaction.

METHOD OF MEASUREMENT

101-4.1 The quantity to be paid for shall be the number of beacons installed as completed units in place, accepted, and ready for operation.

Intentionally Left Blank

ITEM L-102 HAZARD BEACON

DESCRIPTION

102-1.1 This item shall consist of furnishing and installing a hazard flashing beacon in accordance with these specifications. This work shall include the mounting, leveling, wiring, servicing, painting, and testing of the beacon and all materials and incidentals necessary to place it in operating condition as a completed unit to the satisfaction of the Engineer. This item shall include a mounting platform if specified in the plans.

EQUIPMENT AND MATERIALS

102-2.1 GENERAL.

a. Airport lighting equipment and materials covered by Federal Aviation Administration (FAA) specifications shall be certified and listed under Advisory Circular (AC) 150/5345-53, Airport Lighting Equipment Certification Program.

b. All other equipment and materials covered by other referenced specifications shall be subject to acceptance through manufacturer's certification of compliance with the applicable specification, when requested by the Engineer.

c. Manufacturer's certifications shall not relieve the Contractor of the Contractor's responsibility to provide materials in accordance with these specifications and acceptable to the Engineer. Materials supplied and/or installed that do not materially comply with these specifications shall be removed, when directed by the Engineer and replaced with materials, which do comply with these specifications, at the sole cost of the Contractor.

d. All materials and equipment used to construct this item shall be submitted to the Engineer for approval prior to ordering the equipment. Submittals consisting of marked catalog sheets or shop drawings shall be provided. Submittal data shall be presented in a clear, precise and thorough manner. Original catalog sheets are preferred. Photocopies are acceptable provided they are as good a quality as the original. Clearly and boldly mark each copy to identify pertinent products or models applicable to this project. Indicate all optional equipment and delete non-pertinent data. Submittals for components of electrical equipment and systems shall identify the equipment for which they apply on each submittal sheet. Markings shall be boldly and clearly made with arrows or circles (highlighting is not acceptable). Contractor is solely responsible for delays in project accruing directly or indirectly from late submissions or resubmissions of submittals.

e. The data submitted shall be sufficient, in the opinion of the Engineer, to determine compliance with the plans and specifications. [The Contractor's submittals shall be neatly bound in a properly sized 3-ring binder, tabbed by specification section.] The Engineer reserves the right to reject any and all equipment, materials or procedures, which, in the Engineer's opinion, does not meet the system design and the standards and codes, specified herein.

f. All equipment and materials furnished and installed under this section shall be guaranteed against defects in materials and workmanship for a period of at least [twelve (12) months] from final acceptance by the Owner. The defective materials and/or equipment shall be repaired or replaced, at the Owner's discretion, with no additional cost to the Owner.

The engineer should specify the form in which submittals are to be received and number of copies.

The length of time for guarantee of materials and workmanship should be as stated in the contract between the owner and contractor and the contract special provisions.

102-2. BEACON. The beacon shall conform to the requirements of AC 150/5345-43, Specification for Obstruction Lighting Equipment.

102-2.3 PANEL BOARDS AND BREAKERS. Panel boards and breakers shall conform to the requirements of Fed. Spec. W-P-115.

102-2.4 WEATHERPROOF CABINETS. Weatherproof cabinets shall conform to National Electrical Manufacturers Association Standards and shall be constructed of steel not less than No. 16 USS gauge.

102-2.5 WIRE. Wire in conduit rated up to 5,000 volts shall conform to AC 150/5345-7, Specification for L-824 Underground Electrical Cable for Airport Lighting Circuits for Rubber Insulated Neoprene Covered Wire, or Fed. Spec. J-C 30, Type RHW, for rubber insulated fibrous covered wire. For ratings up to 600 volts, thermoplastic wire conforming to Fed. Spec. J-C-30, Types TW, THW, and THWN shall be used. The wires shall be of the type, size, number of conductors, and voltage shown in the plans or in the proposal.

102-2.6 CONDUIT. Rigid steel conduit and fittings shall conform to the requirements of Underwriters Laboratories Standard 6, 514, and 1242.

102-2.7 PAINT

a. Priming paint for ungalvanized metal surfaces shall be a high solids alkyd primer conforming to TT-P-664D.

b. Priming paint for galvanized metal surfaces shall be zinc dust-zinc oxide primer paint, conforming to MIL-DTL-24441/19B. If necessary, add not more than 1/2 pint (0.06 liters) of turpentine to each gallon (liter).

c. Orange paint for the body and the finish coats on metal and wood surfaces shall consist of a ready-mixed non-fading paint meeting the requirements of Fed. Spec. TT-E-489. The color shall be in accordance with Federal Standards 595, Aviation Gloss Orange Number 12197.

d. White paint for body and finish coats on metal and wood surfaces shall be ready-mixed paint conforming to the Master Painter's Institute, Reference #9, Exterior Alkyd, Gloss, VOC Range E2.

e. Priming paint for wood surfaces shall be mixed on the job by thinning the above specified orange or white paint by adding 1/2 pint (0.06 liters) of raw linseed oil to each gallon (liter).

102-2.8 FLASHER. The beacon flasher shall be a standard commercially available unit designed for the service intended. The mechanism in the flasher shall be designed to flash not more than 40 and not less than 12 flashes per minute. The flashing switch shall be of the mercury contact-type encapsulated in nonbreakable plastic. The entire unit shall be housed in a weatherproof cabinet.

CONSTRUCTION METHODS

102-3.1 PLACING THE BEACON. The beacon shall be mounted on a beacon tower, platform, building roof, or on a pole as shown in the plans.

102-3.2 MOUNTING AND LEVELING. The support to which the beacon is fastened shall be accurately leveled before mounting the beacon.

102-3.3 FLASHER. If shown in plans or specified in job specifications, a separate flashing mechanism for the beacon shall be installed adjacent or near the beacon. The mechanism in this flasher shall be designed to flash not more than 40 and not less than 12 flashes per minute.

102-3.4 MOUNTING PLATFORM. If shown in plans or specified in job specifications, the Contractor shall construct a special mounting platform for the beacon, flasher, and incidental equipment. Design and materials for the special platform shall be as shown in the plans. This mounting platform may be constructed on top of a steel beacon tower, or wood pole if specified, and shall be as shown in the plans.

102-3.5 WIRING. The Contractor shall furnish all necessary labor and materials and shall make complete aboveground electrical connections in accordance with the wiring diagram furnished with the project plans. The electrical installation shall conform to the requirements of the latest edition of National Fire Protection Association, NFPA-70, National Electric Code.

If underground cable for the power feed from the transformer vault to the beacon site and duct for the installation of this cable is required, the cable, ground rods and duct shall be installed in accordance with and paid for as described in Item L-108, Underground Power Cable for Airports, and Item L-110, Airport Underground Electrical Duct Banks and Conduit.

If lightning protection is specified in the plans or proposals as a part of this item, it shall be in accordance with Item L-103, Airport Beacon Towers, paragraphs 103-2.3.

102-3.6 PANEL AND CABINET. If shown in plans or specified in job specifications, the Contractor shall furnish and install a circuit breaker panel. The panel shall be of the type and rating indicated in the plans, and it shall be mounted in a weatherproof cabinet. The cabinet shall be located near the beacon or as directed by the Engineer.

102-3.7 CONDUIT. All exposed wiring shall be run in not less than 3/4 inch (19 mm) galvanized rigid steel conduit. No conduit shall be installed on top of a beacon platform floor. All conduit shall be installed to provide for drainage. If mounted on a steel beacon tower, the conduit shall be fastened to the tower members with "wraplock" straps, clamps, or approved fasteners spaced approximately 5 feet (150 cm) apart. Conduit shall be attached to wooden structures with galvanized pipe straps and fastened with galvanized wood screws not less than No. 8 or less than 1-1/4 inches (31 mm) long. There shall be at least two fastenings for each 10-foot (3 m) length.

102-3.8 BOOSTER TRANSFORMERS. If shown in plans or specified in job specifications, a booster transformer to compensate for voltage drop to the beacon shall be installed in a suitable weatherproof housing under or on the tower platform or at the base of the tower or pole. The installation shall be as indicated in the plans and described in the proposal. If the booster transformer is required for installation remotely from the beacon, it shall be installed in accordance with and paid for [].

The engineer should specify how the booster transformer will be paid for when located remotely from the beacon tower, i.e. as part of the beacon installation or, if installed in the vault, as part of the vault equipment.

102-3.9 PHOTOELECTRIC CONTROL. If shown in plans or specified in job specifications, the Contractor shall furnish and install an automatic control switch at the location indicated in the plans. This switch shall be a photoelectric type. It shall be a standard commercially available unit that will energize when the northern sky illuminance falls below 60 footcandles (645.8 lux) but before reaching a level of 35 footcandles (367.7 lux). The photoelectric switch should de-energize when the northern sky illuminance rises to a level of not more than 60 footcandles (645.9 lux). It shall be installed, connected, and adjusted in accordance with the manufacturer's instruction.

102-3.10 PAINTING. Wood poles and wooden parts of mounting platforms shall be given one priming coat of white or aviation-orange paint after fabrication but before erection and one body and one finish coat of aviation-orange paint after erection. Steel mounting platforms shall be given one priming coat of corrosion-inhibiting primer before erection and one body and one finish coat of aviation-orange paint after erection. All equipment under this contract and exposed to the weather shall be given one body and one finish coat of aviation-orange or white paint as required. This shall include beacon (except glass surfaces), breaker cabinet, and all conduit and transformer cases. It shall not include air terminals.

The paint shall be applied uniformly in the proper consistency by skilled painters. The finished paint shall be free from sags, holidays, and smears. Each coat of paint shall be given ample time to dry and harden before the next coat of paint is applied. A minimum of 3 days shall be allowed for drying on wood surfaces and a minimum of 4 days shall be allowed for drying on metal surfaces. Painting shall not be done in cold, damp, foggy, dusty, or frosty atmospheres, or when air temperature is below 40° F (4° C), nor started when the weather forecast indicates such conditions for the day.

All surfaces shall be cleaned before painting. The surfaces shall be dry and free from scale, grease, rust, dust, and dirt when paint is applied. All knots in wood surfaces shall be covered with shellac immediately before applying the priming coat of paint. Nail holes and permissible imperfections shall be filled with putty.

The ready-mixed paint shall be thinned for the priming and body coats in accordance with the manufacturer's recommendations. In the absence of such recommendations, the following shall apply:

a. Body coats (for both wood and steel surfaces) - add ½ pint (0.06 liters) of turpentine to each gallon (liter) of ready-mixed paint for body coats.

b. Finish coats (for both wood and steel surfaces) - the ready-mixed paint shall be used as it comes from the container for finish coats.

102-3.11 TESTING. The installation shall be tested in operation as a completed unit prior to acceptance. Tests shall include taking megger and voltage readings. The voltage tolerance for testing shall be as specified by the beacon manufacturer. Testing equipment shall be furnished by the Contractor. The insulation resistance to ground of the beacon supply circuit shall be not less than 50 megohms when measured ungrounded.

Tests shall be conducted in the presence of the Engineer and shall be to the Engineer's satisfaction.

METHOD OF MEASUREMENT

102-4.1 The quantity to be paid for shall be the number of beacons installed as completed units in place, accepted, and ready for operation.

BASIS OF PAYMENT

102-5.1 Payment will be made at the contract unit price for each completed and accepted job. This price shall be full compensation for furnishing all materials and for all preparation, assembly, and installation of these materials, and for all labor, equipment, tools, and incidentals necessary to complete this item.

Payment will be made under:

Item L-102-5.1 Hazard Beacon, in place—per unit

MATERIAL REQUIREMENTS

AC 150/5345-7	Specification For L-824 for Underground Electrical Cable for Airport Lighting Circuits
AC 150/5345-43	Specification for Obstruction Lighting Equipment
FED SPEC J-C-30	Cable and Wire, Electrical (Power, Fixed Installation) (cancelled; replaced by AA-59544 Cable and Wire, Electrical (Power, Fixed Installation))
FED SPEC TT-E-489	Enamel, Alkyd, Gloss, Low VOC Content
FED SPEC TT-P-664D	Primer Coating, Alkyd, Corrosion-Inhibiting, Lead and Chromate Free, VOC-Compliant
MIL-DTL-24441/19B	Paint, Epoxy-Polyamide, Zinc Primer, Formula 159, Type III
FED SPEC W-P-115	Panel, Power Distribution
FED STD 595	Colors Used in Government Procurement
Underwriters Laboratories Standard 6	Rigid Metal Conduit
Underwriters Laboratories Standard 514	Fittings for Conduit and Outlet Boxes
Underwriters Laboratories Standard 1242	Intermediate Metal Conduit
NFPA-70	National Electric Code
NFPA-780	Standard for the Installation of Lightning Protection Systems
Master Painter's Institute	

END OF ITEM L-102

Intentionally Left Blank

ITEM L-103 AIRPORT BEACON TOWERS

DESCRIPTION

103-1.1 This item shall consist of furnishing and installing an airport beacon tower of the type shown in the plans, in accordance with these specifications. This work shall include the clearing of the site, erection of the tower, installation of lightning protection, painting, and all incidentals necessary to place it in operating condition as a completed unit to the satisfaction of the Engineer.

EQUIPMENT AND MATERIALS

103-2.1 GENERAL.

a. All equipment and materials covered by referenced specifications shall be subject to acceptance through manufacturer's certification of compliance with the applicable specification when requested by the Engineer.

b. Manufacturer's certifications shall not relieve the Contractor of the Contractor's responsibility to provide materials in accordance with these specifications and acceptable to the Engineer. Materials supplied and/or installed that do not materially comply with these specifications shall be removed, when directed by the Engineer and replaced with materials, which do comply with these specifications, at the sole cost of the Contractor.

c. All materials and equipment used to construct this item shall be submitted to the Engineer for approval prior to ordering the equipment. Submittals consisting of marked catalog sheets or shop drawings shall be provided. Submittal data shall be presented in a clear, precise and thorough manner. Original catalog sheets are preferred. Photocopies are acceptable provided they are as good a quality as the original. Clearly and boldly mark each copy to identify pertinent products or models applicable to this project. Indicate all optional equipment and delete non-pertinent data. Submittals for components of electrical equipment and systems shall identify the equipment for which they apply on each submittal sheet. Markings shall be boldly and clearly made with arrows or circles (highlighting is not acceptable). Contractor is solely responsible for delays in project accruing directly or indirectly from late submissions or resubmissions of submittals.

d. The data submitted shall be sufficient, in the opinion of the Engineer, to determine compliance with the plans and specifications. [The Contractor's submittals shall be neatly bound in a properly sized 3-ring binder, tabbed by specification section.] The Engineer reserves the right to reject any and all equipment, materials or procedures, which, in the Engineer's opinion, does not meet the system design and the standards and codes, specified herein.

e. All equipment and materials furnished and installed under this section shall be guaranteed against defects in materials and workmanship for a period of at least [twelve (12) months] from final acceptance by the Owner. The defective materials and/or equipment shall be repaired or replaced, at the Owner's discretion, with no additional cost to the Owner.

The engineer should specify the form in which submittals are to be received and number of copies.

The length of time for guarantee of materials and workmanship should be as stated in the contract between the owner and contractor and the contract special provisions.

103-2.2 TOWER. The beacon tower shall conform to the requirements of Advisory Circular (AC) 150/5340-30, Design and Installation Details for Airport Visual Aids, Chapter 6.

103-2.3 LIGHTNING PROTECTION. Lightning protection shall comply with NFPA-780, Standard for the Installation of Lightning Protection Systems. All materials shall comply with Class II requirements regardless of tower height. Ground rods and underground cables shall be installed in accordance with and paid for as described in Item L-108, Underground Power Cable for Airports.

103-2.4 PAINT.

a. Priming paint for galvanized steel towers shall be zinc dust-zinc oxide primer paint conforming to MIL-DTL-24441/19B. If necessary, add not more than 1/2 pint (0.06 liter) of turpentine to each gallon (liter).

b. Priming paint for ungalvanized steel towers shall be a high solids alkyd primer conforming to the Master Painter's Institute, Reference #9, Exterior Alkyd, Gloss, VOC Range E2.

c. Orange paint for the body and finished coats on metal and wood surfaces shall consist of a ready-mixed non-fading paint meeting the requirements of Fed. Spec. TT-E-489. The color shall be in accordance with Federal Standard 595, Aviation Gloss Orange Number 12197.

d. White paint for steel tower shall be ready-mixed paint conforming to Commercial Item Description A-A-3067.

CONSTRUCTION METHODS

103-3.1 CLEARING AND GRADING. The site on which the beacon tower is to be erected shall be cleared and leveled. All trees and brush shall be removed from the area within a distance of 25 feet (7.5 m) from the tower or as called for in the plans. Stumps shall be removed to a depth of 18 inches (45 cm) below finished grade and the excavation filled with earth and tamped. If a transformer vault or other structure is included as part of the installation, the area shall be cleared to a distance of 25 feet (7.5 m) from these structures. The ground near the tower shall be leveled to permit the operation of mowing machines. The leveling shall extend at least 2 feet (60 cm) outside the tower legs. All debris removed from the tower site shall be disposed of by the Contractor to the satisfaction of the Engineer and in accordance with Federal, state, or local regulations.

103-3.2 EXCAVATION AND FILL. Excavation for the tower footings shall be carried to a minimum of 4 inches (100 mm) below the footing depth. The excess excavation below the footing depth shall then be backfilled with gravel or crushed stone and compacted to the required level. The footing plates shall be installed, and a thickness of not less than 18 inches (45 cm) of the same gravel or crushed stone shall be placed immediately above the footing plates in layers of not over 6 inches (150 mm). Each layer above the footing plates shall be thoroughly tamped in place. The remainder of the backfill may be of excavated earth placed in layers not to exceed 6 inches (150 mm). Each layer shall be thoroughly compacted by tamping.

Where solid rock is encountered, which prevents the carrying of the foundation legs to the required depth but which is of sufficient strength to use holddown bolts, the tower anchor posts shall be cut off at the required length and the holddown bolts shall be installed as indicated in the plans with the approval of the Engineer. Each tower leg shall be anchored to the rock by means of two 7/8-inch (21 mm) diameter by 3-foot (90 cm) long expansion or split bolts and shall be grouted with neat portland cement into holes drilled into the natural rock. Except as required for rock foundations, the footing members shall not be cut off or shortened. If excavated material is of such character that it will not readily compact when backfilled, the Engineer may order the excavation backfilled with concrete or other suitable material.

The concrete footing for tubular beacon towers shall be installed in accordance with the manufacturer's recommendations. Portions of the footing in the topsoil layer shall not be included in the footing height.

103-3.3 ERECTION. Detail erection drawings furnished by the manufacturer shall be strictly followed during construction. All towers shall be erected in sections from the ground up unless otherwise specified. In final assembly, all bolts and fastenings shall be installed, and the structure shall be plumb, true, square, and level. Nuts

shall be taken up to a firm bearing after which the bolts shall, if necessary, be cut to proper length to protrude three full threads. Approved locknuts shall be placed on each bolt over the regular nut. Ladder bolts shall be inserted with the head to the outer face of the tower. Diagonal, leg, and handrail bolts shall be installed with nuts on the outer face of the tower, unless otherwise specified. Bent parts shall be straightened before erection without damage to the protective coating. Surfaces abraded or bared of protective coating shall be painted with the proper priming paint as specified in these specifications.

The Contractor shall install the ladder on the side of the tower adjacent to the driveway or most accessible approach to the tower. Tubular beacon towers shall be erected in accordance with the manufacturer's recommendations. The safety cable shall be located on the side of the tower adjacent to the driveway or most accessible approach to the tower.

103-3.4 LIGHTNING PROTECTION. The Contractor shall furnish and install an air terminal, down conductor, and at least one ground plate or rod for each beacon tower or as indicated in the plans. The air terminal shall be installed at the top of the tower with the tip of the rod extending not less than 6 inches (150 mm) above the top of the beacon.

Down-conductor cables shall be securely fastened to the surface of the tower leg at 5-foot (150 cm) intervals with suitable bronze fasteners having bronze or noncorrosive metal bolts. Sharp turns or bends in the down conductor will not be permitted.

All connections of cable to cable, cable to air terminals, and cable to ground plates or rods shall be made with solderless connectors or noncorrosive metal approved by the engineer and shall be of substantial construction.

The down-conductor cable shall be securely attached to ground rods or plates placed at least 2 feet (60 cm) away from the tower foundations. The ground rod shall be driven into the ground so that the top is at least 6 inches (150 mm) below grade. The down-conductor shall be firmly attached to the ground plate or rod by means of a ground connector or clamp. Plates shall be embedded in the area of permanent moisture.

The complete lightning protection installation shall be accomplished to the satisfaction of the Engineer. The resistance to ground of any part of the lightning protection system shall not exceed 25 ohms.

103-3.5 PAINTING. The Contractor shall furnish all materials and labor for painting the beacon tower. The color scheme for the steel tower shall be as shown in the plans.

a. Parts to be Painted. Tower parts (except those parts to be exposed to earth) shall not be treated or primed before erection. All tower parts placed below ground level or within 12 inches (300 mm) above ground level shall be given two coats of approved bituminous paint.

The paint shall be applied uniformly in the proper consistency by skilled painters. The finished paint shall be free from sags, holidays, and smears. Division lines between colors shall be sharply defined. Each coat of paint shall be given ample time to dry and harden before the next coat is applied. A minimum of 4 days shall be allowed for drying on metal surfaces. Painting shall not be done in cold, damp, foggy, dusty, or frosty atmospheres, or when air temperature is below 40° F (4° C), nor started when the weather forecast indicates such conditions for the day.

All surfaces shall be cleaned before painting. The surfaces shall be dry and free from scale, grease, rust, dust, and dirt when paint is applied.

The number of coats of paint applied shall be in accordance with the following instructions:

b. Steel Towers, Galvanized. One priming coat of zinc dust-zinc oxide primer after erection and one body and one finish of white or orange paint (as required by the color scheme) shall be applied after erection.

c. Steel Towers, Not Galvanized. One priming coat of corrosion-inhibiting primer and one body and one finish coat of white or orange paint (as required by the color scheme) shall be applied after erection.

The above specified orange and white ready-mixed paints shall be thinned for the body coats in accordance with the manufacturer's recommendations. In the absence of such recommendations, the following shall apply:

d. Body Coats. Add not more than 1/2 pint (0.06 liters) of turpentine to each gallon (liter) of ready-mixed paint for body coats.

e. Finish Coats. The ready-mixed paint shall be used as it comes from the container for finish coats.

METHOD OF MEASUREMENT

103-4.1 The quantity to be paid for under this item shall be the number of airport beacon towers installed as completed units in place, accepted, and ready for operation.

BASIS OF PAYMENT

103 5.1 Payment will be made at the contract unit price for each completed and accepted job. This price shall be full compensation for furnishing all materials and for all preparation, assembly, and installation of these materials, and for all labor, equipment, tools, and incidentals necessary to complete this item.

Payment will be made under:

Item L-103-5.1	Beacon Tower, in place-per unit
----------------	---------------------------------

MATERIAL REQUIREMENTS

AC 150/5340-30	Design and Installation Details for Airport Visual Aids
FED SPEC TT-E-489	Enamel, Alkyd, Gloss, Low VOC Content
FED STD 595	Colors Used in Government Procurement
MIL-DTL-24441/19B	Paint, Epoxy-Polyamide, Zinc Primer, Formula 159, Type III
NFPA-780	Standard for the Installation of Lightning Protection Systems
Master Painter's Institute	

END OF ITEM L-103

ITEM L-107 AIRPORT 8-FOOT AND 12-FOOT WIND CONES

DESCRIPTION

107-1.1 This item shall consist of furnishing and installing an airport wind cone in accordance with these specifications and in accordance with the dimensions, design, and details shown in the plans.

The work shall include the furnishing and installation of a support for mounting the wind cone, the specified wire, and a concrete foundation. The item shall also include all cable connections, conduit and conduit fittings, the furnishing and installation of all lamps, ground rod and ground connection, the testing of the installation, and all incidentals necessary to place the wind cone in operation as a completed unit to the satisfaction of the Engineer.

EQUIPMENT AND MATERIALS

107-2.1 GENERAL.

a. Airport lighting equipment and materials covered by Federal Aviation Administration (FAA) specifications shall be certified and listed under Advisory Circular (AC) 150/5345-53, Airport Lighting Equipment Certification Program.

b. All other equipment and materials covered by other referenced specifications shall be subject to acceptance through manufacturer's certification of compliance with the applicable specification when requested by the Engineer.

c. Manufacturer's certifications shall not relieve the Contractor of the Contractor's responsibility to provide materials in accordance with these specifications and acceptable to the Engineer. Materials supplied and/or installed that do not materially comply with these specifications shall be removed, when directed by the Engineer and replaced with materials, which do comply with these specifications, at the sole cost of the Contractor.

d. All materials and equipment used to construct this item shall be submitted to the Engineer for approval prior to ordering the equipment. Submittals consisting of marked catalog sheets or shop drawings shall be provided. Submittal data shall be presented in a clear, precise and thorough manner. Original catalog sheets are preferred. Photocopies are acceptable provided they are as good a quality as the original. Clearly and boldly mark each copy to identify pertinent products or models applicable to this project. Indicate all optional equipment and delete non-pertinent data. Submittals for components of electrical equipment and systems shall identify the equipment for which they apply on each submittal sheet. Markings shall be boldly and clearly made with arrows or circles (highlighting is not acceptable). Contractor is solely responsible for delays in project accruing directly or indirectly from late submissions or resubmissions of submittals.

e. The data submitted shall be sufficient, in the opinion of the Engineer, to determine compliance with the plans and specifications. [The Contractor's submittals shall be neatly bound in a properly sized 3-ring binder, tabbed by specification section.] The Engineer reserves the right to reject any and all equipment, materials or procedures, which, in the Engineer's opinion, does not meet the system design and the standards and codes, specified herein.

f. All equipment and materials furnished and installed under this section shall be guaranteed against defects in materials and workmanship for a period of at least [twelve (12) months] from final acceptance by the Owner. The defective materials and/or equipment shall be repaired or replaced, at the Owner's discretion, with no additional cost to the Owner.

The engineer should specify the form in which submittals are to be received and number of copies.

The length of time for guarantee of materials and workmanship should be as stated in the contract between the owner and contractor and the contract special provisions.

107-2.2 WIND CONES. The 8-foot (240 cm) and 12-foot (3.5 m) wind cones and assemblies shall conform to the requirements of AC 150/5345-27, Specification for Wind Cone Assemblies.

The illuminated windcone must present a constant brightness to the pilot. As a result, the source of power for the windcone circuit must be identified. Where a constant voltage is available, the windcone may be connected directly to the constant voltage circuit. Where the series lighting circuit is used as a power source to the windcone, a power adapter that converts constant current to constant voltage must be specified. An additional requirement for the power adapter is the output voltage must remain constant regardless of the input current. The manufacturer of the power adapter must be consulted to verify the additional load imposed on the series circuit by the power adapter.

The engineer should specify the windcone and power adapter combination recommended by the manufacturer when the power source for the windcone circuit will be the constant current series lighting circuit.

107-2.3 WIRE. Wire in conduit rated up to 5,000 volts shall conform to AC 150/5345-7, Specification for L-824 Underground Cable for Airport Lighting Circuits for Rubber Insulated Neoprene Covered Wire, or Fed. Spec. J-C-30, Type RHW, for rubber insulated fibrous covered wire. For ratings up to 600 volts, thermoplastic wire conforming to Fed. Spec. J-C-30, Types TW, THW, and THWN, shall be used. The wires shall be of the type, size, number of conductors, and voltage shown in the plans or in the proposal.

107-2.4 CONDUIT. Rigid steel conduit and fittings shall conform to the requirements of Underwriters Laboratories Standard 6, 514, and 1242.

107-2.5 PLASTIC CONDUIT (for use below grade only). Plastic conduit and fittings shall conform to the requirements of Fed. Spec. W--C-1094 and Underwriters Laboratories Standards UL-651 and shall be one of the following, as shown in the plans:

- a. Type I--Schedule 40 PVC suitable for underground use either direct-buried or encased in concrete.
- b. Type II--Schedule 40 PVC suitable for either above ground or underground use.

Plastic conduit adhesive shall be a solvent cement manufactured specifically for the purpose of gluing the specific type of plastic conduit and fitting.

107-2.6 CONCRETE. The concrete for foundations shall be proportioned, placed, and cured in accordance with Item P-610, Structural Portland Cement Concrete.

107-2.7 PAINT.

- a. Priming paint for ungalvanized metal surfaces shall be a high solids alkyd primer conforming to TT-P-664D.
- b. Priming paint for galvanized metal surfaces shall be zinc dust-zinc oxide primer paint conforming to MIL-DTL-24441/19B. If necessary, add not more than 1/2 pint (0.06 liter) of turpentine to each gallon (liter).
- c. Orange paint for the body and the finish coats on metal and wood surfaces shall consist of a ready-mixed non-fading paint meeting the requirements of Fed. Spec. TT-E-489. The color shall be in accordance with Federal Standards 595, Aviation Gloss Orange Number 12197.

d. White paint for body and finish coats on metal and wood surfaces shall be ready-mixed paint conforming to the Master Painter’s Institute, Reference #9, Exterior Alkyd, Gloss, VOC Range E2.

e. Priming paint for wood surfaces shall be mixed on the job by thinning the above specified aviation-orange or white paint by adding ½ pint (0.06 liter) of raw linseed oil to each gallon (liter).

CONSTRUCTION METHODS

107-3.1 INSTALLATION. The hinged support or hinged pole shall be installed on a concrete foundation as shown in the plans.

107-3.2 POLE ERECTION. The Contractor shall erect the pole on the foundation following the manufacturer’s requirements and erection details. The pole shall be level and secure.

107-3.3 ELECTRICAL CONNECTION. The Contractor shall furnish all labor and materials and shall make complete electrical connections in accordance with the wiring diagram furnished with the project plans. The electrical installation shall conform to the requirements of the latest edition of National Fire Protection Association, NFPA-70, National Electric Code.

If underground cable from the transformer vault to the wind cone site and duct for this cable installation is required, the cable and duct shall be installed in accordance with and paid for as described in Item L-108, Underground Power Cables for Airports, and Item L-110, Airport Underground Electrical Duct Banks and Conduits.

107-3.4 BOOSTER TRANSFORMER. If shown in plans or specified in job specifications, a booster transformer to compensate for voltage drop to the lamps shall be installed in a suitable weatherproof housing. The booster transformer shall be installed as indicated in the plans and described in the proposal. If the booster transformer is required for installation remotely from the windcone, it shall be installed in accordance with and paid for [].

The engineer should specify how the booster transformer will be paid for when located remotely from the windcone, i.e. as part of the windcone installation or, if installed in the vault, as part of the vault equipment.

107-3.5 GROUND CONNECTION AND GROUND ROD. The Contractor shall furnish and install a ground rod, grounding cable, and ground clamps for grounding the “A” frame of the 12-foot (3.5 m) assembly or pipe support of the 8-foot (240 cm) support near the base. The ground rod shall be of the type, diameter and length specified in Item L-108, Underground Power Cable for Airports. The ground rod shall be driven into the ground adjacent to the concrete foundation (minimum distance from foundation of 2 feet) so that the top is at least 6 inches (150 mm) below grade. The grounding cable shall consist of No. 4 AWG minima bare stranded copper wire or larger and shall be firmly attached to the ground rod by exothermic welding. The other end of the grounding cable shall be securely attached to a leg of the frame or to the base of the pipe support with non-corrosive metal and shall be of substantial construction. The resistance to ground shall not exceed 25 ohms.

107-3.6 PAINTING. Three coats of paint shall be applied (one prime, one body, and one finish) to all exposed material installed under this item except the fabric cone, obstruction light globe, and lamp reflectors. The wind cone assembly, if painted on receipt, shall be given one finish coat of paint in lieu of the three coats specified above. The paint shall meet the requirements of Fed. Spec. TT-E-489. The color shall be in accordance with Federal Standard 595, Aviation Gloss Orange Number 12197.

107-3.7 LAMPS. The Contractor shall furnish and install lamps as specified by the manufacturer.

107-3.8 CHAIN AND PADLOCK. The Contractor shall furnish and install a suitable operating chain for lowering and raising the hinged top section. The chain shall be attached to the pole support in a manner to prevent the light fixture assembly from striking the ground in the lowered position.

A padlock shall also be furnished by the Contractor on the 8-foot (240 cm) wind cone for securing the hinged top section to the fixed lower section. Keys for the padlock shall be delivered to the Engineer.

METHOD OF MEASUREMENT

107-4.1 The quantity to be paid for shall be the number of wind cones installed as completed units in place, accepted, and ready for operation.

BASIS OF PAYMENT

107-5.1 Payment will be made at the contract unit price for each completed and accepted job. This price shall be full compensation for furnishing all materials and for all preparation, assembly, and installation of these materials, and for all labor, equipment, tools, and incidentals necessary to complete this item.

Payment will be made under:

Item L-107-5.1	12-Foot (3.5 m) Wind Cone, in place—per unit
Item L-107-5.2	8-Foot (240 cm) Wind Cone, in place—per unit

MATERIAL REQUIREMENTS

AC 150/5345-7	Specification for L-824 Underground Cable for Airport Lighting Circuits
AC 150/5345-27	Specification for Wind Cone Assemblies
FED SPEC TT-E-489	Enamel, Alkyd, Gloss, Low VOC Content
FED SPEC J-C-30	Cable and Wire, Electrical (Power, Fixed Installation) (cancelled; replaced by AA-59544 Cable and Wire, Electrical (Power, Fixed Installation))
FED SPEC W-P-115	Panel, Power Distribution
FED STD 595	Colors Used in Government Procurement
MIL-DTL-24441/20	Paint, Epoxy-Polyamide, Green Primer, Formula 150, Type III
Underwriters Laboratories Standard 6	Rigid Metal Conduit
Underwriters Laboratories Standard 514	Fittings For Conduit and Outlet Boxes
Underwriters Laboratories Standard 1242	Intermediate Metal Conduit
NFPA-70	National Electric Code
Master Painter's Institute	

END OF ITEM L-107

ITEM L-108 UNDERGROUND POWER CABLE FOR AIRPORTS

DESCRIPTION

108-1.1 This item shall consist of furnishing and installing power cables direct buried and furnishing and/or installing power cables within conduit or duct banks-in accordance with these specifications at the locations shown on-the plans. It includes excavation and backfill of trench for direct-buried cables only. Also included are the installation of counterpoise wires, ground wires, ground rods and connections, cable splicing, cable marking, cable testing, and all incidentals necessary to place the cable in operating condition as a completed unit to the satisfaction of the Engineer. This item shall not include the installation of duct banks or conduit, trenching and backfilling for duct banks or conduit, or furnishing or installation of any cable for FAA facilities. Requirements and payment for trenching and backfilling for the installation of underground conduit and duct banks is covered under Item L-110 "Airport Underground Electrical Duct Banks and Conduits."

EQUIPMENT AND MATERIALS

108-2.1 GENERAL.

a. Airport lighting equipment and materials covered by Federal Aviation Administration (FAA) specifications shall be approved under the Airport Lighting Equipment Certification Program described in Advisory Circular (AC) 150/5345-53, current version.

b. All other equipment and materials covered by other referenced specifications shall be subject to acceptance through manufacturer's certification of compliance with the applicable specification, when requested by the Engineer.

c. Manufacturer's certifications shall not relieve the Contractor of the Contractor's responsibility to provide materials in accordance with these specifications and acceptable to the Engineer. Materials supplied and/or installed that do not materially comply with these specifications shall be removed, when directed by the Engineer and replaced with materials, which do comply with these specifications, at the sole cost of the Contractor.

d. All materials and equipment used to construct this item shall be submitted to the Engineer for approval prior to ordering the equipment. Submittals consisting of marked catalog sheets or shop drawings shall be provided. Submittal data shall be presented in a clear, precise and thorough manner. Original catalog sheets are preferred. Photocopies are acceptable provided they are as good a quality as the original. Clearly and boldly mark each copy to identify pertinent products or models applicable to this project. Indicate all optional equipment and delete non-pertinent data. Submittals for components of electrical equipment and systems shall identify the equipment for which they apply on each submittal sheet. Markings shall be boldly and clearly made with arrows or circles (highlighting is not acceptable). Contractor is solely responsible for delays in project accruing directly or indirectly from late submissions or resubmissions of submittals.

e. The data submitted shall be sufficient, in the opinion of the Engineer, to determine compliance with the plans and specifications. [The Contractor's submittals shall be neatly bound in a properly sized 3-ring binder, tabbed by specification section.] The Engineer reserves the right to reject any and all equipment, materials or procedures, which, in the Engineer's opinion, does not meet the system design and the standards and codes, specified herein.

f. All equipment and materials furnished and installed under this section shall be guaranteed against defects in materials and workmanship for a period of at least [twelve (12) months] from final acceptance by the Owner. The defective materials and/or equipment shall be repaired or replaced, at the Owner's discretion, with no additional cost to the Owner. The Contractor shall be responsible to maintain an insulation resistance of 50 megohms minima, (1000V megger) with isolation transformers connected in new circuits and new segments of existing circuits through the end of the contract warranty period.

The engineer should specify the form in which submittals are to be received and number of copies.

The length of time for guarantee of materials and workmanship should be as stated in the contract between the owner and contractor and the contract special provisions.

108-2.2 CABLE. Underground cable for airfield lighting facilities (runway and taxiway lights and signs) shall conform to the requirements of AC 150/5345-7, Specification for L-824 Underground Electrical Cable for Airport Lighting Circuits. Conductor sizes noted above shall not apply to leads furnished by manufacturers on airfield lighting transformers and fixtures.

Wire for electrical circuits up to 600 volts shall comply with Specification L-824 and/or Federal Specification J-C-30 and shall be type THWN-2.

Cable type, size, number of conductors, strand and service voltage shall be as specified on the plans.

108-2.3 BARE COPPER WIRE (COUNTERPOISE OR GROUND) AND GROUND RODS. Wire for counterpoise or ground-installations for airfield lighting systems shall be No. 6 AWG solid for counterpoise and or No. 6 AWG stranded for ground wire conforming to ASTM B 3 and ASTM B 8, and shall be **[bare copper wire]** **[tinned copper]** conforming to the requirements of ASTM D 33.

Ground rods shall be **[solid stainless steel]** **[copper]** or **[copper-clad steel]**. The ground rods shall be of the length and diameter specified on the plans, but in no case shall they be less than 8-feet (240 cm) long nor less than 5/8 inch (15 mm) in diameter.

Engineer should evaluate the soils in the vicinity of proposed counterpoise and ground rod installations and determine if soil conditions would adversely affect copper. Engineer shall specify the type of ground rod and counterpoise wire to be installed in consideration of the soil conditions. If tinned copper counterpoise or ground wire is specified, include requirement for UL listing.

108-2.4 CABLE CONNECTIONS. In-line connections of underground primary cables shall be of the type called for on the plans, and shall be one of the types listed below. No separate payment will be made for cable connections.

a. The Cast Splice. A cast splice, employing a plastic mold and using epoxy resin equivalent to that manufactured by Minnesota Mining and Manufacturing Company, "Scotchcast" Kit No. 82--B, or as manufactured by Hysol Corporation, "Hyseal Epoxy Splice" Kit No. E1135, or equivalent, is used for potting the splice is acceptable.

b. The Field-attached Plug-in Splice. Figure 3 of AC 150/5345-26, Specification for L-823 Plug and Receptacle, Cable Connectors, employing connector kits, is acceptable--for field attachment to single conductor cable. It shall be the Contractor's responsibility to determine the outside diameter of the cable to be spliced and to furnish appropriately sized connector kits and/or adapters and heat shrink tubing with integral sealant.

c. The Factory-Molded Plug-in Splice. Specification for L-823 Connectors, Factory-Molded to Individual Conductors, is acceptable.

d. The Taped or Heat-Shrunked Splice. Taped splices employing field-applied rubber, or synthetic rubber tape covered with plastic tape is acceptable. The rubber tape should meet the requirements of ASTM D 4388 and the plastic tape should comply with Mil Spec. MIL-I-24391 or Fed. Spec. A-A-55809. Heat shrinkable tubing shall be heavy-wall, self-sealing tubing rated for the voltage of the wire being spliced and suitable for direct-buried installations. The tubing shall be factory coated with a thermoplastic adhesive-sealant that will adhere to the insulation of the wire being spliced forming a moisture- and dirt-proof seal. Additionally, heat shrinkable tubing for multi-conductor cables, shielded cables, and armored cables shall be factory kits designed for the application. Heat shrinkable tubing and tubing kits shall be manufactured by Tyco Electronics/ Raychem Corporation, Energy Division, or approved equivalent.

e. In all the above cases, connections of cable conductors shall be made using crimp connectors utilizing a crimping tool designed to make a complete crimp before the tool can be removed. All L-823/L-824 splices and terminations shall be made in accordance with the manufacturer's recommendations and listings.

f. All connections of counterpoise, grounding conductors and ground rods shall be made by the exothermic process or approved equivalent, except the base can ground clamp connector shall be used for attachment to the base can. All exothermic connections shall be made in accordance with the manufacturer's recommendations and listings.

108-2.5 SPLICER QUALIFICATIONS. Every airfield lighting cable splicer shall be qualified in making cable splices and terminations on cables rated above 5,000 volts AC. The Contractor shall submit to the Engineer proof of the qualifications of each proposed cable splicer for the cable type and voltage level to be worked on. Cable splicing/terminating personnel shall have a minimum of three (3) years continuous experience in terminating/splicing medium voltage cable.

108-2.6 CONCRETE. Concrete for cable markers shall conform to Specification Item P-610, "Structural Portland Cement Concrete."

108-2.7 FLOWABLE BACKFILL. Flowable material used to backfill trenches for power cable trenches shall conform to the requirements of Item P-153 "Controlled Low Strength Material".

108-2.8 CABLE IDENTIFICATION TAGS. Cable identification tags shall be made from a non-corrosive material with the circuit identification stamped or etched onto the tag. The tags shall be of the type as detailed on the plans.

108-2.9 TAPE. Electrical tapes shall be Scotch Electrical Tapes – number Scotch 88 (1-1/2" wide) and Scotch 130C linerless rubber splicing tape (2" wide), as manufactured by the Minnesota Mining and Manufacturing Company, or approved equivalent.

108-2.10 ELECTRICAL COATING. Scotchkote shall be as manufactured by Minnesota Mining and Manufacturing Company, or approved equivalent.

108-2.11 EXISTING CIRCUITS. Whenever the scope of work requires, connection to an existing circuit, the circuit's insulation resistance shall be tested, in the presence of the Engineer. The test shall be performed in accordance with this item and prior to any activity affecting the respective circuit. The Contractor shall record the results on forms acceptable to the engineer. When the work affecting the circuit is complete, the circuit's insulation resistance shall be checked again, in the presence of the Engineer. The Contractor shall record the results on forms acceptable to the engineer. The second reading shall be equal to or greater than the first reading or the Contractor shall make the necessary repairs to the circuit to bring the second reading above the first reading. All repair costs including a complete replacement of the L-823 connectors, L-830 transformers and L-824 cable, if necessary, shall be borne by the Contractor. All test results shall be submitted in the Operation and Maintenance (O&M) Manual.

CONSTRUCTION METHODS

108-3.1 GENERAL. The Contractor shall install the specified cable at the approximate locations indicated on the plans. Unless otherwise shown on the plans, all cable required to cross under pavements expected to carry aircraft loads shall be installed in concrete encased duct banks. Wherever possible, cable shall be run without splices, from connection to connection.

Cable connections between lights will be permitted only at the light locations for connecting the underground cable to the primary leads of the individual isolation transformers. The Contractor shall be responsible for providing cable in continuous lengths for home runs or other long cable runs without connections, unless otherwise authorized in writing by the Engineer or shown on the plans.

In addition to connectors being installed at individual isolation transformers, L-823 cable connectors for maintenance and test points shall be installed at locations shown on the plans. Cable circuit identification markers shall be installed on both sides of the L-823 connectors installed or at least once in each access point where L-823 connectors are not installed.

Engineer should determine and specify on the plans an adequate number of locations for installing L-823 connectors to provide maintenance and test points.

Provide not less than 3 feet of cable slack on each side of all connections, isolation transformers, light units, and at points where cable is connected to field equipment. Where provisions must be made for testing or for future above grade connections, provide enough slack to allow the cable to be extended at least one foot vertically above the top of the access structure. This requirement also applies where primary cable passes through empty base cans, junction and access structures to allow for future connections, or as designated by the Engineer.

108-3.2 INSTALLATION IN DUCT BANKS OR CONDUITS. This item includes the installation of the cable in duct banks or conduit as described below. The maximum number and voltage ratings of cables installed in each single duct or conduit, and the current-carrying capacity of each cable shall be in accordance with the latest National Electric Code, or the code of the local agency or authority having jurisdiction.

The Contractor shall make no connections or splices-of any kind in cables installed in conduits or duct banks.

Unless otherwise designated in the plans, where ducts are in tiers, use the lowest ducts to receive the cable first, with spare ducts left in the upper levels. Check duct routes prior to construction to obtain assurance that the shortest routes are selected and interferences are avoided.

Duct banks or conduits shall be installed as a separate item in accordance with Item L-110, "Airport Underground Electrical Duct Banks and Conduit." The Contractor shall run a mandrel through duct banks or conduit prior to installation of cable to insure that the duct bank or conduit is open, continuous and clear of debris. Mandrel size shall be compatible with conduit size. The Contractor shall swab out all conduits/ducts and clean base can, manhole, etc. interiors IMMEDIATELY prior to pulling cable. Once cleaned and swabbed the base cans and all accessible points of entry to the duct/conduit system shall be kept closed except when installing cables. Cleaning of ducts, base cans, manholes, etc. is incidental to the pay item of the item being cleaned. All raceway systems left open, after initial cleaning, for any reason shall be recleaned at the Contractor's expense. All accessible points shall be kept closed when not installing cable. The Contractor shall verify existing ducts proposed for use in this project as clear and open. The Contractor shall notify the Engineer of any blockage in the existing ducts. The cable shall be installed in a manner to prevent harmful stretching of the conductor, injury to the insulation, or damage to the outer protective covering. The ends of all cables shall be sealed with moisture-seal tape providing moisture-tight mechanical protection with minimum bulk, or alternately, heat shrinkable tubing before pulling into the conduit and

it shall be left sealed until connections are made. Where more than one cable is to be installed in a conduit, all cable shall be pulled in the conduit-at the same time. The pulling of a cable through duct banks or conduits may be accomplished by handwinch or power winch with the use of cable grips or pulling eyes. Maximum pulling-tensions shall-be governed by cable manufacturer’s recommendations. A non-hardening lubricant recommended for the type of cable being installed shall be used where pulling lubricant is required.

[Contractor shall submit pulling tension values to the Engineer prior to any cable installation. If required by the Engineer, pulling tension values for cable pulls shall be monitored by a dynamometer in the presence of the Engineer. Cable pull tensions shall be recorded by the Contractor and reviewed by the Engineer. Cables exceeding the maximum allowable pulling tension values shall be removed and replaced by the Contractor at the Contractor’s expense.]

The manufacturer's minimum bend radius or the NEC requirements whichever is more restrictive shall apply. Cable installation, handling and storage shall be per manufacturer's recommendations. During cold weather, particular attention shall be paid to the manufacturer's minimum installation temperature. Cable shall not be installed when the temperature is at or below the manufacturer's minimum installation temperature. At the Contractor’s option, the Contractor may submit a plan, for review by the Engineer, for heated storage of the cable and maintenance of an acceptable cable temperature during installation when temperatures are below the manufacturer’s minimum cable installation temperature.

Cable shall not be dragged across base can or manhole edges, pavement or earth. When cable must be coiled, lay cable out on a canvas tarp or utilize other appropriate means to prevent abrasion to the cable jacket.

Engineer may optionally add this language.

108-3.3 INSTALLATION OF DIRECT-BURIED CABLE IN TRENCHES. Unless otherwise specified, the Contractor shall not use a cable plow for installing the cable. Cable(s) shall be unreeled uniformly in place alongside or in the trench and shall be carefully placed along the bottom of the trench. The cable(s) shall not be unreeled and pulled into the trench from one end. Slack cable sufficient to provide strain relief shall be placed in the trench in a series of S curves. Sharp bends or kinks in the cable shall not be permitted.

Where cables must cross over each other, a minimum of 3-inch vertical displacement shall be provided with the topmost cable depth at or below the minimum required depth below finished grade.

Primary airfield lighting cables installed shall have cable circuit identification markers attached on both sides of each L-823 connector and on each airport lighting cable entering or leaving cable access points, such as manholes, handholes, pullboxes, junction boxes, etc. Markers shall be of sufficient length for imprinting the cable circuit identification legend on one line, using letters not less than ¼ inch in size. The cable circuit identification shall match the circuits noted on the construction plans.

a. Trenching. Where turf is well established and the sod can be removed, it shall be carefully stripped and properly stored. Trenches for cables may be excavated manually or with mechanical trenching equipment. Walls of trenches shall be essentially vertical so that a minimum of surface is disturbed. Graders shall not be used to excavate the trench with their blades. The bottom surface of trenches shall be essentially smooth and free from coarse aggregate. Unless otherwise specified, cable trenches shall be excavated to a minimum depth of 18 inches below finished grade, except as follows:

- (1) When off the airport or crossing under a roadway or driveway, the minimum depth shall be 36 inches unless otherwise specified.
- (2) Minimum cable depth when crossing under a railroad track, shall be 42 inches unless otherwise specified.

Dewatering necessary for cable installation, erosion and turbidity control, in accordance with Federal, State, and Local requirements is incidental to its respective pay items as part of Item L-108. The cost of all excavation regardless of type of material encountered, shall be included in the unit price bid for the L-108 Item.

The Contractor shall excavate all cable trenches to a width not less than 6 inches. Unless otherwise specified on the plans, all cables in the same location and running in the same general direction shall be installed in the same trench.

When rock is encountered, the rock shall be removed to a depth of at least 3 inches below the required cable depth and it shall be replaced with bedding material of earth or sand containing no mineral aggregate particles that would be retained on a 1/4-inch sieve. Flowable backfill material may alternatively be used. The Contractor shall ascertain the type of soil or rock to be excavated before bidding. All such rock removal shall be performed and paid for under Item P-152.

Duct bank or conduit markers temporarily removed for trench excavations shall be replaced as required.

It is the Contractor's responsibility to locate existing utilities within the work area prior to excavation. Where existing active cable(s) cross proposed installations, the Contractor shall insure that these cable(s) are adequately protected. Where crossings are unavoidable, no splices will be allowed in the existing cables, except as specified on the plans. Installation of new cable where such crossings must occur shall proceed as follows:

(1) Existing cables shall be located manually. Unearthed cables shall be inspected to assure absolutely no damage has occurred.

(2) Trenching, etc., in cable areas shall then proceed, with approval of the Engineer, with care taken to minimize possible damage or disruption of existing cable, including careful backfilling in area of cable.

In the event that any previously identified cable is damaged during the course of construction, the Contractor shall be responsible for the complete repair or replacement.

b. Backfilling. After the cable has been installed, the trench shall be backfilled. The first layer of backfill in the trench shall be 3 inches deep, loose measurement, and shall be either earth or sand containing no mineral aggregate particles that would be retained on a 1/4-inch sieve. This layer shall not be compacted. The second layer shall be 5 inches deep, loose measurement, and shall contain no particles that would be retained on a 1-inch sieve. The remaining 3rd and subsequent layers of backfill shall not exceed 8 inches of loose measurement and be excavated or imported material and shall not contain stone or aggregate larger than 4 inches maximum diameter.

The second and subsequent layers shall be thoroughly tamped and compacted to at least the density of the adjacent undisturbed soil, and to the satisfaction of the Engineer. If necessary to obtain the desired compaction, the backfill material shall be moistened or aerated as required.

Trenches shall not contain pools of water during backfilling operations. The trench shall be completely backfilled and tamped level with the adjacent surface, except that when turf is to be established over the trench, the backfilling shall be stopped at an appropriate depth consistent with the type of turfing operation to be accommodated. A proper allowance for settlement shall also be provided. Any excess excavated material shall be removed and disposed of in accordance with the plans and specifications.

Underground electrical warning (caution) tape shall be installed in the trench above all direct-buried cable. Contractor shall submit a sample of the proposed warning tape for acceptance by the Engineer. If not shown on the plans, the warning tape shall be located six inches above the direct-buried cable or the counterpoise wire if present. A 4-6 inch wide polyethylene film detectable tape, with a metalized foil core, shall be installed above all direct buried cable or counterpoise. The tape shall be of the color and have a continuous legend as indicated on the plans. The tape shall be installed 8 inches minimum below finished grade.

c. Restoration. Where soil and sod has been removed, it shall be replaced as soon as possible after the backfilling is completed. All areas disturbed by work shall be restored to its original condition. The restoration

shall include the [sodding] [topsoiling] [fertilizing] [liming] [seeding] [sprigging] [mulching] as shown on the plans. The Contractor shall be held responsible for maintaining all disturbed surfaces and replacements until final acceptance. When trenching is through paved areas, restoration shall be equal to existing conditions and compaction shall meet the requirements of Item P-152. Restoration shall be considered incidental to the pay item of which it is a component part.

Engineer to specify the correct method of turfing and remember to include in the construction documents the appropriate FAA turfing specification for restoration related to the installation of the power cables.

Under certain conditions, it may be beneficial to install cables by cable plowing. This type of installation method should only be specified where sandy soils are prevalent and with no rocks or other debris that would nick or cut the cable insulation. The engineer should specify the equipment to be used so the cables are placed at a minimum depth of 18 inches below finished grade. The cable should be manually unreel off the spool as the machine travels, such that the earth is not unreeling the spool.

108-3.4 CABLE MARKERS FOR DIRECT-BURIED CABLE. The location of direct buried circuits shall be marked by a concrete slab marker, 2 feet (60 cm) square and 4-6 inches (100-150 mm) thick, extending approximately 1 inch (25 mm) above the surface. Each cable run from a-line of lights and signs to the equipment vault shall be marked at approximately every 200 feet (60 m) along the cable run, with an additional marker at each change of direction of cable run. All other direct-buried cable shall be marked in the same manner. Cable markers shall be installed directly-above the cable. The Contractor shall impress the word "CABLE" and directional arrows on each cable marking slab. The letters shall be approximately 4 inches (100 mm) high and 3 inches (75 mm) wide, with width of stroke 1/2 inch (12 mm) and 1/4 inch (6 mm) deep.

The location of each underground cable connection, except at lighting units, or isolation-transformers, or power adapters shall be marked by a concrete marker slab placed above the connection. The Contractor shall impress the word "SPlice" on each slab. The Contractor-also shall impress additional circuit identification symbols on each slab as directed-by the Engineer. All cable markers and splice markers shall be painted international orange. Paint shall be specifically manufactured for uncured exterior concrete. Furnishing and installation of cable markers is incidental to the respective cable pay item.

108-3.5 SPLICING. Connections of the type shown on-the plans shall be made by experienced personnel regularly engaged in this type of work and shall be made as follows:

a. Cast Splices. These shall be made by using crimp connectors for jointing conductors. Molds shall be assembled, and the compound shall be mixed and poured in accordance with manufacturer's instructions and to the satisfaction of the Engineer.

b. Field-attached Plug-in Splices. These shall be assembled in accordance with manufacturer's instructions. These splices shall be made by plugging directly into mating connectors. In all cases the joint where the connectors come together shall be wrapped with at least one layer of rubber or synthetic rubber tape and one layer of plastic tape, one-half lapped, extending at least 1-1/2 inches (37 mm) on each side of the joint.

c. Factory-Molded Plug-in Splices. These shall be made by plugging directly into mating connectors. In all cases, the joint where the connectors come together shall be wrapped with at least one layer of rubber or synthetic

rubber tape and one layer of plastic tape, one-half lapped, extending at least 1-1/2 inches (37 mm) on each side of the joint.

d. Taped or Heat-Shrunked Splices. A taped splice shall be made in the following manner:

Bring the cables to their final position and cut so that the conductors will butt. Remove insulation and jacket allowing for bare conductor of proper length to fit compression sleeve connector with 1/4 inch (6 mm) of bare conductor on each side of the connector. Prior to splicing, the two ends of the cable insulation shall be penciled using a tool designed specifically for this purpose and for cable size and type. Do not use emery paper on splicing operation since it contains metallic particles. The copper conductors shall be thoroughly cleaned. Join the conductors by inserting them equidistant into the compression connection sleeve. Crimp conductors firmly in place with crimping tool that requires a complete crimp before tool can be removed. Test the crimped connection by pulling on the cable. Scrape the insulation to assure that the entire surface over which the tape will be applied (plus 3 inches (75 mm) on each end) is clean. After scraping wipe the entire area with a clean lint-free cloth. Do not use solvents.

Apply high-voltage rubber tape one-half lapped over bare conductor. This tape should be tensioned as recommended by the manufacturer. Voids in the connector area may be eliminated by highly elongating the tape, stretching it just short of its breaking point. Throughout the rest of the splice less tension should be used. Always attempt to exactly half-lap to produce a uniform buildup. Continue buildup to 1-1/2 times cable diameter over the body of the splice with ends tapered a distance of approximately 1 inch (25 mm) over the original jacket. Cover rubber tape with two layers of vinyl pressure-sensitive tape one-half lapped. Do not use glyptol or lacquer over vinyl tape as they react as solvents to the tape. No further cable covering or splice boxes are required.

Heat shrinkable tubing shall be installed following manufacturer's instructions. Direct flame heating shall not be permitted unless recommended by the manufacturer. Cable surfaces within the limits of the heat-shrink application shall be clean and free of contaminants prior to application.

108-3.6 BARE COUNTERPOISE WIRE INSTALLATION FOR LIGHTNING PROTECTION AND GROUNDING. If shown on-the plans or included-in the job specifications, bare counterpoise copper wire shall be installed for lightning protection of the underground cables. Counterpoise wire shall be installed in the same trench for the entire length of buried cable, conduits and duct banks that are installed to contain airfield cables. Where the cable or duct/conduit trench runs parallel to the edge of pavement, the counterpoise shall be installed in a separate trench located half the distance between the pavement edge and the cable or duct/conduit trench. In trenches not parallel to pavement edges, counterpoise wire shall be installed continuously a minimum of 4 inches above the cable, conduit or duct bank, or as shown on the plans if greater. Additionally, counterpoise wire shall be installed at least 8 inches below the top of subgrade in paved areas or 10 inches below finished grade in un-paved areas. This dimension may be less than 4 inches where conduit is to be embedded in existing pavement. Counterpoise wire shall not be installed in conduit.

The counterpoise wire shall be routed around to each light fixture base, mounting stake, or junction/access structures. The counterpoise wire shall also be exothermically welded to-ground rods installed as shown on the plans but not more than 500feet (150 m) apart around the entire circuit.

The counterpoise system shall be continuous and terminate at the transformer vault or at the power source. It shall be securely attached to the vault or equipment external ground ring or other made electrode grounding system. The connections shall be made as shown on-the plans and in the specifications.

If shown on the plans or in the specifications, a separate equipment (safety) ground system shall be provided in addition to the counterpoise wire using one of the following methods:

(1) A ground rod installed at and securely attached to each light fixture base, mounting stake if painted, and to all metal surfaces at junction/access structures.

(2) Install an insulated equipment ground conductor internal to the conduit system and securely attached it to each light fixture base and to all metal surfaces at junction/access structures. This equipment ground

conductor shall also be exothermically welded to ground rods installed not more than 500 feet (150 m) apart around the circuit.

a. Counterpoise Installation Above Multiple Conduits and Duct Banks. Counterpoise wires shall be installed above multiple conduits/duct banks for airfield lighting cables, with the intent being to provide a complete cone of protection over the airfield lighting cables. When multiple conduits and/or duct banks for airfield cable are installed in the same trench, the number and location of counterpoise wires above the conduits shall be adequate to provide a complete cone of protection measured $22\frac{1}{2}$ degrees each side of vertical.

Where duct banks pass under pavement to be constructed in the project, the counterpoise shall be placed above the duct bank. Reference details on the construction plans.

b. Counterpoise Installation at Existing Duct Banks. When airfield lighting cables are indicated on the plans to be routed through existing duct banks, the new counterpoise wiring shall be terminated at ground rods at each end of the existing duct bank where the cables being protected enter and exit the duct bank. The new counterpoise conductor shall be bonded to the existing counterpoise system.

108-3.7 EXOTHERMIC BONDING. Bonding of counterpoise wire shall be by the exothermic welding process. Only personnel experienced in and regularly engaged in this type of work shall make these connections.

Contractor shall demonstrate to the satisfaction of the Engineer, the welding kits, materials and procedures to be used for welded connections prior to any installations in the field. The installations shall comply with the manufacturer's recommendations and the following:

All slag shall be removed from welds.

For welds at light fixture base cans, all galvanized coated surface areas and "melt" areas, both inside and outside of base cans, damaged by exothermic bond process shall be restored by coating with a liquid cold-galvanizing compound conforming to U.S. Navy galvanized repair coating meeting Mil. Spec. MIL-P-21035. Surfaces to be coated shall be prepared and compound applied in accordance with manufacturer's recommendations.

All buried copper and weld material at weld connections shall be thoroughly coated 6 mil of 3M "Scotchkote," or approved equivalent, or coated with coal tar bitumastic material to prevent surface exposure to corrosive soil or moisture."

108-3.8 TESTING. The Contractor shall furnish all necessary equipment and appliances for testing the airport electrical systems and underground cable circuits before and after installation. The Contractor shall perform all tests in the presence of the Engineer. The Contractor shall demonstrate the electrical characteristics to the satisfaction of the Engineer. All costs for testing are incidental to the respective item being tested. For phased projects, the tests must be completed by phase and results meeting the specifications below must be maintained by the Contractor throughout the entire project as well as during the ensuing warranty period.

Earth resistance testing methods shall be submitted to the Engineer for approval. Earth resistance testing results shall be recorded on an approved form and testing shall be performed in the presence of the Engineer. All such testing shall be at the sole expense of the Contractor.

Should the counterpoise or ground grid conductors be damaged or suspected of being damaged by construction activities the Contractor shall test the conductors for continuity with a low resistance ohmmeter. The conductors shall be isolated such that no parallel path exists and tested for continuity. The Engineer shall approve of the test method selected. All such testing shall be at the sole expense of the Contractor.

After installation, the Contractor shall test and demonstrate to the satisfaction of the Engineer the following:

a. That all affected lighting power and control circuits (existing and new) are continuous and free from short circuits.

- b. That all affected circuits (existing and new) are free from unspecified grounds.
- c. That the insulation resistance to ground of all new non-grounded series circuits or cable segments is not less than 50 megohms.
- d. That the insulation resistance to ground of all non-grounded conductors of new multiple circuits or circuit segments is not less than 50 megohms.
- e. That all affected circuits (existing and new) are properly connected in accordance with applicable wiring diagrams.
- f. That all affected circuits (existing and new) are operable. Tests shall be conducted that include operating each control not less than 10 times and the continuous operation of each lighting and power circuit for not less than 1/2 hour.
- g. That the impedance to ground of each ground rod does not exceed 25 ohms prior to establishing connections to other ground electrodes. The fall-of-potential ground impedance test shall be utilized, as described by ANSI/IEEE Standard 81, to verify this requirement.

Two copies of tabulated results of all cable tests performed shall be supplied by the Contractor to the Engineer. Where connecting new cable to existing cable, ground resistance tests shall be performed on the new cable prior to connection to the existing circuit.

There are no approved "repair" procedures for items that have failed testing other than complete replacement.

METHOD OF MEASUREMENT

108-4.1 Trenching shall be measured by the linear feet (meters) of trench, including the excavation, backfill, and restoration, completed, measured as excavated, and accepted as satisfactory.

When specified, separate measurement shall be made for trenches of various specified widths.

The cost of all excavation, backfill, dewatering and restoration regardless of the type of material encountered shall be included in the unit price bid for the work.

108-4.2 Cable or counterpoise wire installed in trench, duct bank or conduit shall be measured by the number of linear feet (meters) of cable or counterpoise wire installed in trenches, duct bank or conduit, including ground rods and grounding connectors, and trench marking tape ready for operation, and accepted as satisfactory. Separate measurement shall be made for each cable or counterpoise wire installed in trench, duct bank or conduit. The measurement for this item **[shall] [shall not]** include additional quantities required for slack.

Engineer to decide if the quantity of cable provided in the bid tabulations includes an estimated quantity for slack. If so, this should be clearly identified on the plans and specifications. If not, add the following language at the end of paragraph 108-4.2:

“Cable and counterpoise slack is considered incidental to this item and is included in the contractor’s unit price. No separate measurement or payment will be made for cable or counterpoise slack.”

BASIS OF PAYMENT

108-5.1 Payment will be made at the contract unit price for trenching, cable and bare counterpoise wire installed in trench (direct-buried), or cable and equipment ground installed in duct bank or conduit, in place by the Contractor and accepted by the Engineer. This price shall be full compensation for furnishing all materials and for all preparation and installation of these materials, and for all labor, equipment, tools, and incidentals, including ground rods and ground connectors and trench marking tape, necessary to complete this item.

Payment will be made under:

- Item L-108-5.1 Trenching for direct-buried cable —per linear foot (meter)
- Item L-108-5.2 [No. 8 AWG] [No. 6 AWG] L-824C Cable, installed in trench, duct bank or conduit—per liner foot (meter)

Engineer to specify appropriate size of cable. If more than one size is required on the project, provide additional item nos.; one for each size and type.

- Item L-108-5.3 Bare Counterpoise Wire, installed in trench, duct bank or conduit, including ground rods and ground connectors—per linear foot (meter)
- Item L-108-5.4 Bare or insulated equipment ground, installed in duct bank or conduit including ground rods and ground conductors – per linear foot (meter).

MATERIAL REQUIREMENTS

- AC 150/5345-7 Specification for L-824 Underground Electrical Cable for Airport Lighting Circuits
- AC 150/5345-26 Specification for L-823 Plug and Receptacle Cable Connectors
- FED SPEC J-C-30 Cable and Wire, Electrical Power, Fixed Installation (cancelled; replaced by A-A-59544 Cable and Wire, Electrical (Power, Fixed Installation))
- FED SPEC A-A-55809 Insulation Tape, Electrical, Pressure-Sensitive Adhesive, Plastic
- ASTM B 3 Soft or Annealed Copper Wire
- ASTM D 4388 Rubber tapes, Nonmetallic Semiconducting and Electrically Insulating

REFERENCE DOCUMENTS

- NFPA No. 70 National Electrical Code (NEC)
- MIL-S-23586C Sealing Compound, Electrical, Silicone Rubber
- Building Industry Consulting Service International (BICSI)

ANSI/IEEE Std 81

IEEE Guide for Measuring Earth Resistivity, Ground Impedance, and Earth Surface Potentials of a Ground System

END OF ITEM L-108

ITEM L-109 AIRPORT TRANSFORMER VAULT AND VAULT EQUIPMENT

DESCRIPTION

109-1.1 This item shall consist of constructing an airport transformer vault or a prefabricated metal housing these specifications in accordance with the design and dimensions shown in the plans. This work shall also include the installation of conduits in floor and foundation, painting and lighting of the vault or metal housing, and the furnishing of all incidentals necessary to produce a completed unit. Included as a separate part under this item or as a separate item where an existing vault is to be utilized shall be the furnishing of all vault equipment, wiring, electrical buses, cable, conduit, potheads, and grounding systems. This work shall also include the painting of equipment and conduit; the marking and labeling of equipment and the labeling or tagging of wires; the testing of the installation; and the furnishing of all incidentals necessary to place it in operating condition as a completed unit to the satisfaction of the Engineer.

EQUIPMENT AND MATERIALS

109-2.1 GENERAL.

a. Airport lighting equipment and materials covered by Federal Aviation Administration (FAA) specifications shall be certified and listed under Advisory Circular (AC) 150/5345-53, Airport Lighting Equipment Certification Program.

b. All other equipment and materials covered by other referenced specifications shall be subject to acceptance through manufacturer's certification of compliance with the applicable specification when requested by the Engineer.

c. Manufacturer's certifications shall not relieve the Contractor of the Contractor's responsibility to provide materials in accordance with these specifications and acceptable to the Engineer. Materials supplied and/or installed that do not materially comply with these specifications shall be removed, when directed by the Engineer and replaced with materials, which do comply with these specifications, at the sole cost of the Contractor.

d. All materials and equipment used to construct this item shall be submitted to the Engineer for approval prior to ordering the equipment. Submittals consisting of marked catalog sheets or shop drawings shall be provided. Submittal data shall be presented in a clear, precise and thorough manner. Original catalog sheets are preferred. Photocopies are acceptable provided they are as good a quality as the original. Clearly and boldly mark each copy to identify pertinent products or models applicable to this project. Indicate all optional equipment and delete non-pertinent data. Submittals for components of electrical equipment and systems shall identify the equipment for which they apply on each submittal sheet. Markings shall be boldly and clearly made with arrows or circles (highlighting is not acceptable). Contractor is solely responsible for delays in project accruing directly or indirectly from late submissions or resubmissions of submittals.

e. The data submitted shall be sufficient, in the opinion of the Engineer, to determine compliance with the plans and specifications. [The Contractor's submittals shall be neatly bound in a properly sized 3-ring binder, tabbed by specification section.] The Engineer reserves the right to reject any and all equipment, materials or procedures, which, in the Engineer's opinion, does not meet the system design and the standards and codes, specified herein.

f. All equipment and materials furnished and installed under this section shall be guaranteed against defects in materials and workmanship for a period of at least [twelve (12) months] from final acceptance by the Owner. The defective materials and/or equipment shall be repaired or replaced, at the Owner's discretion, with no additional cost to the Owner.

The engineer should specify the form in which submittals are to be received and number of copies.

The length of time for guarantee of materials and workmanship should be as stated in the contract between the owner and contractor and the contract special provisions.

CONSTRUCTION OF VAULT AND PREFABRICATED METAL HOUSING

109-2.2 CONCRETE. The concrete for the vault shall be proportioned, placed, and cured in accordance with Item P-610, Structural Portland Cement Concrete, using 3/4-inch (18 mm) maximum size coarse aggregate.

109-2.3 REINFORCING STEEL. Reinforcing steel bars shall be intermediate or structural grade deformed-type bars and shall meet the requirements of ASTM A 615.

109-2.4 BRICK. Brick shall conform to ASTM C 62, Grade SW.

109-2.5 RIGID STEEL CONDUIT. Rigid steel conduit and fittings shall be in accordance with Underwriters Laboratories Standard 6 and 514.

109-2.6 LIGHTING. Vault or metal-housing light fixtures shall be of a vaporproof type.

109-2.7 OUTLETS. Convenience outlets shall be heavy-duty duplex units designed for industrial service.

109-2.8 SWITCHES. Vault or metal-housing light switches shall be single-pole switches.

109-2.9 PAINT.

a. Priming paint for ungalvanized metal surfaces shall be a high solids alkyd primer conforming to TT-P-664D.

b. White paint for body and finish coats on metal and wood surfaces shall be ready-mixed paint conforming to the Master Painter’s Institute, Reference #9, Exterior Alkyd, Gloss, VOC Range E2.

c. Priming paint for wood surfaces shall be mixed on the job by thinning the above specified white paint by adding 1/2 pint (0.06 liter) of raw linseed oil to each gallon (liter).

d. Paint for the floor, ceiling, and inside walls shall be in accordance with Fed. Spec. TT-E-487. Walls and ceiling shall be light gray and the floor shall be medium gray.

e. The roof coating shall be hot asphalt material in accordance with ASTM D 2823.

109-2.10 HIGH-VOLTAGE BUS. High-voltage bus shall be standard weight 3/8-inch (9 mm) IPS copper tubing or it may be insulated copper cable of the size and voltage rating specified.

109-2.11 BUS CONNECTORS. Connectors shall be similar to Burndy Type NT (or equivalent) for copper tubing. Connectors for insulated bus cable shall be of the proper size and type for the service intended.

109-2.12 BUS SUPPORTS. Bus supports shall be similar to Westinghouse No. 527892 (or equivalent), insulated for 7,500 volts, single clamp type for 2-bolt flat mounting.

109-2.13 GROUND BUS. Ground bus shall be 1/8 - x 3/4-inch (3 x 18 mm) minimum copper bus bar.

109-2.14 SQUARE DUCT. Duct shall be square similar to that manufactured by the Square D Company (or equivalent), or the Trumbull Electric Manufacturing Company (or equivalent). The entire front of the duct on each section shall consist of hinged or removable cover for ready access to the interior. The cross section of the duct shall be not less than 4 x 4 inches (100 x 100 mm) except where otherwise shown in the plans.

109-2.15 GROUND RODS. Ground rods shall be copper or copper-clad of the length and diameter specified in the plans.

109-2.16 POTHEADS. Potheads shall be similar to G&W Type N, Shape C (or equivalent), unless otherwise specified. Potheads shall be furnished with plain insulator bushings and conduit couplings. Potheads shall have a rating not less than the circuit voltage.

109-2.17 PREFABRICATED METAL HOUSING. The prefabricated metal housing shall be a commercially available unit.

109-2.18 FAA-APPROVED EQUIPMENT. Certain items of airport lighting equipment installed in vaults are covered by individual FAA equipment specifications. The specifications are listed below:

AC 150/5345-3 Specification for L-821 Panels for Remote Control of Airport Lighting

AC 150/5345-5 Circuit Selector Switch

AC 150/5345-7 Specification for L-824 Underground Electrical Cable for Airport Lighting Circuits

AC 150/5345-10 Specification for Constant Current Regulators and Regulator Monitors

AC 150/5345-13 Specification for L-841 Auxiliary Relay Cabinet Assembly for Pilot Control of Airport Lighting Circuits.

109-2.19 OTHER ELECTRICAL EQUIPMENT. Constant-current regulators, distribution transformers, oil switches, cutouts, relays, terminal blocks, transfer relays, circuit breakers, and all other regularly used commercial items of electrical equipment not covered by FAA equipment specifications shall conform to the applicable rulings and standards of the Institute of Electrical and Electronic Engineers or the National Electrical Manufacturers Association. When specified, test reports from a testing laboratory indicating that the equipment meets the specifications shall be supplied. In all cases, equipment shall be new and a first-grade product. This equipment shall be supplied in the quantities required for the specific project and shall incorporate the electrical and mechanical characteristics specified in the proposal and plans.

109-2.20 WIRE. Wire in conduit rated up to 5,000 volts shall conform to AC 150/5345-7, Specification for L-824 Underground Electrical Cables for Airport Lighting Circuits, for rubber insulated neoprene-covered wire, or Fed. Spec. J-C-30, Type RHW, for rubber insulated fibrous-covered wire. For ratings up to 600 volts, thermoplastic wire conforming to Fed. Spec. J-C-30, Types TW, THW, and THWN, shall be used. The wires shall be of the type, size, number of conductors, and voltage shown in the plans or in the proposal.

a. Control Circuits. Unless otherwise indicated on the plans, wire shall be not less than No. 12 AWG and shall be insulated for 600 volts. If telephone control cable is specified, No. 19 AWG telephone cable conforming to ICEA S-85-625-1996 specifications shall be used.

b. Power Circuits.

- (1) 600 volts maximum-Wire shall be No. 6 AWG or larger and insulated for at least 600 volts.
- (2) 3,000 volts maximum-Wire shall be No. 6 AWG or larger and insulated for at least 3,000 volts.
- (3) Over 3,000 volts-Wire shall be No. 6 AWG or larger and insulated for at least the circuit voltage.

CONSTRUCTION METHODS

CONSTRUCTION OF VAULT AND PREFABRICATED METAL HOUSING

109-3.1 GENERAL. The Contractor shall construct the transformer vault or prefabricated metal housing at the location indicated in the plans. Vault construction shall be reinforced concrete, concrete masonry, or brick wall as

specified. The metal housing shall be prefabricated equipment enclosure to be supplied in the size specified. The mounting pad or floor details, installation methods, and equipment placement are shown in the plans.

The Contractor shall clear, grade, and seed the area around the vault or metal housing for a minimum distance of 10 feet (3 m) on all sides. The slope shall be not less than 1/2-inch per foot (40 mm per m) away from the vault or metal housing in all directions.

The vault shall provide adequate protection against weather elements, including rain, wind-driven dust, snow, ice and excessive heat. The vault shall have sufficient filtered ventilation, to assure that the interior room temperatures and conditions do not exceed the recommended limits of the electrical equipment to be installed in the vault. Contractor is responsible for contacting the manufacturer of the equipment to be installed to obtain environmental limitations of the equipment to be installed.

The electrical vault shall provide reasonable protection of the equipment that it is intended to house. As most of the equipment located in the vault is likely housed in NEMA 1 enclosures, the vault itself shall be designed to provide sufficient protection against weather elements.

Assure that the vault that is to be supplied has sufficient environmental controls to provide adequate ventilation to maintain temperatures within operational requirements of equipment to be installed. In addition, make sure that vault has sufficient seals and/or filters on doors and other openings to assure that wind-driven dust does not affect operation of equipment.

109-3.2 FOUNDATION AND WALLS.

a. Reinforced Concrete Construction. The Contractor shall construct the foundation and walls in accordance with the details shown in the plans. Unless otherwise specified, internal ties shall be of the mechanical type so that when the forms are removed the ends of the ties shall be at least 1-inch (25 mm) beneath the concrete surface; the holes shall be plugged and finished to prevent discoloration. Reinforcing steel shall be placed, as shown in the drawings, and secured in position to prevent displacement during the concrete placement.

The external surfaces of the concrete shall be thoroughly worked during the placing operation to force all coarse aggregate from the surface. Thoroughly work the mortar against the forms to produce a smooth finish free from air pockets and honeycomb.

The surface film of all pointed surfaces shall be removed before setting occurs. As soon as the pointing has set sufficiently, the entire surface inside and outside of the vault shall be thoroughly wet with water and rubbed with a No. 16 carborundum stone, or equivalent quality abrasive, bringing the surface to a paste. All form marks and projections shall be removed. The surface produced shall be smooth and dense without pits or irregularities. The materials which have been ground into a paste during the rubbing process shall be spread or brushed uniformly over the entire surface (except the interior surfaces that are to be painted shall have all paste removed by washing before painting) and permitted to reset. Final exterior finish shall be obtained by rubbing with No. 30 carborundum stone, or an equivalent quality abrasive. The surface shall be rubbed until the entire surface is smooth and uniform in color.

b. Brick and Concrete Construction. When this type of construction is specified, the foundation shall be concrete conforming to the details shown in the plans. The outer edge of the foundation at the floor level shall be beveled 1-1/2 inches (37 mm) at 45 degrees. Brick walls shall be 8 inches (200 mm) thick, laid in running bond with every sixth course a header course. Brick shall be laid in cement mortar (1 part masonry cement and 3 parts sand) with full mortar bed and shovelled joints. All joints shall be completely filled with mortar, and facing brick shall be back-parged with mortar as work progresses. All joints shall be 3/8 inch (9 mm) thick, exterior joints tooled

concave, and interior joints struck flush. Both interior and exterior brick surfaces shall be cleaned and nail holes, cracks and other defects filled with mortar. When specified, a nonfading mineral pigment mortar coloring shall be added to the mortar. Steel reinforcing bars, 3/8-inch (9 mm) in diameter and 12 inches (300 mm) long, shall be set vertically in the center of the brick wall on not more than 2-foot (60 cm) centers to project 2-1/2(60 mm) inches into the concrete roof slab. Lintels for supporting the brickwork over doors, windows, and louvers shall consist of two 4- x 3- x 3/8-inch (100 x 75 x 9 mm) steel angles. Lintels shall be painted with one coat of corrosion-inhibiting primer before installation, and all exposed parts shall be painted similar to doors and window sash after installation.

Window sills may be concrete poured in place or precast concrete as indicated in the plans. All exposed surfaces shall have a rubbed finish as specified under reinforced concrete construction. After completion, all interior and exterior faces of walls shall be scrubbed with a solution of muriatic acid and water in the proportions of not less than 1 part acid to 10 parts of water. All traces of efflorescence, loose mortar, and mortar stain shall be removed, and the walls washed down with clear water.

c. Concrete Masonry Construction. When this type of construction is specified, the foundation shall be concrete conforming to the details shown in the plans. The concrete masonry units shall be standard sizes and shapes and shall conform to ASTM C 90 and shall include the closures, jambs, and other shapes required by the construction as shown in the plans. Standard construction practice shall be followed for this type of work including mortar, joints, reinforcing steel for extensions into roof slab, etc. Plaster for interior walls, if specified, shall be portland cement plaster.

109-3.3 ROOF. The roof shall be reinforced concrete as shown in the plans. Reinforcing steel shall be placed as shown in the drawing and secured in position to prevent displacement during the pouring of the concrete. The concrete shall be poured monolithically and shall be free of honeycombs and voids. The surface shall have a steel-troweled finish and shall be sloped as shown in the drawing. The underside of the roof slab shall be finished in the same manner as specified for walls.

One brush or mop coat of hot asphalt roof coating shall be applied to the top surface of the roof slab. The asphalt material shall be heated to within the range specified by the manufacturer and immediately applied to the roof. The finished coat shall be continuous over the roof surface and free from holidays and blisters. Smears and dribbles of asphalt on the roof edges and building walls shall be removed.

109-3.4 FLOOR. The floor shall be reinforced concrete as shown in the drawings. When present, all sod, roots, refuse, and other perishable material shall be removed from the area under the floor to a depth of 8 inches (200 mm), unless a greater depth is specified in the invitation for bids. This area shall be backfilled with materials consisting of sand, cinders, gravel, or stone. Fill shall be placed in layers not to exceed 4 inches (100 mm) and shall be thoroughly compacted by tamping or rolling. A layer of building paper shall be placed over the fill prior to placing concrete. The floor surfaces shall have a steel-troweled finish. The floor shall be level unless a drain is specified, in which case the floor shall be pitched 1/4-inch (6 mm) per foot downward toward the drain. A 1/4-inch (6 mm) asphalt felt expansion joint shall be placed between floor and foundation walls. The floor shall be poured monolithically and shall be free of honeycombs and voids.

109-3.5 FLOOR DRAIN. If shown in the plans, a floor drain and dry well shall be installed in the center of the floor of the equipment room. The dry well shall be excavated 4 x 4 feet (120 x 120 cm) square and to a depth of 4 feet (120 cm) below the finished floor elevation and shall be backfilled to the elevation of the underside of the floor with gravel - which shall all pass a 2-inch (50 mm) mesh sieve and shall all be retained on a 1/4-inch (6 mm) mesh sieve. The gravel backfill shall be placed in 6-inch (150 mm) maximum layers, and the entire surface of each layer shall be tamped either with a mechanical tamper or with a hand tamper weighing not less than 25 pounds (11 kg) and having a face area of not more than 36 square inches (234 square cm) nor less than 16 square inches (104 square cm). The drain inlet shall be set flush in the concrete floor. The drain shall have a clear opening of not less than 8 inches (200 mm) in diameter.

109-3.6 CONDUITS IN FLOOR AND FOUNDATION. Conduits shall be installed in the floor and through the foundation walls in accordance with the details shown in the plans. All underground conduit shall be painted with a bituminous compound. Conduit shall be installed with a coupling or metal conduit adapter flush with the top of the

floor. All incoming conduit shall be closed with a pipe plug to prevent the entrance of foreign material during construction. Space conduit entrances shall be left closed.

109-3.7 DOORS. Doors shall be metal-clad fireproof class a doors conforming to requirements of the National Electric Code and local electrical codes.

109-3.8 PAINTING. The floor, ceiling, and inside walls of concrete construction shall first be given a hardening treatment, after which the Contractor shall apply two coats of paint as specified below, except that interior face brick walls need not be painted. The hardening treatment shall consist of applying two coats of either a commercial floor hardener or a solution made by dissolving 2 pounds (0.9 kg) of magnesium fluosilicate or zinc sulphate crystals in 1 gallon (liter) of water. Each coat shall be allowed to dry at least 48 hours before the next application. After the second treating coat has dried, the surfaces shall be brushed clean of all crystals and thoroughly washed with clear water. Paint for walls and ceiling shall be a light gray color approved by the Engineer. The floor paint shall be a medium gray color approved by the Engineer. Before painting, the surfaces shall be dry and clean. The first coat shall be thinned by adding 2/3-quart (0.166 liters) of spar varnish and 1/3-quart (0.083 liters) of turpentine to each gallon (liter) of paint. The second coat shall be applied without thinning. All doors, lintels, and windows shall be cleaned to remove any rust or foreign material and shall be given one body and one finish coat of white paint. Bare metal surfaces shall be given a prime coat of corrosion-inhibiting primer prior to the body and finish coats.

109-3.9 LIGHTS AND SWITCHES. The Contractor shall furnish and install a minimum of two duplex convenience outlets in the vault room. Where a control room is specified, at least two duplex outlets shall be installed.

INSTALLATION OF EQUIPMENT IN VAULT OR PREFABRICATED METAL HOUSING

109-3.10 GENERAL. The Contractor shall furnish, install, and connect all equipment, equipment accessories, conduit, cables, wires, buses, grounds, and support necessary to insure a complete and operable electrical distribution center for the airport lighting system as specified herein and shown in the plans. When specified, an emergency power supply and transfer switch shall be provided and installed.

The equipment installation and mounting shall comply with the requirements of the National Electrical Code and local code agency having jurisdiction.

109-3.11 POWER SUPPLY EQUIPMENT. Transformers, regulators, booster transformers, and other power supply equipment items shall be furnished and installed at the location shown in the plans or as directed by the Engineer. The power supply equipment shall be set on steel "H" sections, "I" beams, channels, or concrete blocks to provide a minimum space of 1-½ inches (37 mm) between the equipment and the floor. The equipment shall be placed so as not to obstruct the oil-sampling plugs of the oil-filled units; and name-plates shall, so far as possible, not be obscured.

If specified in the plans and specifications, equipment for an alternate power source or an emergency power generator shall be furnished and installed. The alternate power supply installation shall include all equipment, accessories, an automatic changeover switch, and all necessary wiring and connections. The emergency power generator set shall be the size and type specified.

109-3.12 SWITCHGEAR AND PANELS. Oil switches, fused cutouts, relays, transfer switches, panels, panel boards, and other similar items shall be furnished and installed at the location shown in the plans or as directed by the Engineer. Wall or ceiling mounted items shall be attached to the wall or ceiling with galvanized bolts of not less than 3/8-inch (9 mm) diameter engaging metal expansion shields or anchors in masonry or concrete vaults.

109-3.13 DUCT AND CONDUIT. The Contractor shall furnish and install square-type exposed metallic ducts with hinged covers for the control circuits in the vault. These shall be mounted along the walls behind all floor-mounted equipment and immediately below all wall-mounted equipment. The hinged covers shall be placed to open from the front side with the hinges at the front bottom.

Wall brackets for square ducts shall be installed at all joints 2 feet (60 cm) or more apart with intermediate brackets as specified. Conduit shall be used between square ducts and equipment or between different items of equipment when the equipment is designed for conduit connection. When the equipment is not designed for conduit connection, conductors shall enter the square-type control duct through insulating bushings in the duct or on the conduit risers.

109-3.14 CABLE ENTRANCE AND HIGH-VOLTAGE BUS SYSTEM. Incoming underground cable from field circuits and supply circuits will be installed outside the walls of the transformer vault as a separate item under Item L-108. The Contractor installing the vault equipment shall bring the cables from the trench or duct through the entrance conduits into the vault and make the necessary electrical connections. For the incoming and outgoing high voltage load circuits, the Contractor shall furnish and install rigid metallic vi conduit risers, surmounted by potheads, from floor level to the level as shown in the plans.

The incoming high-voltage power supply service to the vault shall enter below the floor of the vault and shall rise from the floor level in a rigid metallic conduit riser, surmounted by a pothead, as described above. Using insulated high-voltage cable, the incoming power service shall be connected from the pothead to the oil-fused cutouts or to the specified disconnecting switch or equipment. From the oil-fused cutouts or disconnecting device, the insulated service conductors shall be connected to the overhead voltage bus system of the vault. The high-voltage bus system shall utilize the materials specified and shall be mounted and installed in accordance with the requirements of the National Electrical Code or the local code agency having jurisdiction.

109-3.15 WIRING AND CONNECTIONS. The Contractor shall make all necessary electrical connections in the vault in accordance with the wiring diagrams furnished and as directed by the Engineer. In wiring to the terminal blocks, the Contractor shall leave sufficient extra length on each control lead to make future changes in connections at the terminal block. This shall be accomplished by running each control lead the longest way around the box to the proper terminal. Leads shall be neatly laced in place.

109-3.16 MARKING AND LABELING. All equipment, control wires, terminal blocks, etc., shall be tagged, marked, or labeled as specified below:

a. Wire Identification. The Contractor shall furnish and install self-sticking wire labels or identifying tags on all control wires at the point where they connect to the control equipment or to the terminal blocks. Wire labels, if used, shall be of the self-sticking preprinted type and of the manufacturer's recommended size for the wire involved. Identification -markings designated in the plans shall be followed. Tags, if used, shall be of fiber not less than 3/4-inch (13 mm) in diameter and not less than 1/32-inch (1 mm) thick. Identification markings designated in the plans shall be stamped on tags by means of smalltool dies. Each tag shall be securely tied to the proper wire by a nonmetallic cord.

b. Labels. The Contractor shall stencil identifying labels on the cases of regulators, breakers, and distribution and control relay cases with white oil paint as designated by the Engineer. The letters and numerals shall be not less than 1 inch (25 mm) in height and shall be of proportionate width. The Contractor shall also mark the correct circuit designations in accordance with the wiring diagram on the terminal marking strips, which are a part of each terminal block.

METHOD OF MEASUREMENT

109-4.1 The quantity of vaults to be paid for under this item shall consist of the number of vaults constructed in place and accepted as a complete unit.

109-4.2 The quantity of prefabricated metal housings to be paid for under this item shall consist of the number of housings constructed in place and accepted as a complete unit.

109-4.3 The quantity of vault or prefabricated metal housing equipment to be paid for under this item shall consist of all equipment installed, connected, and accepted as a complete unit ready for operation.

BASIS OF PAYMENT

109-5.1 Payment will be made at the contract unit price for each completed and accepted vault or prefabricated metal housing equipment installation. This price shall be full compensation for furnishing all materials and for all preparation, assembly, and installation of these materials, and for all labor, equipment, tools, and incidentals necessary to complete the item.

Payment will be made under:

Item L-109-5.1	Construction of Airport Transformer Vault in Place-per unit
Item L-109-5.2	Installation of Airport Transformer Vault Equipment in Place-per unit
Item L-109-5.3	Construction of Prefabricated Metal Housing and Foundation in Place-per unit
Item L-109-5.4	Installation of Prefabricated Metal Housing Equipment in Place-per unit

MATERIAL REQUIREMENTS

AC 150/5345-3	Specification for L-821 Panels for Remote Control of Airport Lighting
AC 150/5345-5	Circuit Selector Switch
AC 150/5345-7	Specification for L-824 Underground Electrical Cable for Airport Lighting Circuits
AC 150/5345-10	Specification for Constant Current Regulators and Regulator Monitors
AC 150/5345-13A	Specification for L-841 Auxiliary Relay Cabinet Assembly for Pilot Control of Airport Lighting Circuits
ANSI/ICEA S-85-625-1996	Aircore, Polyethylene Insulated, Copper Conductor, Telecommunications Cable
ASTM A 615	Specification for Deformed and Plain Billet Steel Bars for Concrete Reinforcement
ASTM C 62	Specification for Building Brick (Solid Masonry Units Made from Clay or Shale)
ASTM C 90	Concrete Masonry Units, Loadbearing
ASTM D 2823	Asphalt Roof-Coating
FED SPEC J-C-30	Cable and Wire, Electrical (Power, Fixed Installation) (cancelled; replaced by AA-59544 Cable and Wire, Electrical (Power, Fixed Installation))
FED SPEC TT-E-487	Enamel, Floor and Deck
Master Painter's Institute	

END OF ITEM L-109

ITEM L-110 AIRPORT UNDERGROUND ELECTRICAL DUCT BANKS AND CONDUITS

DESCRIPTION

110-1.1 This item shall consist of underground electrical conduits and duct banks (single or multiple conduits encased in concrete) installed in accordance with this specification at the locations and in accordance with the dimensions, designs, and details shown on the plans. This item shall include furnishing and installing of all underground electrical duct banks and individual and multiple underground conduits. It shall also include all turfing trenching, backfilling, removal, and restoration of any paved or turfed areas; concrete encasement, mandreling, pulling lines, duct markers, plugging of conduits, and the testing of the installation as a completed system ready for installation of cables in accordance with the plans and specifications. This item shall also include furnishing and installing conduits and all incidentals for providing positive drainage of the system. Verification of existing ducts is incidental to the pay items provided in this specification.

EQUIPMENT AND MATERIALS

110-2.1 GENERAL.

a. All equipment and materials covered by referenced specifications shall be subject to acceptance through manufacturer's certification of compliance with the applicable specification when so requested by the Engineer.

b. Manufacturer's certifications shall not relieve the Contractor of the Contractor's responsibility to provide materials in accordance with these specifications and acceptable to the Engineer. Materials supplied and/or installed that do not materially comply with these specifications shall be removed, when directed by the Engineer and replaced with materials, which do comply with these specifications, at the sole cost of the Contractor.

c. All materials and equipment used to construct this item shall be submitted to the Engineer for approval prior to ordering the equipment. Submittals consisting of marked catalog sheets or shop drawings shall be provided. Submittal data shall be presented in a clear, precise and thorough manner. Original catalog sheets are preferred. Photocopies are acceptable provided they are as good a quality as the original. Clearly and boldly mark each copy to identify pertinent products or models applicable to this project. Indicate all optional equipment and delete non-pertinent data. Submittals for components of electrical equipment and systems shall identify the equipment for which they apply on each submittal sheet. Markings shall be boldly and clearly made with arrows or circles (highlighting is not acceptable). Contractor is solely responsible for delays in project accruing directly or indirectly from late submissions or resubmissions of submittals.

d. The data submitted shall be sufficient, in the opinion of the Engineer, to determine compliance with the plans and specifications. [The Contractor's submittals shall be neatly bound in a properly sized 3-ring binder, tabbed by specification section.] The Engineer reserves the right to reject any and all equipment, materials or procedures, which, in the Engineer's opinion, does not meet the system design and the standards and codes, specified herein.

e. All equipment and materials furnished and installed under this section shall be guaranteed against defects in materials and workmanship for a period of at least [twelve (12) months] from final acceptance by the Owner. The defective materials and/or equipment shall be repaired or replaced, at the Owner's discretion, with no additional cost to the Owner.

The engineer should specify the form in which submittals are to be received and number of copies.

The length of time for guarantee of materials and workmanship should be as stated in the contract between the owner and contractor and the contract special provisions.

110-2.2 STEEL CONDUIT. Rigid galvanized steel conduit and fittings shall be hot dipped galvanized inside and out and conform to the requirements of Underwriters Laboratories Standard 6, 514B, and 1242.

110-2.3 PLASTIC CONDUIT. Plastic conduit and fittings shall conform to the requirements of Fed. Spec. W--C-1094, Underwriters Laboratories Standards UL-651 and Article 347 of the current National Electrical Code shall be one of the following, as shown on the plans:

- a. Type I--Schedule 40 PVC suitable for underground use either direct-buried or encased in concrete.
- b. Type II--Schedule 40 PVC suitable for either above ground or underground use.

The type of adhesive shall be as recommended by the conduit/fitting manufacturer.

110-2.4 SPLIT CONDUIT. Split conduit shall be pre-manufactured for the intended purpose and shall be made of steel or plastic.

110-2.5 CONDUIT SPACERS. Conduit spacers shall be prefabricated interlocking units manufactured for the intended purpose. They shall be of double wall construction made of high grade, high density polyethylene complete with interlocking cap and base pads, They shall be designed to accept No. 4 reinforcing bars installed vertically.

110-2.6 CONCRETE. Concrete shall conform to Item P-610, Structural Portland Cement Concrete, using [] inch maximum size coarse aggregate with a minimum 28 day compressive strength of [] psi. Where reinforced duct banks are specified, reinforcing steel shall conform to ASTM A 615 Grade 60. Concrete and reinforcing steel are incidental to the respective pay item of which they are a component part.

Typically, the maximum size aggregate should be sized as 1 inch, however, Engineer may specify smaller to accommodate special situations where 1 inch aggregate may be too large

Item P-610 requires concrete to develop a 28 day compressive strength of 4,000 psi. Engineer to determine the strength of concrete appropriate for the project and insert in paragraph 110-2.6.

110-2.7 FLOWABLE BACKFILL. Flowable material used to back fill conduit and duct bank trenches shall conform to the requirements of Item P-153 "Controlled Low Strength Material".

110-2.8 DETECTABLE WARNING TAPE Plastic, detectable, color as noted magnetic tape shall be polyethylene film with a metallized foil core and shall be 4-6 inches (75-150 MM) wide. Detectable tape is incidental to the respective bid item.

Specify color and legend.

CONSTRUCTION METHODS

110-3.1 GENERAL. The Contractor shall install underground duct banks and conduits at the approximate locations indicated on the plans. The Engineer shall indicate specific locations as the work progresses, if required to differ from the plans. Duct banks and conduits shall be of the size, material, and type indicated on the plans or specifications. Where no size is indicated on the plans or in the specifications, conduits shall be not less than 2 inches (50 mm) inside diameter or comply with the National Electrical Code based on cable to be installed, whichever is larger. All duct bank and conduit lines shall be laid so as to grade toward access points and duct or conduit ends for drainage. Unless shown otherwise on the plans, grades shall be at least 3 inches (75 mm) per 100 feet (30 m). On runs where it is not practicable to maintain the grade all one way, the duct bank and conduit lines shall be graded from the center in both directions toward access points or conduit ends, with a drain into the storm drainage system. Pockets or traps where moisture may accumulate shall be avoided. No duct bank or underground conduit shall be less than 18 inches below finished grade. Where under pavement, the top of the duct bank shall not be less than 18 inches below the subgrade.

For a closed conduit/duct bank system, the system should be designed to be connected to, and thus drain into, the airfield storm drainage system

Engineer needs to be careful to define the term "subgrade" as it relates to pavement construction. In areas of pavement construction requiring the placement of embankment, or in areas requiring over-excavation to remove unsuitable material, the desired location of the top of the duct bank needs to be clearly identified. In areas susceptible to frost, the top of the duct bank should be placed at or below the level of the frost line.

The Contractor shall mandrel each individual conduit whether the conduit is direct-buried or part of a duct bank. An iron-shod mandrel, not more than 1/4-inch (6 mm) smaller than the bore of the conduit shall be pulled or pushed through each conduit. The mandrel shall have a leather or rubber gasket slightly larger than the conduit hole.

The Contractor shall swab out all conduits/ducts and clean base can, manhole, pull boxes, etc. interiors IMMEDIATELY prior to pulling cable. Once cleaned and swabbed the base cans, manhole, pull boxes, etc. and all accessible points of entry to the duct/conduit system shall be kept closed except when installing cables. Cleaning of ducts, base cans, manholes, etc. is incidental to the pay item of the item being cleaned. All raceway systems left open, after initial cleaning, for any reason shall be recleaned at the Contractor's expense. All accessible points shall be kept closed when not installing cable. The Contractor shall verify existing ducts proposed for use in this project as clear and open. The Contractor shall notify the Engineer of any blockage in the existing ducts.

For pulling the permanent wiring, each individual conduit, whether the conduit is direct-buried or part of a duct bank, shall be provided with a 200 pound test polypropylene pull rope. The ends shall be secured and sufficient length shall be left in access points to prevent it from slipping back into the conduit. Where spare conduits are installed, as indicated on the plans, the open ends shall be plugged with removable tapered plugs, designed for this purpose.

All conduits shall be securely fastened in place during construction and shall be plugged to prevent contaminate from entering the conduits. Any conduit section having a defective joint shall not be installed. Ducts shall be supported and spaced apart using approved spacers at intervals not to exceed 5 feet.

Unless otherwise shown on the plans, concrete encased duct banks shall be utilized when crossing under pavements expected to carry aircraft loads.

Where turf is well established and the sod can be removed, it shall be carefully stripped and properly stored.

Trenches for conduits and duct banks may be excavated manually or with mechanical trenching equipment unless in pavement, in which case they shall be excavated with mechanical trenching equipment. Walls of trenches shall be essentially vertical so that a minimum of shoulder surface is disturbed. Blades of graders shall not be used to excavate the trench.

When rock is encountered, the rock shall be removed to a depth of at least 3 inches below the required conduit or duct bank depth and it shall be replaced with bedding material of earth or sand containing no mineral aggregate particles that would be retained on a 1/4-inch sieve. Flowable backfill may alternatively be used. The Contractor shall ascertain the type of soil or rock to be excavated before bidding. All such rock removal shall be performed and paid for under Item P-152.

Underground electrical warning (caution) tape shall be installed in the trench above all underground duct banks and conduits in unpaved areas. Contractor shall submit a sample of the proposed warning tape for approval by the Engineer. If not shown on the plans, the warning tape shall be located six inches above the duct/conduit or the counterpoise wire if present.

Joints in plastic conduit shall be prepared in accordance with the manufacturer's recommendations for the particular type of conduit. Plastic conduit shall be prepared by application of a plastic cleaner and brushing a plastic solvent on the outside of the conduit ends and on the inside of the couplings. The conduit fitting shall then be slipped together with a quick one-quarter turn twist to set the joint tightly. Where more than one conduit is placed in a single trench, or in duct banks, joints in the conduit shall be staggered a minimum of 2 feet.

Changes in direction of runs exceeding 10 degrees, either vertical or horizontal, shall be accomplished using manufactured sweep bends.

Whether or not specifically indicated on the drawings, where the soil encountered at established duct bank grade is an unsuitable material, as determined by the Engineer, the unsuitable material shall be removed in accordance with Item P-152 and replaced with suitable material. Alternatively, additional duct bank supports that are adequate and stable shall be installed, as approved by the Engineer.

All excavation shall be unclassified and shall be considered incidental to the respective L-110 pay item of which it is a component part. Dewatering necessary for duct installation, erosion and turbidity control, in accordance with Federal, State, and Local requirements is incidental to its respective pay item as a part of Item L-110. The cost of all excavation regardless of type of material encountered, shall be included in the unit price bid for the L-110 Item.

Unless otherwise specified, excavated materials that are deemed by the Engineer to be unsuitable for use in backfill or embankments shall be removed and disposed of off site.

Any excess excavation shall be filled with suitable material approved by the Engineer and compacted in accordance with item P-152.

It is the Contractor's responsibility to locate existing utilities within the work area prior to excavation. Where existing active cables cross proposed installations, the Contractor shall insure that these cable(s) are adequately protected. Where crossings are unavoidable, no splices will be allowed in the existing cables, except as specified on the plans. Installation of new cable where such crossings must occur shall proceed as follows:

(1) Existing cables shall be located manually. Unearthed cables shall be inspected to assure absolutely no damage has occurred

(2) Trenching, etc., in cable areas shall then proceed with approval of the Engineer, with care taken to minimize possible damage or disruption of existing cable, including careful backfilling in area of cable.

In the event that any previously identified cable is damaged during the course of construction, the Contractor shall be responsible for the complete repair.

110-3.2 DUCT BANKS. Unless otherwise shown in the plans, duct banks shall be installed so that the top of the concrete envelope is not less than 18 inches (45 cm) below the bottom of the base or stabilized base course layers where installed under runways, taxiways, aprons, or other paved areas, and not less than 18 inches (45 cm) below finished grade where installed in unpaved areas.

Unless otherwise shown on the plans, duct banks under paved areas shall extend at least 3 feet (90 cm) beyond the edges of the pavement or 3 feet (90 cm) beyond any underdrains that may be installed alongside the paved area. Trenches for duct banks shall be opened the complete length before concrete is placed so that if any obstructions are encountered, proper provisions can be made to avoid them. Unless otherwise shown on the plans, all duct banks shall be placed on a layer of concrete not less than 3 inches (75 mm) thick prior to its initial set. Where two or more conduits in the duct bank are intended to carry conductors of equivalent voltage insulation rating, the Contractor shall space the conduits not less than 1-1/2 inches (37 mm) apart (measured from outside wall to outside wall). Where two or more conduits in the duct bank are intended to carry conductors of differing voltage insulation rating, the Contractor shall space the conduits not less than 3 inches apart (measured from outside wall to outside wall). All such multiple conduits shall be placed using conduit spacers applicable to the type of conduit. As the conduit laying progresses, concrete shall be placed around and on top of the conduits not less than 3 inches (75 mm) thick unless otherwise shown on the plans. End bells or couplings shall be installed flush with the concrete encasement at access points.

Conduits forming the duct bank shall be installed using conduit spacers. No. 4 reinforcing bars shall be driven vertically into the soil a minimum of 6 inches to anchor the assembly into the earth prior to placing the concrete encasement. For this purpose, the spacers shall be fastened down with locking collars attached to the vertical bars. Spacers shall be installed at 5 -foot intervals. Spacers shall be in the proper sizes and configurations to fit the conduits. Locking collars and spacers shall be submitted to the Engineer for review prior to use.

When specified, the Contractor shall reinforce the bottom side and top of encasements with steel reinforcing mesh or fabric or other approved metal reinforcement. When directed, the Contractor shall supply additional supports where the ground is soft and boggy, where ducts cross under roadways, or where shown on the plans. Under such conditions, the complete duct structure shall be supported on reinforced concrete footings, piers, or piles located at approximately 5 foot (150 cm) intervals.

All pavement surfaces that are to have ducts installed therein shall be neatly saw cut to form a vertical face. All excavation shall be included in the contract with price for the duct.

Install a plastic, detectable, color as noted, 4-6 inch (75-150mm) wide tape 8 inches (200mm) minimum below grade above all underground conduit or duct lines not installed under pavement.

When existing cables are to be placed in split duct, encased in concrete, the cable shall be carefully located and exposed by hand tools. Prior to being placed in duct, the Engineer shall be notified so that he may inspect the cable and determine that it is in good condition. Where required, split duct shall be installed as shown on the drawings or as required by the Engineer.

110-3.3 CONDUITS WITHOUT CONCRETE ENCASEMENT. Trenches for single-conduit lines shall be not less than 6 inches (150 mm) nor more than 12 inches (300 mm) wide, and the trench for 2 or more conduits installed

at the same level shall be proportionately wider. Trench bottoms for conduits without concrete encasement shall be made to conform accurately to grade so as to provide uniform support for the conduit along its entire length.

Unless otherwise shown on the plans, a layer of fine earth material, at least 4 inches (100 mm) thick (loose measurement) shall be placed in the bottom of the trench as bedding for the conduit. The bedding material shall consist of soft dirt, sand or other fine fill, and it shall contain no particles that would be retained on a 1/4-inch (6 mm) sieve. The bedding material shall be tamped until firm. Flowable backfill may alternatively used.

Unless otherwise shown on plans, conduits shall be installed so that the tops of all conduits are at least 18 inches (45 cm) below the finished grade.

When two or more individual conduits intended to carry conductors of equivalent voltage insulation rating are installed in the same trench without concrete encasement, they shall be spaced not less than 2 inches (50 mm) apart (measured from outside wall to outside wall) in a horizontal direction and not less than 6 inches (150 mm) apart in a vertical direction. Where two or more individual conduits intended to carry conductors of differing voltage insulation rating are installed in the same trench without concrete encasement, they shall spaced not less than 3 inches (75 mm) apart (measured from outside wall to outside wall) in a horizontal direction and not less than 6 inches (150 mm) apart in a vertical direction.

Trenches shall be opened the complete length between normal termination points before conduit is installed so that if any unforeseen obstructions are encountered, proper provisions can be made to avoid them.

Conduits shall be installed using conduit spacers. No. 4 reinforcing bars shall be driven vertically into the soil a minimum of 6 inches to anchor the assembly into the earth while backfilling. For this purpose, the spacers shall be fastened down with locking collars attached to the vertical bars. Spacers shall be installed at 5-foot intervals. Spacers shall be in the proper sizes and configurations to fit the conduits. Locking collars and spacers shall be submitted to the Engineer for review prior to use.

110-3.4 MARKERS. The location of each end and of each change of direction of conduits and duct banks shall be marked by a concrete slab marker 2 feet (60 cm) square and 4-6 inches (100-150 mm) thick extending approximately 1 inch (25 mm) above the surface. The markers shall also be located directly above the ends of all conduits or duct banks, except where they terminate in a junction/access structure or building.

The Contractor shall impress the word "DUCT" or "CONDUIT" on each marker slab. The Contractor shall also impress on the slab the number and size of conduits beneath the marker along with all other necessary information as determined by the Engineer. The letters shall be 4 inches (100 mm) high and 3 inches (75 mm) wide with width of stroke 1/2-inch (12 mm) and 1/4-inch (6 mm) deep or as large as the available space permits. Furnishing and installation of duct markers is incidental to the respective duct pay item.

110-3.5 BACKFILLING FOR CONDUITS. For conduits, 8 inches (200 mm) of sand, soft earth, or other fine fill (loose measurement) shall be placed around the conduits ducts and carefully tamped around and over them with hand tampers. The remaining trench shall then be backfilled and compacted in accordance with Item P-152 "Excavation and Embankment" except that material used for back fill shall be select material not larger than 4 inches in diameter.

Flowable backfill may alternatively be used

Trenches shall not contain pools of water during back, filling operations.

The trench shall be completely backfilled and tamped level with the adjacent surface: except that, where sod is to be placed over the trench, the backfilling shall be stopped at a depth equal to the thickness of the sod to be used, with proper allowance for settlement.

Any excess excavated material shall be removed and disposed of in accordance with instructions issued by the Engineer.

110-3.6 BACKFILLING FOR DUCT BANKS. After the concrete has cured, the remaining trench shall be backfilled and compacted in accordance with Item P-152 "Excavation and Embankment" except that the material used for backfill shall be select material not larger than 4 inches in diameter. In addition to the requirements of P-152, where duct banks are installed under pavement, one moisture/density test per lift shall be made for each 250 linear feet of duct bank or one work period's construction, whichever is less.

Flowable backfill may alternatively be used

Trenches shall not contain pools of water during backfilling operations.

The trench shall be completely backfilled and tamped level with the adjacent surface: except that, where sod is to be placed over the trench, the backfilling shall be stopped at a depth equal to the thickness of the sod to be used, with proper allowance for settlement.

Any excess excavated material shall be removed and disposed of in accordance with instructions issued by the Engineer.

110-3.7 RESTORATION. Where sod has been removed, it shall be replaced as soon as possible after the backfilling is completed. All areas disturbed by the work shall be restored to its original condition. The restoration shall include [sodding] [topsoiling] [fertilizing] [liming] [seeding] [sprigging] [mulching] shown on the plans. The Contractor shall be held responsible for maintaining all disturbed surfaces and replacements until final acceptance. All restoration shall be considered incidental to the respective L-110 pay item.

Engineer to specify the correct method of turfing and include in the construction documents the appropriate FAA turfing specification for restoration related to the installation of such duct banks and conduits.

METHOD OF MEASUREMENT

110-4.1 Underground conduits and duct banks shall be measured by the linear feet (meter) of conduits and duct banks installed, including encasement, locator tape, trenching and backfill with designated, resolution, and for drain lines, the termination at the drainage structure, all measured in place, completed, and accepted. Separate measurement shall be made for the various types and sizes.

BASIS OF PAYMENT

110-5.1 Payment will be made at the contract unit price per linear foot for each type and size of conduit and duct bank completed and accepted, including trench and backfill with the designated material, and, for drain lines, the termination at the drainage structure. This price shall be full compensation for furnishing all materials and for all preparation, assembly, and installation of these materials, and for all labor, equipment, tools, and incidentals necessary to complete this item in accordance with the provisions and intent of the plans and specifications.

Payment will be made under:

- Item L-110-5.1 Electrical Duct Bank, [# and Size] —per linear foot (meter)
- Item L-110-5.2 Electrical Conduit [# and size]—per linear foot (meter)

MATERIAL REQUIREMENTS

Fed.Spec.W-C-1094 Conduit and Conduit Fittings; Plastic, Rigid (cancelled; replaced by UL 514 Boxes, Nonmetallic Outlet, Flush Device Boxes, & Covers,

and UL 651 Standard for Conduit & Hope Conduit, Type EB & A Rigid PVC)

Underwriters Laboratories
Standard 6

Rigid Metal Conduit

Underwriters Laboratories
Standard 514B

Fittings for Cable and Conduit

Underwriters Laboratories
Standard 1242

Intermediate Metal Conduit

Underwriters Laboratories
Standard 651

Schedule 40 and 80 Rigid PVC Conduit (for Direct Burial)

Underwriters Laboratories
Standard 651A

Type EB and A Rigid PVC Conduit and HDPE Conduit (for concrete encasement)

END OF ITEM L-110

ITEM L-115 ELECTRICAL MANHOLES AND JUNCTION STRUCTURES

DESCRIPTION

115-1.1 This item shall consist of electrical manholes and junction structures (handholes, pullboxes, junction cans, etc.) installed in accordance with this specification, at the indicated locations and conforming to the lines, grades and dimensions shown on the plans or as required by the Engineer. This item shall include the installation of each electrical manhole and/or junction structures with all associated excavation, backfilling, sheeting and bracing, concrete, reinforcing steel, ladders, appurtenances, testing, dewatering and restoration of surfaces to the satisfaction of the Engineer.

EQUIPMENT AND MATERIALS

115-2.1 GENERAL.

a. All equipment and materials covered by referenced specifications shall be subject to acceptance through manufacturer's certification of compliance with the applicable specification when so requested by the Engineer.

b. Manufacturer's certifications shall not relieve the Contractor of the Contractor's responsibility to provide materials in accordance with these specifications and acceptable to the Engineer. Materials supplied and/or installed that do not materially comply with these specifications shall be removed, when directed by the Engineer and replaced with materials, which do comply with these specifications, at the sole cost of the Contractor.

c. All materials and equipment used to construct this item shall be submitted to the Engineer for approval prior to ordering the equipment. Submittals consisting of marked catalog sheets or shop drawings shall be provided. Submittal data shall be presented in a clear, precise and thorough manner. Original catalog sheets are preferred. Photocopies are acceptable provided they are as good a quality as the original. Clearly and boldly mark each copy to identify pertinent products or models applicable to this project. Indicate all optional equipment and delete non-pertinent data. Submittals for components of electrical equipment and systems shall identify the equipment for which they apply on each submittal sheet. Markings shall be boldly and clearly made with arrows or circles (highlighting is not acceptable). Contractor is solely responsible for delays in project accruing directly or indirectly from late submissions or resubmissions of submittals.

d. The data submitted shall be sufficient, in the opinion of the Engineer, to determine compliance with the plans and specifications. [The Contractor's submittals shall be neatly bound in a properly sized 3-ring binder, tabbed by specification section.] The Engineer reserves the right to reject any and all equipment, materials or procedures, which, in the Engineer's opinion, does not meet the system design and the standards and codes, specified herein.

e. All equipment and materials furnished and installed under this section shall be guaranteed against defects in materials and workmanship for a period of at least [twelve (12) months] from final acceptance by the Owner. The defective materials and/or equipment shall be repaired or replaced, at the Owner's discretion, with no additional cost to the Owner.

The engineer should specify the form in which submittals are to be received and number of copies.

The length of time for guarantee of materials and workmanship should be as stated in the contract between the owner and contractor and the contract special provisions.

115-2.2 CONCRETE STRUCTURES. Cast-in-place concrete structures shall conform to the details and dimensions shown on the plans.

Provide precast concrete structures where shown on the plans. Precast concrete structures shall be an approved standard design of the manufacturer. Precast units shall have mortar or bitumastic sealer placed between all joints to make them watertight. The structure shall be designed to withstand [ZZZ lb aircraft] loads, unless otherwise shown on the plans. Openings or knockouts shall be provided in the structure as detailed on the plans.

Engineer to specify load characteristics for precast concrete structure based on design aircraft. It is the intent of this specification for the design engineer to design a cast-in-place structure that is detailed on the plans that will be suitable for the design loads and subgrade soil characteristics. If the Contractor proposes to use a substitute structure design, design calculations shall be submitted according to the procedure in the General Provisions.

Threaded inserts and pulling eyes shall be cast in as shown.

If the Contractor chooses to propose a different structural design, signed and sealed shop drawings, design calculations, and other information requested by the Engineer shall be submitted by the Contractor to allow for a full evaluation by the Engineer. The Engineer shall review in accordance with the process defined in the General Provisions.

115-2.3 JUNCTION CANS. Junction Cans shall be L-867 Class 1 (non-load bearing) or L-868 Class 1 (load bearing) cans encased in concrete. The cans shall have a galvanized steel blank cover, gasket, and stainless steel hardware. Covers shall be 3/8" thickness for L-867 and 3/4" thickness for L-868.

115-2.4 MORTAR. The mortar shall be composed of one part of portland cement and two parts of mortar sand, by volume. The portland cement shall conform to the requirements of ASTM C 150, Type I. The sand shall conform to the requirements of ASTM C 144. Hydrated lime may be added to the mixture of sand and cement in an amount not to exceed 15 percent of the weight of cement used. The hydrated lime shall meet the requirements of ASTM C 6. The water shall be clean and free of deleterious amounts of acid, alkalies or organic material. If the water is of questionable quality, it shall be tested in accordance with AASHTO T-26.

115-2.5 CONCRETE. All concrete used in structures shall conform to the requirements of Item P-610, Structural Portland Cement Concrete.

115-2.6 FRAMES AND COVERS. The frames shall conform to one of the following requirements:

- a. Gray iron castings shall meet the requirements of ASTM A 48.
- b. Malleable iron castings shall meet the requirements of ASTM A 47.
- c. Steel castings shall meet the requirements of ASTM A 27.
- d. Structural steel for frames shall conform to the requirements of ASTM A-283, Grade D.
- e. Ductile iron castings shall conform to the requirements of ASTM A 536.
- f. Austempered ductile iron castings shall conform to the requirements of ASTM A 897.

All castings specified shall withstand a maximum tire pressure of [ZZZ psi] and maximum load of [ZZZ pounds].

Engineer to specify load characteristics for castings based on design aircraft.

All castings or structural steel units shall conform to the dimensions shown on the plans and shall be designed to support the loadings specified.

Each frame and cover unit shall be provided with fastening members to prevent it from being dislodged by traffic, but which will allow easy removal for access to the structure.

All castings shall be thoroughly cleaned. After fabrication, structural steel units shall be galvanized to meet the requirements of ASTM A 123.

Each cover shall have the word "ELECTRIC" or other approved designation cast on it. Each frame and cover shall be as shown on the plans or approved equivalent. No cable notches are required.

115-2.7 LADDERS. Ladders, if specified, shall be galvanized steel or as shown on the plans.

115-2.8 REINFORCING STEEL. All reinforcing steel shall be deformed bars of new billet steel meeting the requirements of ASTM A 615, Grade 60.

115-2.9 BEDDING/SPECIAL BACKFILL. Bedding or special backfill shall be as shown on the plans.

115-2.10 FLOWABLE BACKFILL. Flowable material used to backfill shall conform to the requirements of Item P-153 "Controlled Low Strength Material".

115-2.11 CABLE TRAYS. Cable trays shall be of galvanized steel, plastic, or aluminum. Cable trays shall be located as shown on the plans.

Engineer to specify cable tray based on type of structure and user preference.

115-2.12 PLASTIC CONDUIT. Plastic conduit shall comply with Item L-110 - Airport Underground Electrical Duct Banks and Conduits.

115-2.13 CONDUIT TERMINATORS. Conduit terminators shall be pre-manufactured for the specific purpose and sized as required or as shown on the plans.

115-2.14 PULLING-IN IRONS. Pulling-in irons shall be manufactured with 7/8-inch (22mm) diameter hot-dipped galvanized steel or stress-relieved carbon steel roping designed for concrete applications (7 strand, 1/2-inch diameter with an ultimate strength of 270,000 psi). Where stress-relieved carbon steel roping is used, a rustproof sleeve shall be installed at the hooking point and all exposed surfaces shall be encapsulated with a polyester coating to prevent corrosion.

115-2.15 GROUND RODS. Ground rods shall be one piece, [solid stainless steel] [copper] or [copper clad]. The ground rods shall be of the length and diameter specified on the plans, but in no case shall they be less than 8-feet (240 cm) long nor less than 5/8 inch (15 mm) in diameter.

Engineer should evaluate the soils in the vicinity of proposed counterpoise and ground rod installations and determine if soil conditions would adversely affect copper. Engineer shall specify the type of ground rod and counterpoise wire to be installed in consideration of the soil conditions.

CONSTRUCTION METHODS

115-3.1 UNCLASSIFIED EXCAVATION. It is the Contractor's responsibility to locate existing utilities within the work area prior to excavation. Damage to utility lines, through lack of care in excavating, shall be repaired or replaced to the satisfaction of the Engineer without additional expense to the Owner.

The Contractor shall perform excavation for structures and structure footings to the lines and grades or elevations shown on the plans or as staked by the Engineer. The excavation shall be of sufficient size to permit the placing of the full width and length of the structure or structure footings shown.

All excavation shall be unclassified and shall be considered incidental to the respective L-115 pay item of which it is a component part. Dewatering necessary for L-115 structure installation, erosion and turbidity control, in accordance with Federal, State, and Local requirements is incidental to its respective pay item as a part of Item L-115. The cost of all excavation regardless of type of material encountered, shall be included in the unit price bid for the L-115 Item.

Boulders, logs and all other objectionable material encountered in excavation shall be removed. All rock and other hard foundation material shall be cleaned of all loose material and cut to a firm surface either level, stepped or serrated, as directed by the Engineer. All seams, crevices, disintegrated rock and thin strata shall be removed. When concrete is to rest on a surface other than rock, special care shall be taken not to disturb the bottom of the excavation. Excavation to final grade shall not be made until just before the concrete or reinforcing is to be placed.

The Contractor shall provide all bracing, sheeting and shoring necessary to implement and protect the excavation and the structure as required for safety or conformance to governing laws. The cost of bracing, sheeting and shoring shall be included in the unit price bid for the structure.

Unless otherwise provided, bracing, sheeting and shoring involved in the construction of this item shall be removed by the Contractor after the completion of the structure. Removal shall be effected in a manner that will not disturb or mar finished masonry. The cost of removal shall be included in the unit price bid for the structure.

After each excavation is completed, the Contractor shall notify the Engineer. Structures shall be placed after the Engineer has approved the depth of the excavation and the suitability of the foundation material.

Prior to installation the Contractor shall provide a minimum of 6 inches of sand or a material approved by the Engineer as a suitable base to receive the structure. The base material shall be compacted and graded level and at proper elevation to receive the structure in proper relation to the conduit grade or ground cover requirements, as indicated on the plans.

115-3.2 CONCRETE STRUCTURES. Concrete structures shall be built on prepared foundations conforming to the dimensions and form indicated on the plans. The concrete and construction methods shall conform to the requirements specified in Item P-610. Any reinforcement required shall be placed as indicated on the plans and shall be approved by the Engineer before the concrete is placed.

115-3.3 PRECAST UNIT INSTALLATIONS. Precast units shall be installed plumb and true. Joints shall be made watertight by use of sealant at each tongue-and-groove joint and at roof of manhole. Excess sealant shall be removed and severe surface projections on exterior of neck shall be removed.

115-3.4 PLACEMENT AND TREATMENT OF CASTINGS, FRAMES AND FITTINGS. All castings, frames and fittings shall be placed in the positions indicated on the Plans or as directed by the Engineer and shall be set true to line and to correct elevation. If frames or fittings are to be set in concrete or cement mortar, all anchors or bolts shall be in place and position before the concrete or mortar is placed. The unit shall not be disturbed until the mortar or concrete has set.

Field connections shall be made with bolts, unless indicated otherwise. Welding will not be permitted unless shown otherwise on the approved shop drawings and written permission is granted by the casting manufacturer. Erection equipment shall be suitable and safe for the workman. Errors in shop fabrication or deformation resulting from handling and transportation that prevent the proper assembly and fitting of parts shall be reported immediately to the Engineer and approval of the method of correction shall be obtained. Approved corrections shall be made at Contractor's expense.

Anchor bolts and anchors shall be properly located and built into connection work. Bolts and anchors shall be preset by the use of templates or such other methods as may be required to locate the anchors and anchor bolts accurately.

Pulling-in irons shall be located opposite all conduit entrances into structures to provide a strong, convenient attachment for pulling-in blocks when installing cables. Pulling-in irons shall be set directly into the concrete walls of the structure.

115-3.5 INSTALLATION OF LADDERS. Ladders shall be installed such that they may be removed if necessary. Mounting brackets shall be supplied top and bottom and shall be cast in place during fabrication of the structure or drilled and grouted in place after erection of the structure.

115-3.6 REMOVAL OF SHEETING AND BRACING. In general, all sheeting and bracing used to support the sides of trenches or other open excavations shall be withdrawn as the trenches or other open excavations are being refilled. That portion of the sheeting extending below the top of a structure shall be withdrawn, unless otherwise directed, before more than six (6) inches of material is placed above the top of the structure and before any bracing is removed. Voids left by the sheeting shall be carefully refilled with selected material and rammed tight with tools especially adapted for the purpose or otherwise as may be approved.

The Engineer may order the Contractor to delay the removal of sheeting and bracing if, in his judgment, the installed work has not attained the necessary strength to permit placing of backfill.

115-3.7 BACKFILLING. After a structure has been completed, the area around it shall be backfilled in horizontal layers not to exceed 6 inches in thickness measured after compaction to the density requirements in Item P-152. Each layer shall be deposited all around the structure to approximately the same elevation. The top of the fill shall meet the elevation shown on the plans or as directed by the Engineer.

Backfill shall not be placed against any structure until permission is given by the Engineer. In the case of concrete, such permission shall not be given until tests made by the laboratory under supervision of the Engineer establish that the concrete has attained sufficient strength to provide a factor of safety against damage or strain in withstanding any pressure created by the backfill or the methods used in placing it.

Where required, the Engineer may direct the Contractor to add, at his own expense, sufficient water during compaction to assure a complete consolidation of the backfill. The Contractor shall be responsible for all damage or injury done to conduits, duct banks, structures, property or persons due to improper placing or compacting of backfill.

115-3.8 CONNECTION OF DUCT BANKS. To relieve stress of joint between concrete-encased duct banks and structure walls, reinforcement rods shall be placed in the structure wall and shall be formed and tied into duct bank reinforcement at the time the duct bank is installed.

115-3.9 GROUNDING. A ground rod shall be installed in the floor of all concrete structures so that the top of rod extends 6 inches (154 mm) above the floor. The ground rod shall be installed within 1 foot of a corner of the

concrete structure. Ground rods shall be installed prior to casting the bottom slab. Where the soil condition does not permit driving the ground rod into the earth without damage to the ground rod, the Contractor shall drill a 4-inch diameter hole into the earth to receive the ground rod. The hole around the ground rod shall be filled throughout its length, below slab, with Portland cement grout. Ground rods shall be installed in precast bottom slab of structures by drilling a hole through bottom slab and installing the ground rod. Bottom slab penetration shall be sealed watertight with Portland cement grout around the ground rod.

A grounding bus of 4/0 bare stranded copper shall be exothermically bonded to the ground rod and loop the concrete structure walls. The ground bus shall be a minimum of 1 foot above the floor of the structure and separate from other cables. No. 2 AWG bare copper pigtailed shall bond the grounding bus to all cable trays and other metal hardware within the concrete structure. Connections to the grounding bus shall be exothermic. Hardware connections may be mechanical, using a lug designed for that purpose.

115-3.10 CLEANUP AND REPAIR. After erection of all galvanized items, damaged areas shall be repaired by applying a liquid cold-galvanizing compound conforming MIL-P-21035. Surfaces shall be prepared and compound applied in accordance with manufacturer's recommendations.

Prior to acceptance, the entire structure shall be cleaned of all dirt and debris.

115-3.11 RESTORATION. After the backfill is completed, the Contractor shall dispose of all surplus material, dirt and rubbish from the site. The Contractor shall restore all disturbed areas equivalent to or better than their original condition. All sodding, grading and restoration shall be considered incidental to the respective L-115 pay item.

The Contractor shall grade around structures as required to provide positive drainage away from the structure.

Areas with special surface treatment, such as roads, sidewalks, or other paved areas shall have backfill compacted to match surrounding areas, and surfaces shall be repaired using materials comparable to original materials.

After all work is completed, the Contractor shall remove all tools and other equipment, leaving the entire site free, clear and in good condition.

115-3.12 INSPECTION. Prior to final approval, the electrical structures shall be thoroughly inspected for conformance with the plans and this specification. Any indication of defects in materials or workmanship shall be further investigated and corrected. The earth resistance to ground of each ground rod shall not exceed 25 ohms. Each ground rod shall be tested utilizing the fall-of-potential ground impedance test as described by ANSI IEEE Standard 81. This test shall be performed prior to establishing connections to other ground electrodes.

115-3.13 Manhole Elevation Adjustments. The Contractor shall adjust the tops of existing manholes in areas designated in the Contract Documents to the new elevations shown. The Contractor shall be responsible for determining the exact height adjustment required to raise the top of each manhole to the new elevations. The existing top elevation of each manhole to be adjusted shall be determined in the field and subtracted/added from the proposed top elevation.

The Contractor shall remove/extend the existing top section or ring and cover on the manhole structure or manhole access. The Contractor shall then install precast concrete sections or grade rings of the required dimensions to adjust the manhole top to the new proposed elevation or shall cut the existing manhole walls to shorten the existing structure, as required by final grades. Finally, the Contractor shall reinstall the manhole top section or ring and cover on top and check the new top elevation.

The Contractor shall construct a concrete slab around the top of adjusted structures located in graded areas that are not to be paved. The concrete slab shall conform to the dimensions shown on the plans.

The engineer should require the precast sections be designed as specified in paragraph 115-2.2.

115-3.14 Duct Extension to Existing Ducts. Where existing concrete encased ducts are to be extended, the duct extension shall be concrete encased plastic conduit. The fittings to connect the ducts together shall be standard manufactured connectors designed and approved for the purpose. The duct extensions shall be installed according to the concrete encased duct detail and as shown on the plans.

METHOD OF MEASUREMENT

115-4.1 Electrical manholes and junction structures shall be measured by each unit completed in place and accepted. The following additional items are specifically included in each unit.

- All Required Excavation, Dewatering
- Sheeting and Bracing
- All Required Backfilling with On-Site Materials
- Restoration of All Surfaces and Finished Grading, Sodding
- All Required Connections
- Dewatering If Required
- Temporary Cables and Connections
- Ground Rod Testing

115-4.2 Manhole elevation adjustments shall be measured by the completed unit installed, in place, completed, and accepted. Separate measurement shall not be made for the various types and sizes.

BASIS OF PAYMENT

115-5.1 The accepted quantity of electrical manholes and junction structures will be paid for at the Contract unit price per each, complete and in place. This price shall be full compensation for furnishing all materials and for all preparation, excavation, backfilling and placing of the materials, furnishing and installation of appurtenances and connections to duct banks and other structures as may be required to complete the item as shown on the plans and for all labor, equipment, tools and incidentals necessary to complete the structure.

115-5.2 Payment shall be made at the contract unit price for manhole elevation adjustments. This price shall be full compensation for furnishing all materials and for all preparation, assembly, and installation of these materials, and for all labor, equipment, tools, and incidentals necessary, including but not limited to, spacers, concrete, rebar, dewatering, excavating, backfill, topsoil, sodding and pavement restoration, where required, to complete this item as shown in the plans and to the satisfaction of the Engineer.

Payment will be made under:

- | | |
|----------------|---|
| Item L-115-5.1 | Electrical Manhole [size and type] -Per Each |
| Item L-115-5.2 | Electrical Junction Structure [size and type] -Per Each |

Item L-115-5.3 Existing Electrical Manhole/Junction Structure Elevation Adjustment [size and type] –Per Each

MATERIAL REQUIREMENTS

ANSI/IEEE Std 81 IEEE Guide for Measuring Earth Resistivity, Ground Impedance, and Earth Surface Potentials of a Ground System

AC 150/5345-7 Specification for L-824 Underground Electrical Cable for Airport Lighting Circuits

AC 150/5345-26 Specification for L-823 Plug and Receptacle Cable Connectors

FED SPEC J-C-30 Cable and Wire, Electrical Power, Fixed Installation (cancelled; replaced by AA-59544 Cable and Wire, Electrical (Power, Fixed Installation))

ASTM B.3 Soft or Annealed Copper Wire

ASTM B.8 Concentric-Lay-Stranded Copper Conductor, Hard, Medium-Hard, or Soft

END OF ITEM L-115

ITEM L-119 AIRPORT OBSTRUCTION LIGHTS

DESCRIPTION

119-1.1 This item shall consist of furnishing and installing obstruction lights in accordance with these specifications. Included in this item shall be the furnishing and installing of wood poles, steel or iron pipes, or other supports as required in the plans or specifications.

This item shall also include all wire and cable connections, the furnishing and installing of all necessary conduits and fittings, insulators, pole steps, pole cross arms, and the painting of poles and pipes. In addition, it includes the furnishing and installing of all lamps and, if required, the furnishing and installing of insulating transformers, the servicing and testing of the installation and all incidentals necessary to place the lights in operation as completed units to the satisfaction of the Engineer.

EQUIPMENT AND MATERIALS

119-2.1 GENERAL.

a. Airport lighting equipment and materials covered by Federal Aviation Administration (FAA) specifications shall be certified and listed under Advisory Circular (AC) 150/5345-53, Airport Lighting Equipment Certification Program.

b. All other equipment and materials covered by other reference specifications shall be subject to acceptance through manufacturer's certification of compliance with the applicable specification when requested by the Engineer.

c. Manufacturer's certifications shall not relieve the Contractor of the Contractor's responsibility to provide materials in accordance with these specifications and acceptable to the Engineer. Materials supplied and/or installed that do not materially comply with these specifications shall be removed, when directed by the Engineer and replaced with materials, which do comply with these specifications, at the sole cost of the Contractor.

d. All materials and equipment used to construct this item shall be submitted to the Engineer for approval prior to ordering the equipment. Submittals consisting of marked catalog sheets or shop drawings shall be provided. Submittal data shall be presented in a clear, precise and thorough manner. Original catalog sheets are preferred. Photocopies are acceptable provided they are as good a quality as the original. Clearly and boldly mark each copy to identify pertinent products or models applicable to this project. Indicate all optional equipment and delete non-pertinent data. Submittals for components of electrical equipment and systems shall identify the equipment for which they apply on each submittal sheet. Markings shall be boldly and clearly made with arrows or circles (highlighting is not acceptable). Contractor is solely responsible for delays in project accruing directly or indirectly from late submissions or resubmissions of submittals.

e. The data submitted shall be sufficient, in the opinion of the Engineer, to determine compliance with the plans and specifications. [The Contractor's submittals shall be neatly bound in a properly sized 3-ring binder, tabbed by specification section.] The Engineer reserves the right to reject any and all equipment, materials or procedures, which, in the Engineer's opinion, does not meet the system design and the standards and codes, specified herein.

f. All equipment and materials furnished and installed under this section shall be guaranteed against defects in materials and workmanship for a period of at least [twelve (12) months] from final acceptance by the Owner. The defective materials and/or equipment shall be repaired or replaced, at the Owner's discretion, with no additional cost to the Owner.

The engineer should specify the form in which submittals are to be received and number of copies.

The length of time for guarantee of materials and workmanship should be as stated in the contract h the owner and contractor and the contract special provisions.

119-2.2 OBSTRUCTION LIGHTS. The obstruction lights shall conform to the requirements of AC 150/5345-43, Specification for Obstruction Lighting Equipment.

119-2.3 ISOLATION TRANSFORMERS. Where required for series circuits, the isolation transformers shall conform to the requirements of AC 150/5345-47, Isolation Transformers for Airport Lighting Systems.

119-2.4 TRANSFORMER HOUSING. Transformer housings, if specified, shall conform to AC 150/5345-42, Specification for Airport Light Base and Transformer Housings, Junction Boxes, and Accessories.

119-2.5 CONDUIT. Steel conduit and fittings shall be in accordance with Underwriters Laboratories Standard 6, 514, and 1242.

119-2.6 PLASTIC CONDUIT (for use below grade only). Plastic conduit and fittings-shall conform to the requirements of Fed. Spec. W--C-1094 and Underwriters Laboratories Standards UL-651 and shall be one of the following, as shown on the plans:

- a. Type I--Schedule 40 PVC suitable for underground use either direct-buried or encased in concrete.
- b. Type II--Schedule 40 PVC suitable for either above ground or underground use.

119-2.7 WIRES. Wires in conduit rated up to 5,000 volts shall conform to AC 150/5345 7, Specification for L-824 Underground Electrical Cable for Airport Lighting Circuits, for rubber insulated neoprene covered wire, or Fed. Spec. J-C-30, Type RHW, for rubber insulated fibrous covered wire. For ratings up to 600 volts, thermoplastic wire conforming to Fed. Spec. J-C-30, Types TW, THW, and THWN-2, shall be used. The wires shall be of the type, size, number of conductors, and voltage shown in the plans or in the proposal. Overhead line wire from pole to pole, where specified, shall conform to ANSI/ICEA S-70-547-1992.

119-2.8 MISCELLANEOUS. Paint, poles, pole steps, insulators, and all other miscellaneous materials necessary for the completion of this item shall be new and first-grade commercial products. These products shall be as specified in the plans or specifications.

CONSTRUCTION METHODS

119-3.1 PLACING THE OBSTRUCTION LIGHTS. The Contractor shall furnish and install single-or double-obstruction lights as specified in the proposal and shown in the plans. The obstruction lights shall be mounted on poles, buildings, or towers approximately at the location shown in the plans. The exact location shall be as directed by the Engineer.

119-3.2 INSTALLATION ON POLES. Where obstruction lights are to be mounted on poles, each obstruction light shall be installed with its hub at least as high as the top of the pole. All wiring shall be run in not less than 1-inch (25 mm) galvanized rigid steel conduit. If specified, pole steps shall be furnished and installed, the lowest step being 5 feet (150 cm) above ground level. Steps shall be installed alternately on diametrically opposite sides of the pole to give a rise of 18 inches (45 cm) for each step. Conduit shall be fastened to the pole with galvanized steel pipe straps and shall be secured by galvanized lag screws. Poles shall be painted as shown in the plans and specifications.

When obstruction lights are installed on existing telephone or power poles, a large fiber insulating sleeve of adequate diameter and not less than 4-feet (120 cm) long, shall be installed to extend 6 inches (150 mm) above the conductors on the upper cross arm. In addition, the sleeve shall be at least 18 inches (45 cm) below the conductors on the lower crossarm. The details of this installation shall be in accordance with the plans.

119-3.3 INSTALLATION ON BEACON TOWER. Where obstruction lights are installed on a beacon tower, two obstruction lights shall be mounted on top of the beacon tower using 1-inch (25 mm) conduit. The conduit shall screw directly into the obstruction light fixtures and shall support them at a height of not less than 4 inches (100 mm) above the top of the rotating beacon. If obstruction lights are specified at lower levels, the Contractor shall install not less than 1-inch (25 mm) galvanized rigid steel conduit with standard conduit fittings for mounting the fixtures. The fixtures shall be mounted in an upright position in all cases. The conduit shall be fastened to the tower members with “wraplock” straps, clamps, or approved fasteners spaced approximately 5 feet (150 cm) apart. Three coats of aviation-orange paint shall be applied (one prime, one body, and one finish coat) to all exposed material installed.

119 3.4 INSTALLATION ON BUILDINGS, TOWERS, SMOKESTACKS, ETC. Where obstruction lights are to be installed on buildings or similar structures, the installation shall be made in accordance with details shown in the plans. The hub of the obstruction light shall be not less than 1 foot (30 cm) above the highest point of the obstruction except in the case of smokestacks where the uppermost units shall be mounted not less than 5 feet (150 cm), nor more than 10 feet (3 m) below the top of the stack. Conduit supporting the obstruction light units shall be fastened to wooden structures with galvanized steel pipe straps and shall be secured by 1-½ inch (37 mm) No. 10 galvanized wood screws. Conduit shall be fastened to masonry structures by the use of expansion shields, screw anchors, or toggle bolts using No. 10, or larger, galvanized wood or machine screws. Conduit fastened to structural steel shall have the straps held with not less than No. 10 roundhead machine screws in drilled and tapped holes. Fastenings shall be approximately 5 feet (150 cm) apart. Three coats of aviation-orange paint shall be applied (one prime, one body, and one finish coat) to all exposed material installed.

119-3.5 SERIES ISOLATION TRANSFORMERS. The L-810 series obstruction light does not include a film cutout; therefore, an isolation transformer is required with each series lamp. Double series units of this type require two series insulating transformers. The transformer shall be housed in a base or buried directly in the earth in accordance with the details shown in the plans.

119-3.6 WIRING. The Contractor shall furnish all necessary labor and materials and shall make complete electrical connections from the underground cable or other source of power in accordance with the wiring diagram furnished with the project plans. If underground cable is required for the power feed and if duct is required under paved areas, the cable and duct shall be installed in accordance with and paid for as described in Item L-108, Underground Power Cable for Airports, and Item L-110, Airport Underground Electrical Duct Banks and Conduit.

119-3.7 LAMPS. The Contractor shall furnish and install in each unit one or two lamps, as required, conforming to the manufacturer’s requirements.

119-3.8 TESTS. The installation shall be fully tested by continuous operation for not less than 1/2 hour as a completed unit prior to acceptance. These tests shall include the functioning of each control not less than 10 times.

METHOD OF MEASUREMENT

119-4.1 The quantity of lights to be paid for under this item shall be the number of single- or double-type obstruction lights installed and accepted as completed units, in place, ready for operation.

BASIS OF PAYMENT

119-5.1 Payment will be made at the contract unit price for each completed obstruction light installed, in place by the Contractor, and accepted by the Engineer. This price shall be full compensation for furnishing all materials and for all preparation, assembly, and installation of these materials, and for all labor, equipment, tools, and incidentals necessary to complete this item.

Payment will be made under:

Item L-119-5.1 Airport Obstruction Light, in Place-per each

MATERIAL REQUIREMENTS

AC 150/5345-7 Specification for L-824 Underground Electrical Cable for Airport Lighting Circuits

AC 150/5345-42 Specification for Airport Light Base and Transformer Housing, Junction Boxes, and Accessories

AC 150/5345-43 Specification for Obstruction Lighting Equipment

AC 150/5345-47 Isolation Transformers for Airport Lighting Systems

ANSI/ICEA S-70-547-1992 Weather-Resistant Polyolefin-Covered Wire and Cable

FED SPEC J-C-30 Cable and Wire, Electrical (Power, Fixed Installation) (cancelled; replaced by AA-59544 Cable and Wire, Electrical (Power, Fixed Installation))

END OF ITEM L-119
