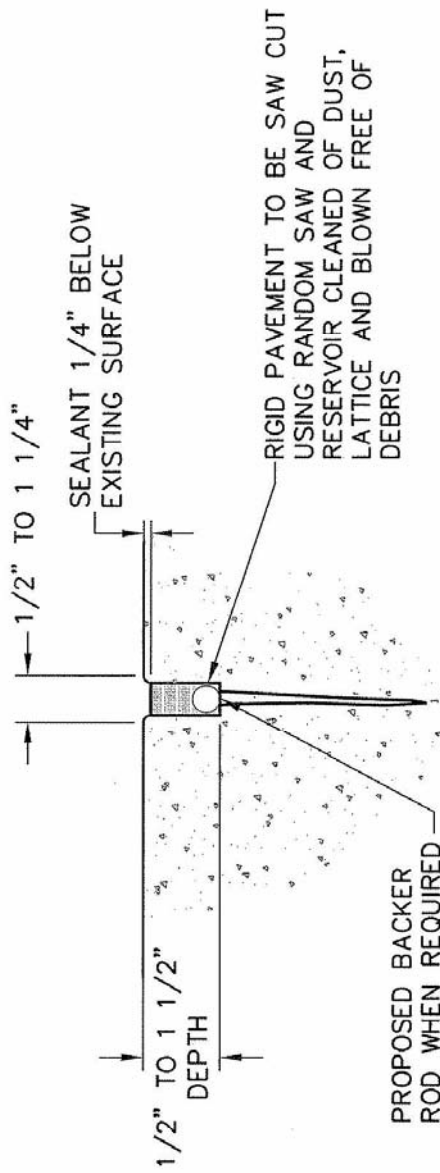


APPENDIX C. GENERIC TYPICAL DETAILS

This appendix provides guidance in the installation of materials and repair procedures through generic typical details. The generic typical details include such items as: repair of cracks, corner breaks, joint spalls, corner spalls, and blowups in rigid pavement; patching in rigid pavement; temporary patching of rigid pavement with flexible pavement; and repair of cracks in flexible pavement.

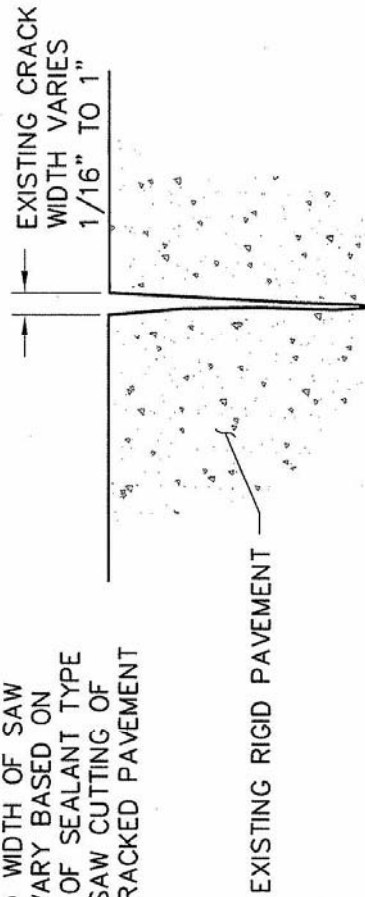


PROPOSED SAW CUT AND SEAL DETAIL

NOT TO SCALE
FIGURE C-1B

NOTE:

DEPTH AND WIDTH OF SAW CUT MAY VARY BASED ON SELECTION OF SEALANT TYPE PRIOR TO SAW CUTTING OF EXISTING CRACKED PAVEMENT



EXISTING CONDITION RANDOM CRACK IN RIGID PAVEMENT DETAIL

NOT TO SCALE
FIGURE C-1A

Figure C - 1.A. Existing Condition Random Crack in Rigid Pavement Detail
Figure C - 1.B. Proposed Saw Cut and Seal Detail

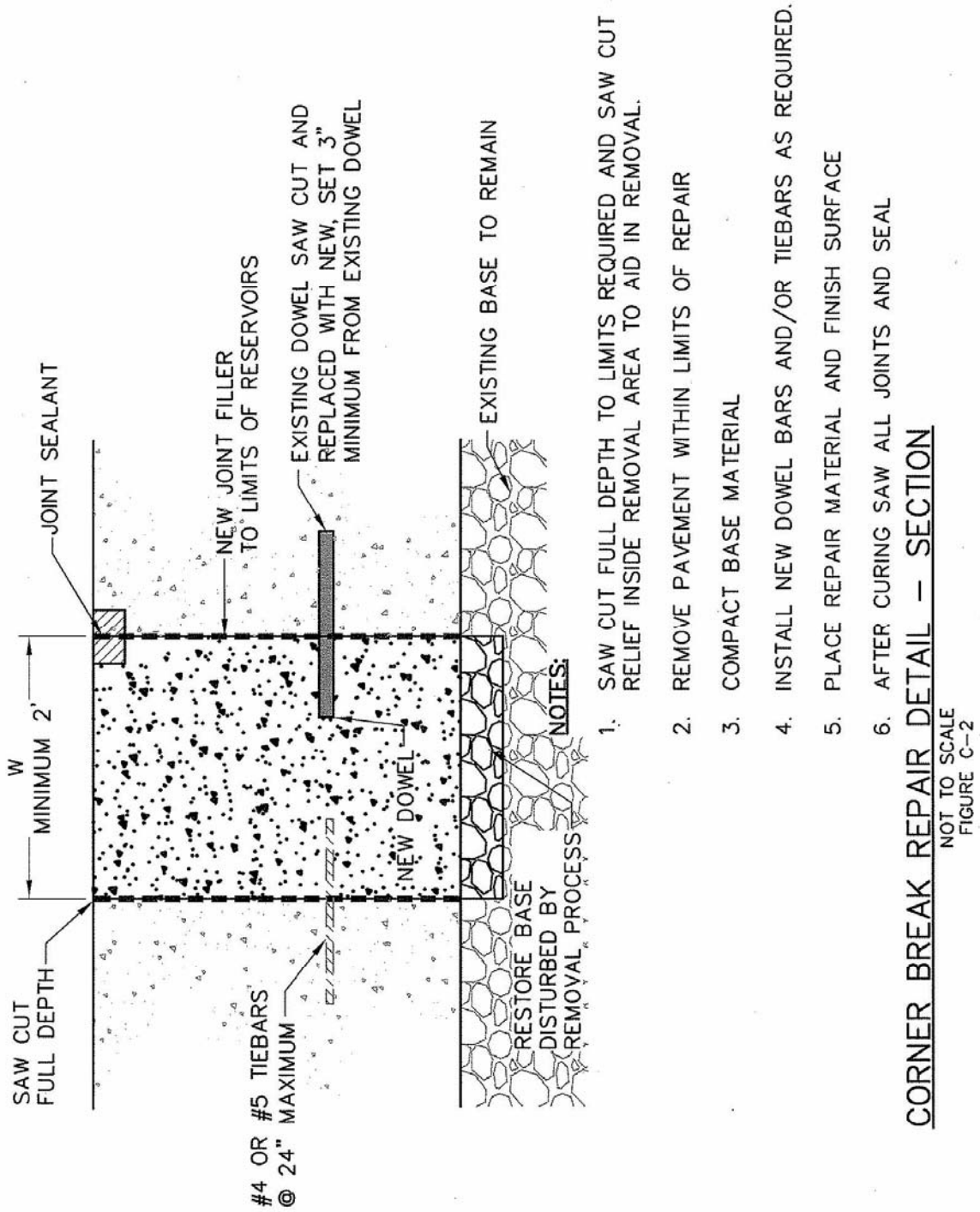
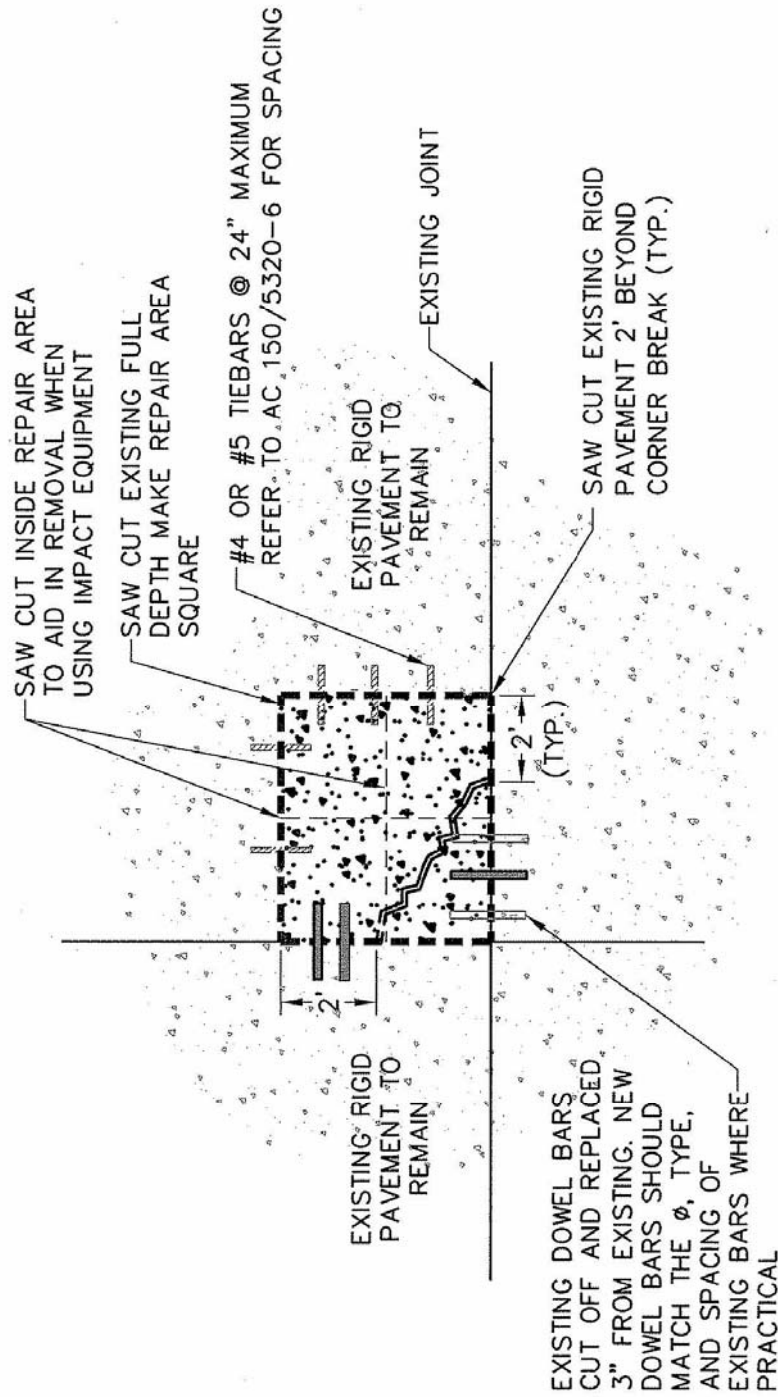


Figure C - 2. Corner Break Repair Detail - Section



**CORNER BREAK REPAIR
SAW CUT DETAIL -- PLAN**
NOT TO SCALE
FIGURE C-3

Figure C - 3. Corner Break Repair Saw Cut Detail - Plan

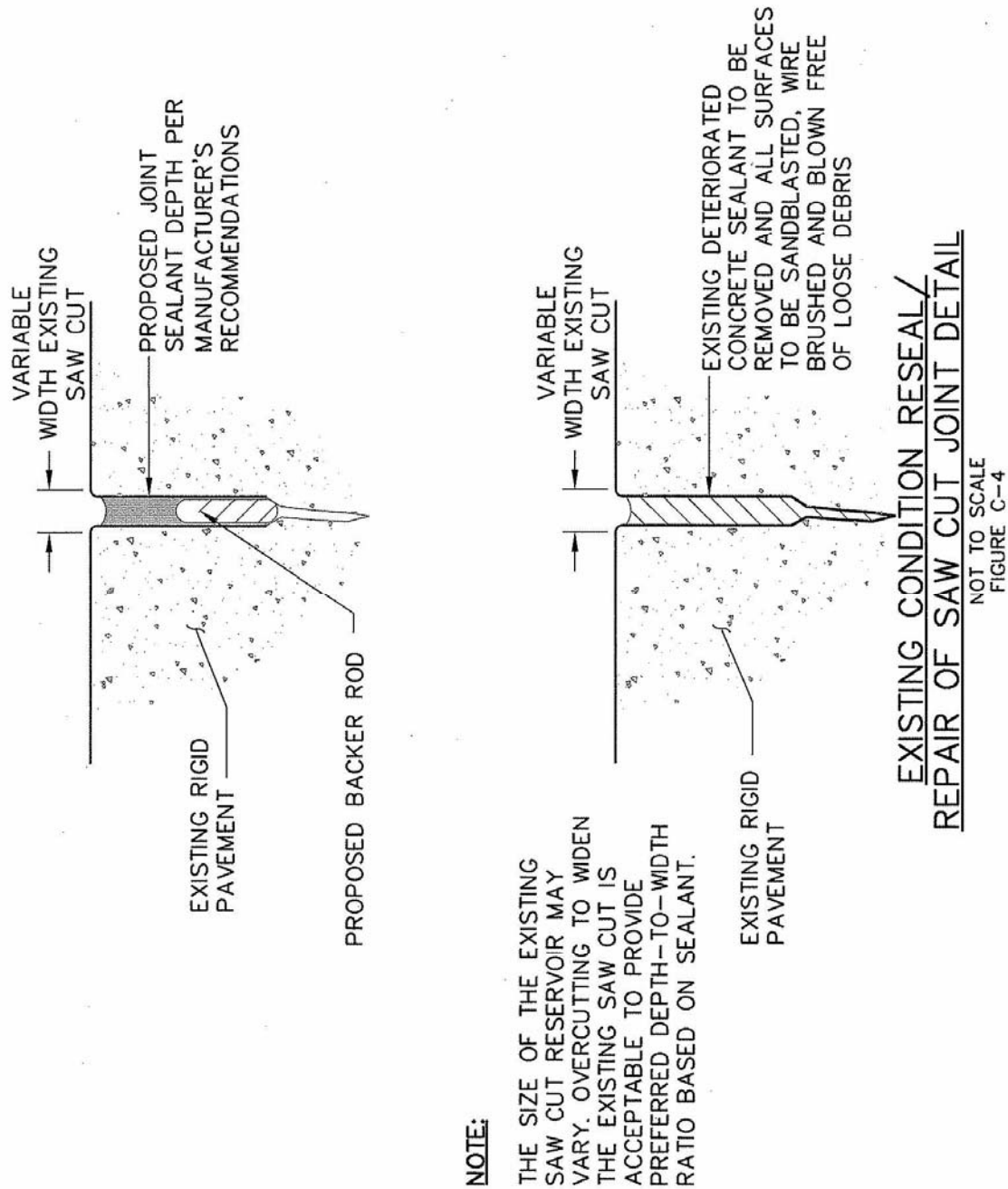


Figure C - 4. Existing Condition Reseal/ Repair of Saw Cut Joint Detail

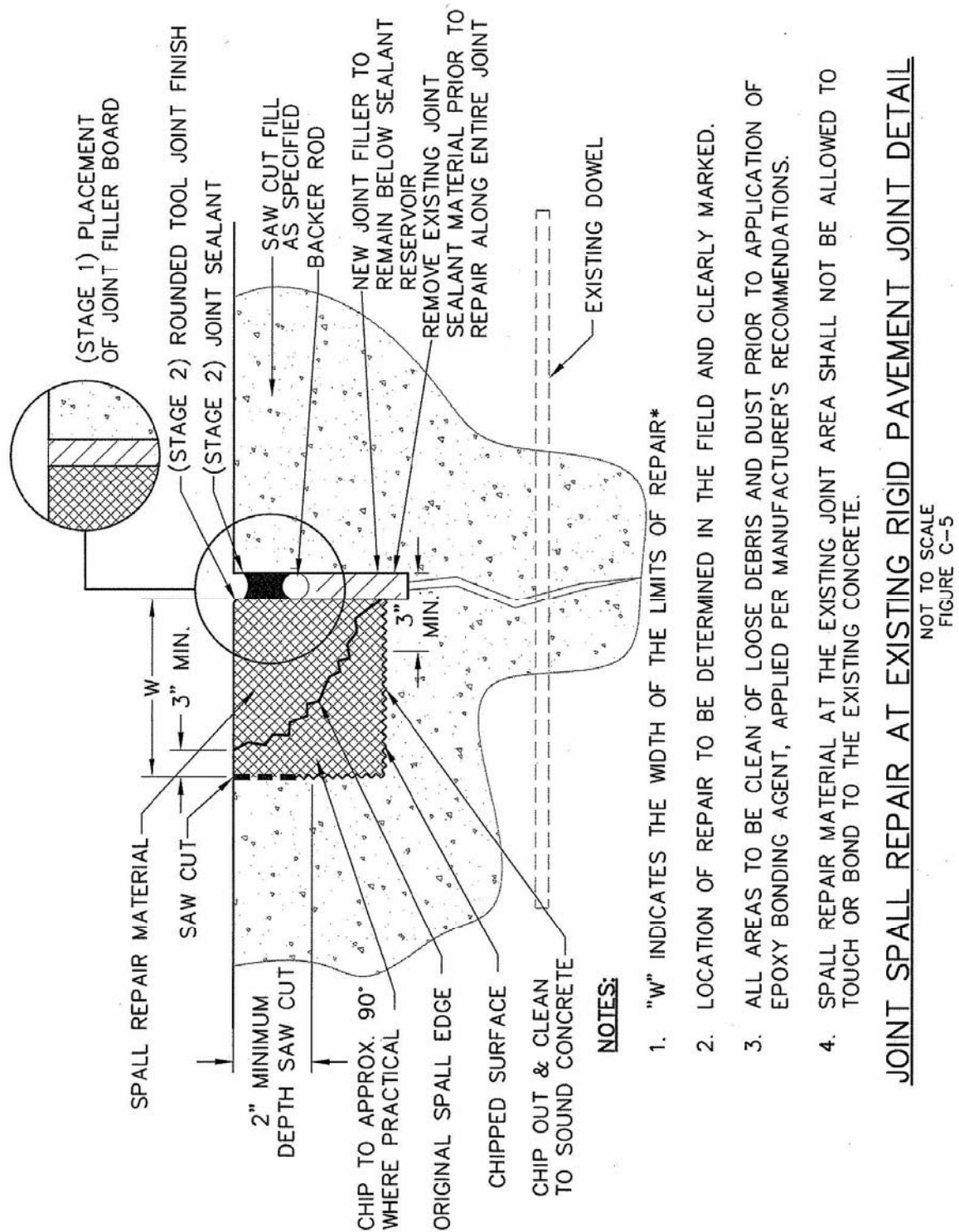


Figure C - 5. Joint Spall Repair at Existing Rigid Pavement Joint Detail

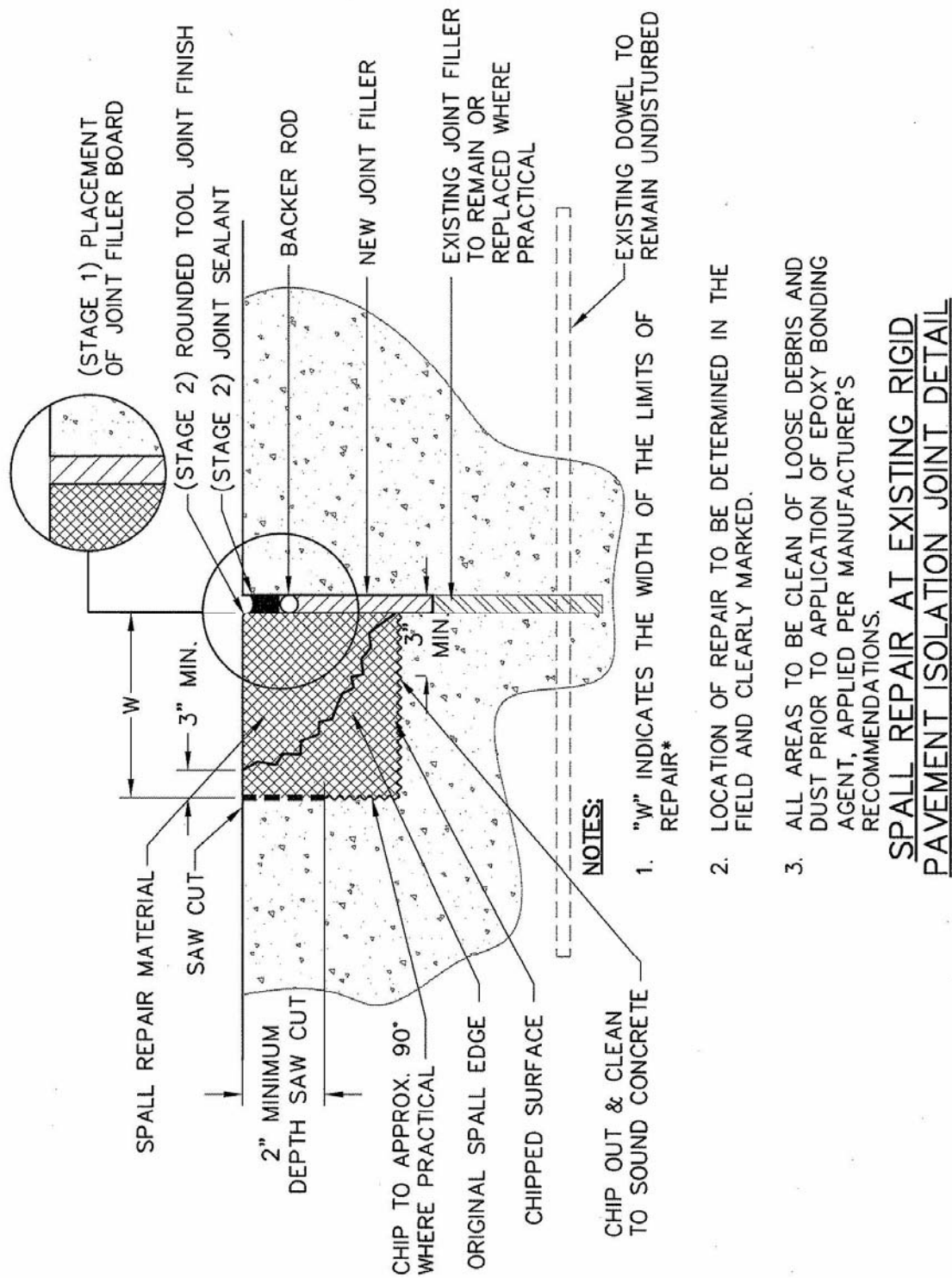
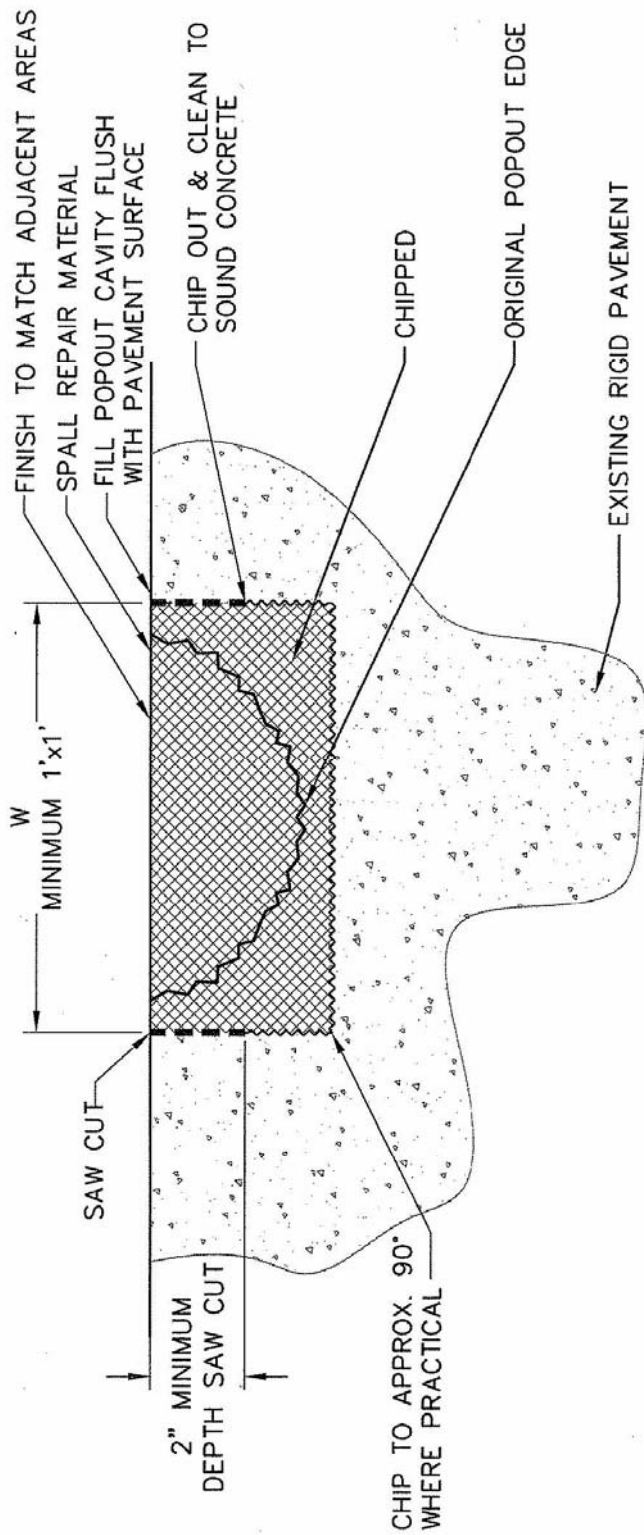


Figure C - 6. Spall Repair at Existing Rigid Pavement Isolation Joint Detail



NOTES:

1. "W" INDICATES THE WIDTH OF THE LIMITS OF REPAIR*
2. LOCATION OF REPAIR TO BE DETERMINED IN THE FIELD BY THE ENGINEER.
3. ALL AREAS TO BE CLEAN OF LOOSE DEBRIS AND DUST PRIOR TO APPLICATION OF EPOXY BONDING AGENT, APPLIED PER MANUFACTURER'S RECOMMENDATIONS.

TYPICAL POPOUT SPALL REPAIR DETAIL
NOT TO SCALE
FIGURE C-7

Figure C - 7. Typical Popout Spall Repair Detail

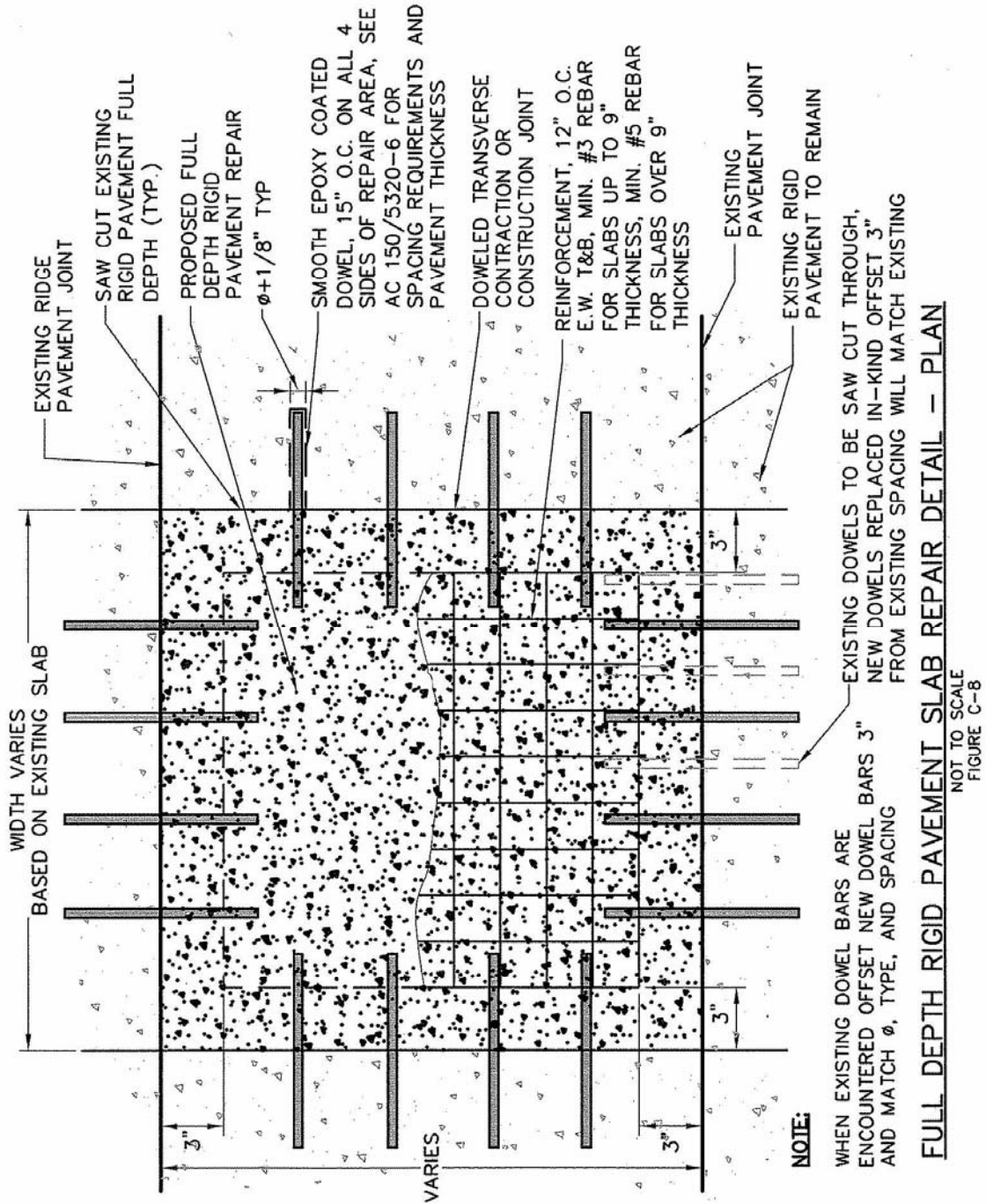


Figure C - 8. Full Depth Rigid Pavement Slab Repair Detail - Plan