

APPENDIX 1. HELICOPTER DATA

1. INTRODUCTION. This appendix contains selected helicopter data needed by a heliport designer. These data represent the most critical weight, dimensional, or other data entry for that helicopter model, recognizing that specific versions of the model may weigh less, be smaller in some feature, carry fewer passengers, etc.

2. VERIFICATION. The published information has been verified by the various helicopter manufacturers and is current as of the date of publication. If more specific data is needed, contact the manufacturer(s) of the specific helicopter(s) of interest.

- A Manufacturer name and helicopter model
- B Maximum takeoff weight in pounds.
- C Overall length in feet. (Rotors at their maximum extension.)
- D Overall height in feet. (Usually at tail rotor.)
- E Rotor diameter in feet.
- F Rotor plane clearance in feet.
- G Distance from rotor hub to tip of tail rotor in feet.
- H Tail rotor diameter (in feet)
- I Tail rotor ground clearance in feet.
- J Type of undercarriage.
- K Undercarriage length in feet.
- L Undercarriage width in feet. (The distance between the outside edges of the tires or the skids.)
- M Number and type of engines
- N Number of crew and passengers.
- O Standard fuel capacity in gallons

Table A1- 1. Legend for Figure A1-1 and Table A1-2

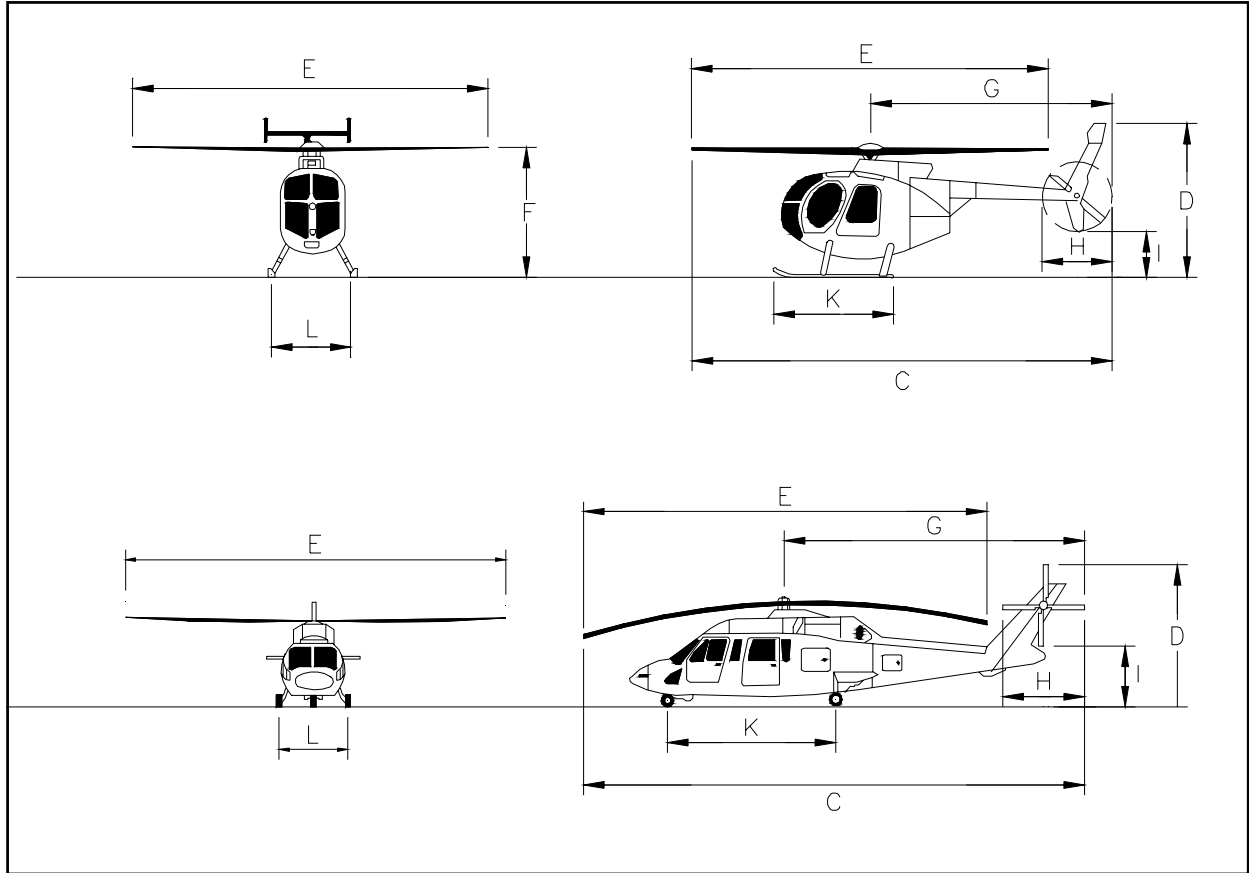


Figure A1-1. Helicopter Dimensions

Table A1-2 Helicopter Dimensions

A	B	C	D	E	F	G	H	I	J	K	L	M	N
	Max.			Main Rotor			Tail Rotor					Number	
	Takeoff	Overall		Dia.	Ground	Hub To	Dia.	Ground	Undercarriage			Engines	Crew
Manufacturer	Weight	Length	Height	# Blades	Clear.	Aft End	# Blades	Clear.	Type	Length	Width	Type	Passengers
Model	(lbs)	(feet)	(feet)	(feet/No)	(feet)	(feet)	(feet/No)	(feet)		(feet)	(feet)		(No&No)
Agusta													
A-109	5,997	43	11	37/4	10	25	6.7/2	2.3	wheel	11.6	7.5	2-T	1&7
A-109E Power	6,284	37.6	11.5	36.1/4	8.04	26.5	6.7/2	3	wheel	16.11	5.28	2-T	1&7
A119 Koala	5,997	42.7	11.5	36.1/4	8.33	25.5	6.6/2	4.23	skid	13.4	5.48	1-T	1&7
Bell/Agusta													
AB-139	13,228	54.8	12.5	45.3/5	7	32.2	8.9/4	7.5	wheel	14.2	10	2-T	1&13
BA-609 Tiltrotor	16,800	60	15	26/3 X 2	14	27	n/a	n/a	wheel	19	10	2-T	1 or 2&9
Bell Helicopter													
47	2,950	44	10	36/2	5	25	5.1/2	3.5	skid	9.9	7.5	1-P	1&3
205A, A-1	9,500	57.1	12.3	48/2	7.3	33.1	8.5/2	5.9	skid	12.1	8.8	1-T	1&14
205B & UH-1H II	10,500	57.1	11.8	48/2	7.3	33.1	8.5/2	5.9	skid	12.1	8.8	1-T	1&14
206B-3	3,200	39.1	10.4	33.3/2	6	22.5	5.4/2	2.1	skid	8.3	6.8	1-T	1&4
206L-1,3	4,150	42.5	10.3	37/2	6.2	24	5.4/2	3.5	skid	9.9	7.7	1-T	1&6
206L-4	4,450	42.5	10.3	37/2	6.2	24	5.4/2	3.5	skid	9.9	7.7	1-T	1&6
212	11,200	57.2	12.6	48/2	7.5	33.2	8.5/2	6.1	skid	12.1	8.8	2-T	1&14
214ST	17,500	63	16	52/2	6.5	37	9.7/2	3.5	skid	12.1	8.6	2-T	2&18
222B, UT	8,250	50.2	11.7	42/2	9.2	29.2	6.9/2	2.7	wheel/skid	12.2	7.8	2-T	1&9
230	8,400	50.2	12	42/2	9.2	29.2	6.9/2	2.7	wheel/skid	12.2	7.8	2-T	1&9
412EP	11,900	57	15	46/4	11	34	8.5/2	6.4	skid	7.9	8.3	2-T	1&14
407	5,250	41.8	10.9	35/4	8	24.3	5.4/2	3.3	skid	9.9	7.5	1-T	1&6
427VFR	6,350	42.6	10.6	37/4	6.3	24.1	5.7/2	3.8	skid	9.9	7.5	2-T	1&7
430	9,300	50.2	13.2	42/4	6.8	29.2	6.9/2	3.9	wheel/skid	12.5	8.3	2-T	1&9
Boeing													
107	20,000	84	17	50/3	15	59	50/3	16.9	wheel	24.9	12.9	2-T	3&25
234	48,500	99	19	60/3	15	69	60/3	18.7	wheel	25.8	10.5	2-T	3&44
360	36,160	84	20	50/4	14	59	50/4	19.6	wheel	32.7	13	2-T	3&30

A	B	C	D	E	F	G	H	I	J	K	L	M	N
	Max.			Main Rotor			Tail Rotor					Number	
	Takeoff	Overall		Dia.	Ground	Hub To	Dia.	Ground	Undercarriage			Engines	Crew
Manufacturer	Weight	Length	Height	# Blades	Clear.	Aft End	# Blades	Clear.	Type	Length	Width	Type	Passengers
Model	(lbs)	(feet)	(feet)	(feet/No)	(feet)	(feet)	(feet/No)	(feet)		(feet)	(feet)		(No&No)
Brantly													
B-2B	1,670	28	7	24/3	4.8	16	4.3/2	3	skid	7.5	6.8	1-P	1&1
305	2,900	33	8	29/3	8	19	4.3/2	3	skd/whl	6.2	6.8	1-P	1&4
E.H. Industries													
EH-101	31,500	75	22	61/5	21.3	45	13.1/4	8.2	wheel	22.9	14.9	3-T	3&30
Enstrom													
280/F28F	2,600	29.3	9	32/3	5.8	20.6	4.7/2	3.1	skid	8	7.3	1-P	1&2
480B/TH-28	3,000	30.1	9.7	32/3	6.5	21.2	5.0/2	3.6	skid	9.2	8.1	1-T	1&5
Eurocopter													
315 Lama	4,300	42.46	11	36.15/3	10.13	20	6.27/3	3.18	skid	10.8	7.8	1-T	1&4
316 Alouette III	4,630	33.37	9.74	36.08/3	9.8	27.72	6.27/3	2.8	wheel	11.5	8.5	1-T	1&4
330 Puma	16,315	60	17	50/4	14.4	35	10.0/5	6	wheel	13.3	9.8	2-T	2&20
332 Super Puma	18,960	61.34	16.24	51.17/4	14.56	36	10.0/5	7.1	wheel	17.3	9.8	2-T	2&24
341 Gazelle	3,970	39.27	10.4	34.5/3	8.9	23	Fenestron	2.44	skid	6.4	6.6	1-T	1&4
350 A Star/Ecureuil	4,960	42.45	10.96	35.07/3	10.63	25	6.1/2	2.3	skid	4.7	7.48	1-T	1&6
355 Twin Star	5,732	42.45	9.91	35.86/3	10.3	25	6.1/2	2.3	skid	9.56	7.12	2-T	176
360 Dauphin	6,600	43.3	11.48	37.72/4	10.73	25	Fenestron	2.6	wheel	23.71	6.4	1-T	1&13
365 Dauphin 2	9,480	45.05	13.32	39.17/4	11.38	24	Fenestron	2.6	wheel	11.94	6.23	2-T	1&11
BO-105	5,732	38.9	11.5	32.28/4	9.84	23	6.2/2	6.1	skid	8.3	8.2	2-T	1&5
BK-117	7,385	42.65	12.63	36.09/4	11.02	25	6.42/2	6.3	skid	11.6	8.2	2-T	1&10
EC-120	3,780	37.79	11.15	32.8/3	10.1	24.6	Fenestron	2.06	skid	9.4	6.79	1-T	1&4
EC-130	5,291	41.47	11.84	35.07/3	10.96	23.7	Fenestron	5.3	skid	10.5	7.87	1-T	1&7
EC-135	6,250	40	11.5	33.5/4	11	22.8	Fenestron	5.628	skid	10.5	6.6	2-T	1&6
EC 145	7,904	42.74	12.98	36.08/4	11.32	28	6.44/2	10.69	skid	9.51	7.87	2-T	1&8
EC-155	10,692	46.91	14.27	41.34/5	11.96	23	Fenestron	3.1	wheel	12.83	6.23	2-T	2&12
EC 225	11,060	63.98	16.3	53.14/5	15.09	38	10.33/4	3.5	wheel	17.22	9.84	2-T	2&24
Kaman													
K-Max K1200	6,000	52	21	48.2/4	10.7	28	na	na	wheel	15.3	11.3	1-T	1&0

A	B	C	D	E	F	G	H	I	J	K	L	M	N
	Max.			Main Rotor			Tail Rotor					Number	
	Takeoff	Overall		Dia.	Ground	Hub To	Dia.	Ground	Undercarriage		Engines	Crew	
Manufacturer	Weight	Length	Height	# Blades	Clear.	Aft End	# Blades	Clear.	Type	Length	Width	Type	Passengers
Model	(lbs)	(feet)	(feet)	(feet/No)	(feet)	(feet)	(feet/No)	(feet)		(feet)	(feet)		(No&No)
MD Helicopters													
500/520/550/530	3,100	32	9	28/5	8.5	19	4.6/2		skid	8.1	6.8	1-T	1&4
520N/530N	3,350	32	9	29/5	8.7	17	NOTAR		skid	4.5	6.5	1-T	1&4
MDX Explorer	6,500	39	12	34/5		23	NOTAR	3.3	skid	7.3	7.3	2-T	1&7
600N	4,100	37	10	27.5/2			NOTAR		skid			1-T	1&7
Piasecki													
PZ1, Sokol	14,080	61.7	13.8	51.5/4			10.0/3		wheel			2-T	2&12
Robinson													
R-22	1,370	29	9	26/2	8.8	16	3.5/2	4.1	skid	4.2	6.3	1-P	1&1
R-44 Astro	2,400	38	11	33/2	10.5	22	4.8/2	3.8	skid	4.2e	7.2	1-P	1&3
Rogerson-Hiller													
RH-1100	3,500	42	10	36/2	9.5	24	6.0/2	3	skid	7.9	7.2	1-T	1&6
UH-12	3,100	41	11	36/2	10.1	23	6.0/2	4	skid	8.3	7.5	1-P	1&2
Schweizer													
300C	2,050	30.8	8.7	26.8/3	8.7	15.3	4.3/2	2.8	skid	8.3	6.5	1-P	1&2
300CB	1,750	30.8	8.7	26.8/3	8.7	15.3	4.3/2	2.8	skid	8.3	6.5	1-P	1&1
333	2,550	31.3	8.8	27.5/3	9.2	15.3	4.3/2	3.2	skid	8.3	6.5	1-T	1&3
Sikorsky													
S-58	13,000	65.8	16	56/4	11.4	38	9.5/4	6.4	wheel	28.3	14	2-T	2&16
S-61N	20,500	72.8	19	62/5	12.3	40	10.3/5	8.6	wheel	23.5	14	2-T	3&28
S-64F Skycrane	47,000	88.5	25.3	72.3	15.7	53	16.0/4	9.4	wheel	24.4	19.8	2-T	3&0
CH-53E	69,750	99.5	28.3	79/7	17	59.6	20.0/4	9.5	wheel	27.3	13	3-T	3&55
UH-60L Blackhawk	22,000	64.8	16.8	53.8/4	9.4	38	11.0/4	6.5	wheel	29	8.9	2-T	3&11
S-76B/C+	11,700	52.5	14.5	44/4	8.1	30.5	8.0/4	6.5	wheel	16.4	8	2-T	2&12
S-92	26,150	68.5	17.9	64.8	9.8	39.9	11.0/4	7.4	wheel	20.33	10.4	2-T	2 & 19

Intentionally Left Blank

APPENDIX 2. AVIATION ORGANIZATIONS

STATE AVIATION OFFICES

ALABAMA

Alabama Department of Transportation
Aeronautics Bureau
1409 Coliseum Blvd.
Montgomery, AL 36130
Telephone: 334-242-6820
FAX: 205-240-3274

ALASKA

Department of Transportation &
Public Facilities
P.O. Box 196900
Anchorage, AK 99519-6900
Telephone: 907-269-0731
FAX: 907-243-1512
<http://www.dot.state.ak.us/stwdav/stwdav.html#>

ARIZONA

Division of Aeronautics
Arizona Department of Transportation
255 E. Osborn Road, Suite 101
Phoenix, AZ 85012
or
Mail Drop 426M
Phoenix, AZ 85002-3588
Telephone: 602-294-9144
FAX: 602-294-9141
<http://www.dot.state.az.us/Aero/index.htm>

ARKANSAS

Department of Aeronautics
Regional Airport Terminal Building
No. 1 Airport Drive, 3rd Floor
Little Rock, AR 72202
Telephone: 501-376-6781
FAX: 501-378-0820
<http://www.ahtd.state.ar.us/>

CALIFORNIA

Division of Aeronautics Program
Department of Transportation
1120 N. Street-Room 3300
P.O. Box 942874
Sacramento, CA 94274-0001
Telephone: 916-654-4959
FAX: 916-653-9531
<http://www.dot.ca.gov/hq/planning/aeronaut/htmlfile/index.php>

CALIFORNIA (continued)

Postal Address:
Department of Transportation
Division of Aeronautics, MS # 40
P. O. Box 942874
Sacramento, CA 94274-0001

COLORADO

Division of Aeronautics
Colorado Department of Transportation
6848 South Revere Parkway, Suite 3-101
Englewood, CO 80112-6703
Telephone: 303-397-3045
FAX: 303-397-3042
<http://www.colorado-aeronautics.org/>

5126 Front Range Parkway
Watkins, CO 80137
303-261-4418

CONNECTICUT

Bureau of Aviation and Ports
Connecticut Department of Transportation
2800 Berlin Turnpike
P.O. Box 317546
Newington, CT 06131-7546
Telephone: 860-594-2529
FAX: 860-594-2574
<http://www.ct.gov/dot/cwp/view.asp?a=1402&q=259246&dotPNavCtr=#40584>

DELAWARE

Aeronautics Administration
Delaware Transportation Authority
Department of Transportation
P.O. Box 778
Dover, DE 19903
Telephone: 302-739-3264
FAX: 302-739-5711

FLORIDA

Aviation Office
Florida Department of Transportation
605 Suwannee Street
Mail Stop 46
Tallahassee, FL 32399-0450
Telephone: 904-488-8444
FAX: 904-487-3403

GEORGIA

Georgia Department of Transportation
Office of Intermodal Programs
276 Memorial Drive, SW
Atlanta, GA 30303-3743
Telephone: 404-651-9201
FAX: 404-651-5209

HAWAII

Airports Division
Hawaii Department of Transportation
Honolulu International Airport
Honolulu, HI 96819-1898
Telephone: 808-836-6542
FAX: 808-836-6441

IDAHO

Bureau of Aeronautics
Idaho Department of Transportation
3483 Rickenbacker Street
P.O. Box 7129
Boise, ID 83705
Telephone: 208-334-8786
FAX: 208-334-8789

ILLINOIS

Division of Aeronautics
Department of Transportation
Capital Airport - One Langhorne Bond Dr.
Springfield, IL 62707-8415
Telephone: 217-785-8544
FAX: 217-785-4533

INDIANA

Division of Aeronautics
Indiana Department of Transportation
143 West Market Street, Suite 300
Indianapolis, IN 46204
Telephone: 317-232-1496
FAX: 317-232-1499

IOWA

Office of Aeronautics
Air and Transit Division
Iowa Department of Transportation
International Airport
Des Moines, IA 50321
Telephone: 515-287-3315
FAX: 515-287-7731

KANSAS

Division of Aviation
Kansas Department of Transportation
Docking State Office Building
915 SW Harrison
Topeka, KS 66612-1568
Telephone: 913-296-2553
FAX: 913-296-7927

KENTUCKY

Office of Aeronautics
Kentucky Transportation Cabinet
421 Ann Street
Frankfort, KY 40622
Telephone: 502-564-4480
FAX: 502-564-7953

LOUISIANA

Aviation Division
Department of Transportation & Development
P.O. Box 94245
Baton Rouge, LA 70804-9245
Telephone: 504-379-1242
FAX: 504-379-1394

MAINE

Office of Passengers Transportation
Maine Department of Transportation
Augusta State Airport Station #16
Augusta, ME 04333
Telephone: 207-287-3318
FAX: 207-287-1030

MARYLAND

Maryland Aviation Administration
Maryland Department of Transportation
P.O. Box 8766
Baltimore/Washington Intl. Airport
MD 21240
Telephone: 410-859-7100
FAX: 410-850-4729

MASSACHUSETTS

Massachusetts Aeronautics Commission
10 Park Plaza, Room 6620
Boston, MA 02116-3966
Telephone: 617-973-8881
FAX: 617-973-8889

MICHIGAN

Bureau of Aeronautics
Department of Transportation
2nd Floor, Terminal Building
Capital City Airport
Lansing, MI 48906
Telephone: 517-373-1834
FAX: 517-886-0366

MINNESOTA

Aeronautics Office
Minnesota Department of Transportation
Transportation Building, Room 417
395 John Ireland Boulevard
St. Paul, MN 55155
Telephone: 612-296-8202
FAX: 612-297-5643

MISSISSIPPI

Mississippi Aeronautics Bureau
Department of Economic & Community
Development
100 Airport Drive
Jackson, MS 39208
Telephone: 601-354-6970
FAX: 601-354-6969

MISSOURI

Department of Highways & Transportation
Aviation Section
P.O. Box 270
Jefferson City, MO 65102
Telephone: 314-751-2589
FAX: 314-751-6555

MONTANA

Aeronautics Division
Department of Transportation
P.O. Box 5178
Helena, MT 59604
Telephone: 406-444-2506
FAX: 406-444-2519

NEBRASKA

Nebraska Department of Aeronautics
P.O. Box 82088
Lincoln, NE 68501
Telephone: 402-471-2371
FAX: 402-471-2906

NEVADA

Nevada Department of Transportation
1263 South Stewart Street
Carson City, NV 89712
Telephone: 775-888-7353
FAX: 775-888-7207

NEW HAMPSHIRE

Division of Aeronautics
Municipal Airport
65 Airport Road
Concord, NH 03301-5298
Telephone: 603-271-2551
FAX: 603-271-1689

NEW JERSEY

Office of Aviation
New Jersey Department of Transportation
1035 Parkway Avenue CN 610
Trenton, NJ 08625
Telephone 609-530-2900
FAX 609-530-5719

NEW MEXICO

Aviation Division
State Highway and Transportation Department
P.O. Box 1149
Santa Fe, NM 87504-1149
Telephone 505-827-0332
FAX 505-827-0431

NEW YORK

Aviation Division
New York State Department of Transportation
1220 Washington Avenue
Albany, NY 12232
Telephone 518-457-2821
FAX 518-457-9779

NORTH CAROLINA

Division of Aviation
North Carolina Department of Transportation
P.O. Box 25201
Raleigh, NC 27611
Telephone 919-840-0112
FAX 919-840-0645

NORTH DAKOTA

North Dakota Aeronautics Commission
2301 University Drive
Box 5020
Bismarck, ND 58502
Telephone 701-224-2748
FAX 701-224-2780

OHIO

Ohio Department of Transportation
Division of Aviation
2829 West Dublin-Granville Road
Columbus, OH 43235
Telephone 614-793-5040
FAX 614 761-9609

OKLAHOMA

Oklahoma Aeronautics and Space Commission
Department of Transportation Building
200 NE 21st Street, B-7 1st Floor
Oklahoma City OK 73105
Telephone 405-521-2377
FAX 405-521-2524

OREGON

Division of Aeronautics
Oregon Department of Transportation
3040 25th Street, SE
Salem, OR 97310
Telephone: 503-378-4880
FAX: 503-373-1688

PENNSYLVANIA

Bureau of Aviation
Pennsylvania Department of Transportation
208 Airport Drive
Harrisburg International Airport
Middletown, PA 17057
Telephone: 717-948-3915
FAX: 717-948-3527

PUERTO RICO

Puerto Rico Ports Authority
P.O. Box 362829
San Juan, PR 00936-2829
Telephone: 809-723-2260
FAX: 809-722-7867

RHODE ISLAND

Rhode Island Airport Corporation
Department of Airports
Theodore Francis Green State Airport
2000 Post Road
Warwick, RI 02886
Telephone: 401-737-4000
FAX: 401-732-4953

SOUTH CAROLINA

South Carolina Aeronautics Commission
P.O. Box 280068
Columbia, SC 29228-0068
Telephone: 803-822-5400
FAX: 803-822-8002

SOUTH DAKOTA

Office of Aeronautics
700 Broadway Avenue East
Pierre, SD 57501-2586
Telephone: 605-773-3574
FAX: 605-773-3921

TENNESSEE

Office of Aeronautics
Tennessee Department of Transportation
P.O. Box 17326
Nashville, TN 37217
Telephone: 615-741-3208
FAX: 615-741-4959

TEXAS

Texas Department of Transportation
Division of Aeronautics
P.O. Box 12607
Austin, TX 78711-2607
Telephone: 512-476-9262
FAX: 512-479-0294

UTAH

Aeronautical Operations Division
Utah Department of Transportation
135 North 2400 West
Salt Lake City, UT 84116
Telephone: 801-533-5057
FAX: 801-533-6048

VERMONT

Agency of Transportation
133 State Street
Montpelier, VT 05602
Telephone: 802-828-2657
FAX: 802-828-2024

VIRGINIA

Department of Aviation
4508 S. Laburnum Avenue
Richmond, VA 23231-2422
Telephone: 804-786-1364
FAX: 804-786-3690

WASHINGTON

Division of Aeronautics
Washington Department of Transportation
8600 Perimeter Road-Boeing Field
Seattle, WA 98108-3885
Telephone: 206-764-4131
FAX: 206-764-4001

WEST VIRGINIA

Department of Transportation
Building 5, Room A-109
West Virginia State Capital
Charleston, WV 25305
Telephone: 304-348-0444
FAX: 304-348-4076

WISCONSIN

Bureau of Aeronautics
Division of Transportation Assistance
Wisconsin Department of Transportation
P.O. Box 7914
Madison, WI 53707-7914
Telephone: 608-266-3351
FAX: 608-267-6748

WYOMING

Wyoming Department of Transportation
5300 Bishop Boulevard
P.O. box 1708
Cheyenne, WY 82002-9019
Telephone: 307-777-4480
FAX: 307-637-7352

Aviation Organizations/Associations**AIRPORT CONSULTANTS COUNCIL**

908 King Street, Suite 100
Alexandria, VA 22314
Telephone: 703-683-5900
FAX: 703-683-2564
<http://www.acconline.org/>

**AMERICAN HELICOPTER SOCIETY
INTERNATIONAL**

217 N. Washington St.
Alexandria, VA 22314-2538
Telephone: 703-684-6777
FAX: 703-739-9279
<http://www.vtol.org/>
Email: Staff@vtol.org

ASSOCIATION OF AIR MEDICAL SERVICES

526 King St., Suite 415
Alexandria, VA 22314-3134
Telephone: 703-836-8732
FAX: 703-836-8920
<http://www.aams.org/>

HELICOPTER ASSOCIATION INTERNATIONAL

1635 Prince Street
Alexandria, VA 22314
Telephone: (703)683-4646
Fax: (703)683-4745
<http://www.rotor.com/>

**HELICOPTER SAFETY ADVISORY
CONFERENCE**

c/o Casey Lowery
225 Aviation Road
Houma, LA 70363
Telephone: 985-223-6152
FAX: 985-872-5258
<http://www.hsac.org/>

**NATIONAL ASSOCIATION OF STATE
AVIATION
OFFICIALS**

101 Wayne Ave. Suite 930
Silver Spring, MD 20910
Telephone: 301-588-0587
FAX: 301-585-1803
<http://www.nasao.org/>

**NATIONAL BUSINESS AIRCRAFT
ASSOCIATION**

1200 18th Street, Northwest, Suite 400
Washington, DC 20036-2527
Telephone: 202-783-9000
FAX: 202-331-8364
<http://www.nbaa.org/>

NATIONAL EMS PILOTS ASSOCIATION

526 King St., Suite 415
Alexandria, VA 22314-3134
Telephone: 703-836-8930
FAX: 703-836-8920
<http://www.nemspa.org/>

**FEDERAL AVIATION ADMINISTRATION
AIRPORTS DIVISION OFFICES**

ALASKAN REGION

Alaskan Regional Office
(AK) Airports Division, AAL-600
222 West 7th Avenue, Box 14
Anchorage, AK 99513
Telephone: 907-271-5438
FAX: 907-271-2851

NEW ENGLAND REGION

(CT, MA, ME, NH, RI, VT)
New England Regional Office
Airports Division, ANE-600
12 New England Executive Park
Burlington, MA 01803-5299
Telephone: 781-238-7600
FAX: 781-238-7608

EASTERN REGION

(DC, DE, MD, NJ, NY, PA, VA, WV)
Eastern Regional Office
Airports Division, AEA-600
1 Aviation Plaza
Jamaica, NY 11434-4809
Telephone: 718-553-3341
FAX: 718-995-5615

SOUTHERN REGION

(AL, FL, GA, KY, NC, SC, TN, PR, VI)
Southern Regional Office
Airports Division, ASO-600
P.O. Box 20636
Atlanta, GA 30320-0631
Telephone: 404-305-6700
FAX: 404-305-6730

GREAT LAKES REGION

(IL, IN, MI, MN, ND, OH, SD, WI)
Great Lakes Regional Office
Airports Division, AGL-600
2300 East Devon Avenue
Des Plaines, IL 60018
Telephone: 847-294-7272
FAX: 847-294-7036

CENTRAL REGION

(IA, KS, MO, NE)
Central Regional Office
Airports Division, ACE-600
901 Locust
Kansas City, MO 64106-2325
Telephone: 816-329-2647
FAX: 816-329-2610

SOUTHWEST REGION

(AR, LA, NM, OK, TX)
Southwest Regional Office
Airports Division, ASW-600
2061 Meacham Boulevard
Fort Worth, Texas 76173-4298
Telephone: 817-222-5600
FAX: 817-222-5984

NORTHWEST MOUNTAIN REGION

(CO, ID, MT, OR, UT, WA, WY)
Northwest Regional Office
Airports Division, ANM-600
1601 Lind Avenue SW, Suite 315
Renton, Washington 98055-4056
Telephone: 425-227-2600
FAX: 425-227-1600

WESTERN-PACIFIC REGION

(AZ, CA, HI, NV, GU)
Western-Pacific Regional Office
Airports Division, AWP-600
P.O. Box 92007
Los Angeles, CA 90009
Telephone: 310-725-3600
FAX: 310-725-6847

Intentionally Left Blank

APPENDIX 3. DIMENSIONS FOR MARKING SIZE AND WEIGHT LIMITATIONS

Introduction. The form and proportion of numbers for marking TLOF and parking area size and weight limitations are shown below.

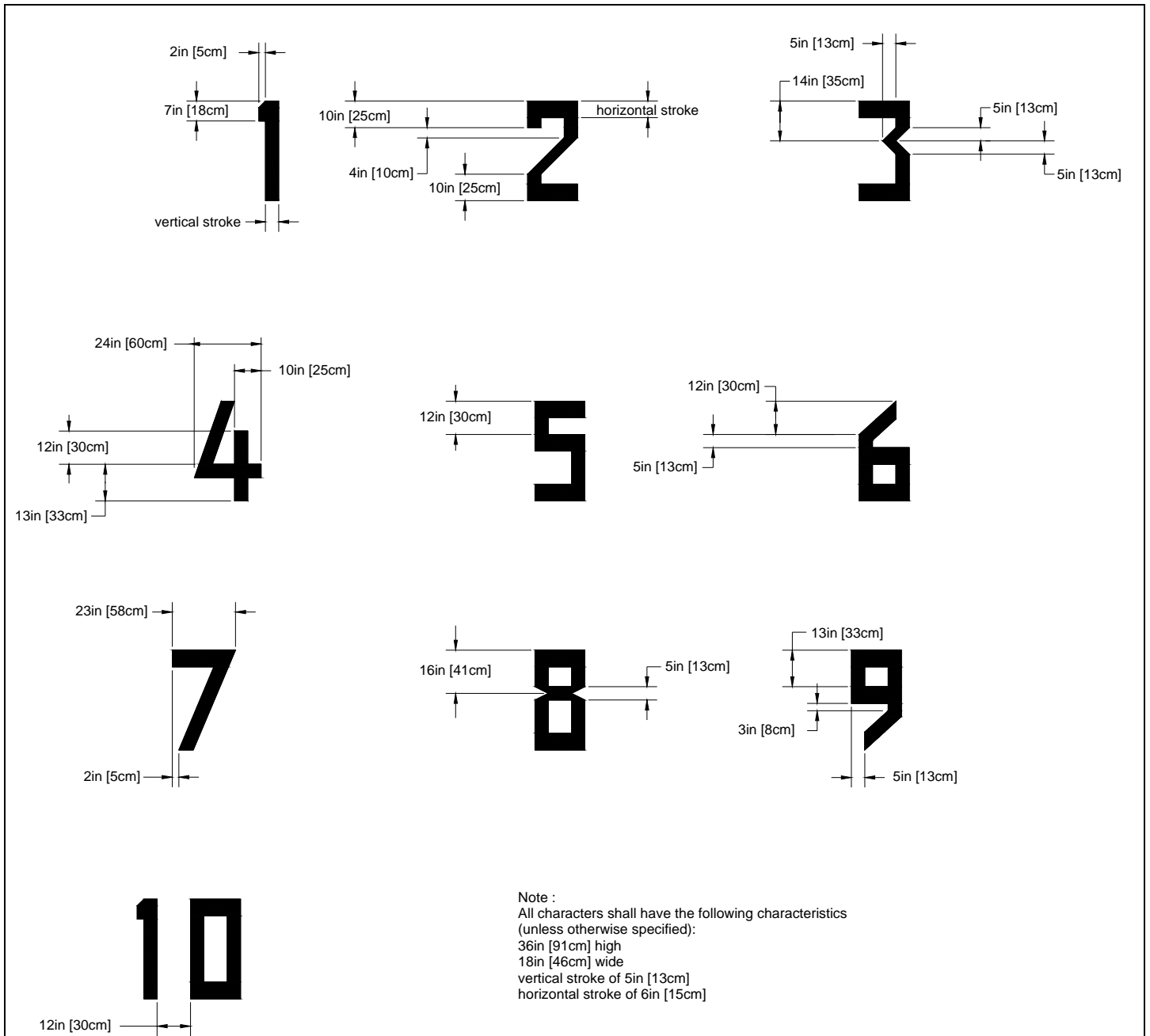


Figure A3- 1. Form and Proportions of 3 foot (0.9 m) Numbers for Marking Size and Weight Limitations

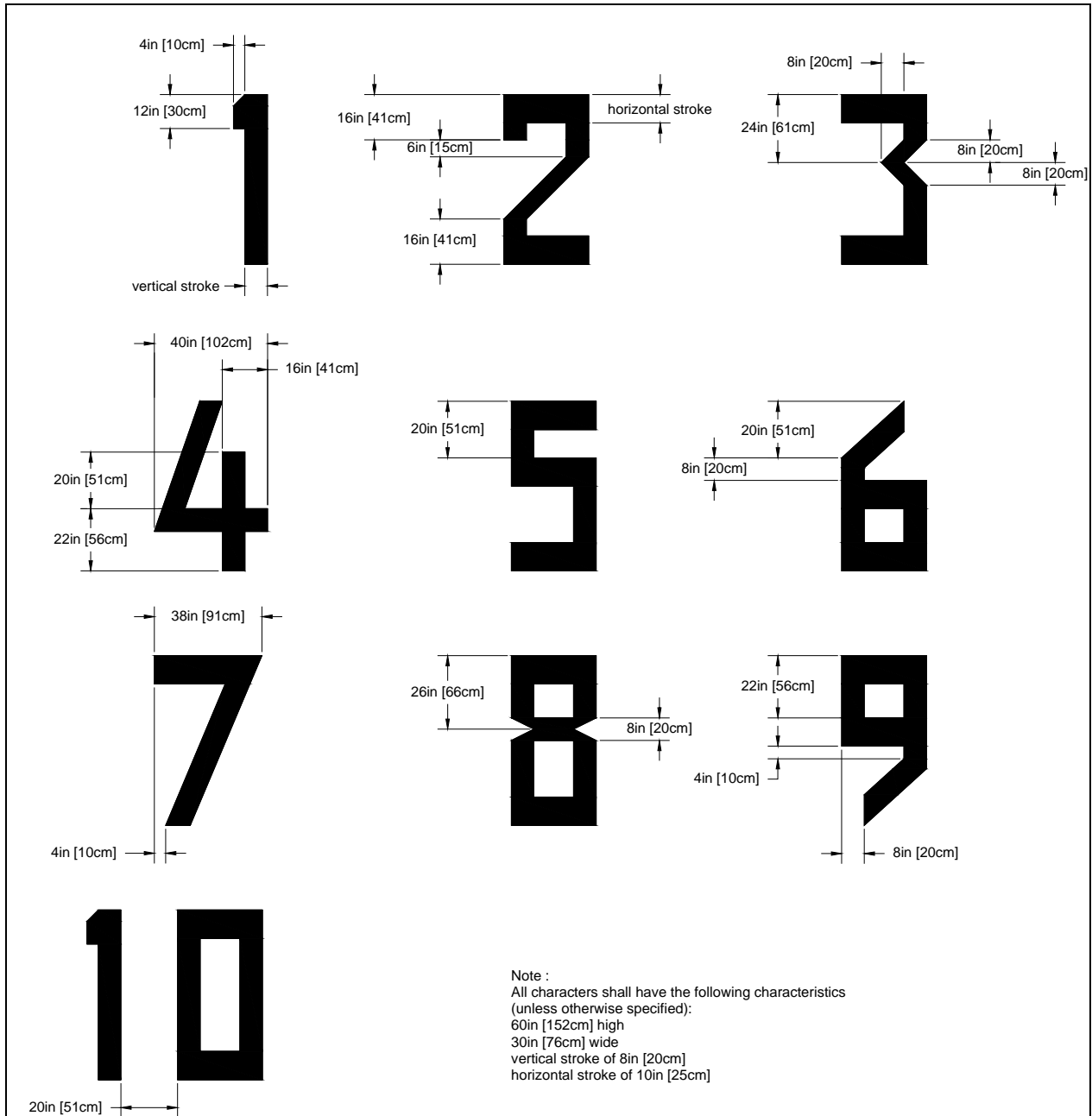


Figure A3- 2. Form and Proportions of 5 foot (1.5 m) Numbers for Marking Size and Weight Limitations

APPENDIX 4. ASSOCIATED PUBLICATIONS

The following is a listing of related documents. Current Advisory Circulars are available from the FAA web site <http://www.airweb.faa.gov/>. Current Electronic Code of Federal Regulations (e-CFRs) are available from the Government Printing Office web site <http://www.gpoaccess.gov/ecfr/>. Airport Advisory Circulars are available at the Airports web site <http://faa.gov/arp>. Technical reports are available at the National Technical Information Service (NTIS) web site <http://www.ntis.gov/>.

1. AC 00-2.14, *Advisory Circular Checklist*.
2. AC 20-35, *Tie-Down Sense*.
3. AC 70/7460-1, *Obstruction Marking and Lighting*.
4. AC 70/7460-2, *Proposed Construction or Alteration of Objects that May Affect the Navigable Airspace*.
5. AC 150/5000-3, *Address List for Regional Airports Divisions and Airports District/Field Offices*.
6. AC 150/5190-4, *A Model Zoning Ordinance to Limit Height of Objects Around Airports*.
7. AC 150/5200-30, *Airport Winter Safety and Operations*.
8. AC 150/5220-16, *Automated Weather Observing Systems (AWOS) for Non-Federal Applications*.
9. AC 150/5230-4, *Aircraft Fuel Storage, Handling, and Dispensing on Airports*.
10. AC 150/5320-6, *Airport Pavement Design and Evaluation*.
11. AC 150/5340-24, *Runway and Taxiway Edge Lighting System*.
12. AC 150/5340-28, *Low Visibility Taxiway Lighting System*.
13. AC 150/5340-30 *Design and Installation Detail for Airport Visual Aids*.
14. AC 150/5345-12, *Specification for Airport and Heliport Beacon*.
15. AC150/5345-27, *Specification for Wind Cone Assemblies*.
16. AC 150/5345-28, *Precision Approach Path Indicator (PAPI) Systems*.
17. AC 150/5345-39, *FAA Specification L-853, Runway and Taxiway Centerline Retroreflective Markers*.
18. AC 150/5345-46, *Specification for Runway and Taxiway Light Fixtures*.
19. AC150/5345-52, *Generic Visual Glideslope Indicators (GVGI)*.
20. AC 150/5360-9, *Planning and Design of Airport Terminal Facilities at Non-Hub Locations*.
21. AC 150/5360-14, *Access to Airports by Individuals with Disabilities*.
22. AC 150/5370-10, *Standards for Specifying Construction of Airports*.
23. 14 CFR Part 135, *Operating Requirements: Commuter and on demand operations and rules governing persons on board such aircraft*
24. 14 CFR Part 27, *Airworthiness Standards: Normal Category Rotorcraft*.
25. 14 CFR Part 29, *Airworthiness Standards: Transport Category Rotorcraft*.
26. 14 CFR Part 77, *Objects Affecting Navigable Airspace*.
27. 14 CFR Part 91, *General Operating and Flight Rules*.
28. 14 CFR Part 121, *Operating Requirements: Domestic, Flag, and Supplemental Operations*.
29. 14 CFR Part 139, *Certification and Operations: Land Airports Serving Certain Air Carriers*.
30. 14 CFR Part 151, *Federal Aid to Airports*

31. 14 CFR Part 152, *Airport Aid Program*.
32. 14 CFR Part 157, *Notice of Construction, Alteration, Activation, and Deactivation of Airports*.
33. FAA Order 1050.1 *Policies and Procedures for Considering Environmental Impacts*.
34. FAA Order 5050.4A, *Airport Environmental Handbook*.
35. FAA Order 7400.2, *Procedures for Handling Airspace Matters*.
36. FAA Order 8260.3, *United States Standard for Terminal Instrument Procedures (TERPS)*.
37. FAA Order 8260.42, *Helicopter Global Positioning System (GPS) Non-precision Approach Criteria*.
38. FAA Standard 405, *Standards for Aeronautical Surveys and Related Products*.
39. National Fire Protection Association (NFPA) Pamphlet 403, *Aircraft Rescue Services*.
40. NFPA Pamphlet 418, *Standards for Heliports*.
41. FAA Technical Report FAA/RD-84/25, *Evaluating Wind Flow Around Buildings on Heliport Placement*, National Technical Information Service (NTIS) accession number AD-A153512.
42. FAA Technical Report FAA/RD-92/15, *Potential Hazards of Magnetic Resonance Imagers to Emergency Medical Service Helicopter Services*, National Technical Information Service (NTIS), accession number AD-A278877.
43. Annex 14 – Aerodromes. *The Convention on International Civil Aviation*

APPENDIX 5. ACRONYMS

AC	advisory circular
AGL	above ground level
AIM	Aeronautical Information Manual
ATC	air traffic control
ATCT	air traffic control tower
AWOS	automated weather observing system
AZ	azimuth
CFR	Code of Federal Regulations
dB	decibel
DH	decision height
DNL	Day/Night Average Sound Level
DWP	decision waypoint
E-L	electroluminescent
EMS	emergency medical service
EPNL	Effective Perceived Noise Level
FAA	Federal Aviation Administration
FAF	final approach fix
FARA	final approach reference area
FATO	final approach and takeoff area
FCC	Federal Communications Commission
FIG	figure
FTE	flight technical error
GA	General Aviation
GPI	glide path indicator
GPI	ground point of intercept
GPS	global positioning system
GVGI	generic visual glideslope indicator
H	identification symbol for marking the TLOF
HALS	heliport approach lighting system
HF	high frequency
HIGE	hover in ground effect
HILS	heliport instrument lighting system
HLP	heliport layout plan
HNM	Heliport Noise Model
HOGE	hover out-of-ground effect
H/V	height/velocity
HRP	heliport reference point
IFR	instrument flight rules
IGE	in ground effect
IMC	instrument meteorological conditions
kg/m ²	kilograms per square meter
lbs	pounds
lb/ft ²	pound per square foot
LED	light emitting diode
m	meter
MAP	missed approach point
MAWP	missed approach waypoint
MDA	minimum descent altitude
MRI	magnetic resonance imager
MSL	mean sea level

NAS	National Airspace System
NAVAID	navigational aid
NEPA	National Environmental Policy Act
NFPA	National Fire Protection Association
nm	nautical mile
OGE	out of ground effect
OIS	obstacle identification surface
OL	overall length of the design helicopter
OSHA	Occupational Safety and Health Administration
PAPI	precision approach path indicator
PCC	Portland Cement Concrete
PLV	powered-lift vehicle
PPR	prior permission required
RD	rotor diameter of the design helicopter
sm	statute mile
STOL	short takeoff and landing
TERPS	terminal instrument procedures
TLOF	touchdown and liftoff area
TW	taxiway
UC	maximum undercarriage dimension of the design helicopter
UNICOM	frequencies authorized for aeronautical advisory services to private aircraft
USA	United States of America
VFR	visual flight rules
VFTE	vertical flight technical error
VGI	visual glideslope indicator
VMC	visual meteorological conditions
VSDA	visual segment descent angle
VSRL	visual segment reference line
VTOL	vertical takeoff and landing