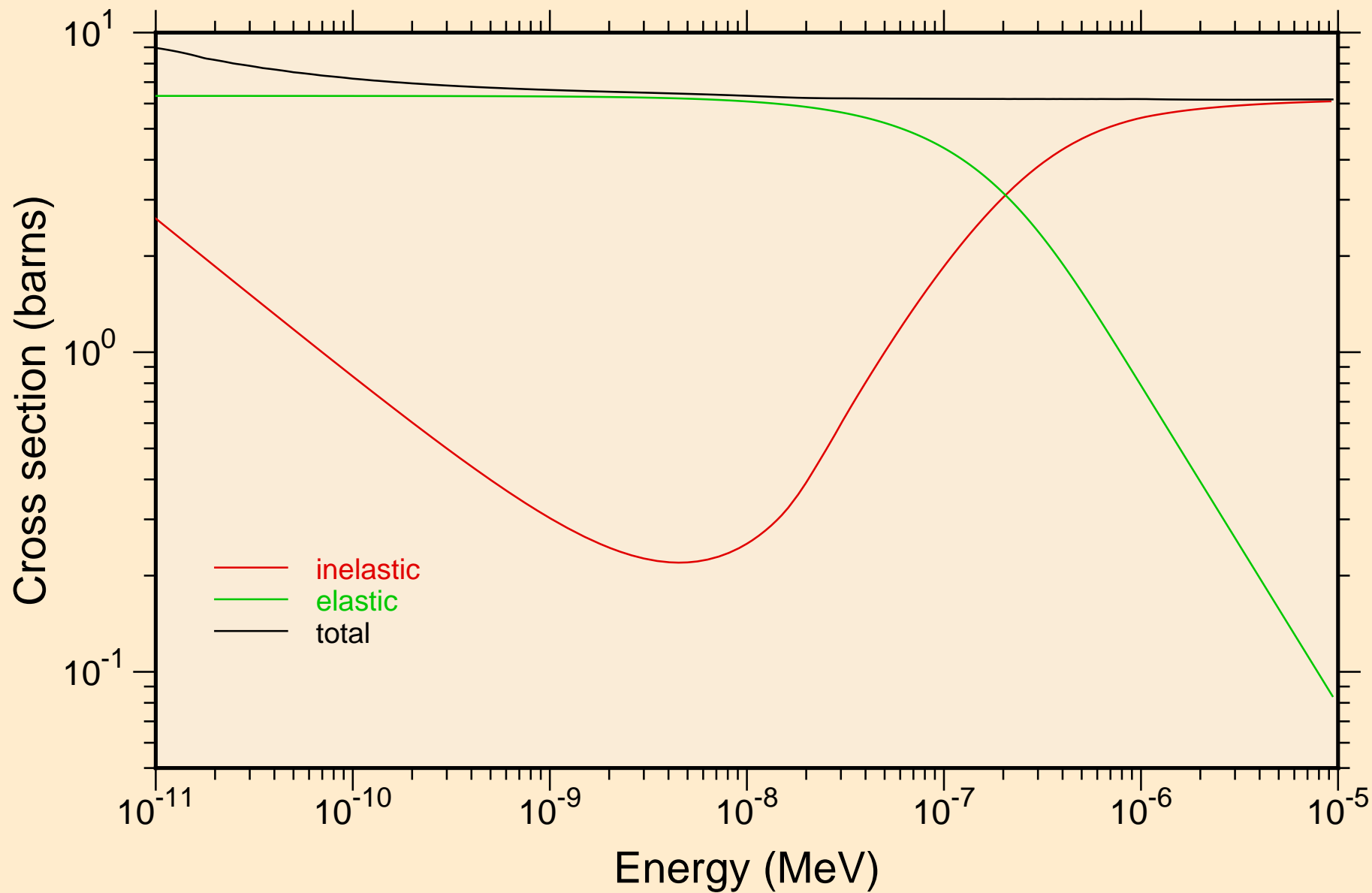
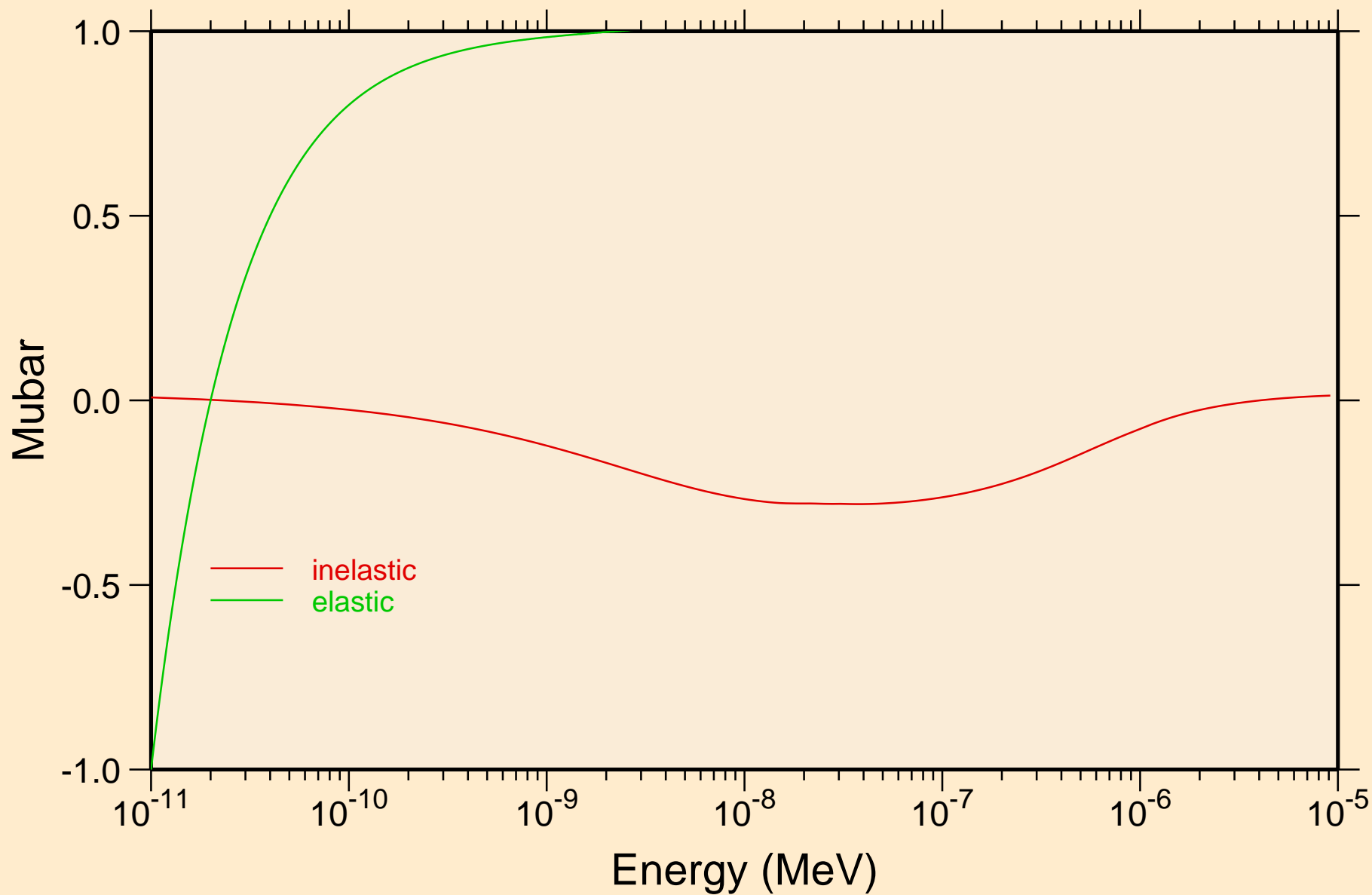


ZR(ZRH) AT 293.6K FROM ENDF/B-VII

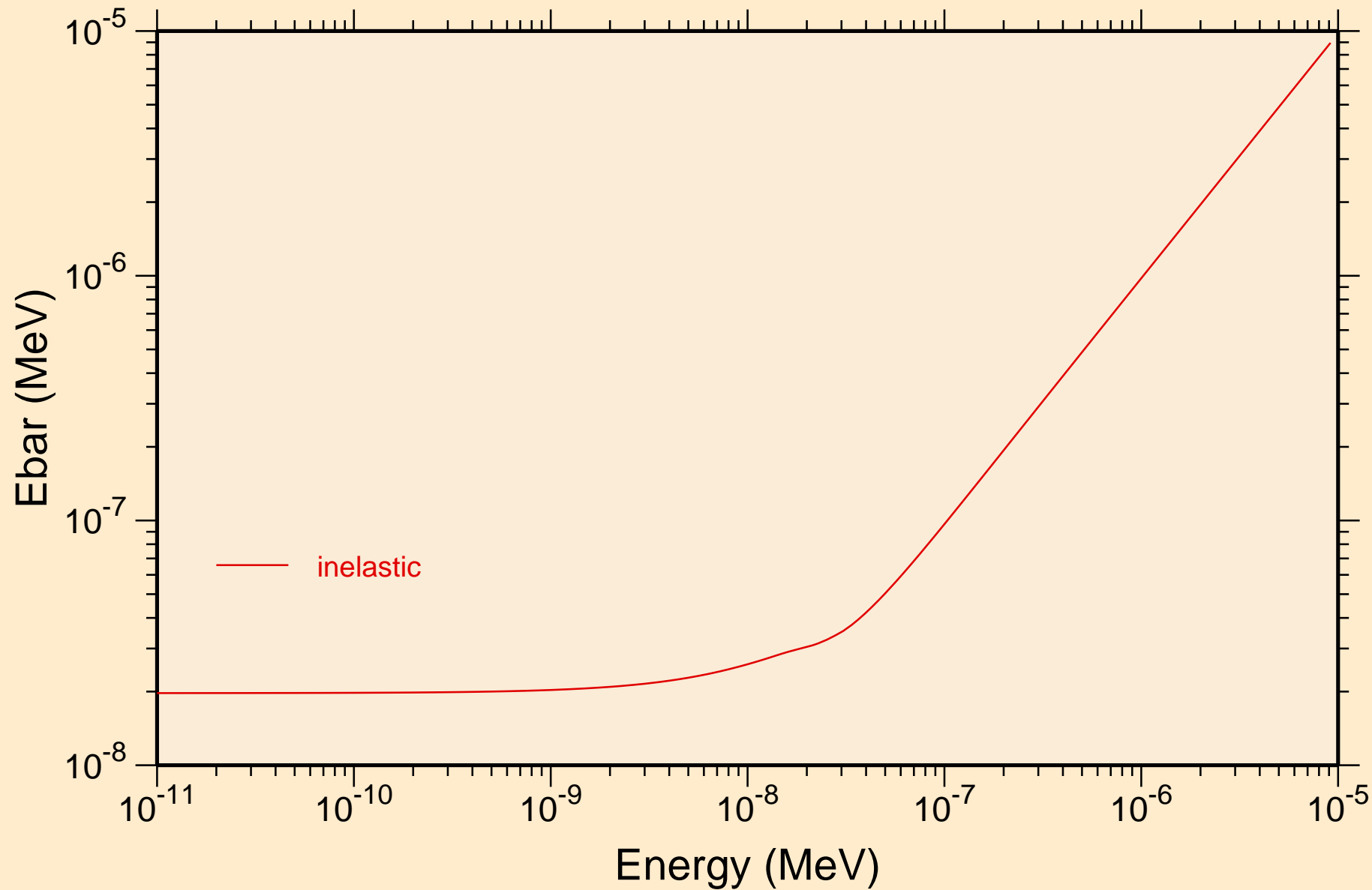
Thermal cross sections



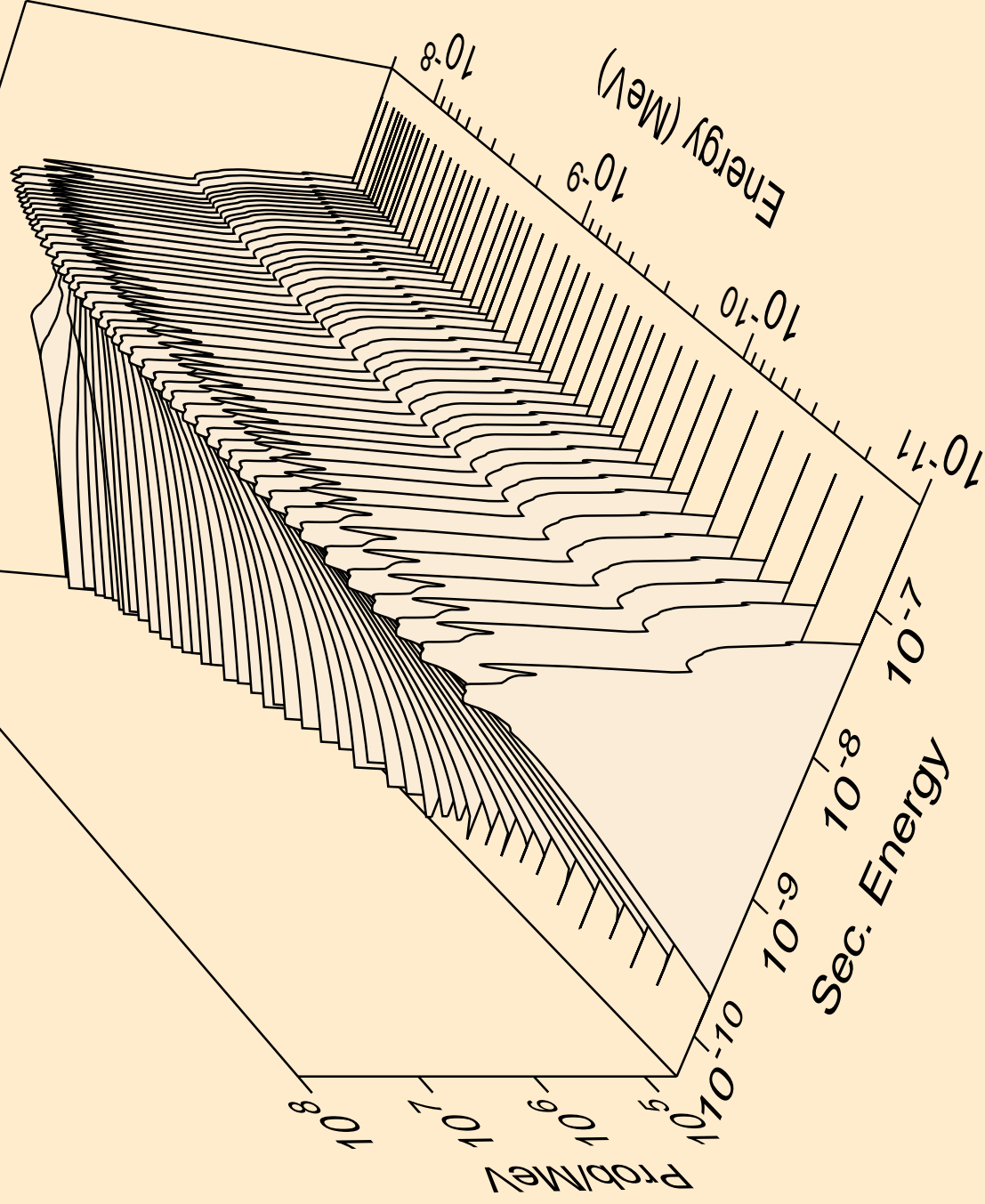
ZR(ZRH) AT 293.6K FROM ENDF/B-VII
Thermal mubar



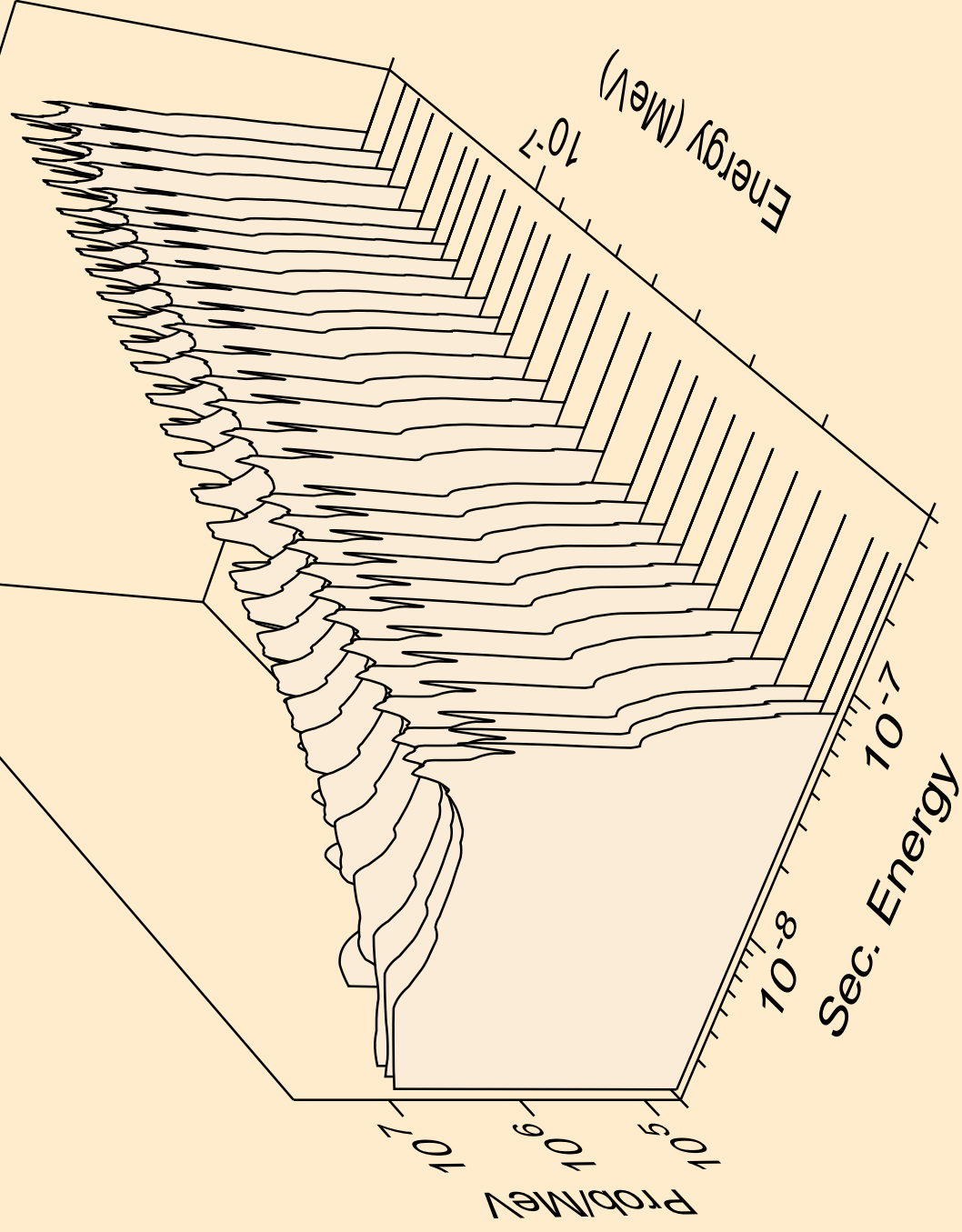
ZR(ZRH) AT 293.6K FROM ENDF/B-VII
Thermal ebar



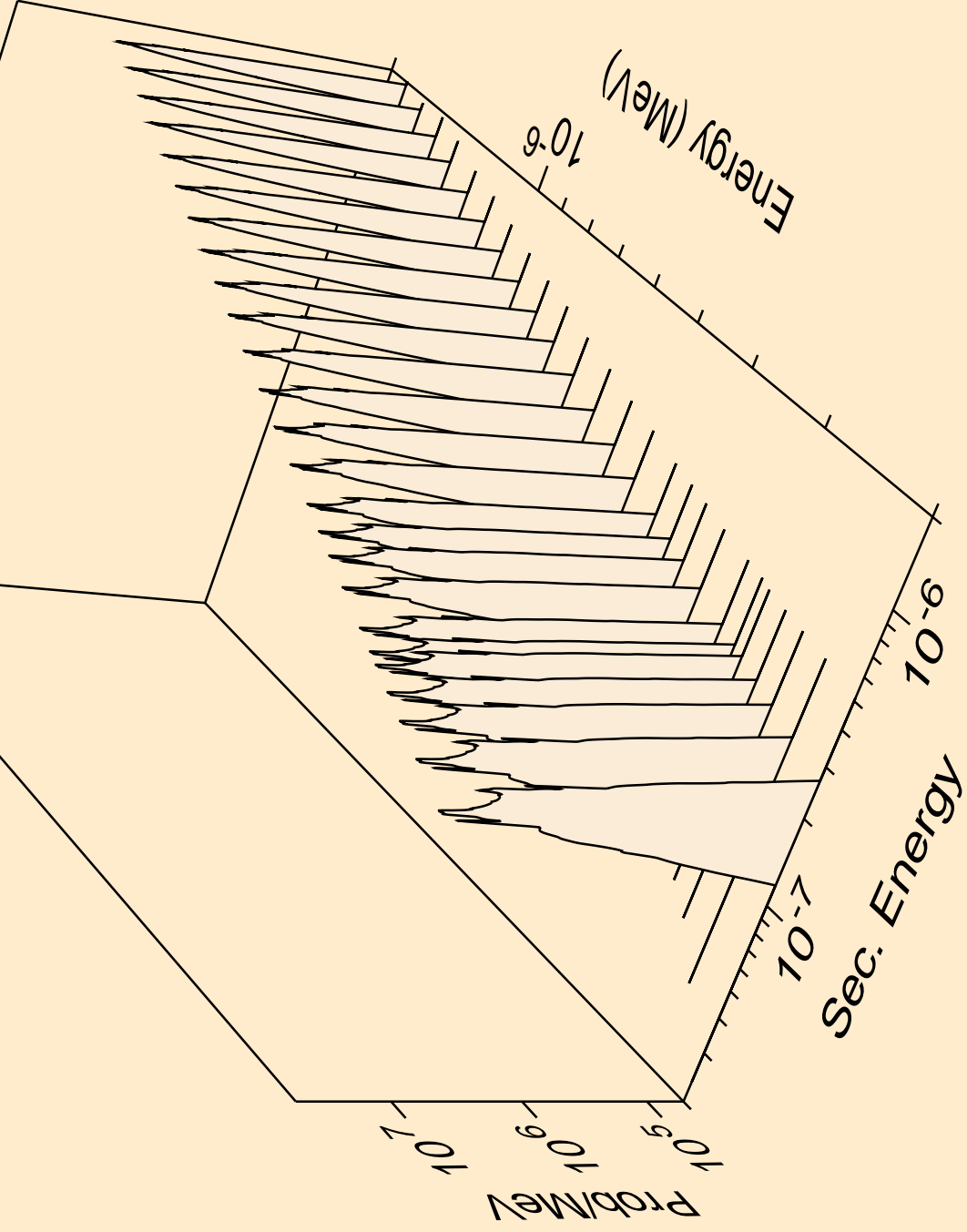
ZR(ZRH) AT 293.6K FROM ENDF/B-VII
thermal inelastic



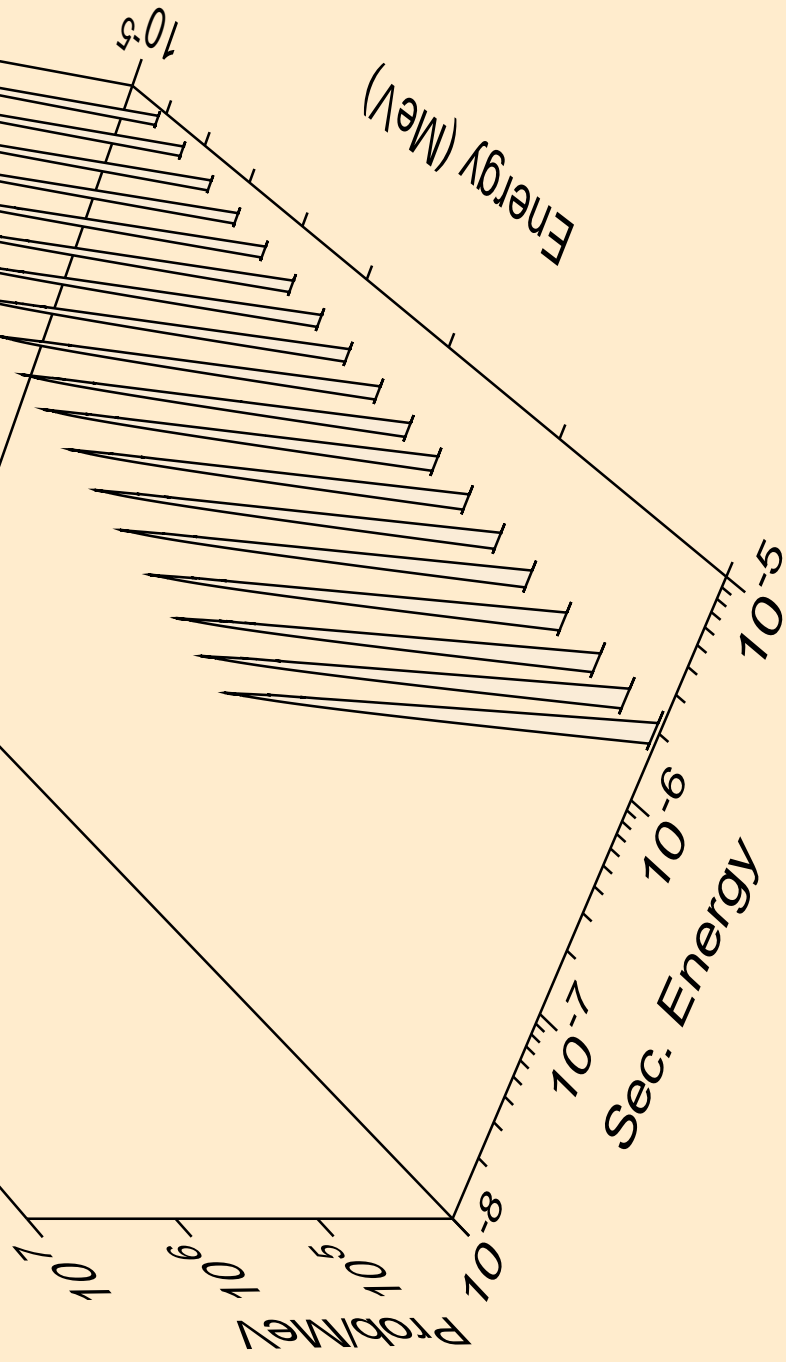
ZR(ZRH) AT 293.6K FROM ENDF/B-VII
thermal inelastic



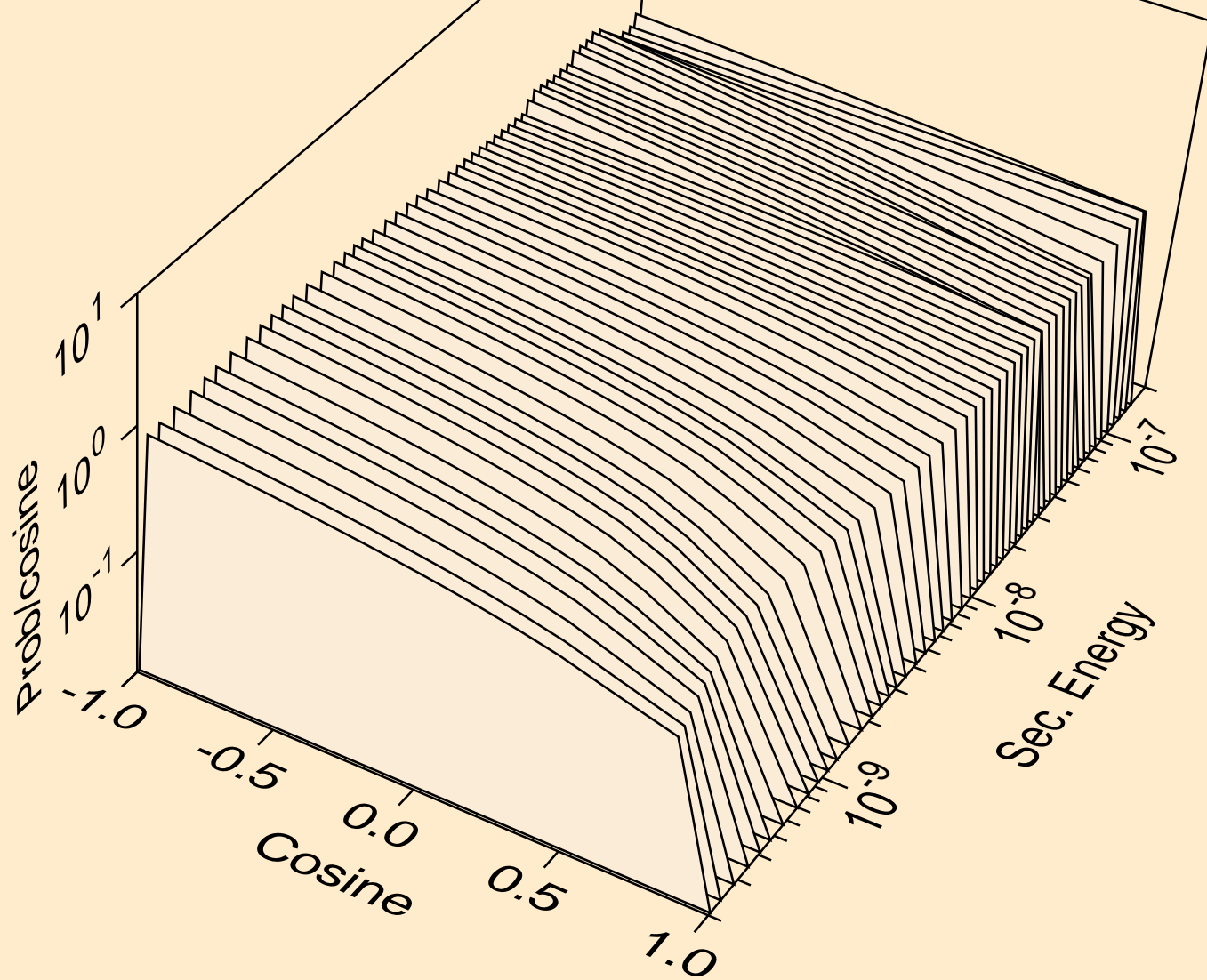
ZR(ZRH) AT 293.6K FROM ENDF/B-VII
thermal inelastic



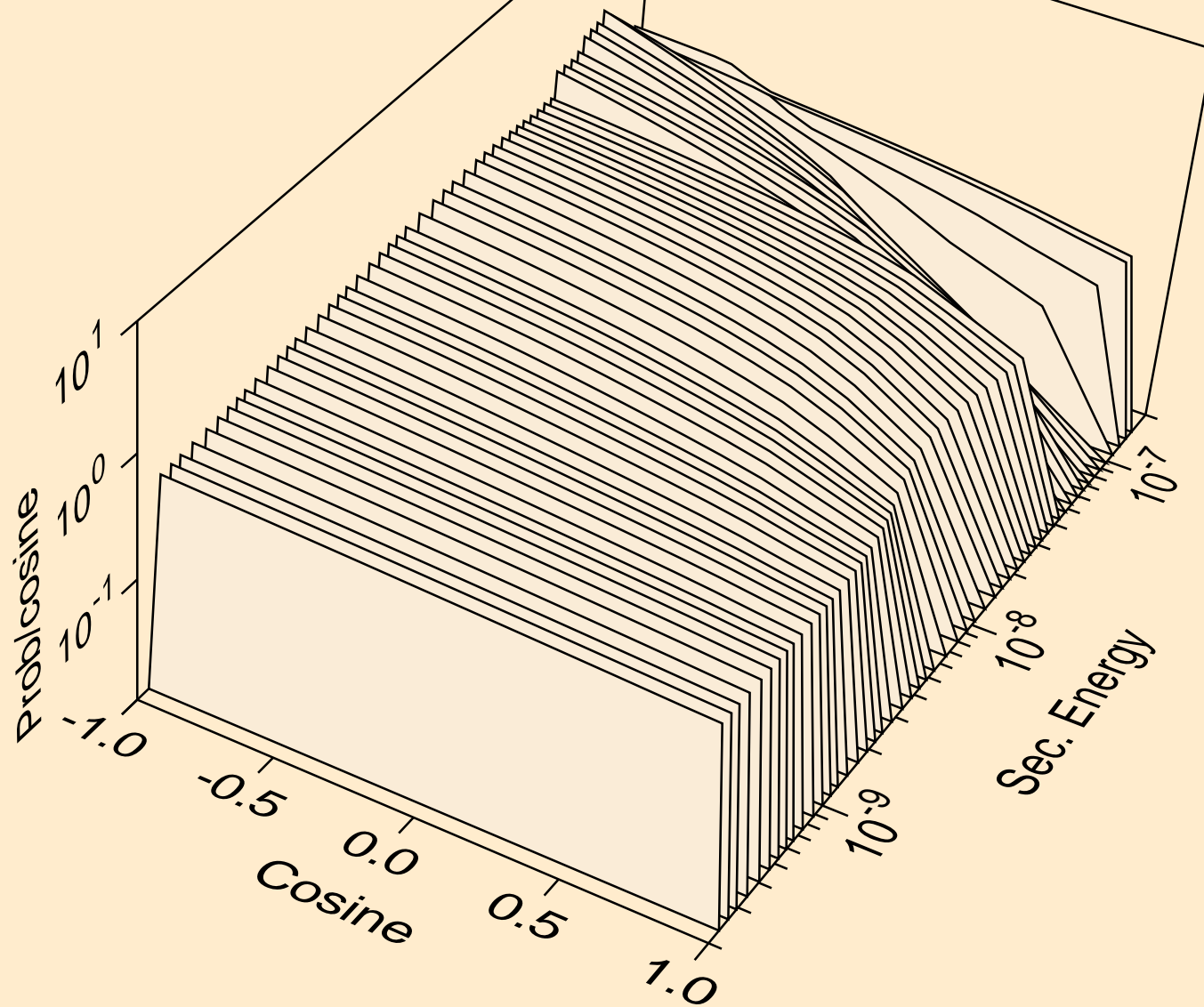
ZR(ZRH) AT 293.6K FROM ENDF/B-VII
thermal inelastic



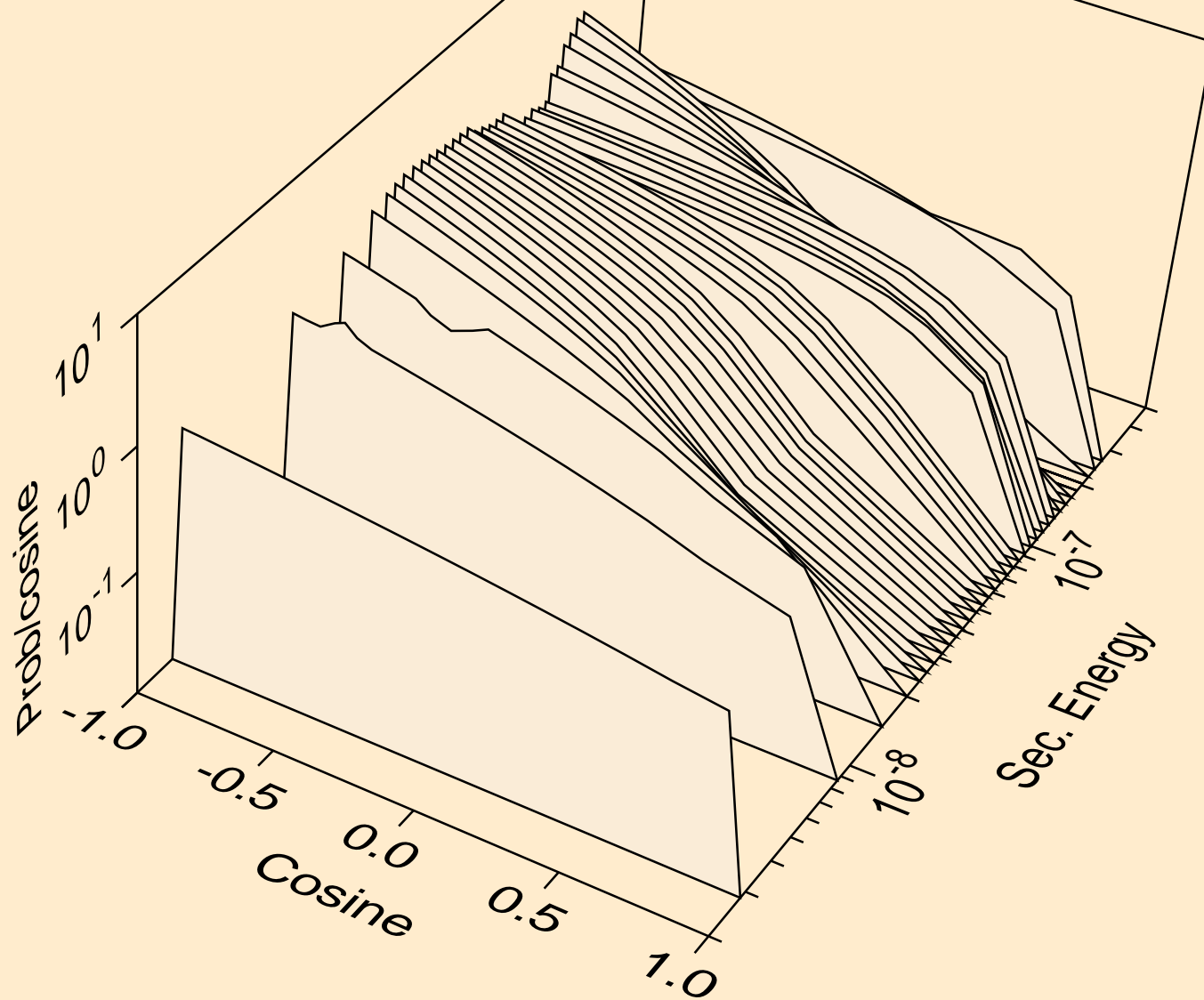
ZR(ZRH) AT 293.6K FROM ENDF/B-VII
thermal inelastic for $e = 1.012 \times 10^{-9}$ MeV



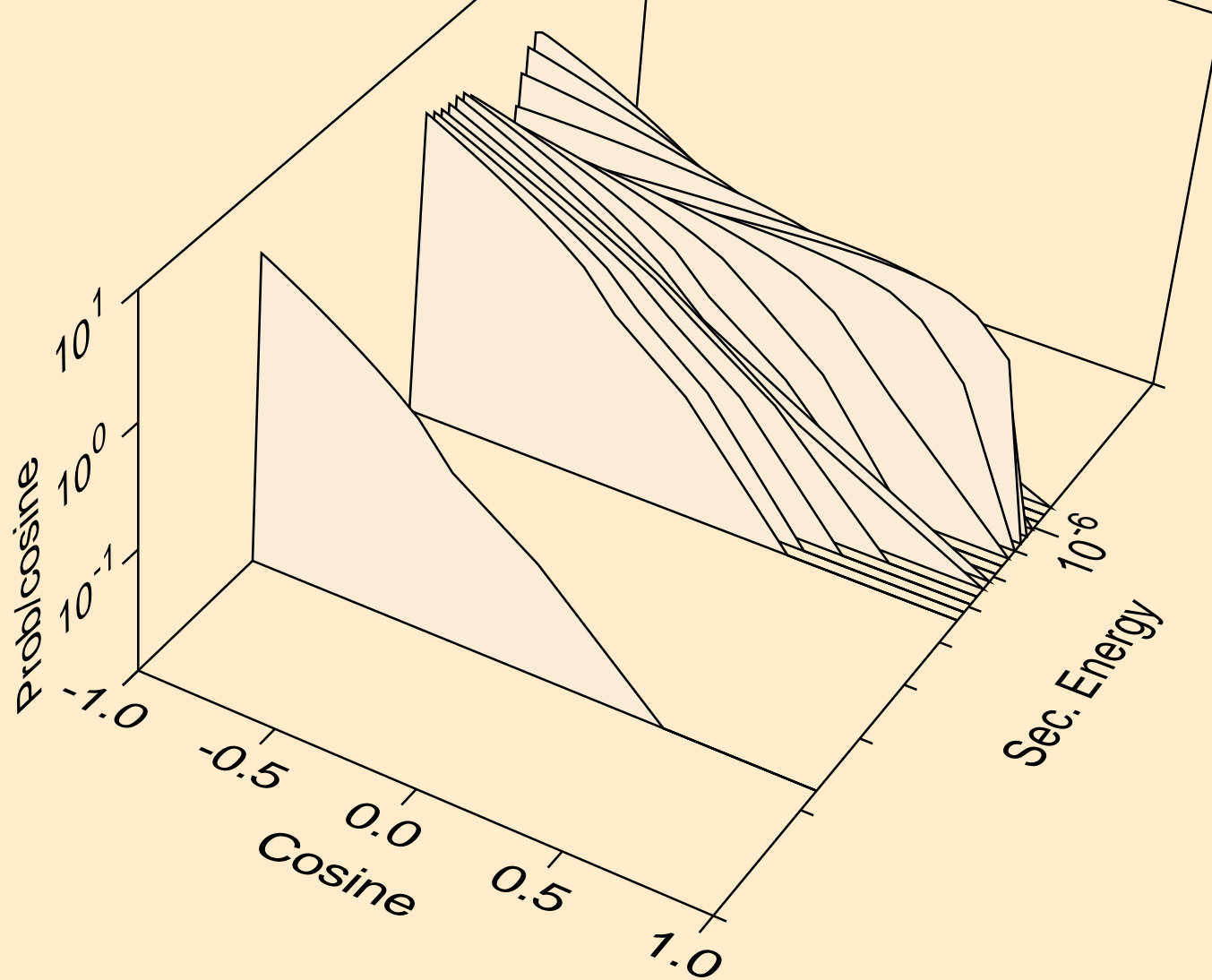
ZR(ZRH) AT 293.6K FROM ENDF/B-VII
thermal inelastic for $e = 1.619 \times 10^{-8}$ MeV



ZR(ZRH) AT 293.6K FROM ENDF/B-VII
thermal inelastic for $e = 1.200E-07$ MeV



ZR(ZRH) AT 293.6K FROM ENDF/B-VII
thermal inelastic for $e = 9.500E-07$ MeV



ZR(ZRH) AT 293.6K FROM ENDF/B-VII
thermal inelastic for e= 8.400E-06 MeV

