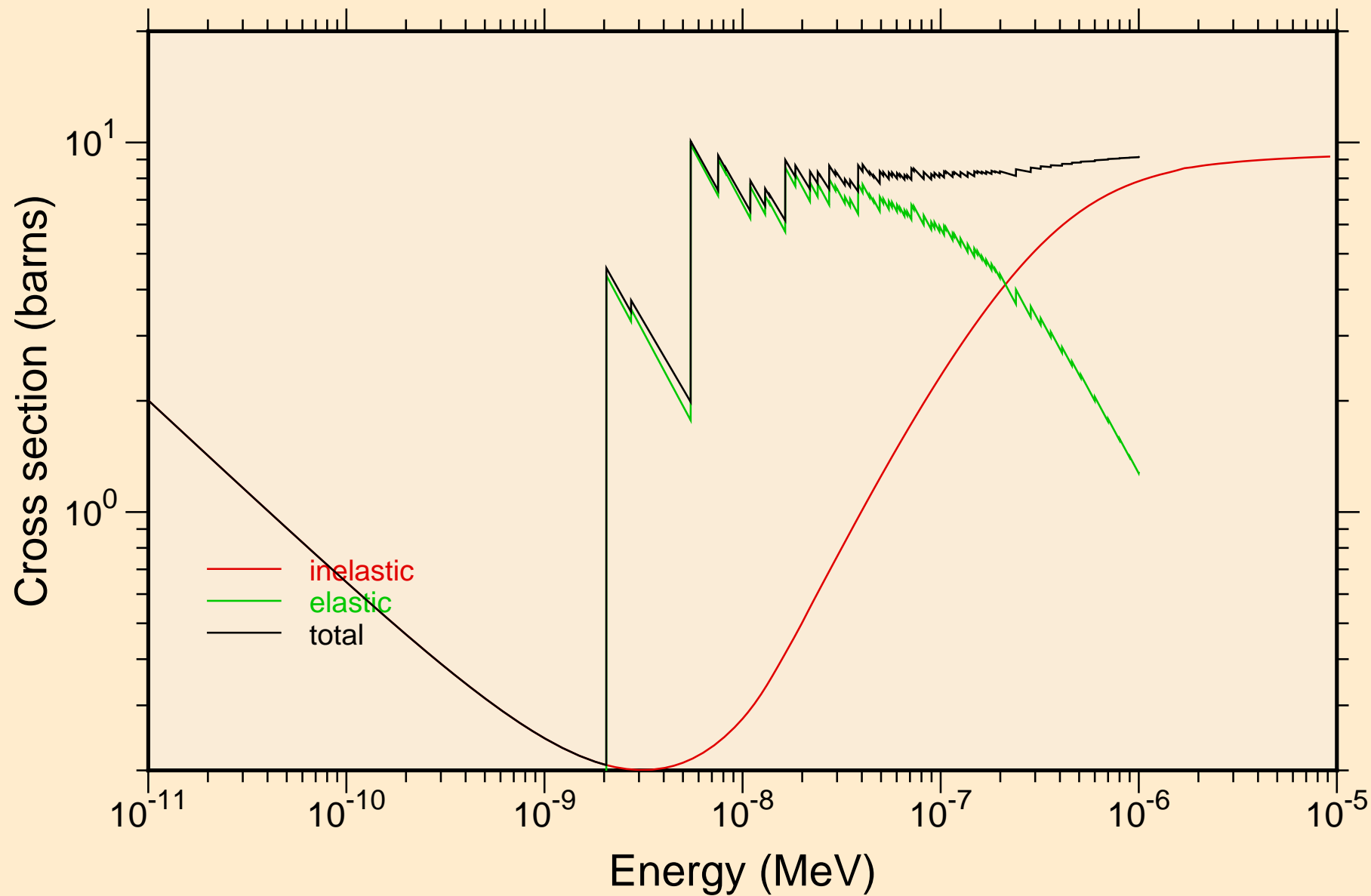
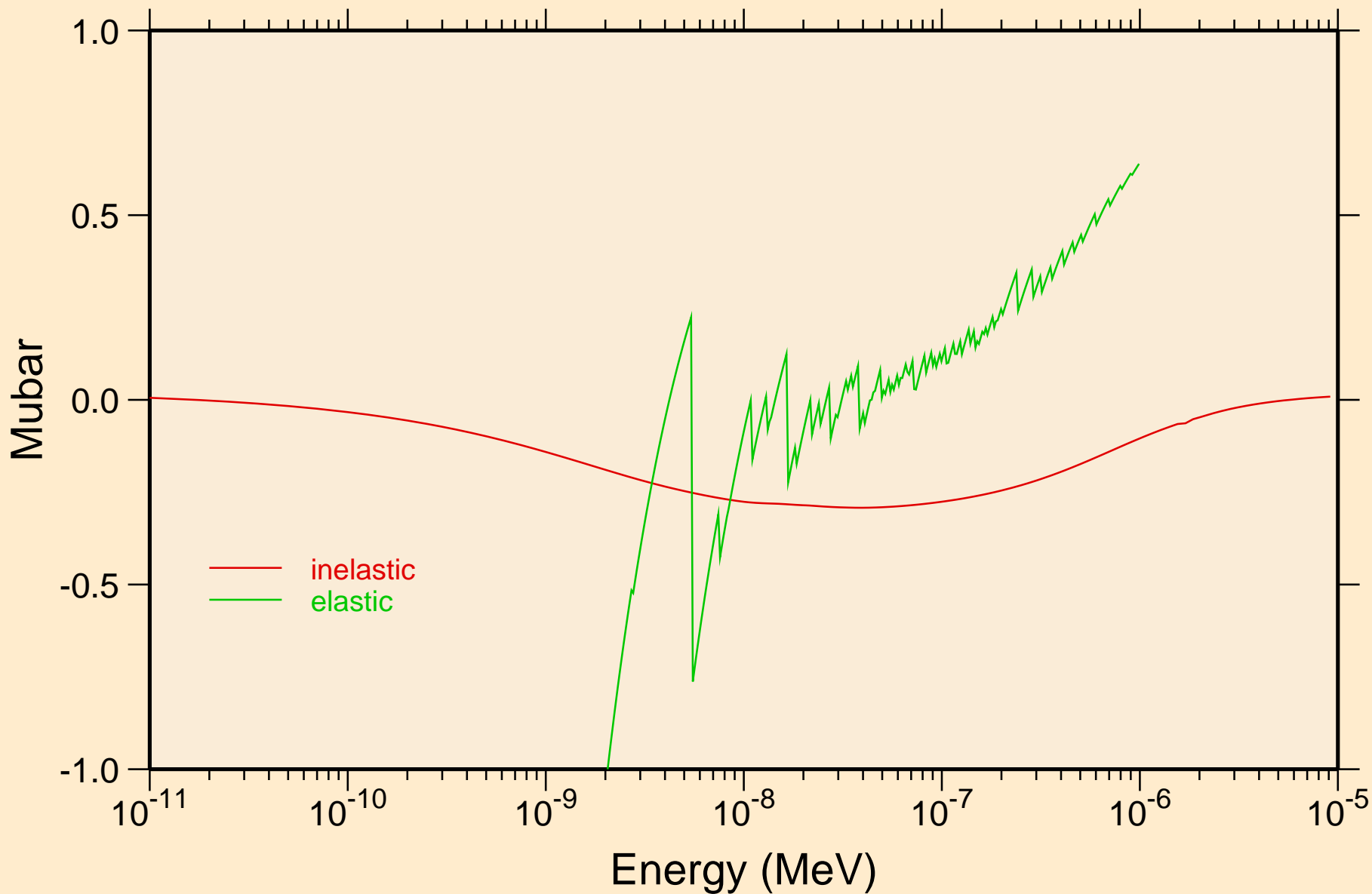


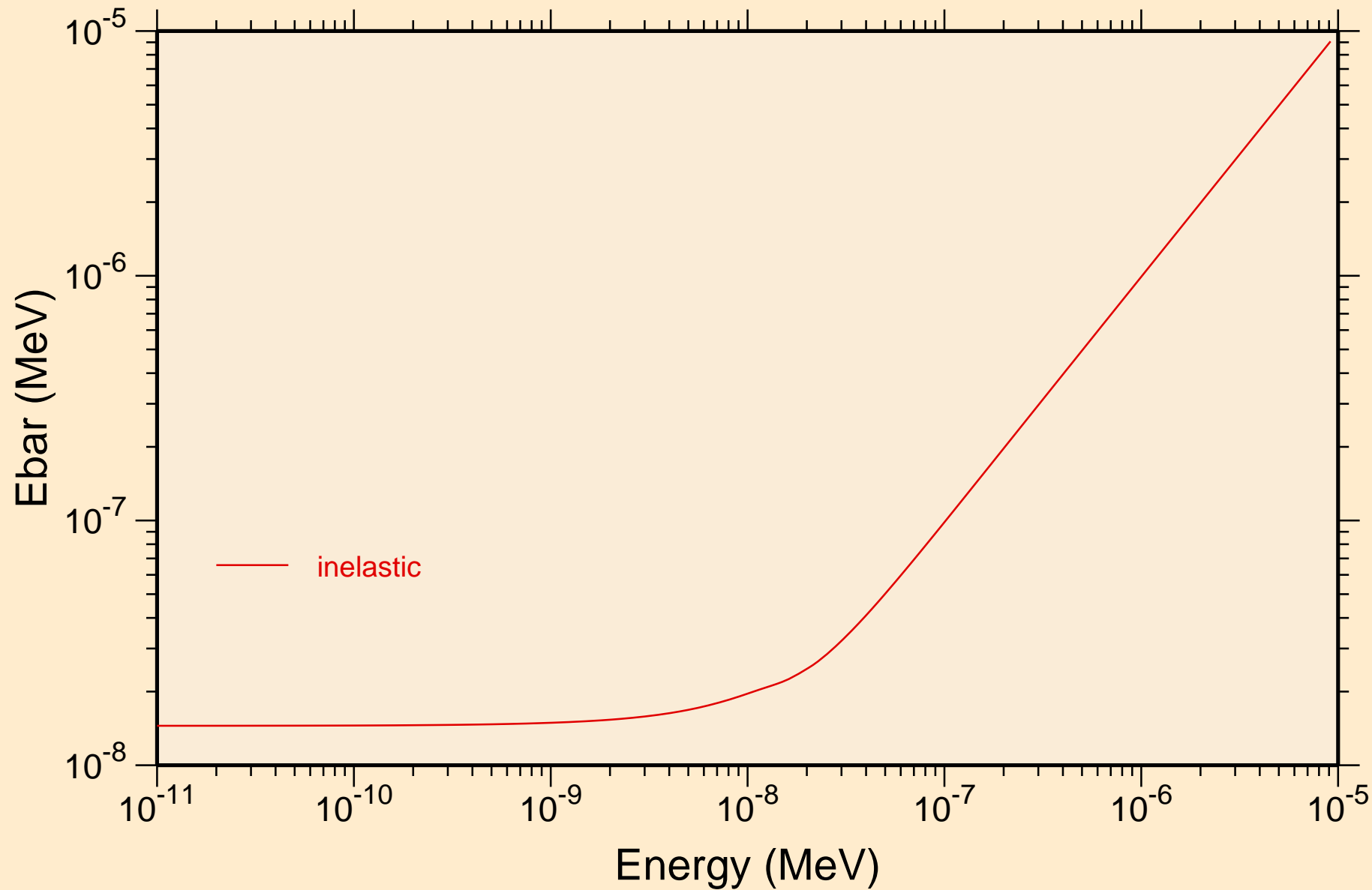
U(UO2) AT 293.6K FROM ENDF/B-VII
Thermal cross sections



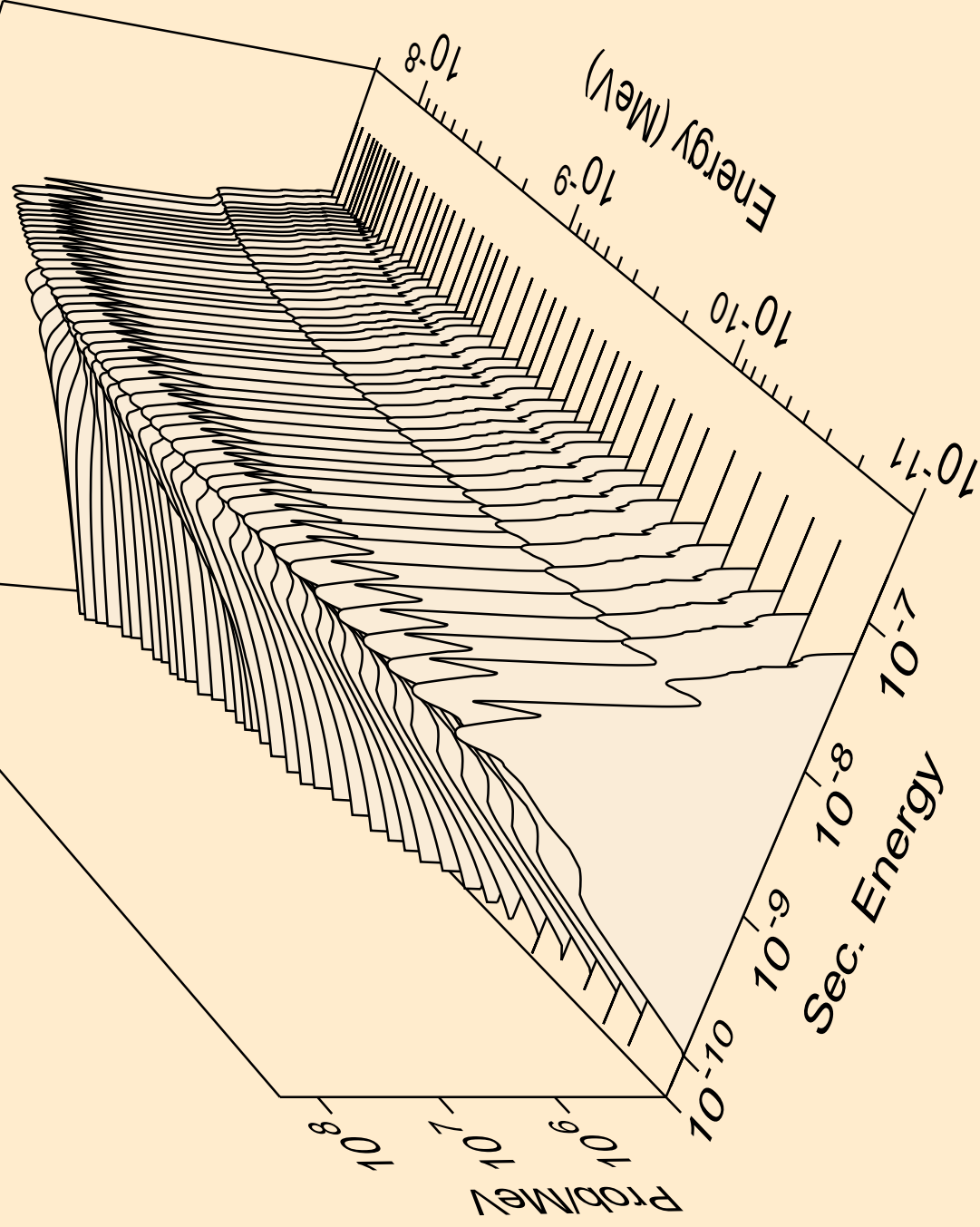
U(UO2) AT 293.6K FROM ENDF/B-VII
Thermal mubar



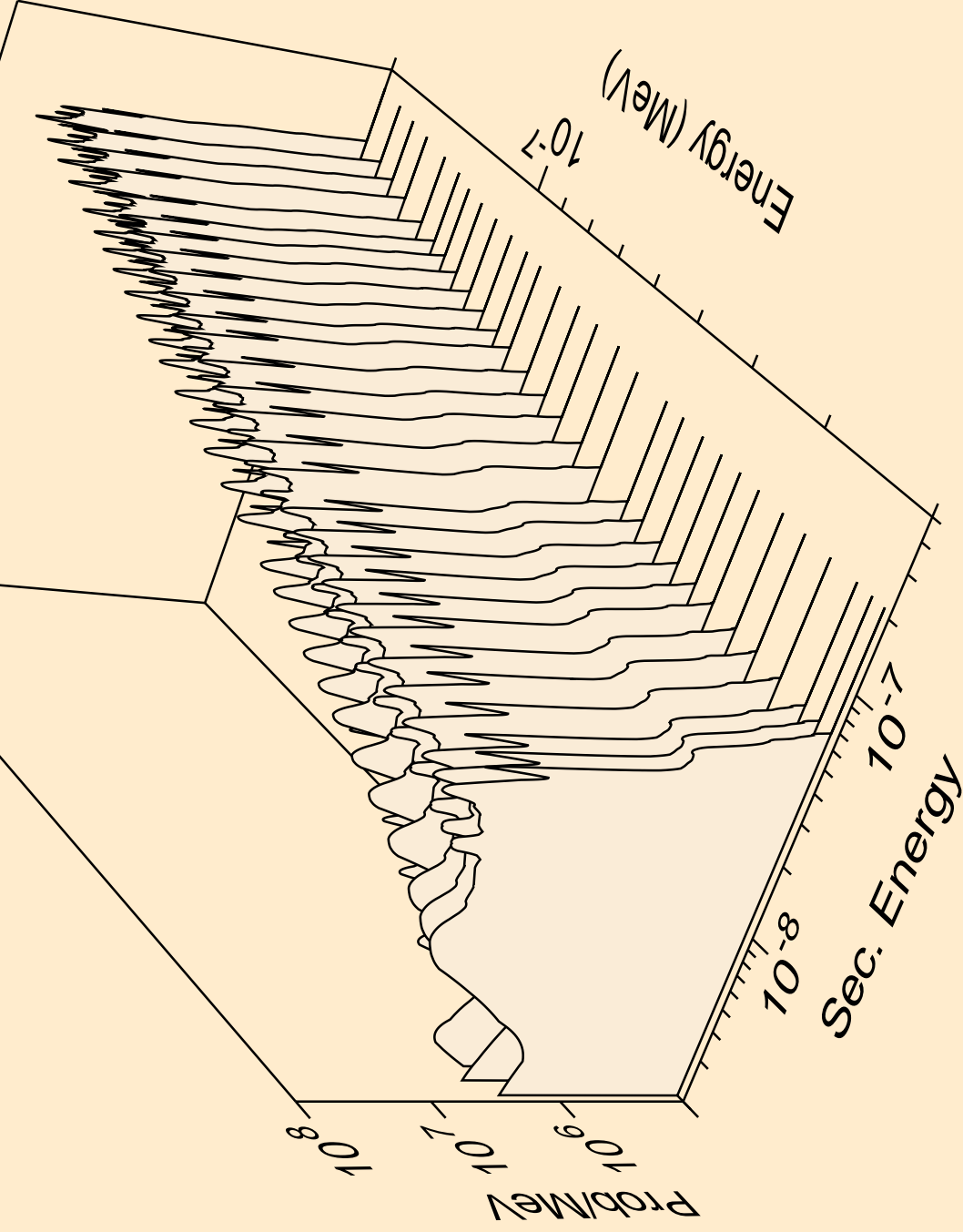
U(UO2) AT 293.6K FROM ENDF/B-VII
Thermal ebar



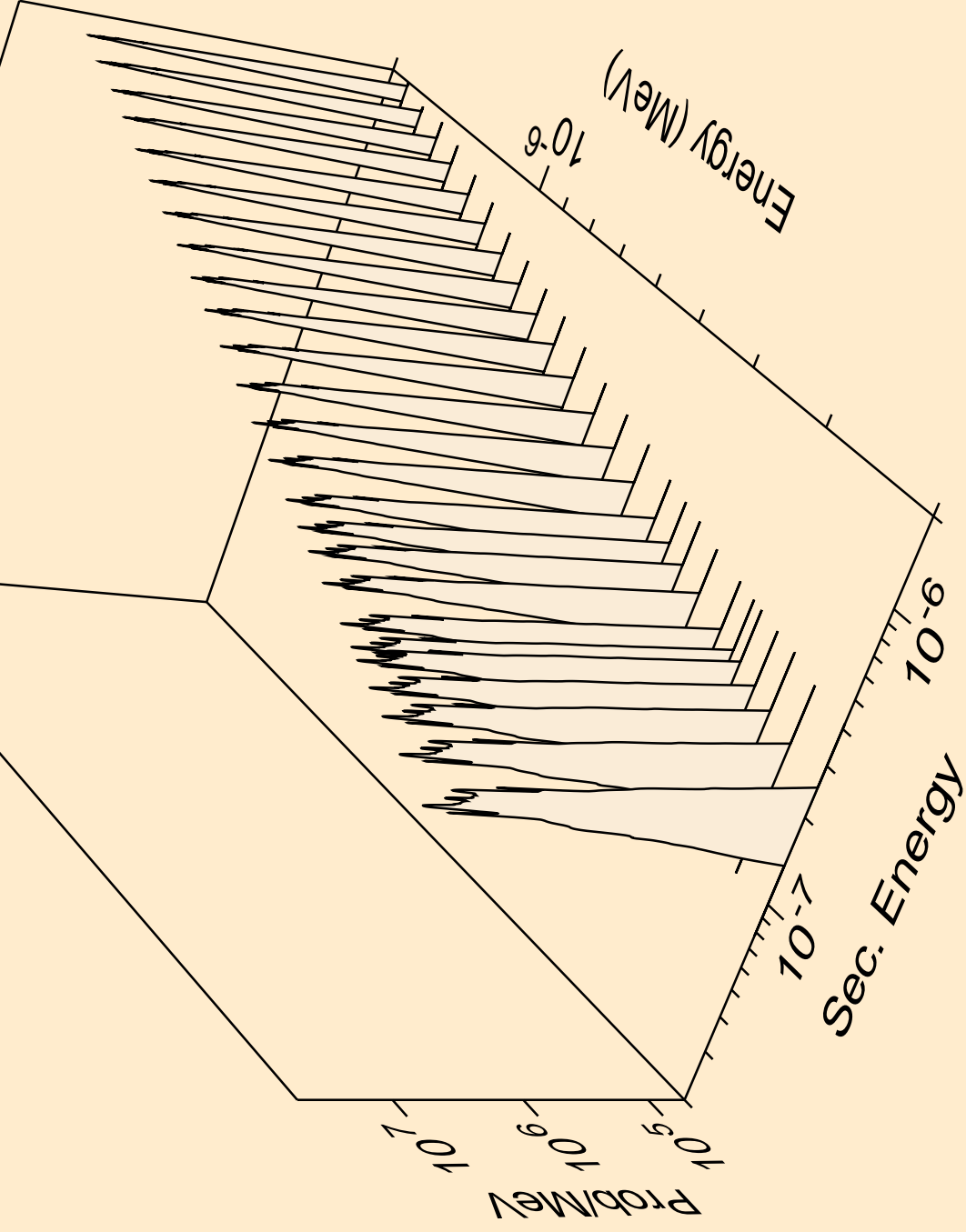
U(UO2) AT 293.6K FROM ENDF/B-VII
thermal inelastic



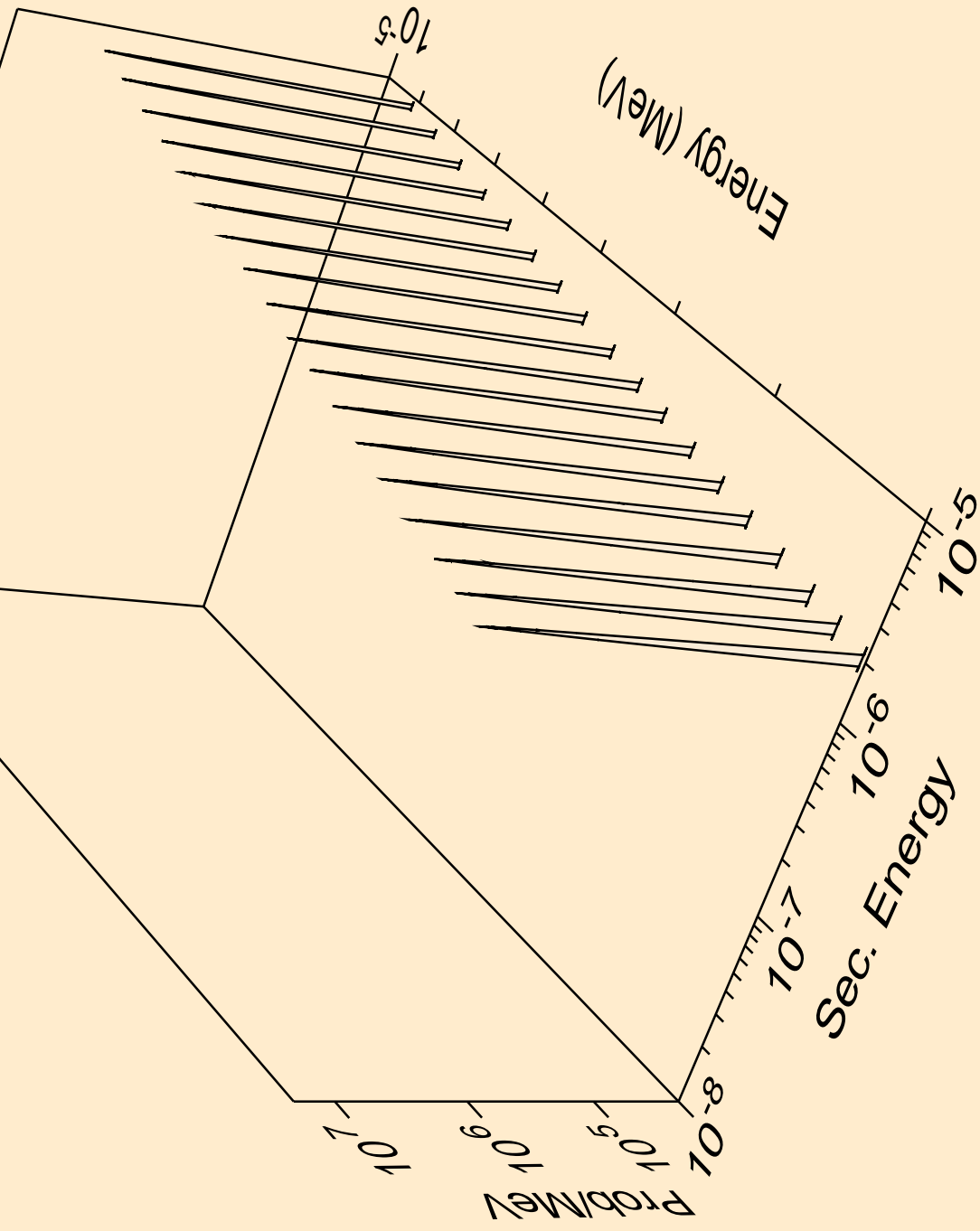
U(UO2) AT 293.6K FROM ENDF/B-VII
thermal inelastic



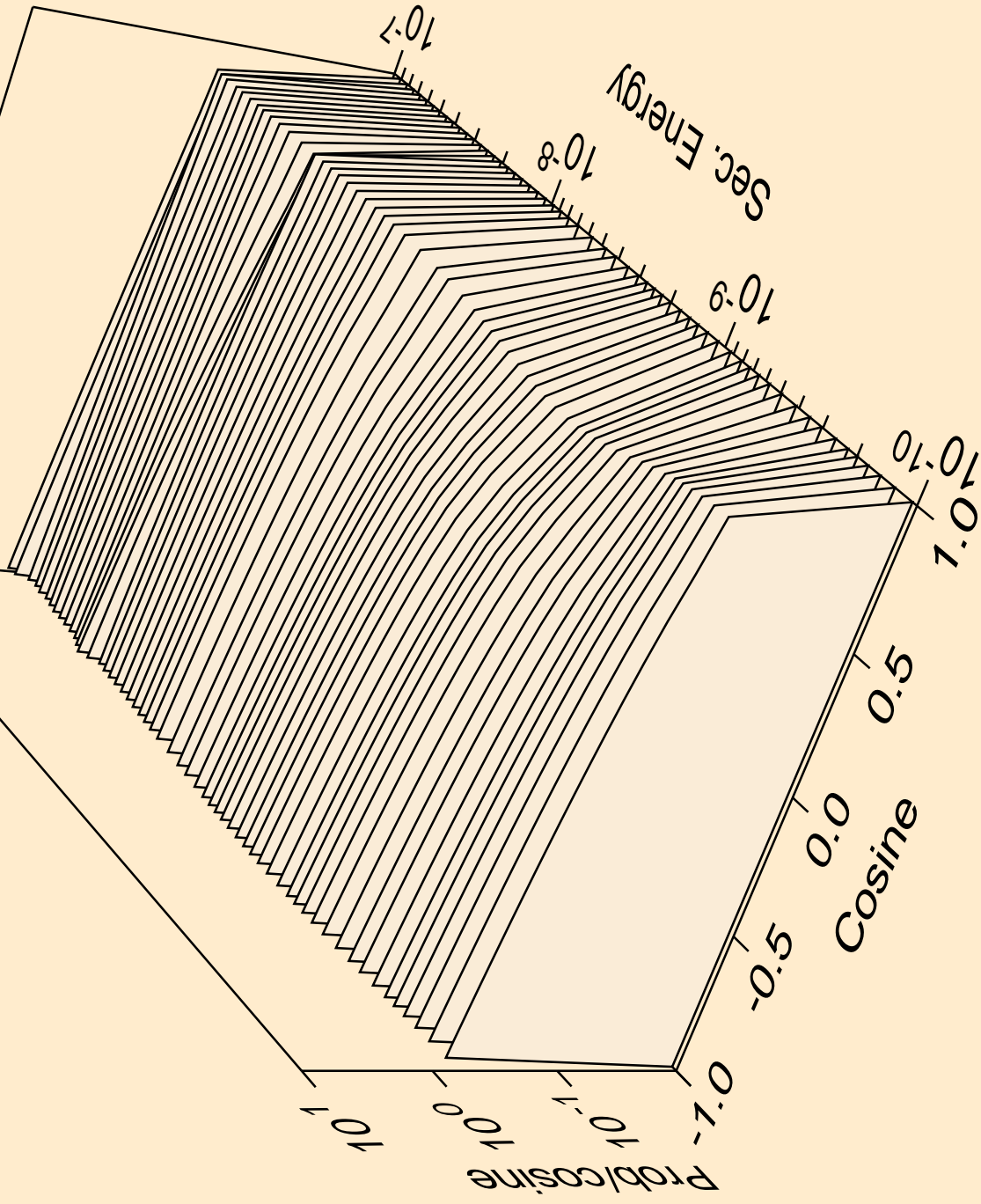
U(UO₂) AT 293.6K FROM ENDF/B-VII
thermal inelastic



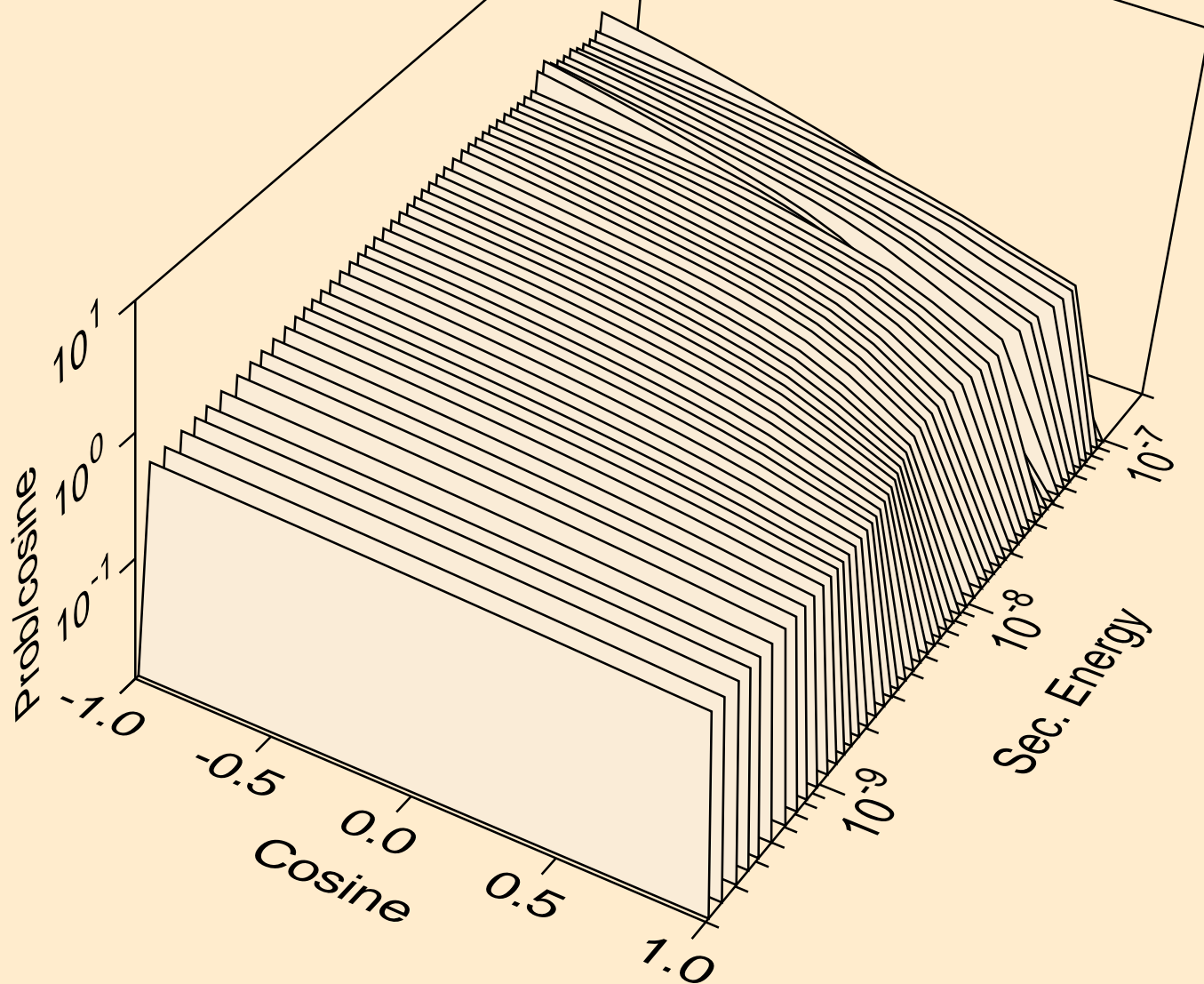
U(UO2) AT 293.6K FROM ENDF/B-VII
thermal inelastic



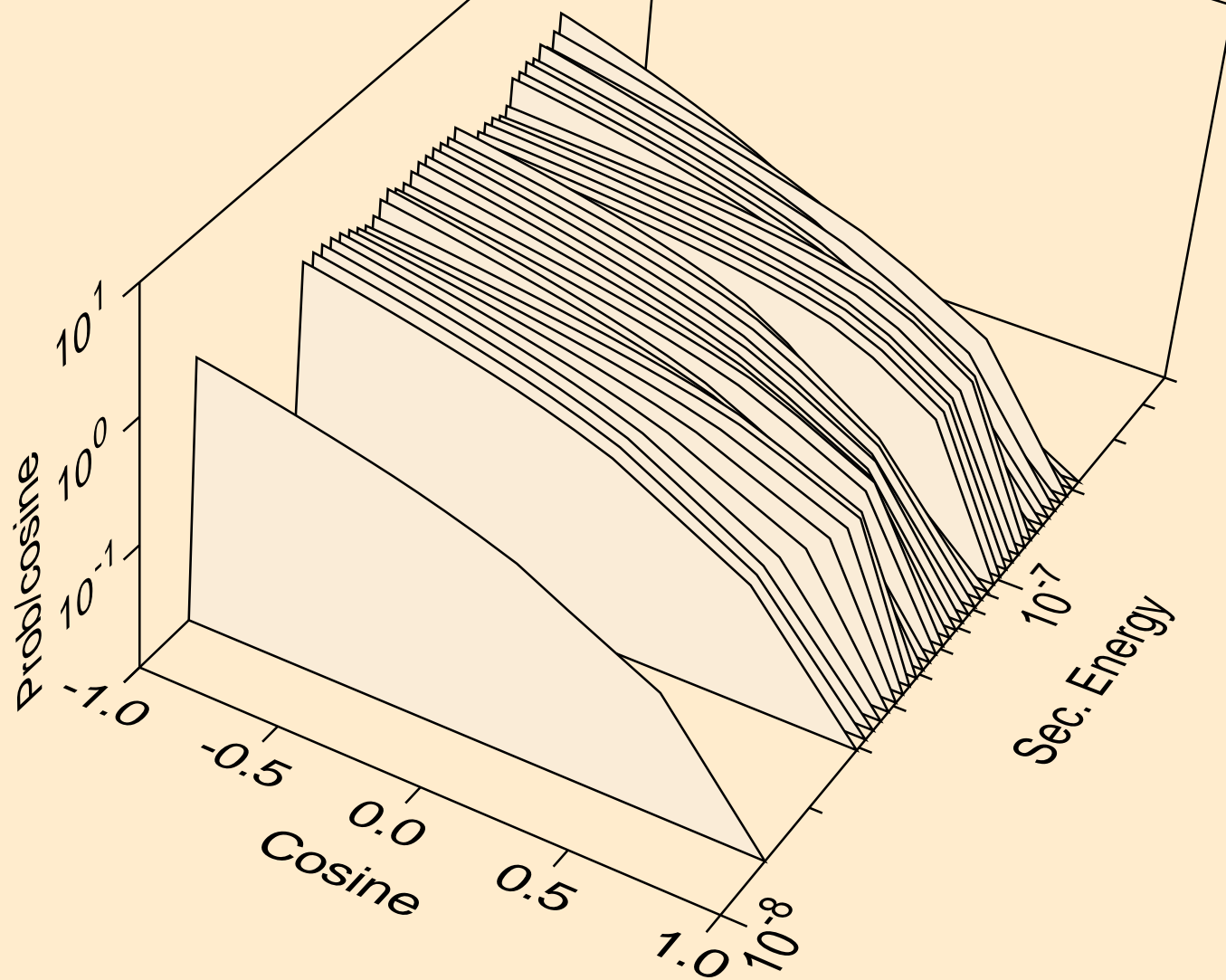
U(UO2) AT 293.6K FROM ENDF/B-VII
thermal inelastic for e= 1.012E-09 MeV



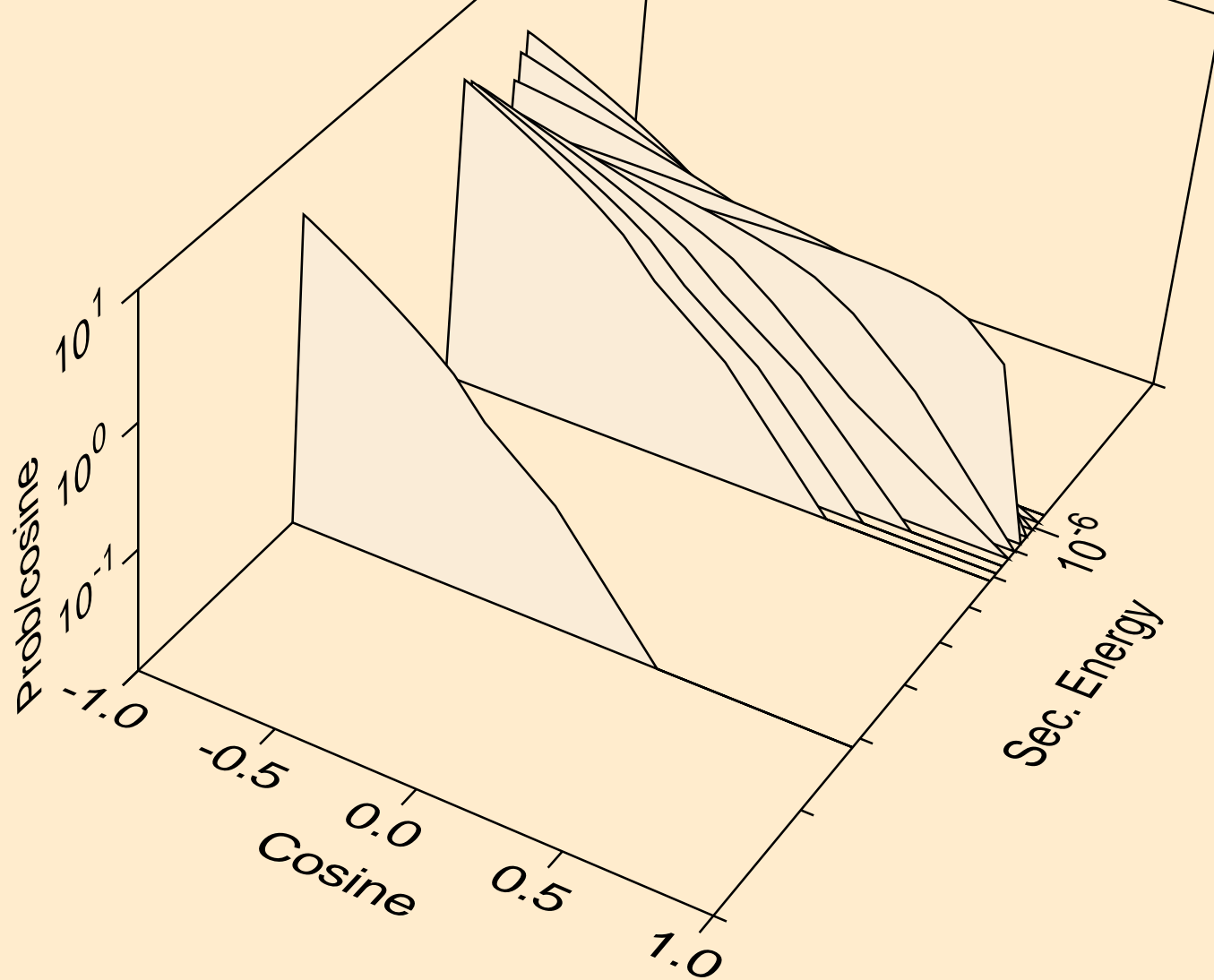
U(UO2) AT 293.6K FROM ENDF/B-VII
thermal inelastic for $e = 1.619 \times 10^{-8}$ MeV



U(UO₂) AT 293.6K FROM ENDF/B-VII
thermal inelastic for e= 1.200E-07 MeV



U(UO2) AT 293.6K FROM ENDF/B-VII
thermal inelastic for $e = 9.500E-07$ MeV



U(UO2) AT 293.6K FROM ENDF/B-VII
thermal inelastic for $e = 8.400E-06$ MeV

