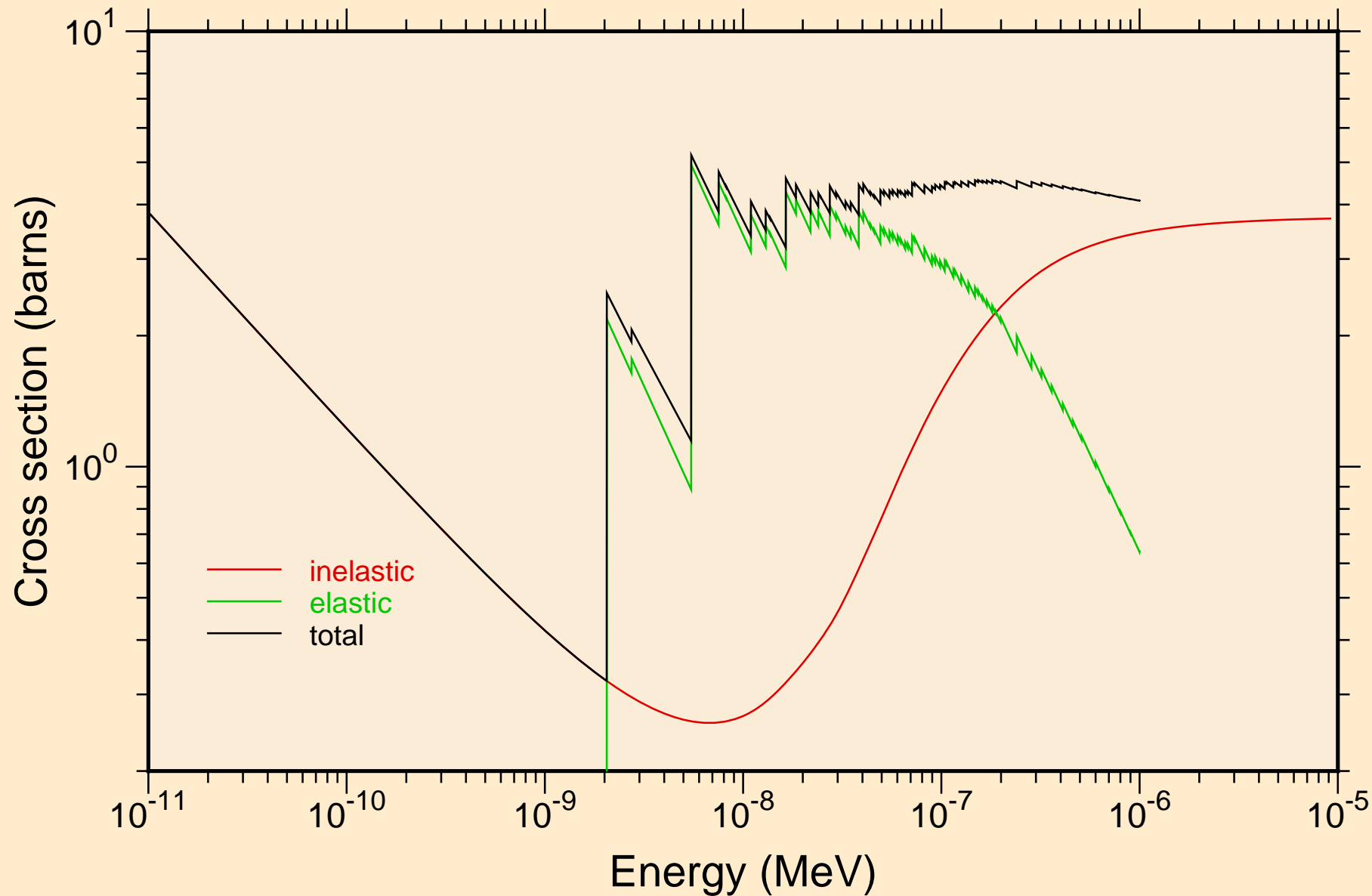
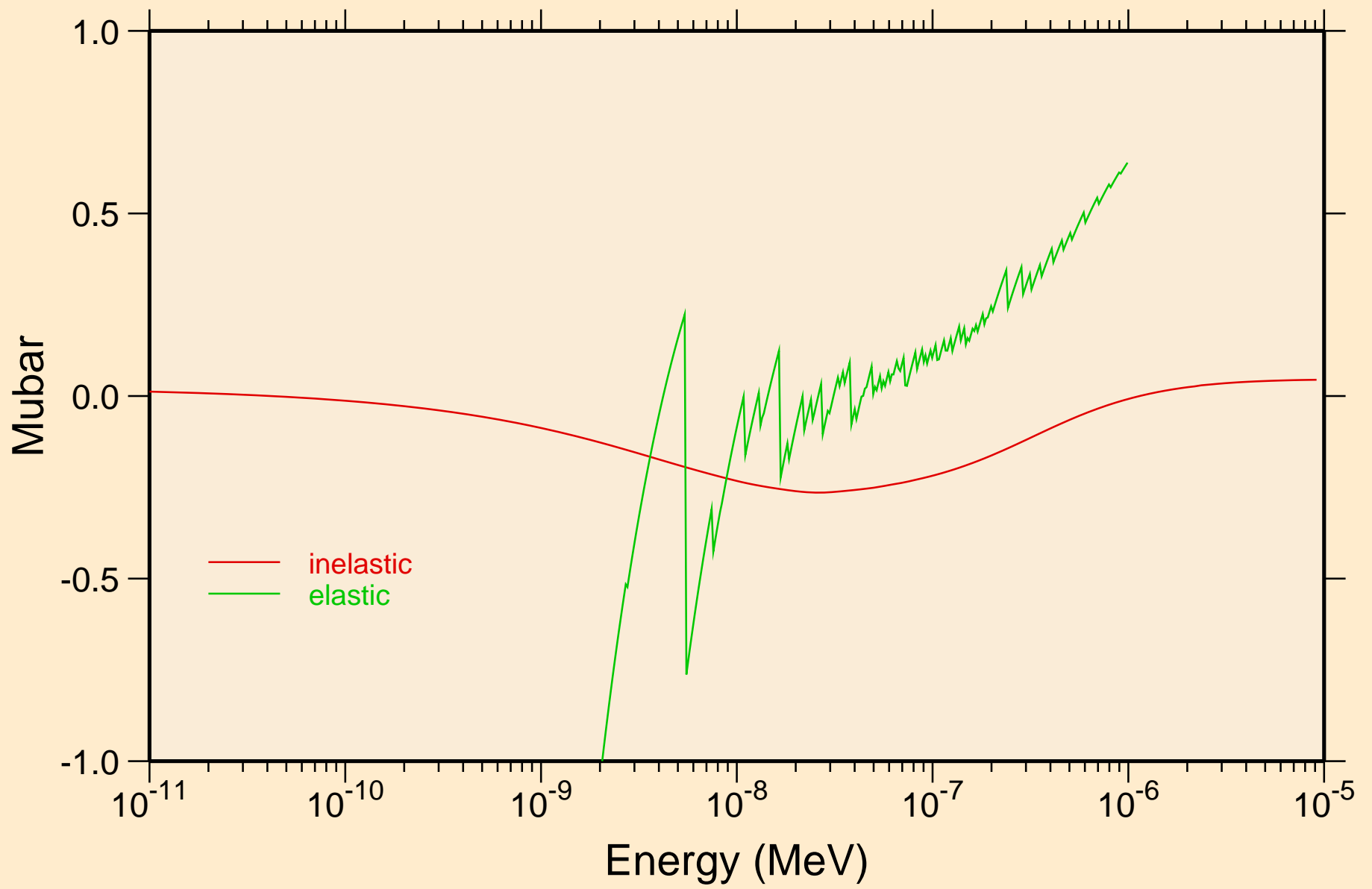


# O(UO2) AT 293.6K FROM ENDF/B-VII

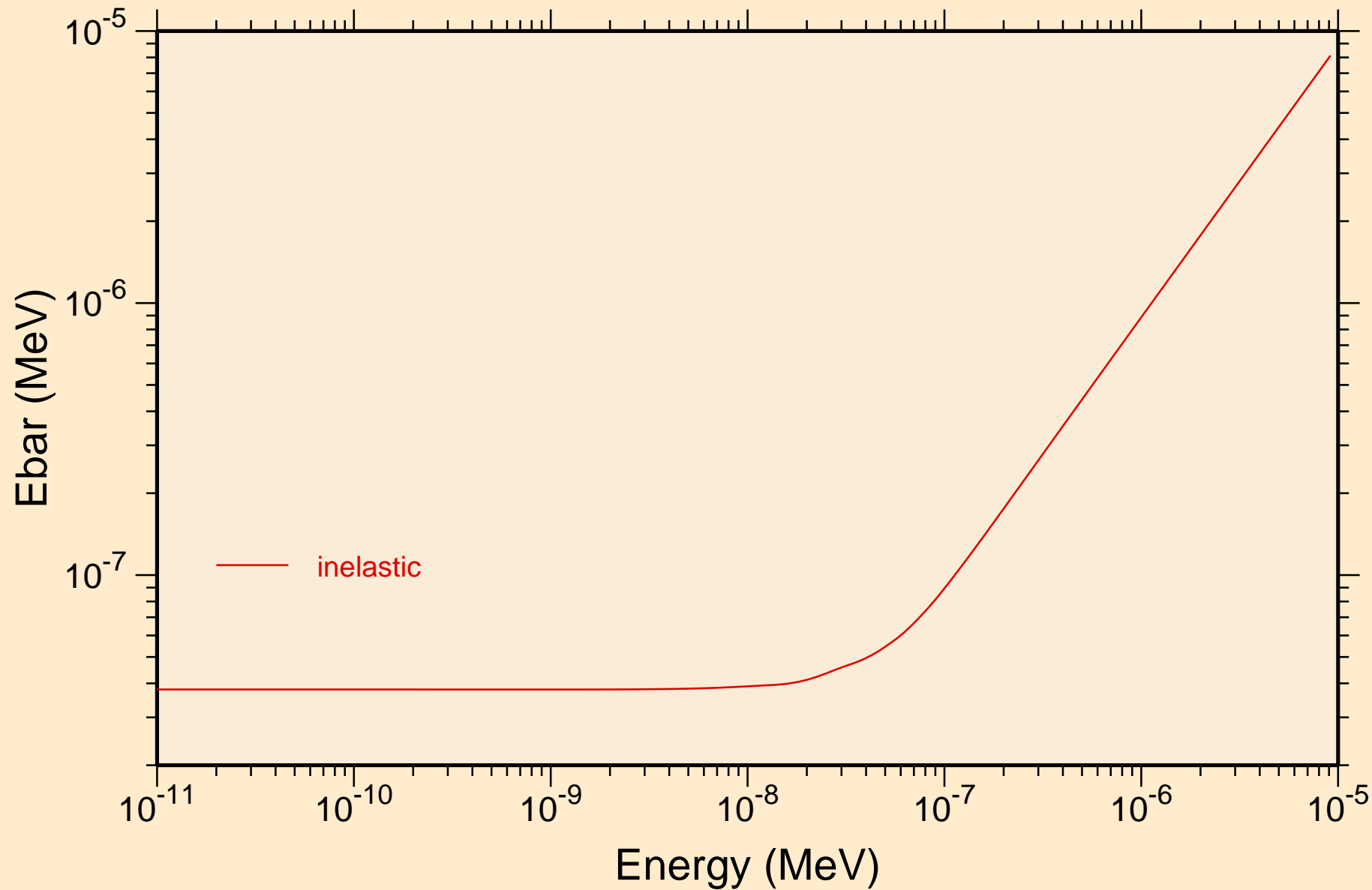
## Thermal cross sections



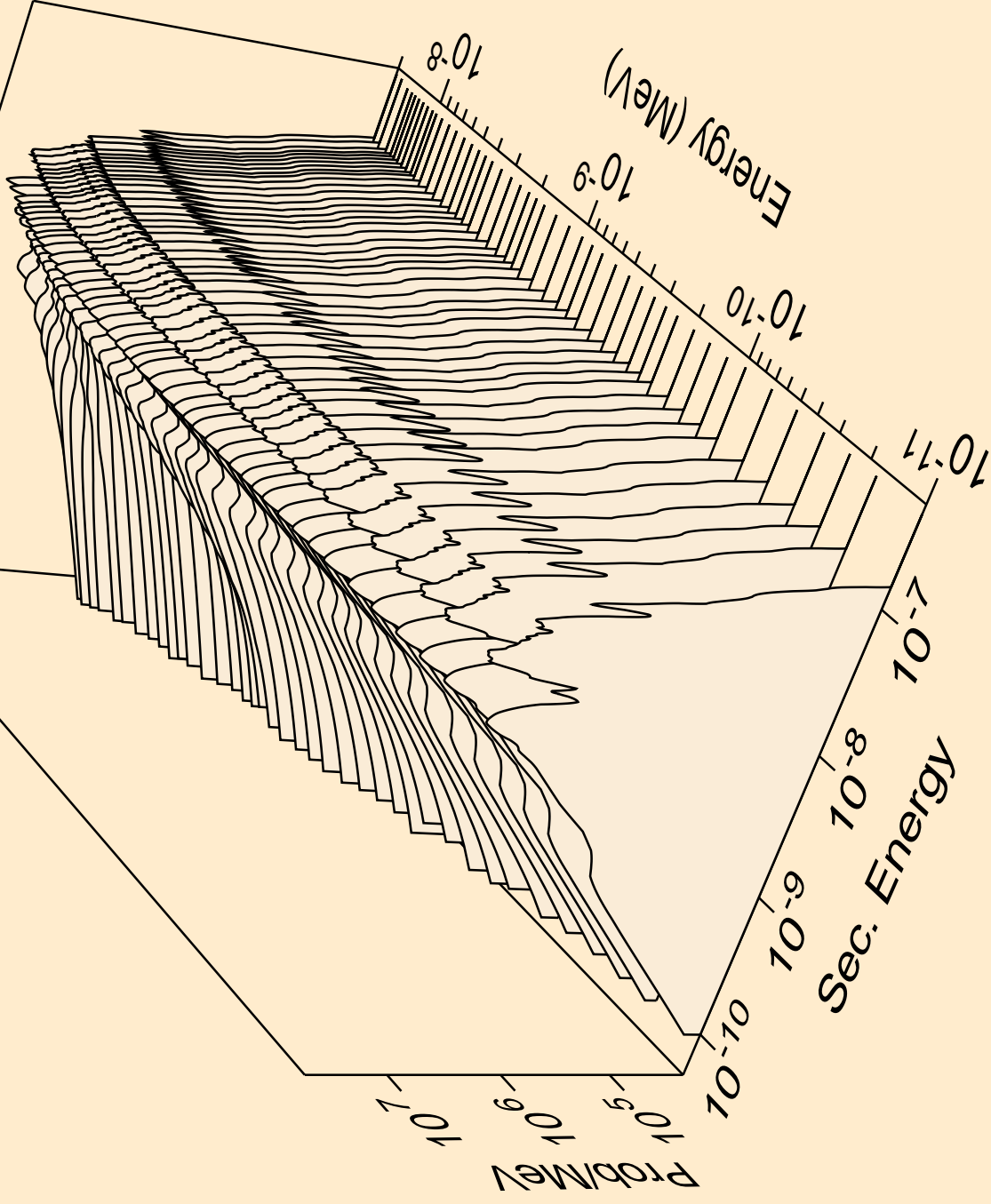
O(UO2) AT 293.6K FROM ENDF/B-VII  
Thermal mubar



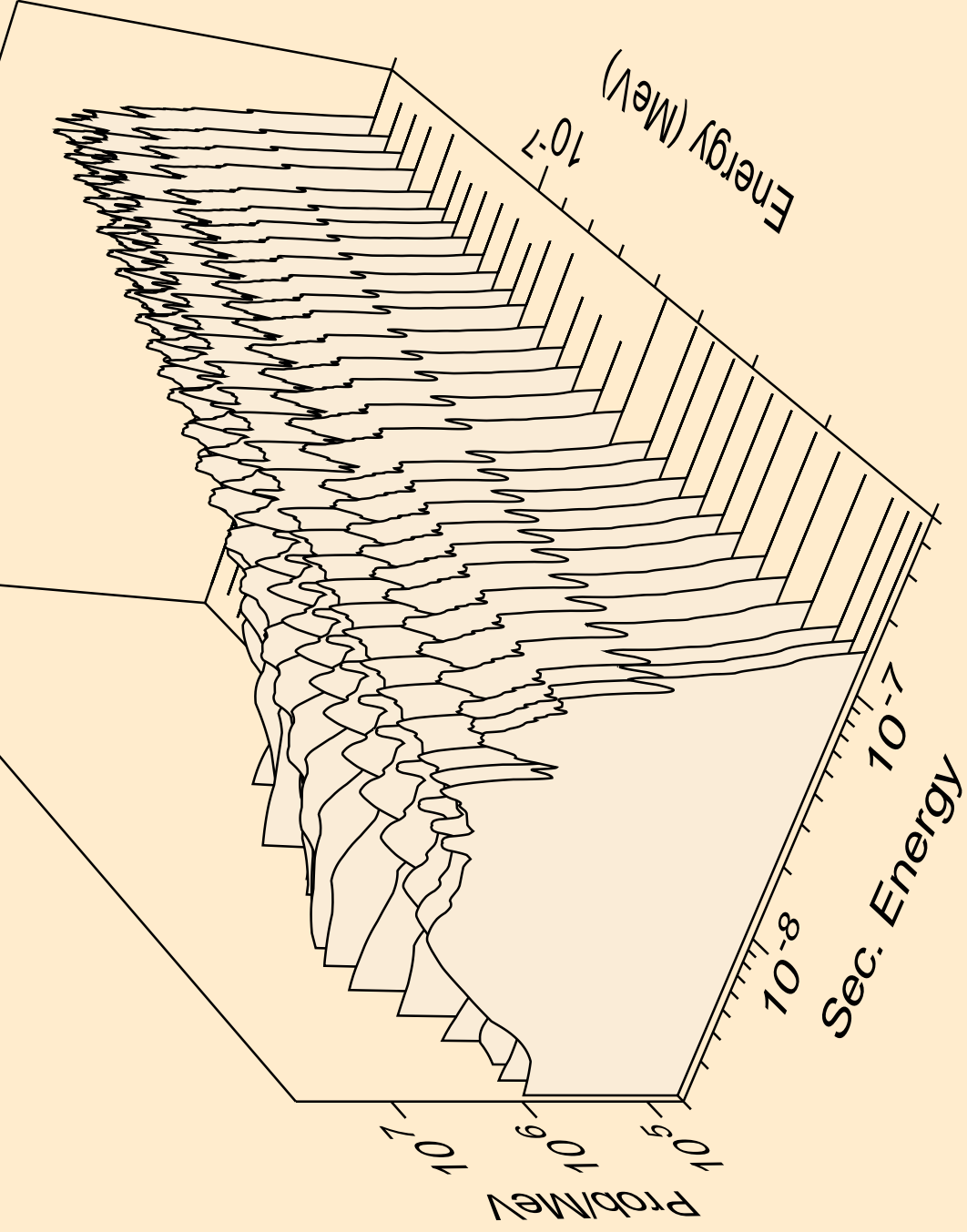
O(UO2) AT 293.6K FROM ENDF/B-VII  
Thermal ebar



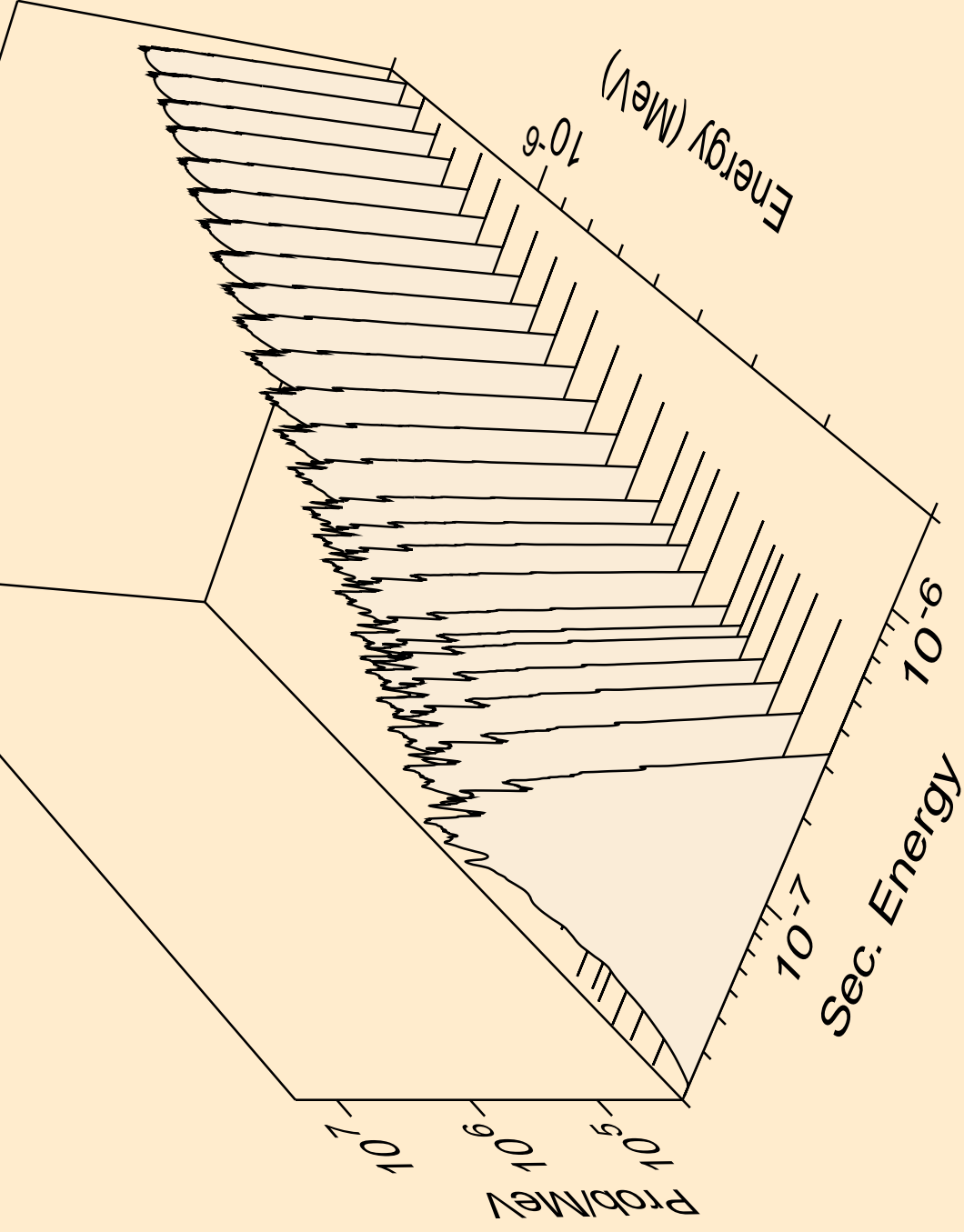
O(UO<sub>2</sub>) AT 293.6K FROM ENDF/B-VII  
thermal inelastic



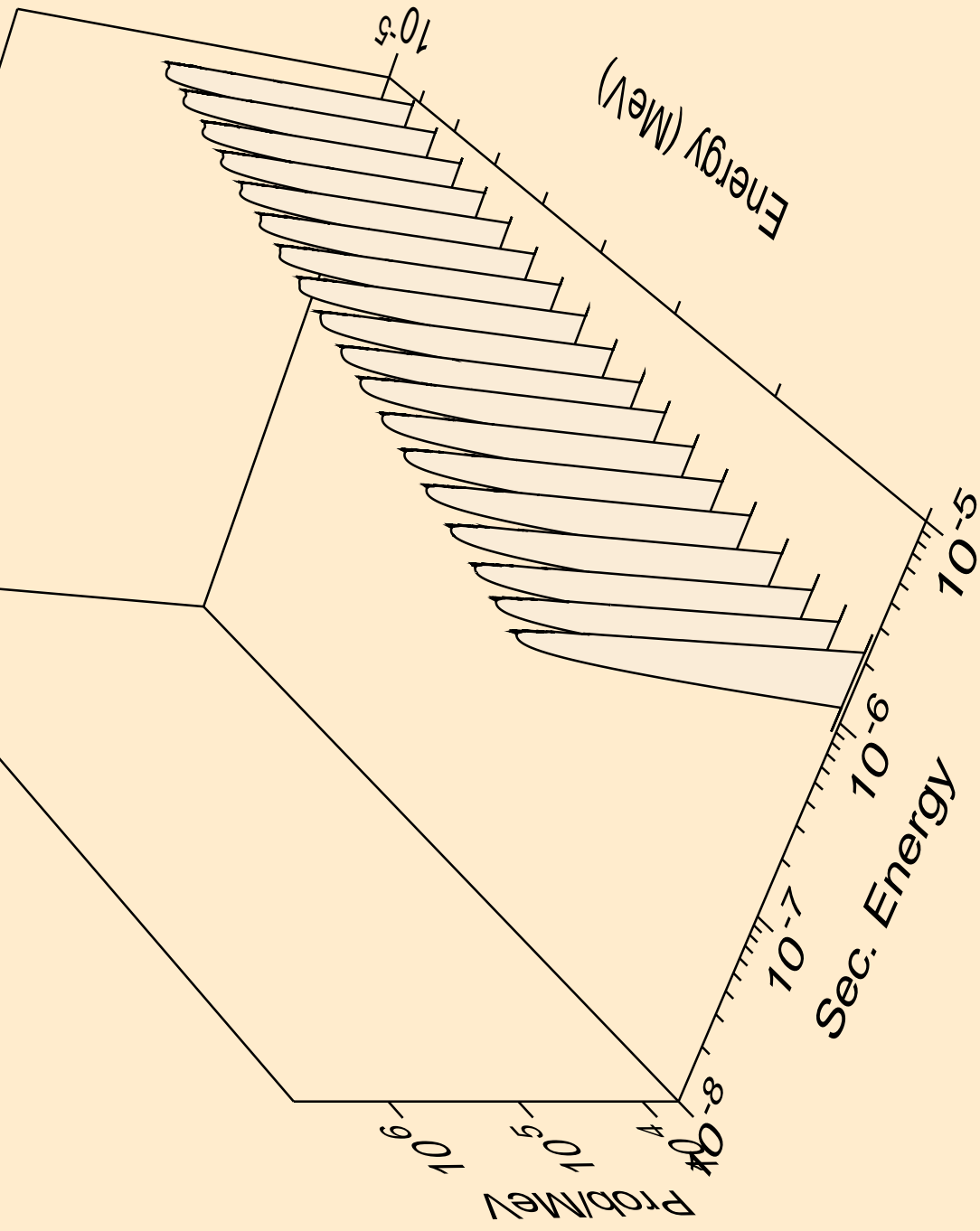
O(UO2) AT 293.6K FROM ENDF/B-VII  
thermal inelastic



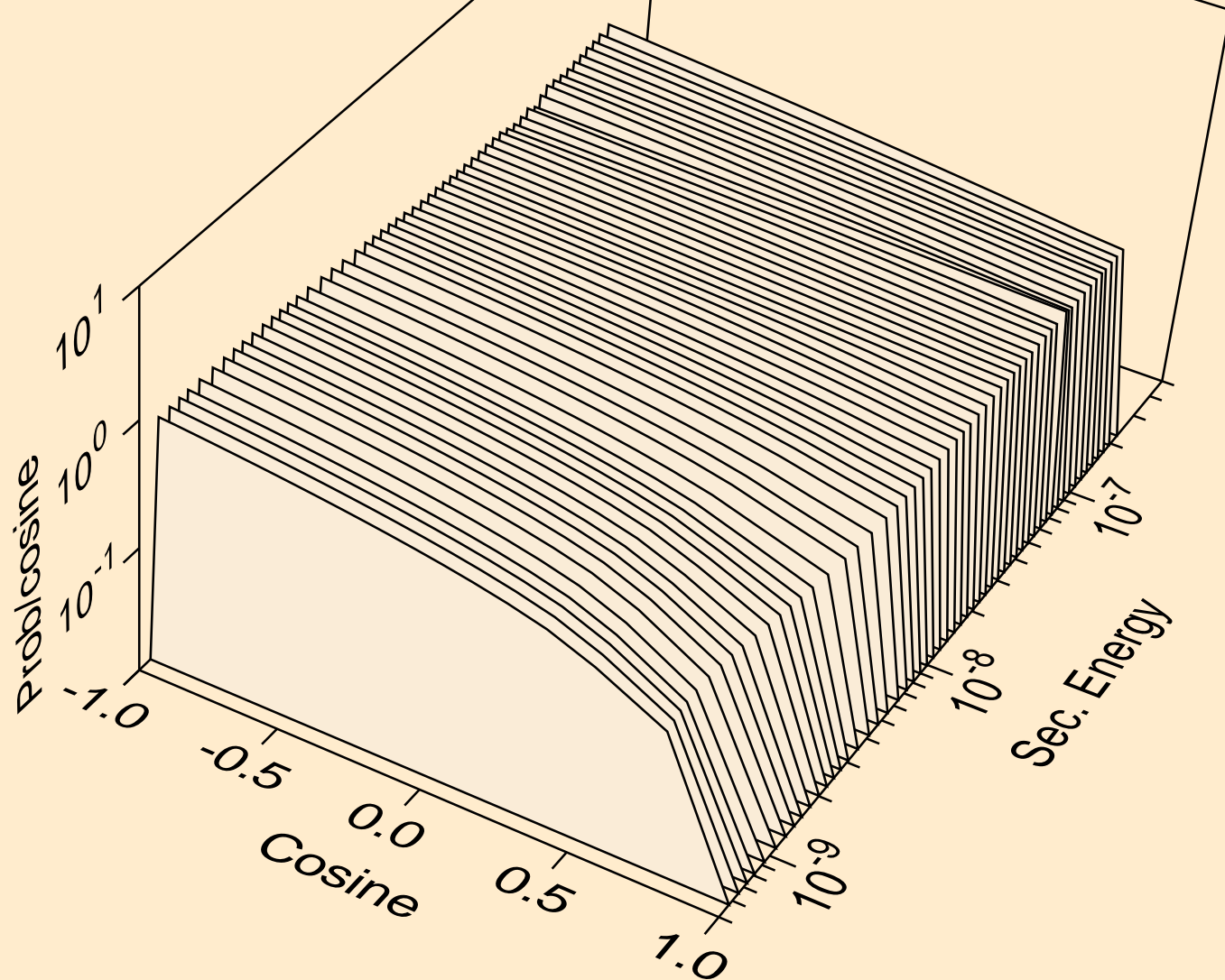
O(UO2) AT 293.6K FROM ENDF/B-VII  
thermal inelastic



O(UO2) AT 293.6K FROM ENDF/B-VII  
thermal inelastic

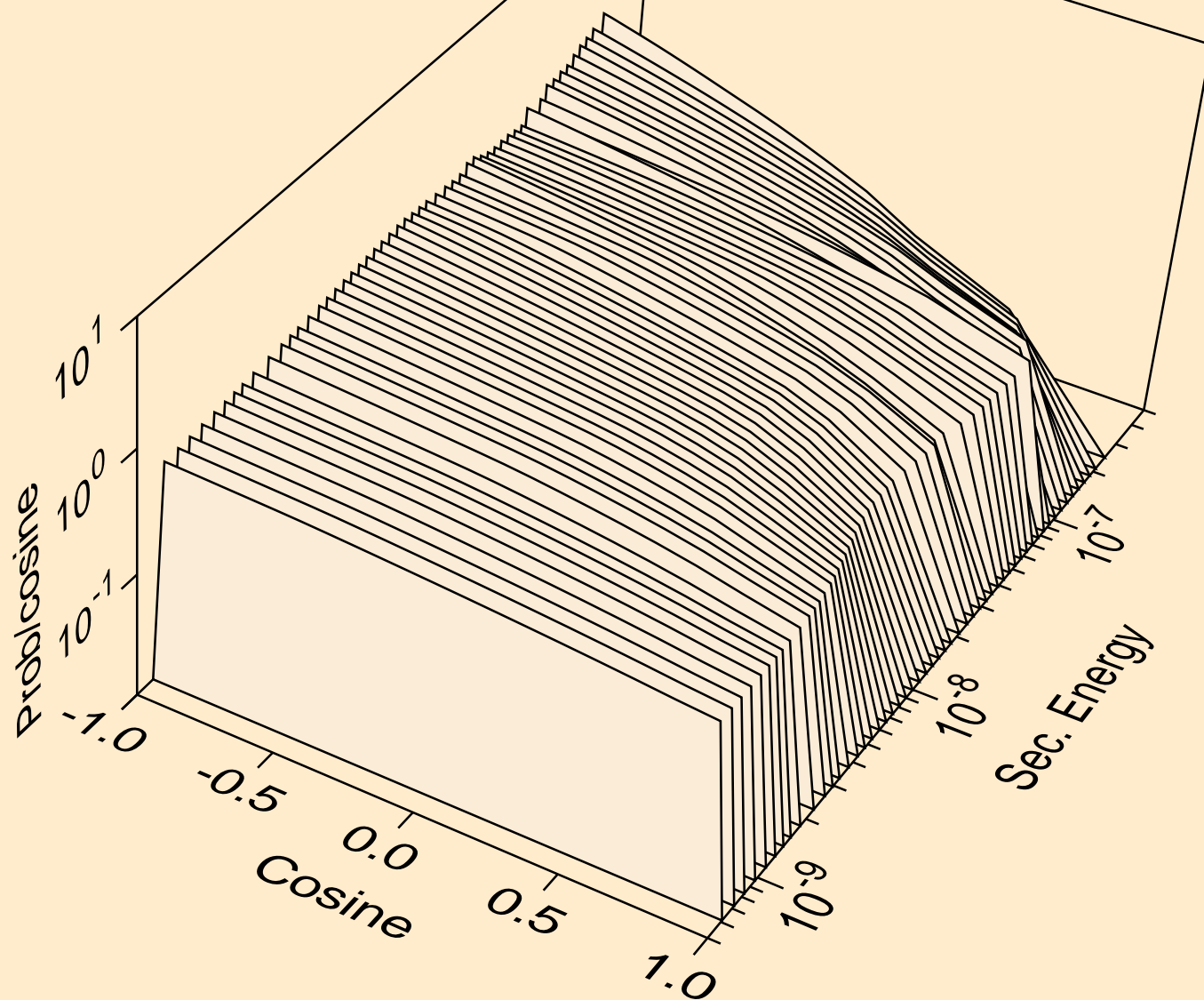


O(UO2) AT 293.6K FROM ENDF/B-VII  
thermal inelastic for  $e = 1.012E-09$  MeV

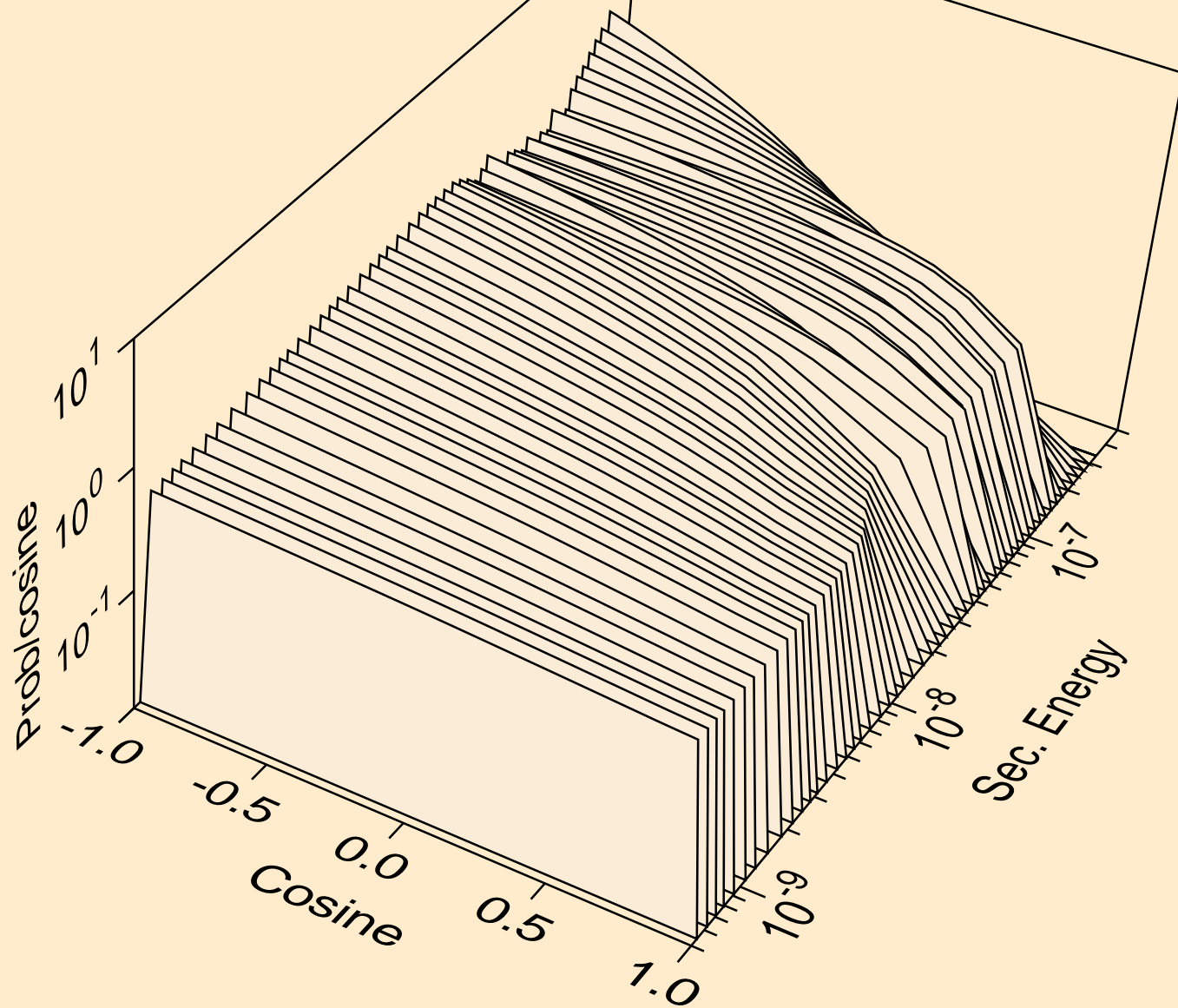




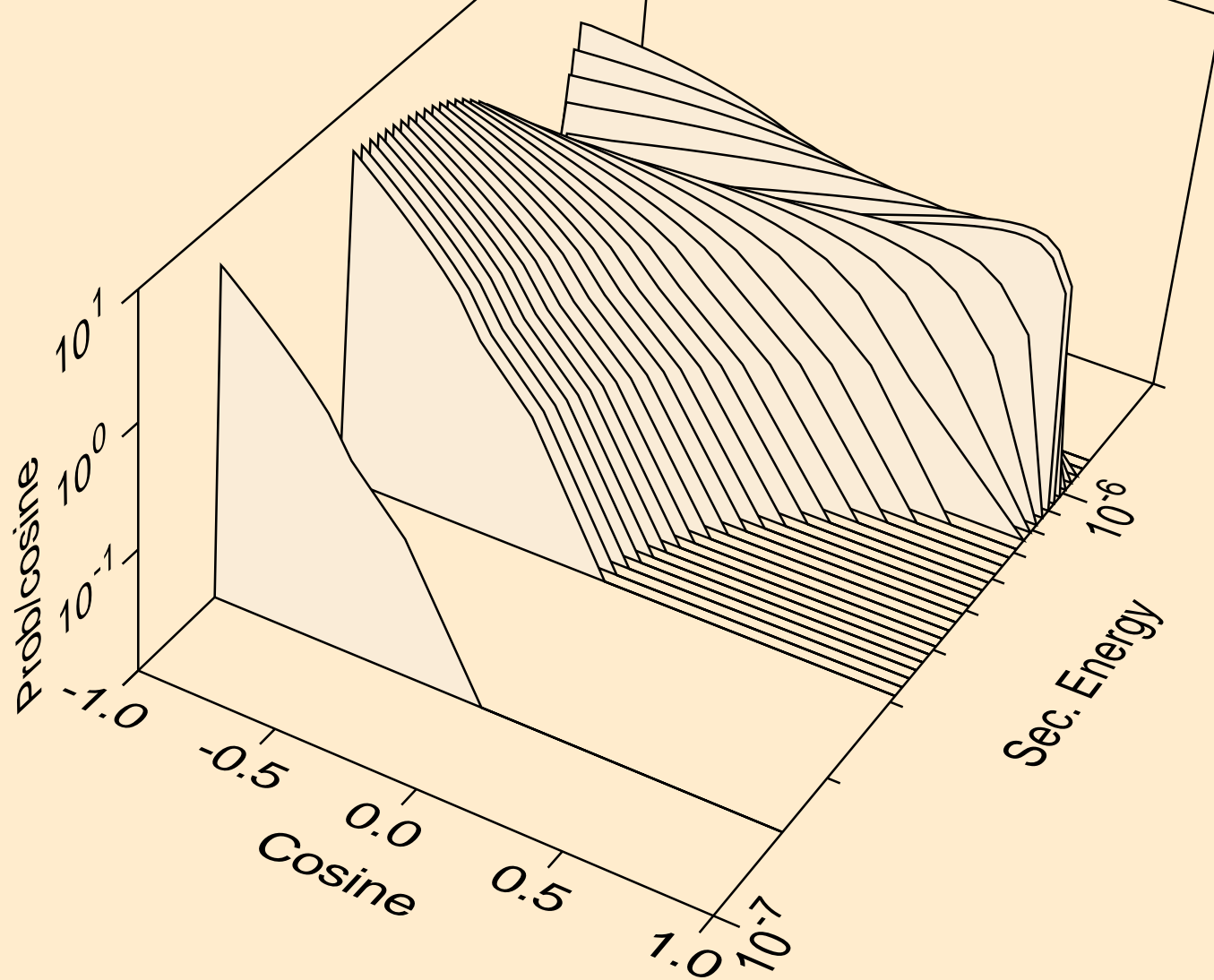
O(UO2) AT 293.6K FROM ENDF/B-VII  
thermal inelastic for  $e = 1.619 \times 10^{-8}$  MeV



O(UO2) AT 293.6K FROM ENDF/B-VII  
thermal inelastic for e= 1.200E-07 MeV



O(UO2) AT 293.6K FROM ENDF/B-VII  
thermal inelastic for  $e = 9.500E-07$  MeV



O(UO2) AT 293.6K FROM ENDF/B-VII  
thermal inelastic for e= 8.400E-06 MeV

