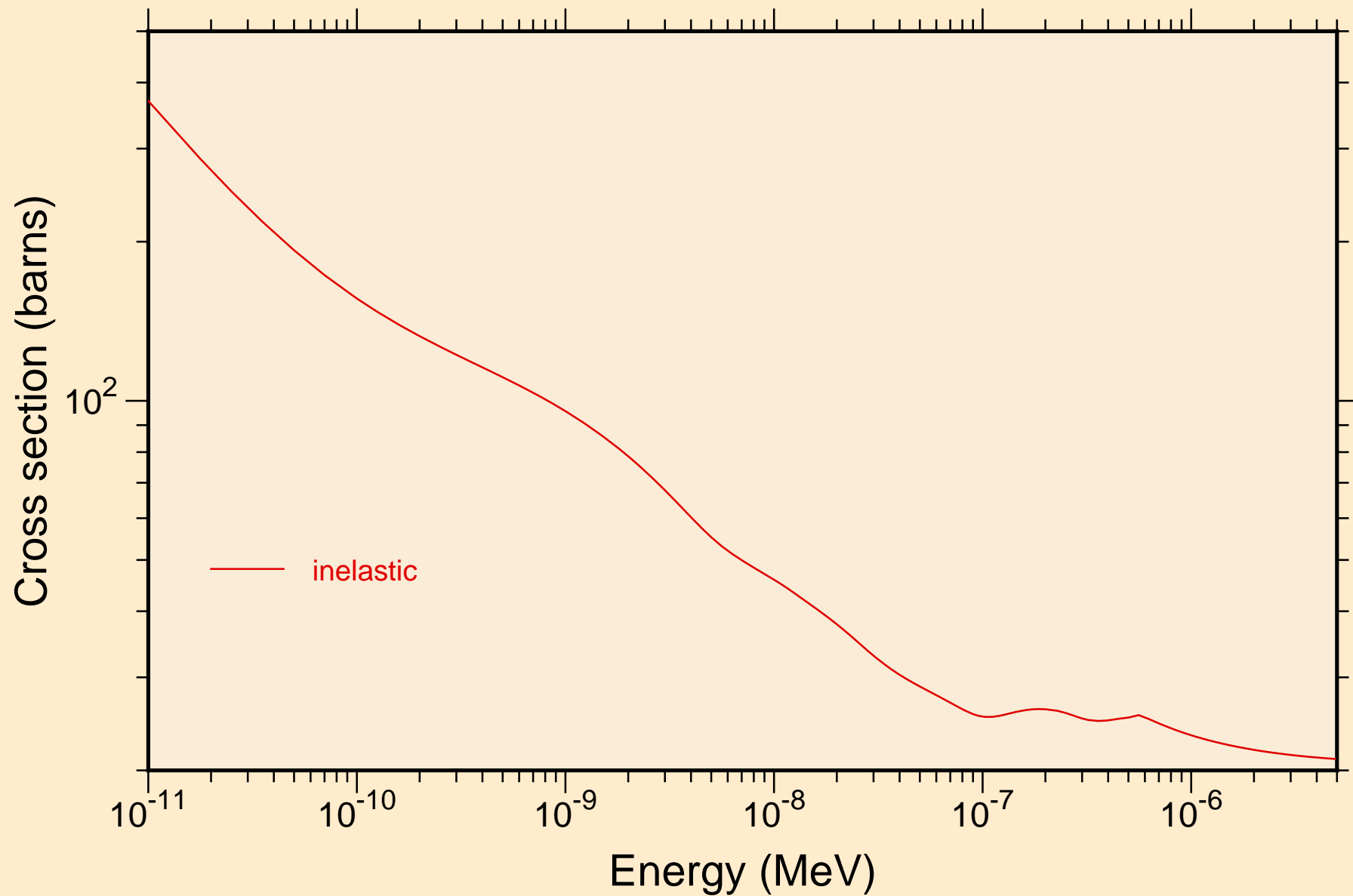


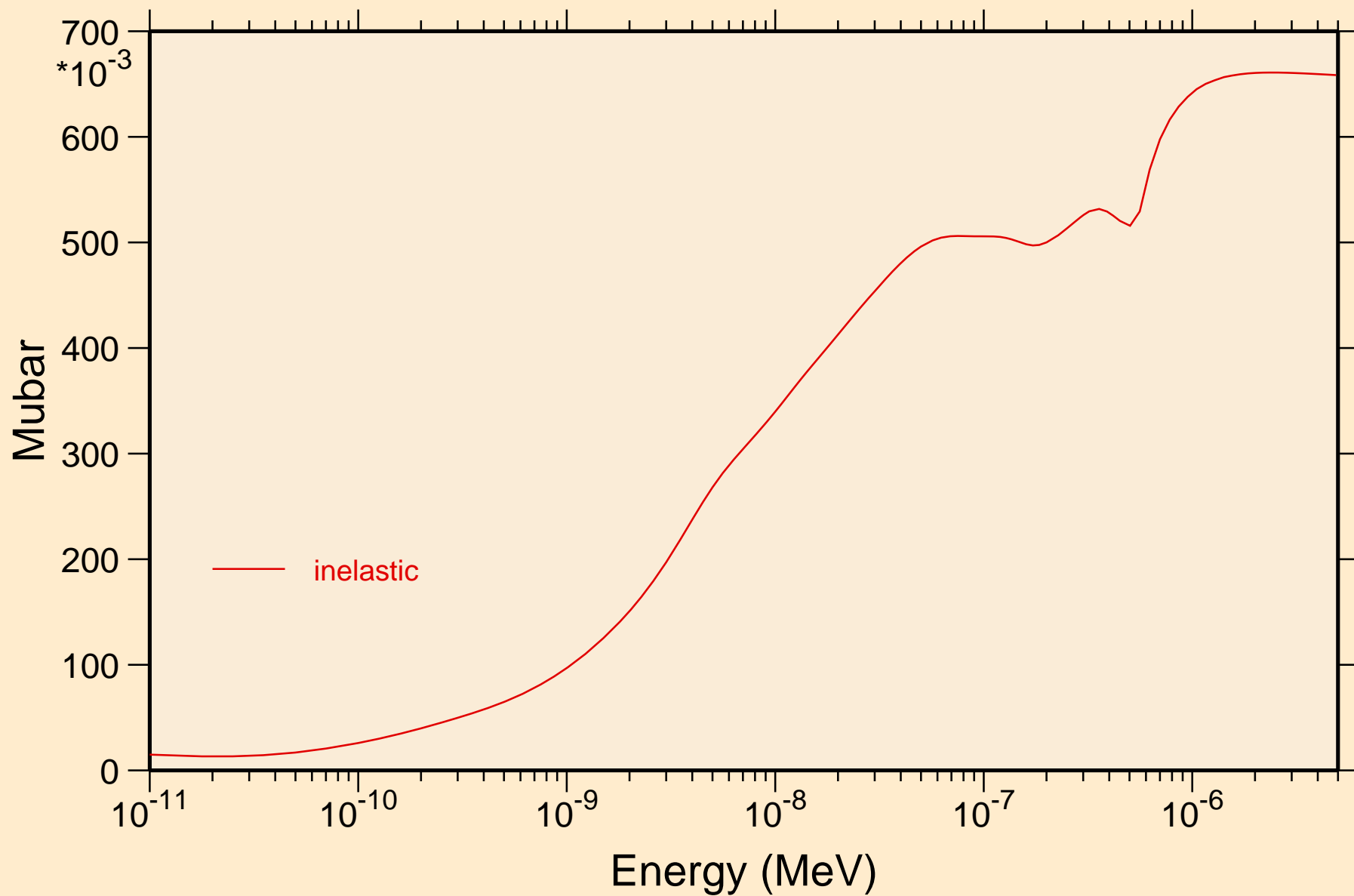
H IN ORTHO-H AT 20K ENDF/B-VII

Thermal cross sections



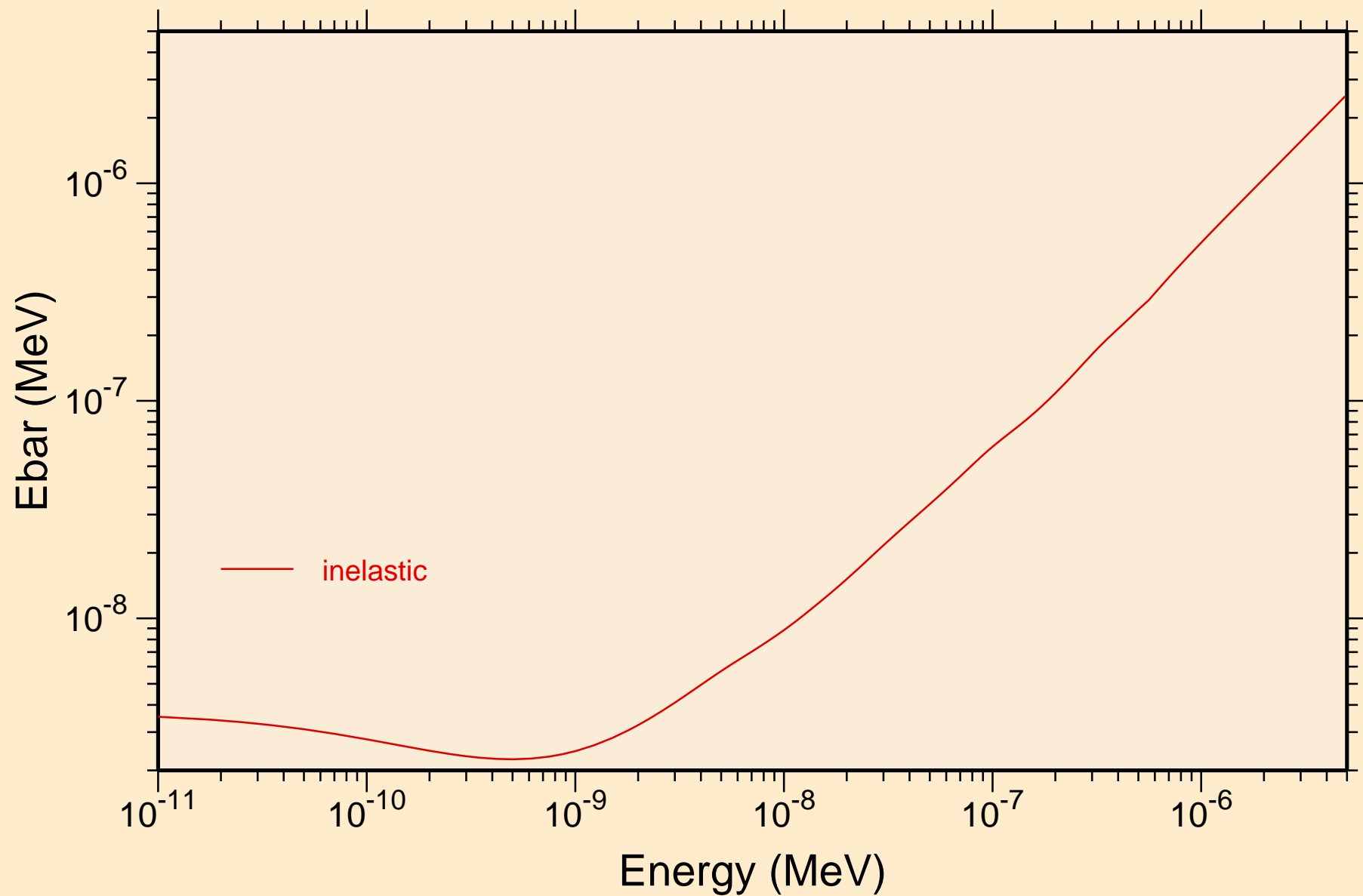
H IN ORTHO-H AT 20K ENDF/B-VII

Thermal mubar

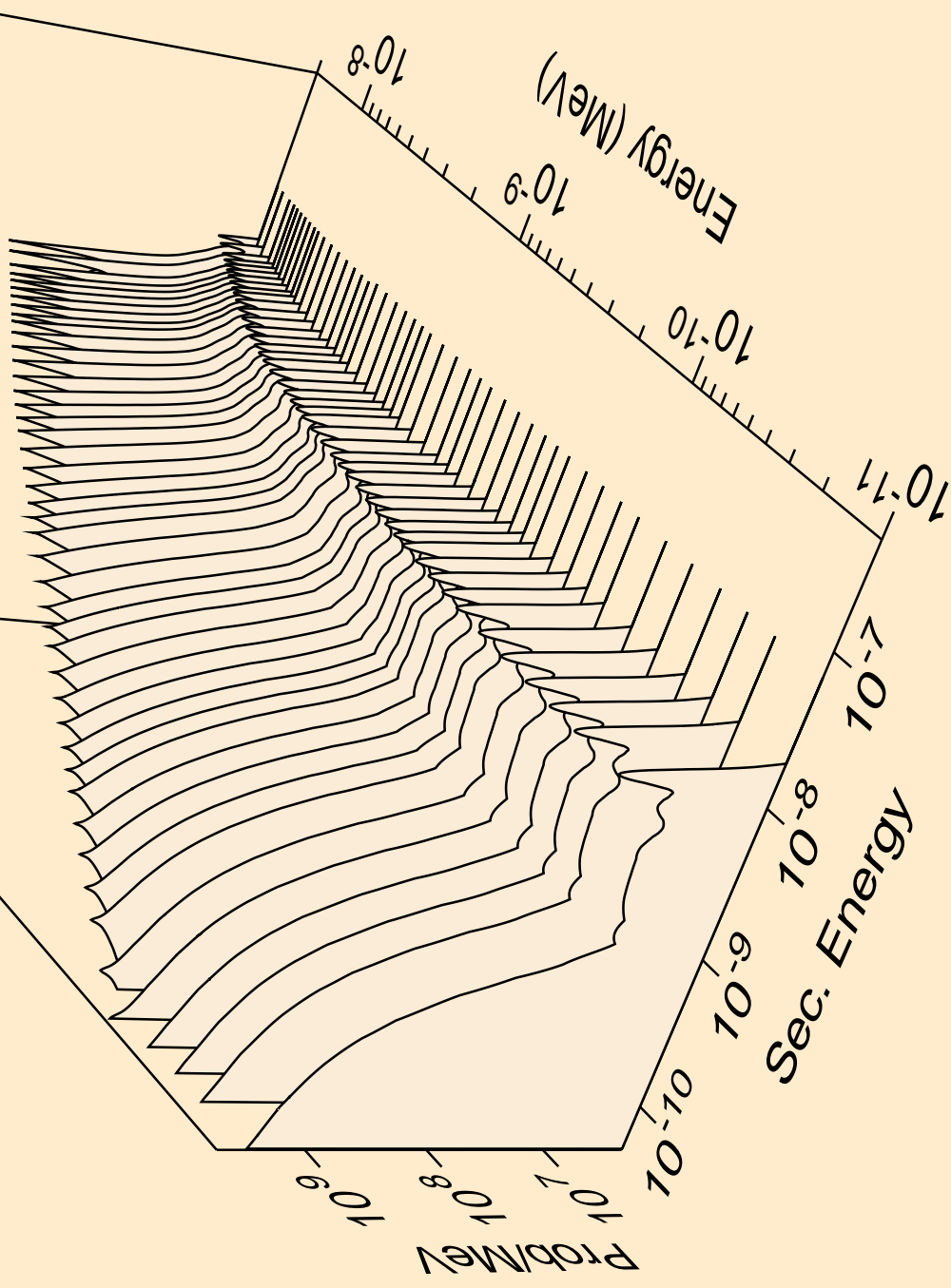


H IN ORTHO-H AT 20K ENDF/B-VII

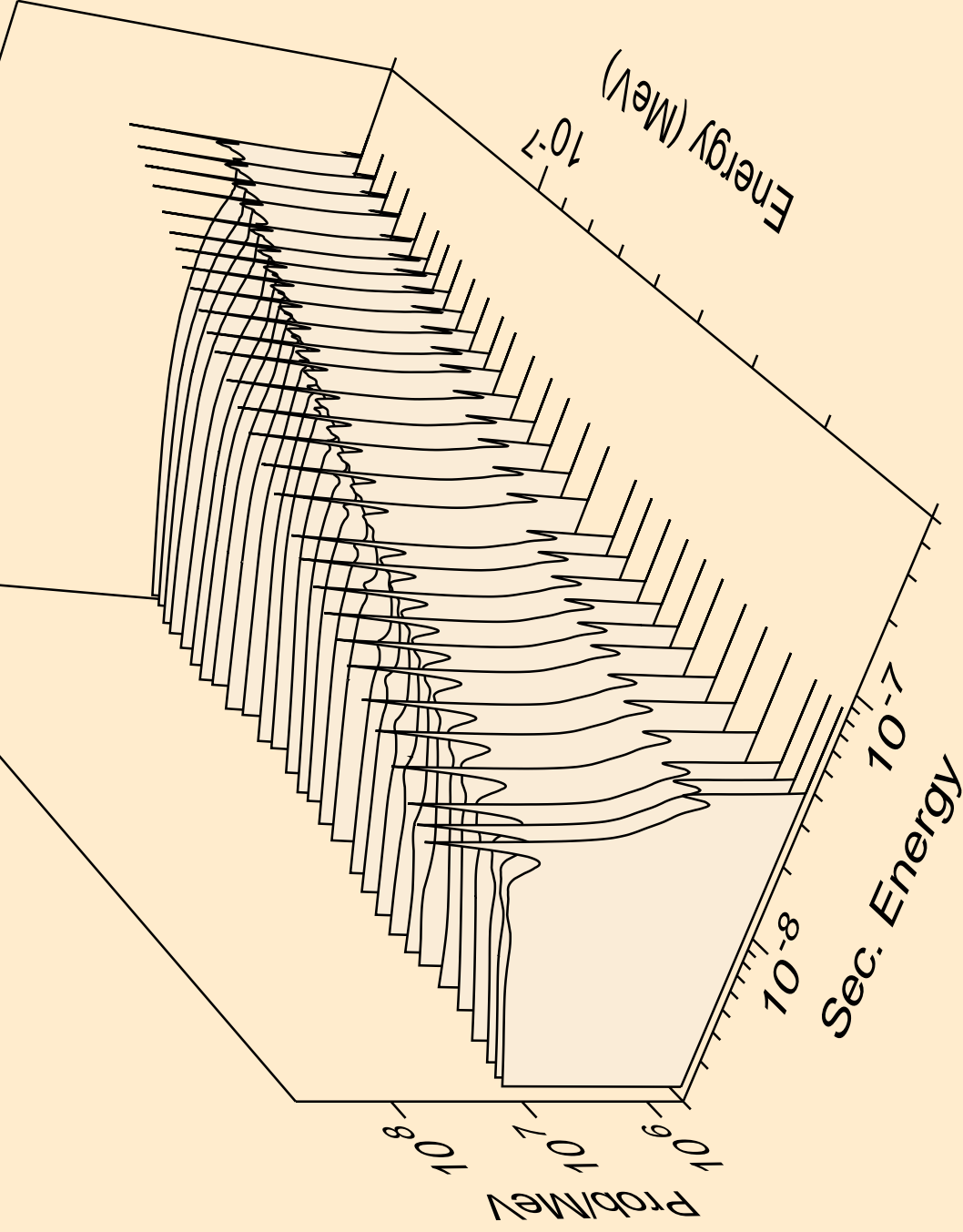
Thermal ebar



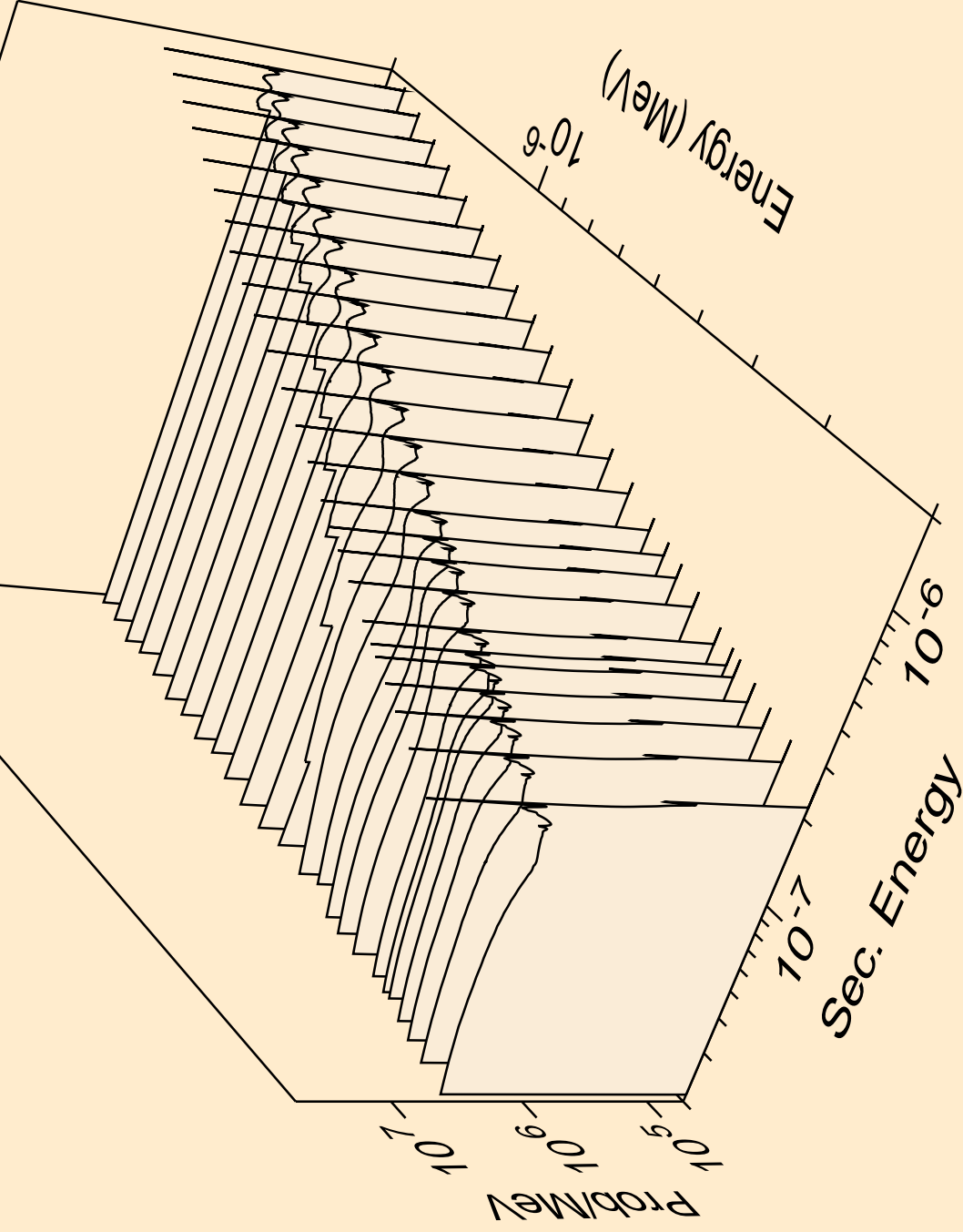
H IN ORTHO-H AT 20K ENDF/B-VII
thermal inelastic



H IN ORTHO-H AT 20K ENDF/B-VII
thermal inelastic



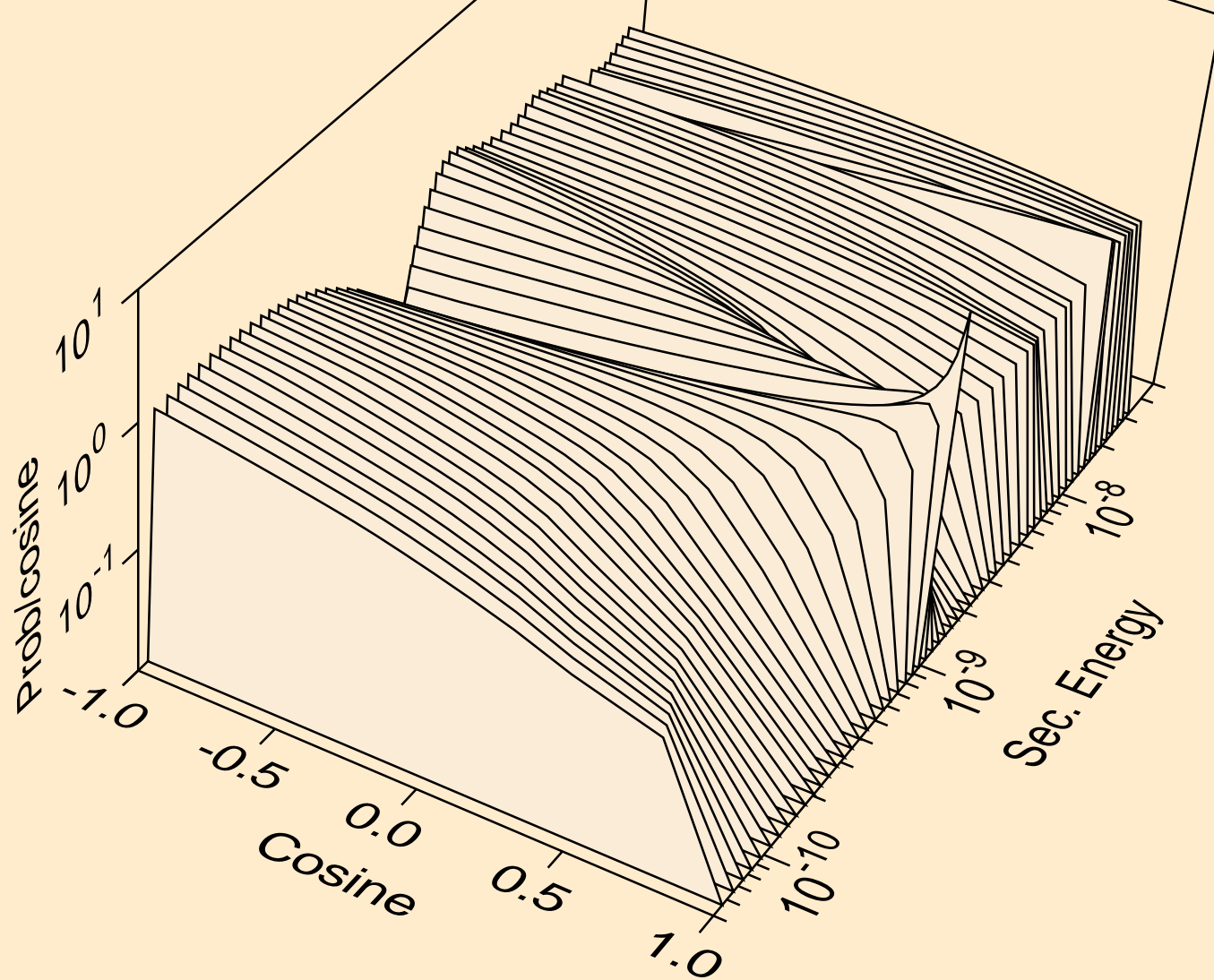
H IN ORTHO-H AT 20K ENDF/B-VII
thermal inelastic



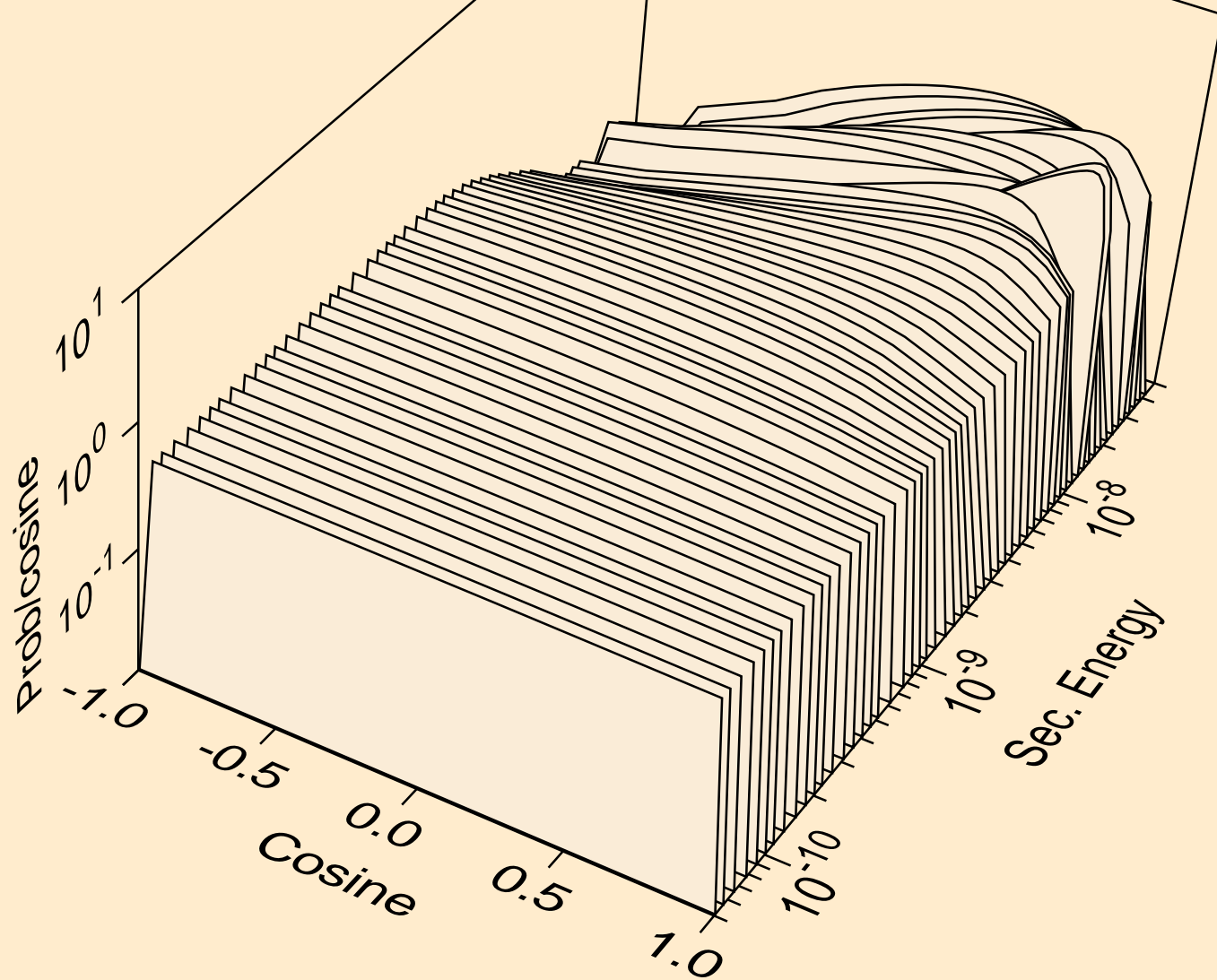
H IN ORTHO-H AT 20K ENDF/B-VII
thermal inelastic



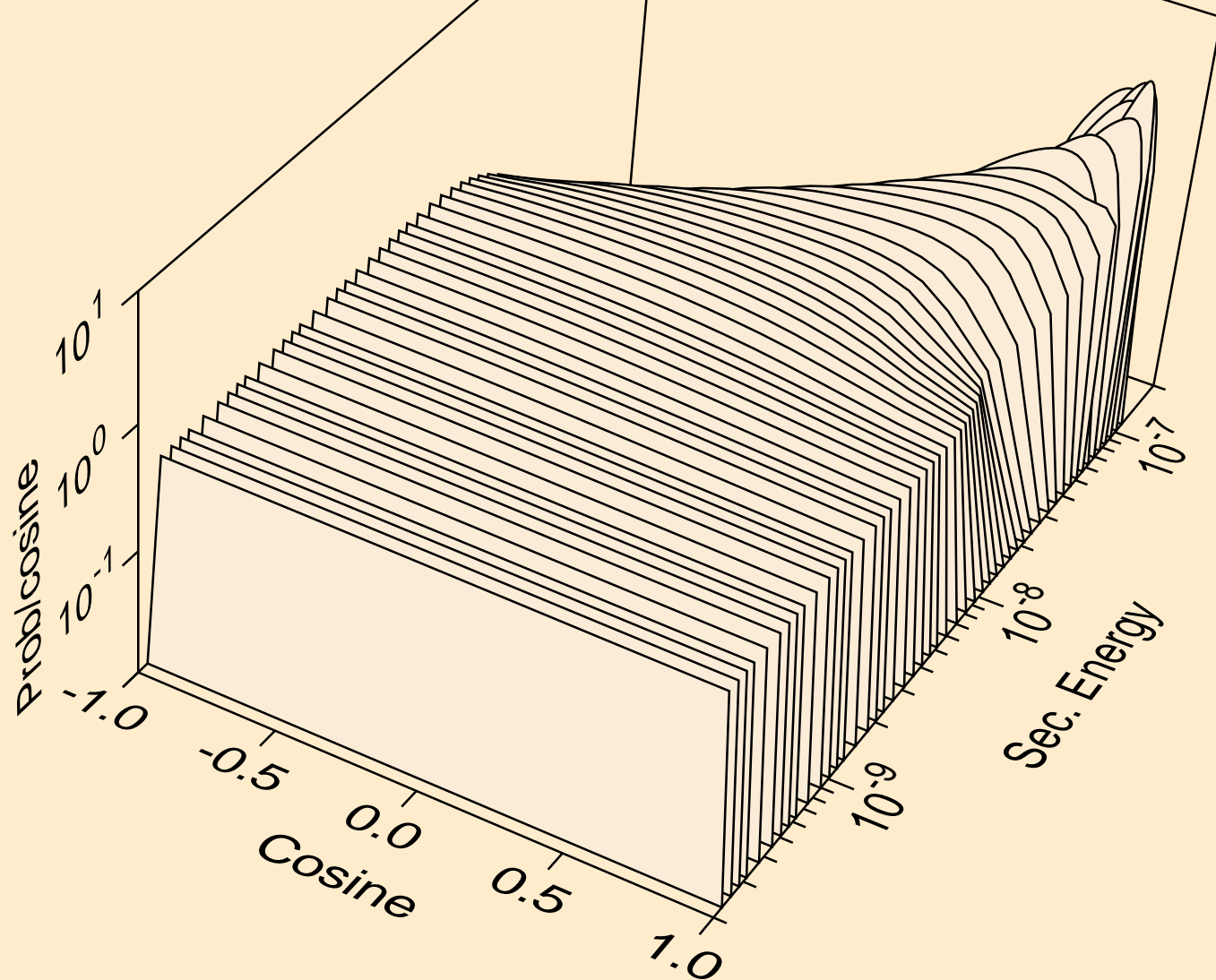
H IN ORTHO-H AT 20K ENDF/B-VII
thermal inelastic for $e = 1.012E-09$ MeV



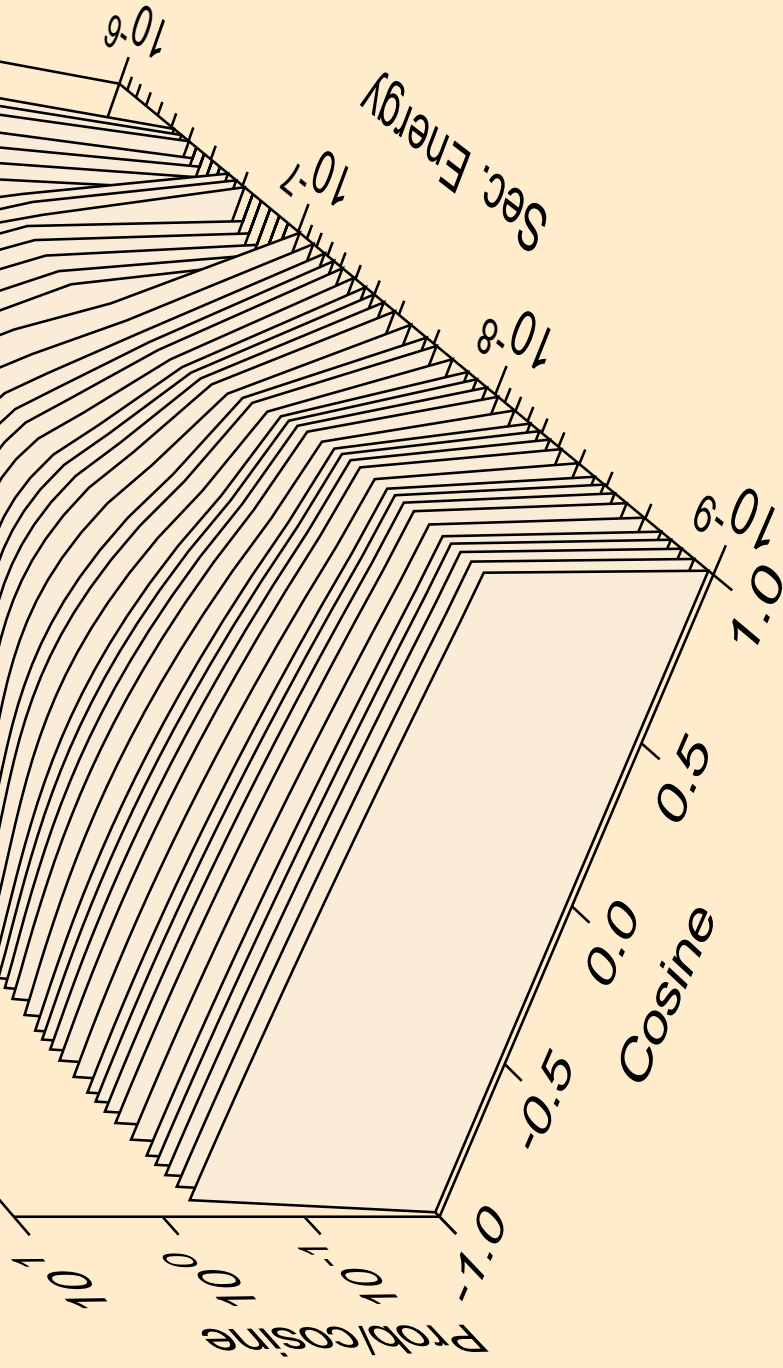
H IN ORTHO-H AT 20K ENDF/B-VII
thermal inelastic for $e = 1.417E-08$ MeV



H IN ORTHO-H AT 20K ENDF/B-VII
thermal inelastic for $e = 9.000E-08$ MeV



H IN ORTHO-H AT 20K ENDF/B-VII
thermal inelastic for e= 5.033E-07 MeV



H IN ORTHO-H AT 20K ENDF/B-VII
thermal inelastic for $e = 4.070E-06$ MeV

