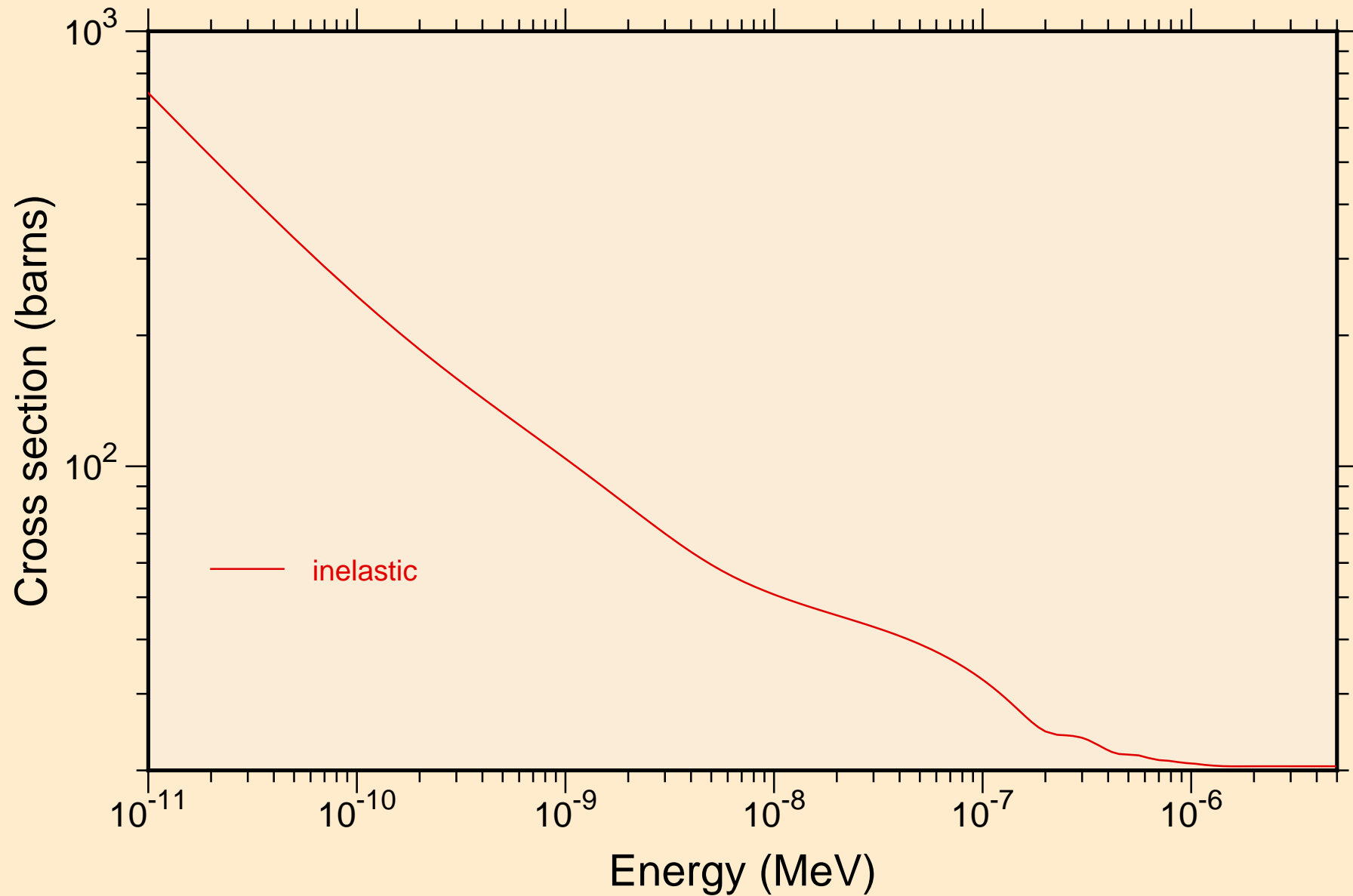


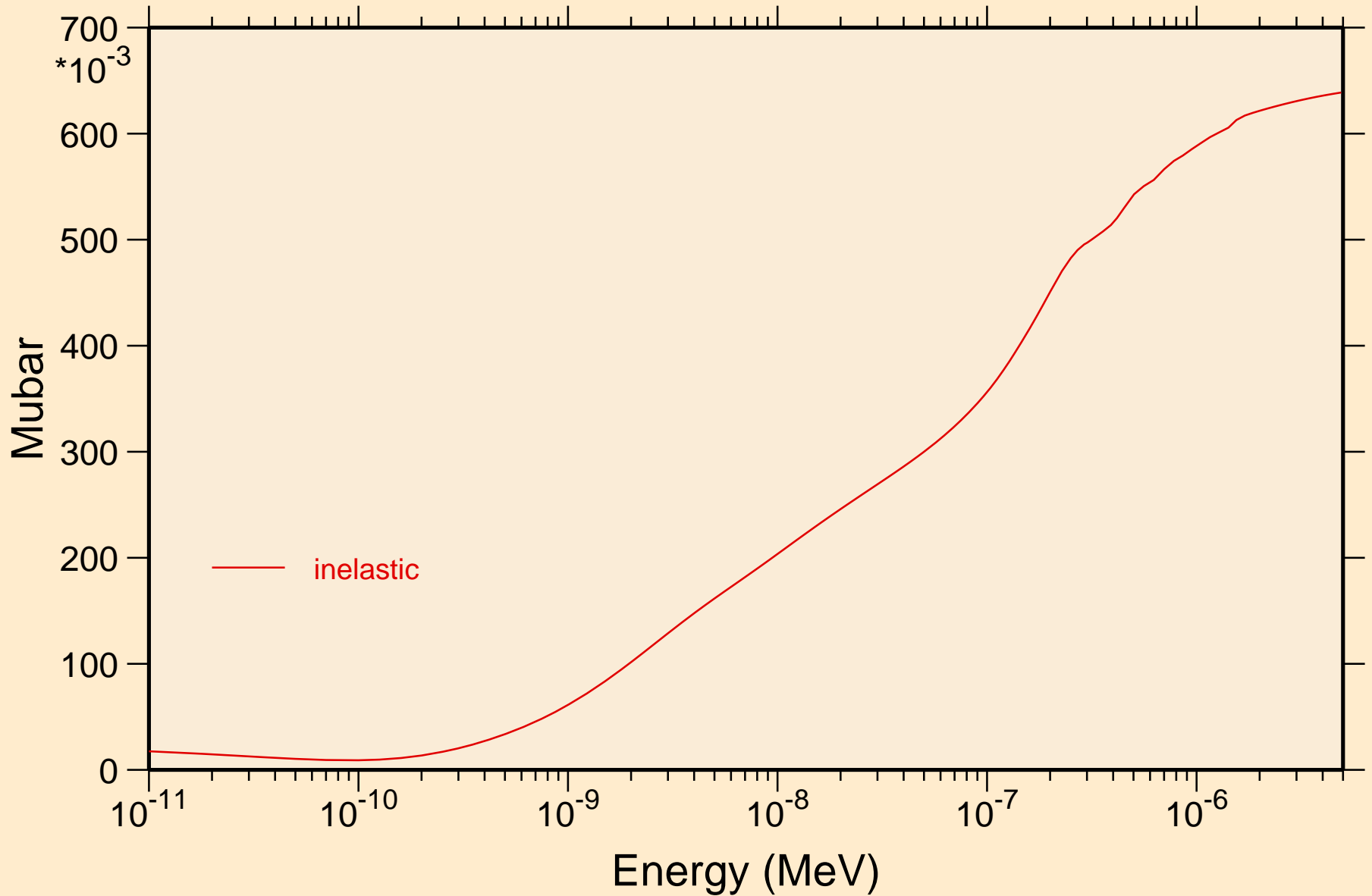
COLD LIQUID METHANE AT 100K ENDF/B-VII

Thermal cross sections



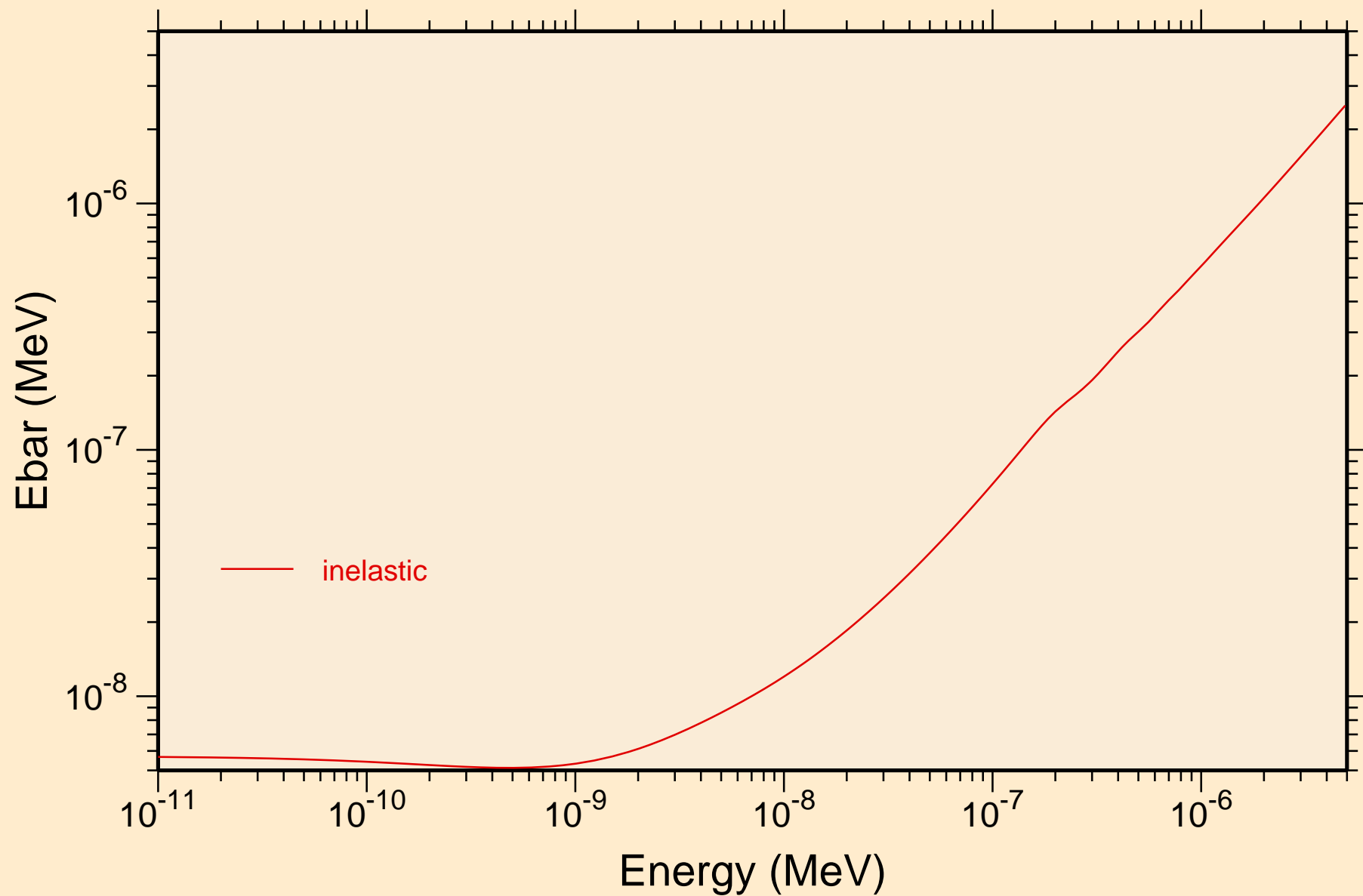
COLD LIQUID METHANE AT 100K ENDF/B-VII

Thermal mubar

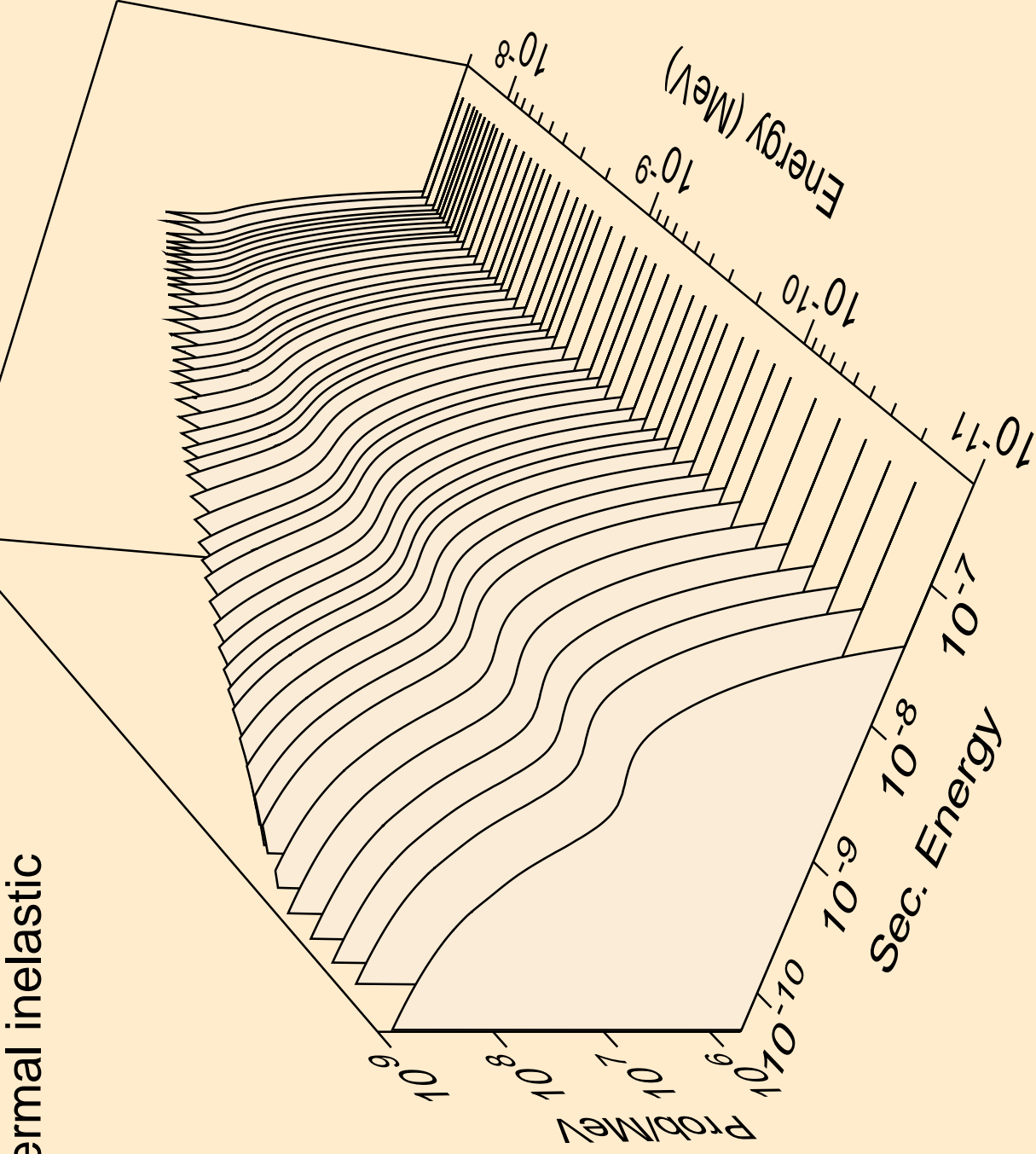


COLD LIQUID METHANE AT 100K ENDF/B-VII

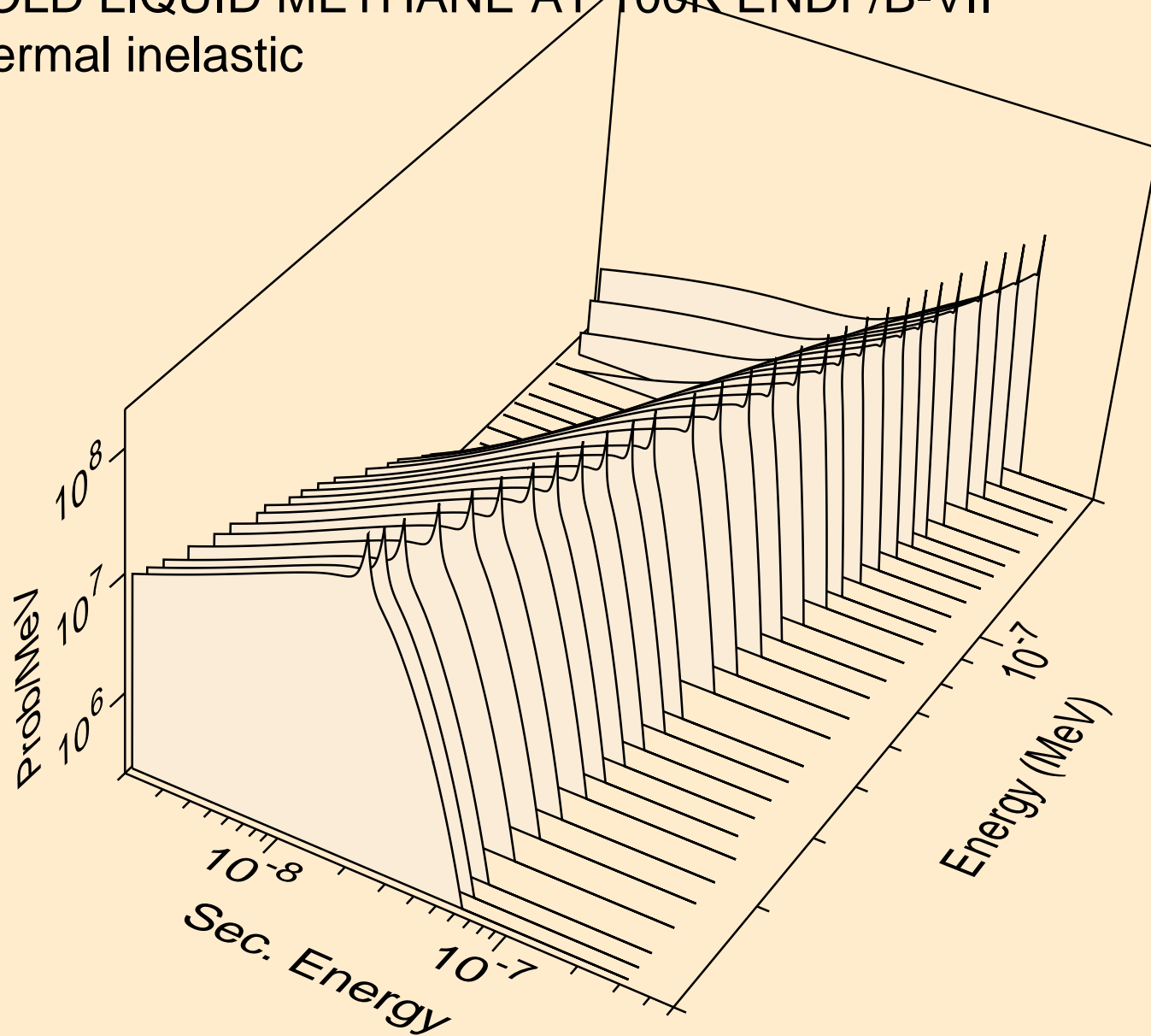
Thermal ebar



COLD LIQUID METHANE AT 100K ENDF/B-VII
thermal inelastic

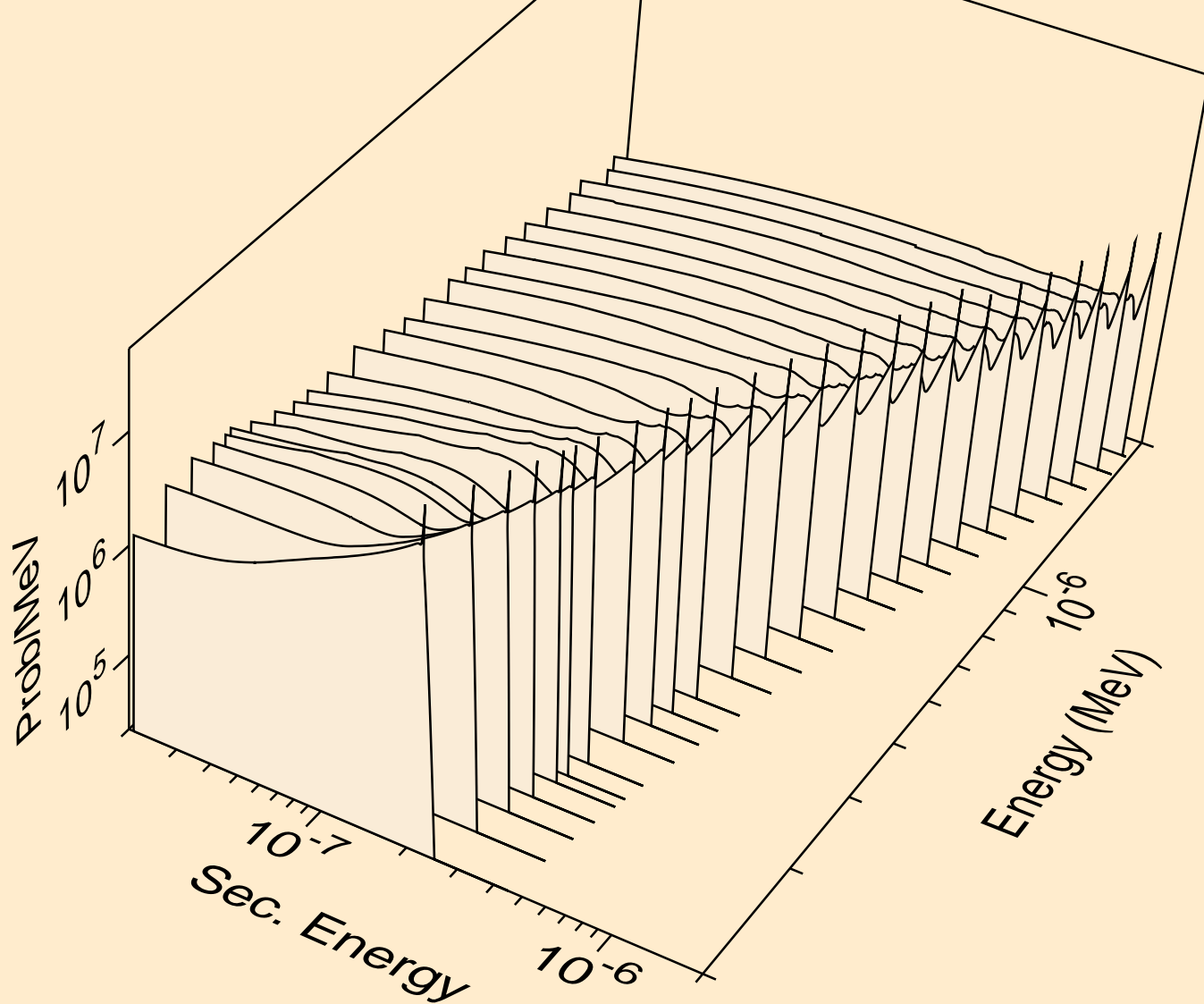


COLD LIQUID METHANE AT 100K ENDF/B-VII
thermal inelastic

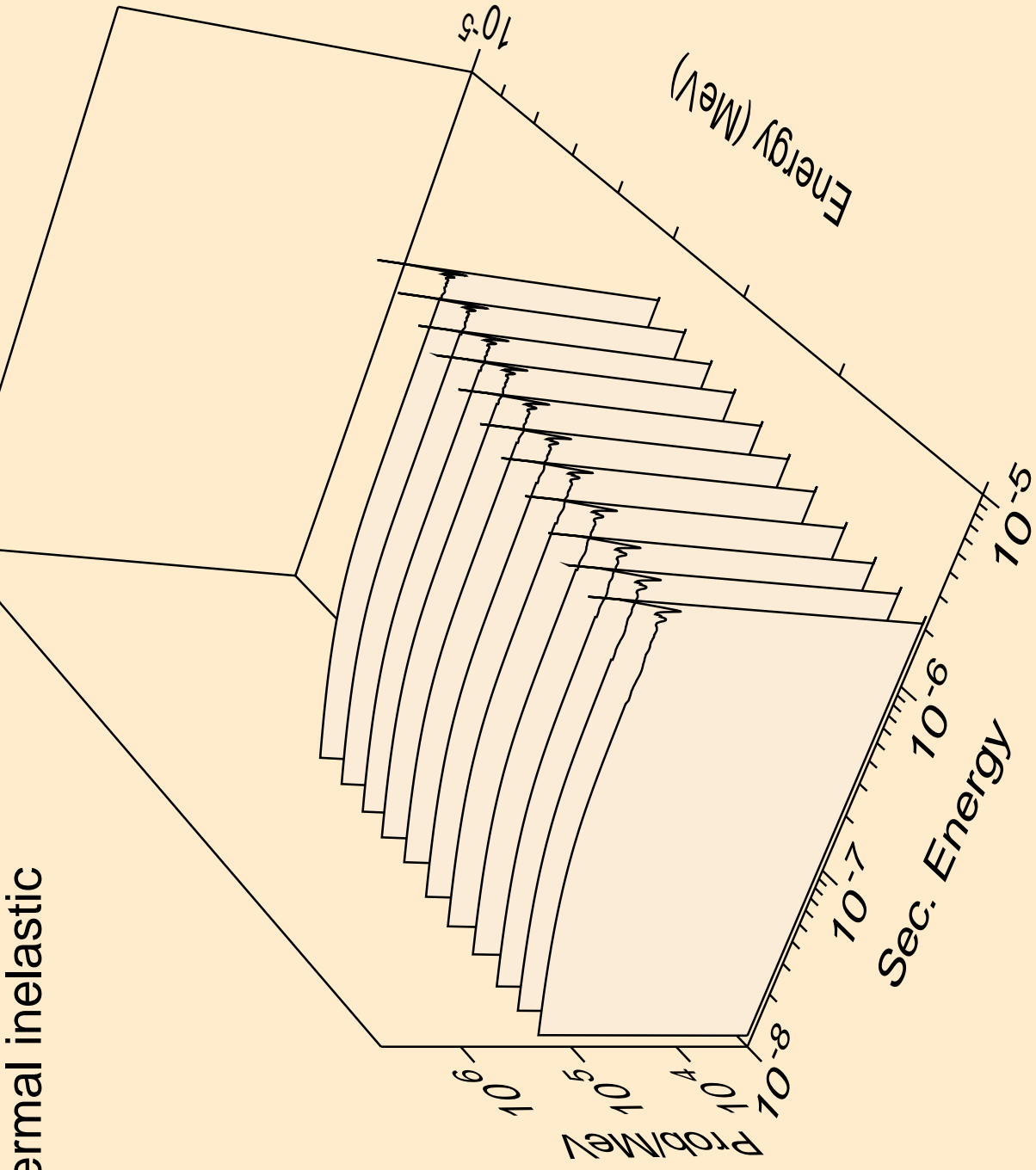


COLD LIQUID METHANE AT 100K ENDF/B-VII

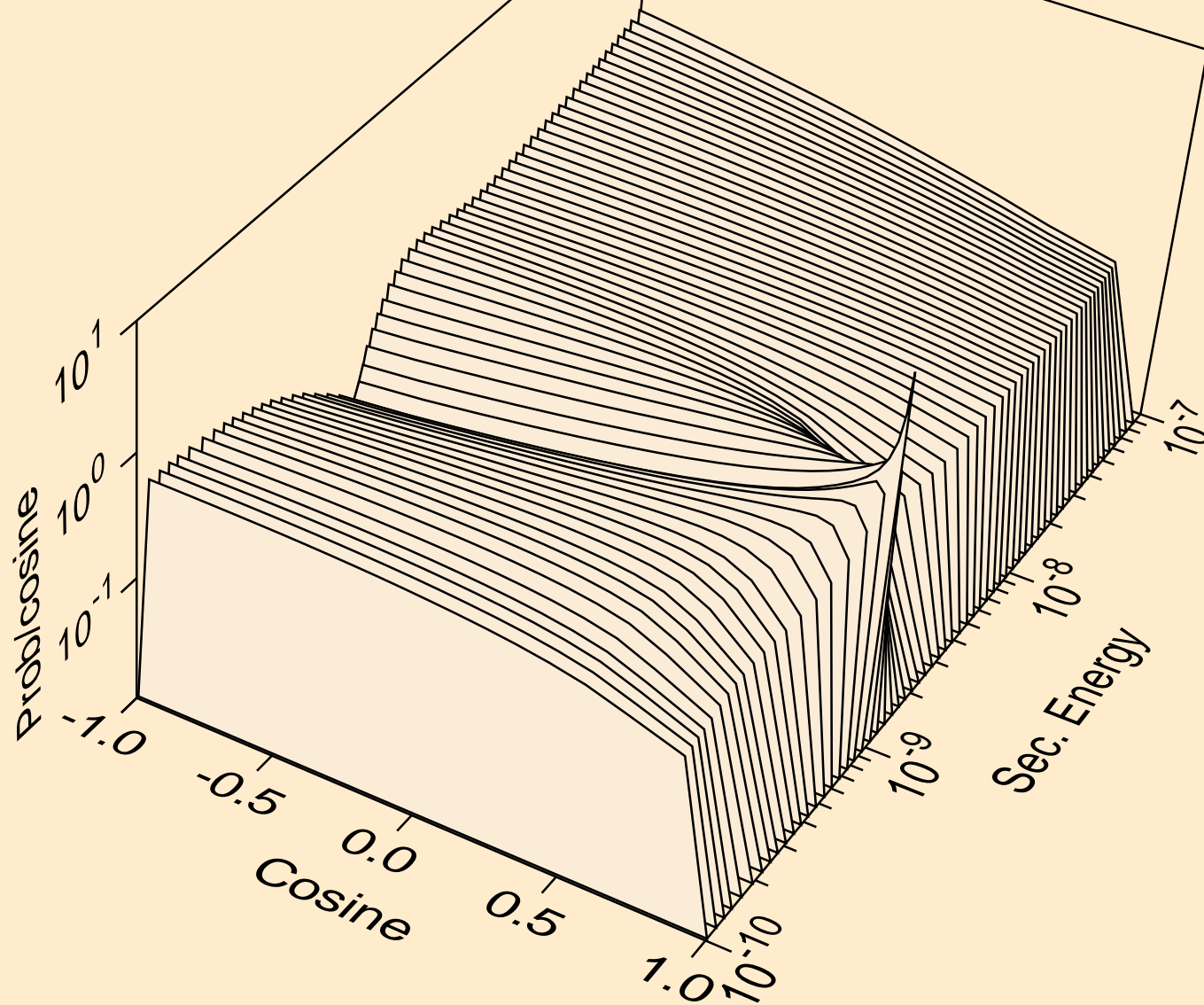
thermal inelastic



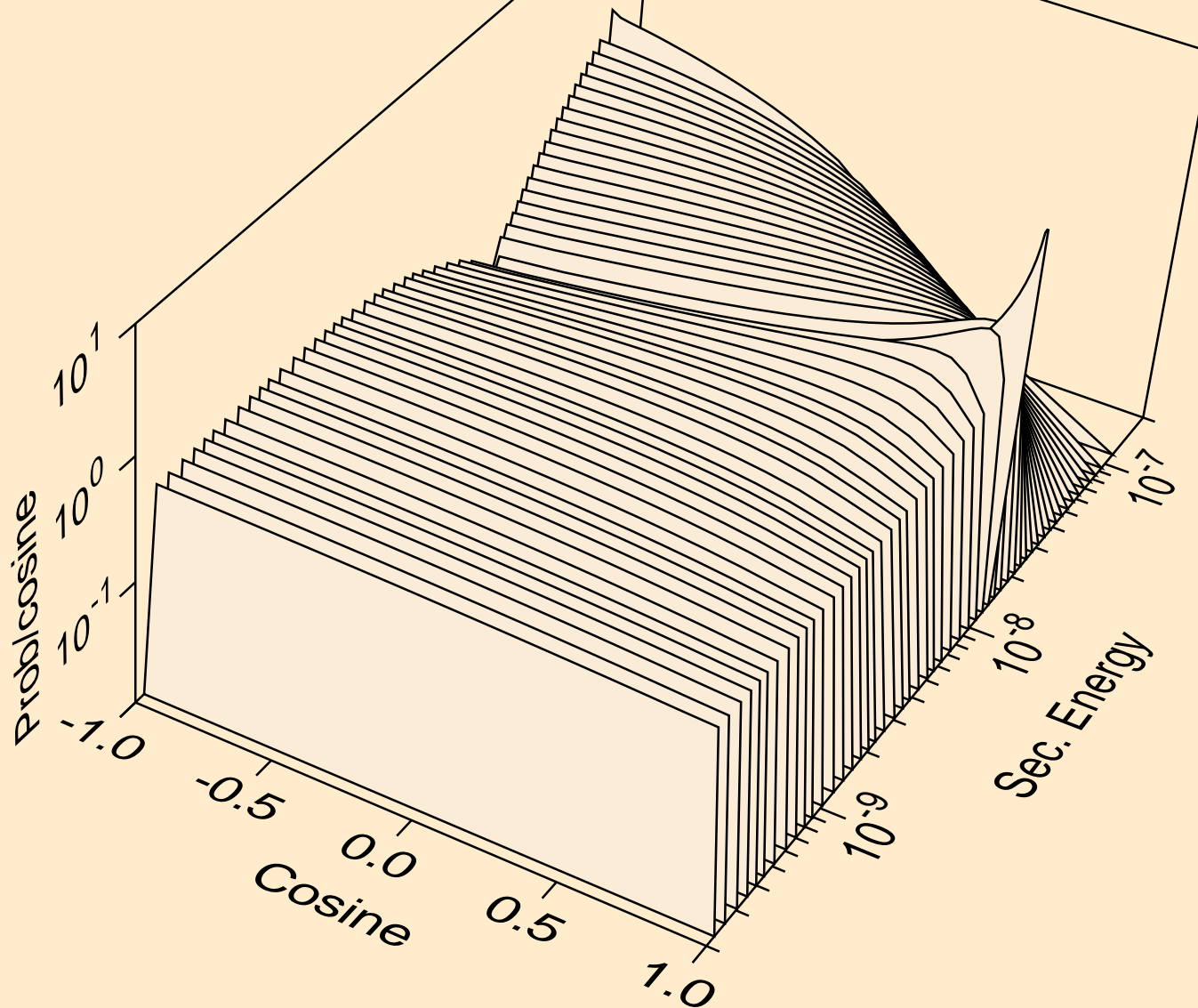
COLD LIQUID METHANE AT 100K ENDF/B-VII
thermal inelastic



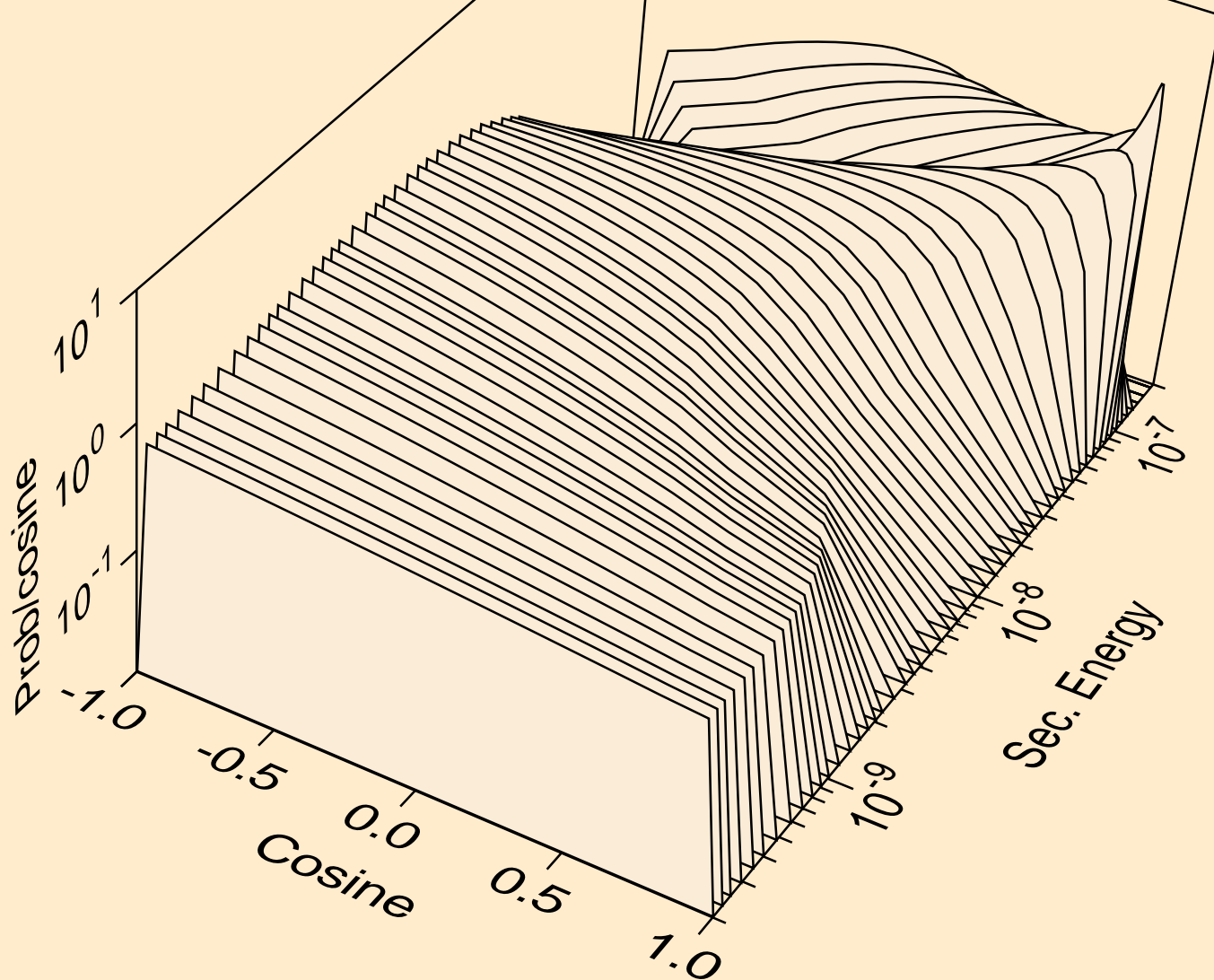
COLD LIQUID METHANE AT 100K ENDF/B-VII
thermal inelastic for $e = 1.012 \times 10^{-9}$ MeV



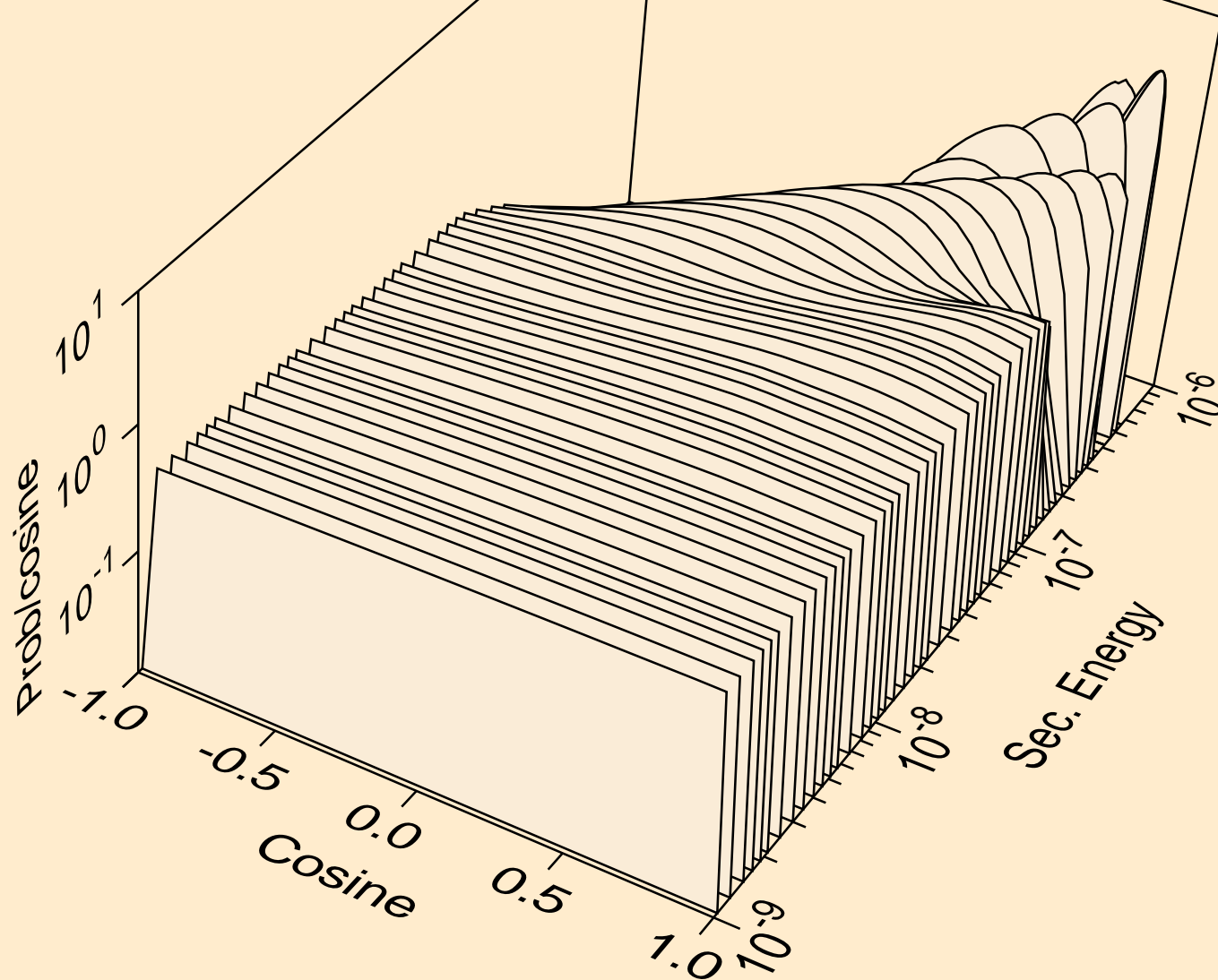
COLD LIQUID METHANE AT 100K ENDF/B-VII
thermal inelastic for $e = 1.417 \times 10^{-8}$ MeV



COLD LIQUID METHANE AT 100K ENDF/B-VII
thermal inelastic for $e = 9.000E-08$ MeV



COLD LIQUID METHANE AT 100K ENDF/B-VII
thermal inelastic for $e = 5.033E-07$ MeV



COLD LIQUID METHANE AT 100K ENDF/B-VII
thermal inelastic for $e = 4.070E-06$ MeV

