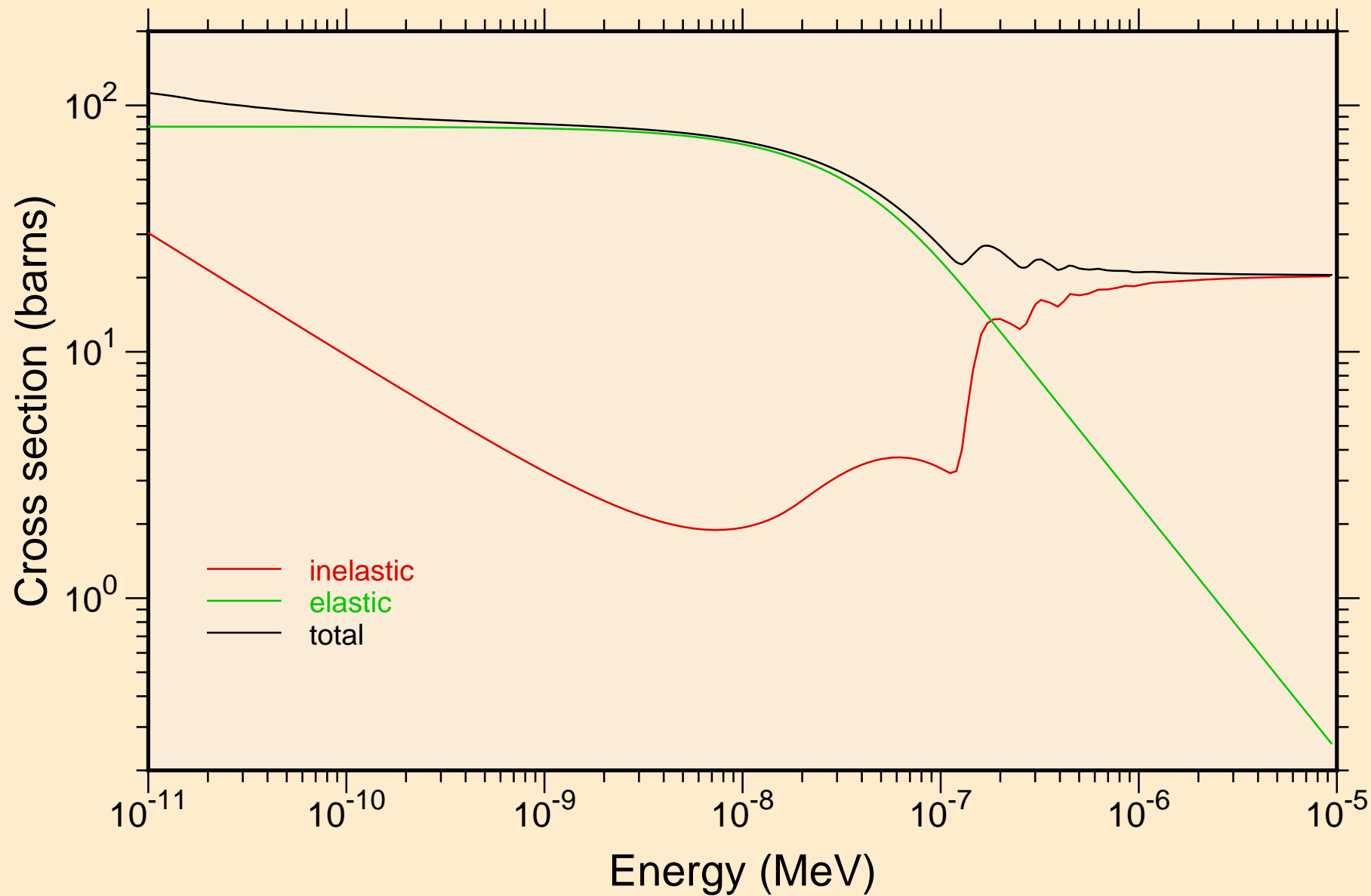


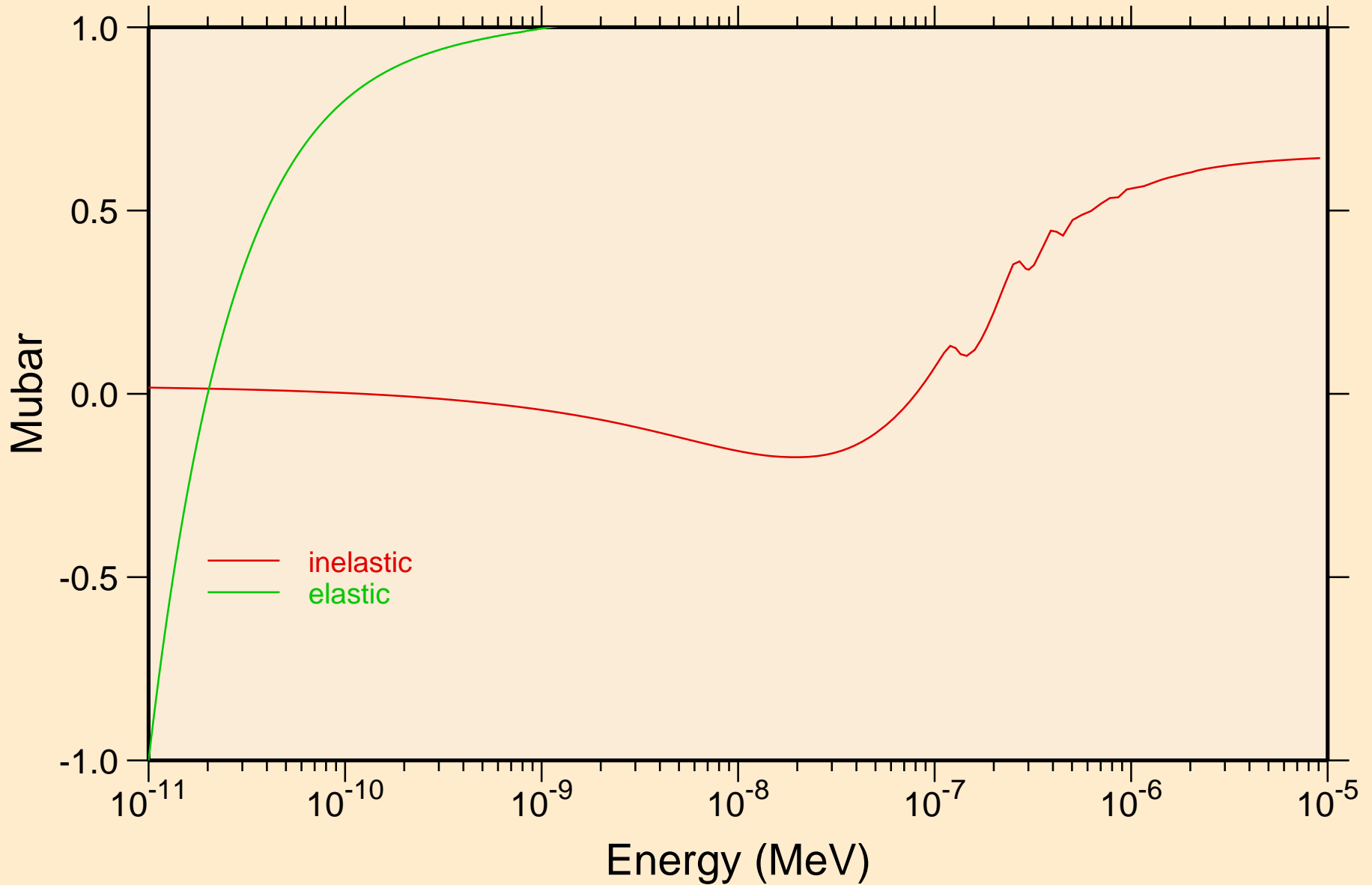
H(ZRH) AT 293.6K FROM ENDF/B-VII

Thermal cross sections



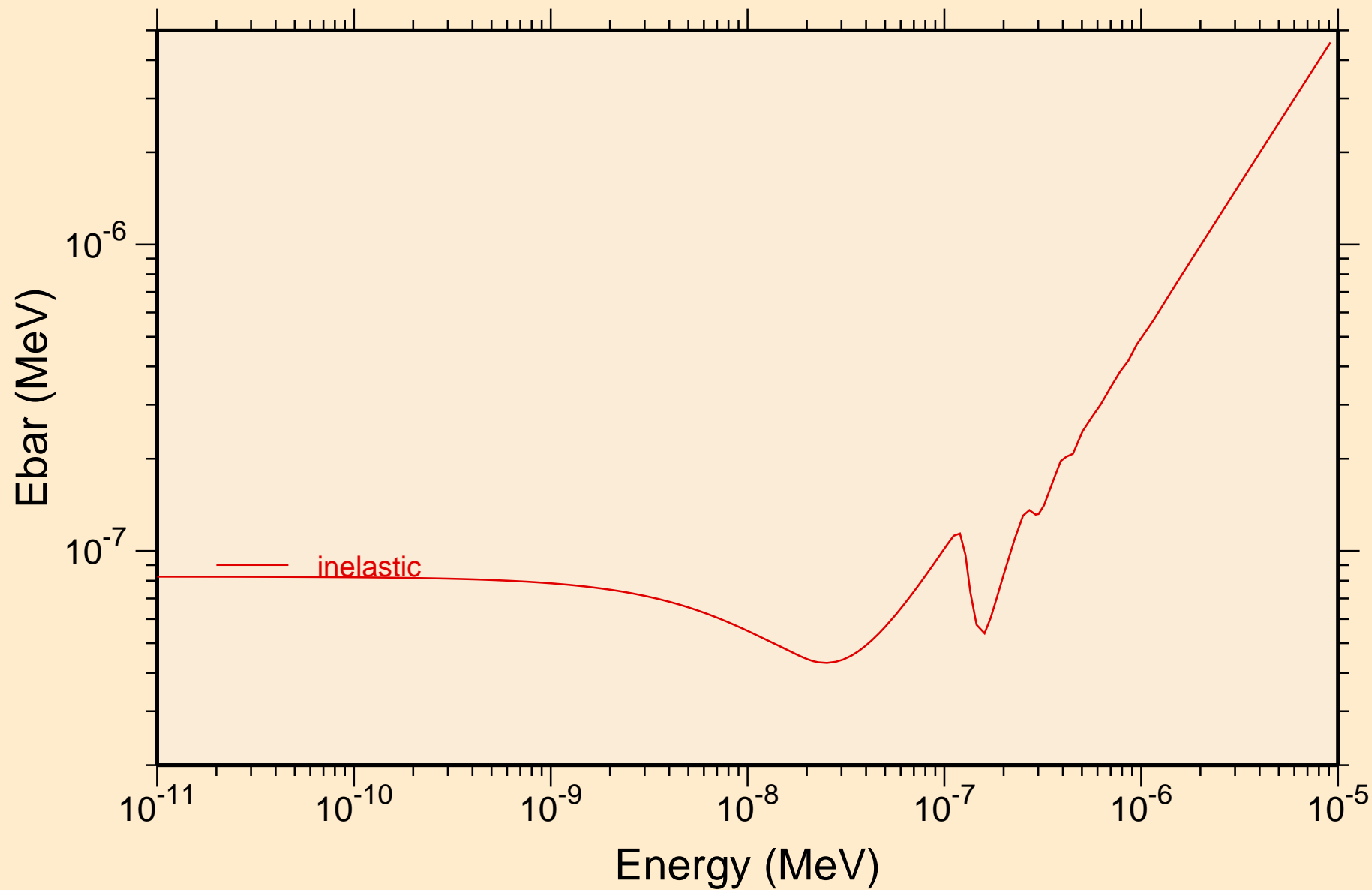
H(ZRH) AT 293.6K FROM ENDF/B-VII

Thermal mubar

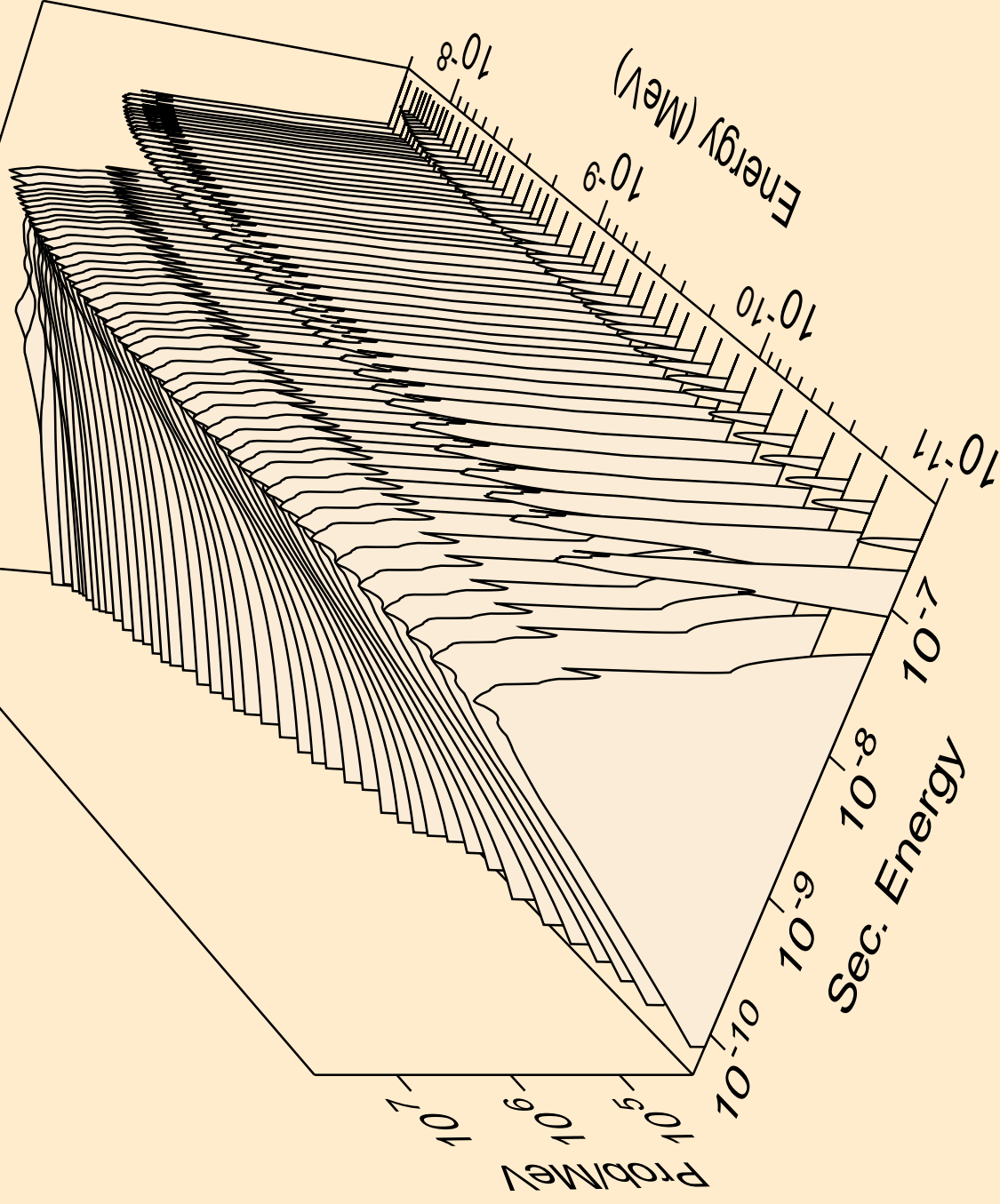


H(ZRH) AT 293.6K FROM ENDF/B-VII

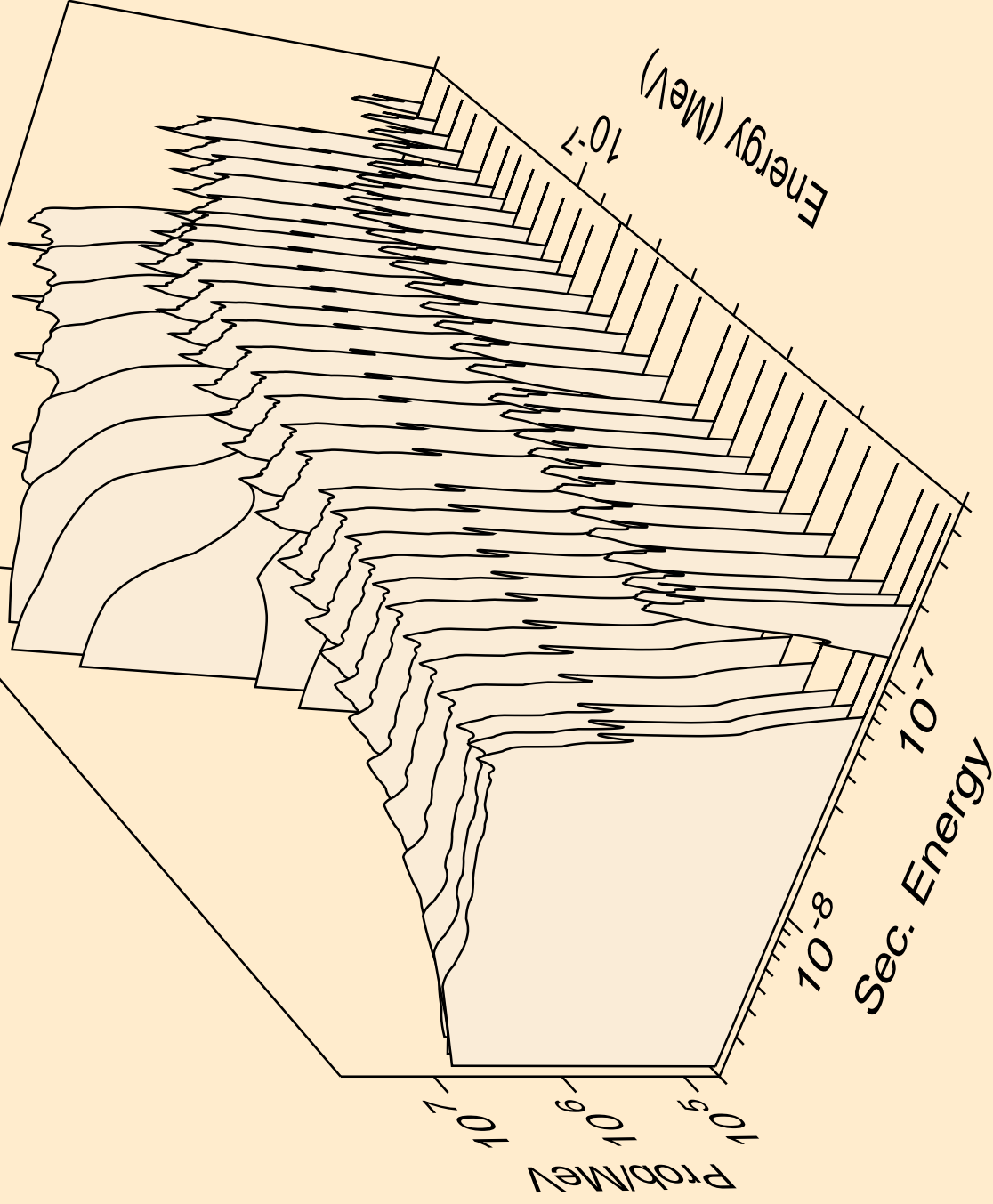
Thermal ebar



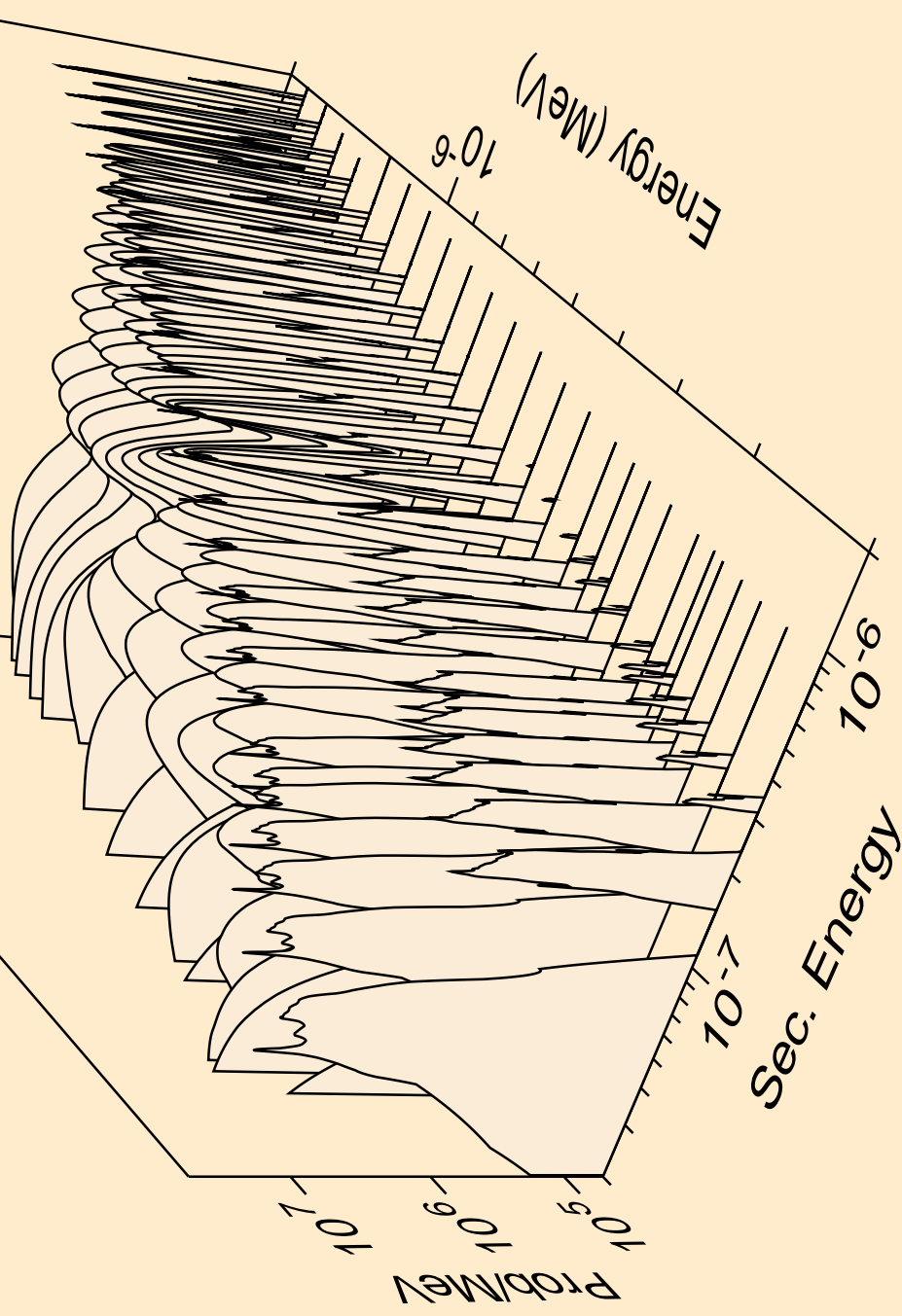
H(ZRH) AT 293.6K FROM ENDF/B-VII
thermal inelastic



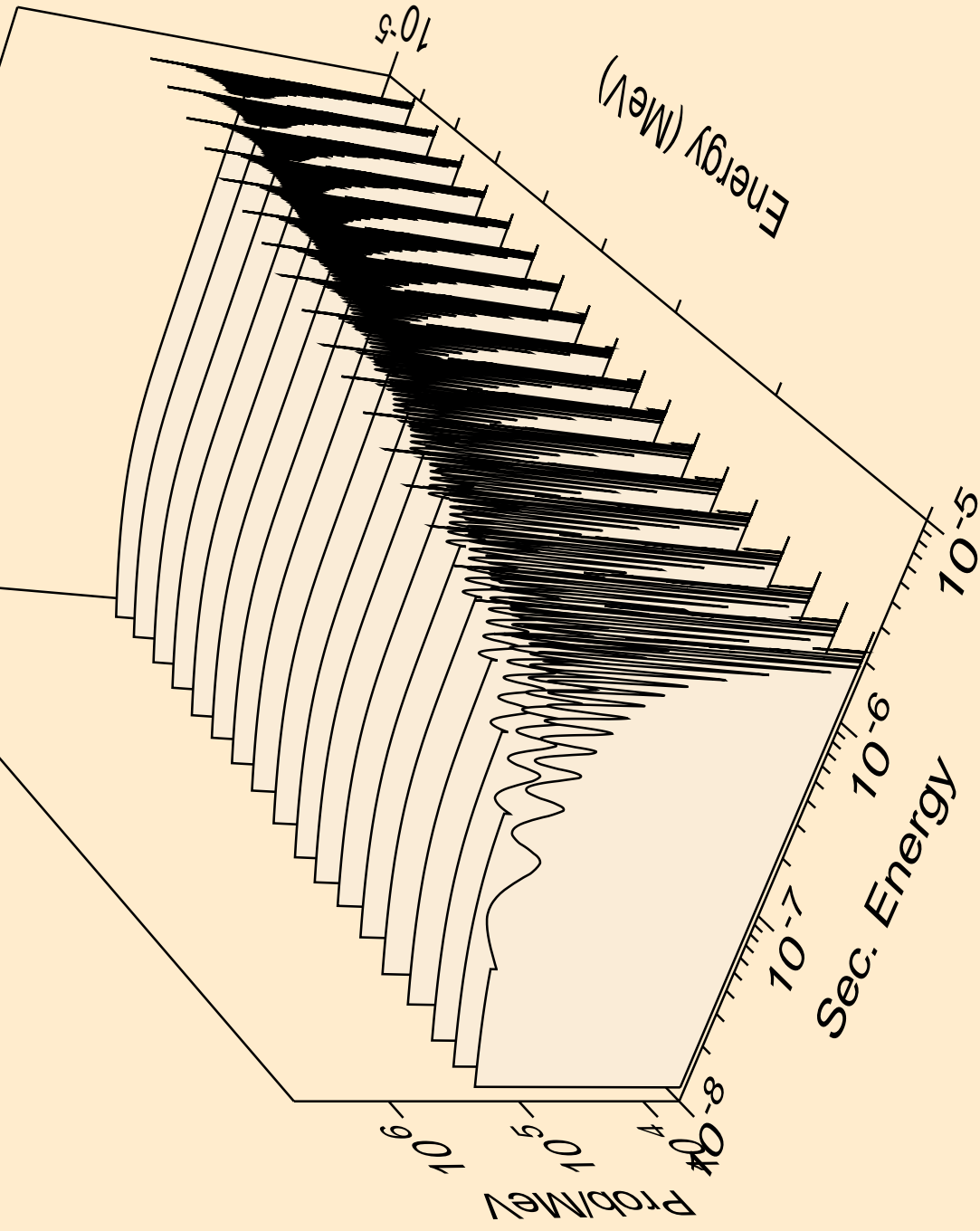
H(ZRH) AT 293.6K FROM ENDF/B-VII
thermal inelastic



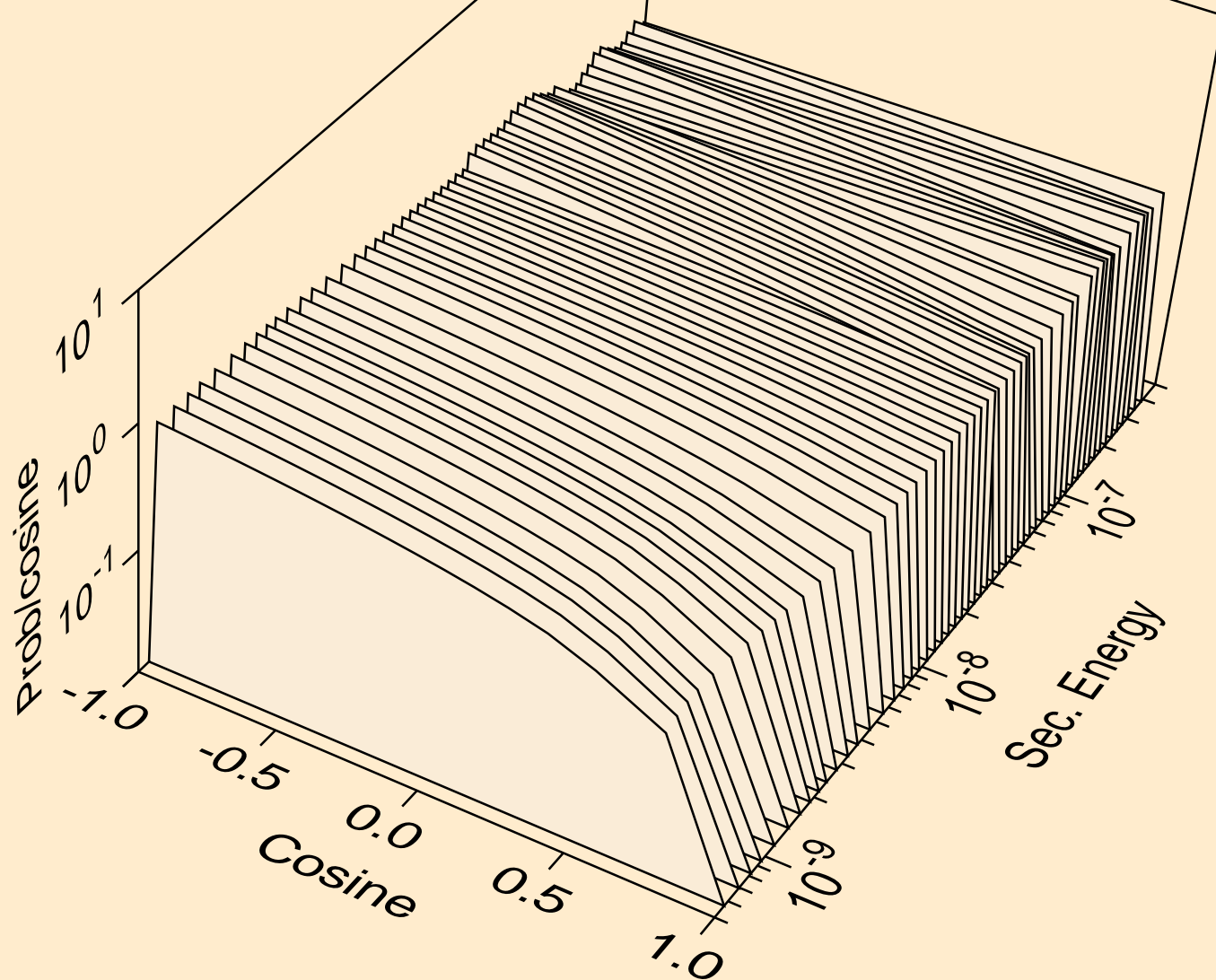
H(ZRH) AT 293.6K FROM ENDF/B-VII
thermal inelastic



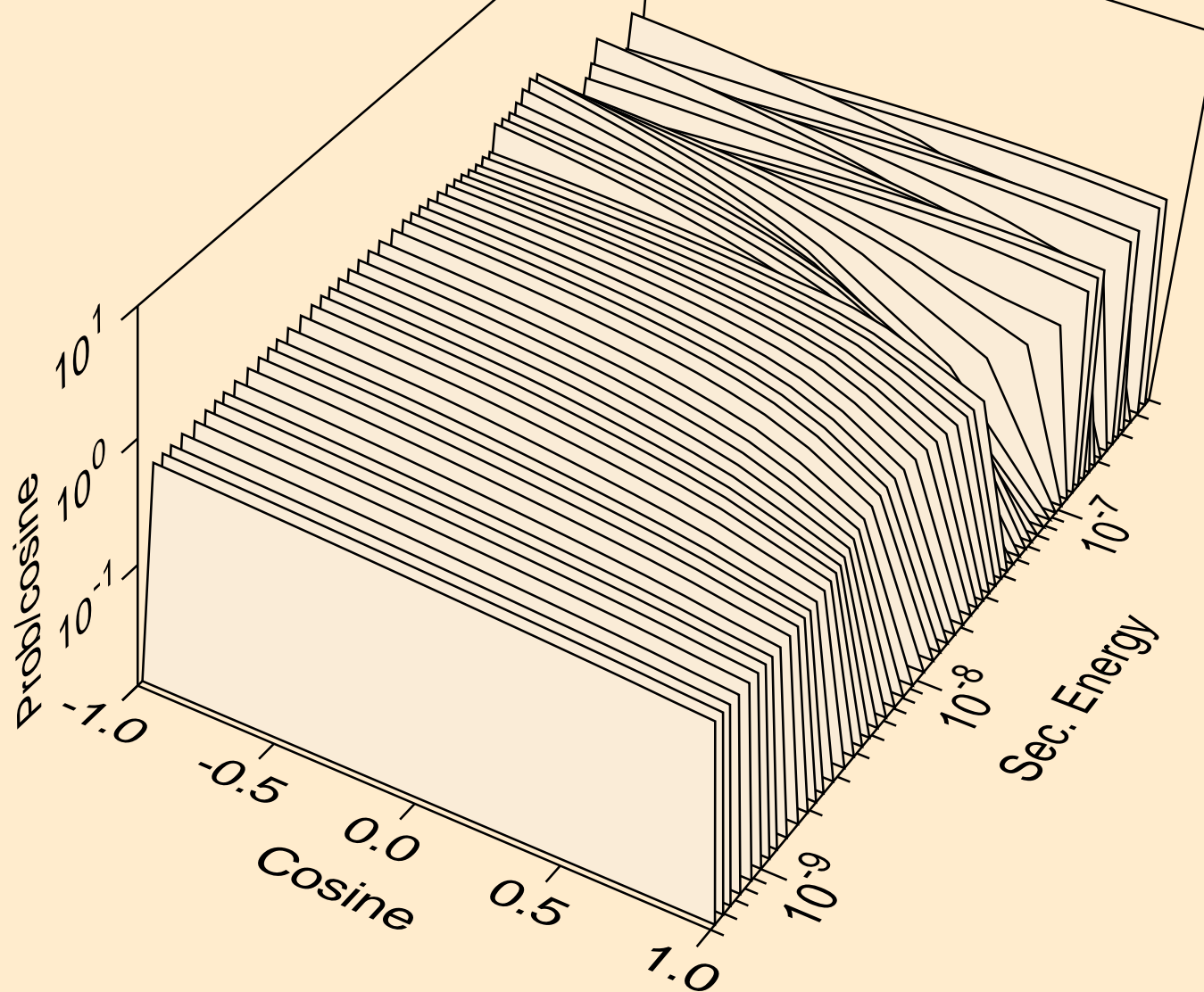
H(ZRH) AT 293.6K FROM ENDF/B-VII
thermal inelastic



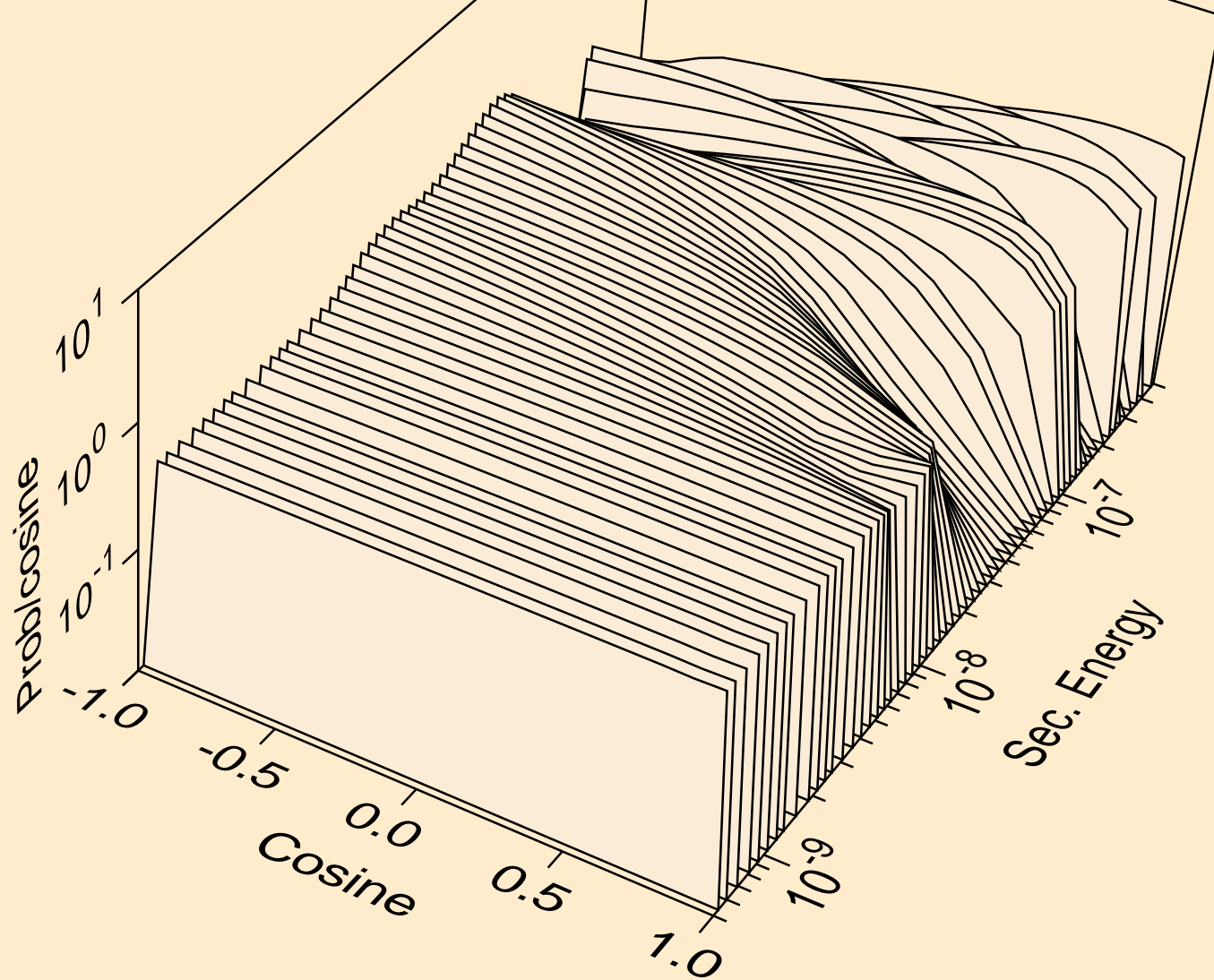
H(ZRH) AT 293.6K FROM ENDF/B-VII
thermal inelastic for $e = 1.012E-09$ MeV



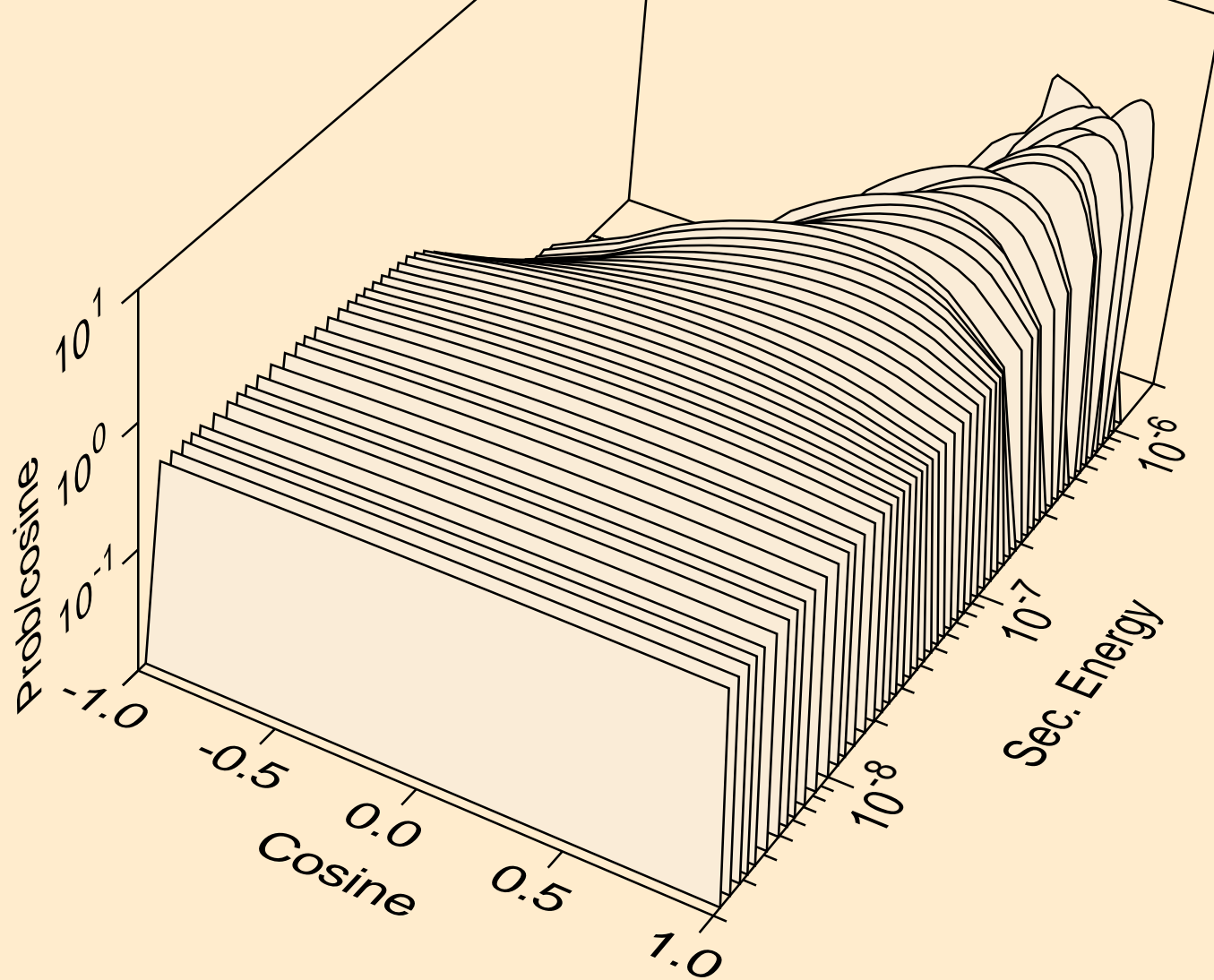
H(ZRH) AT 293.6K FROM ENDF/B-VII
thermal inelastic for $e = 1.619 \times 10^{-8}$ MeV



H(ZRH) AT 293.6K FROM ENDF/B-VII
thermal inelastic for $e = 1.200E-07$ MeV



H(ZRH) AT 293.6K FROM ENDF/B-VII
thermal inelastic for $e = 9.500E-07$ MeV



H(ZRH) AT 293.6K FROM ENDF/B-VII
thermal inelastic for e= 8.400E-06 MeV

