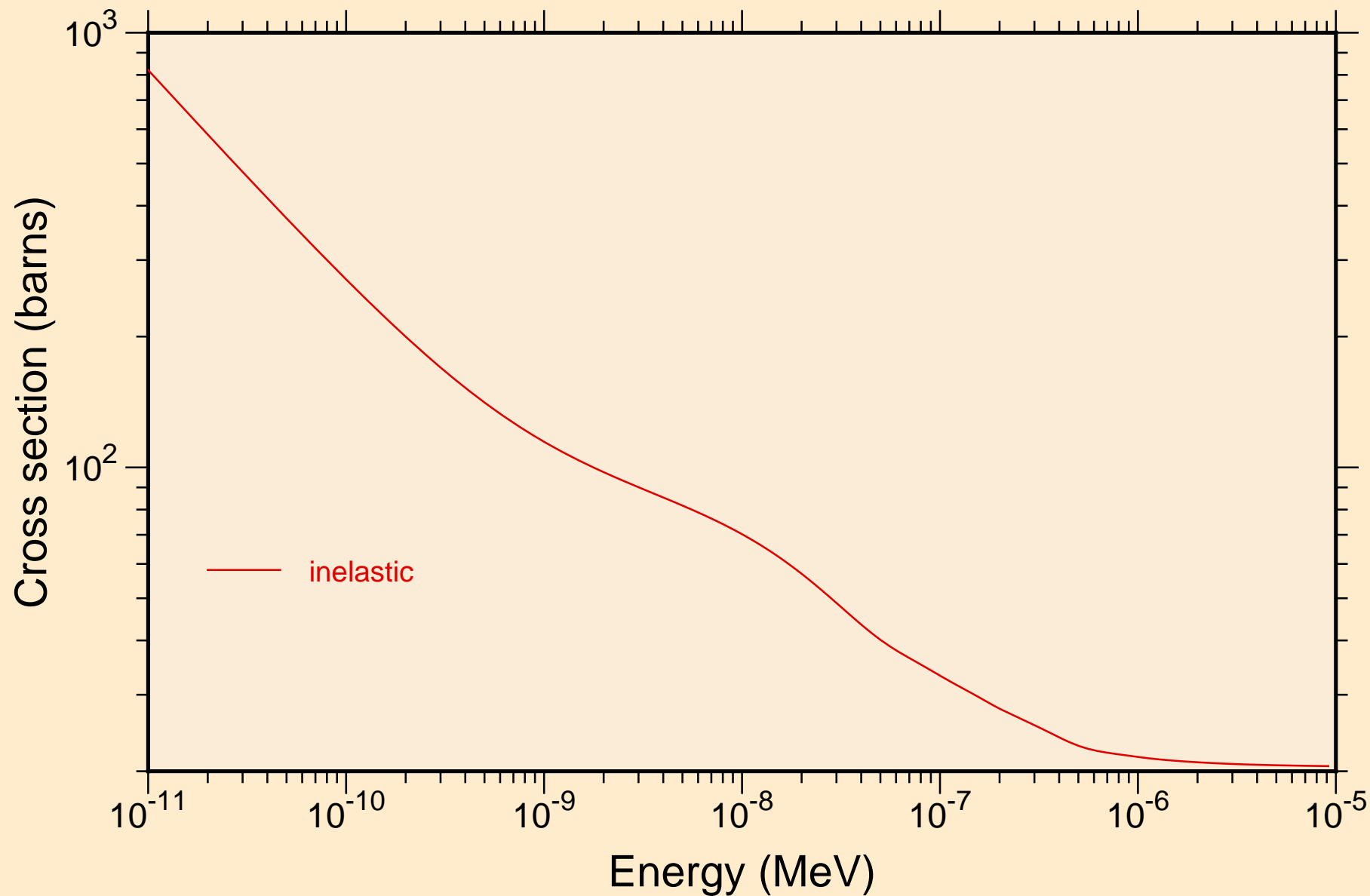
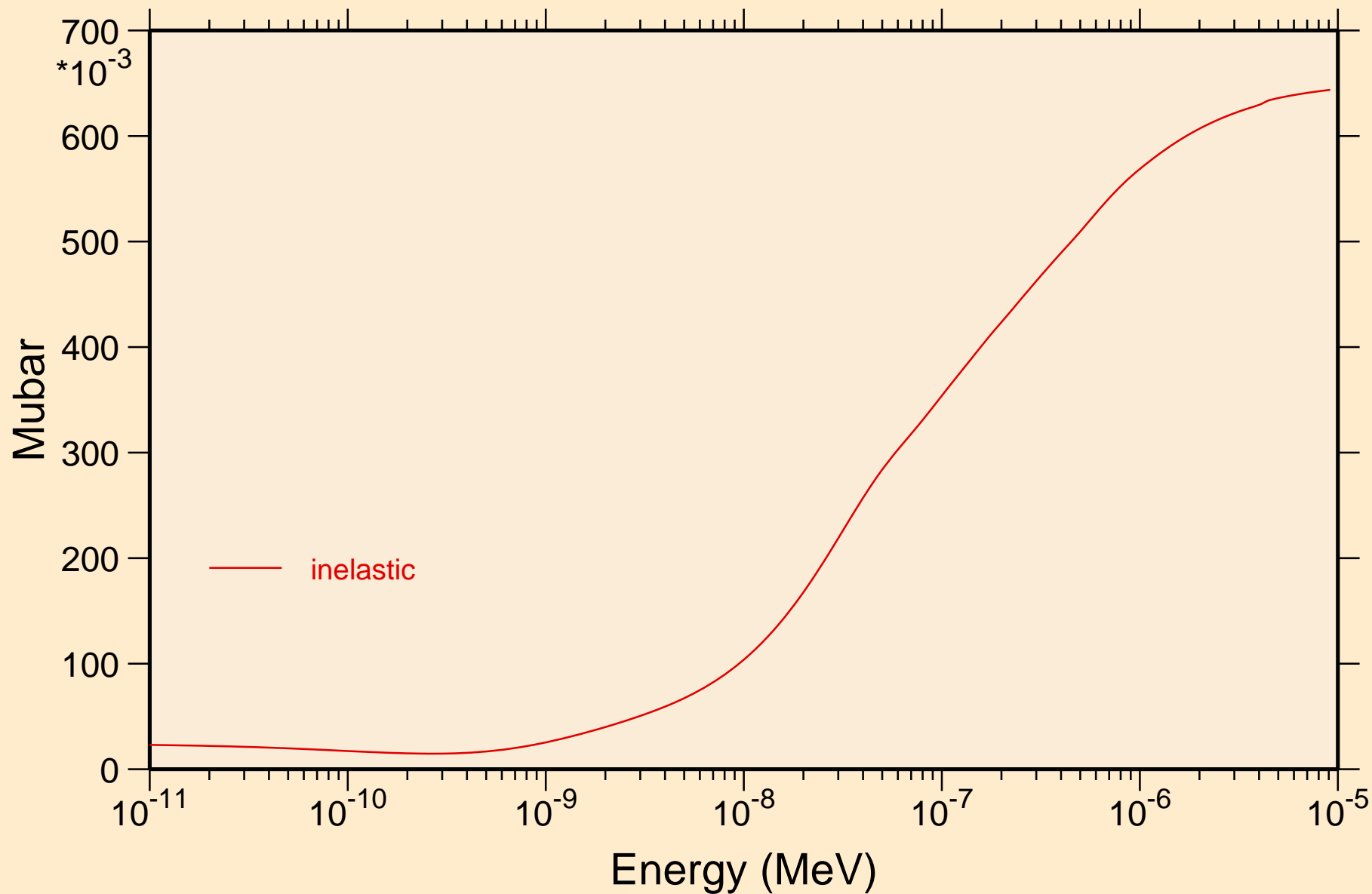


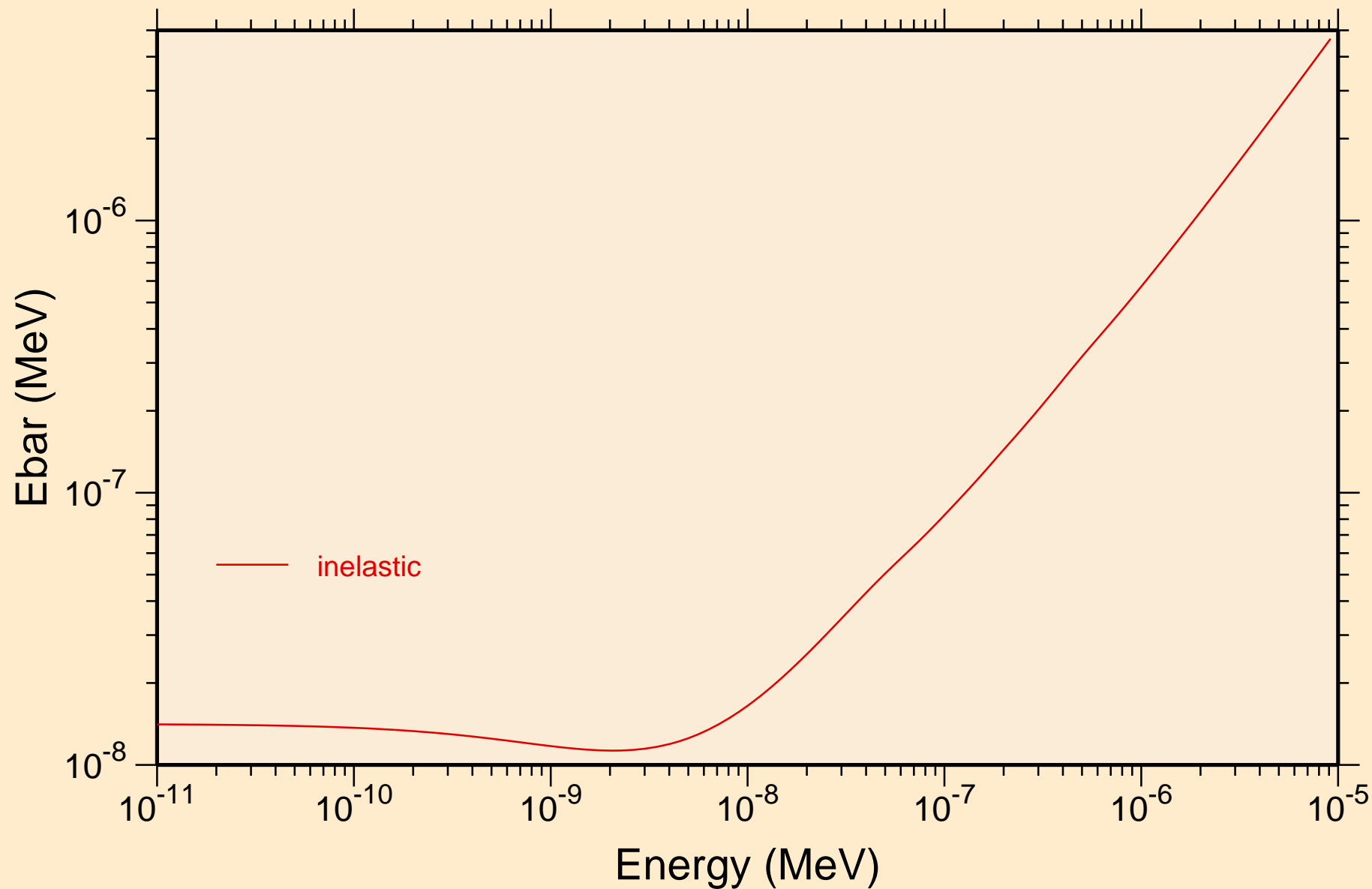
1-H-1 IN H2O AT 293.6K FROM ENDF/B-VII USING CONTINUOUS Thermal cross sections



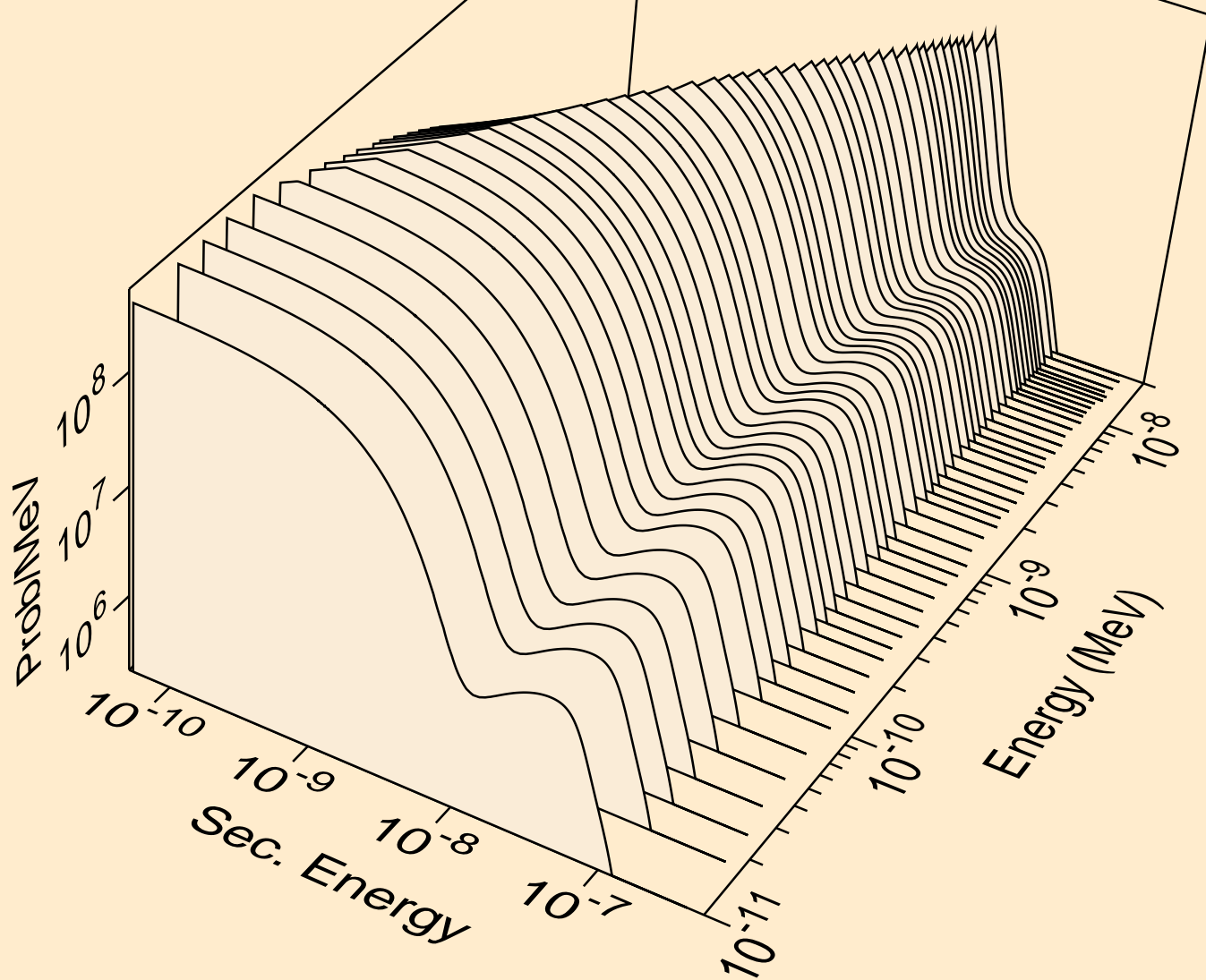
1-H-1 IN H2O AT 293.6K FROM ENDF/B-VII USING CONTINUOUS Thermal mubar



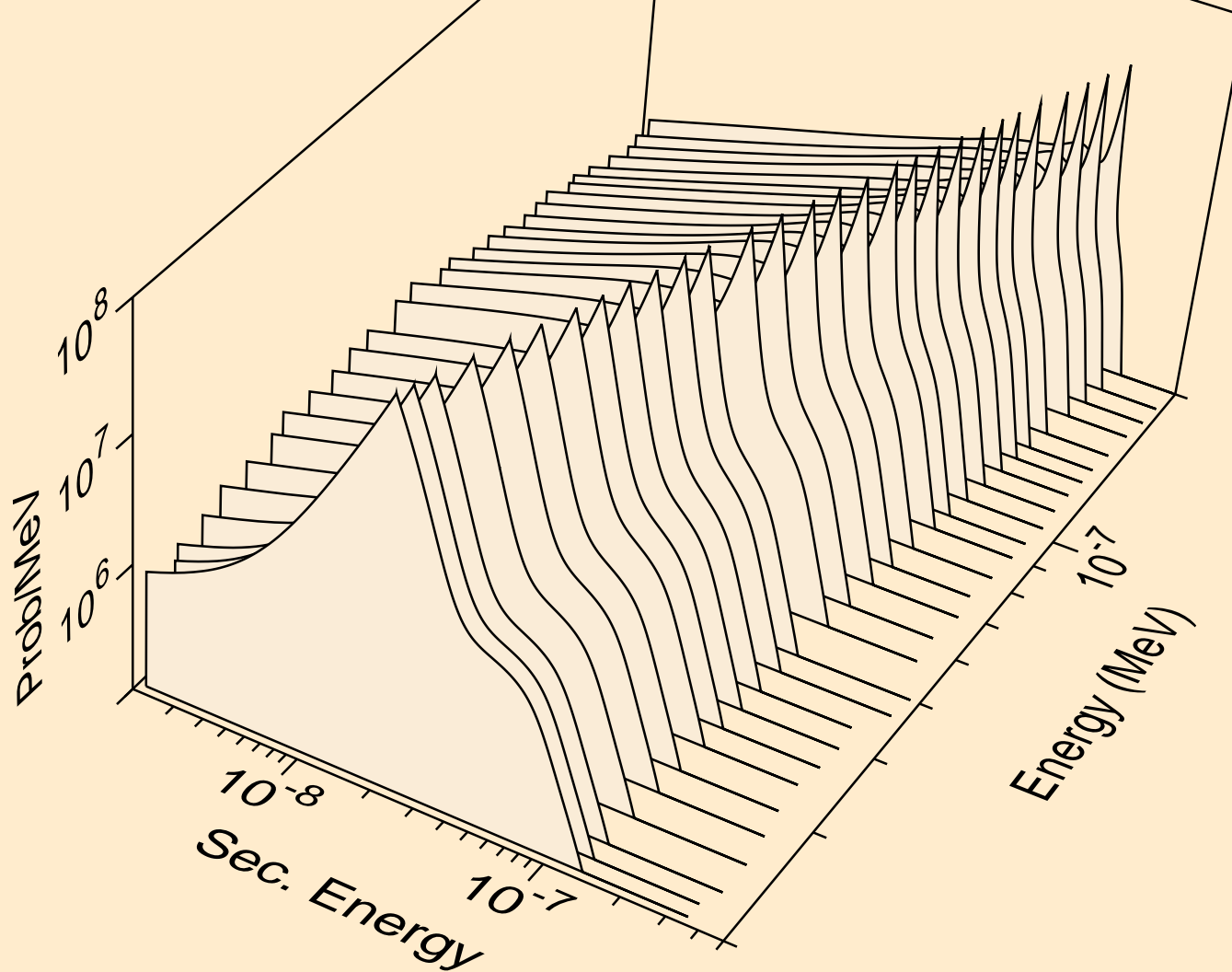
1-H-1 IN H2O AT 293.6K FROM ENDF/B-VII USING CONTINUOUS Thermal ebar



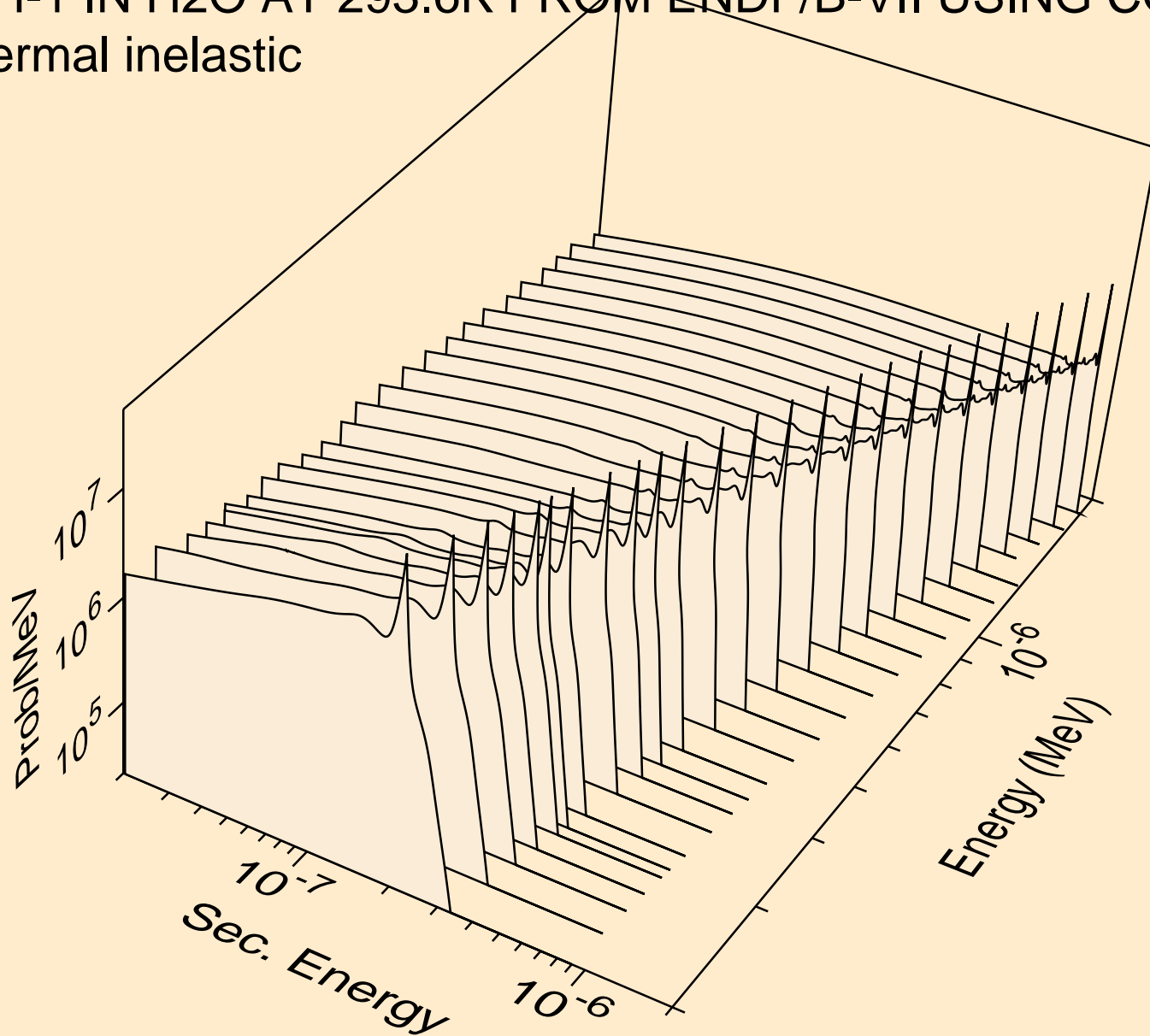
1-H-1 IN H2O AT 293.6K FROM ENDF/B-VII USING CONTINUOUS thermal inelastic



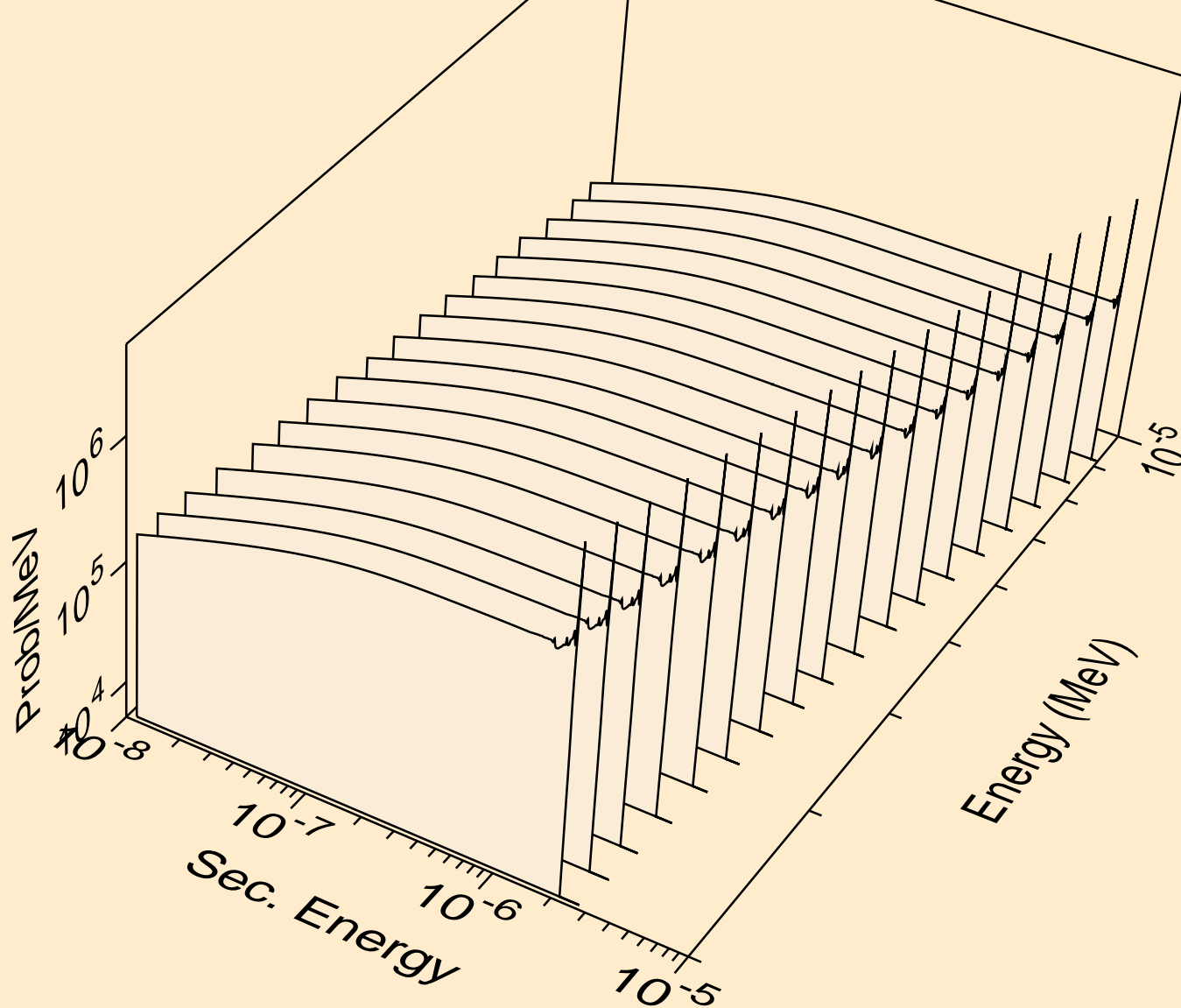
1-H-1 IN H2O AT 293.6K FROM ENDF/B-VII USING CONTINUOUS thermal inelastic



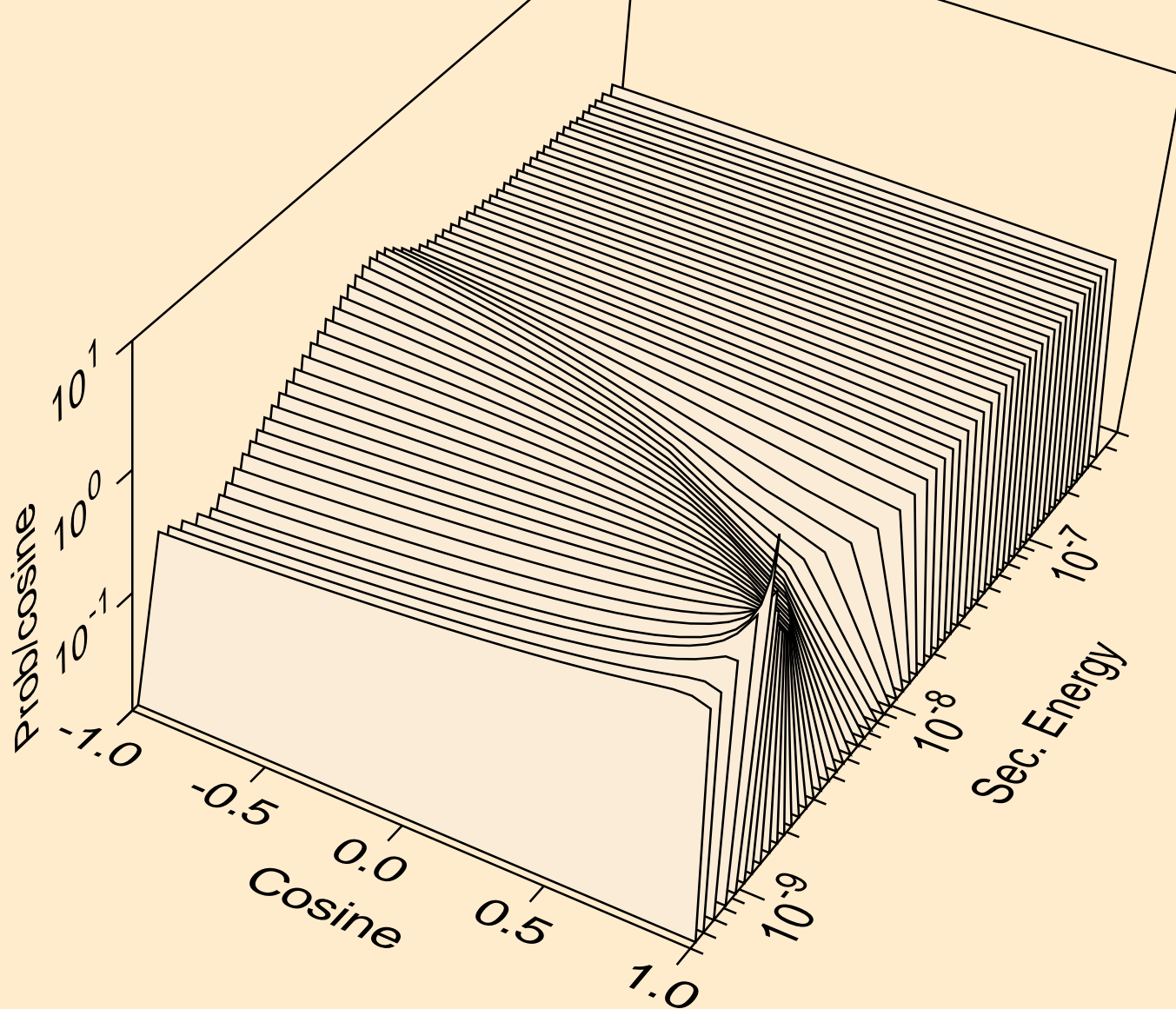
1-H-1 IN H2O AT 293.6K FROM ENDF/B-VII USING CONTINUOUS thermal inelastic



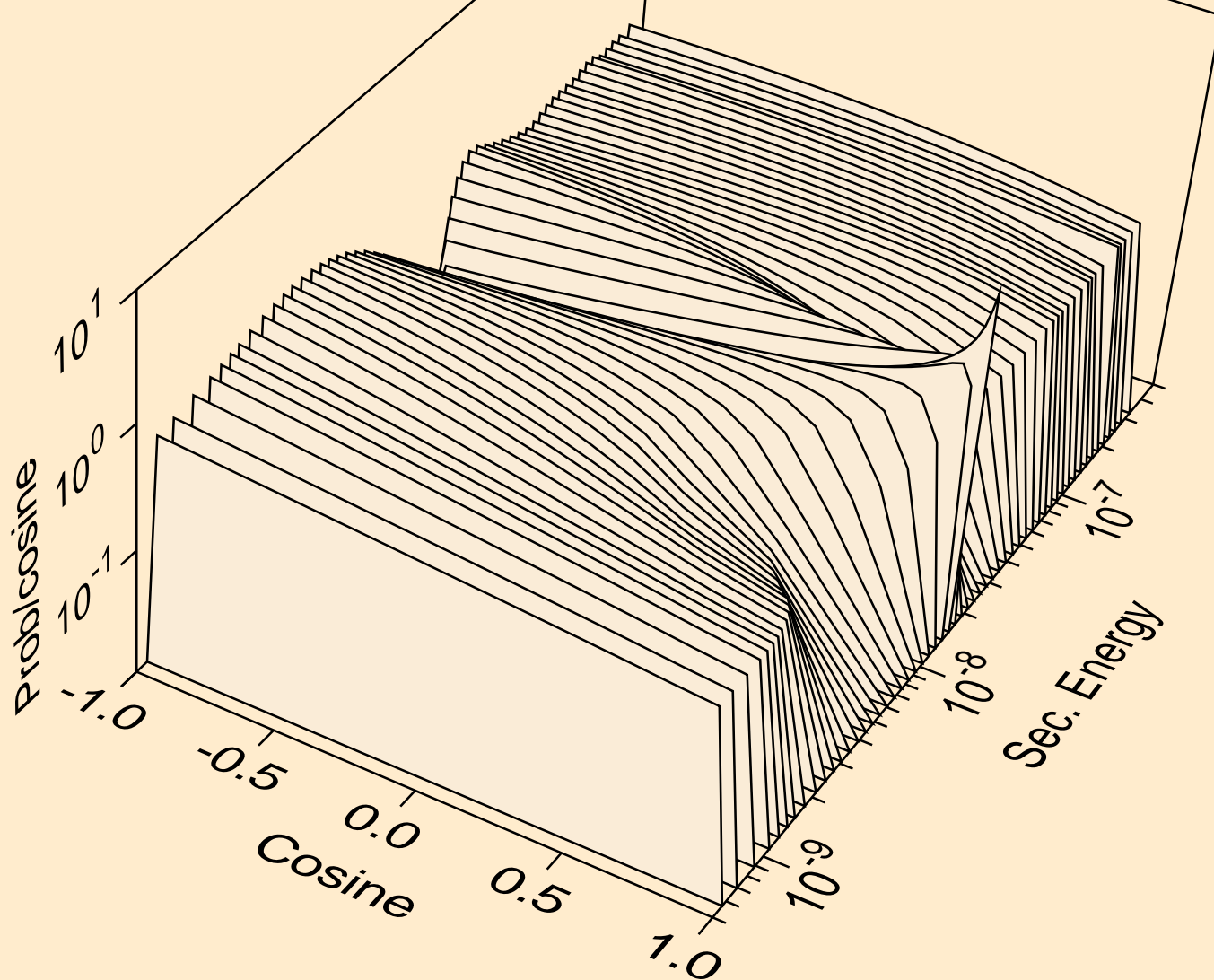
1-H-1 IN H2O AT 293.6K FROM ENDF/B-VII USING CONTINUOUS thermal inelastic



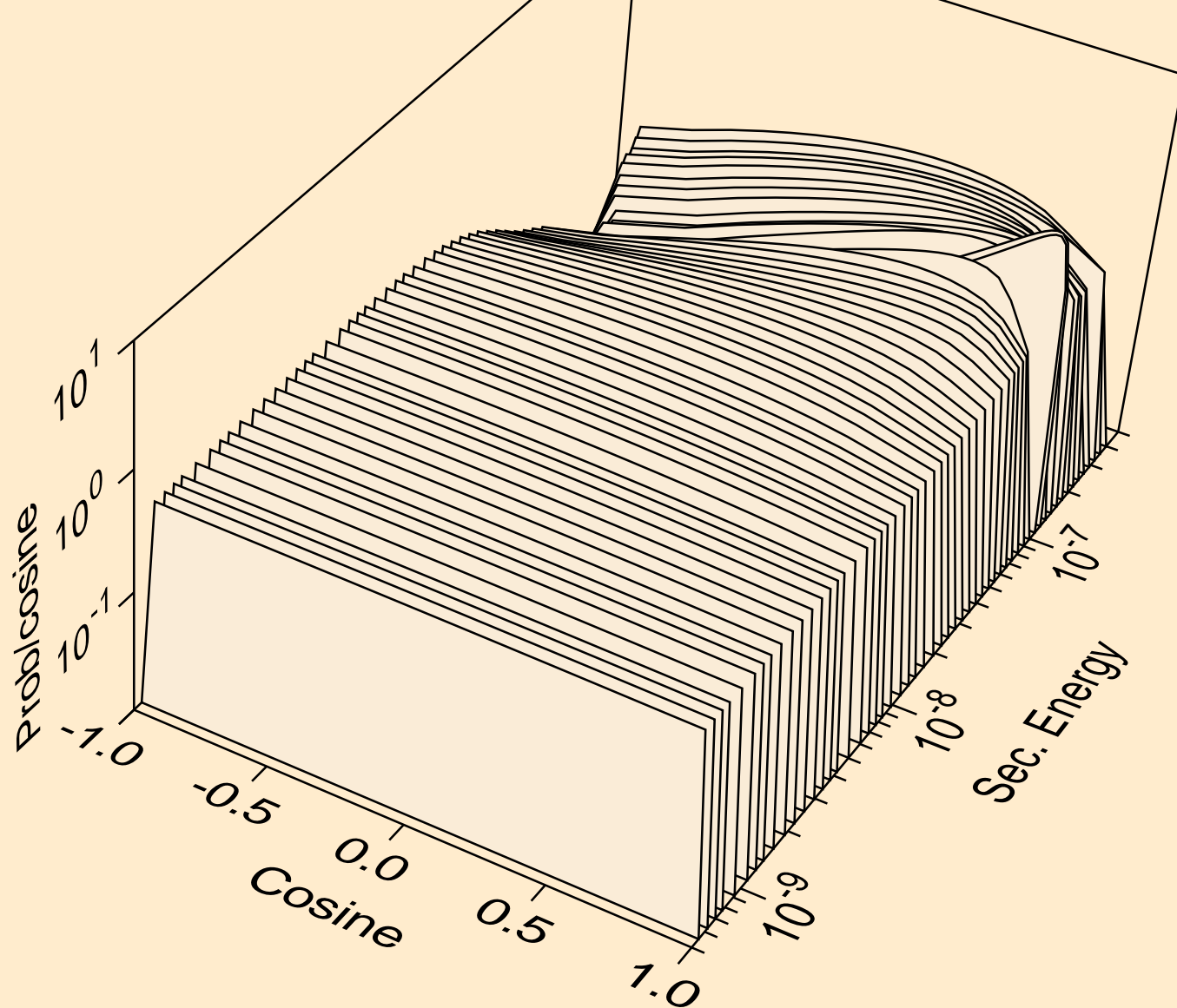
1-H-1 IN H2O AT 293.6K FROM ENDF/B-VII USING CONTINUOUS
thermal inelastic for $e = 1.012 \times 10^{-9}$ MeV



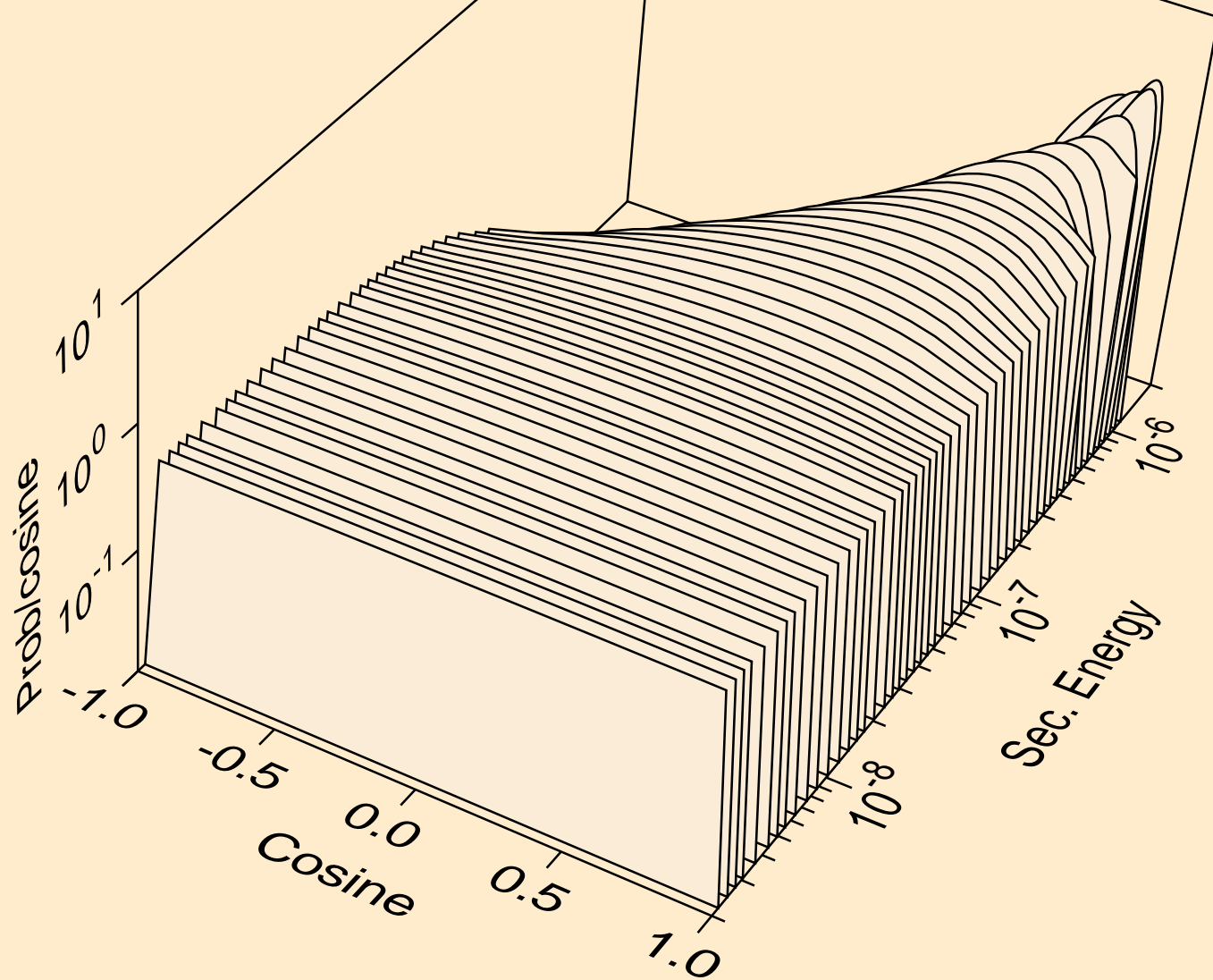
1-H-1 IN H2O AT 293.6K FROM ENDF/B-VII USING CONTINUOUS
thermal inelastic for $e = 1.619 \times 10^{-8}$ MeV



1-H-1 IN H2O AT 293.6K FROM ENDF/B-VII USING CONTINUOUS thermal inelastic for $e = 1.200E-07$ MeV



1-H-1 IN H2O AT 293.6K FROM ENDF/B-VII USING CONTINUOUS thermal inelastic for $e= 9.500E-07$ MeV



1-H-1 IN H2O AT 293.6K FROM ENDF/B-VII USING CONTINUOUS thermal inelastic for $e= 8.400E-06$ MeV

