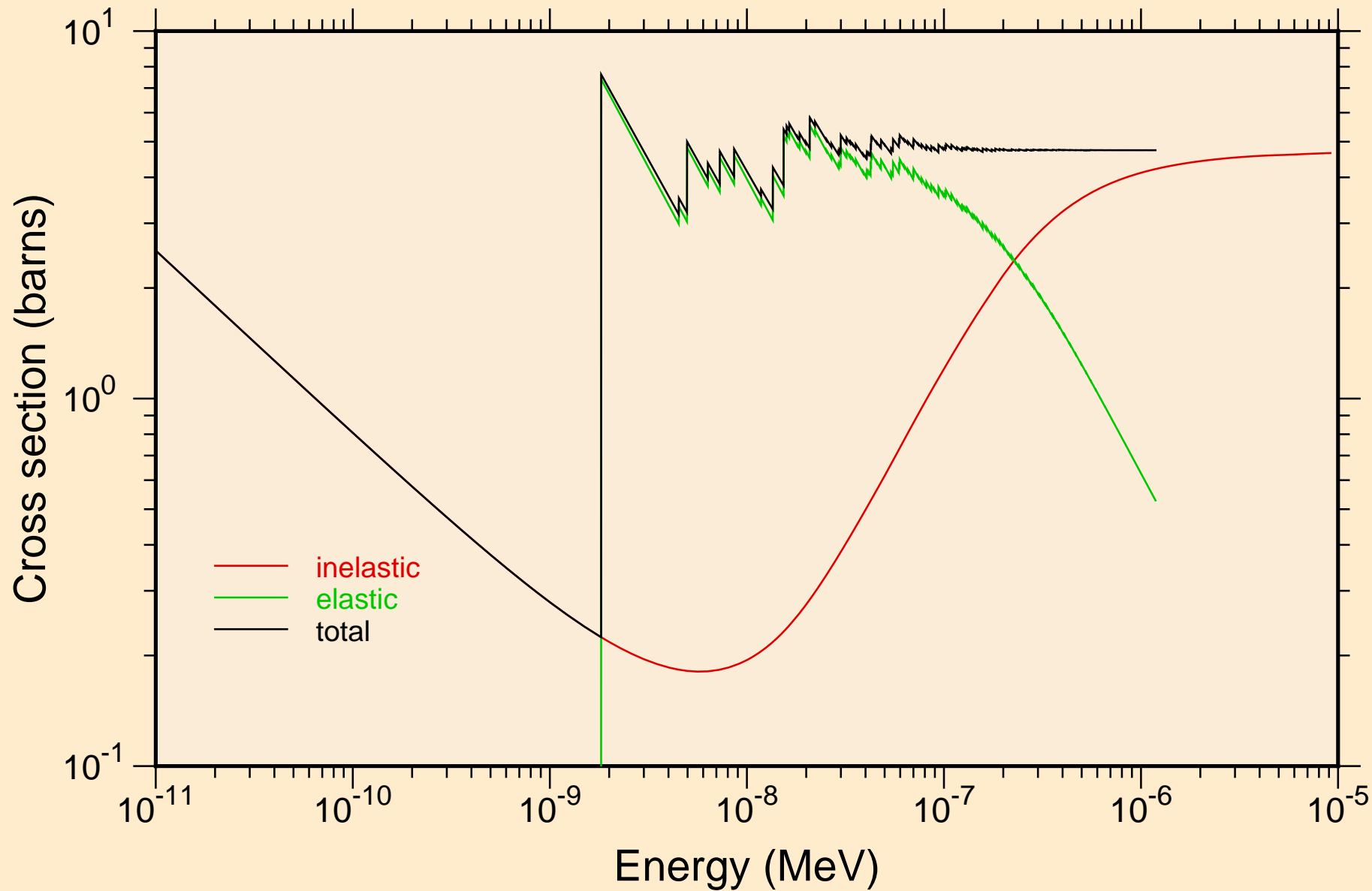


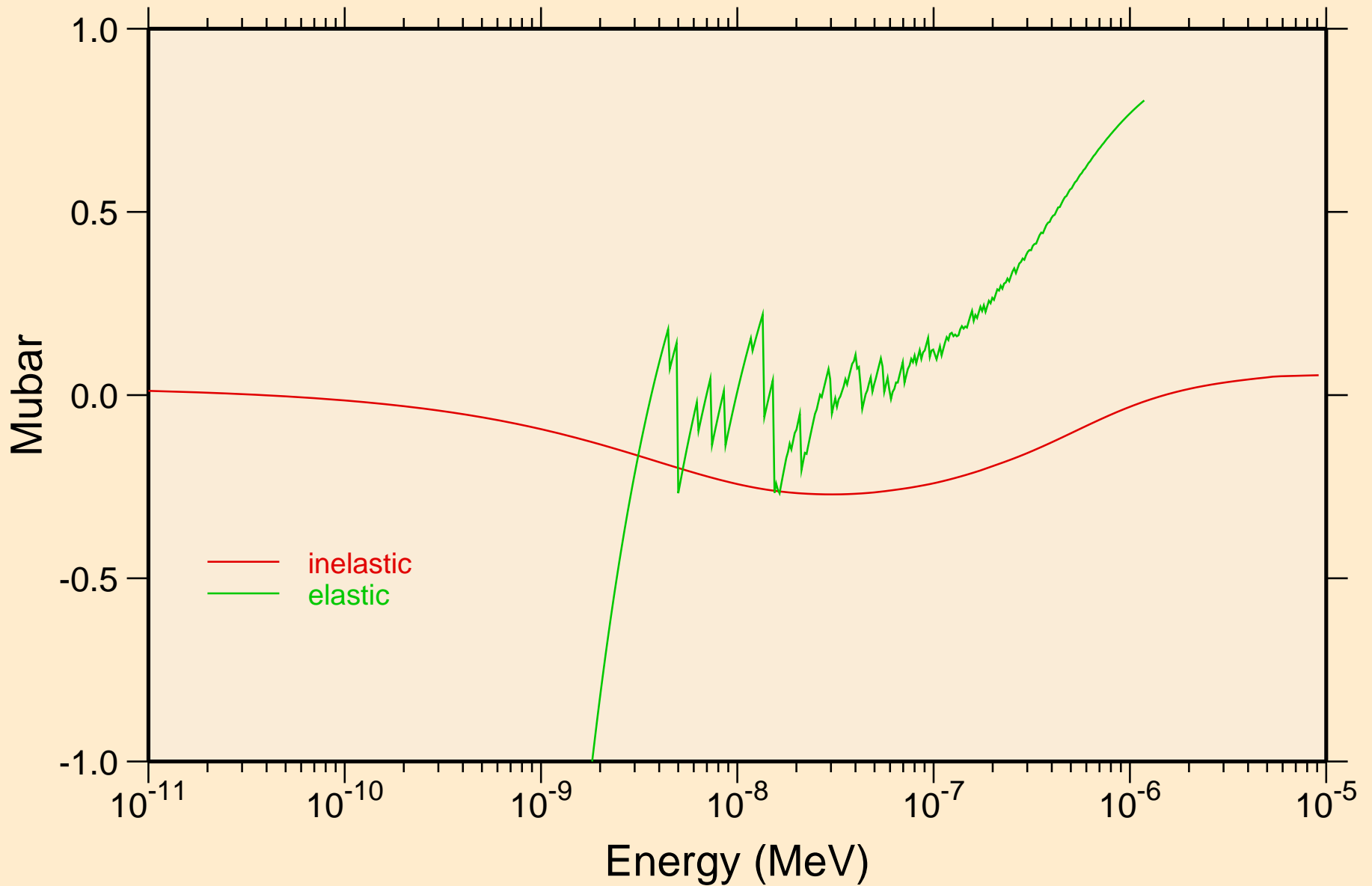
GRAPHITE AT 293.6K FROM ENDF/B-VII

Thermal cross sections



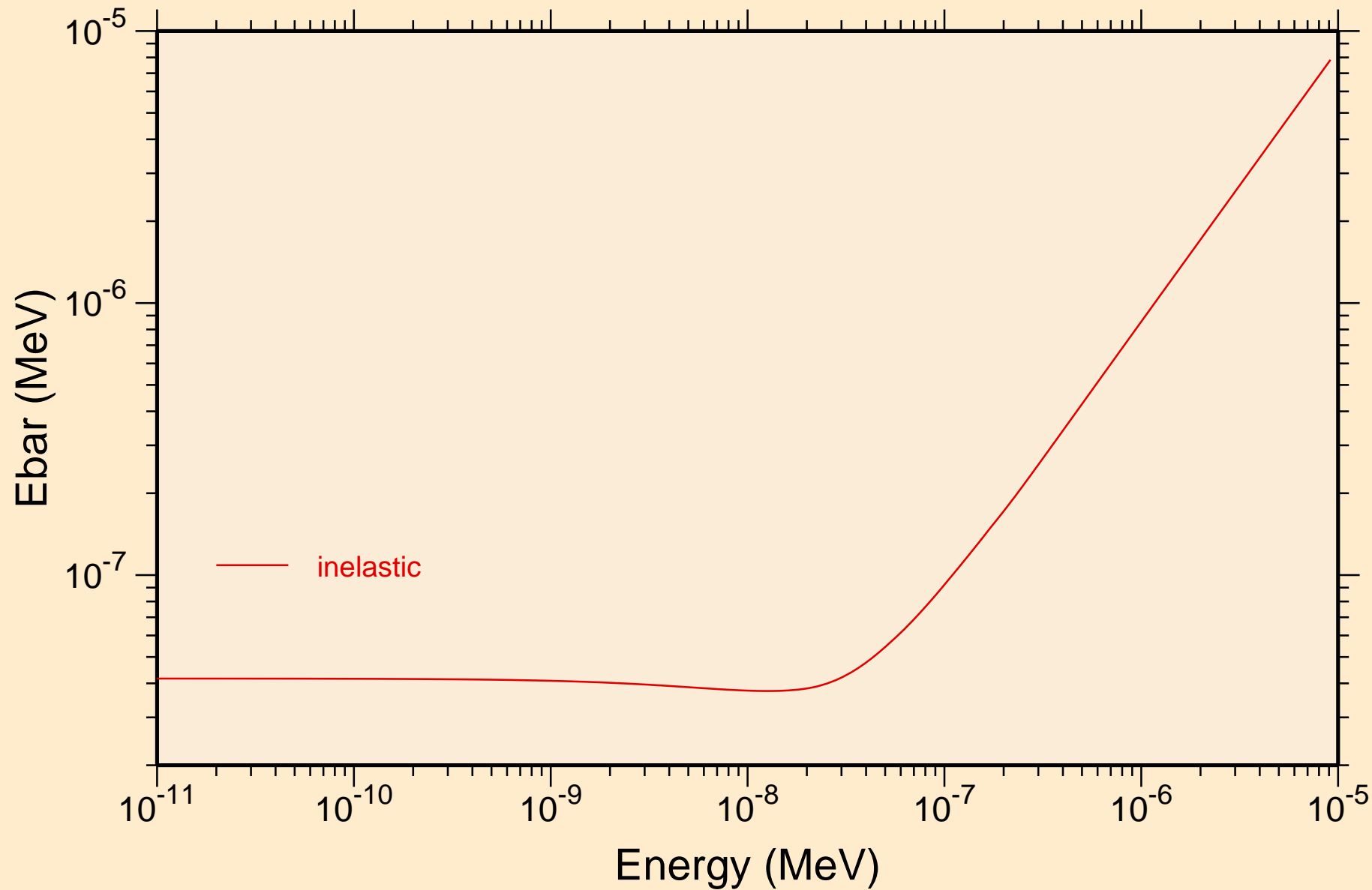
GRAPHITE AT 293.6K FROM ENDF/B-VII

Thermal mubar

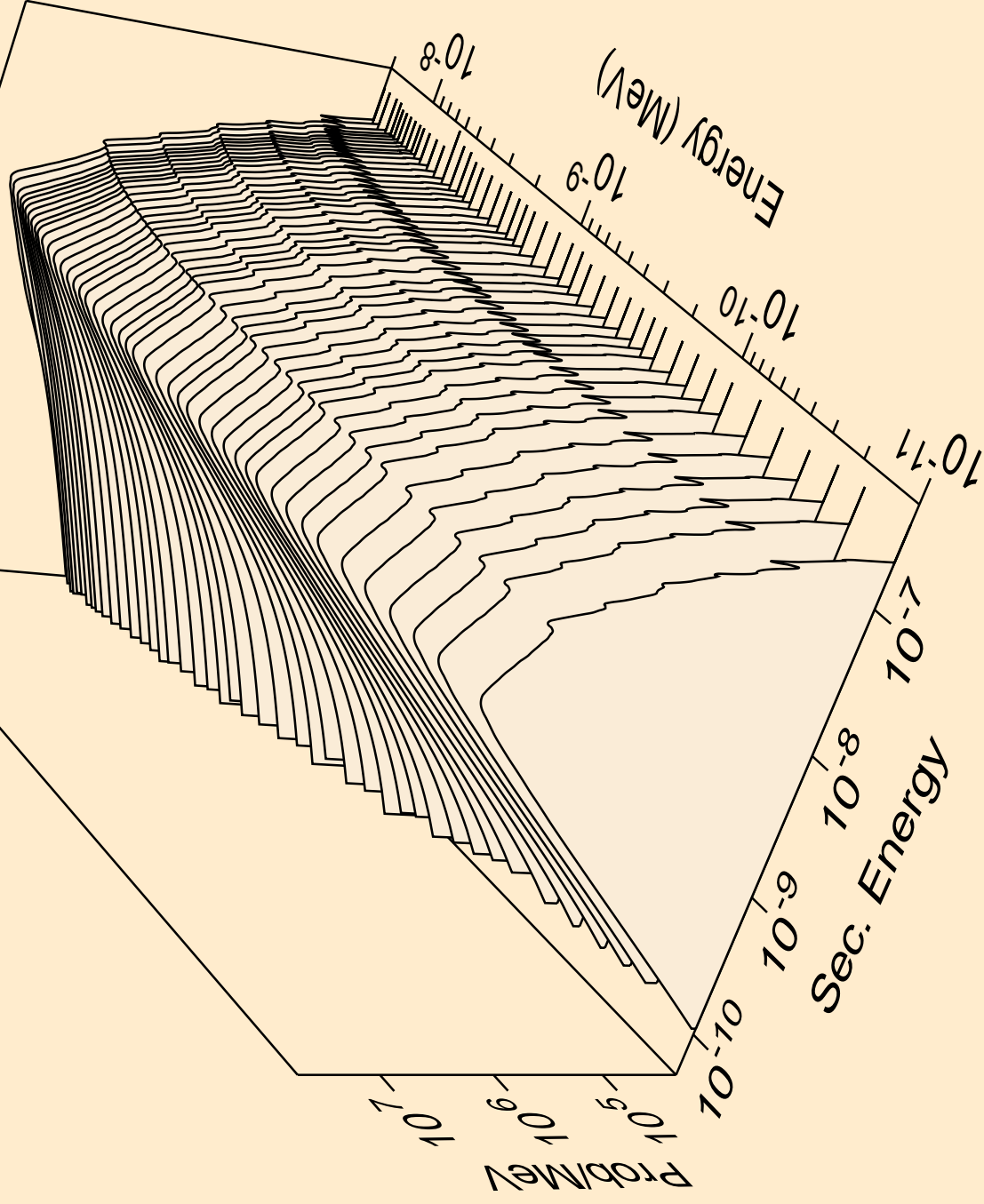


GRAPHITE AT 293.6K FROM ENDF/B-VII

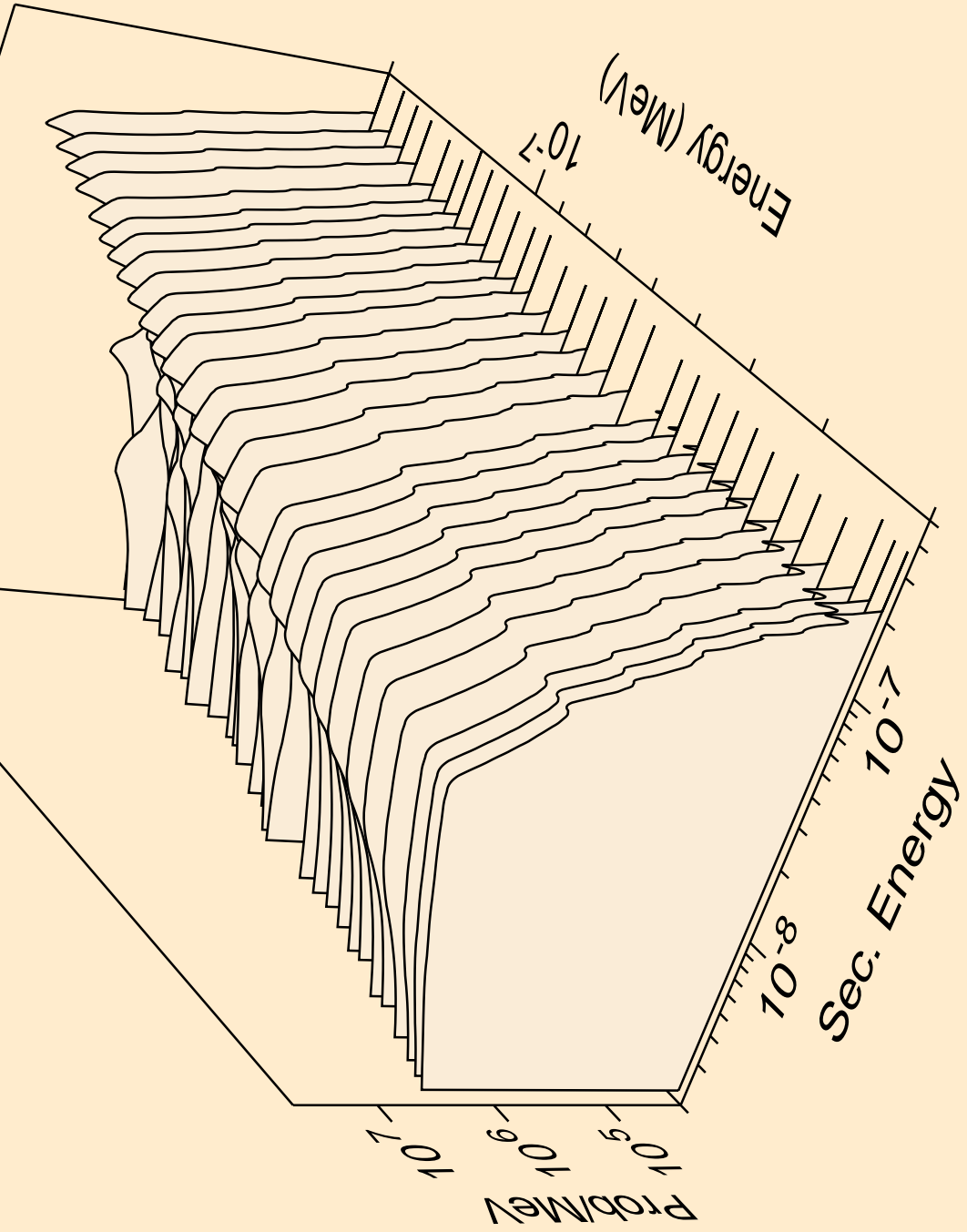
Thermal ebar



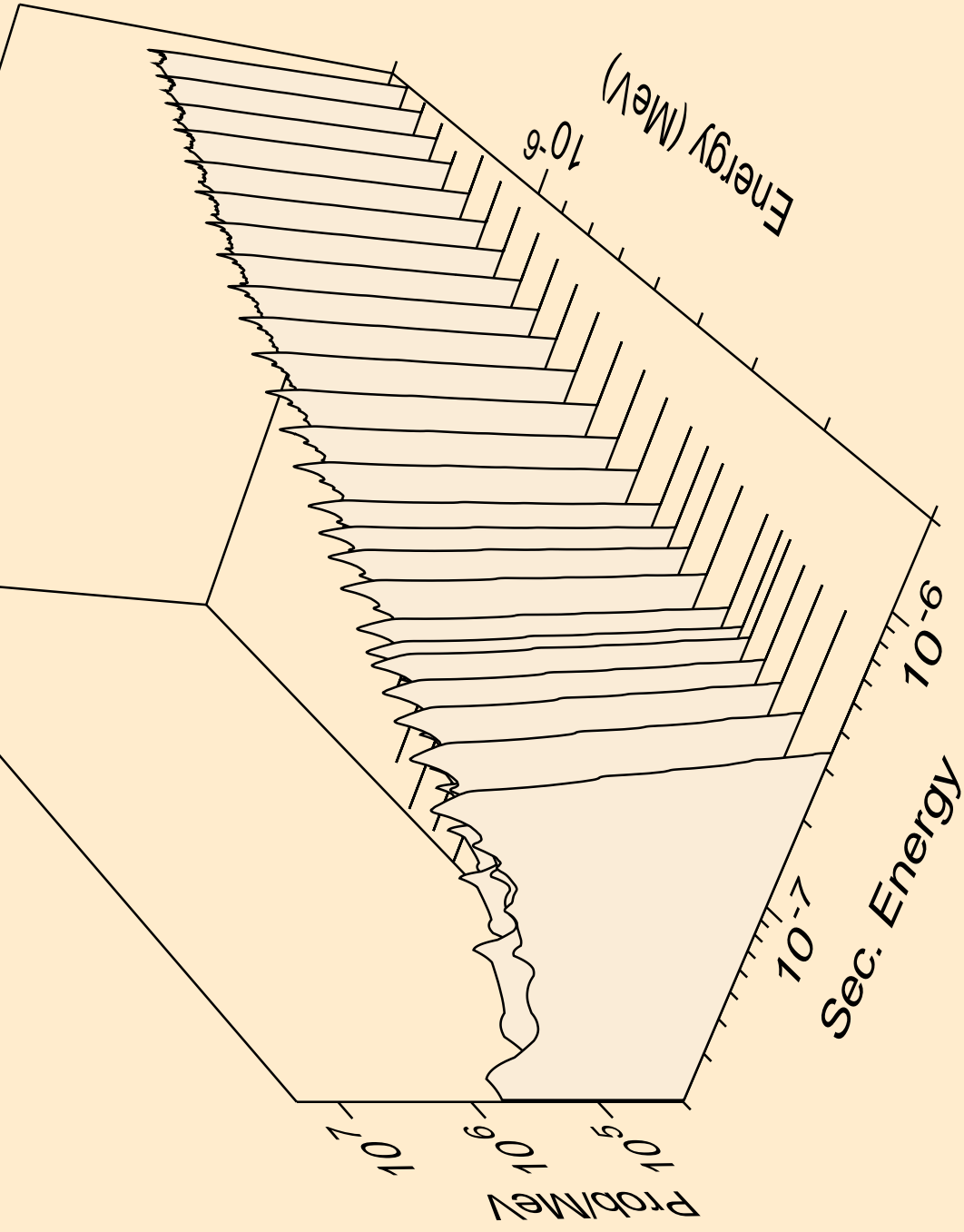
GRAPHITE AT 293.6K FROM ENDF/B-VII
thermal inelastic



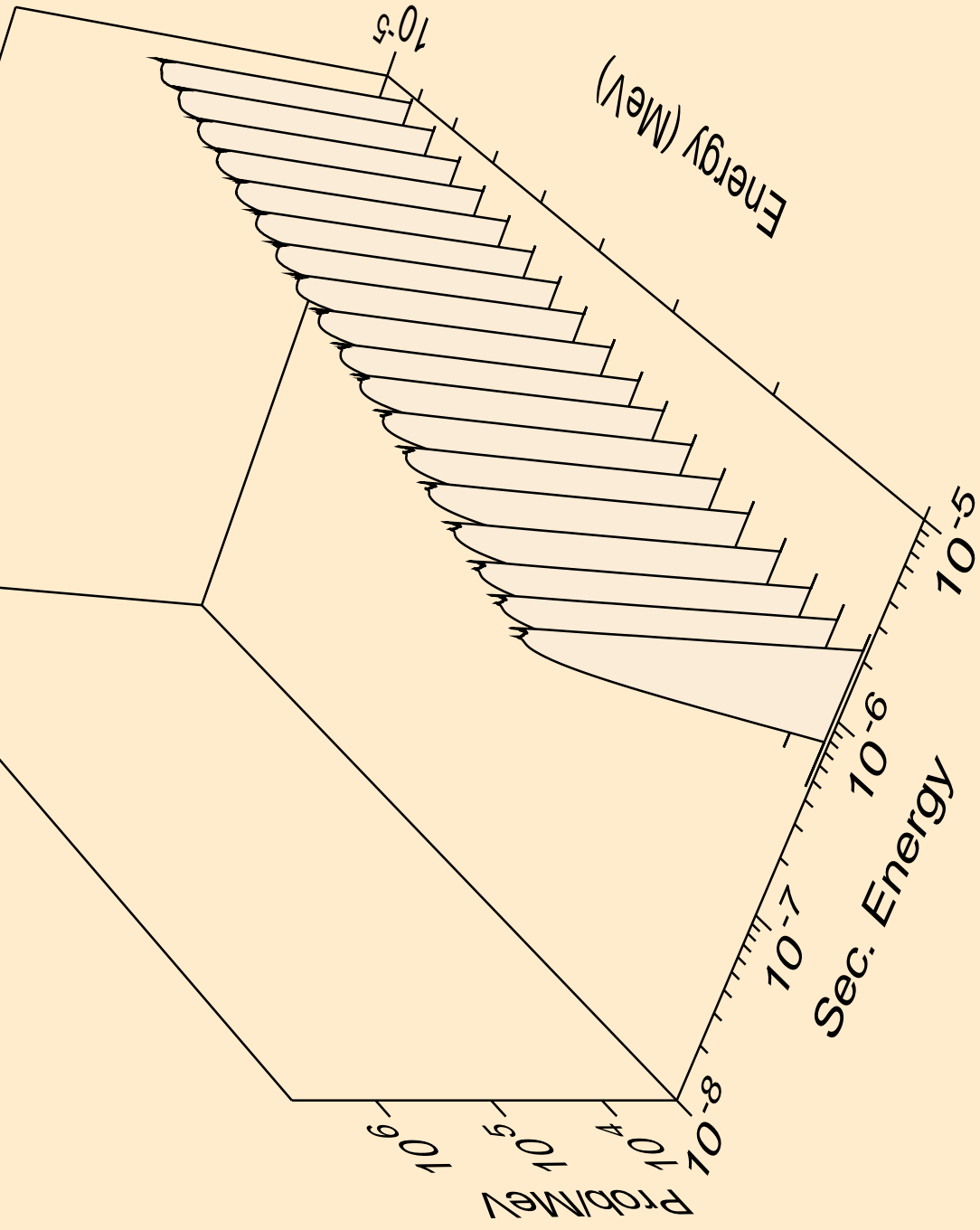
GRAPHITE AT 293.6K FROM ENDF/B-VII
thermal inelastic



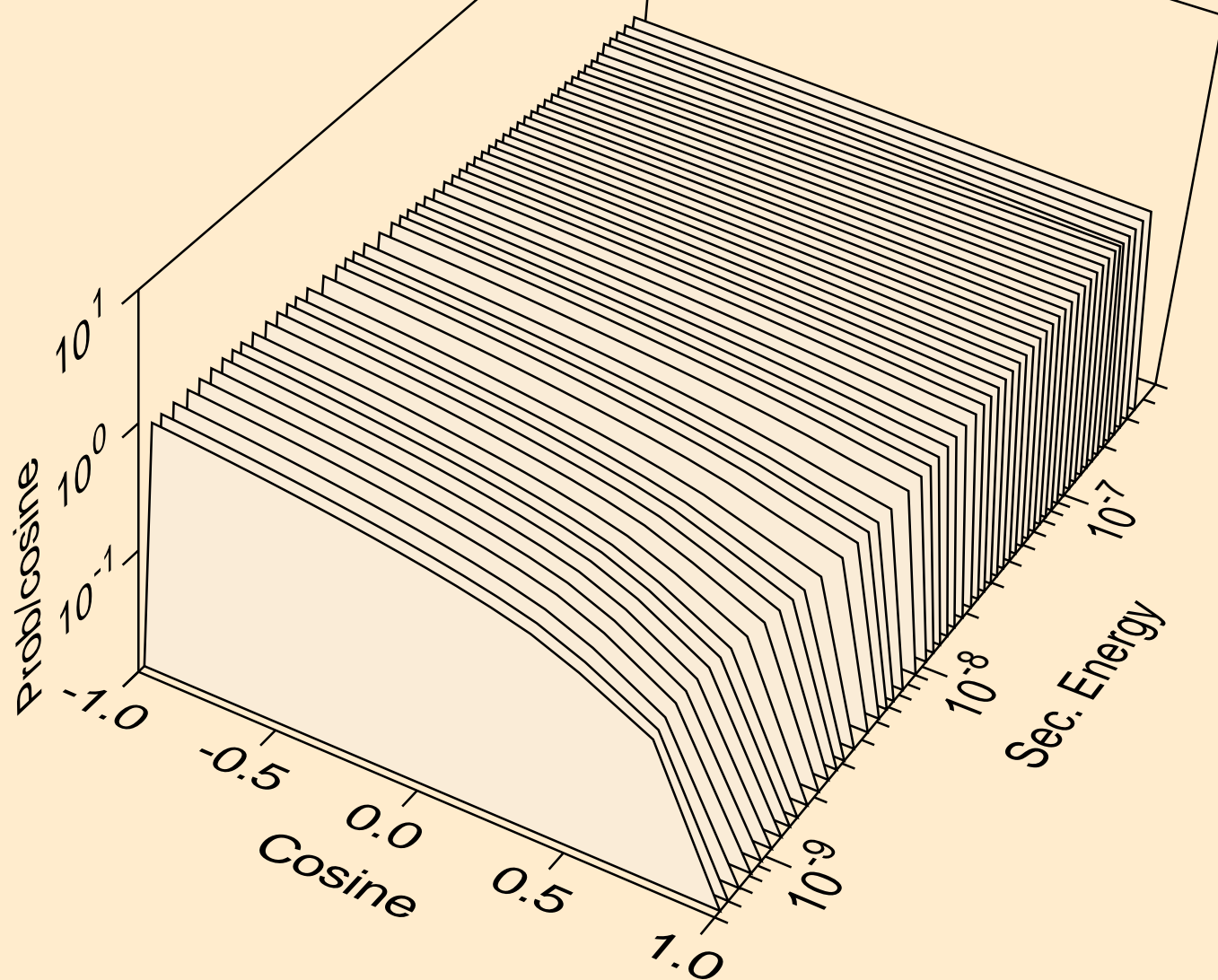
GRAPHITE AT 293.6K FROM ENDF/B-VII
thermal inelastic



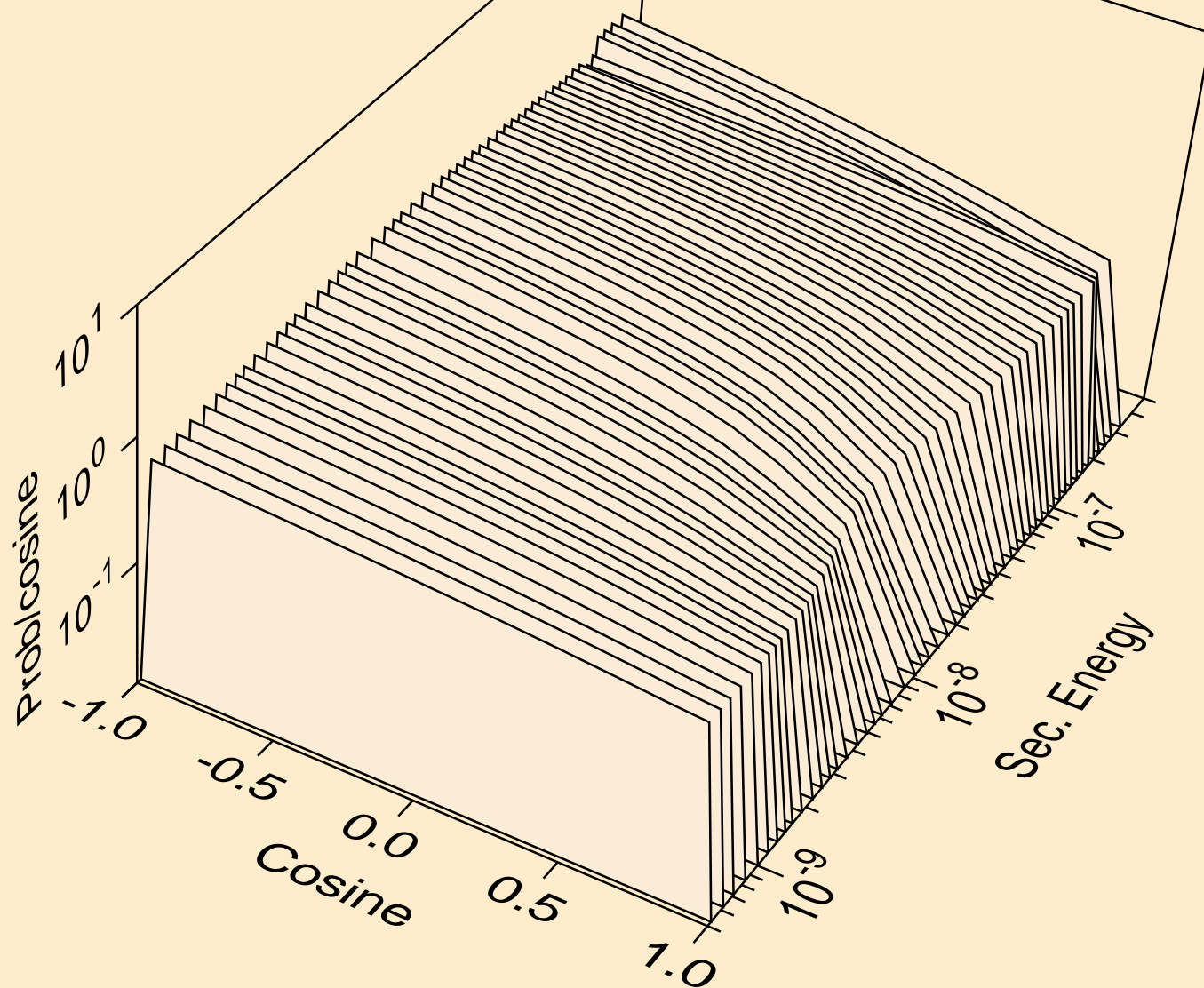
GRAPHITE AT 293.6K FROM ENDF/B-VII
thermal inelastic



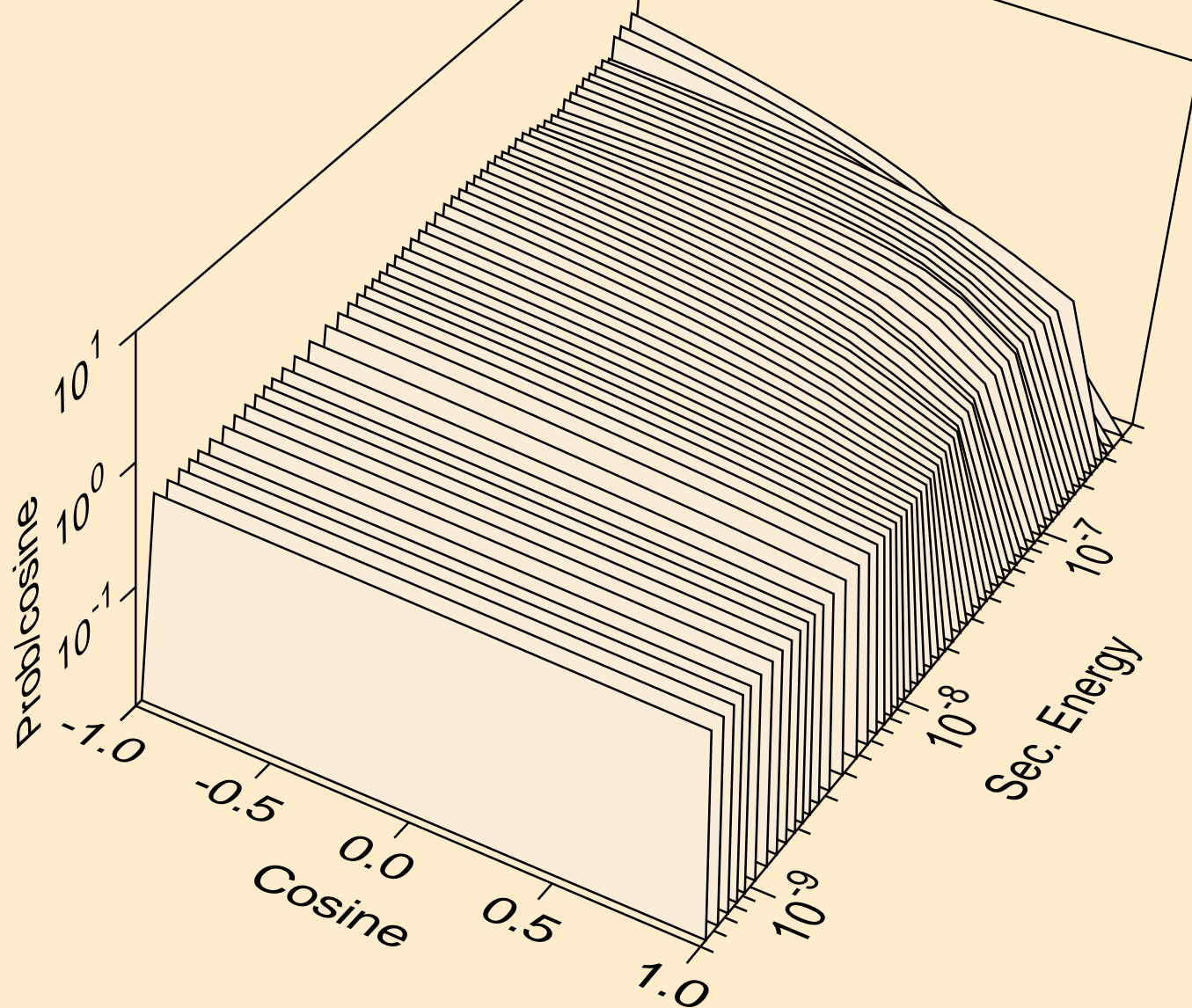
GRAPHITE AT 293.6K FROM ENDF/B-VII
thermal inelastic for $e = 1.012E-09$ MeV



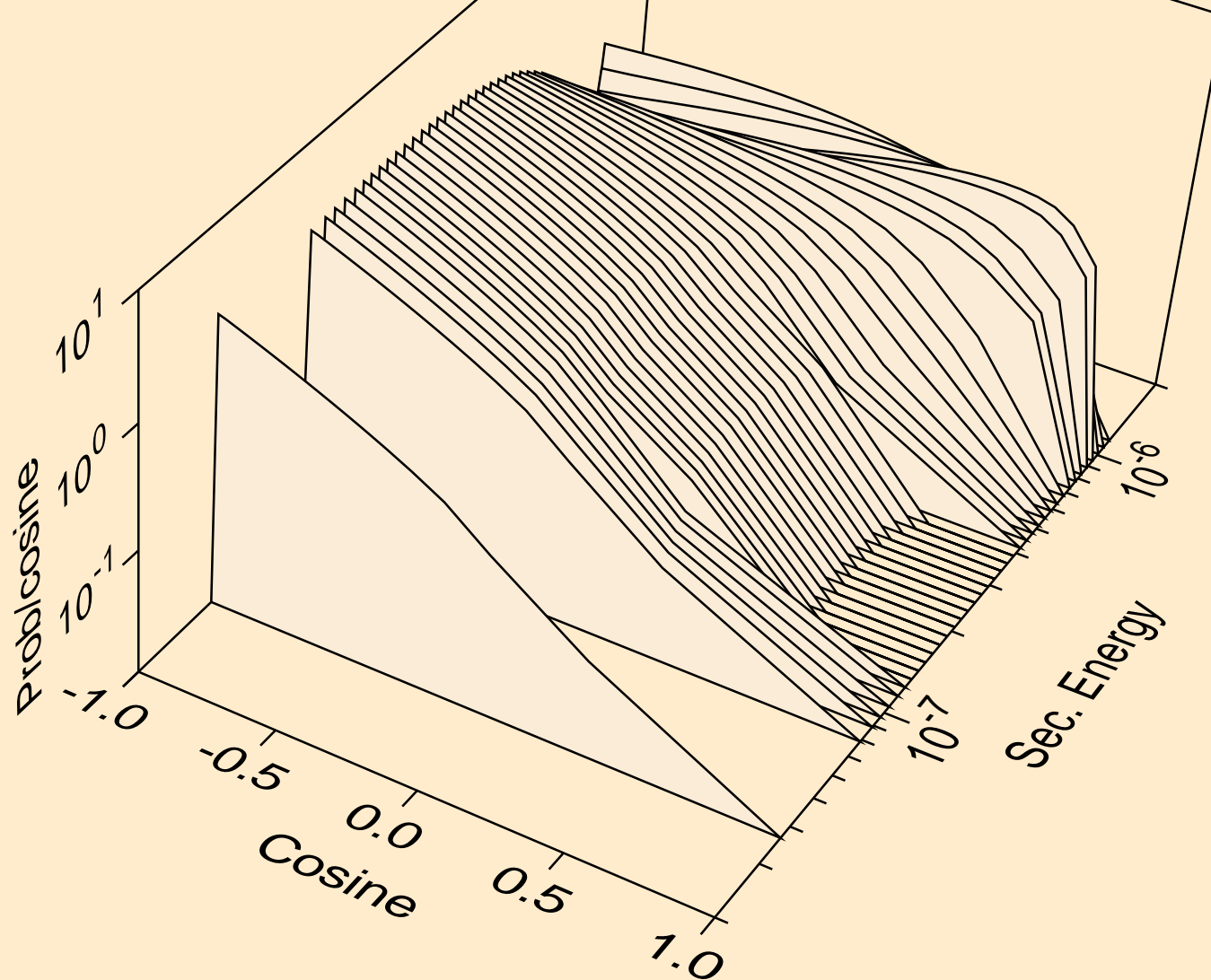
GRAPHITE AT 293.6K FROM ENDF/B-VII
thermal inelastic for $e = 1.619 \times 10^{-8}$ MeV



GRAPHITE AT 293.6K FROM ENDF/B-VII
thermal inelastic for $e = 1.200E-07$ MeV



GRAPHITE AT 293.6K FROM ENDF/B-VII
thermal inelastic for $e = 9.500E-07$ MeV



GRAPHITE AT 293.6K FROM ENDF/B-VII
thermal inelastic for $e = 8.400E-06$ MeV

