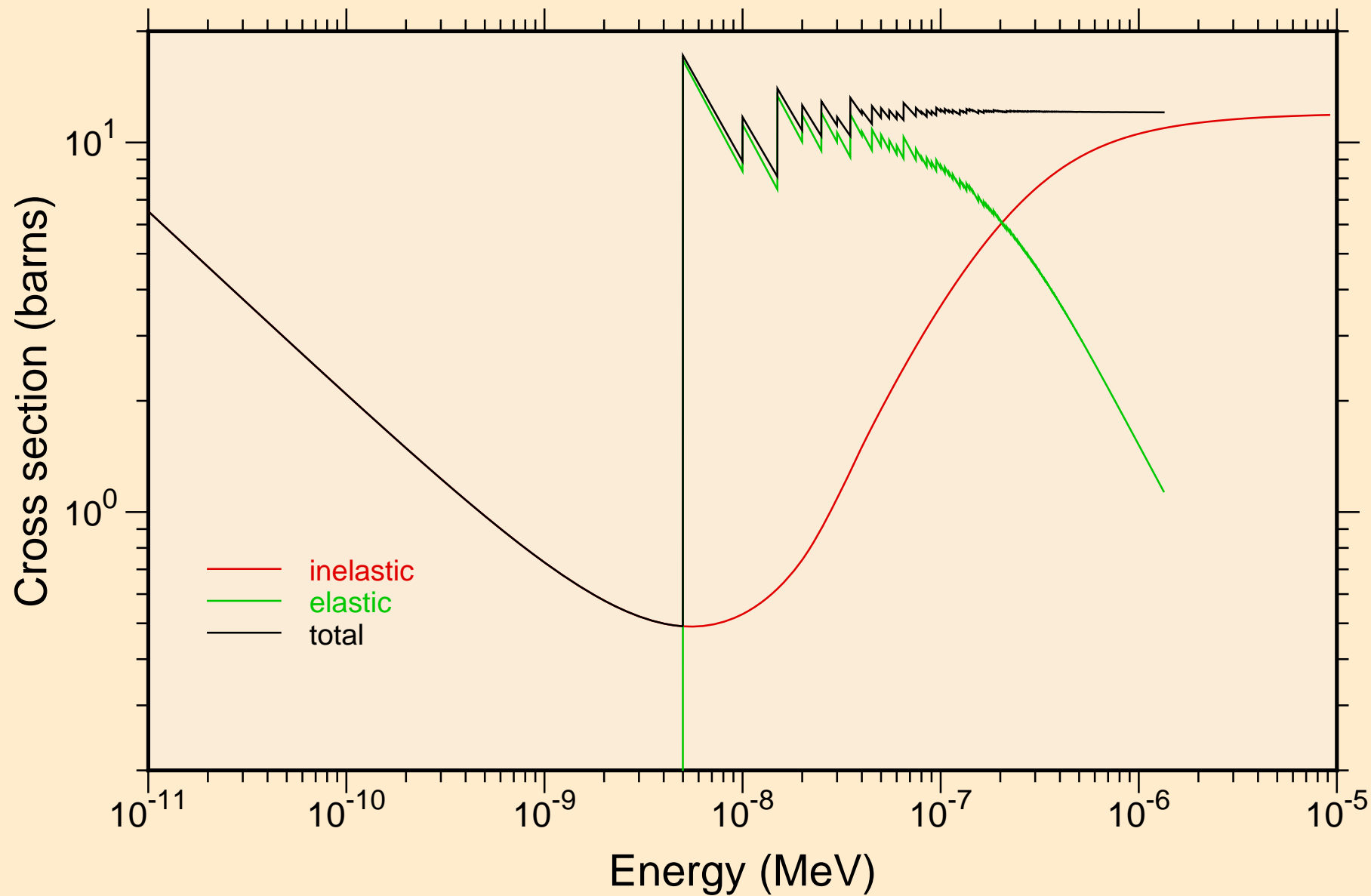
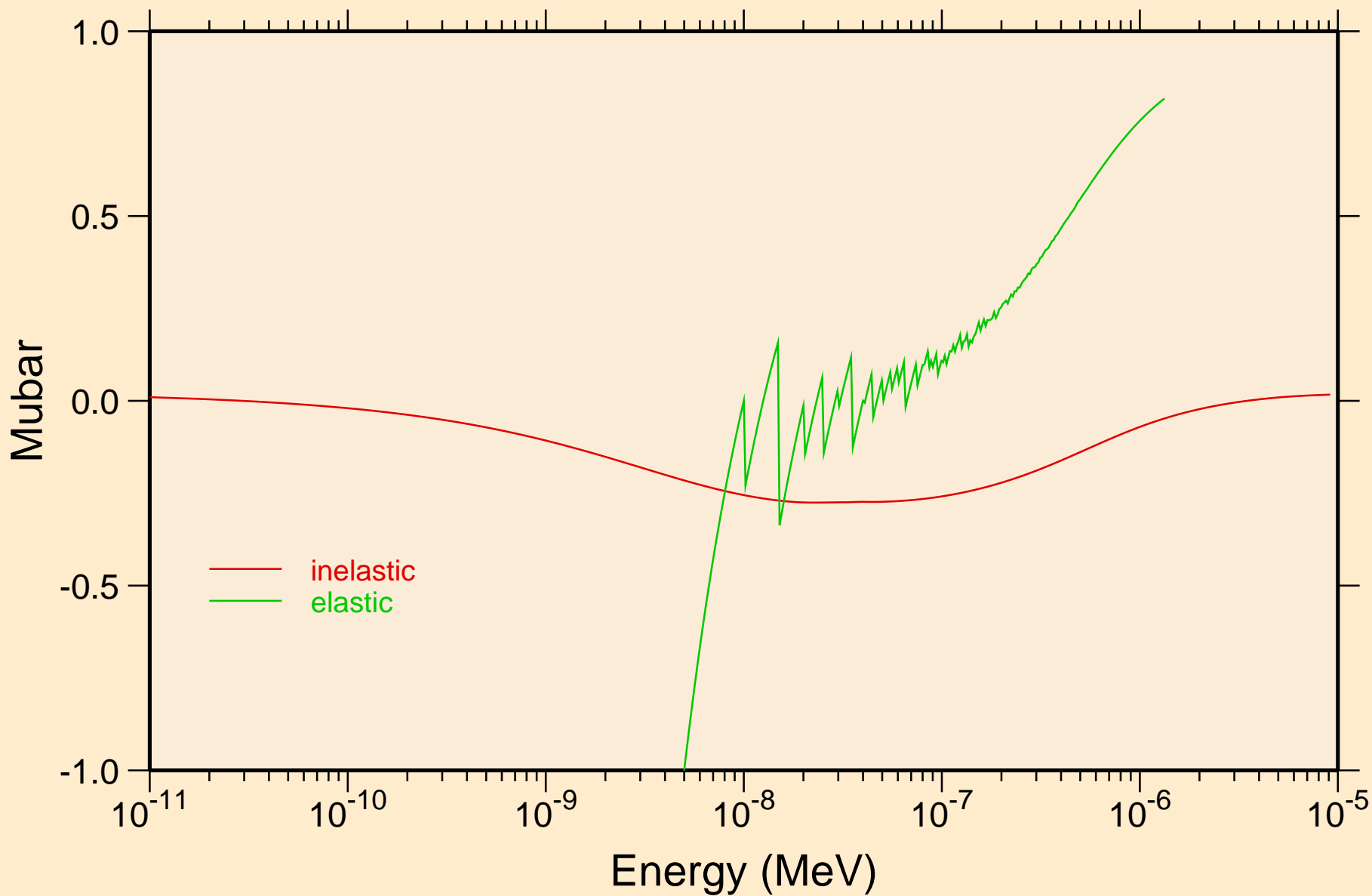


# FE(METAL) AT 293.6K FROM ENDF/B-VII

## Thermal cross sections

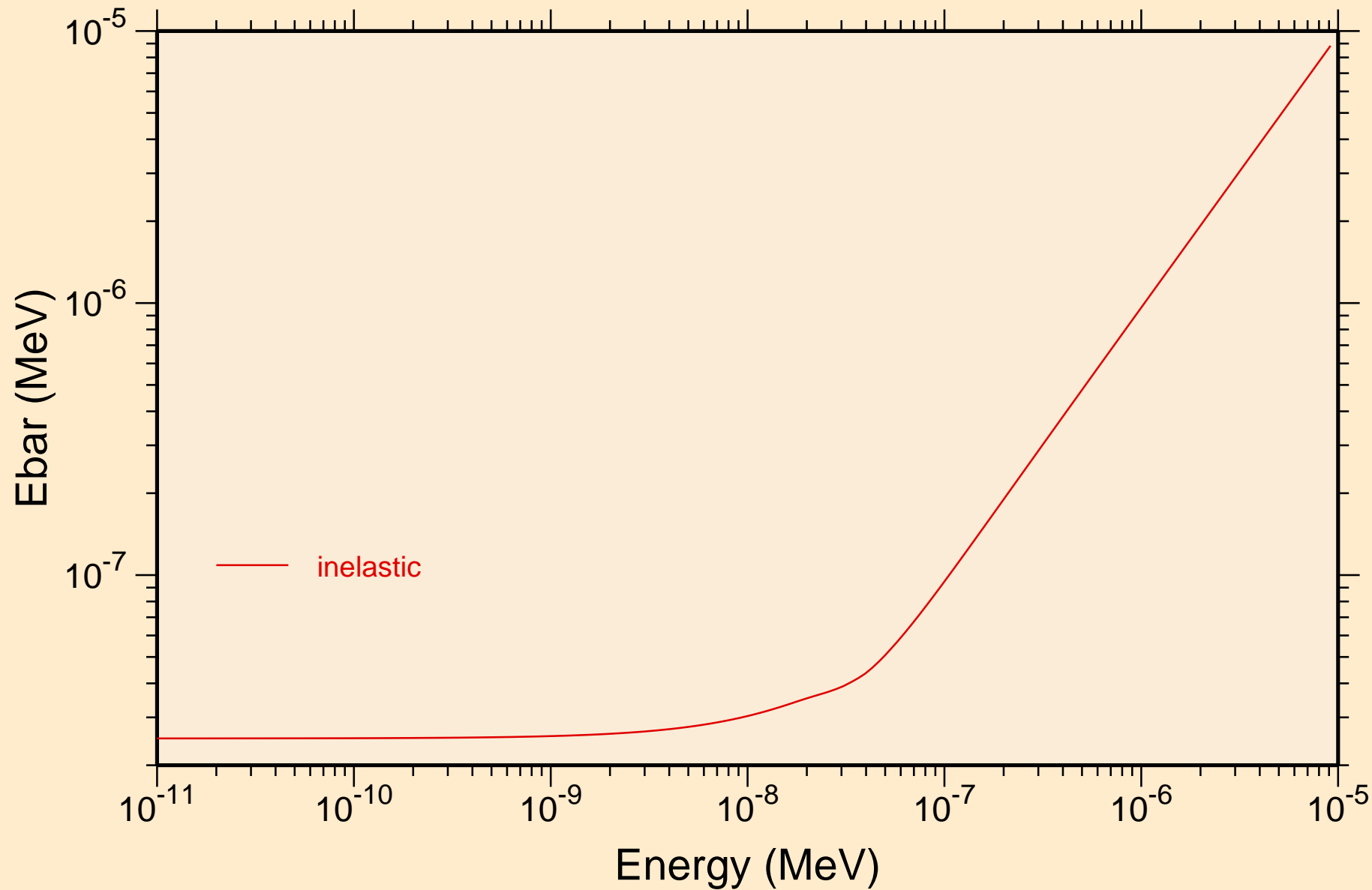


FE(METAL) AT 293.6K FROM ENDF/B-VII  
Thermal mubar

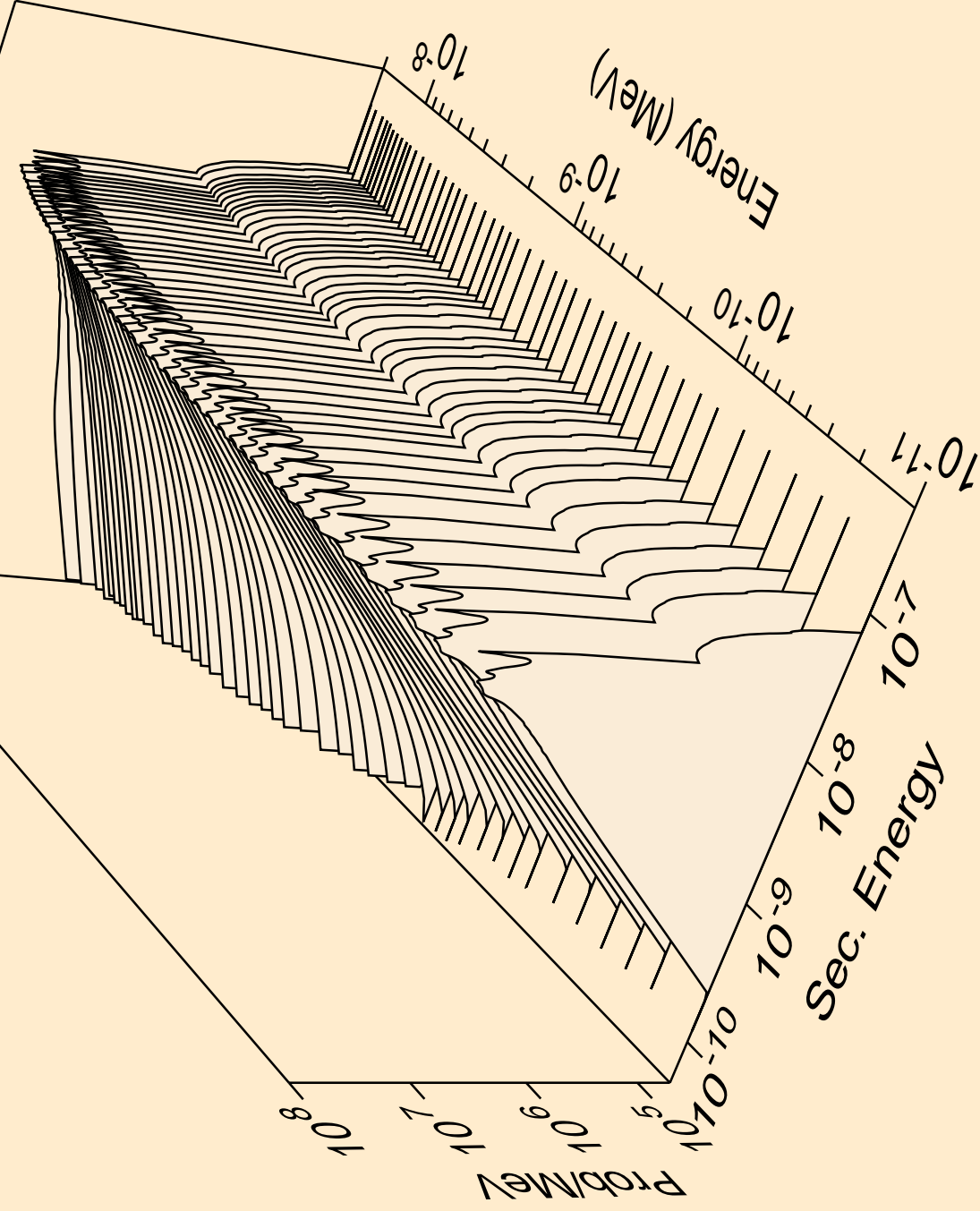


# FE(METAL) AT 293.6K FROM ENDF/B-VII

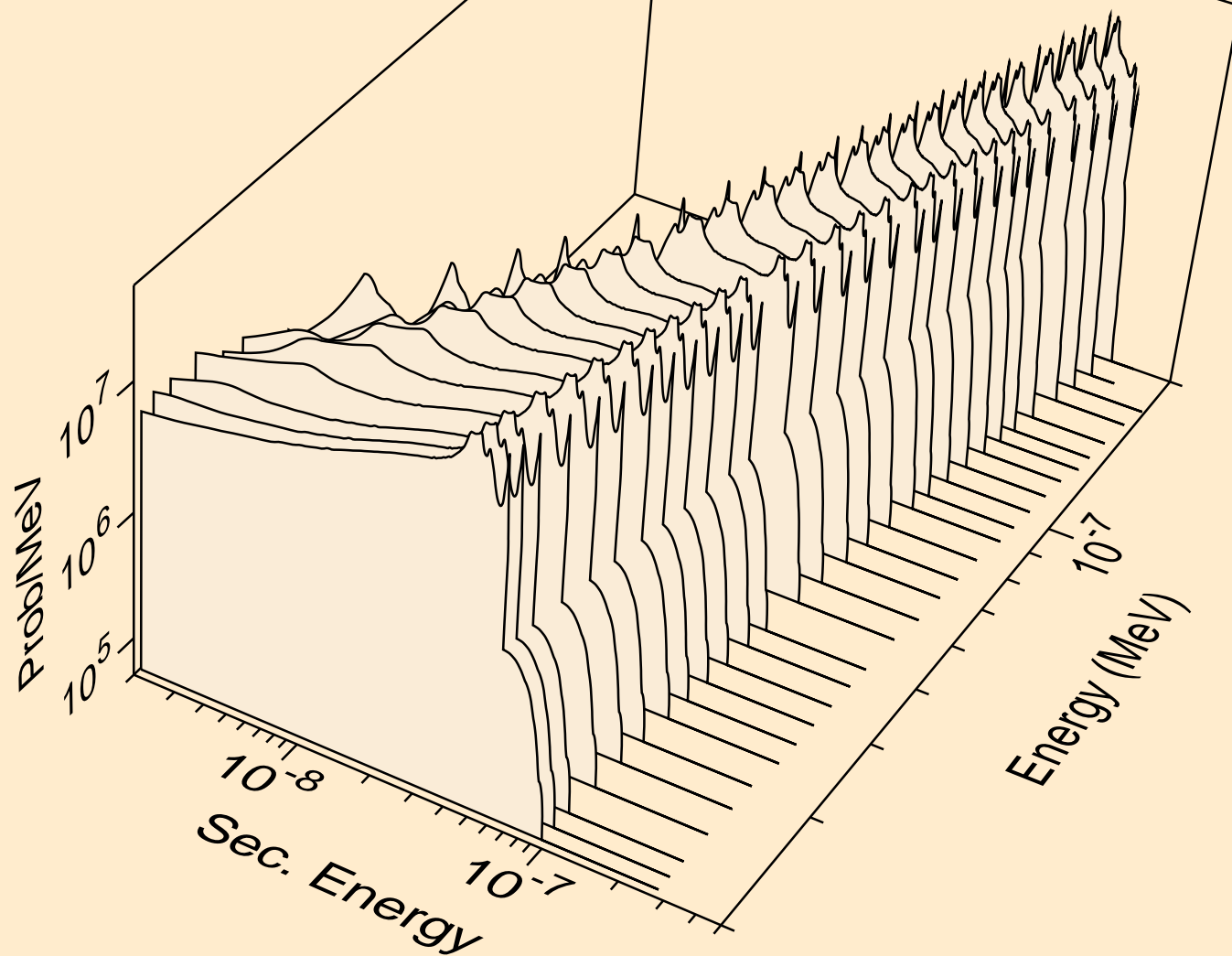
## Thermal ebar



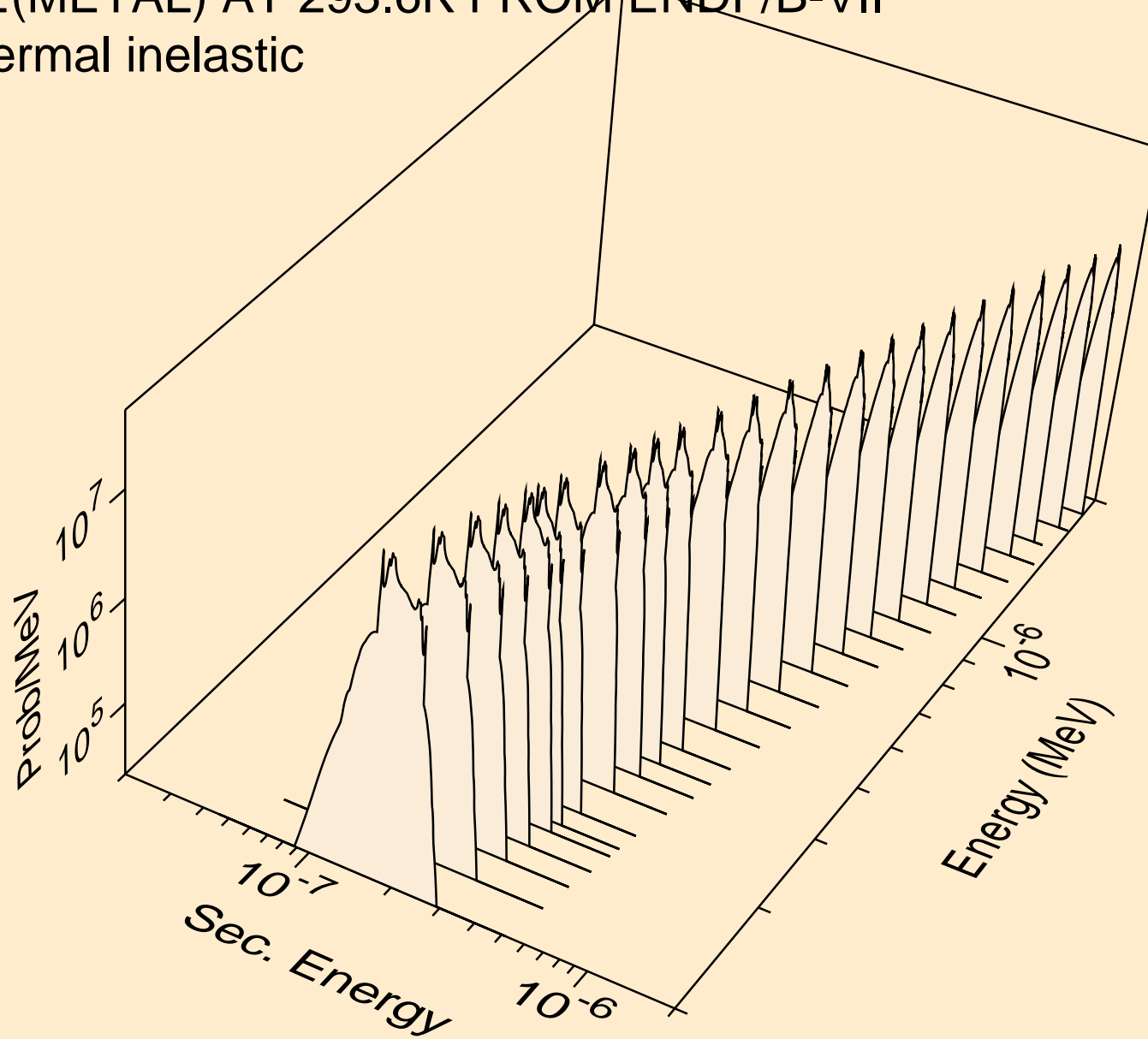
FE(METAL) AT 293.6K FROM ENDF/B-VII  
thermal inelastic



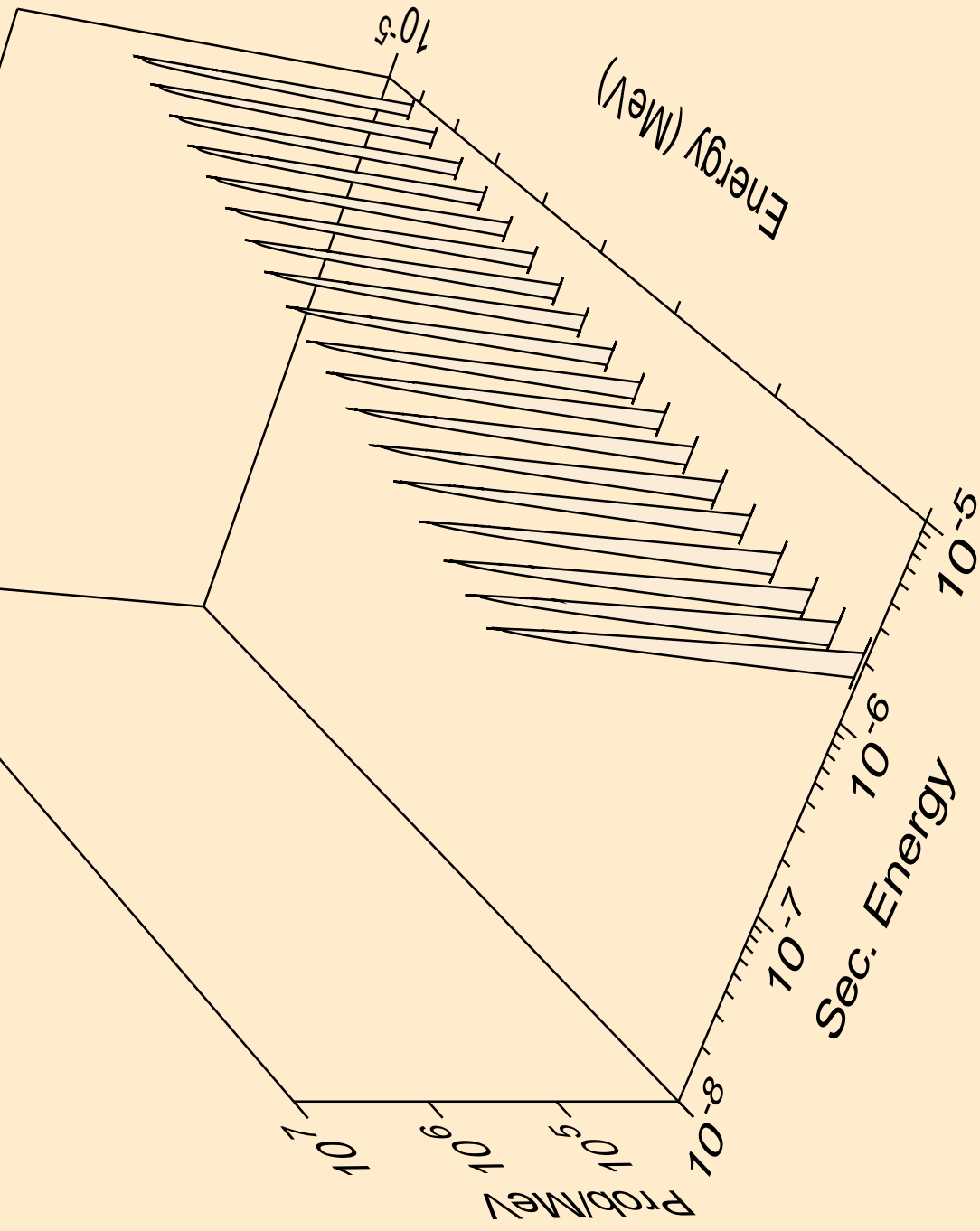
FE(METAL) AT 293.6K FROM ENDF/B-VII  
thermal inelastic



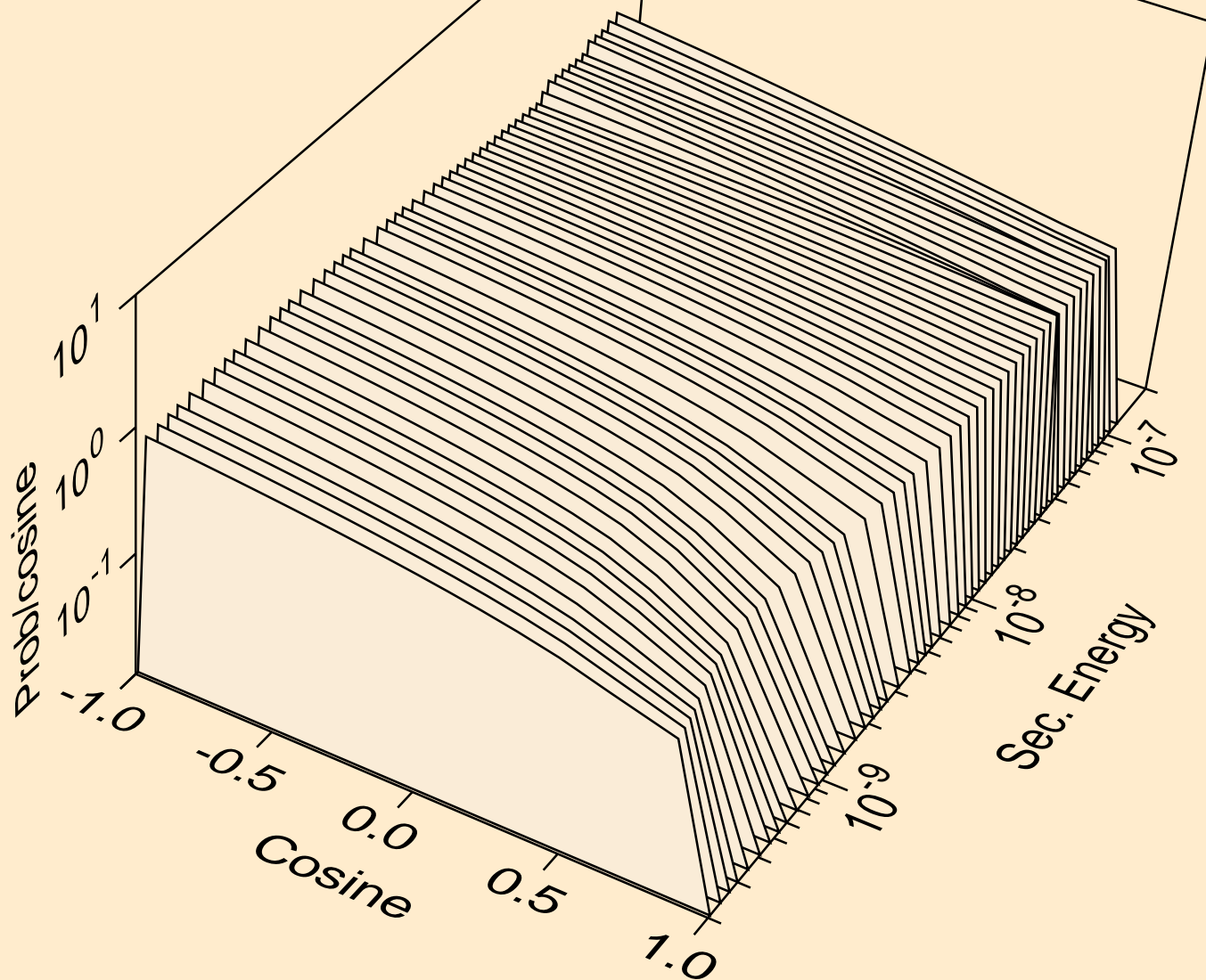
FE(METAL) AT 293.6K FROM ENDF/B-VII  
thermal inelastic



FE(METAL) AT 293.6K FROM ENDF/B-VII  
thermal inelastic

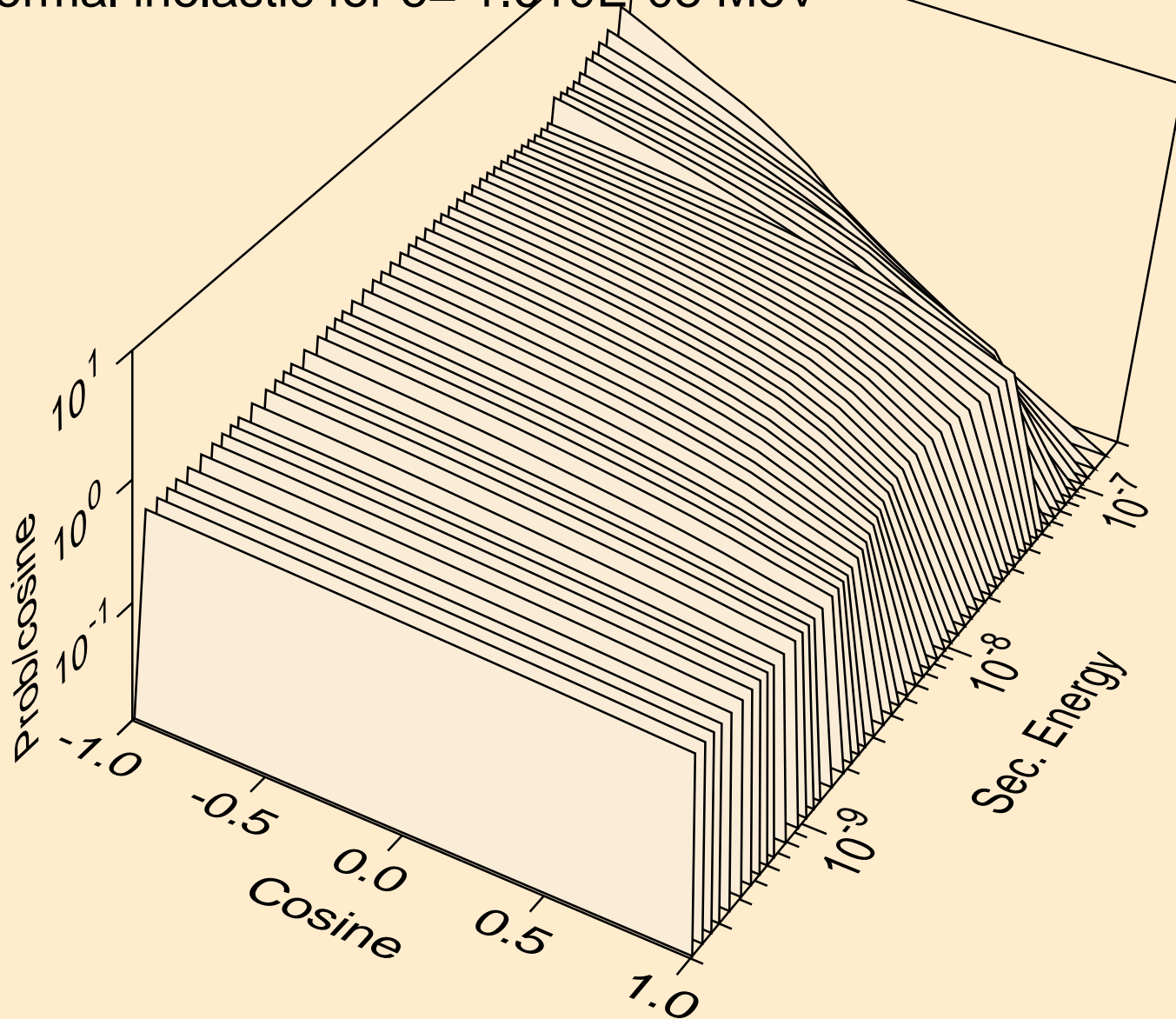


FE(METAL) AT 293.6K FROM ENDF/B-VII  
thermal inelastic for  $e = 1.012E-09$  MeV

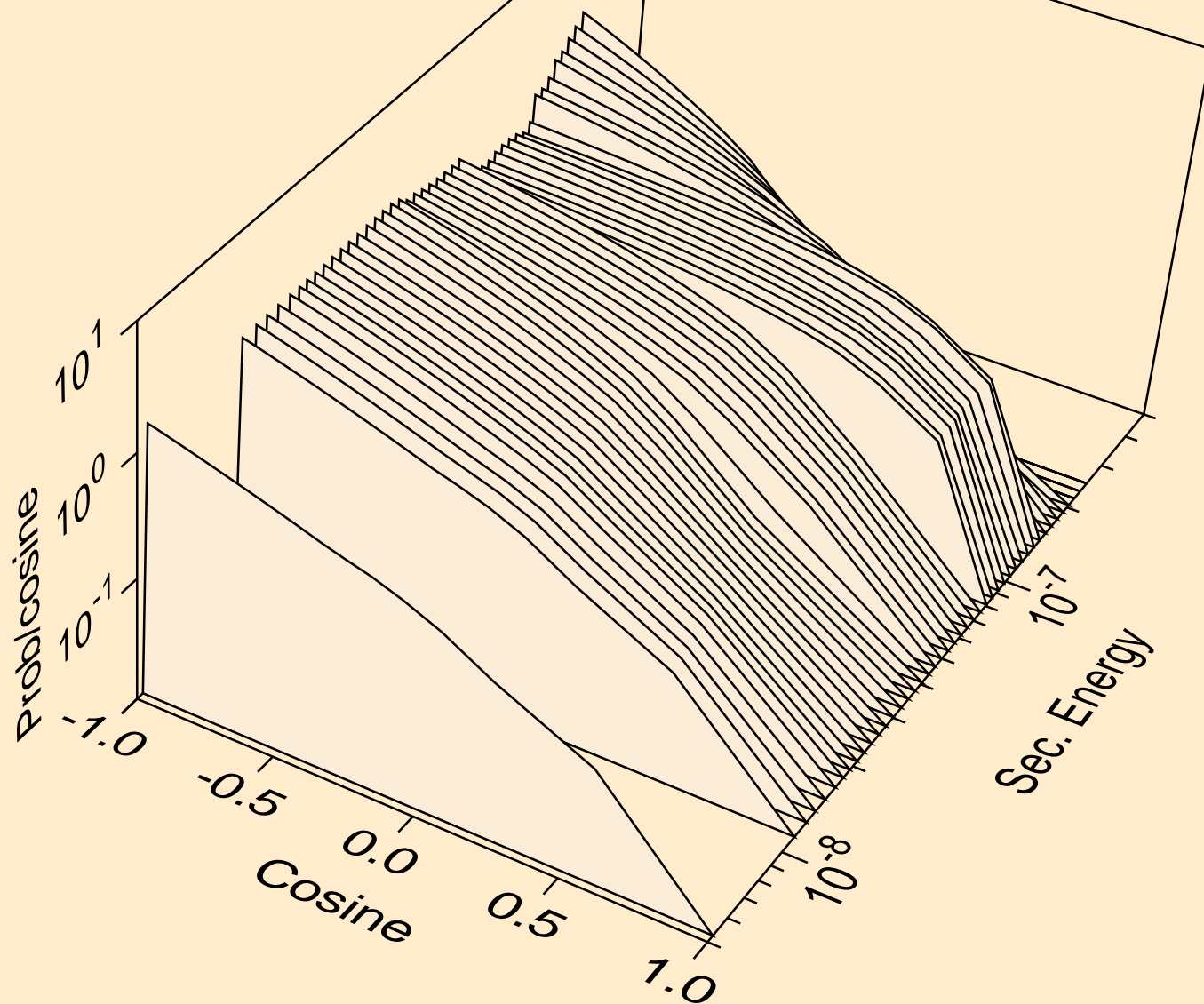




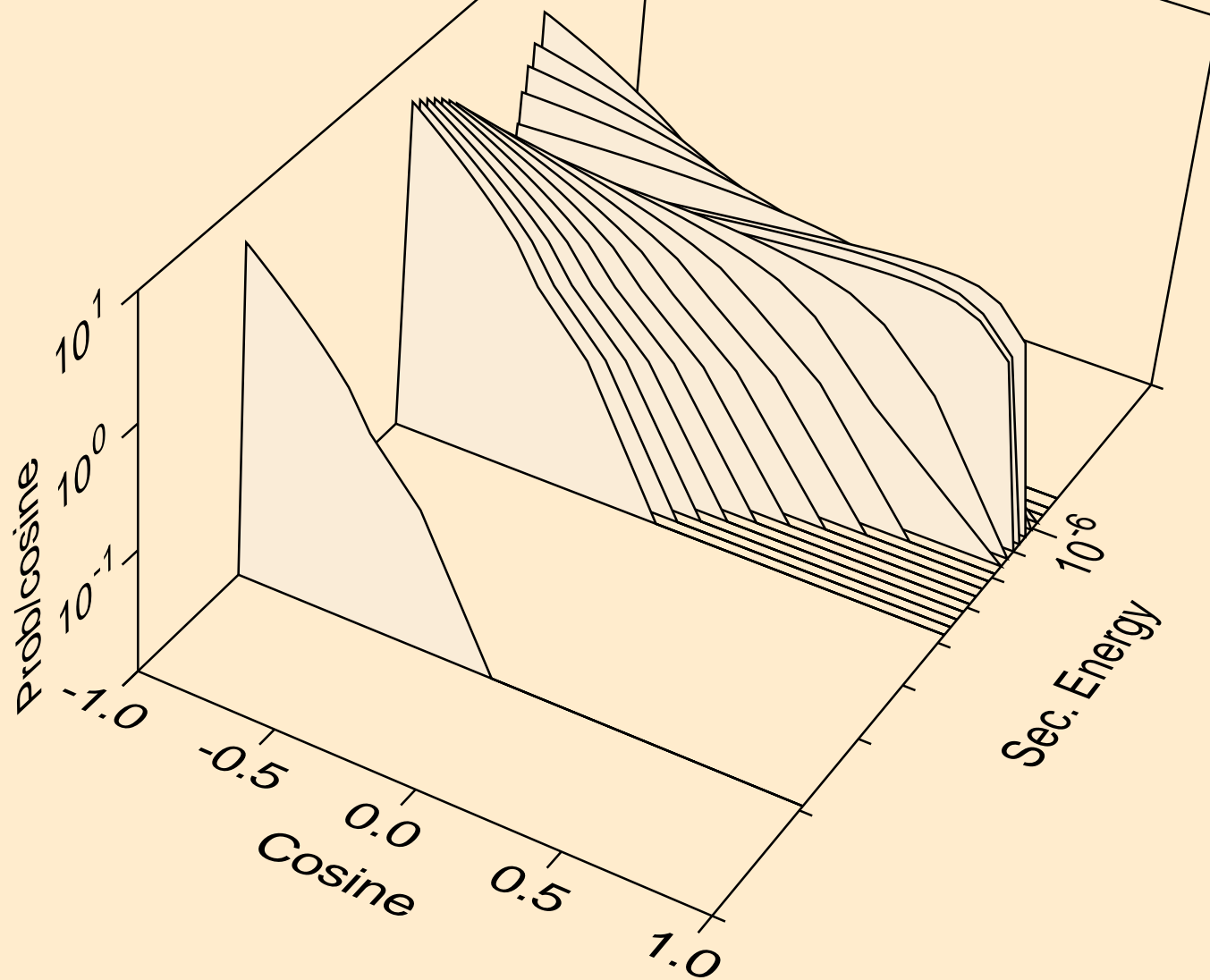
FE(METAL) AT 293.6K FROM ENDF/B-VII  
thermal inelastic for  $e = 1.619 \times 10^{-8}$  MeV



FE(METAL) AT 293.6K FROM ENDF/B-VII  
thermal inelastic for  $e = 1.200E-07$  MeV



FE(METAL) AT 293.6K FROM ENDF/B-VII  
thermal inelastic for  $e = 9.500E-07$  MeV



FE(METAL) AT 293.6K FROM ENDF/B-VII  
thermal inelastic for  $e = 8.400E-06$  MeV

