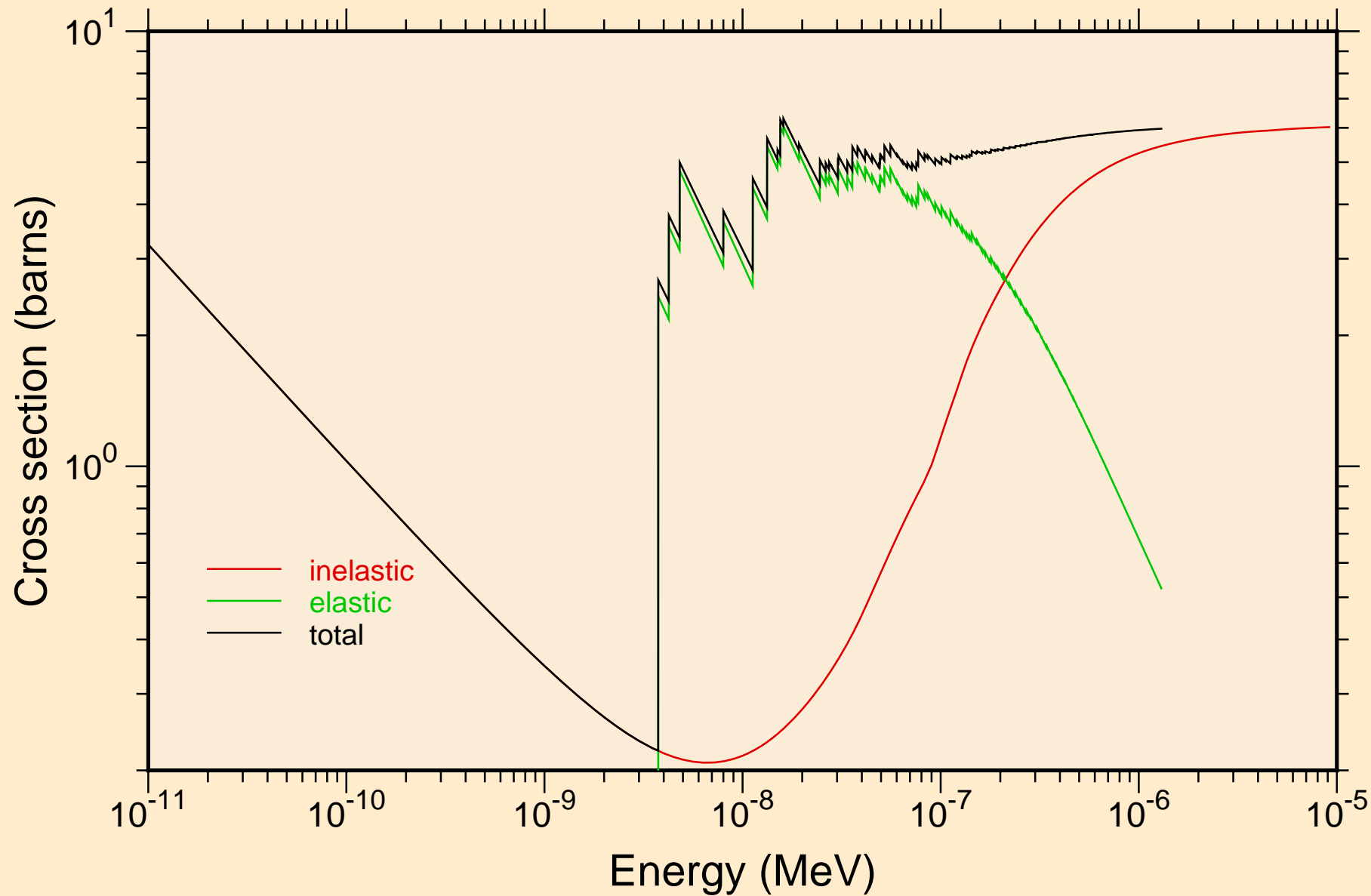
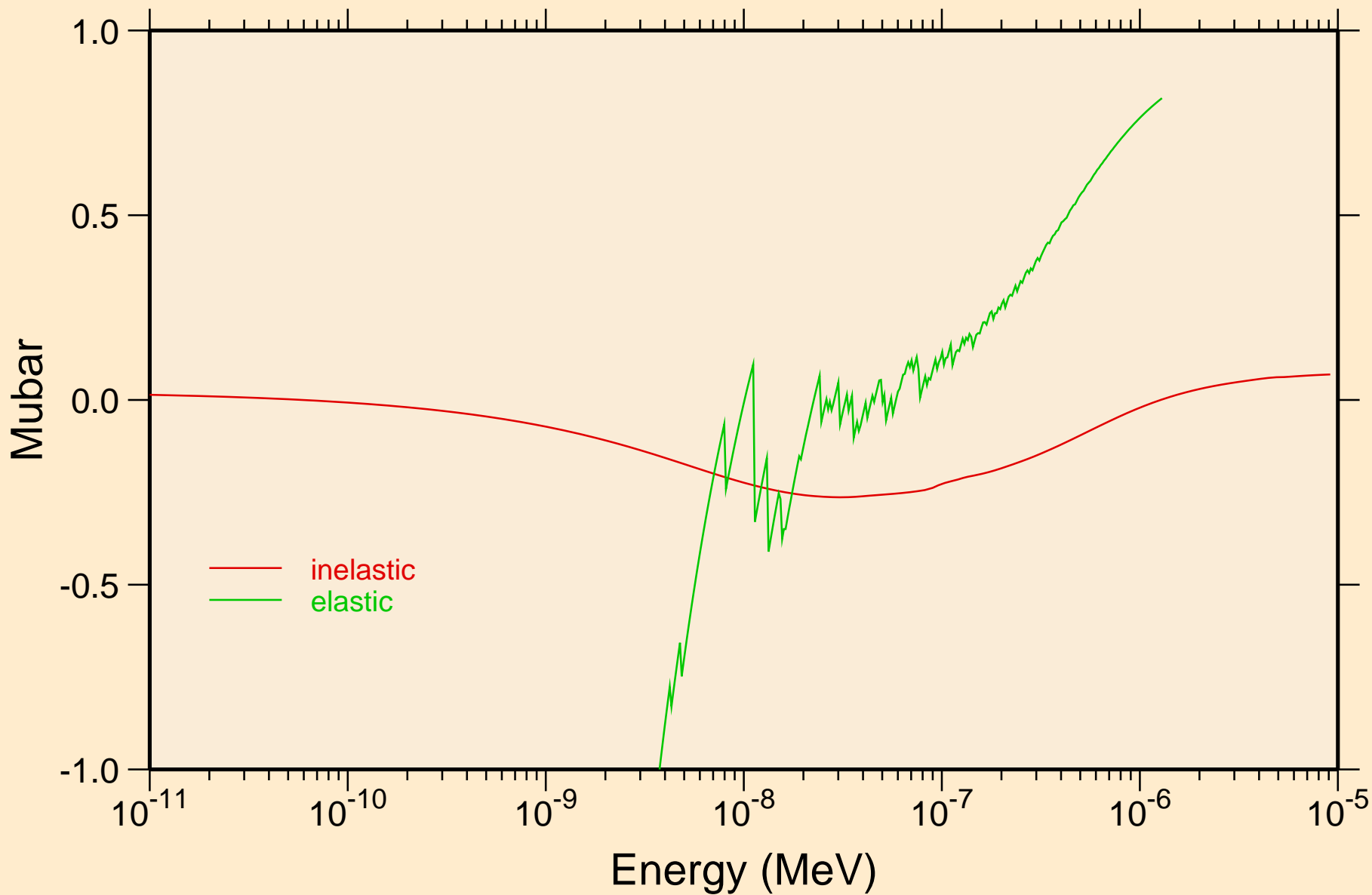


BE(BEO) AT 293.6K FROM ENDF/B-VII

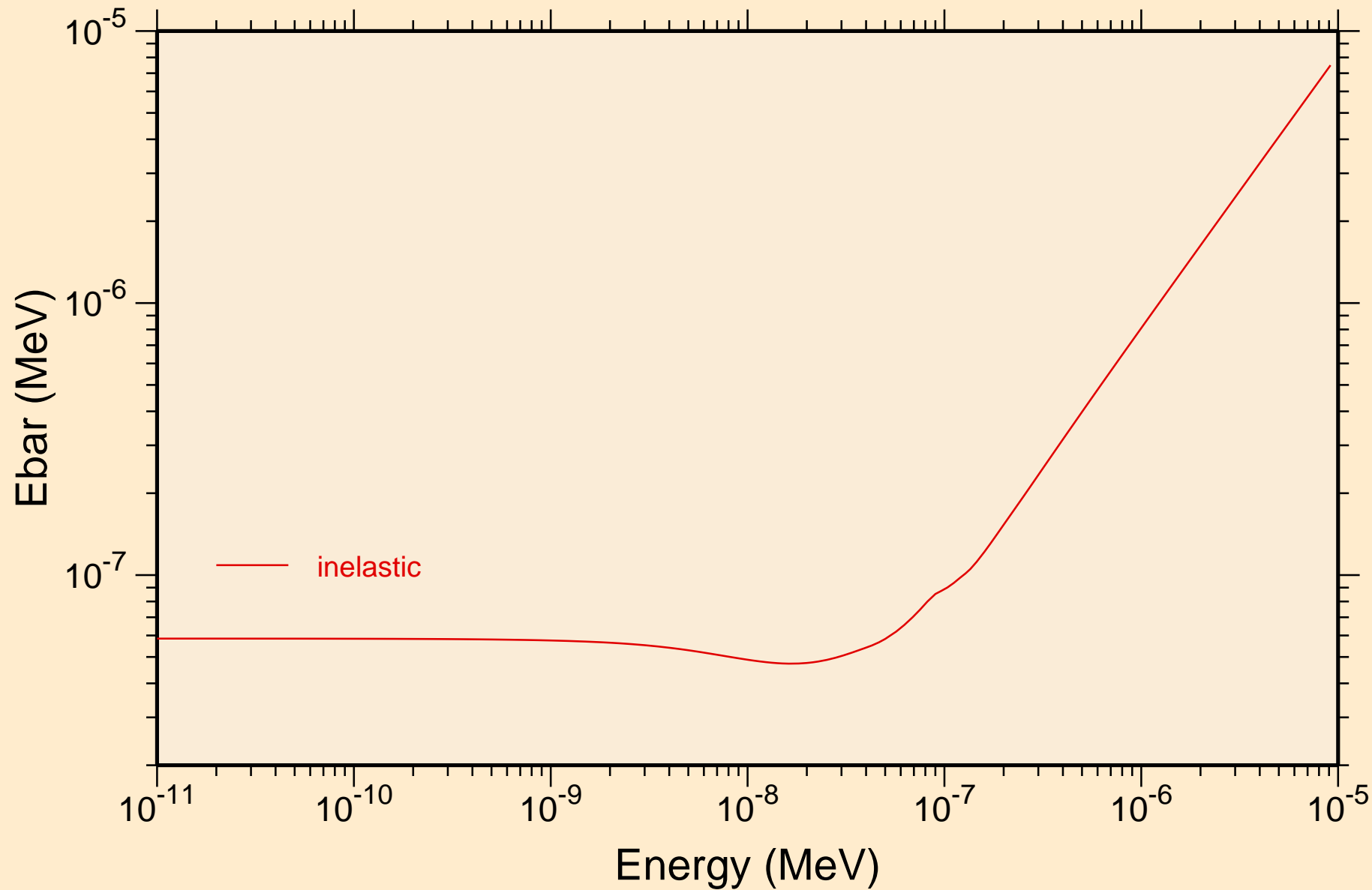
Thermal cross sections



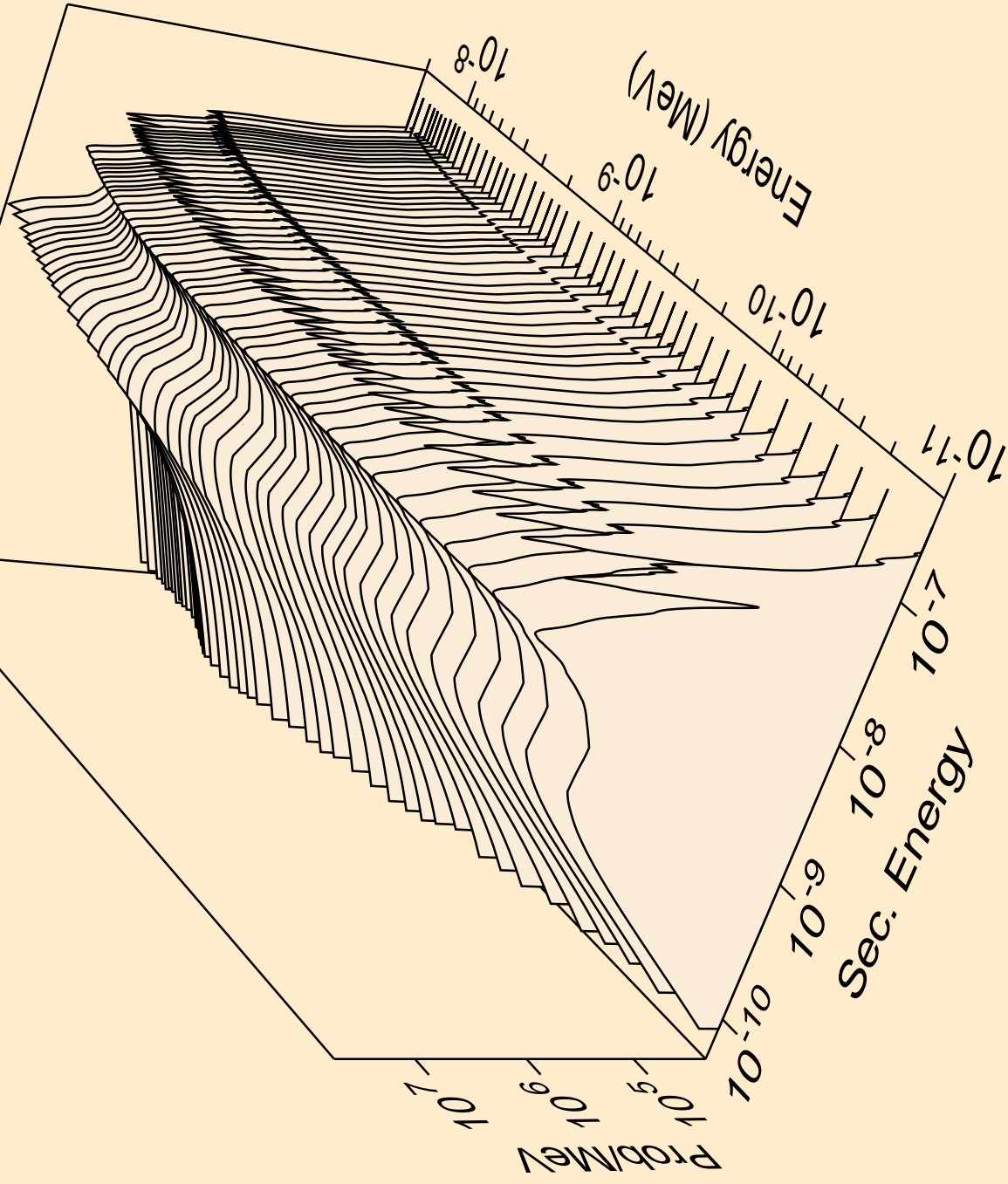
BE(BEO) AT 293.6K FROM ENDF/B-VII
Thermal mubar



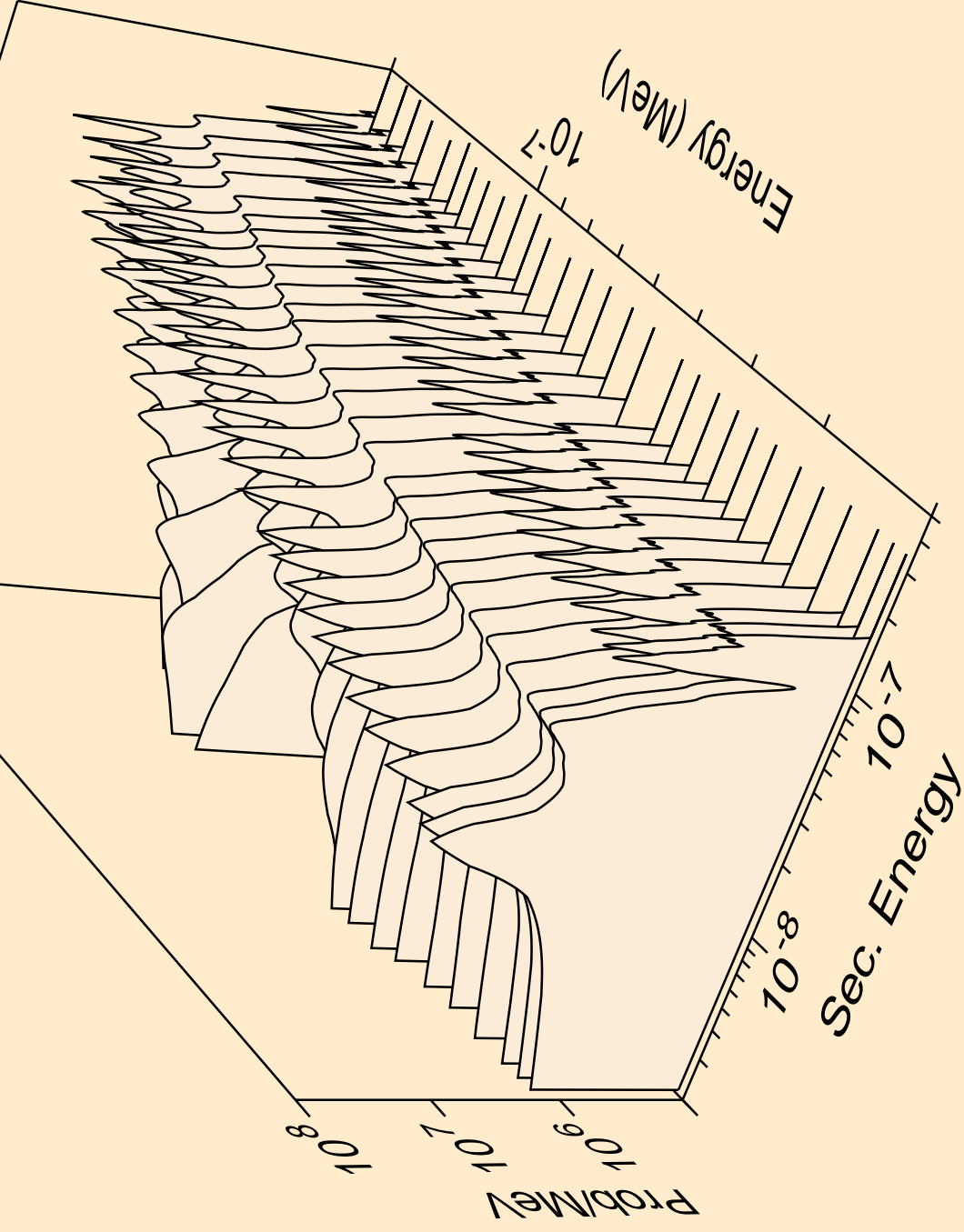
BE(BEO) AT 293.6K FROM ENDF/B-VII
Thermal ebar



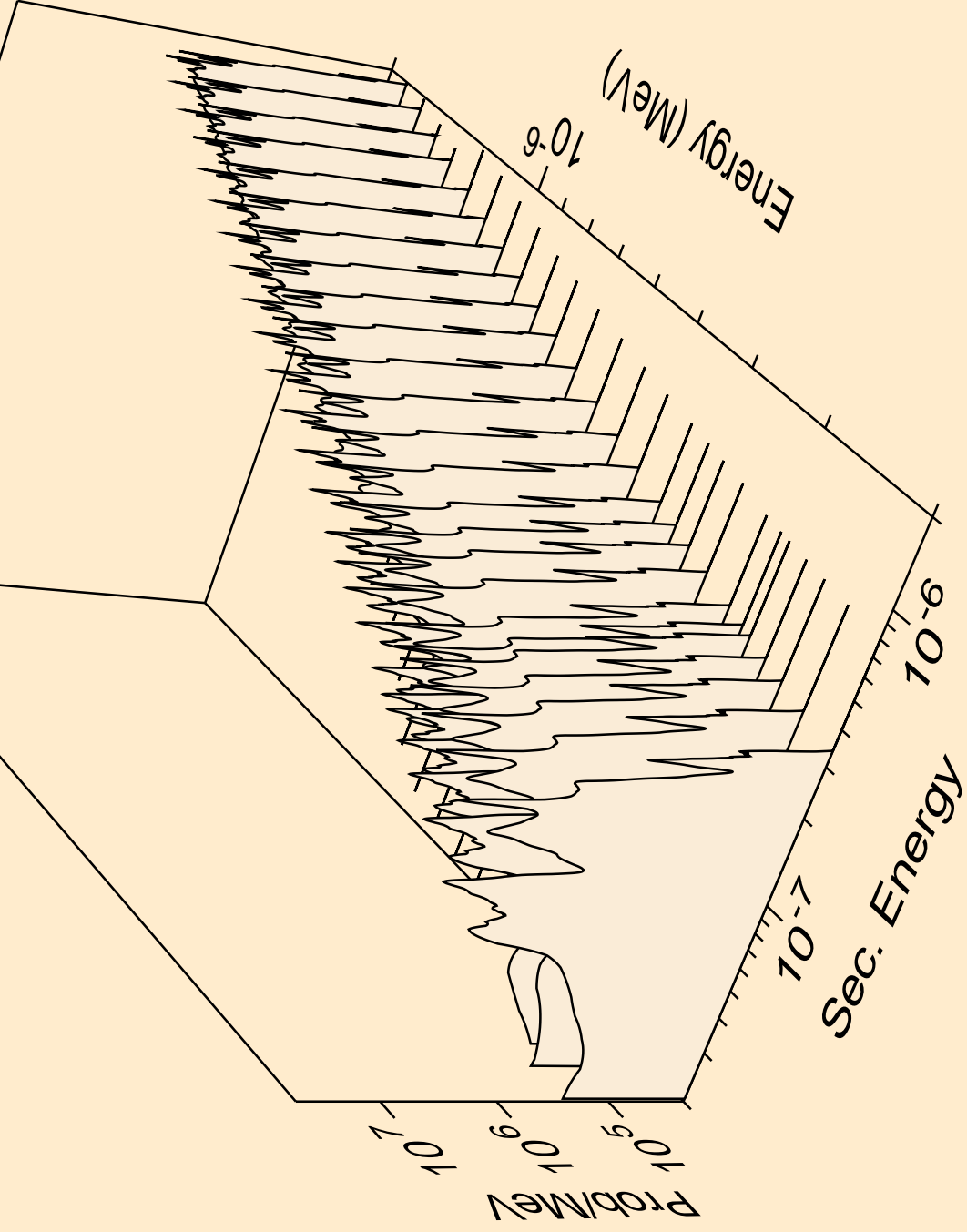
BE(BEO) AT 293.6K FROM ENDF/B-VII
thermal inelastic



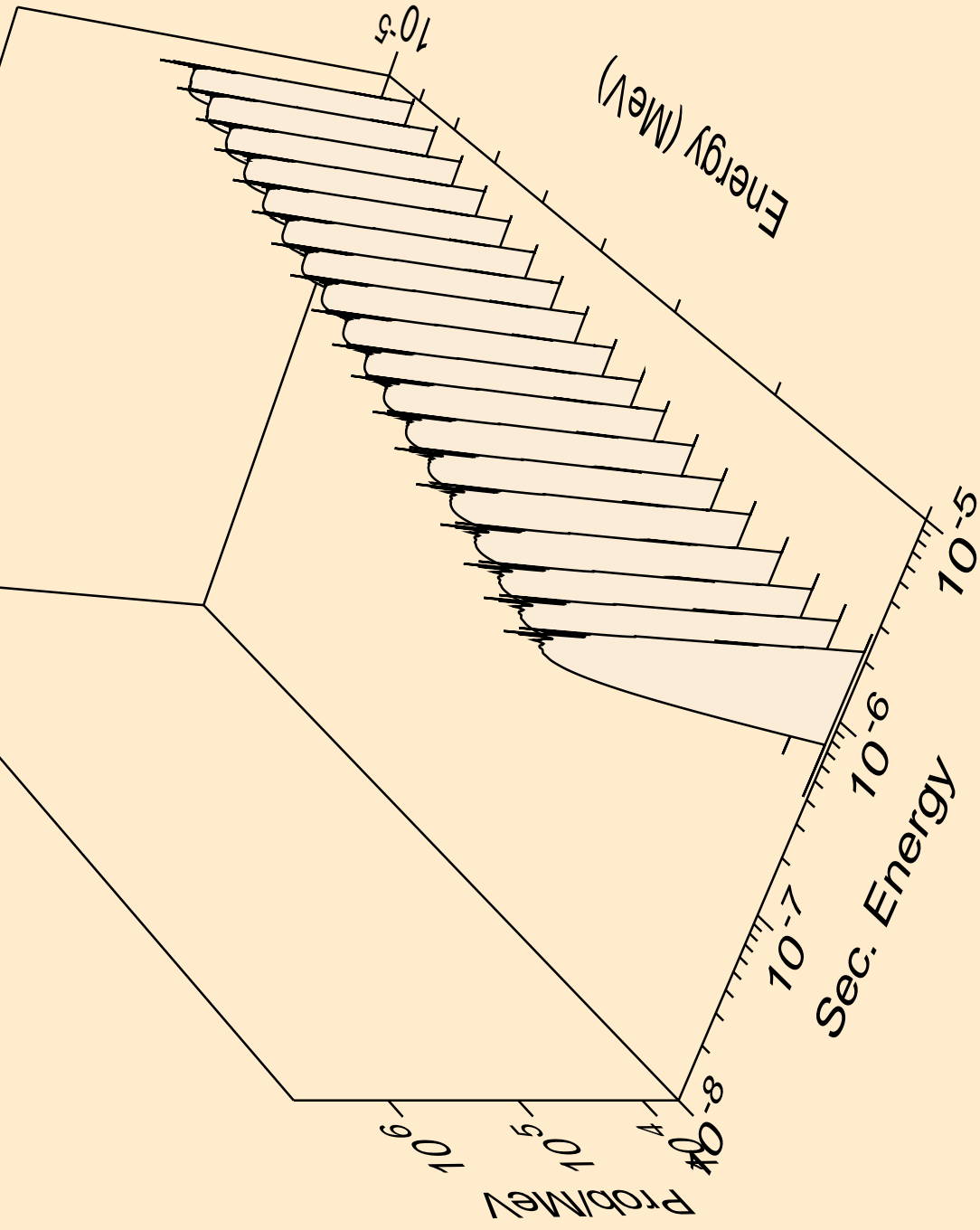
BE(BEO) AT 293.6K FROM ENDF/B-VII
thermal inelastic



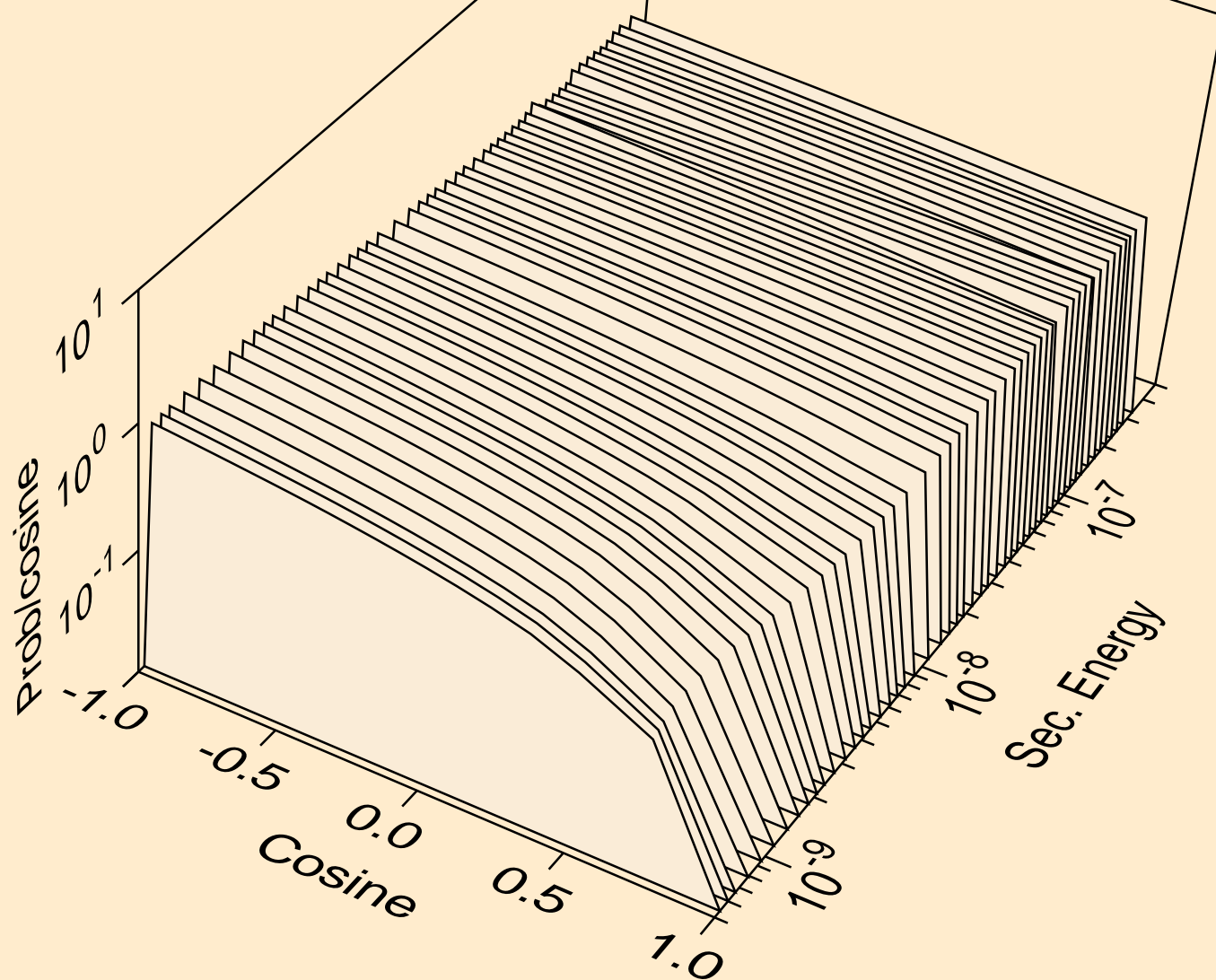
BE(BEO) AT 293.6K FROM ENDF/B-VII
thermal inelastic



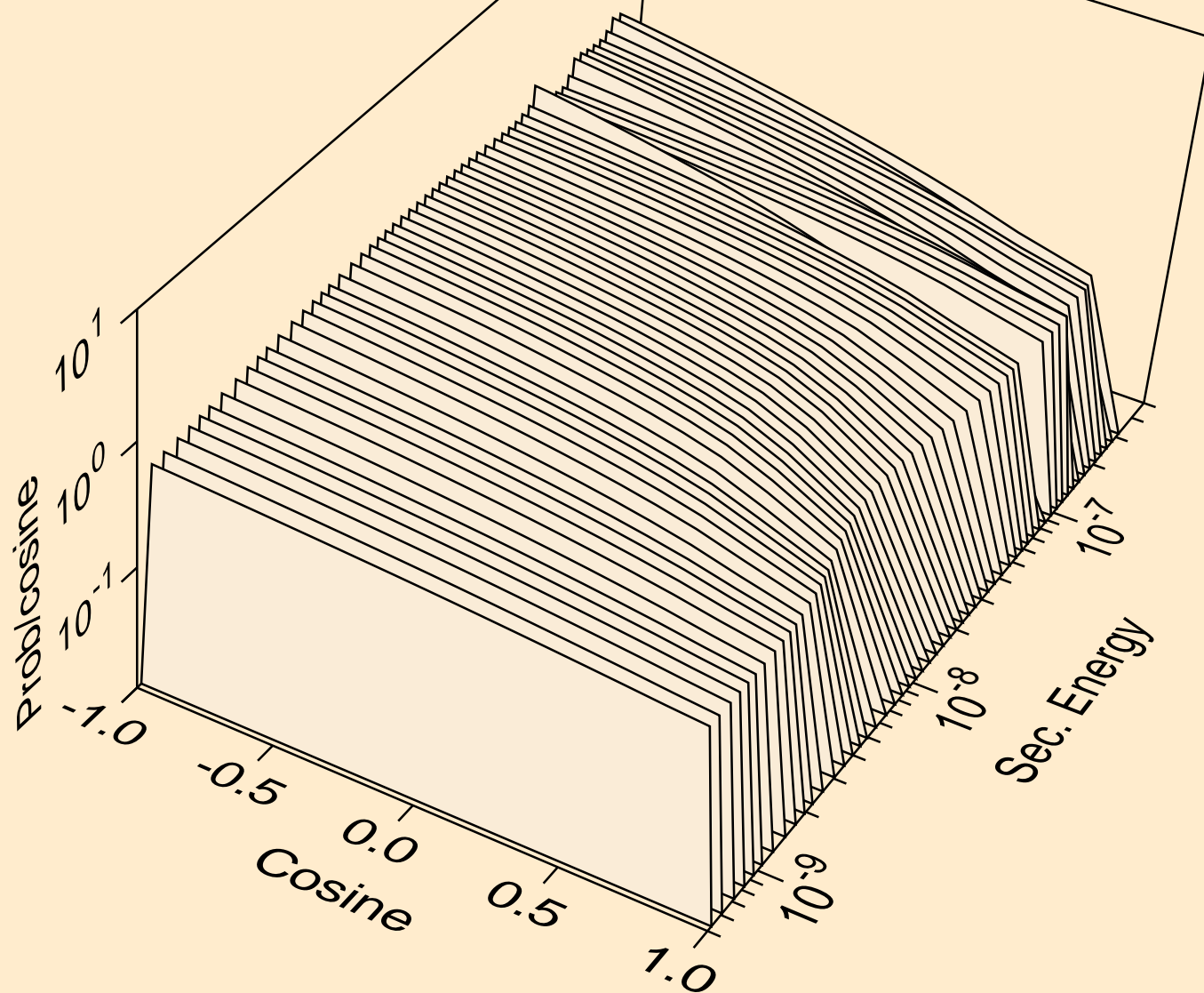
BE(BEO) AT 293.6K FROM ENDF/B-VII
thermal inelastic



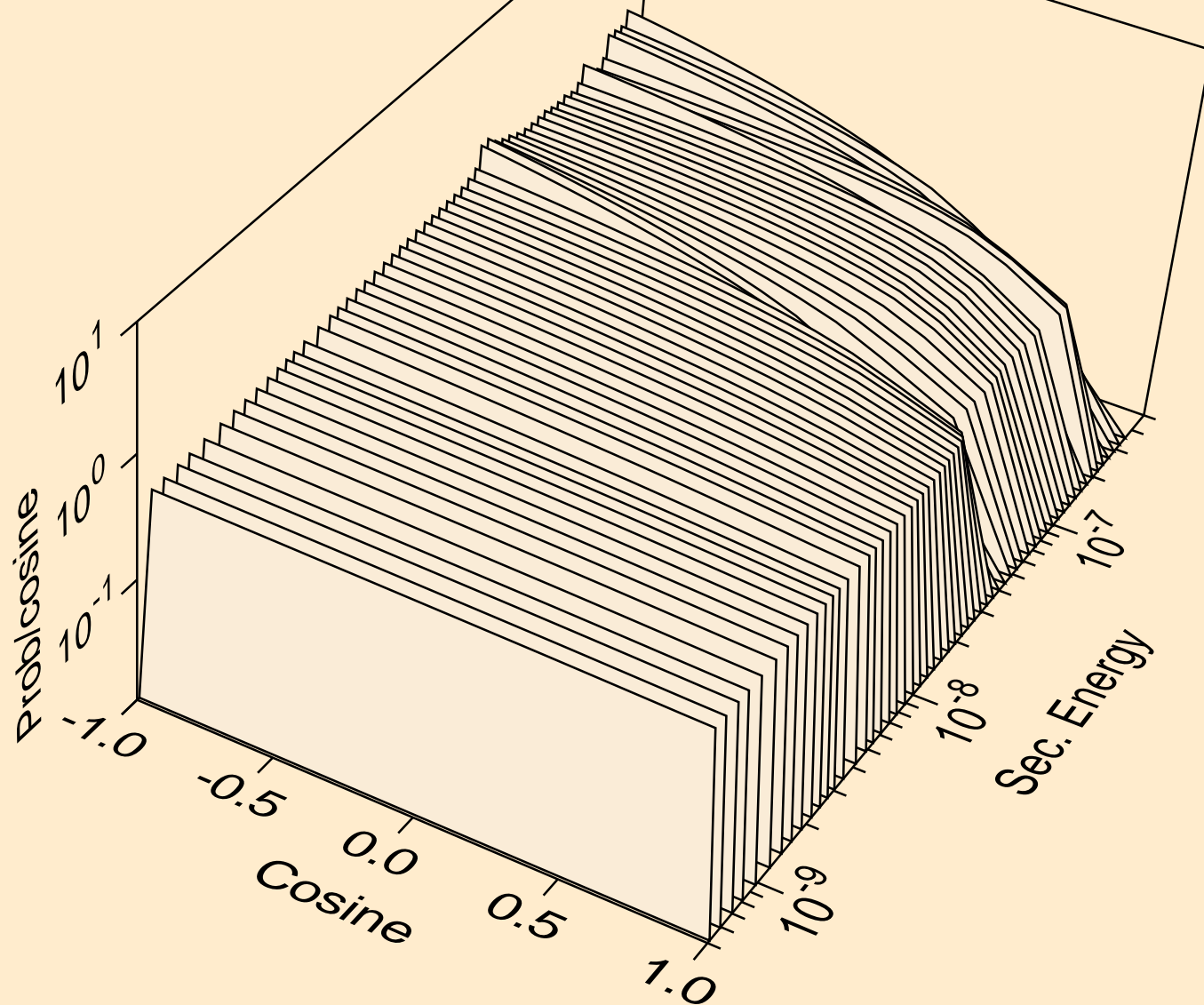
BE(BEO) AT 293.6K FROM ENDF/B-VII
thermal inelastic for $e= 1.012E-09$ MeV



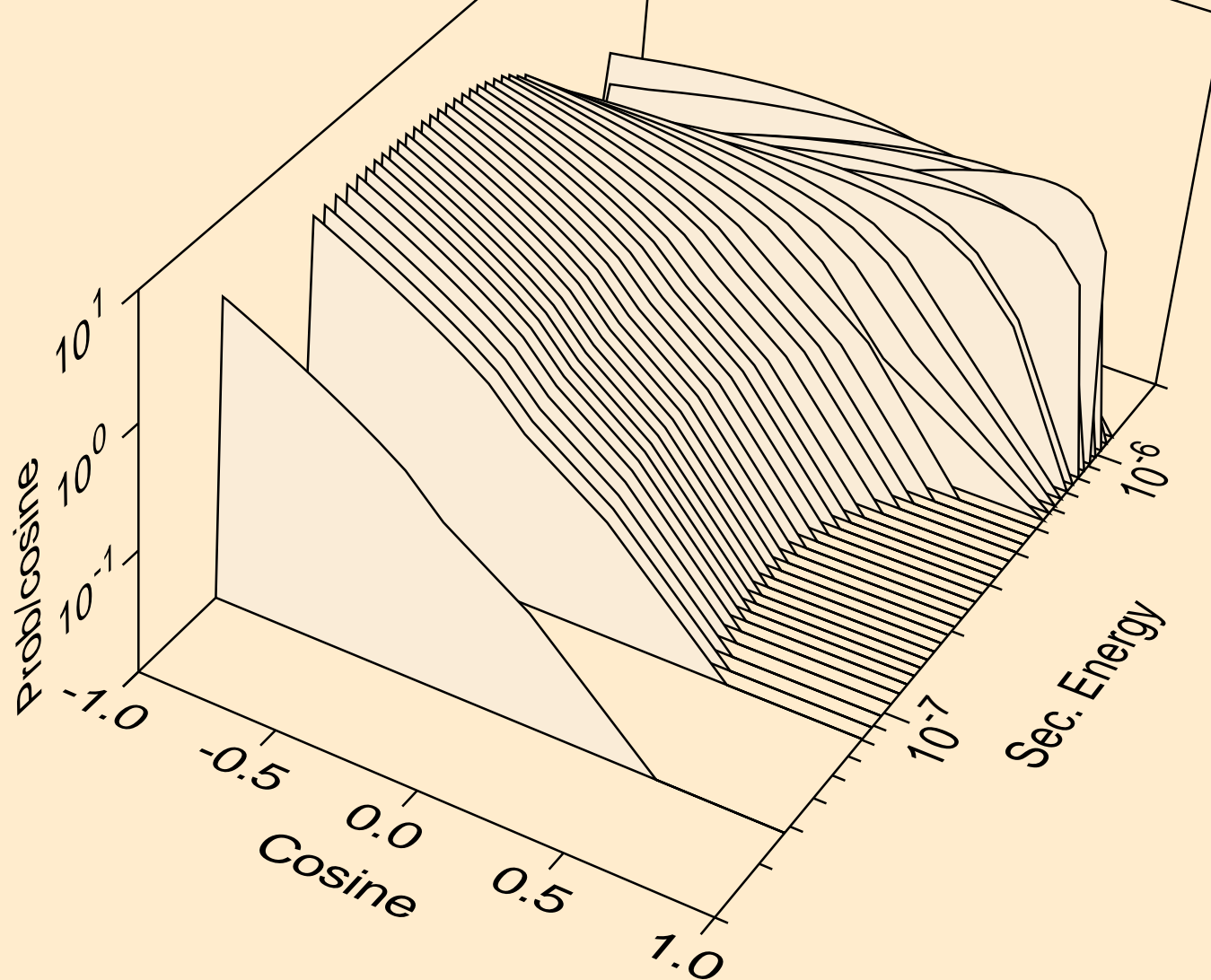
BE(BEO) AT 293.6K FROM ENDF/B-VII
thermal inelastic for $e = 1.619 \times 10^{-8}$ MeV



BE(BEO) AT 293.6K FROM ENDF/B-VII
thermal inelastic for $e = 1.200E-07$ MeV



BE(BEO) AT 293.6K FROM ENDF/B-VII
thermal inelastic for $e = 9.500E-07$ MeV



BE(BEO) AT 293.6K FROM ENDF/B-VII
thermal inelastic for $e = 8.400E-06$ MeV

