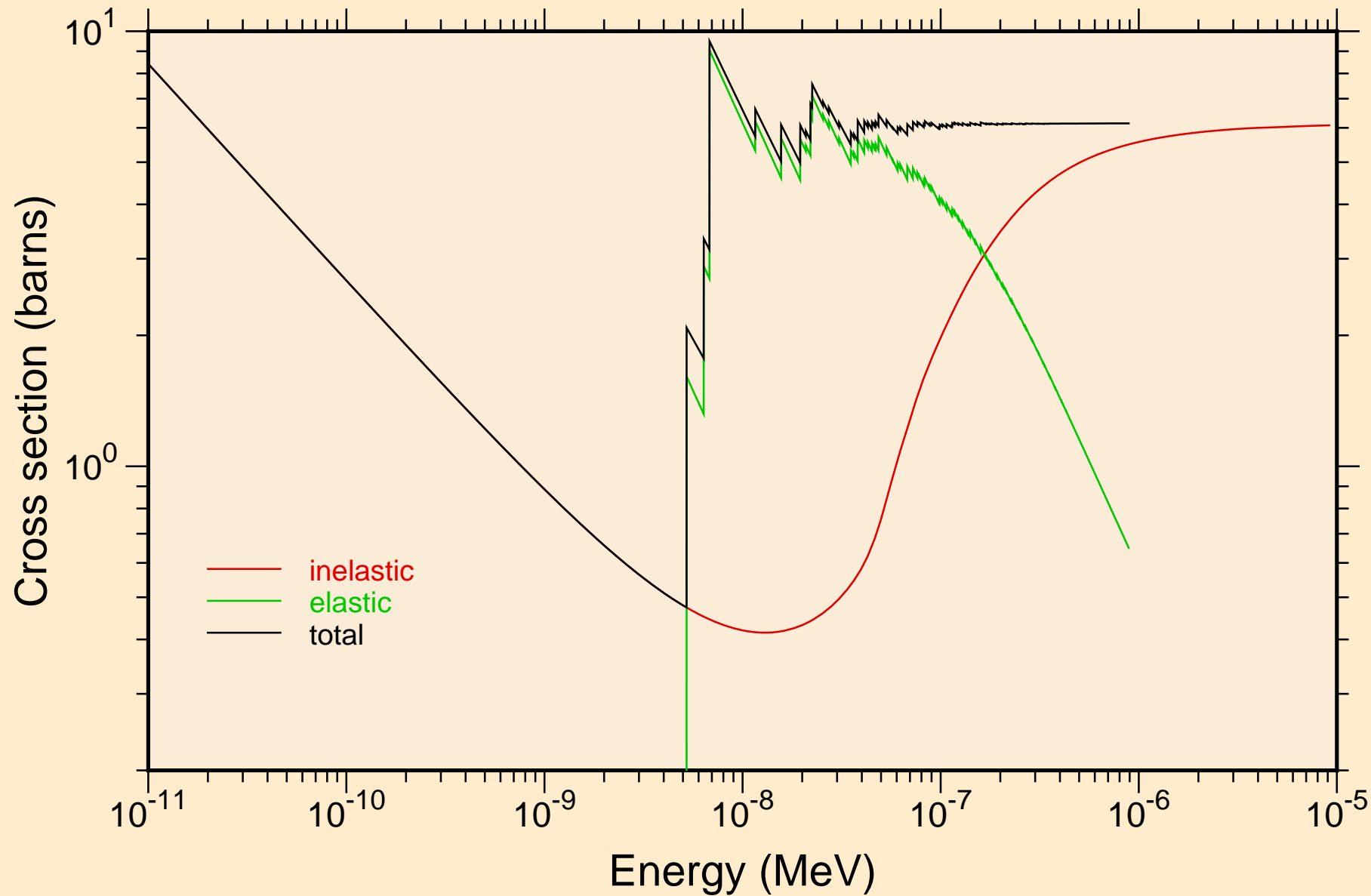


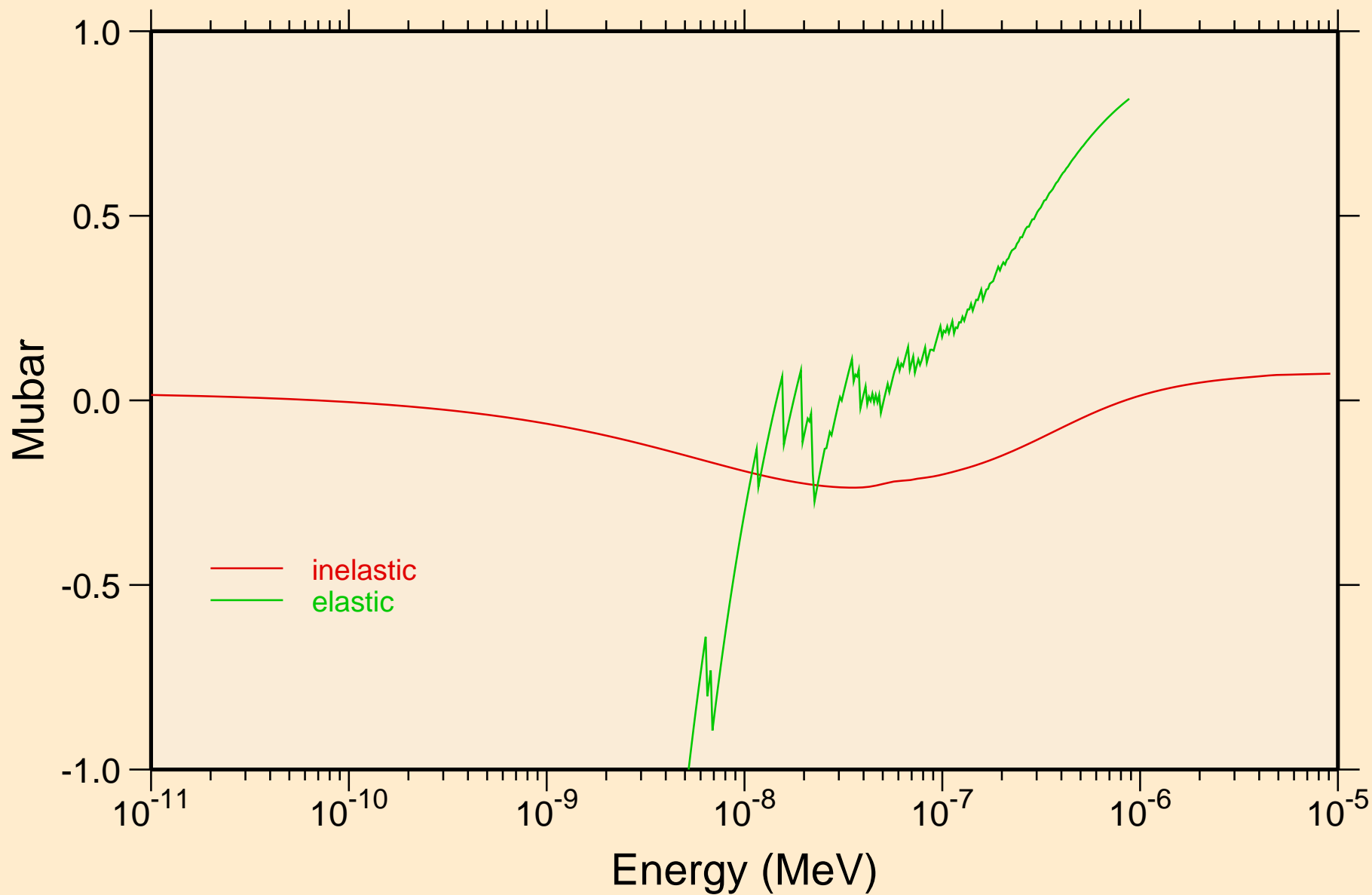
BE(METAL) AT 293.6K FROM ENDF/B-VII

Thermal cross sections



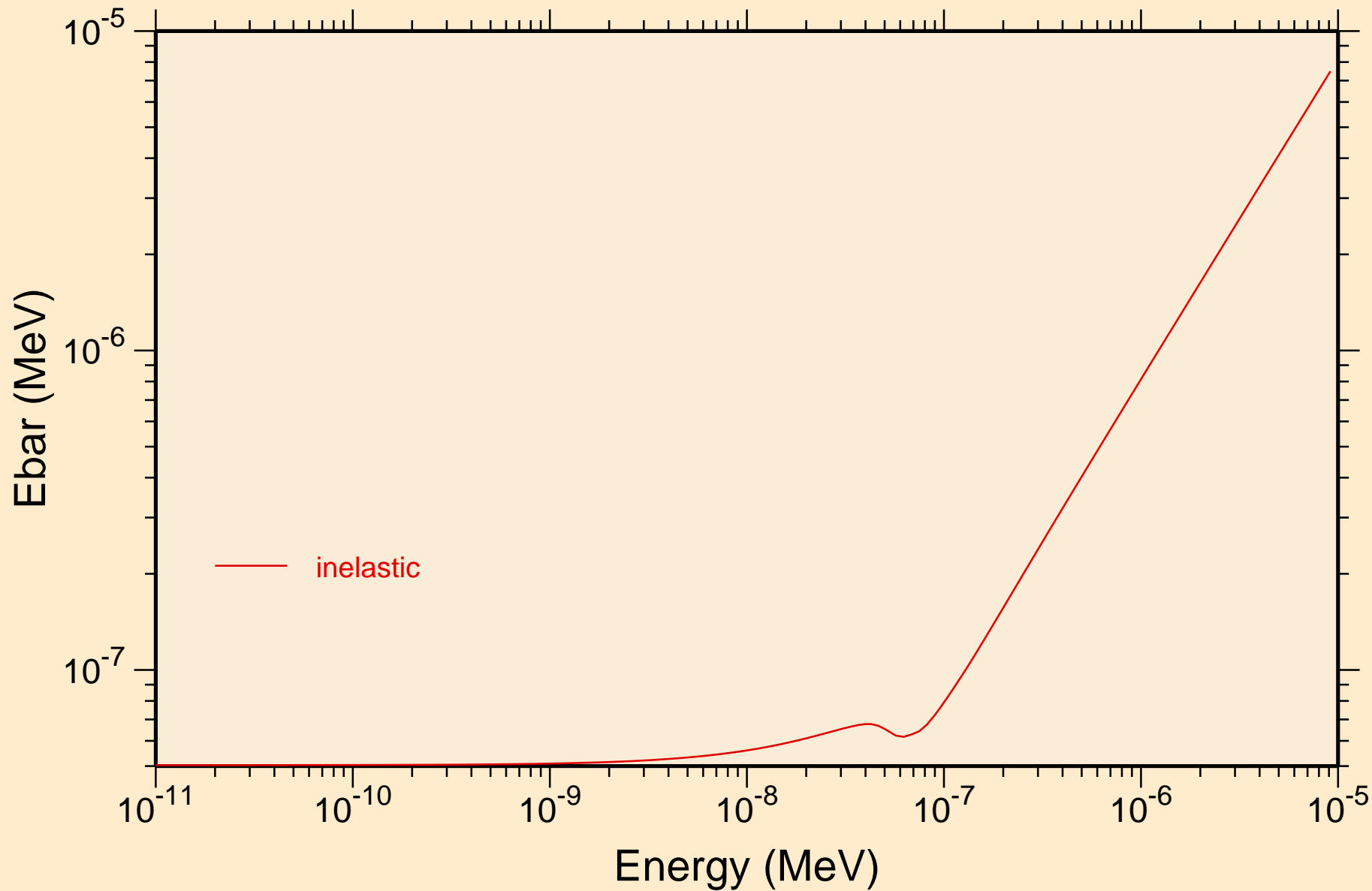
BE(METAL) AT 293.6K FROM ENDF/B-VII

Thermal mubar

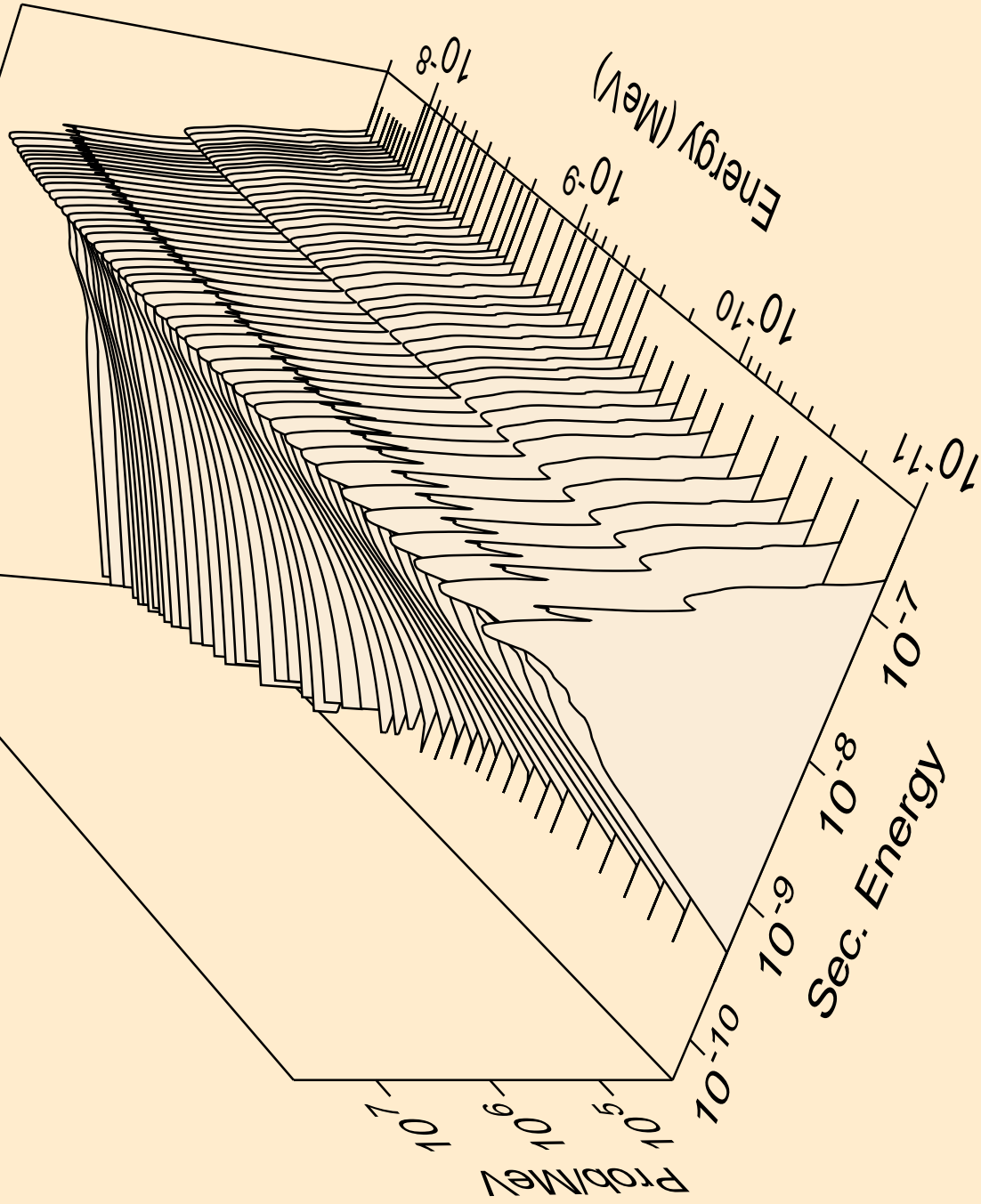


BE(METAL) AT 293.6K FROM ENDF/B-VII

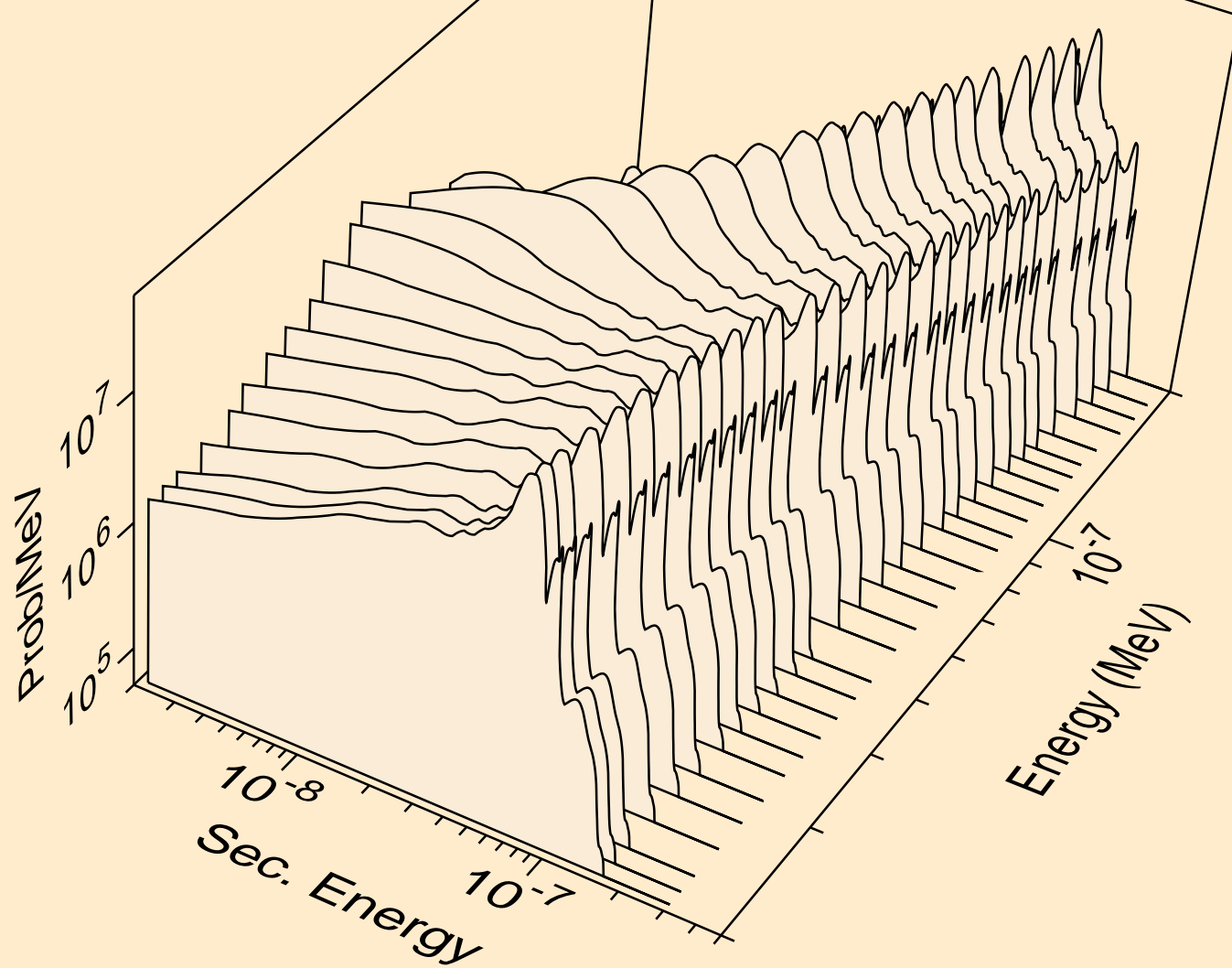
Thermal ebar



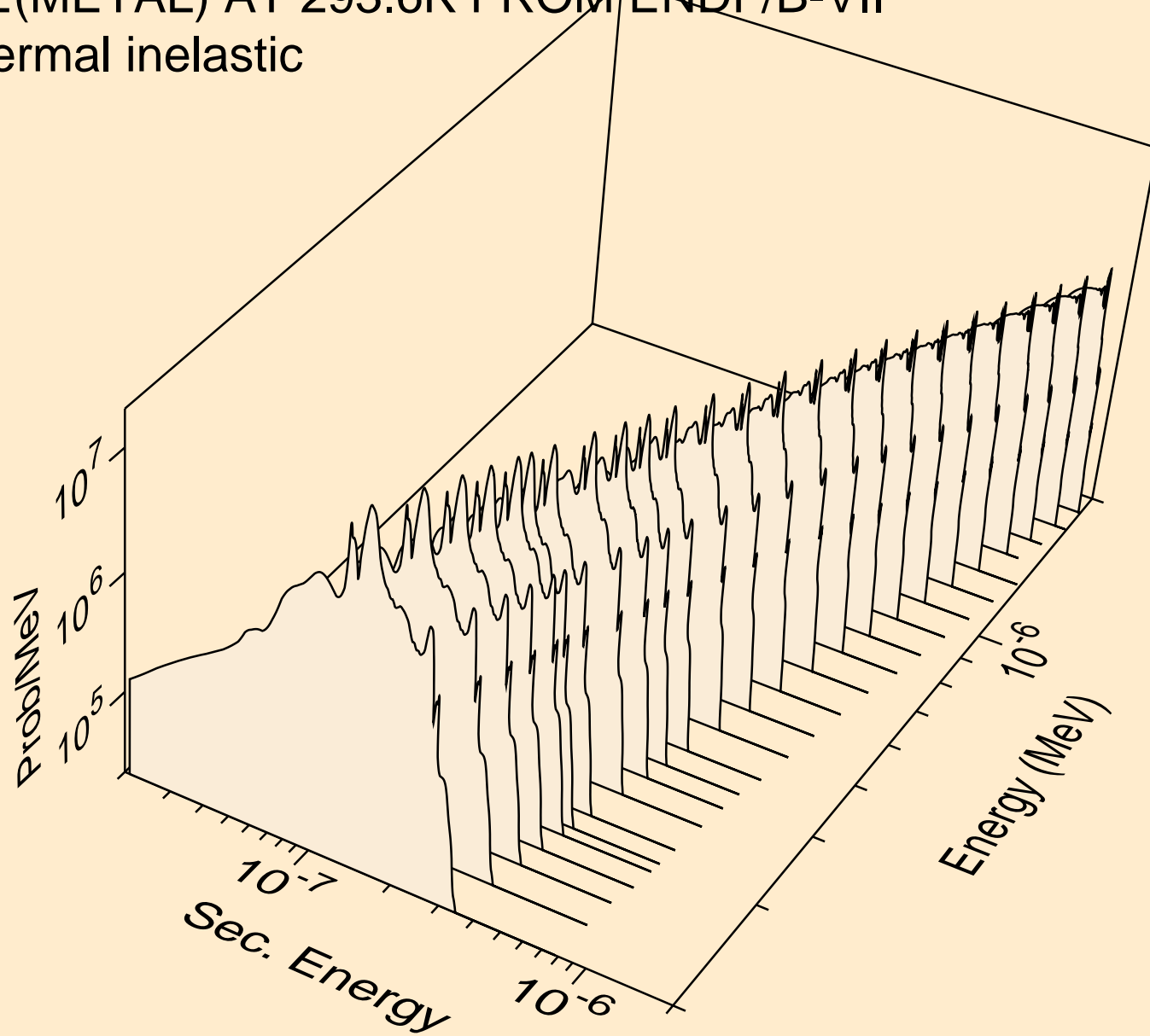
BE(METAL) AT 293.6K FROM ENDF/B-VII
thermal inelastic



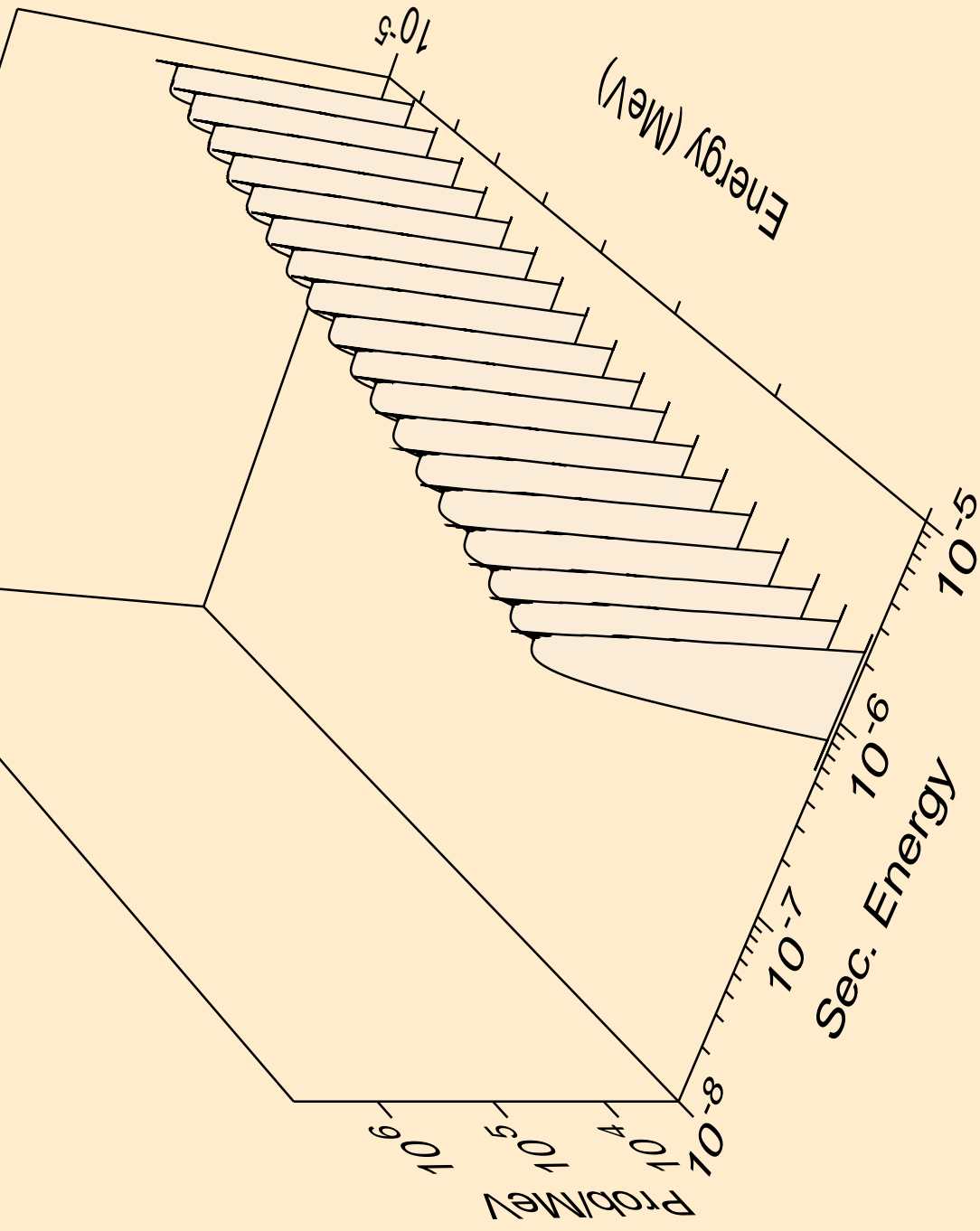
BE(METAL) AT 293.6K FROM ENDF/B-VII
thermal inelastic



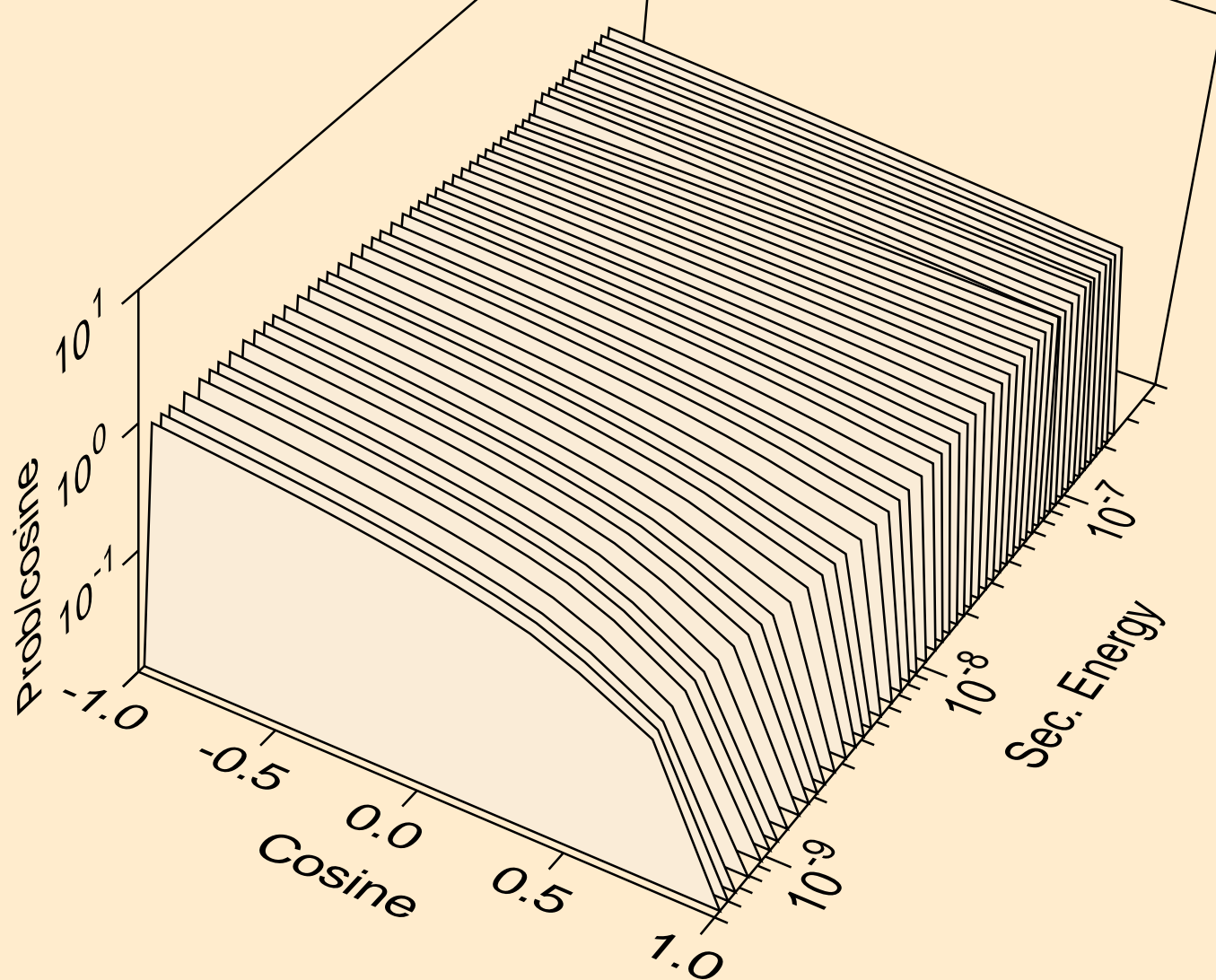
BE(METAL) AT 293.6K FROM ENDF/B-VII
thermal inelastic



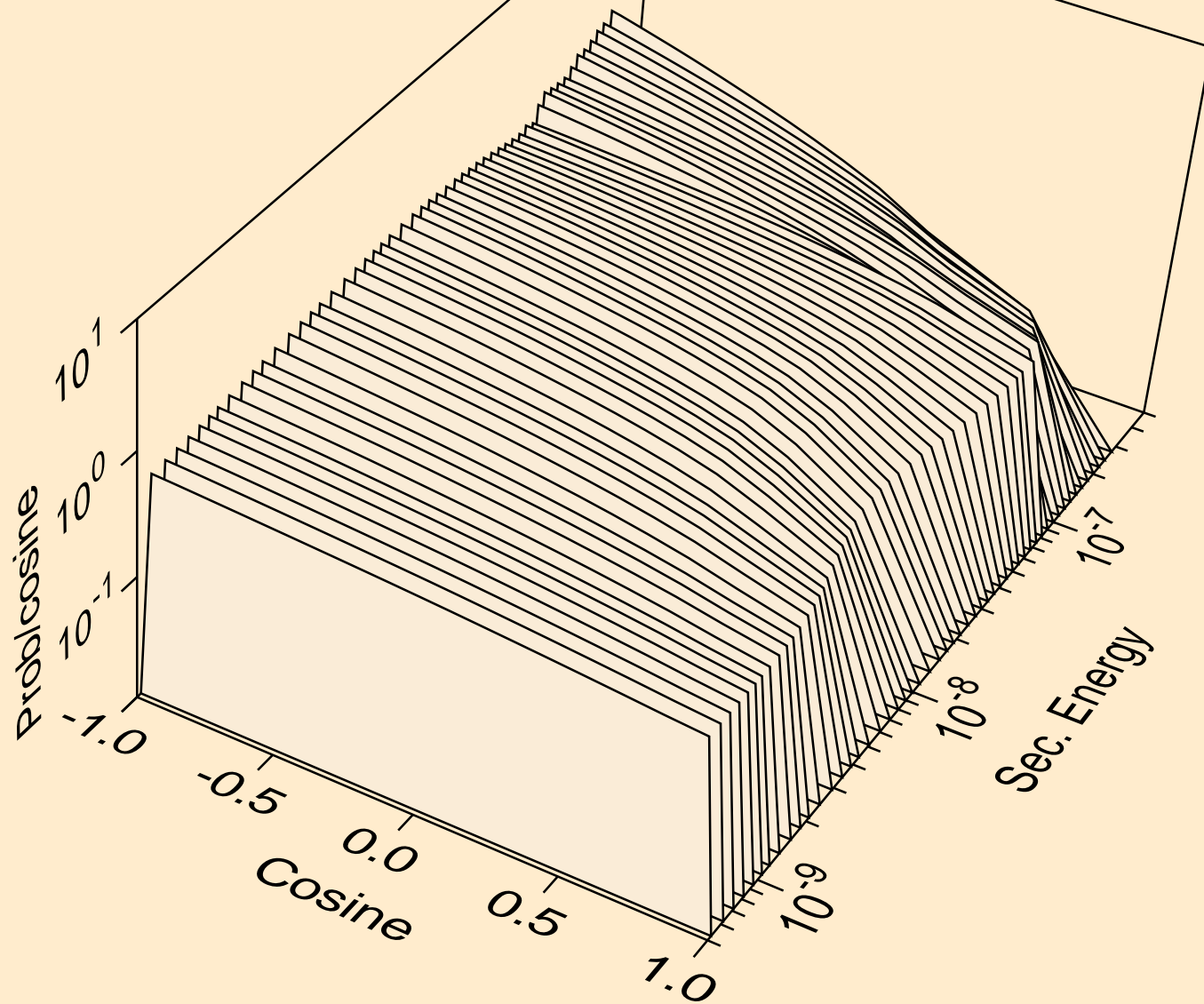
BE(METAL) AT 293.6K FROM ENDF/B-VII
thermal inelastic



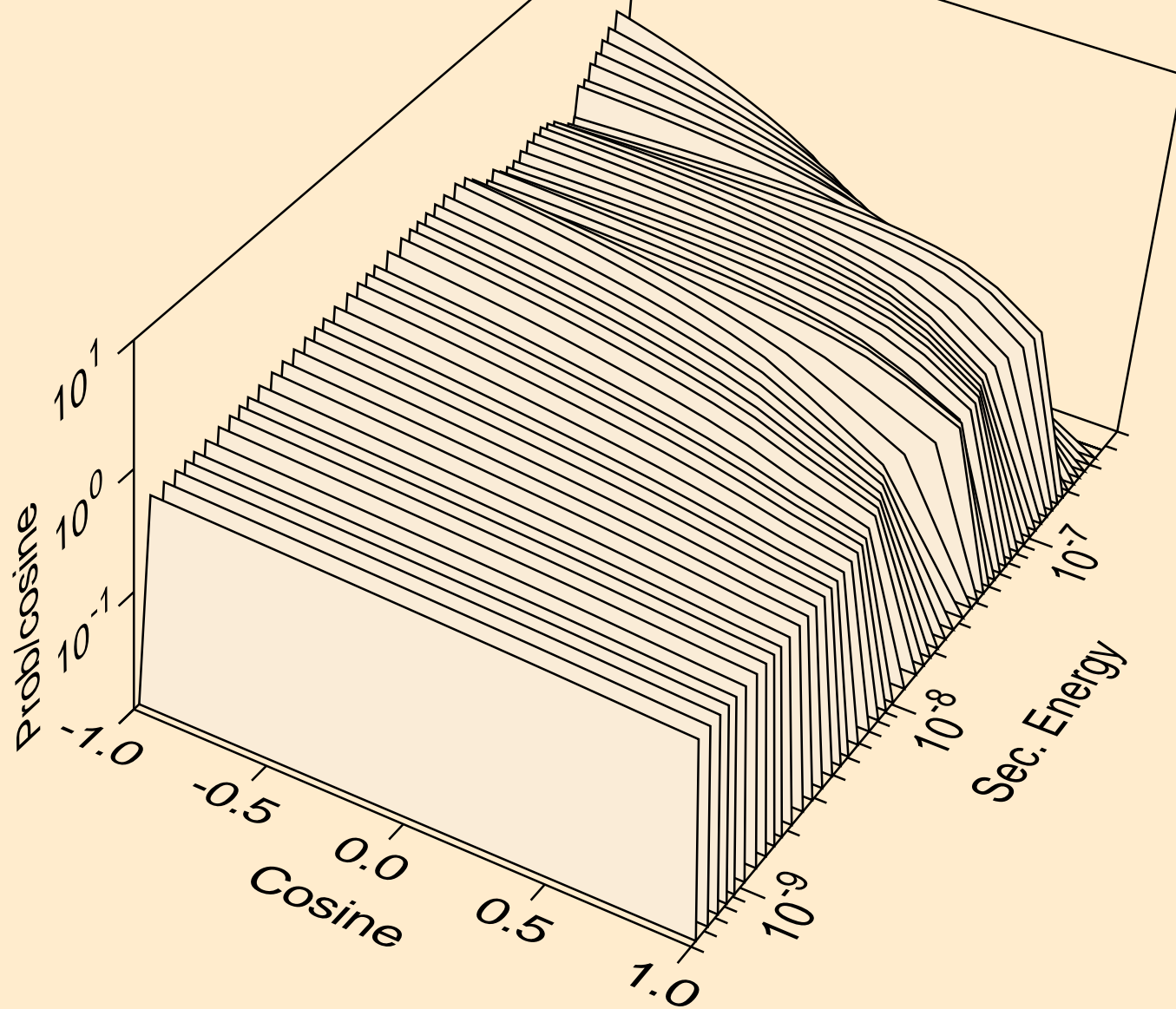
BE(METAL) AT 293.6K FROM ENDF/B-VII
thermal inelastic for $e = 1.012E-09$ MeV



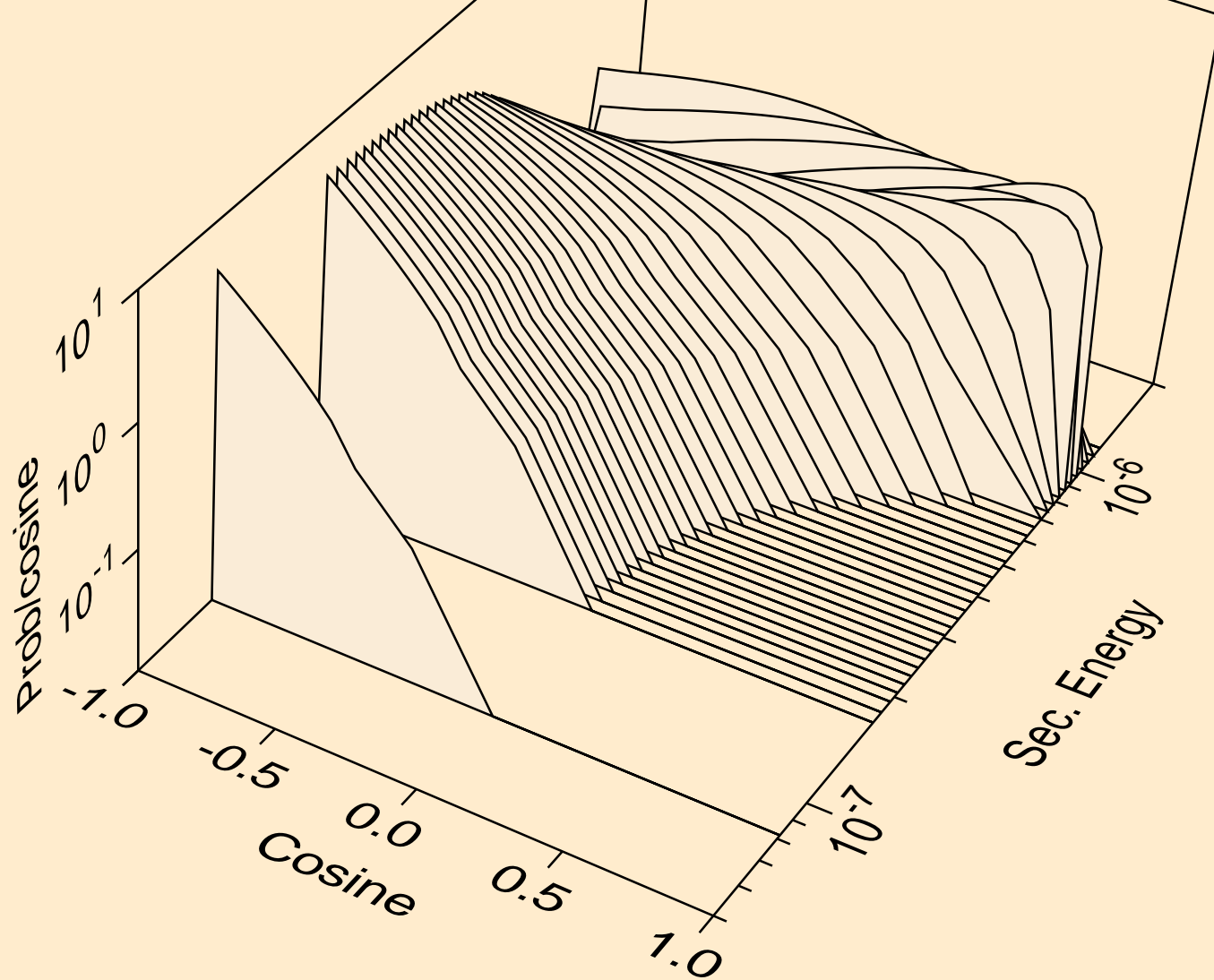
BE(METAL) AT 293.6K FROM ENDF/B-VII
thermal inelastic for $e = 1.619 \times 10^{-8}$ MeV



BE(METAL) AT 293.6K FROM ENDF/B-VII
thermal inelastic for $e = 1.200E-07$ MeV



BE(METAL) AT 293.6K FROM ENDF/B-VII
thermal inelastic for $e = 9.500E-07$ MeV



BE(METAL) AT 293.6K FROM ENDF/B-VII
thermal inelastic for e= 8.400E-06 MeV

