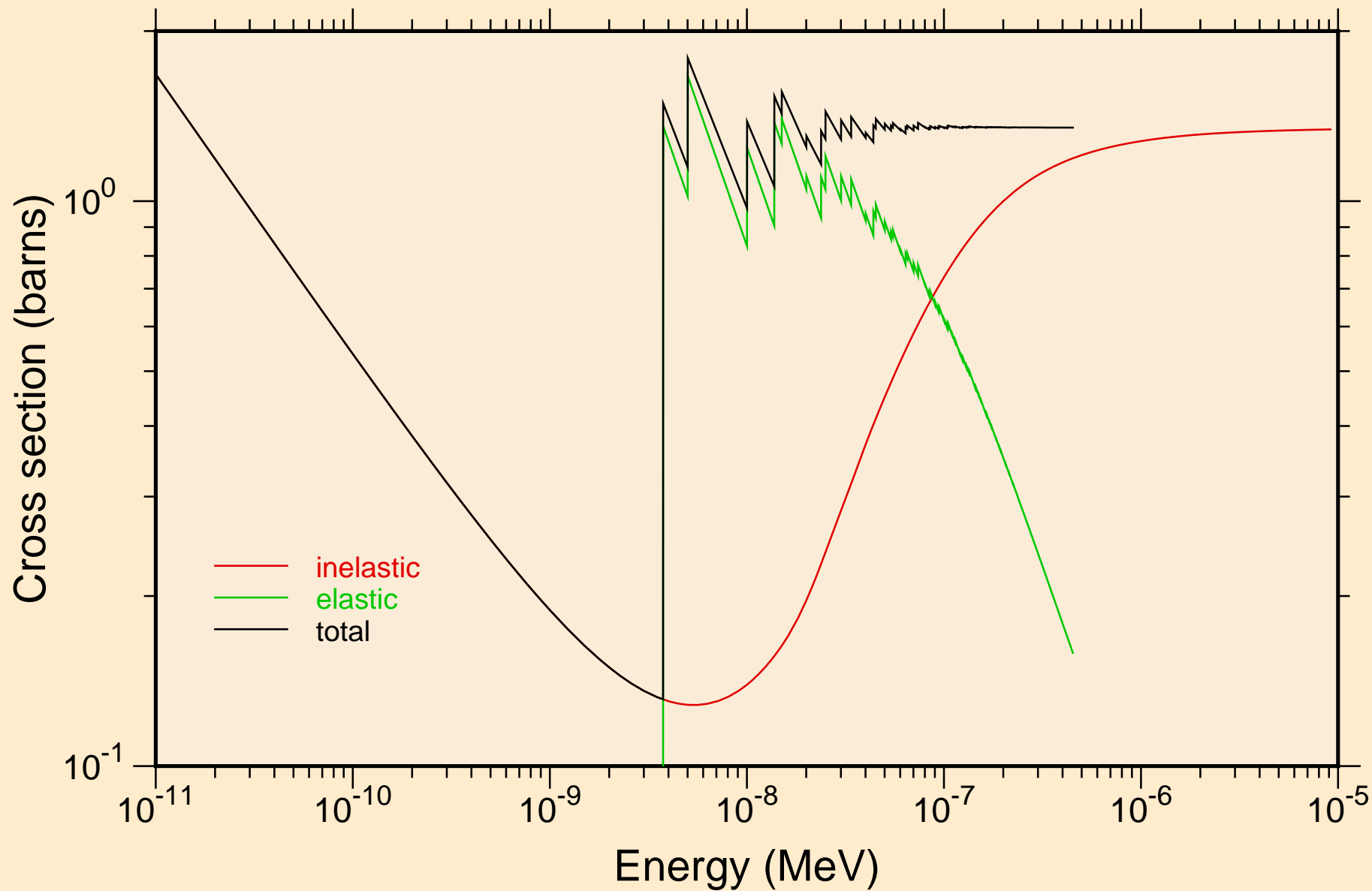


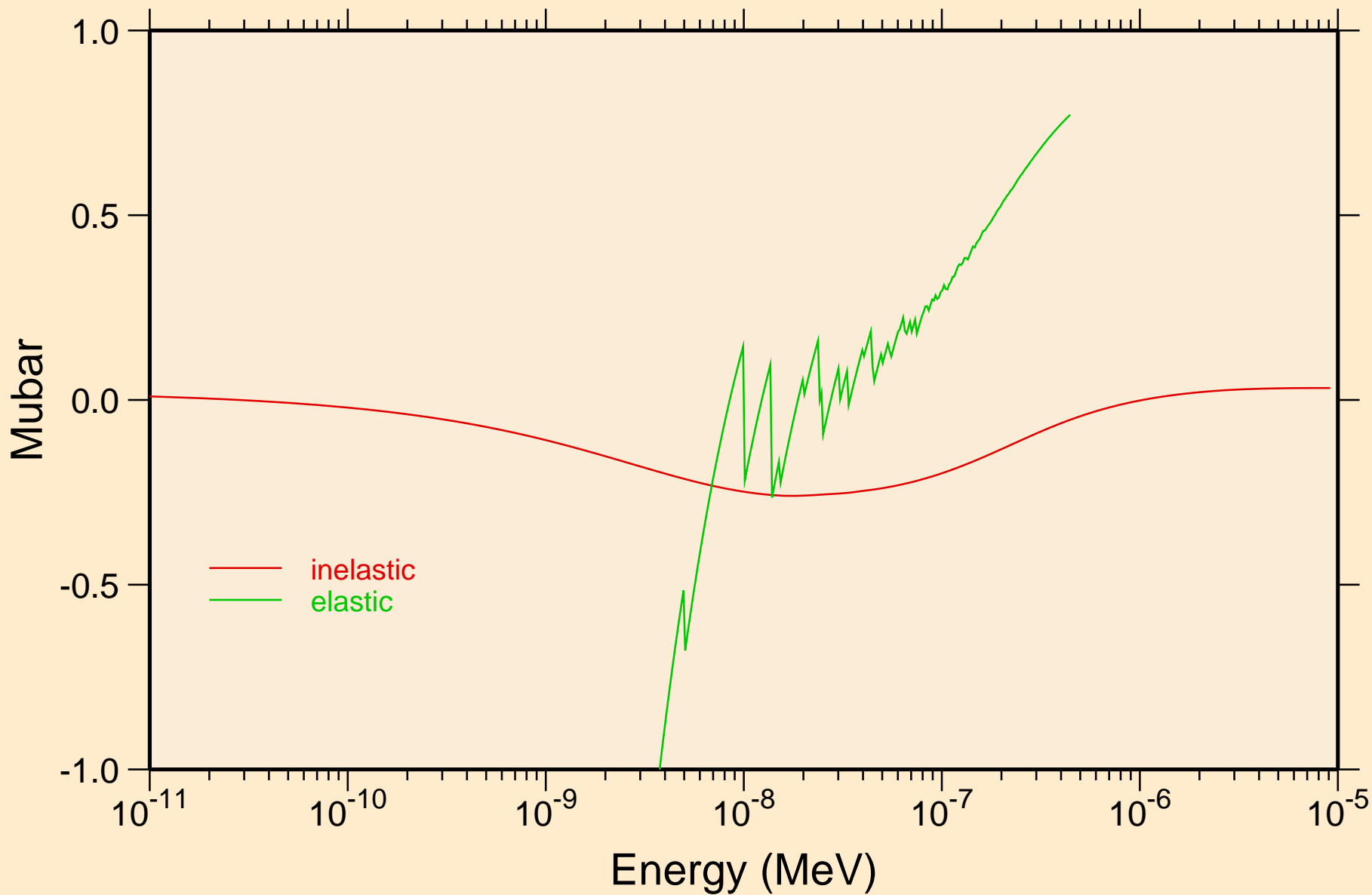
AL(METAL) AT 293.6K FROM ENDF/B-VII

Thermal cross sections

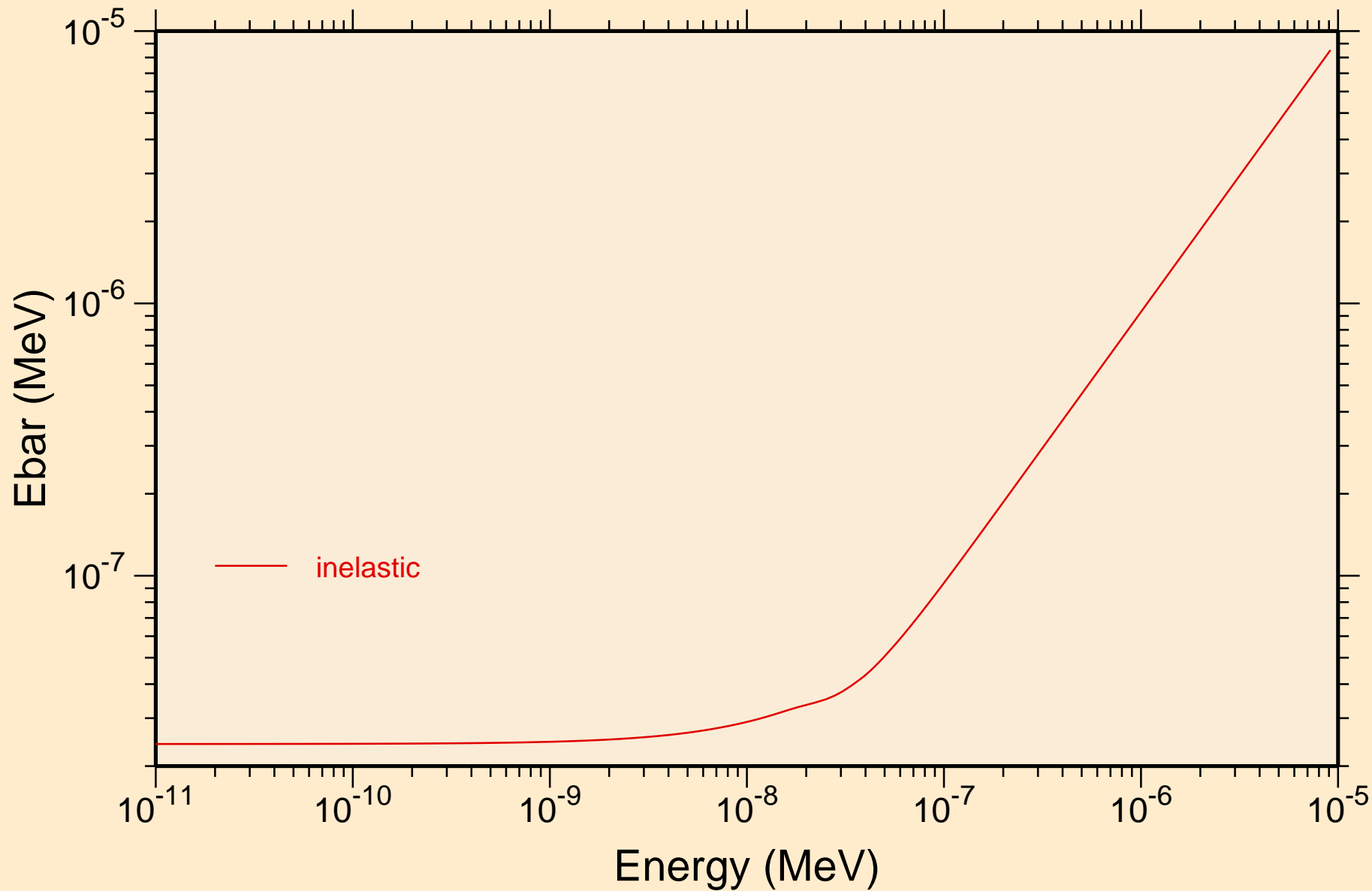


AL(METAL) AT 293.6K FROM ENDF/B-VII

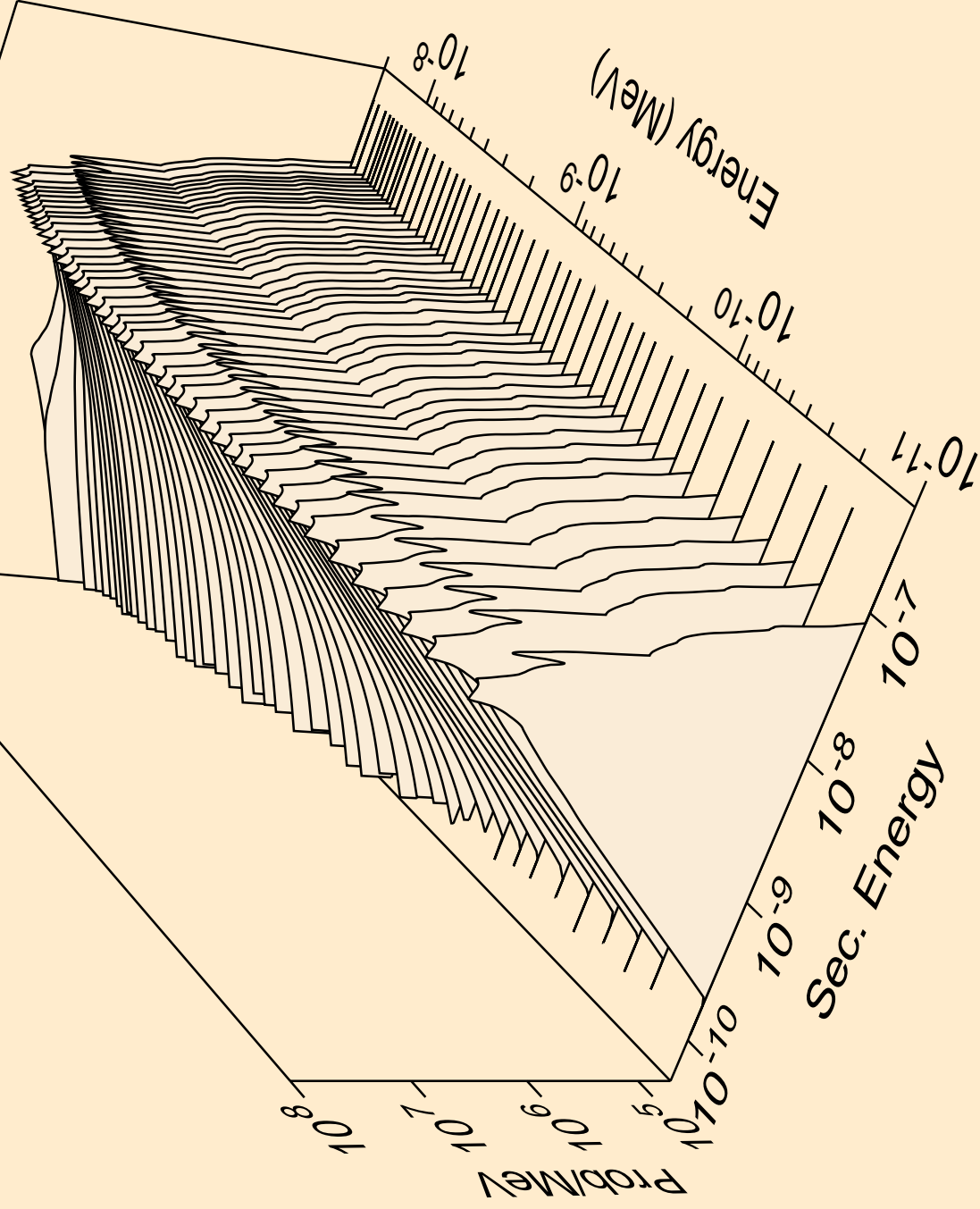
Thermal mubar



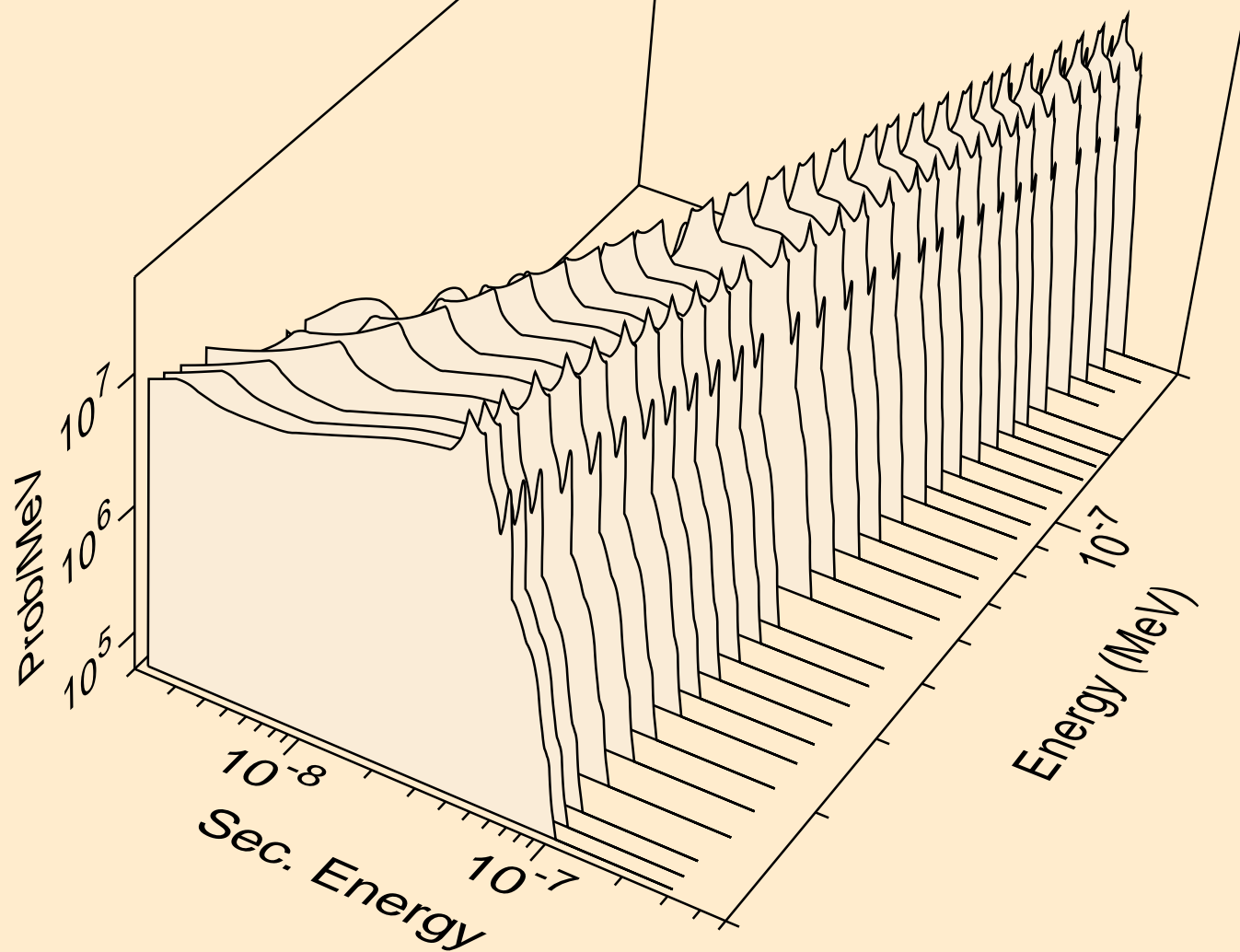
AL(METAL) AT 293.6K FROM ENDF/B-VII
Thermal ebar



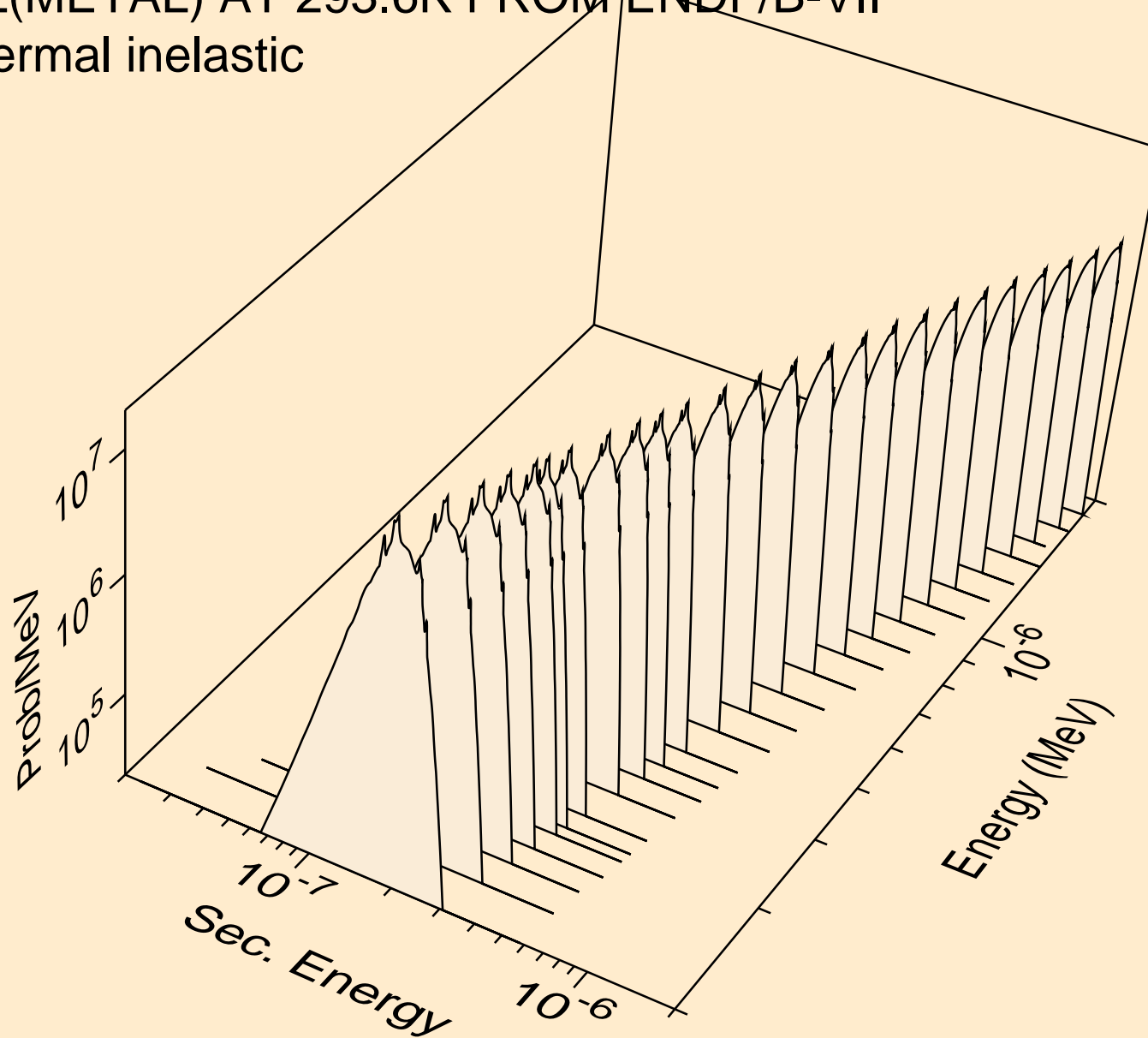
AL(METAL) AT 293.6K FROM ENDF/B-VII
thermal inelastic



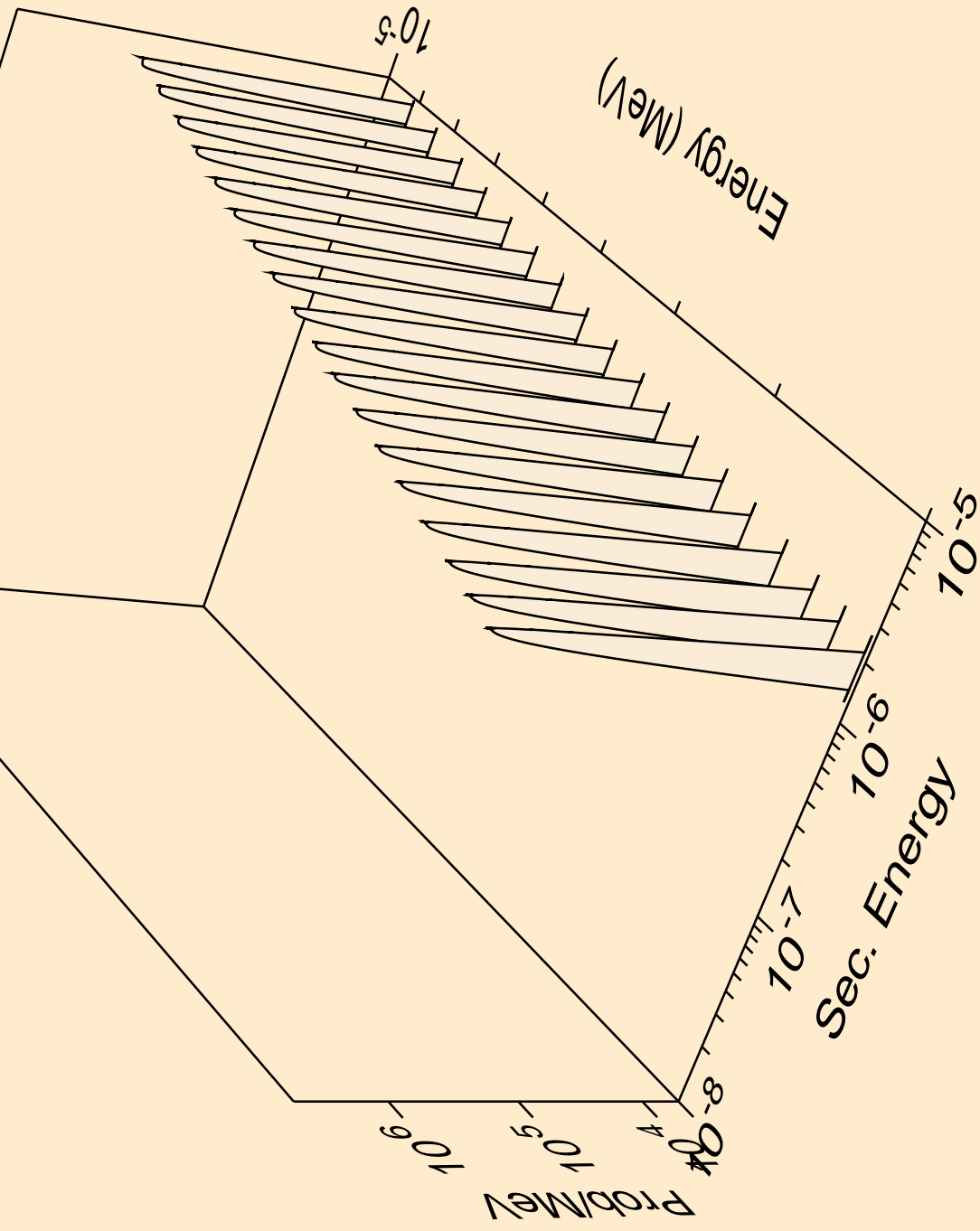
AL(METAL) AT 293.6K FROM ENDF/B-VII
thermal inelastic



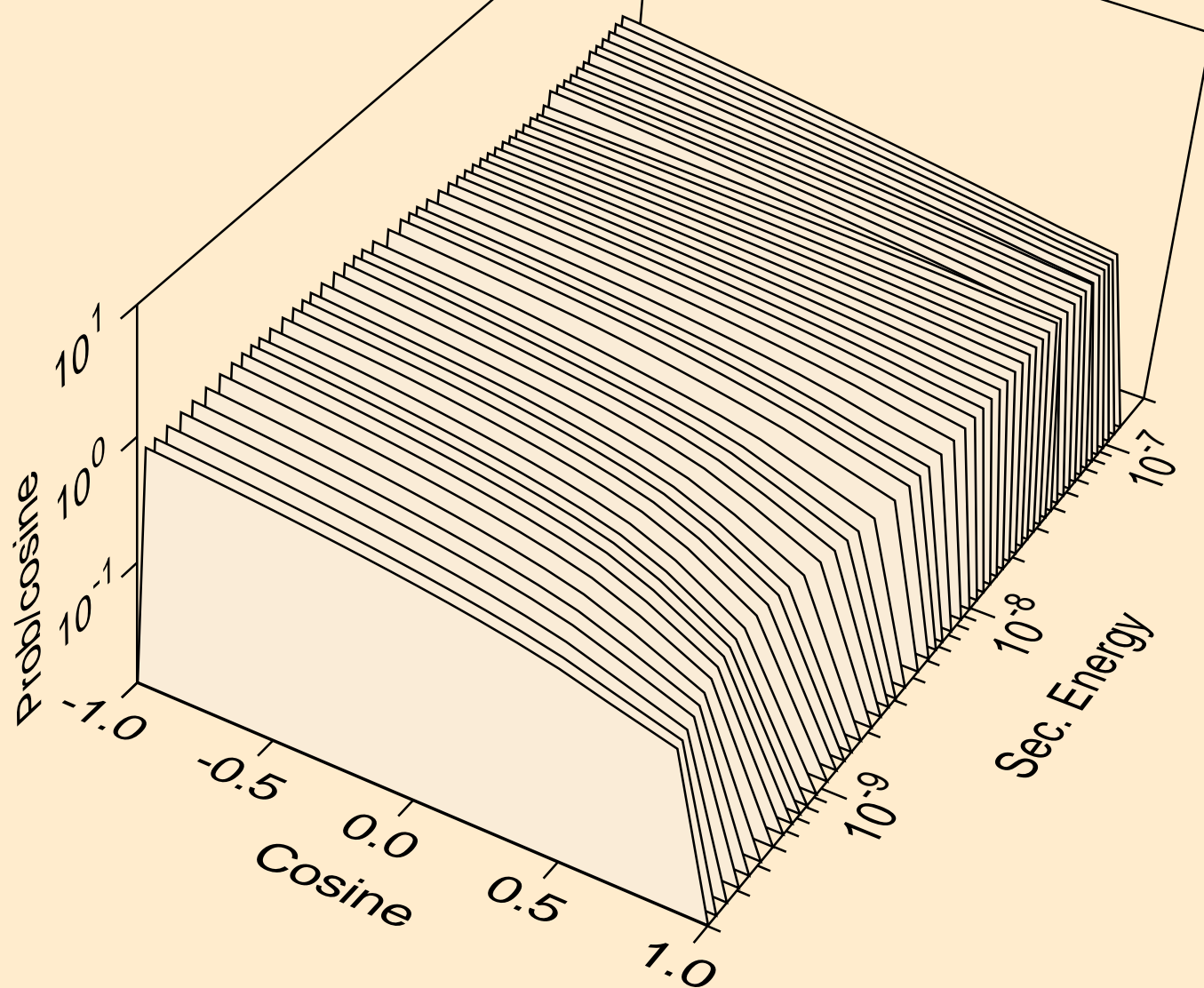
AL(METAL) AT 293.6K FROM ENDF/B-VII
thermal inelastic



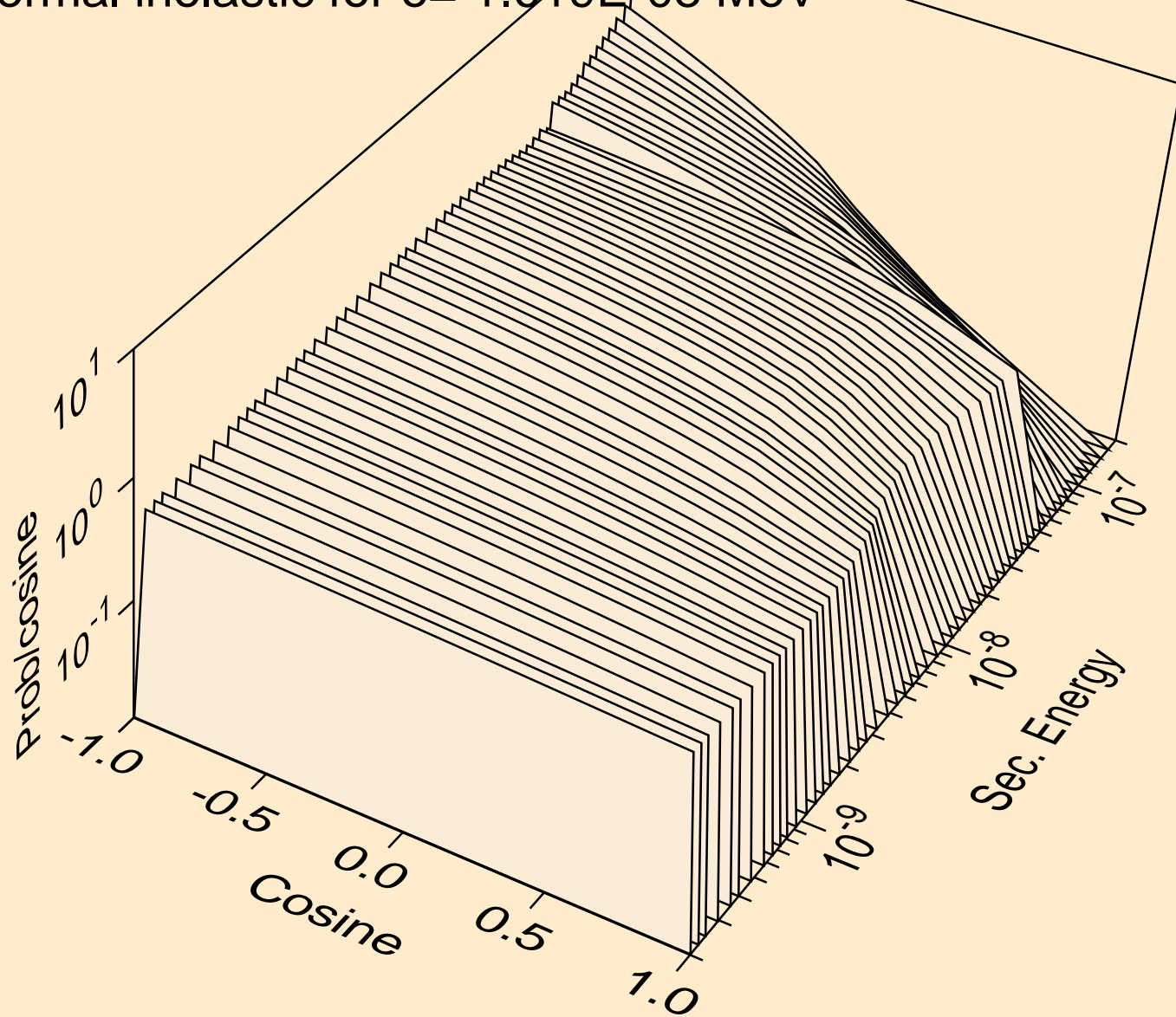
AL(METAL) AT 293.6K FROM ENDF/B-VII
thermal inelastic



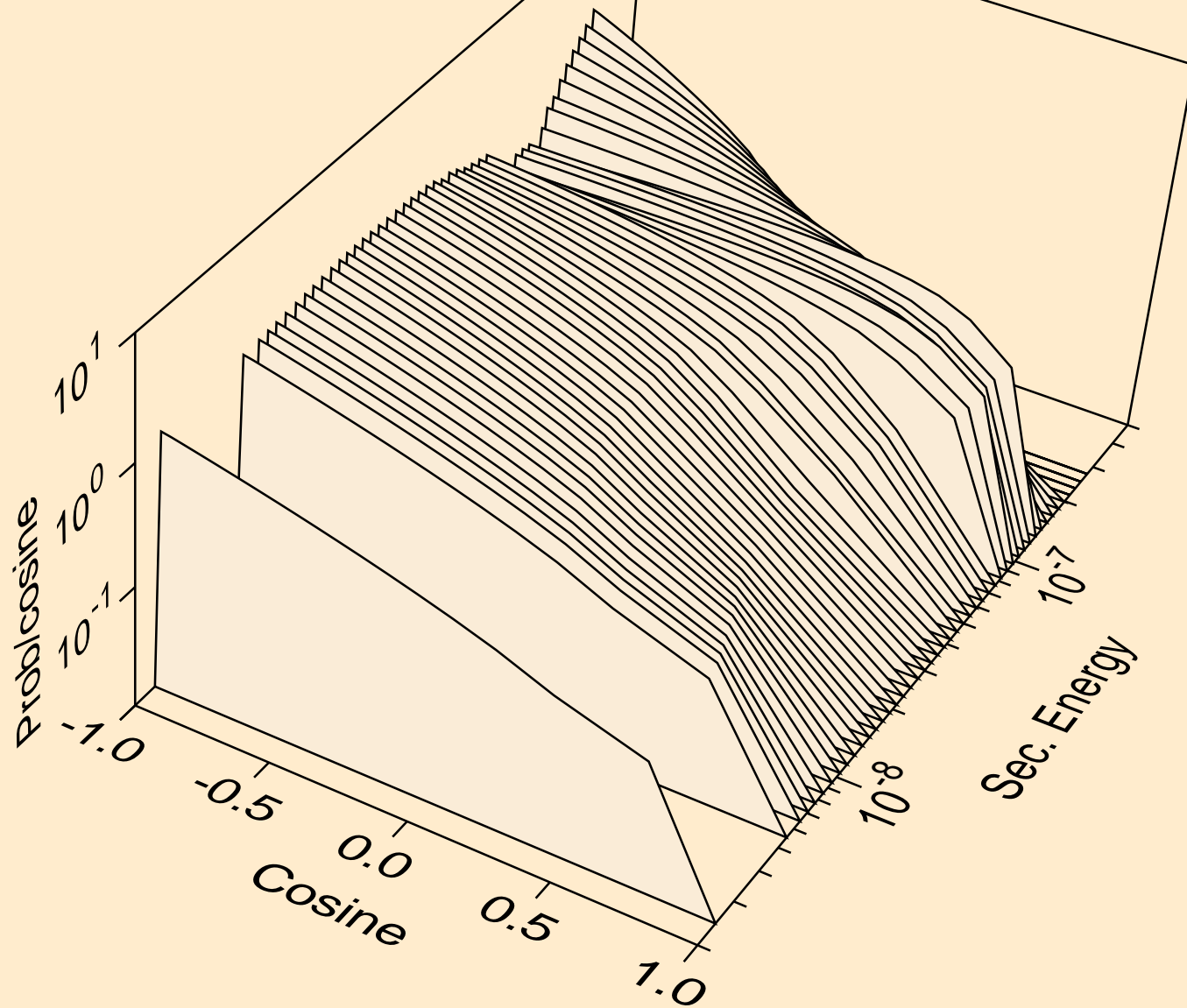
AL(METAL) AT 293.6K FROM ENDF/B-VII
thermal inelastic for $e = 1.012E-09$ MeV



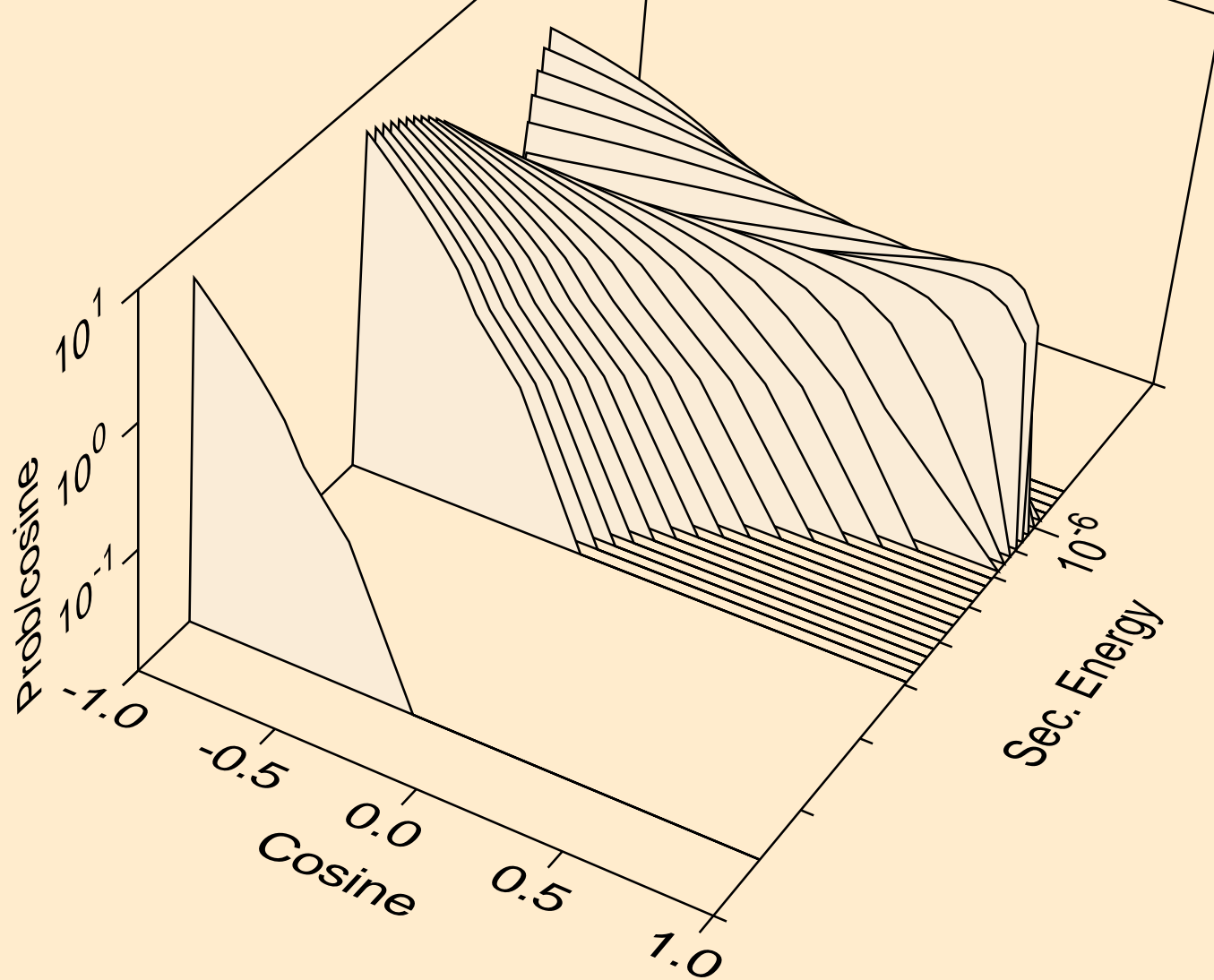
AL(METAL) AT 293.6K FROM ENDF/B-VII
thermal inelastic for $e = 1.619E-08$ MeV



AL(METAL) AT 293.6K FROM ENDF/B-VII
thermal inelastic for $e = 1.200E-07$ MeV



AL(METAL) AT 293.6K FROM ENDF/B-VII
thermal inelastic for $e = 9.500E-07$ MeV



AL(METAL) AT 293.6K FROM ENDF/B-VII
thermal inelastic for $e = 8.400E-06$ MeV

