



HARMONIZED SYSTEM  
COMMITTEE  
-  
25th Session  
-

NC0237E1

O. Fr.

H9-3

Brussels, 15 February 2000.

## CLASSIFICATION OF A COMPRESSION TYPE REFRIGERATING UNIT

(Item VIII.17 on Agenda)

### Reference documents :

NC0041E1 (HSC/23)  
NC0160E2, Annex H/17 (HSC/24 – Report)  
NC0198E1

### I. SECRETARIAT COMMENTS

1. After the publication of Doc. NC0198E1, the Secretariat received a Note from the EC concerning the various types of condensers on the market.
2. The annexes accompanying the EC Note are appended hereto.

### II. NOTE BY THE EC

3. “At its 24<sup>th</sup> Session in October 1999, the Harmonized System Committee (HSC) decided to continue examining the classification of a compression-type refrigerator with a view to determining the various types of condensers on the market and also whether there are condensers which do not operate according to the principle of heat exchange as described in Part (I) (B) of the Explanatory Note to heading 84.19.
4. In order to have a clear idea of the various types of condensers available, the European Commission contacted various Swedish manufacturers of condensers. In response, a number of brochures have been received which show that, in principle, there are two types of condensers, namely condensers which actually constitute heat exchangers (...) and condensers which are merely condensers and nothing more (...). The latter can be

File No. 2637

NC0237E1

distinguished from condensers/heat exchangers by the fact that they are not designed to heat or cool a fluid and, consequently, do not correspond to the description of heat exchange units in the Explanatory Note to heading 84.19.

5. It is hoped that this information may prove useful in determining the scope of subheading 8418.61.
6. Full documentation will be made available at the HSC's 25<sup>th</sup> Session."

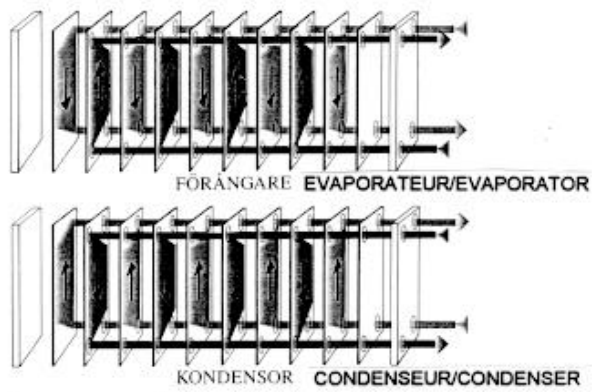
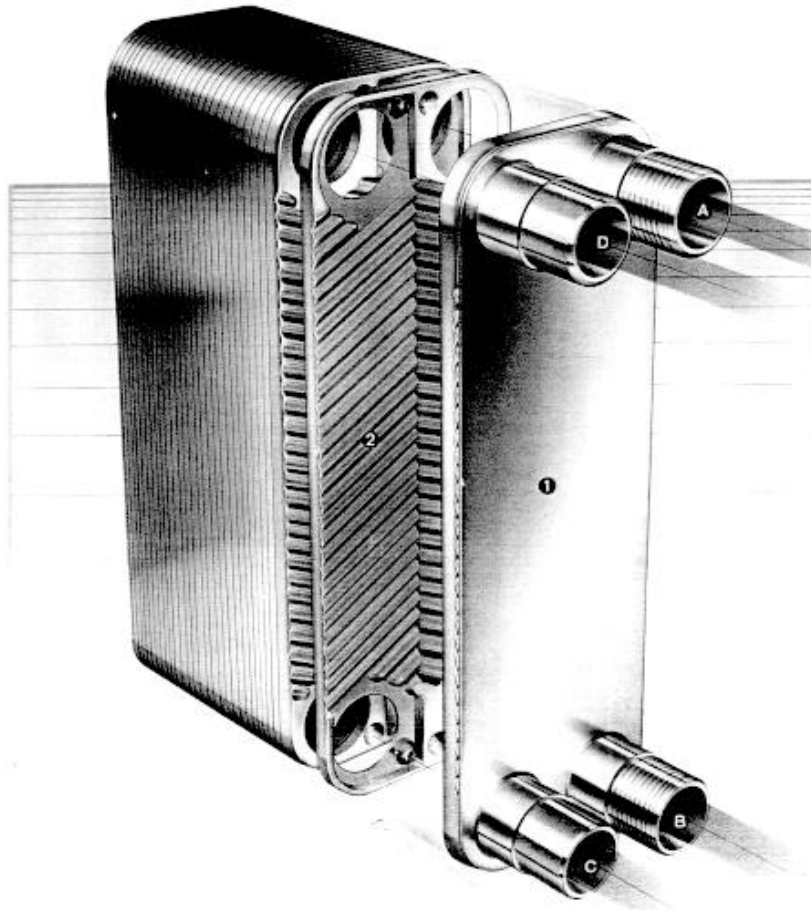
### III. CONCLUSION

7. The Committee is invited to take the above information into account when examining this Agenda item.

\* \* \*

(CSH/25/mars 2000)  
(HSC/25/March 2000)

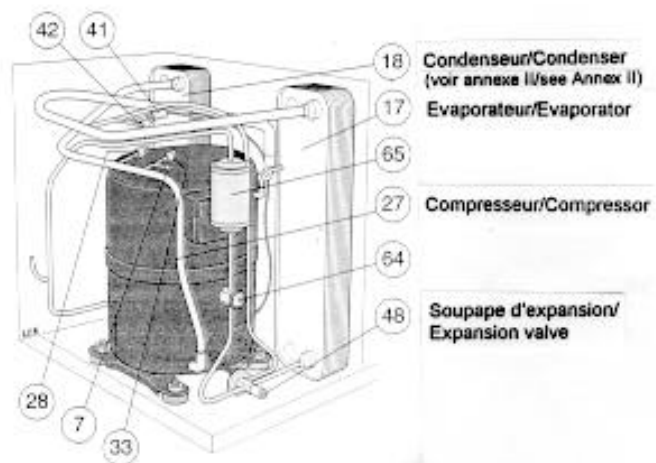
Echangeur de chaleur/Heat exchange unit  
Evaporateur/Evaporator - Condenseur/Condenser



■ Köldmedium ■ Servicemedium  
Fluide frigorigène/ Refrigerant Milieu à traiter/ Medium to be treated

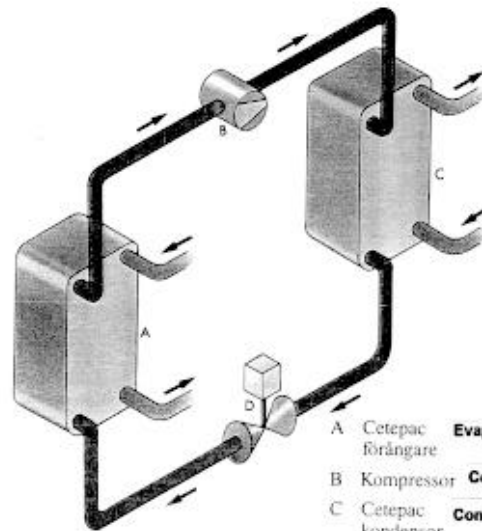
Annexe au Doc. NC0237B1  
Annex to

(CSH/25/mars 2000)  
(HSC/25/March 2000)



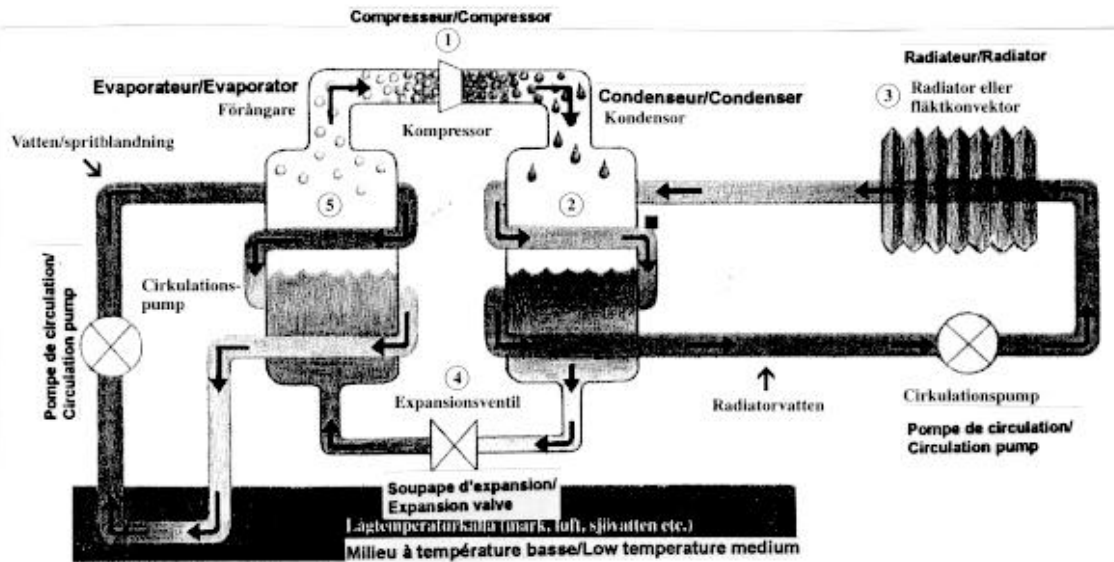
(CSH/25/mars 2000)  
 (HSC/25/March 2000)

**Pompe à chaleur/Heat Pump**



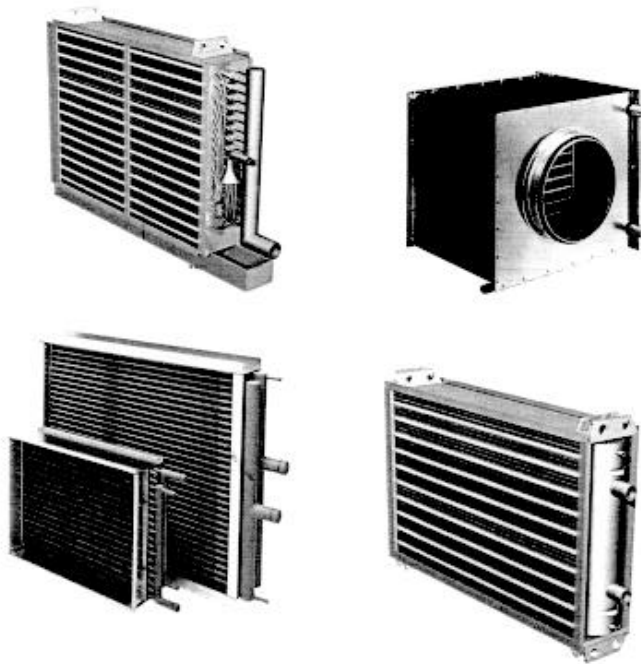
- A Cetepac Evaporateur/Evaporator  
förångare
- B Kompressor Compresseur/Compressor
- C Cetepac Condenseur/Condenser  
kondensor
- D Expansionsventil Soupape d'expansion/  
Expansion valve

Köldmedium  
 Servicemedium  
 Fluide frigorigène/ Refrigerant      Milieu à traiter/ Medium to be treated

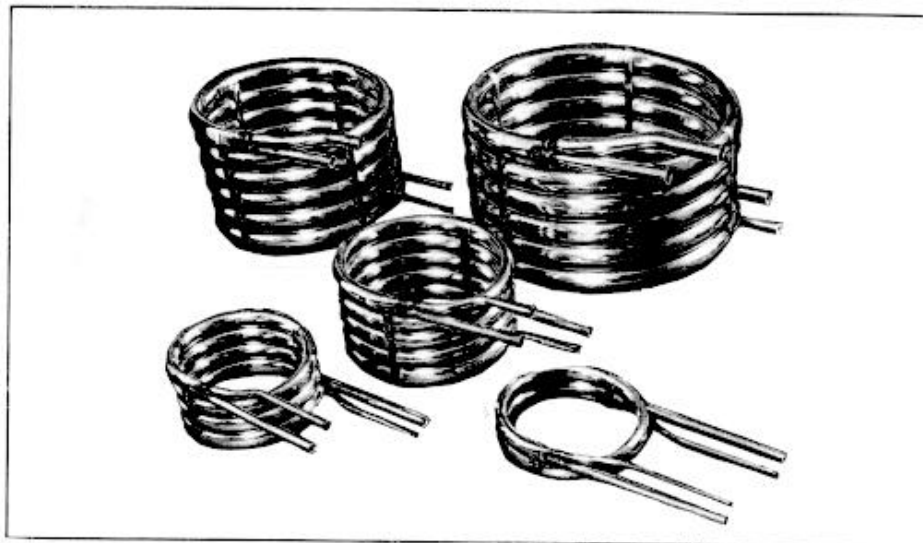


## Värmeväxlare

Echangeurs de chaleur/Heat exchange units



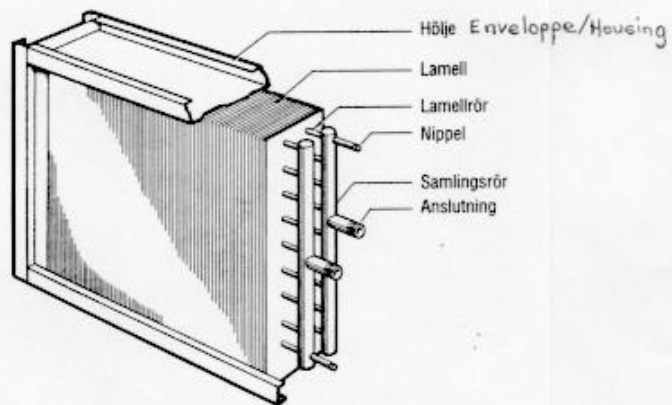
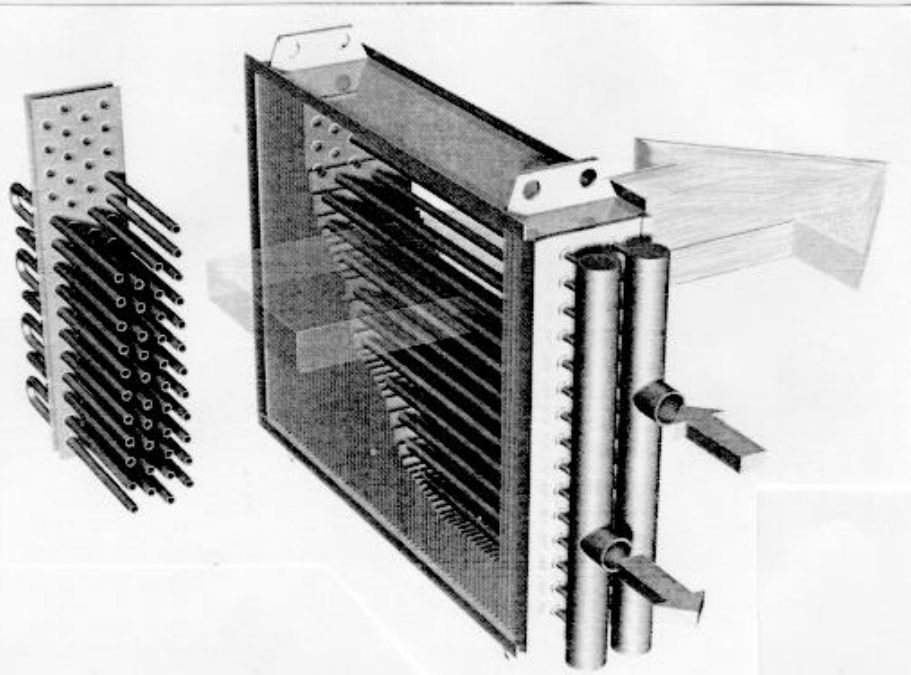
Condenseurs à double tuyaux (du type coaxial)/Double tube condensers (Co-axial type)



(CSH/25/mars 2000)  
(HSC/25/March 2000)

## Echangeurs de chaleur/Heat exchange units

(Pour le réchauffage ou le refroidissement de l'air/For air heating or cooling)



(CSH/25/mars 2000)  
(HSC/25/March 2000)

**Groupes à compression dont le condenseur n'est pas constitué par un échangeur de chaleur**  
**Compression type units whose condensers are not heat exchangers**

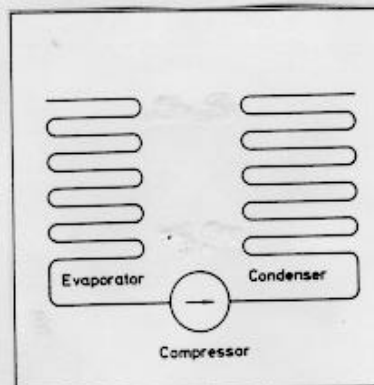


Fig 1.

**Condenseur refroidi par l'air ambiant**  
**Air-cooled condenser**

Upright freezer with  
skin type condenser

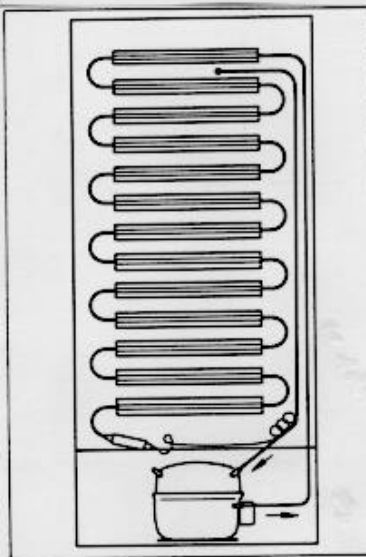


Fig. 2

**Fan-cooled condenser**  
**Condenseur refroidi par ventilateur**

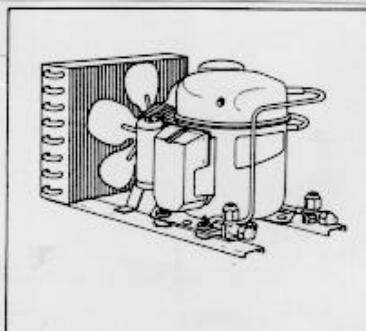


Fig. 3



(CSH/25/mars 2000)  
(HSC/25/March 2000)

**Condenseurs qui ne sont pas constitués par un échangeur de chaleur**  
**Condensers which are not heat exchangers**

