



NORTH

Mile  
115

BERWICK  
BAY

MORGAN CITY

PROJECT  
LOCATION

Berwick

BAY

BAY

PREPARED BY:

**DAVID A. WAITZ**  
ENGINEERING AND SURVEYING, INC.

*Civil Engineers & Professional Land Surveyors*  
Thibodaux, Louisiana

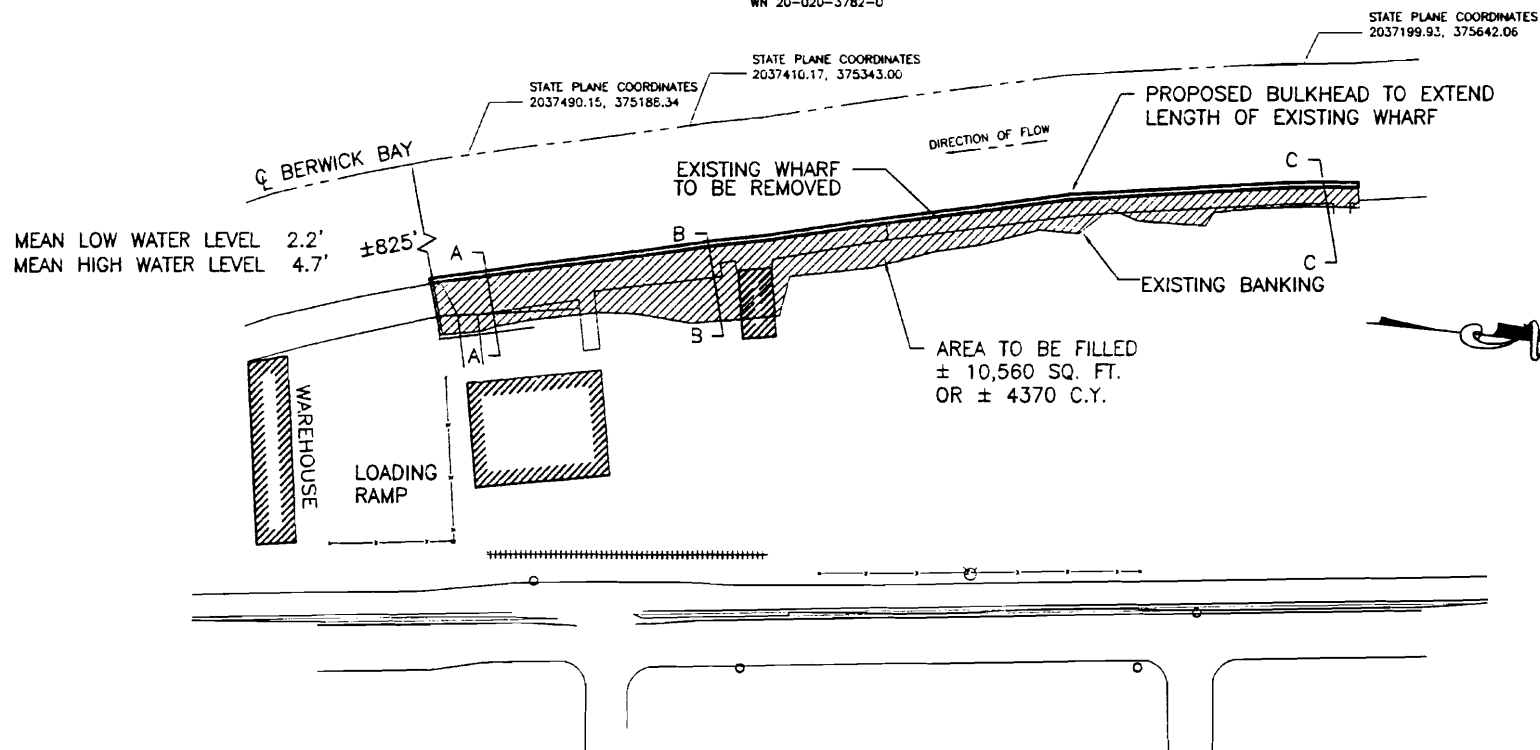
DATE: SEPTEMBER 9, 2002

APPLICATION BY:

**PERMIT PLAT**  
CONSTRUCTION OF BULKHEAD  
FOR HELLENIC, INC. ALONG  
BERWICK BAY  
IN SECTION 6, T16S-R12E  
ST. MARY PARISH, LOUISIANA  
**HELLENIC, INC.**

# CLASS A PERMIT

WN 20-020-3782-0



**PLAN VIEW**

SCALE: 1" = 100'

PREPARED BY:

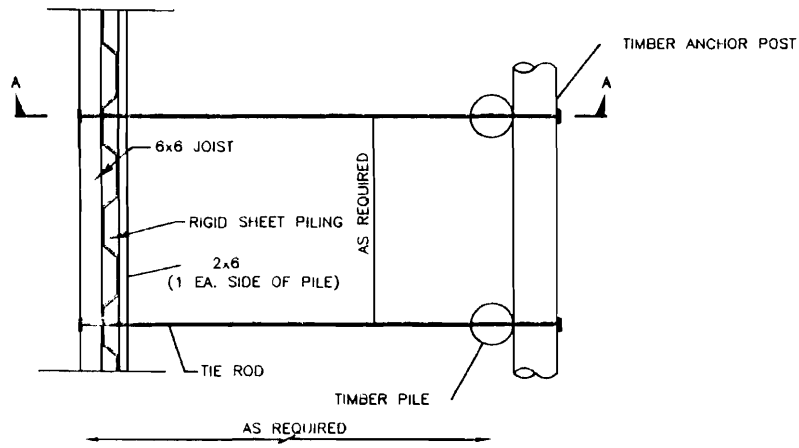
**DAVID A. WAITZ**  
ENGINEERING AND SURVEYING, INC.

*Civil Engineers & Professional Land Surveyors*  
Thibodaux, Louisiana

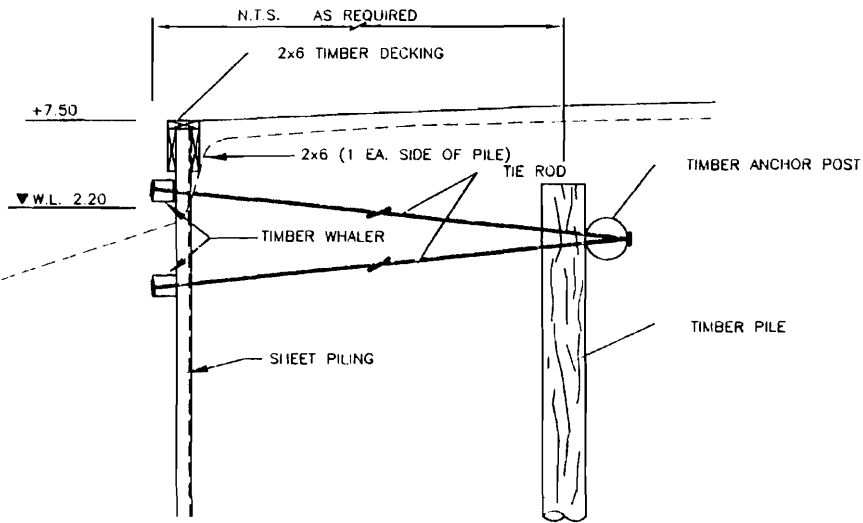
DATE: OCTOBER 29, 2002

**PERMIT PLAT**  
CONSTRUCTION OF BULKHEAD  
FOR HELLENIC, INC. ALONG  
BERWICK BAY  
LOCATED IN SECTION 6, T16S-R12E  
ST. MARY PARISH, LOUISIANA  
HELLENIC, INC.

APPLICATION BY:



BULKHEAD DETAIL  
PLAN VIEW



A-A SHEET PILE BULKHEAD  
SCALE: N.T.S.

PREPARED BY:

**DAVID A. WAITZ**  
ENGINEERING AND SURVEYING, INC.

*Civil Engineers & Professional Land Surveyors*  
Thibodaux, Louisiana

DATE: OCTOBER 29, 2002

**TYPICAL DETAILS**

CONSTRUCTION OF BULKHEAD  
FOR HELLENIC, INC. ALONG  
BERWICK BAY

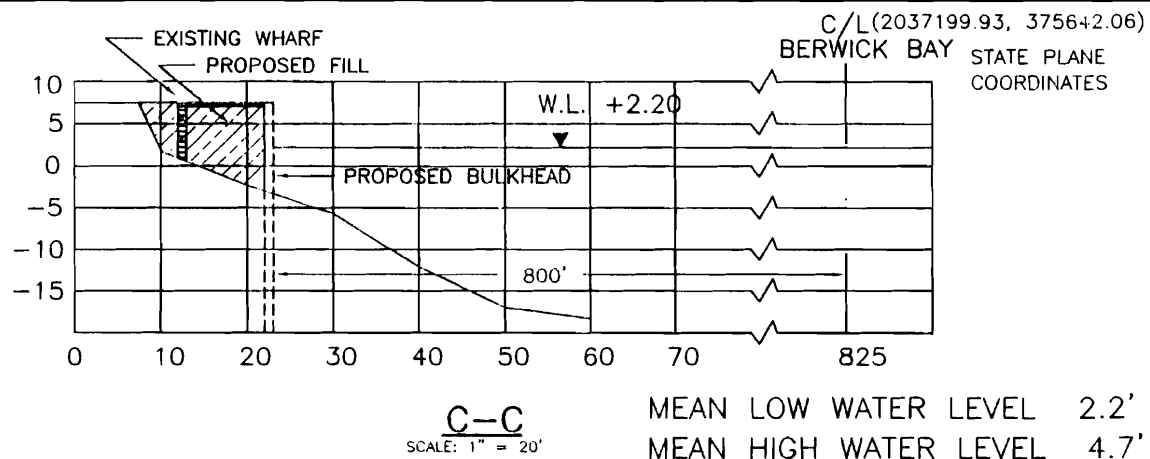
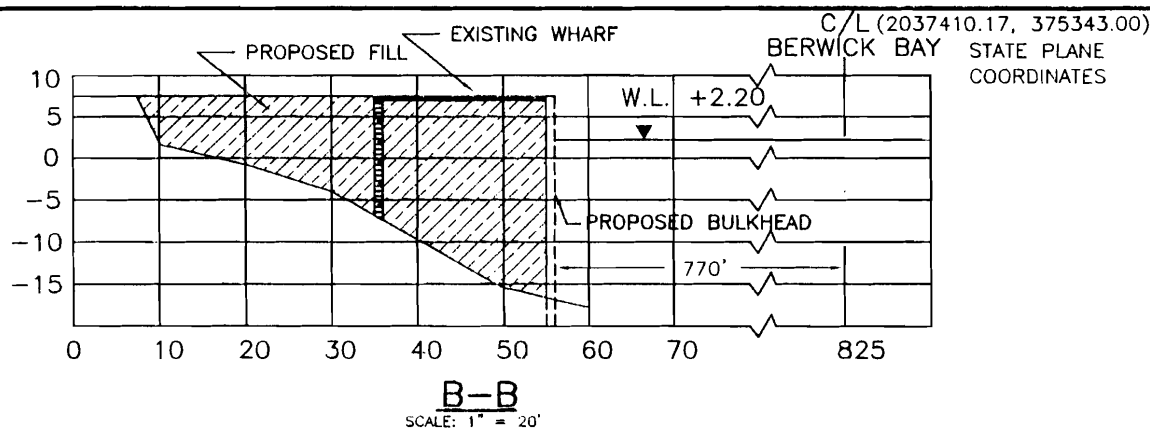
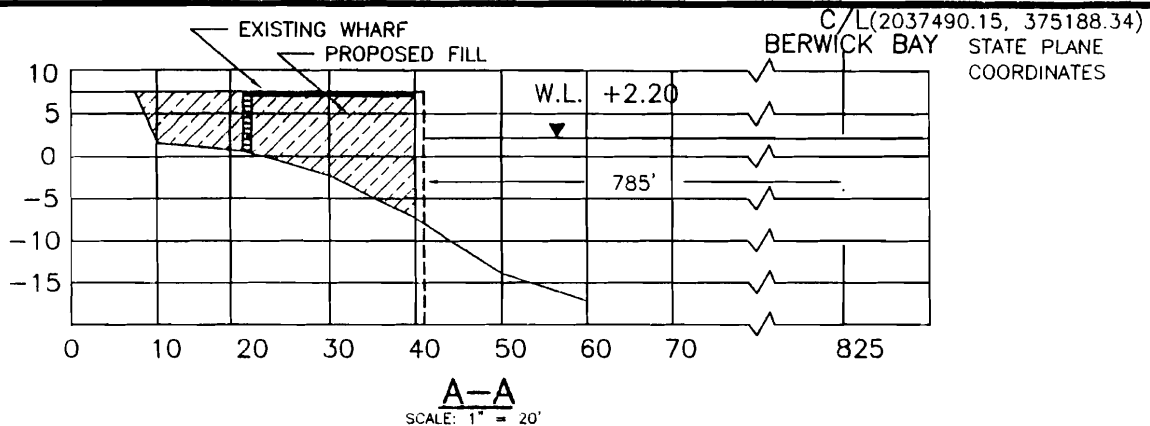
IN SECTION 6, T16S-R12E  
ST. MARY PARISH, LOUISIANA

APPLICATION BY:

**HELLENIC, INC.**

**CLASS A PERMIT**

WN 20-020-3782-0



PREPARED BY:

**DAVID A. WAITZ**  
ENGINEERING AND SURVEYING, INC.

*Civil Engineers & Professional Land Surveyors*  
Thibodaux, Louisiana

DATE: OCTOBER 29, 2002

**PERMIT PLAT**  
CONSTRUCTION OF BULKHEAD  
FOR HELLENIC, INC. ALONG  
BERWICK BAY  
IN SECTION 6, T16S-R12E  
ST. MARY PARISH, LOUISIANA  
**HELLENIC, INC.**

APPLICATION BY: