

APPLICATION NO. **200700120**

JOINT PUBLIC NOTICE
CORPS OF ENGINEERS - STATE OF ARKANSAS
(25-Day Comment Period)
(Comment Expiration Date – June 16, 2007)

TO WHOM IT MAY CONCERN: **Comments are invited on the work described below. Please see the Public Involvement section for details on submitting comments.**

Point of Contact. If additional information is desired, please contact the project manager, Kyle Clark, telephone number: (479) 636-1210 ext. 321, mailing address: Corps of Engineers, Attn: Kyle Clark, 2260 North Second Street, Rogers, Arkansas 72756, e-mail address: <mailto:Kyle.R.Clark@usace.army.mil>

Project Information. Pursuant to Section 404 of the Clean Water Act (33 U.S. Code 1344), notice is hereby given that

**Mr. Bill Giese
4210 Taliesin Lane
Fayetteville, Arkansas 72703**

has requested after-the-fact authorization for the placement of dredged and fill material in waters of the United States associated with the construction of a dam. The project is located in an unnamed tributary of Big Sugar Creek, in section 28, T. 21 N., R. 28 W., Garfield, Benton County, Arkansas.

The purpose of the project is to dam an unnamed perennial tributary of Big Sugar Creek to create a 1.5-acre lake. The lake will be used for wildlife habitat improvement, fire protection, erosion control, and recreation. The dam is approximately 20 feet wide by 200 feet long by 15 feet tall, and is constructed of compacted fill dirt. The dam is constructed of approximately 2200 cubic yards of fill material.

Four 4-inch-diameter plastic pvc pipes are currently located through the bottom of the dam, which will allow for any future draining of the lake. A 35-foot-wide concrete spillway will also be built on the dam.

The location and general plan for the proposed work are shown on the enclosed sheets.

CESWL-RO

Water Quality Certification. By copy of this public notice, the applicant is requesting water quality certification from the Arkansas Department of Environmental Quality (ADEQ) in accordance with Section 401(a)(1) of the Clean Water Act. Upon completion of the comment period and a public hearing, if held, a determination relative to water quality certification will be made. Evidence of this water quality certification or waiver of the right to certify must be submitted prior to the issuance of a Corps of Engineers permit.

Cultural Resources. The National Register of Historic Places has been consulted; and it has been determined that there are no properties currently listed in the Register, or eligible for inclusion therein, which would be affected by the proposed work. A Corps staff archeologist also will review topographic maps and data on reported sites in the area. If it is determined that further review is not warranted, these reviews will constitute the full extent of cultural resources investigation by this office unless we are made aware, as a result of comments received in response to this notice or by other means, of the existence of specific structures or sites which might be affected by the proposed work.

Endangered Species. Our preliminary determination is that the proposed activity will not affect listed Endangered Species or their critical habitat. A copy of this notice is being furnished to the U.S. Fish and Wildlife Service and appropriate state agencies and constitutes a request to those agencies for information on whether any listed or proposed-to-be-listed endangered or threatened species may be present in the area which would be affected by the proposed activity.

Flood Plain. We are providing copies of this notice to appropriate flood plain officials in accordance with 44 CFR Part 60 (Flood Plain Management Regulations Criteria for Land Management and Use) and Executive Order 11988 on Flood Plain Management.

Section 404(b)(1) Guidelines. The evaluation of activities to be authorized under this permit which involves the discharge of dredged or fill material will include application of guidelines promulgated by the Administrator, Environmental Protection Agency, under authority of Section 404(b) of the Clean Water Act. These guidelines are contained in 40 Code of Federal Regulations (CFR) 230.

Public Involvement. Any interested party is invited to submit to the above-listed POC written comments or objections relative to the proposed work on or before **June 16, 2007**. Substantive comments, both favorable and unfavorable, will be accepted and made a part of the record and will receive full consideration in determining whether this work would be in the public interest. The decision whether to issue a permit will be based on an evaluation of the probable impact including cumulative impacts of the proposed activity on the public interest. That decision will reflect the national concern for both protection and utilization of important resources. The benefit which reasonably may be expected to accrue from the proposal must be balanced against

CESWL-RO

its reasonably foreseeable detriments. All factors which may be relevant to the proposal will be considered including the cumulative effects thereof; among those are conservation, economics, aesthetics, general environmental concerns, wetlands, historic properties, fish and wildlife values, flood hazards, flood plain values, land use, navigation, shoreline erosion and accretion, recreation, water supply and conservation, water quality, energy needs, safety, food and fiber production, mineral needs, considerations of property ownership and, in general, the needs and welfare of the people.

The Corps of Engineers is soliciting comments from the public; Federal, state, and local agencies and officials; Indian Tribes; and other interested parties in order to consider and evaluate the impacts of this proposed activity. Any comments received will be considered by the Corps of Engineers to determine whether to issue, modify, condition or deny a permit for this proposal. To make this decision, comments are used to assess impacts on endangered species, historic properties, water quality, general environmental effects, and the other public interest factors listed above. Comments are used in the preparation of an Environmental Assessment and/or an Environmental Impact Statement pursuant to the National Environmental Policy Act. Comments are also used to determine the need for a public hearing and to determine the overall public interest of the proposed activity.

Any person may request in writing within the comment period specified in this notice that a public hearing be held to consider this application. Requests for public hearings shall state, with particularity, the reasons for holding a public hearing. The District Engineer will determine if the issues raised are substantial and whether a hearing is needed for making a decision.

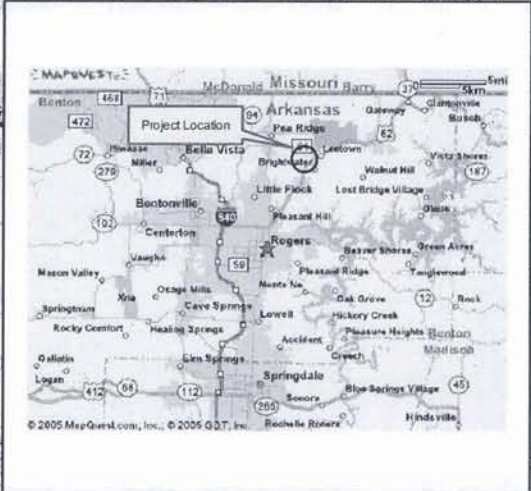
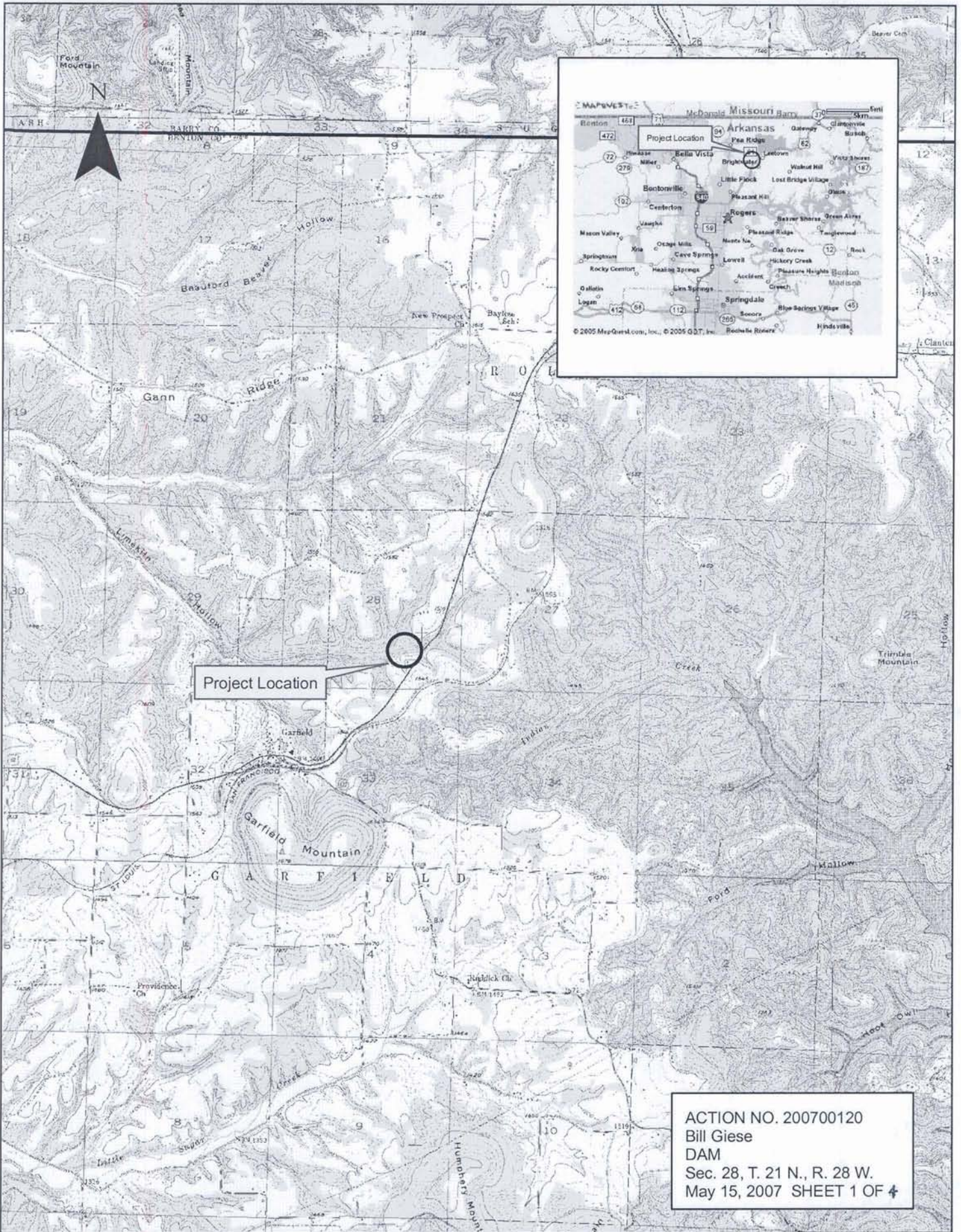
NOTE: The mailing list for this Public Notice is arranged by state and county(s) where the project is located, and also includes any addressees who have asked to receive copies of all public notices. Please discard notices that are not of interest to you. If you have no need for any of these notices, please advise us so that your name can be removed from the mailing list.

Enclosures

Approximate Coordinates of Project Center

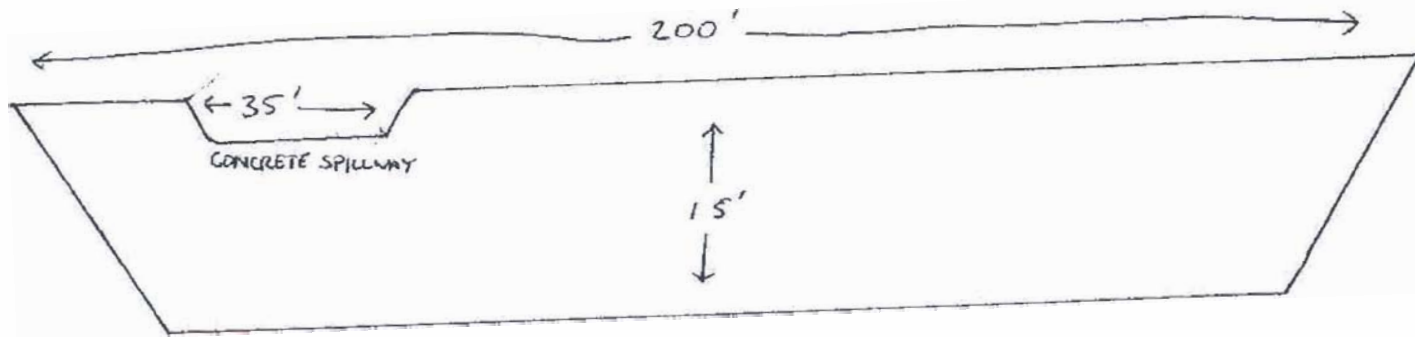
Latitude: 36.4569 Longitude: -93.9599

UTM Zone: **15** North: **4035062** East: **413980**

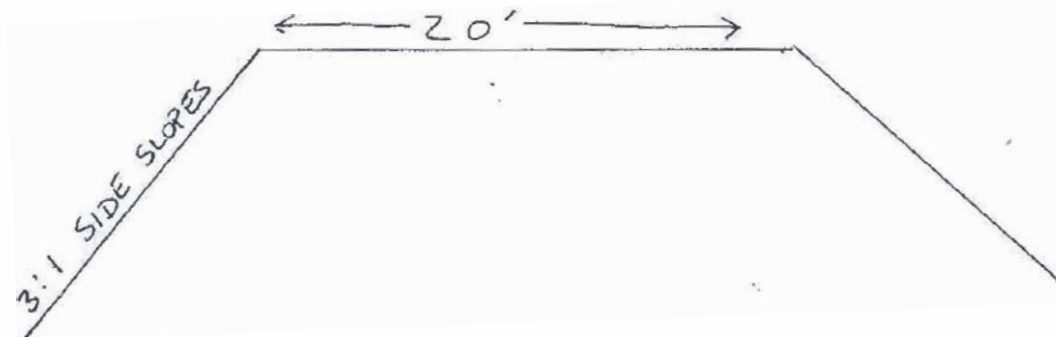


Project Location

ACTION NO. 200700120
Bill Giese
DAM
Sec. 28, T. 21 N., R. 28 W.
May 15, 2007 SHEET 1 OF 4



CROSS SECTIONS



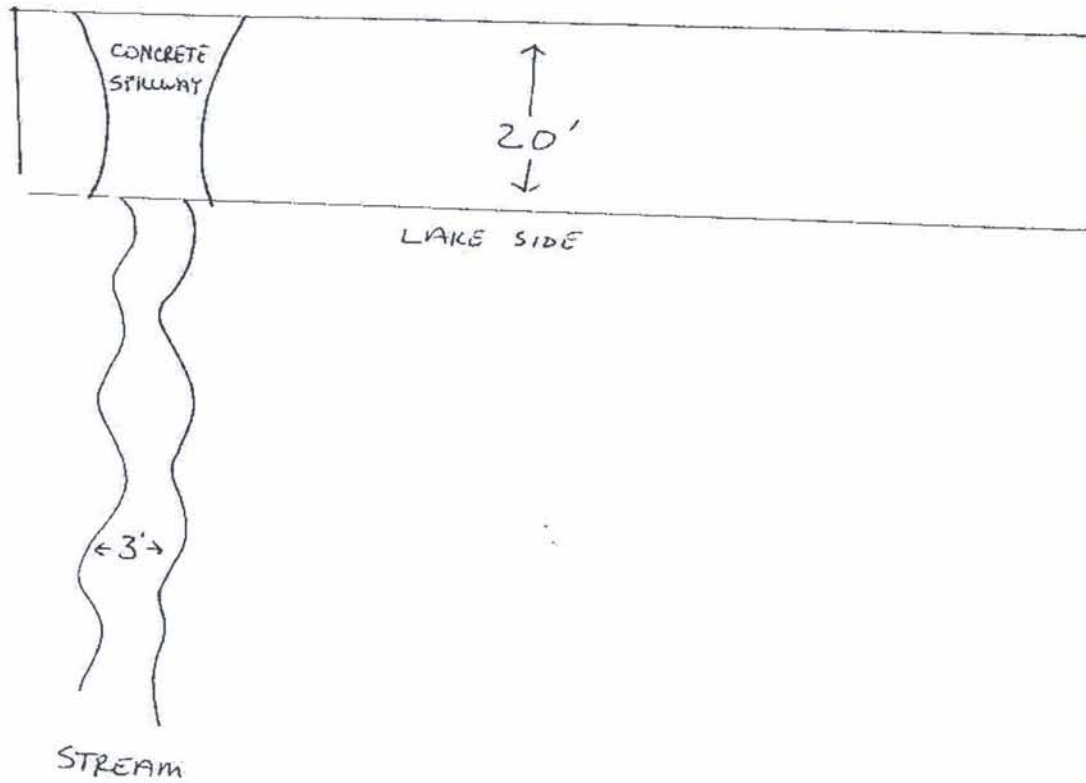
ACTION NO. 200700120

Bill Giese

DAM

Sec 28, T. 21N., R. 28 W.

May 15, 2007 SHEET 2 OF 4

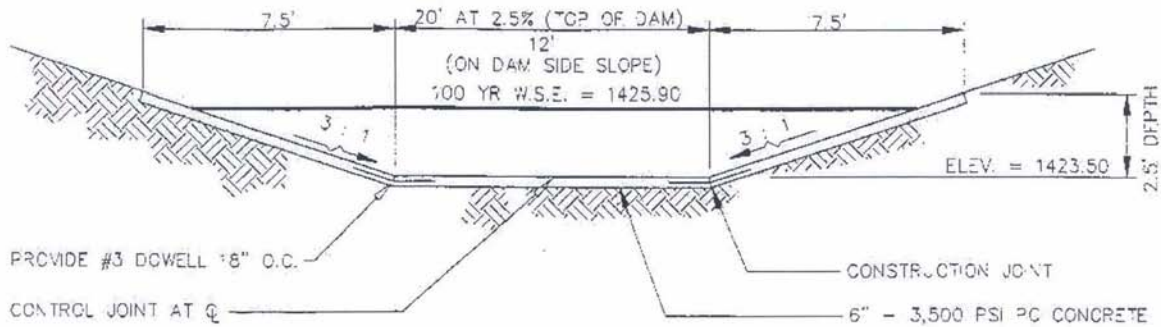


ACTION NO. 200700120

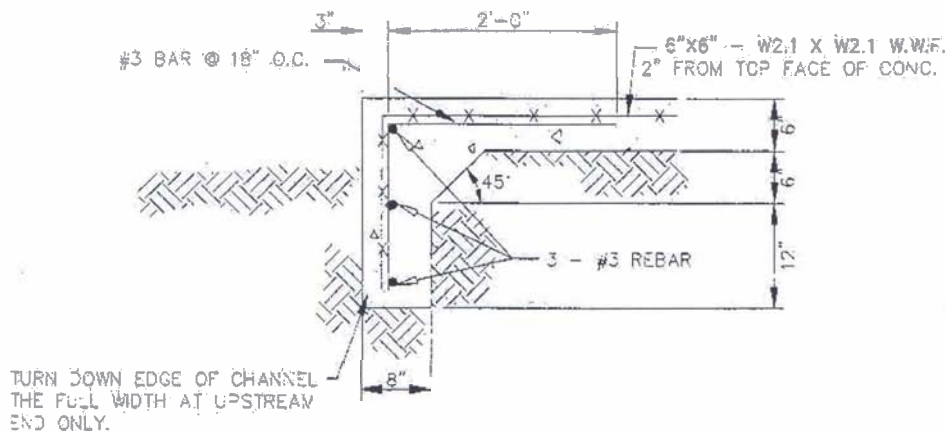
Bill Giese

DAM

Sec 28, T. 21N., R. 28 W.
May 15, 2007 SHEET 3 OF 4



X-SECTION
N.T.S.



END-SECTION
N.T.S.

GENERAL NOTES:

1. SCARIFY TOP 8" OF SUBGRADE AND COMPACT TO 95% STANDARD PROCTOR MAXIMUM DRY DENSITY AT $\pm 2\%$ OF OPTIMUM MOISTURE CONTENT.
2. CONCRETE SHALL HAVE A MINIMUM 28-DAY COMPRESSIVE STRENGTH OF 3,500 PSI WITH A FOUR INCH MAXIMUM SLUMP. CONCRETE SHALL COMPLY WITH TYPE I PORTLAND CEMENT COMPLIANCE WITH AC COMMITTEE 318-89 REQUIREMENTS.
3. REINFORCING STEEL SHALL BE GRADE 60 DEFORMED TYPE AND SHALL COMPLY WITH ASTM A 615 "STANDARD SPECIFICATIONS FOR DEFORMED AND PLAIN BOLT-STEEL BARS FOR CONCRETE REINFORCING," LATEST EDITION.
4. CONTROL JOINTS TO BE 18' O.C. ALL JOINTS WITH SEALANT.
5. PROVIDE 6"x6" - W2.1 X W2.1 WELDED WIRE FABRIC AS SHOWN.

CONCRETE
OVERFLOW STRUCTURE

N.T.S.

ACTION NO. 200700120
Bill Giese
DAM
Sec 28, T. 21N., R. 28 W.
May 15, 2007 SHEET 4 OF 4