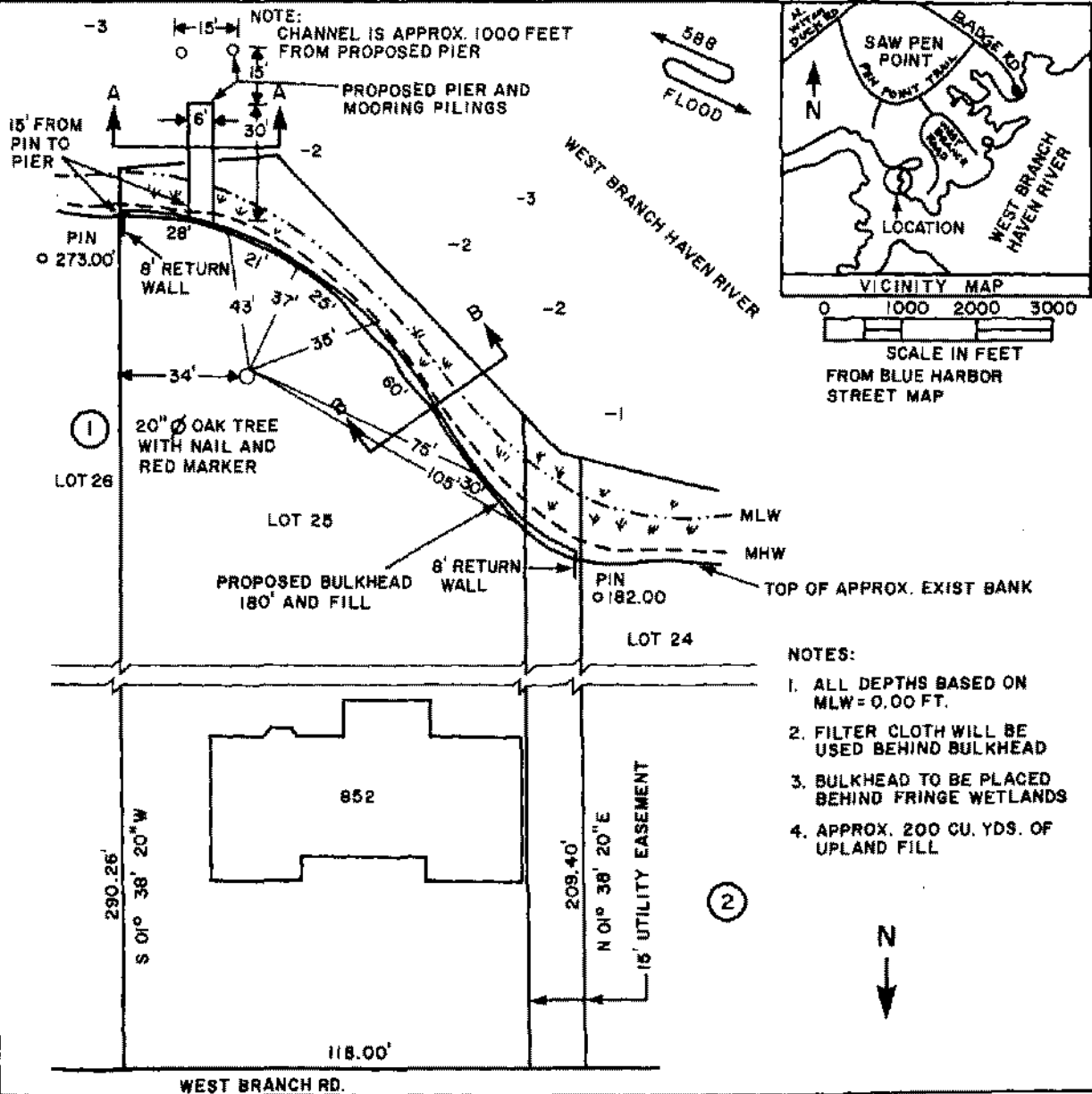


# SAMPLE DRAWINGS FOR A PERMIT APPLICATION

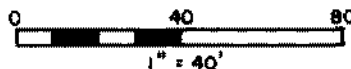
NOTE: THE DRAWINGS SUBMITTED NEED NOT BE PREPARED BY A PROFESSIONAL DRAFTSMAN AS IN THESE SAMPLES.



**PURPOSE:** PREVENT EROSION AND PROVIDE BOATING ACCESS

**DATUM:** MLW  
**ADJACENT PROPERTY OWNERS:**  
 1. MARY L. CLARK  
 2. HARRY N. HAMPTON  
 3.

## PLAN VIEW

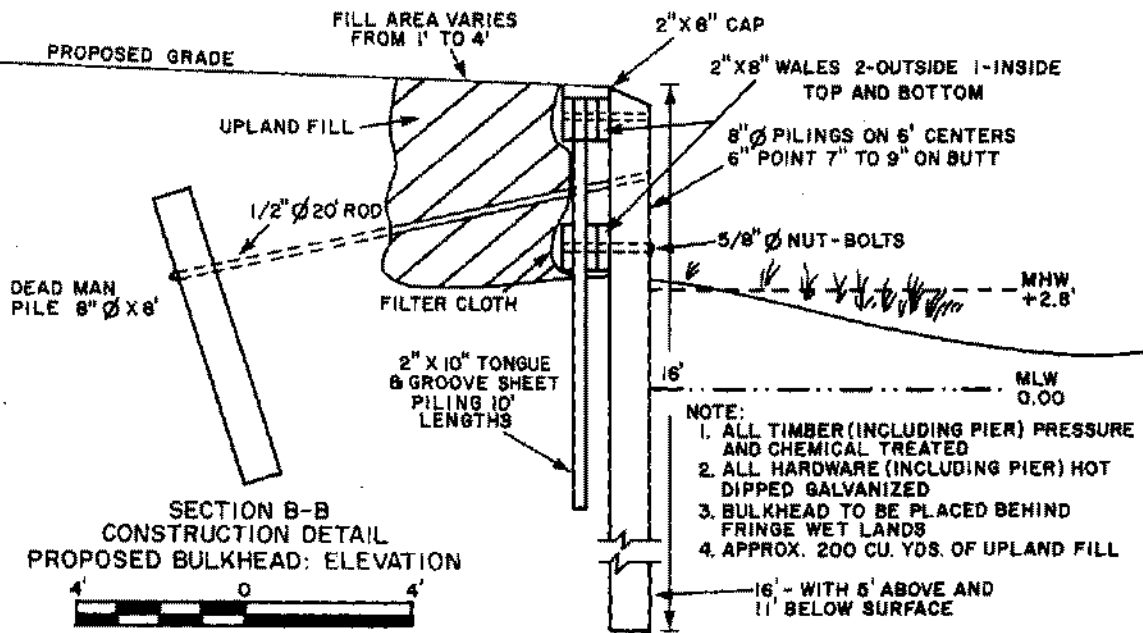
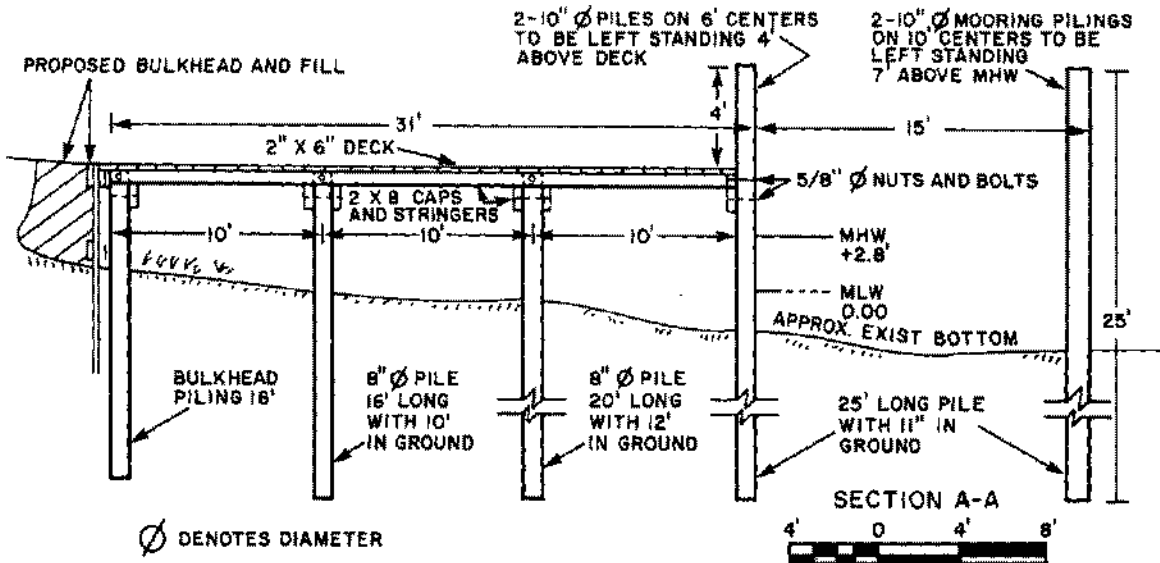


FRED R. HARRIS  
 852 WEST BRANCH ROAD  
 BLUE HARBOR, MD 21703

## PROPOSED BULKHEAD PIER AND FILL

**IN:** WEST BRANCH HAVEN RIVER  
**AT:** BLUE HARBOR  
**COUNTY OF:** KING EDWARD **STATE:** MD  
**APPLICATION BY:** FRED R. HARRIS

**SHEET 1 OF 2 DATE 10-16-82**



PURPOSE: PREVENT EROSION AND PROVIDE BOATING ACCESS

DATUM: MLW

ADJACENT PROPERTY OWNERS:

1. MARY L. CLARK
2. HARRY N. HAMPTON
- 3.

### SECTION VIEWS

FRED R. HARRIS  
852 WEST BRANCH ROAD  
BLUE HARBOR, MD 21703

PROPOSED BULKHEAD PIER AND FILL

IN: WEST BRANCH HAVEN RIVER  
AT: BLUE HARBOR  
COUNTY OF: KING EDWARD STATE: MD  
APPLICATION BY: FRED R. HARRIS  
SHEET 2 OF 2 DATE 10-16-82