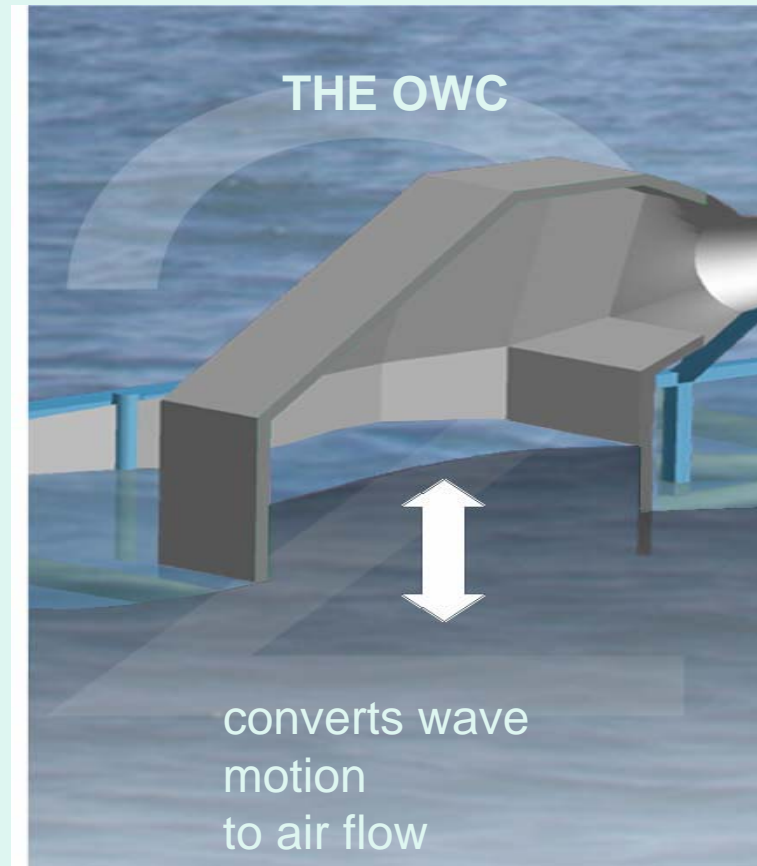


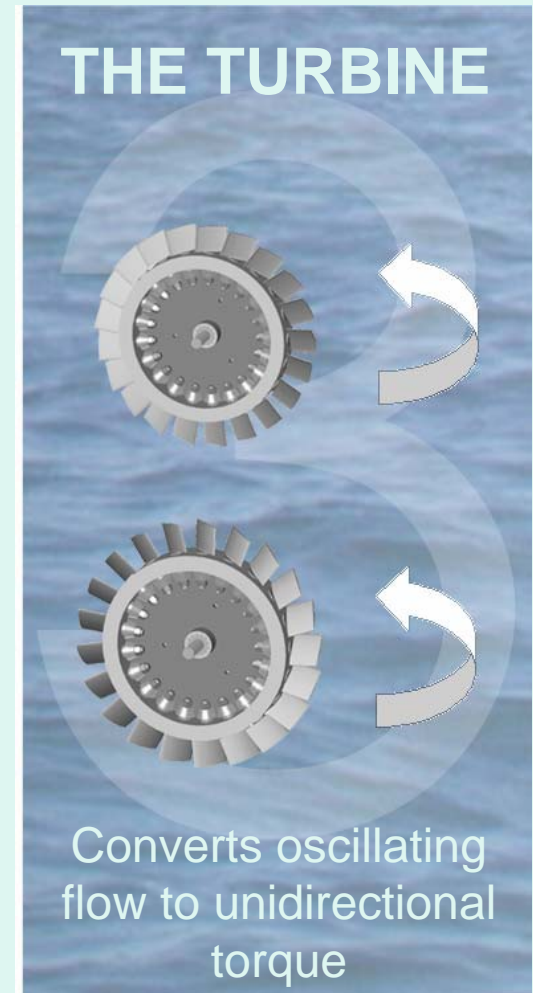
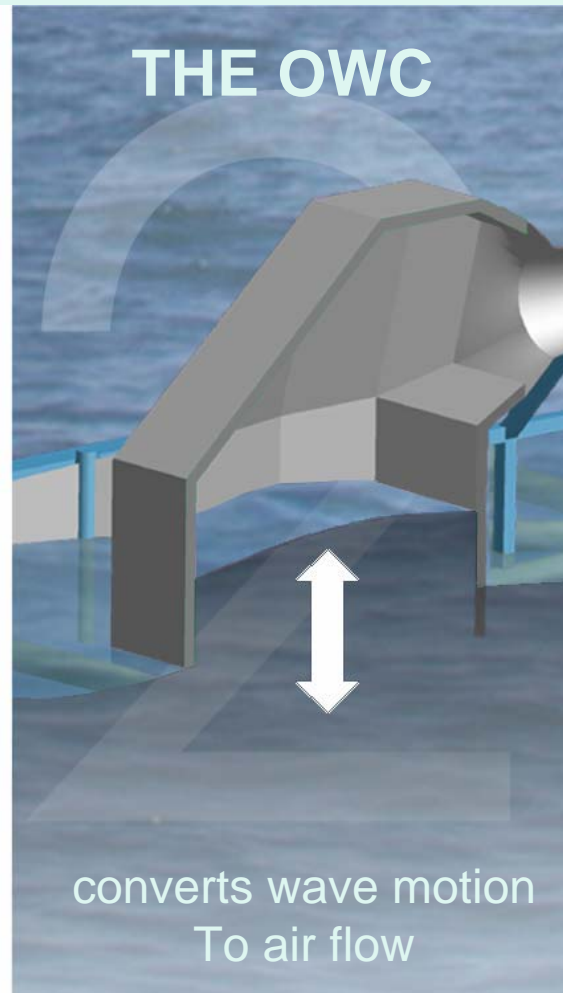
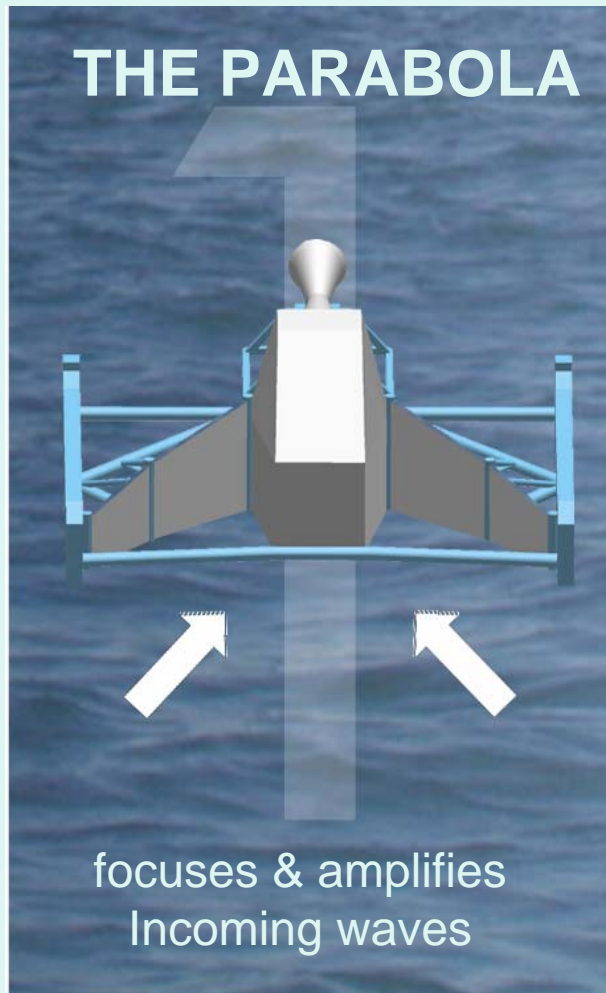
Oscillating Water Columns

Hydrokinetic & Wave Energy Technologies
Technical & Environmental Issues Workshop
October 26-28, 2005
Cynthia Rudge – Business Development
Energetech Australia

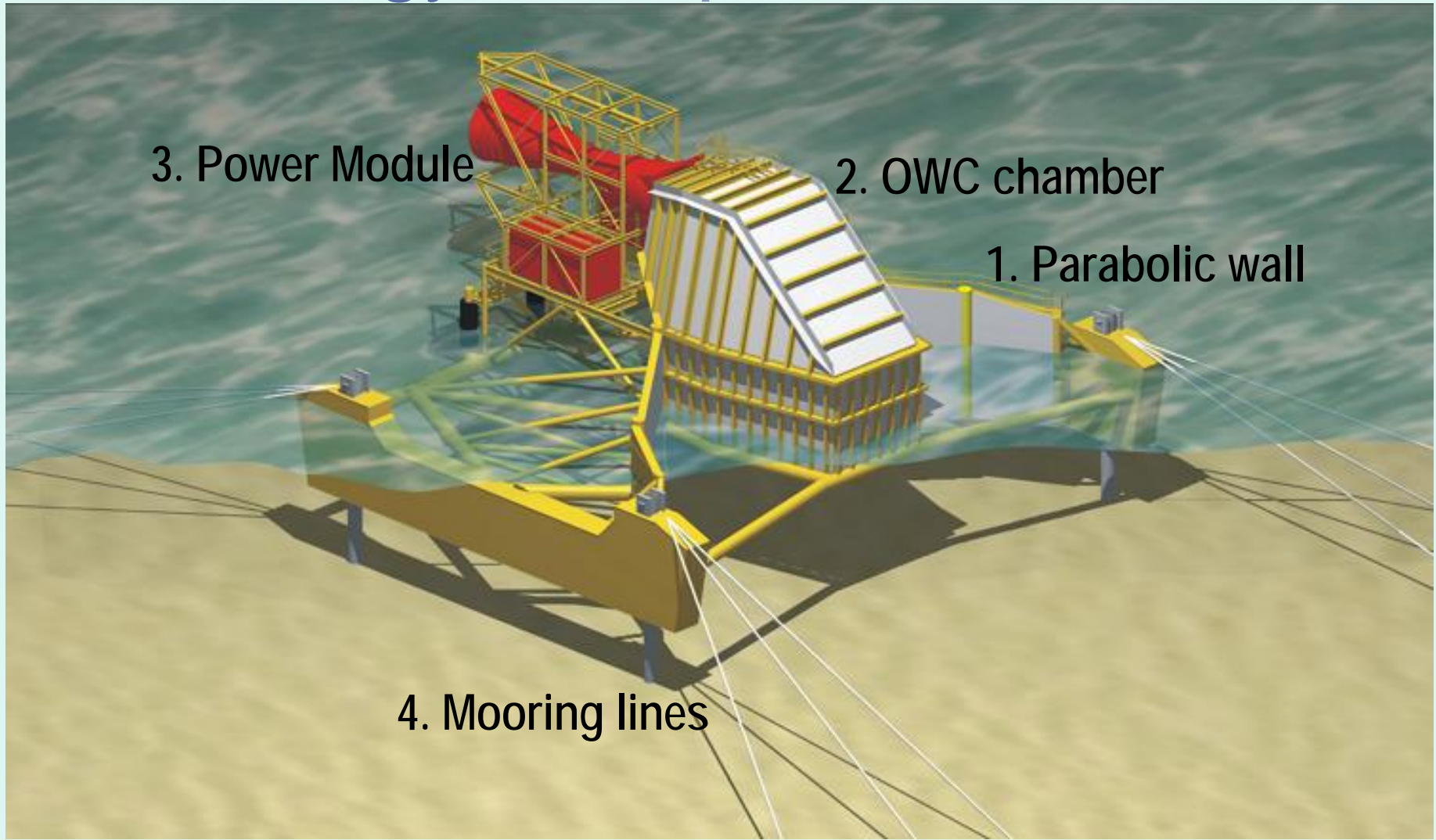
How an OWC works



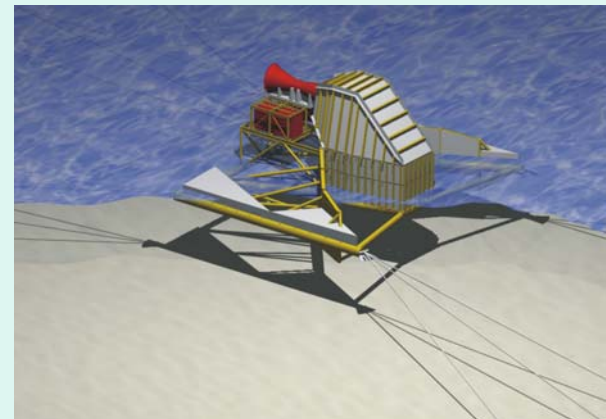
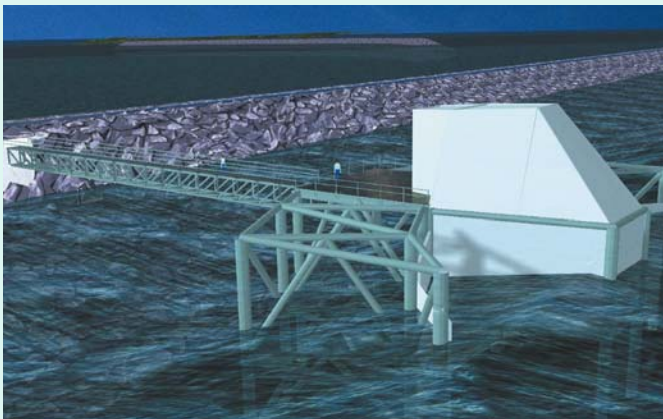
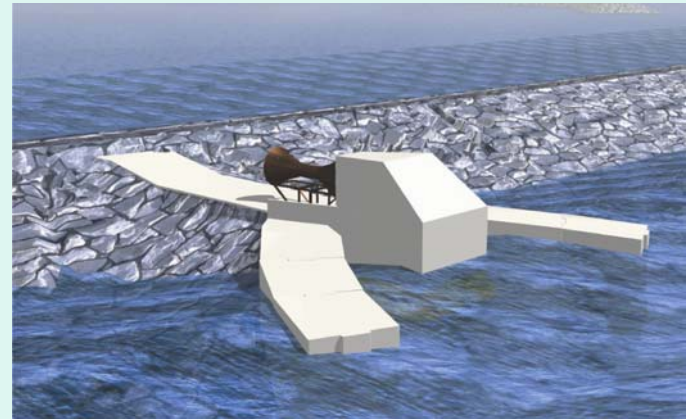
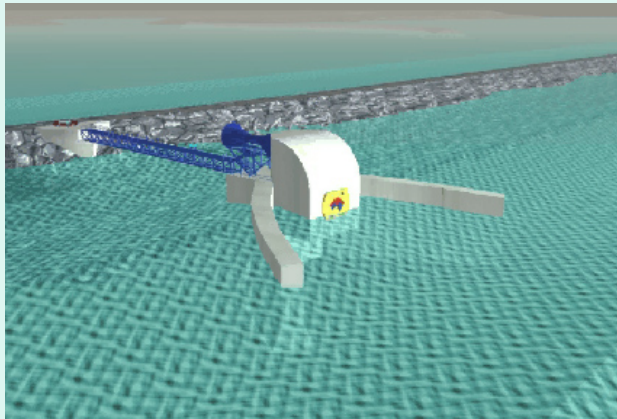
Principle of Power Conversion



Technology Principles



Various Forms of OWC



Wavegen: UK Cliff Face OWC

- 500 kW
- Installed 2000
- Islay, Scotland
- Concrete structure
- Wells turbine
- Working reliably



Energetech: Near Shore OWC



((energetech))

innovative

energy

Energetech Australia Pty. Ltd.
www.energetech.com.au

Green Wave Rhode Island

- will utilize the Energetech OWC system and turbine
- located in Rhode Island near Narragansett
- currently in planning and design phase
- University of Rhode Island conducting additional research
- a rigorous multi-agency permitting process underway
- environmental field work in progress
- maximum power is expected to be 500kW, with an annual average of 150kW or 1.3 million kW Hours per year

→ Expected Project Commissioning in early 2007