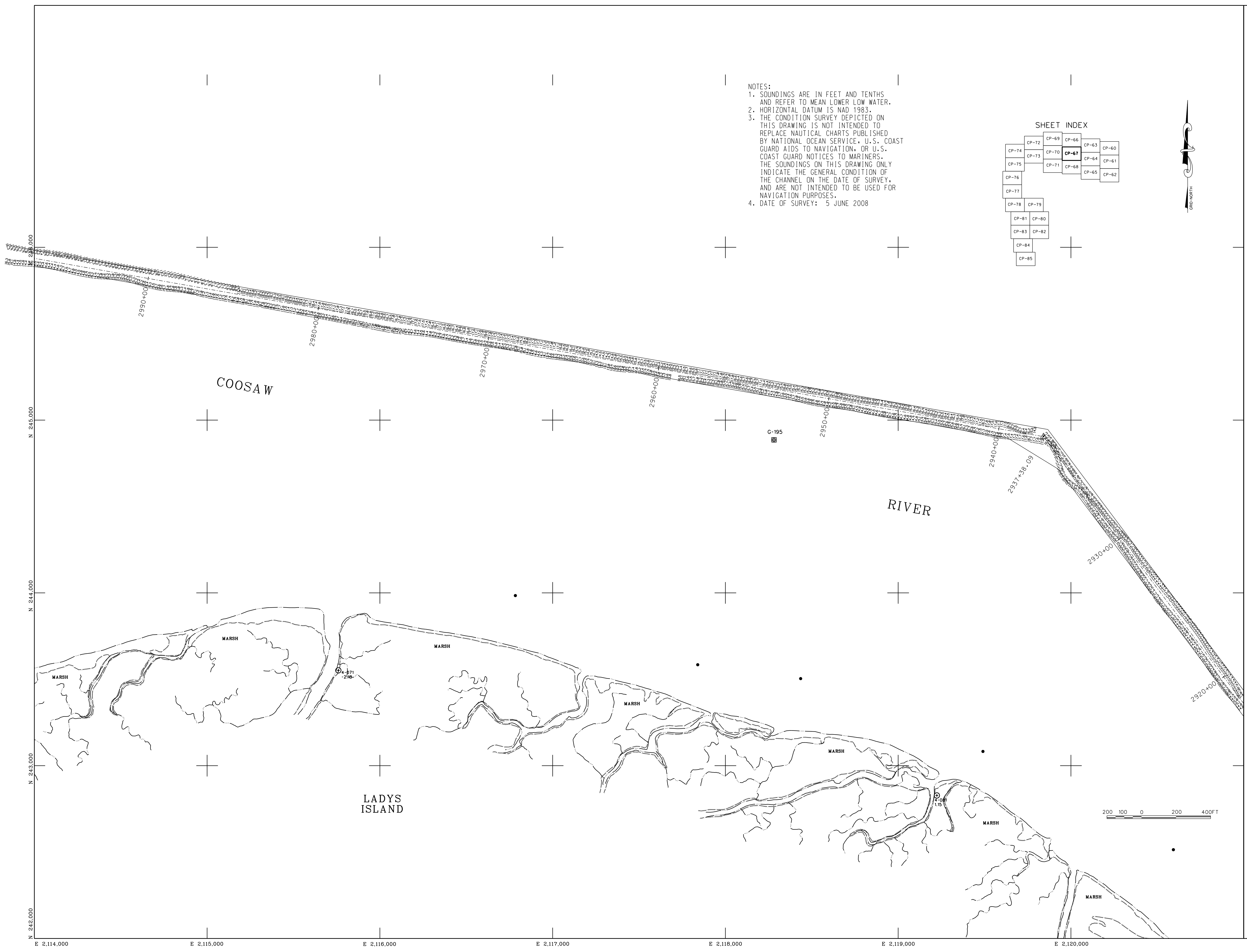
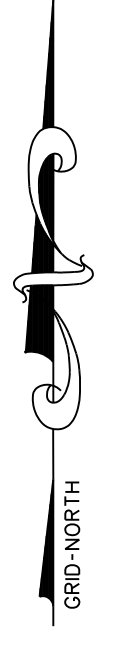
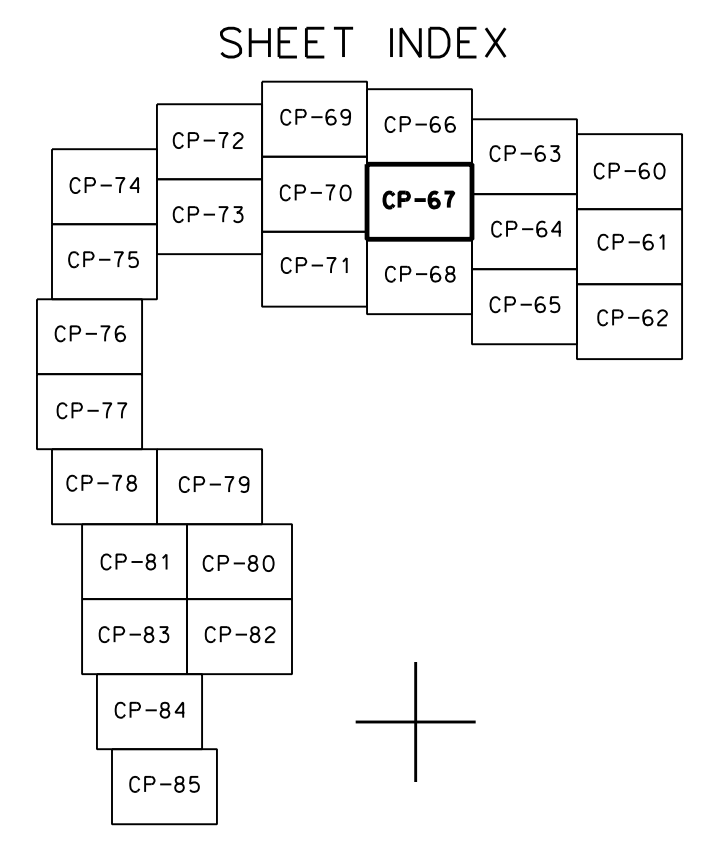


NOTES:
 1. SOUNDINGS ARE IN FEET AND TENTHS AND REFER TO MEAN LOWER LOW WATER.
 2. HORIZONTAL DATUM IS NAD 1983.
 3. THE CONDITION SURVEY DEPICTED ON THIS DRAWING IS NOT INTENDED TO REPLACE NAUTICAL CHARTS PUBLISHED BY NATIONAL OCEAN SERVICE, U.S. COAST GUARD AIDS TO NAVIGATION, OR U.S. COAST GUARD NOTICES TO MARINERS. THE SOUNDINGS ON THIS DRAWING ONLY INDICATE THE GENERAL CONDITION OF THE CHANNEL ON THE DATE OF SURVEY, AND ARE NOT INTENDED TO BE USED FOR NAVIGATION PURPOSES.
 4. DATE OF SURVEY: 5 JUNE 2008



No.	DATE	DESCRIPTION
No. 1	APR 11	APPROX
No. 2	APR 11	APPROX
No. 3	APR 11	APPROX
No. 4	APR 11	APPROX
No. 5	APR 11	APPROX
No. 6	APR 11	APPROX
No. 7	APR 11	APPROX
No. 8	APR 11	APPROX
No. 9	APR 11	APPROX
No. 10	APR 11	APPROX
No. 11	APR 11	APPROX
No. 12	APR 11	APPROX
No. 13	APR 11	APPROX
No. 14	APR 11	APPROX
No. 15	APR 11	APPROX
No. 16	APR 11	APPROX
No. 17	APR 11	APPROX
No. 18	APR 11	APPROX
No. 19	APR 11	APPROX
No. 20	APR 11	APPROX

Designed by:	DATE:	NO.:
Drawn by:	JUNE 08	
Checked by:		
Reviewed by:		
Submitted by:		
U.S. ARMY ENGINEER DISTRICT CORPS OF ENGINEERS CHARLESTON, SOUTH CAROLINA		

ATLANTIC INTRACOASTAL WATERWAY
 CHARLESTON TO FORT ROYAL
 9200
 STA. 2916+07 TO STA. 2996+69
 CHARLESTON, COLLETON AND BEAUFORT COUNTIES
 SOUTH CAROLINA

SHEET
 REFERENCE
 NUMBER
 SHEET 57 OF 68

