

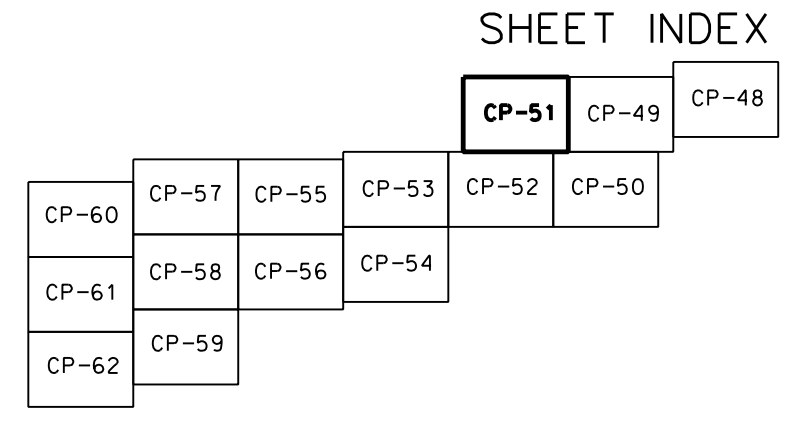
No.	DATE	DESCRIPTION	DATE	APPROV.	DESCRIPTION
No. 1	DATE	DESCRIPTION	DATE	APPROV.	DESCRIPTION
No. 2	DATE	DESCRIPTION	DATE	APPROV.	DESCRIPTION
No. 3	DATE	DESCRIPTION	DATE	APPROV.	DESCRIPTION
No. 4	DATE	DESCRIPTION	DATE	APPROV.	DESCRIPTION
No. 5	DATE	DESCRIPTION	DATE	APPROV.	DESCRIPTION
No. 6	DATE	DESCRIPTION	DATE	APPROV.	DESCRIPTION
No. 7	DATE	DESCRIPTION	DATE	APPROV.	DESCRIPTION
No. 8	DATE	DESCRIPTION	DATE	APPROV.	DESCRIPTION

Designed by:	DATE:	DESIGN IN INCHES:
Drawn by:	DATE:	DESIGN CODE:
Reviewed by:	DATE:	FILE NAME:
Summer by:	DATE:	DRG SCALE: 1" = 200'

U.S. ARMY ENGINEERS DISTRICT OF ENGINEERS
CHARLESTON, SOUTH CAROLINA

ATLANTIC INTRACOASTAL WATERWAY
CHARLESTON TO PORT ROYAL
9200
STA. 2475+08 TO STA. 2506+63
CHARLESTON, COLLETON, AND BEAUFORT COUNTIES
SOUTH CAROLINA

SHEET REFERENCE NUMBER
SHEET 49 OF 68



PT. NO.	STATION W/OFFSET	COORDINATES			
		NAD 27		NAD 83	
		EAST (X)	NORTHING (Y)	EAST (X)	NORTHING (Y)
	2494+30.43 577.14L	2,159,672.62	251,166.68	2,159,726.59	251,274.32
	2499+02 371R	2,159,273.08	252,066.41	2,159,326.96	252,174.03

- NOTES:
- SOUNDINGS ARE IN FEET AND TENTHS AND REFER TO MEAN LOWER LOW WATER.
 - HORIZONTAL DATUM IS NAD 1983.
 - THE CONDITION SURVEY DEPICTED ON THIS DRAWING IS NOT INTENDED TO REPLACE NAUTICAL CHARTS PUBLISHED BY NATIONAL OCEAN SERVICE, U.S. COAST GUARD AIDS TO NAVIGATION, OR U.S. COAST GUARD NOTICES TO MARINERS. THE SOUNDINGS ON THIS DRAWING ONLY INDICATE THE GENERAL CONDITION OF THE CHANNEL ON THE DATE OF SURVEY, AND ARE NOT INTENDED TO BE USED FOR NAVIGATION PURPOSES.
 - DATE OF SURVEY: 10 JAN. 2008 CONDITION

