

JOINT  
PUBLIC NOTICE

CHARLESTON DISTRICT, CORPS OF ENGINEERS  
1949 Industrial Park Road, Room 140  
Conway, South Carolina 29403-5107  
and the  
S.C. DEPARTMENT OF HEALTH AND ENVIRONMENTAL CONTROL  
OFFICE OF OCEAN AND COASTAL RESOURCE MANAGEMENT  
1362 McMillan Avenue, Suite 400  
Charleston, South Carolina 29405

REGULATORY DIVISION  
Refer to: P/N # 2007-02432-3IH

21 November 2007

Pursuant to Section 10 of the Rivers and Harbors Act of 1899 (33 U.S.C. 403), Sections 401 and 404 of the Clean Water Act (33 U.S.C. 1344), and the South Carolina Coastal Zone Management Act (48-39-10 et.seq.) an application has been submitted to the Department of the Army and the S.C. Department of Health and Environmental Control by

**CEDAR CREEK VILLAGE HOA**  
c/o H. WAYNE BEAM  
P.O. BOX 11863  
COLUMBIA, SOUTH CAROLINA 29211-1863

for after the fact authorization for an existing community boat ramp and a permit to extend the existing community boat ramp in the

**ATLANTIC INTRACOASTAL WATERWAY**

at a location described as the terminus of Pier Point Drive, just south of the intersection of Pier Point Road and River Road, Little River Township, Horry County, South Carolina (Latitude 33.85808°N, Longitude -78.64387°W).

In order to give all interested parties an opportunity to express their views

**NOTICE**

is hereby given that written statements regarding the proposed work will be received by both of the above mentioned offices until

**12 O'CLOCK NOON, WEDNESDAY, 26 DECEMBER 2007**

from those interested in the activity and whose interests may be affected by the proposed work.

The homeowner's association of Cedar Creek Village is seeking authorization for an existing community boat ramp and proposing to extend the existing boat ramp. In detail, the work consists of extending the existing 15.5' x 38' boat ramp 50' and adding a 6" x 27' curb. The total project will consist of placing 0.031 acres of fill in waters of the U.S. It is understood that this work is to be conducted on/or adjacent to an area subject to a prism and/or disposal area held by the United States. Appropriate provisions have been included in the permit to ensure the interests of the Federal Government are understood. The purpose of this project is to provide community boating access to the AIWW for the residents of Cedar Creek Village.

**NOTE: Plans depicting the work described in this notice are available and will be provided, upon receipt of a written request, to anyone that is interested in obtaining a copy of the plans for the specific project. The request must identify the project of interest by public notice number and a self-addressed stamped envelope must also be provided for mailing the drawings to you. Your request for drawings should be addressed to the**

**U.S. Army Corps of Engineers  
ATTN: REGULATORY DIVISION  
1949 INDUSTRIAL PARK ROAD, ROOM 140  
CONWAY, SOUTH CAROLINA 29526**

The District Engineer has concluded that the discharges associated with this project, both direct and indirect, should be reviewed by the South Carolina Department of Health and Environmental Control in accordance with provisions of Section 401 of the Clean Water Act. As such, this notice constitutes a request, on behalf of the applicant, for certification that this project will comply with applicable effluent limitations and water quality standards. The work shown on this application must also be certified as consistent with applicable provisions the Coastal Zone Management Program (15 CFR 930). The District Engineer will not process this application to a conclusion until such certifications are received. The applicant is hereby advised that supplemental information may be required by the State to facilitate the review.

This notice initiates the Essential Fish Habitat (EFH) consultation requirements of the Magnuson-Stevens Fishery Conservation and Management Act. Implementation of the proposed project would impact (0.031) acres of estuarine substrates and emergent wetlands utilized by various life stages of species comprising the red drum, shrimp, and snapper-grouper management complexes. Our initial determination is that the proposed action would not have a substantial individual or cumulative adverse impact on EFH or fisheries managed by the South Atlantic Fishery Management Council and the National Marine Fisheries Service (NMFS). Our final determination relative to project impacts and the need for mitigation measures is subject to review by and coordination with the NMFS.

The District Engineer has consulted the most recently available information and has determined that the project will have no effect on any Federally endangered, threatened, or proposed species and will not result in the destruction or adverse modification of designated or proposed critical habitat. This public notice serves as a request to the U.S. Fish and Wildlife Service and the National Marine Fisheries Service for any additional information they may have on whether any listed or proposed endangered or threatened species or designated or proposed critical habitat may be present in the area which would be affected by the activity, pursuant to Section 7(c) of the Endangered Species Act of 1973 (as amended).

Pursuant to Section 106 of the National Historic Preservation Act (NHPA), this public notice also constitutes a request to Indian Tribes to notify the District Engineer of any historic properties of religious and cultural significance to them that may be affected by the proposed undertaking.

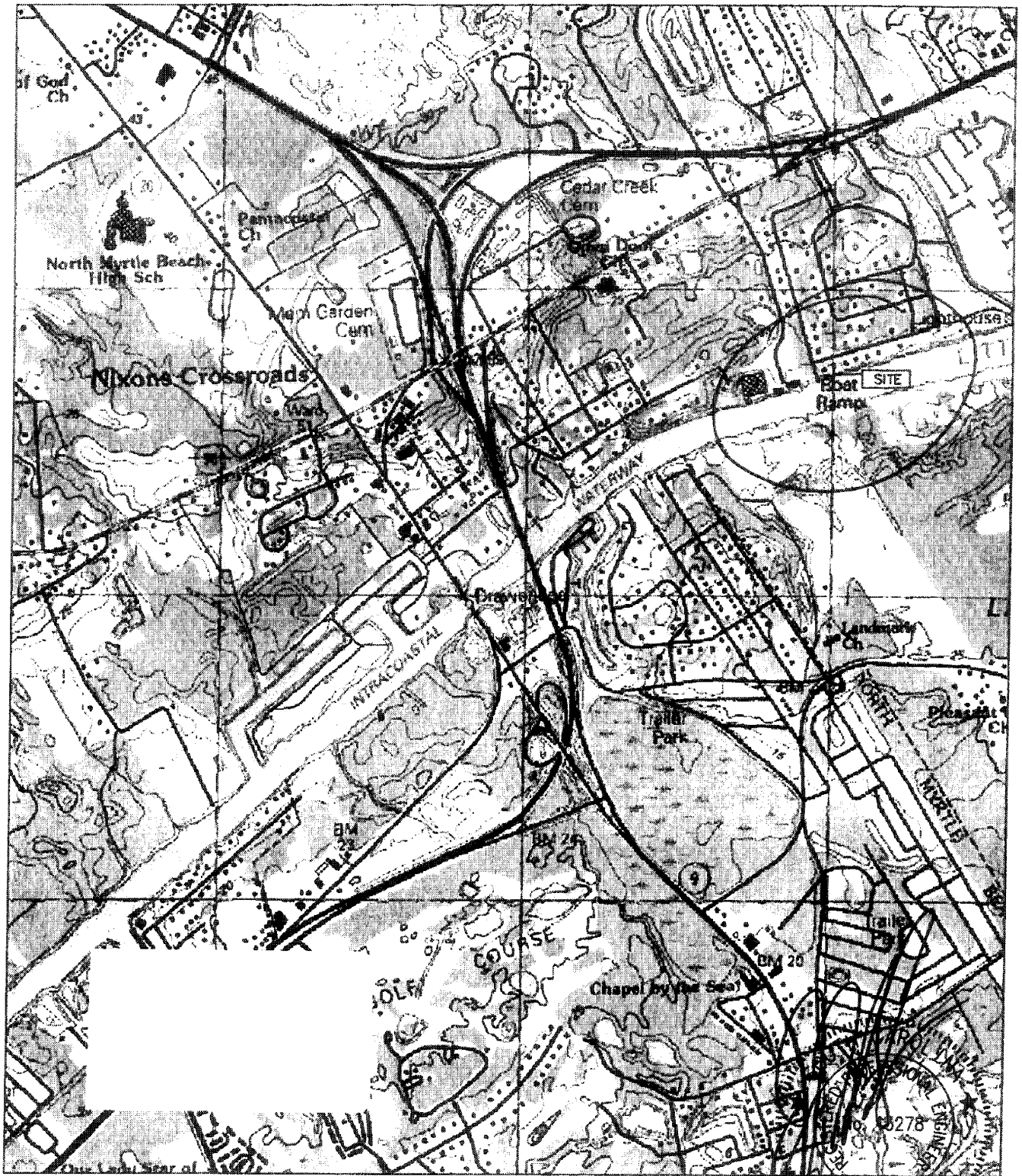
In accordance with the NHPA, the District Engineer has also consulted the latest published version of the National Register of Historic Places for the presence or absence of registered properties, or properties listed as being eligible for inclusion therein, and this worksite is not included as a registered property or property listed as being eligible for inclusion in the Register. To insure that other cultural resources that the District Engineer is not aware of are not overlooked, this public notice also serves as a request to the State Historic Preservation Office to provide any information it may have with regard to historic and cultural resources.

Any person may request, in writing, within the comment period specified in this notice, that a public hearing be held to consider this application. Requests for a public hearing shall state, with particularity, the reasons for holding a public hearing.

The decision whether to issue a permit will be based on an evaluation of the probable impact including cumulative impacts of the activity on the public interest and will include application of the guidelines promulgated by the Administrator, Environmental Protection Agency (EPA), under authority of Section 404(b) of the Clean Water Act and, as appropriate, the criteria established under authority of Section 102 of the Marine Protection, Research and Sanctuaries Act of 1972, as amended. That decision will reflect the national concern for both protection and utilization of important resources. The benefit which reasonably may be expected to accrue from the project must be balanced against its reasonably foreseeable detriments. All factors which may be relevant to the project will be considered including the cumulative effects thereof; among those are conservation, economics, aesthetics, general environmental concerns, wetlands, historic properties, fish and wildlife values, flood hazards, flood plain values, land use, navigation, shoreline erosion and accretion, recreation, water supply and conservation, water quality, energy needs, safety, food and fiber production and, in general, the needs and welfare of the people. A permit will be granted unless the District Engineer determines that it would be contrary to the public interest. In cases of conflicting property rights, the Corps of Engineers cannot undertake to adjudicate rival claims.

The Corps of Engineers is soliciting comments from the public; Federal, state, and local agencies and officials; Indian Tribes; and other interested parties in order to consider and evaluate the impacts of this activity. Any comments received will be considered by the Corps of Engineers to determine whether to issue, modify, condition or deny a permit for this project. To make this decision, comments are used to assess impacts on endangered species, historic properties, water quality, general environmental effects, and the other public interest factors listed above. Comments are used in the preparation of an Environmental Assessment and/or an Environmental Impact Statement pursuant to the National Environmental Policy Act. Comments are also used to determine the need for a public hearing and to determine the overall public interest of the activity.

If there are any questions concerning this public notice, please contact Rob Huff at 843-365-4239.



SITE LOCATION MAP

USGS WAMPEE QUAD

FOR PERMITTING ONLY  
NOT FOR CONSTRUCTION

APPLICANT:

Cedar Creek Village HOA

ACTIVITY:

Extend Boat Ramp  
and Add Curb

P/N# 2007-02432-344  
3TH

LOCATION: Little River  
Township-

COUNTY: Horry

DATE: 10/15/07

LOT 07  
THRASHER

LOT 09  
WHITSON

TMS 131-05-06

PIER POINT DRIVE  
50' R/W

PROPERTY LINE

R/W

NEW 27 LF 6" CONC. CURB

MHW

EXISTING BOAT RAMP

MLW

NEW BOAT RAMP EXTENSION

50'

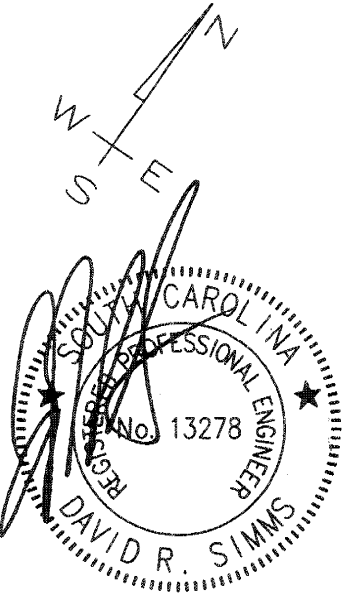
15.5'

EBB →

← FLOOD

INTRACOASTAL WATERWAY

# SITE PLAN



FOR PERMITTING ONLY  
NOT FOR CONSTRUCTION

0 20 40 80



1" = 40'

APPLICANT:  
Cedar Creek Village HOA  
ACTIVITY: Extend Boat Ramp  
and Add Curb

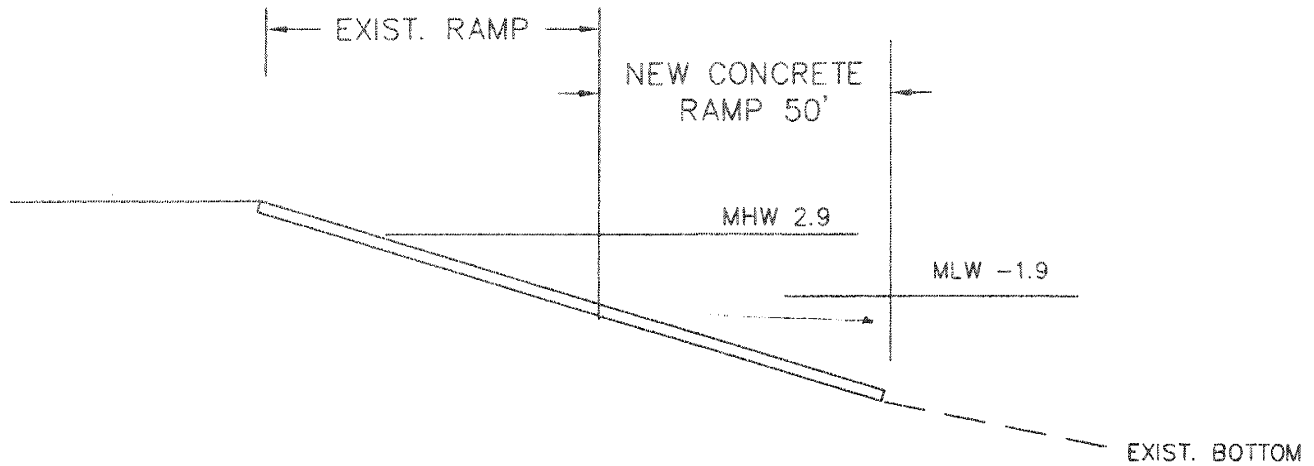
LOCATION: Little River  
Township

COUNTY: Horry

DATE: 10/15/07

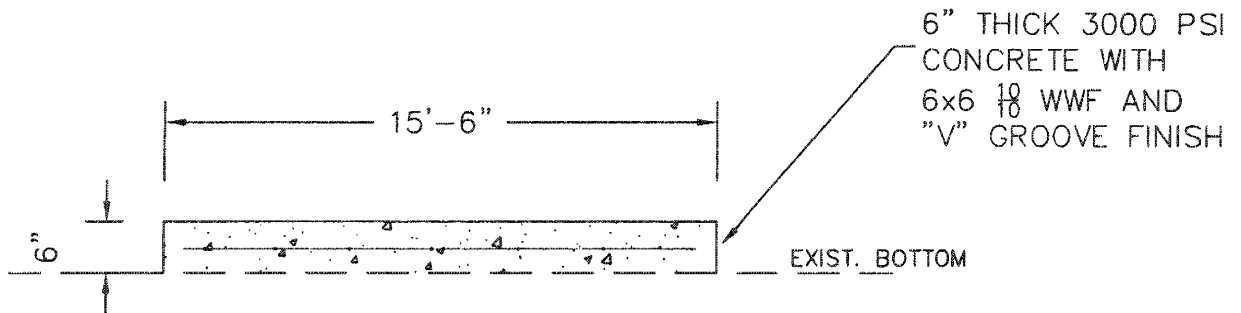
P/N# 2007-02432-3 *MSH*

SHEET 2 OF 3



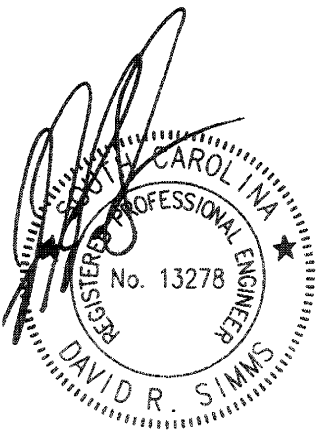
## RAMP PROFILE

N.T.S.—SEE DIM



## TYP RAMP SECTION

N.T.S.—SEE DIM



FOR PERMITTING ONLY  
NOT FOR CONSTRUCTION

APPLICANT:  
Cedar Creek Village HOA

ACTIVITY:  
Extend Boat Ramp  
and Add Curb

LOCATION: Little River  
Township

COUNTY: Horry  
DATE: 10/15/07

SAC # 2007-02432-3 <sup>JH</sup>

SHEET 3 of 3