



REPLY TO
ATTENTION OF

DEPARTMENT OF THE ARMY
CHARLESTON DISTRICT, CORPS OF ENGINEERS
69-A Hagood Avenue
CHARLESTON, SOUTH CAROLINA 29403-5107

REGULATORY DIVISION

Refer to: P/N #2006-820-2IR-P (Revised)
Francis Graham Properties, LLC.

April 6, 2007

To construct a pier and floating dock in Jeremy Creek.

The dimensions of the dock that were recorded in the original public notice have since been revised. The original notice proposed a structure which would include a 4' x 94' fixed pier walkway extending from high ground to a 10' x 12' fixed covered pier head, and an 8' x 20' floating dock installed on the upstream side of the pier head and connected by a 4' x 25' gangway. The revised project will include a 4' x 130' walkway extending from high ground to a 10' x 12' fixed covered pier head, and an 8' x 20' floating dock will be built channel ward, connected by a 3' x 25' gangway. Furthermore, the entire dock structure was moved to a location more upstream, further from the federal channel. In addition, the applicant has requested an 11' x 14' four pile boat lift. This proposed boat lift will be installed on the downstream side of the pier head.

All other information regarding the public notice remains the same.

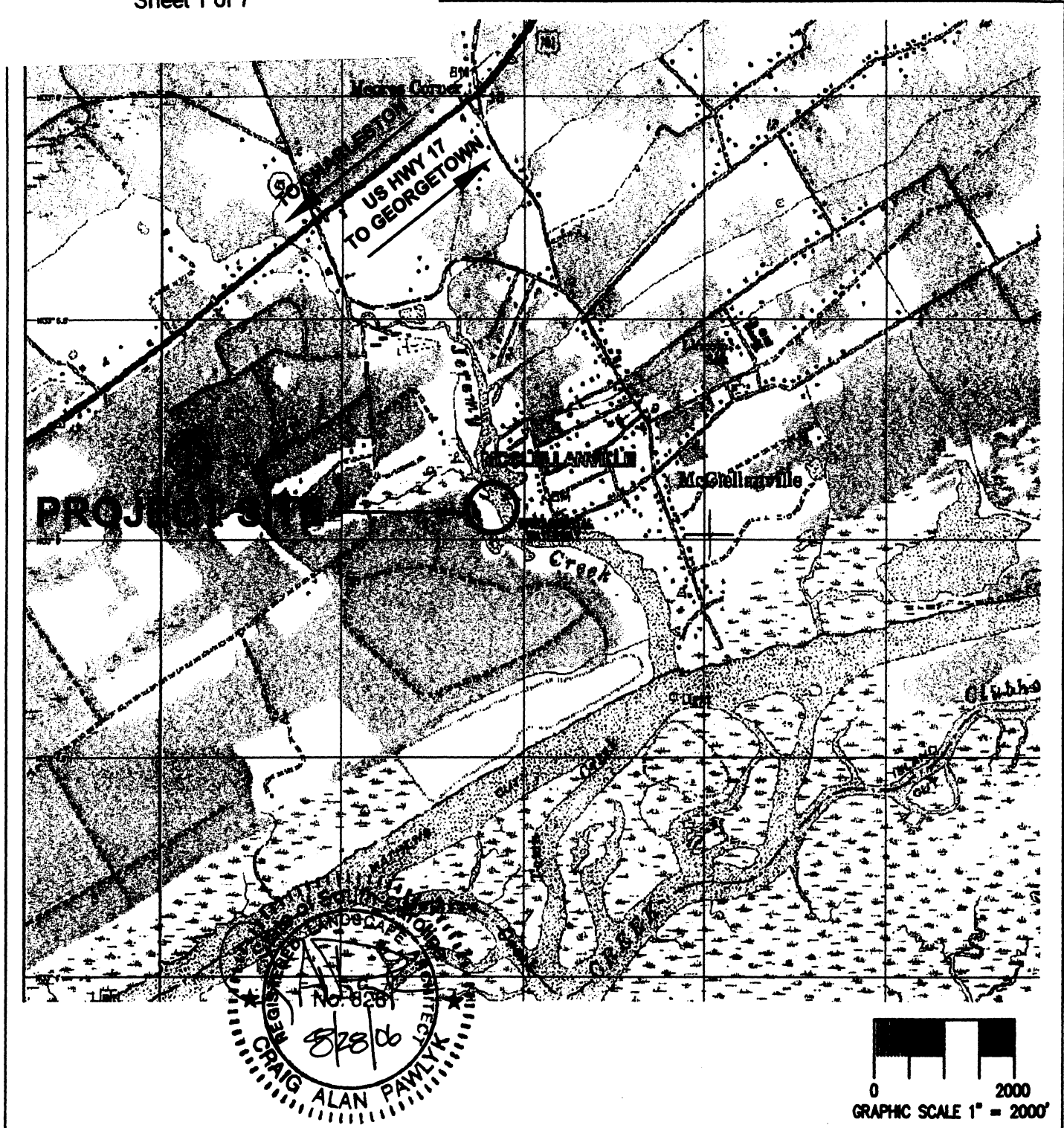
In order to give all interested parties an opportunity to express their views

NOTICE

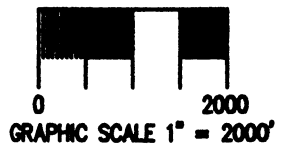
is hereby given that written statements regarding the proposed work will be received by both of the above mentioned offices until

12 O'CLOCK NOON, MONDAY, APRIL 23, 2007

If there are any questions concerning this public notice, please contact Rob Vega at 843-329-8044 or toll free at 1-866-329-8187.



MISSISSIPPI RIVER SCENIC RIVER DISTRICT
 No. 8201
 5/28/06
 CRAIG ALAN PAWLYK



AUTHORIZED AGENT:
 ZANDE-JON GUERRY TAYLOR, P.E., INC.
 P.O. BOX 1082
 MT. PLEASANT, SC 29465
 c/o MR. CRAIG PAWLYK

ADJACENT RIPARIAN PROPERTY:
 SEE SHEET 3

QUAD SHEET

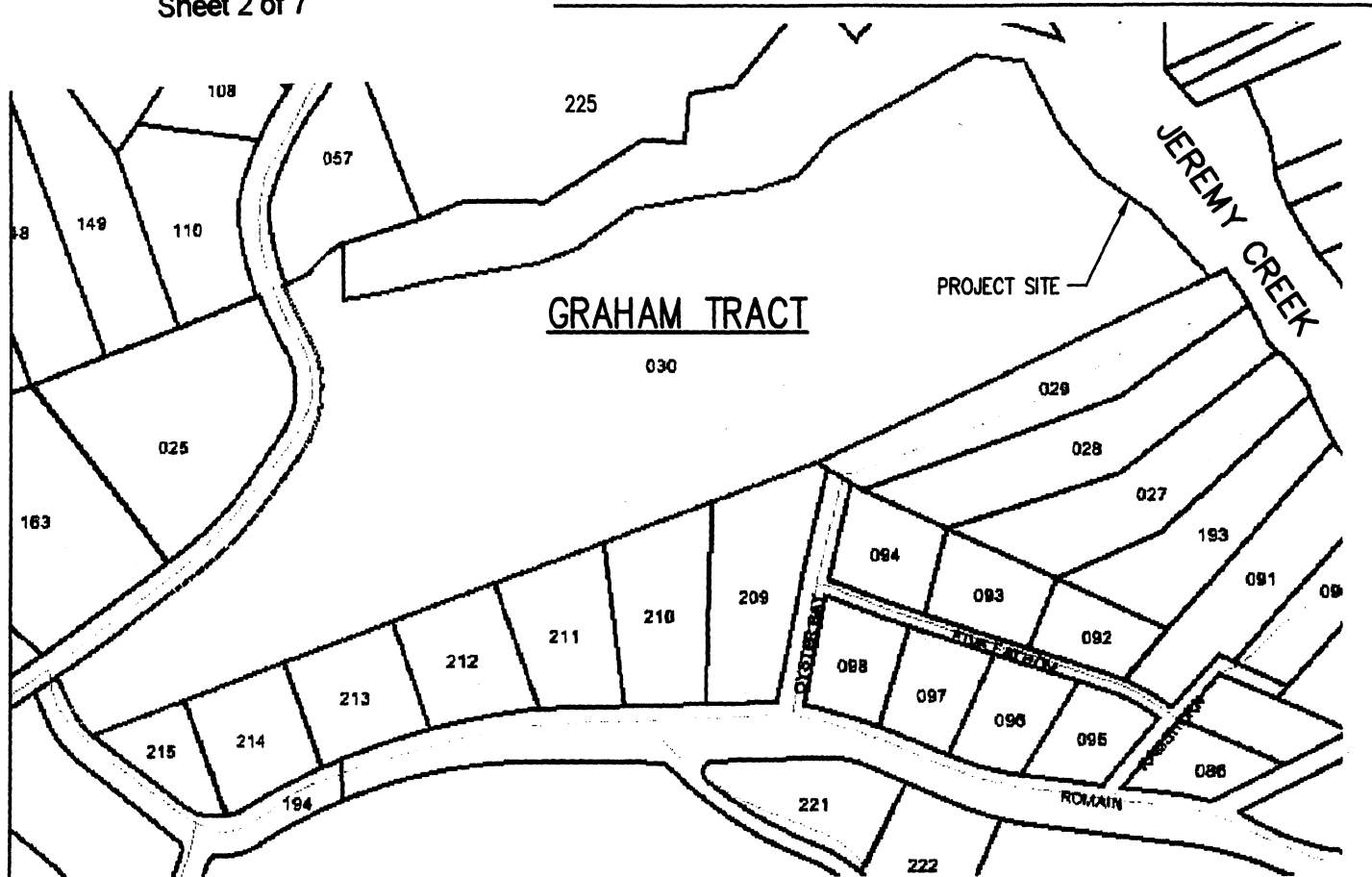
GRAHAM TRACT LOT 10

 CHARLESTON COUNTY, SC

PROPOSED:
 PRIVATE RESIDENTIAL FIXED PIER, BOAT LIFT
 AND FLOATING DOCK

IN: McCLELLANVILLE **STATE OF:** SC
COUNTY OF: CHARLESTON
ON: JEREMY CREEK **SHEET:** 1 OF 9
DATE: 3/28/06 **REVISED:** 8-15-06

GRAHAM-BASE
 ZANDE-JON GUERRY TAYLOR P.E.



225 LAWRENCE P. McCLELLAN
 10129 N. HIGHWAY 17
 McCLELLANVILLE, SC 29458-9504

029 THOMAS WILLIAM GRAHAM SOLOMON
 C/O HANGING BIRCH HORAM
 HEATHFIELD EAST
 SUSSEX ENGLAND
 7N21

209 RICHARD A. AND CAROL J. HUNTER
 711 OYSTER BAY ROAD
 McCLELLANVILLE, SC 29458-9755

210 MICHAEL C. MATTAR
 615 ROMAIN ROAD
 McCLELLANVILLE, SC 29458-9769

211 POTTBERG HOLDINGS LLC
 PO BOX 275
 McCLELLANVILLE, SC 29458-0275

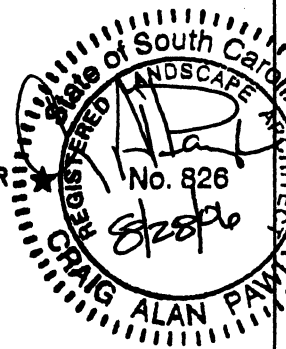
212 GEORGE GARY AND EVELYN ELIZABETH BRONSON
 732 ROMAIN ROAD
 McCLELLANVILLE, SC 29458-9753

213 CHARLES M. DAVIS JR.
 1538 SHADY LANE
 COLUMBIA, SC 29208-4635

214 ELIZABETH B. AND FRED HOFMEISTER
 PO BOX 320403
 TAMPA, FL 33679-2403

215 SKIPPERS POINT
 C/O WILLIAM LELAND
 277 BAYVIEW DR.
 MT. PLEASANT, SC 29484-3428

057 ELLEN M. AND STEPHAN B. MORRISON
 PO BOX 203
 McCLELLANVILLE, SC 29458-0203



AUTHORIZED AGENT:
 ZANDE-JON GUERRY TAYLOR, P.E., INC.
 P.O. BOX 1082
 MT. PLEASANT, SC 29465
 c/o MR. CRAIG PAWLYK

ADJACENT RIPARIAN PROPERTY:
 SEE SHEET 3

ADJACENT PROPERTY OWNERS

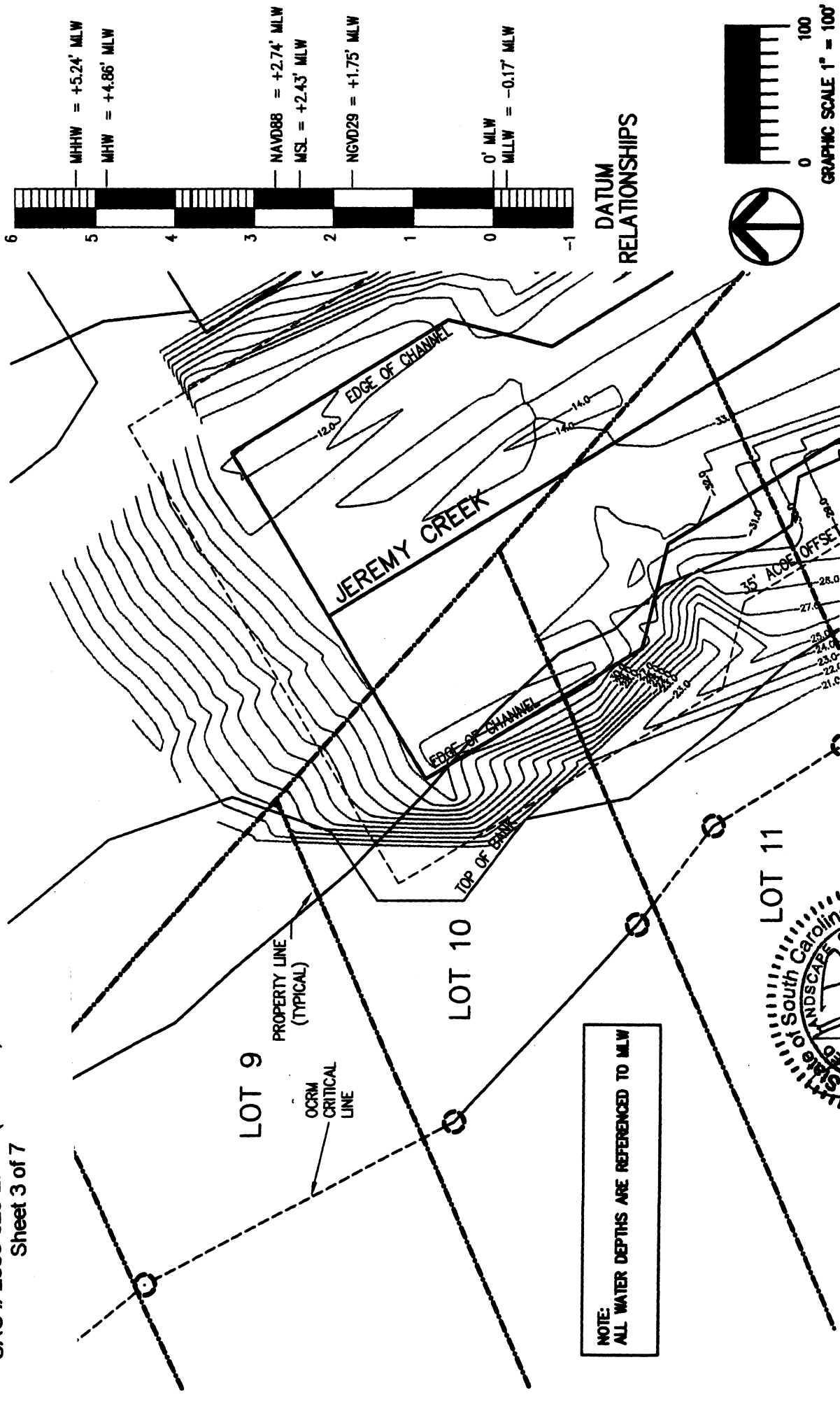
GRAHAM TRACT LOT 10

 CHARLESTON COUNTY, SC

PROPOSED:
 PRIVATE RESIDENTIAL FIXED PIER, BOAT LIFT
 AND FLOATING DOCK

IN: McCLELLANVILLE **STATE OF:** SC
COUNTY OF: CHARLESTON
ON: JEREMY CREEK **SHEET:** 3 OF 9
DATE: 3/28/06 **REVISED:** 8-15-06

SAC # 2006-820-21R-P (Revised)
Sheet 3 of 7



PROPOSED:
PRIVATE RESIDENTIAL FIXED PIER, BOAT LIFT
AND FLOATING DOCK

IN: McCLELLANVILLE STATE OF: SC
COUNTY OF: CHARLESTON
ON: JEREMY CREEK SHEET: 4 OF 9
DATE: 3/28/06 REVISED 8-15-06

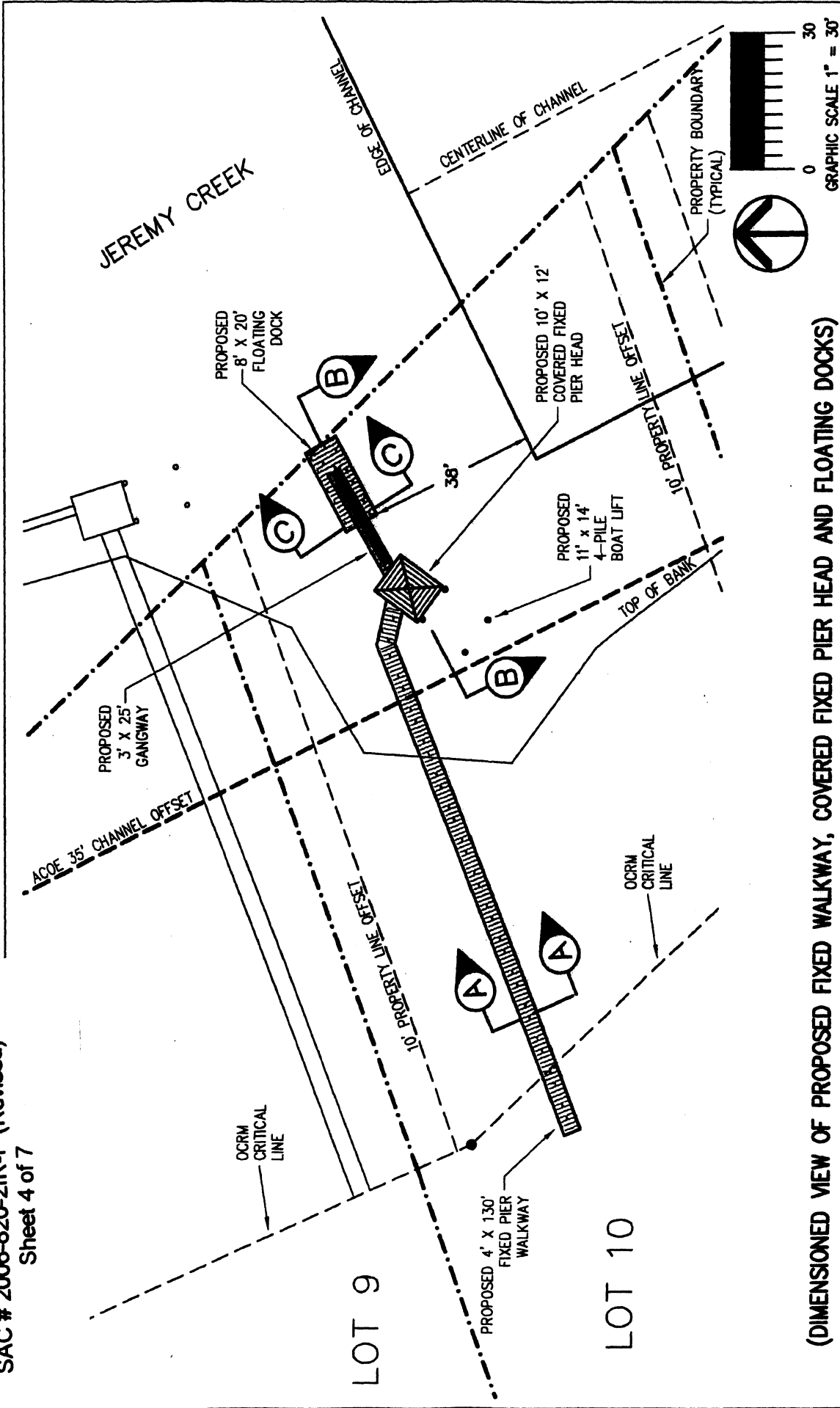
EXISTING CONDITIONS
GRAHAM TRACT LOT 10
CHARLESTON COUNTY, SC

AUTHORIZED AGENT:
ZANDE-JON GUERRY TAYLOR, P.E., INC.
P.O. BOX 1082
MT. PLEASANT, SC 29465
c/o MR. CRAIG PAWLKY

ADJACENT RIPARIAN PROPERTY:
SEE SHEET 3

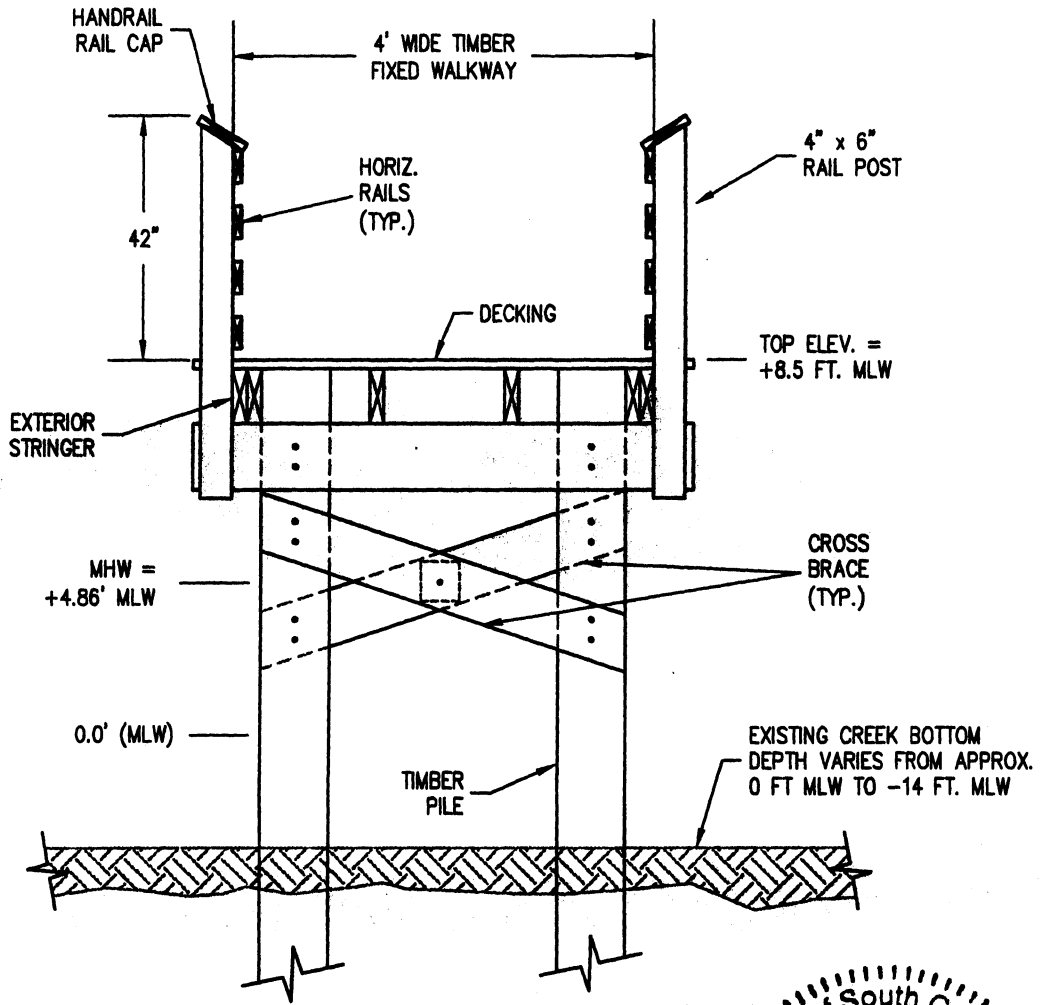
State of South Carolina
REGISTERED LANDSCAPE ARCHITECT
No. 826
CRAIG ALAN PAWLKY

SAC # 2006-820-21R-P (Revised)
 Sheet 4 of 7



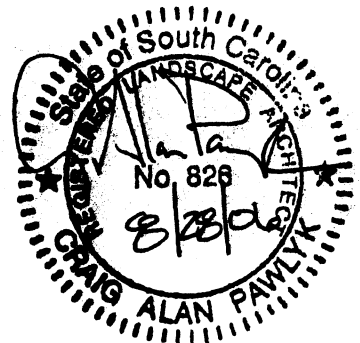
(DIMENSIONED VIEW OF PROPOSED FIXED WALKWAY, COVERED FIXED PIER HEAD AND FLOATING DOCKS)

<p>AUTHORIZED AGENT: ZANDE-JON GUERRY TAYLOR, P.E., INC. P.O. BOX 1082 MT. PLEASANT, SC 29465 c/o MR. CRAIG PAWLKY</p> <p>ADJACENT RIPARIAN PROPERTY: SEE SHEET 3</p>	<p><u>PROPOSED IMPROVEMENTS</u></p> <p>GRAHAM TRACT LOT 10</p> <p>CHARLESTON COUNTY, SC</p>	<p>PROPOSED: PRIVATE RESIDENTIAL FIXED PIER AND FLOATING DOCK</p> <p>IN: McCLELLANVILLE STATE OF: SC COUNTY OF: CHARLESTON</p> <p>ON: JEREMY CREEK</p> <p>DATE: 3/28/06 SHEET: 6 OF 9 REVISED 9/05/06 REVISED 1/15/07</p> <p>FILE: GRAHAM-BASE ZANDE-JON GUERRY TAYLOR P.E.</p>
----------------------------------------------------------------------------------------------------------------------------------------------------------------------------------------------------------------------------------------	----------------------------------------------------------------------------------------------------	-------------------------------------------------------------------------------------------------------------------------------------------------------------------------------------------------------------------------------------------------------------------------------------------------------------------------------------



(4 FT. WIDE FIXED PIER WALKWAY)

SECTION A-A
 NOT TO SCALE



AUTHORIZED AGENT:
 ZANDE-JON GUERRY TAYLOR, P.E., INC.
 P.O. BOX 1082
 MT. PLEASANT, SC 29465
 c/o MR. CRAIG PAWLYK

ADJACENT RIPARIAN PROPERTY:
 SEE SHEET 3

PROPOSED IMPROVEMENTS

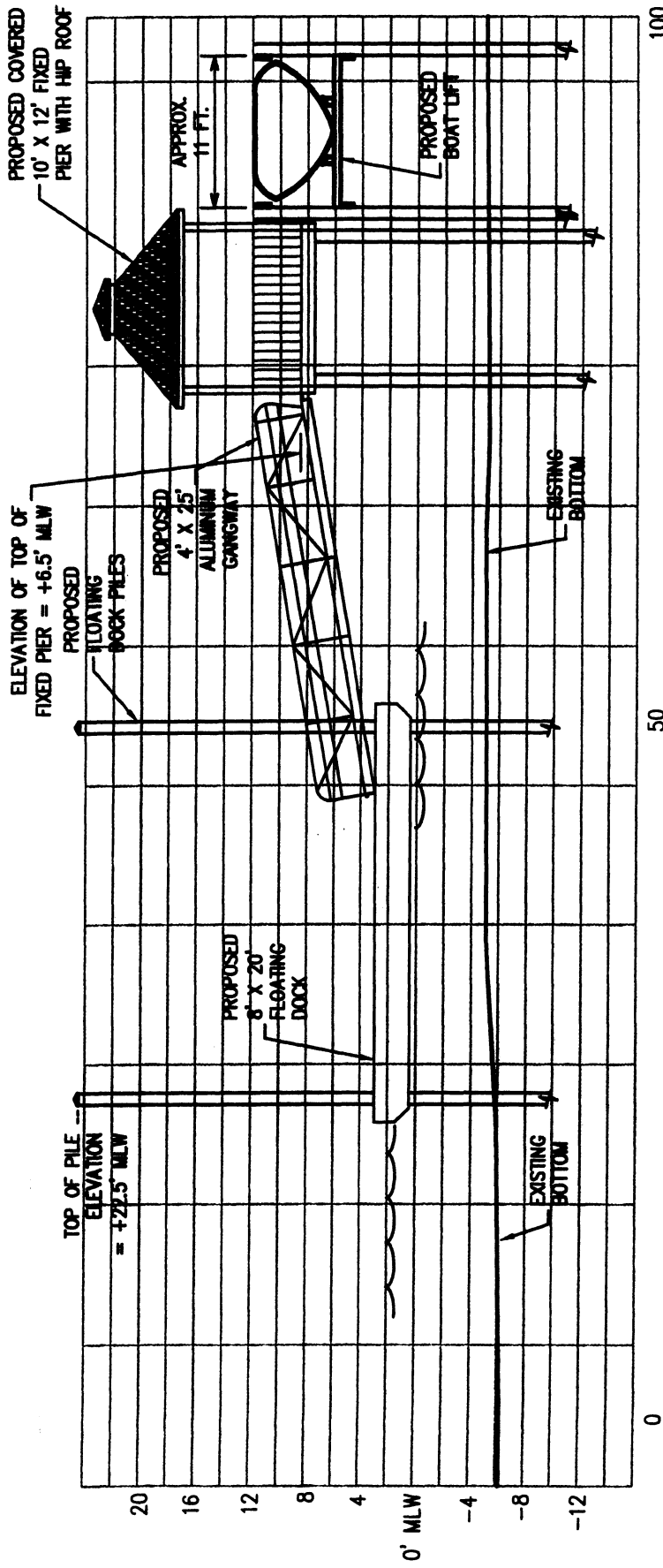
GRAHAM TRACT LOT 10

CHARLESTON COUNTY, SC

PROPOSED:
 PRIVATE RESIDENTIAL FIXED PIER, BOAT LIFT
 AND FLOATING DOCK

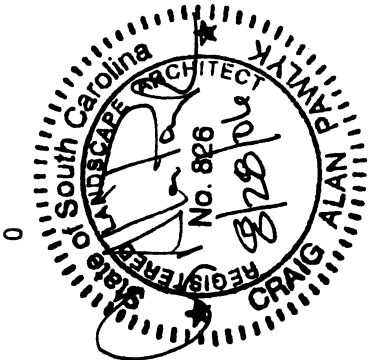
IN: McCLELLANVILLE **STATE OF:** SC
COUNTY OF: CHARLESTON
ON: JEREMY CREEK **SHEET:** 7 OF 9
DATE: 3/28/06 **REVISED:** 8-15-06

SAC # 2006-820-2IR-P (Revised)
 Sheet 6 of 7



(ELEVATION VIEW OF COVERED PIER HEAD, GANGWAY, FLOATING DOCK AND BOAT LIFT)

SECTION B-B
 NOT TO SCALE



AUTHORIZED AGENT:
 ZANDE-JON GUERRY TAYLOR, P.E., INC.
 P.O. BOX 1082
 MT. PLEASANT, SC 29465
 c/o MR. CRAIG PAWLYK

ADJACENT RIPARIAN PROPERTY:
 SEE SHEET 3

PROPOSED IMPROVEMENTS

GRAHAM TRACT LOT 10

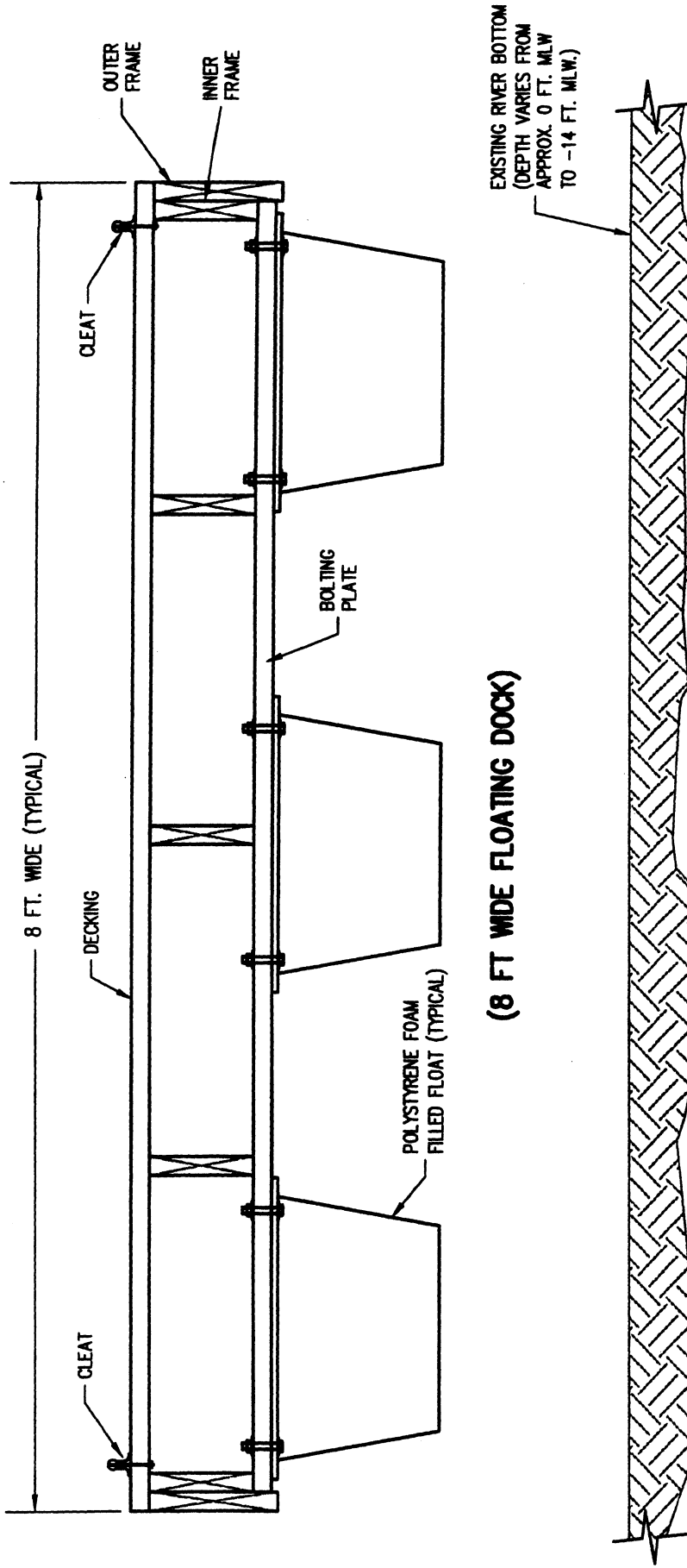
CHARLESTON COUNTY, SC

PROPOSED:
 PRIVATE RESIDENTIAL FIXED PIER, BOAT LIFT
 AND FLOATING DOCK

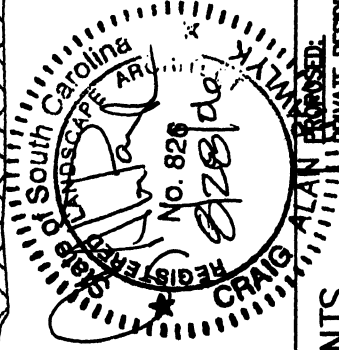
IN: MCLELLANVILLE STATE OF: SC
 COUNTY OF: CHARLESTON
 ON: JEREMY CREEK SHEET: 8 OF 9
 DATE: 3/28/06 REVISED 8-15-06

FILE: GRAHAM-BASE

SAC # 2006-820-21R-P (Revised)
 Sheet 7 of 7



(8 FT WIDE FLOATING DOCK)



SECTION C-C
 NOT TO SCALE

PROPOSED IMPROVEMENTS
GRAHAM TRACT LOT 10
 CHARLESTON COUNTY, SC

AUTHORIZED AGENT:
 ZANDE--JON GUERRY TAYLOR, P.E., INC.
 P.O. BOX 1082
 FT. PLEASANT, SC 29465
 c/o MR. CRAIG PAWLKY

ADJACENT RIPARIAN PROPERTY:
 SEE SHEET 3

PROJECT: PRIVATE RESIDENTIAL FIXED PIER, BOAT LIFT AND FLOATING DOCK
IN: McLELLANVILLE **STATE OF:** SC
COUNTY OF: CHARLESTON
ON: JEREMY CREEK **SHEET:** 9 OF 9
DATE: 3/28/06 **REVISED:** 8-15-06