

JOINT
PUBLIC NOTICE

CHARLESTON DISTRICT, CORPS OF ENGINEERS
69-A HAGOOD AVENUE
CHARLESTON, SOUTH CAROLINA 29403
and the
S.C. DEPARTMENT OF HEALTH AND ENVIRONMENTAL CONTROL
OFFICE OF OCEAN AND COASTAL RESOURCE MANAGEMENT
1362 McMillan Avenue, Suite 400
Charleston, South Carolina 29405

REGULATORY DIVISION
Refer to: P/N #SAC-2006-2193-1ID

February 23, 2007

Pursuant to Section 10 of the Rivers and Harbors Act of 1899 (33 U.S.C. 403), Section 401 of the Clean Water Act (33 U.S.C. 1344), and the South Carolina Coastal Zone Management Act (48-39-10 et.seq.) an application has been submitted to the Department of the Army and the S.C. Department of Health and Environmental Control by

HAMILTON VILLAGE, LLC
c/o ROBERT HANCOCK
325 FALLEN OAK DRIVE
COLUMBIA, SOUTH CAROLINA 29229

for a permit to construct a community boat docking facility in

FACTORY CREEK

located at the intersection of U.S. Hwy. 21 and Sunset Blvd. on Ladies Island in Beaufort County, South Carolina.

In order to give all interested parties an opportunity to express their views

NOTICE

is hereby given that written statements regarding the proposed work will be received by both of the above mentioned offices until

12 O'CLOCK NOON, MONDAY, MARCH 26, 2007

from those interested in the activity and whose interests may be affected by the proposed work.

The proposed work consists of the construction of a community boat docking facility. In detail, a 165' long walkway will be constructed with an attached 20' x 20' fixed covered pierhead. Attached to the pierhead will be 2 floating dock sections, capable of accommodating a total of 24 boats of various size. The purpose of this facility will be for the private recreational use of the residents of the adjoining Hamilton Village Development. NOTE: This permit request supersedes the previous permit (2005-1E-126) that was issued for this site.

NOTE: Plans depicting the work described in this notice are available and will be provided, upon receipt of a written request, to anyone that is interested in obtaining a copy of the plans for the specific project. The request must identify the project of interest by public notice number and a self-addressed stamped envelope must also be provided for mailing the drawings to you. Your request for drawings should be addressed to the

**U.S. Army Corps of Engineers
ATTN: REGULATORY DIVISION
69-A Hagood Avenue
Charleston, South Carolina 29403**

The District Engineer has concluded that the discharges associated with this project, both direct and indirect, should be reviewed by the South Carolina Department of Health and Environmental Control in accordance with provisions of Section 401 of the Clean Water Act. As such, this notice constitutes a request, on behalf of the applicant, for certification that this project will comply with applicable effluent limitations and water quality standards. The work shown on this application must also be certified as consistent with applicable provisions the Coastal Zone Management Program (15 CFR 930). The District Engineer will not process this application to a conclusion until such certifications are received. The applicant is hereby advised that supplemental information may be required by the State to facilitate the review.

This notice initiates the Essential Fish Habitat (EFH) consultation requirements of the Magnuson-Stevens Fishery Conservation and Management Act. Implementation of the proposed project would impact approximately 0.10 acres of estuarine substrates and emergent wetlands utilized by various life stages of species comprising the red drum, shrimp, and snapper-grouper management complexes. Our initial determination is that the proposed action would not have a substantial individual or cumulative adverse impact on EFH or fisheries managed by the South Atlantic Fishery Management Council and the National Marine Fisheries Service (NMFS). Our final determination relative to project impacts and the need for mitigation measures is subject to review by and coordination with the NMFS.

Pursuant to Section 106 of the National Historic Preservation Act (NHPA), this public notice also constitutes a request to Indian Tribes to notify the District Engineer of any historic properties of religious and cultural significance to them that may be affected by the proposed undertaking.

In accordance with the NHPA, the District Engineer has also consulted the latest published version of the National Register of Historic Places for the presence or absence of registered properties, or properties listed as being eligible for inclusion therein, and this worksite is not included as a registered property or property listed as being eligible for inclusion in the Register. To insure that other cultural resources that the District Engineer is not aware of are not overlooked, this public notice also serves as a request to the State Historic Preservation Office to provide any information it may have with regard to historic and cultural resources.

The District Engineer has consulted the most recently available information and has determined that the project will have no effect on any Federally endangered, threatened, or proposed species and will not result in the destruction or adverse modification of designated or proposed critical habitat. This public notice serves as a request to the U.S. Fish and Wildlife Service and the National Marine Fisheries Service for any additional information they may have on whether any listed or proposed endangered or threatened species or designated or proposed critical habitat may be present in the area which would be affected by the activity, pursuant to Section 7(c) of the Endangered Species Act of 1973 (as amended).

Any person may request, in writing, within the comment period specified in this notice, that a public hearing be held to consider this application. Requests for a public hearing shall state, with particularity, the reasons for holding a public hearing.

The decision whether to issue a permit will be based on an evaluation of the probable impact including cumulative impacts of the activity on the public interest. That decision will reflect the national concern for both protection and utilization of important resources. The benefit which reasonably may be expected to accrue from the project must be balanced against its reasonably foreseeable detriments. All factors which may be relevant to the project will be considered including the cumulative effects thereof; among those are conservation, economics, aesthetics, general environmental concerns, wetlands, historic properties, fish and wildlife values, flood hazards, flood plain values, land use, navigation, shoreline erosion and accretion, recreation, water supply and conservation, water quality, energy needs, safety, food and fiber production and, in general, the needs and welfare of the people. A permit will be granted unless the District Engineer determines that it would be contrary to the public interest. In cases of conflicting property rights, the Corps of Engineers cannot undertake to adjudicate rival claims.

The Corps of Engineers is soliciting comments from the public; Federal, state, and local agencies and officials; Indian Tribes; and other interested parties in order to consider and evaluate the impacts of this activity. Any comments received will be considered by the Corps of Engineers to determine whether to issue, modify, condition or deny a permit for this project. To make this decision, comments are used to assess impacts on endangered species, historic properties, water quality, general environmental effects, and the other public interest factors listed above. Comments are used in the preparation of an Environmental Assessment and/or an Environmental Impact Statement pursuant to the National Environmental Policy Act. Comments are also used to determine the need for a public hearing and to determine the overall public interest of the activity.

If there are any questions concerning this public notice, please contact Mr. Dean Herndon at 843-329-8044.

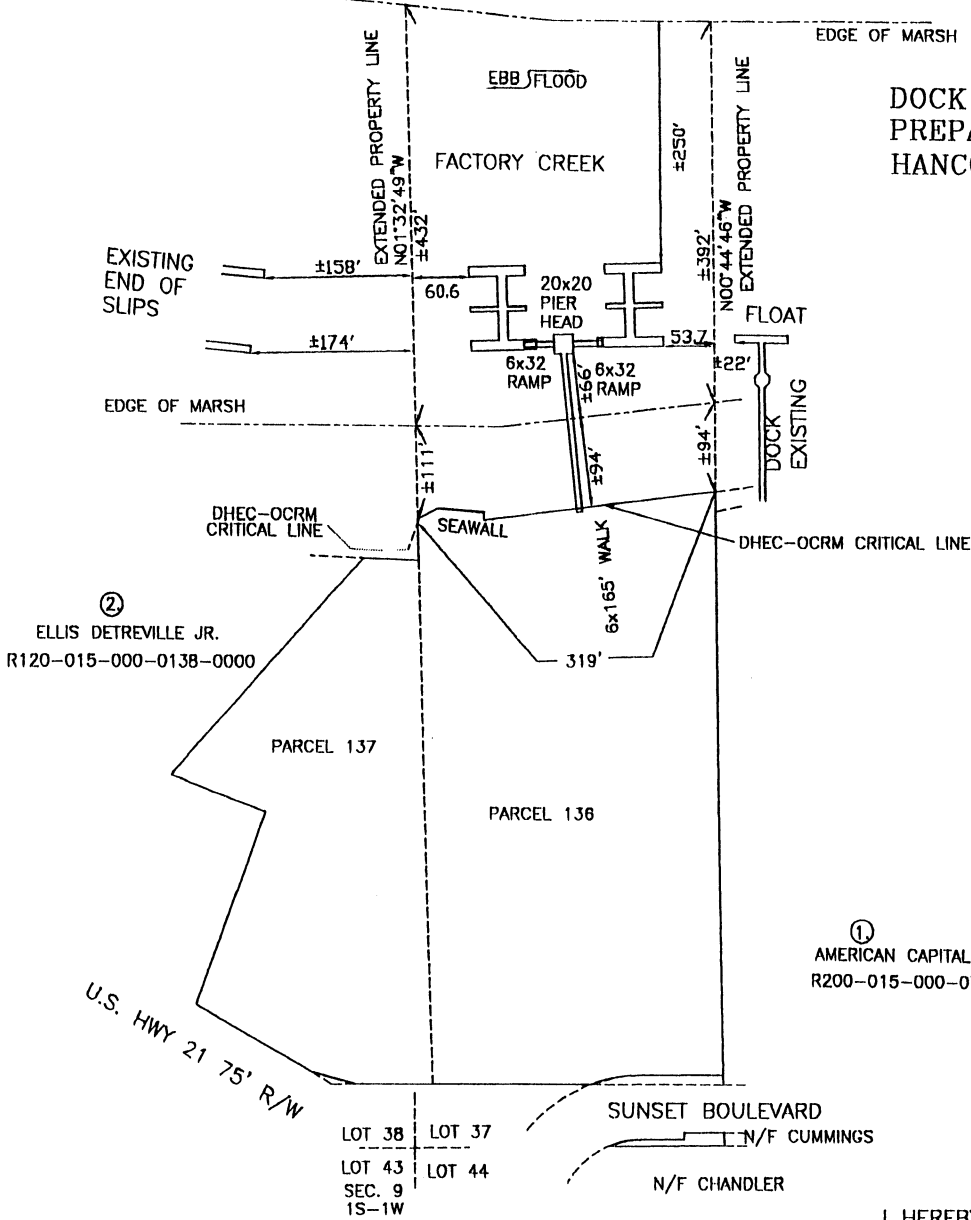


APPLICANT: *HAMILTON VILLAGE*
 ACTIVITY: *COMMUNITY DOCK*
 P/N #

LOCATION: *CORNER OF HWY 21 X
 SUNSET BLUFF, LADIES ISL.*
 COUNTY: *BEAUFORT*
 DATE: - - -

ADJACENT PROPERTY OWNERS:
*B.E. DETREVILLE
 LADIES LANDING POA*
Sh. 1 of 5

DOCK PERMIT SKETCH
PREPARED FOR
HANCOCK DEVELOPMENT



②
ELLIS DETREVILLE JR.
R120-015-000-0138-0000

①
AMERICAN CAPITAL RESOURCES
R200-015-000-0751-0000

U.S. HWY 21 75' R/W

LOT 38 LOT 37
LOT 43 LOT 44
SEC. 9
1S-1W

SUNSET BOULEVARD
N/F CUMMINGS
N/F CHANDLER

I HEREBY CERTIFY TO THE DIMENSIONS SHOWN
ON THIS SKETCH THAT PERTAIN TO CRITICAL LINE
AND MARSH LINE.

PIN: R201-015-000-0137-0000
R201-015-000-0138-0000



SCALE 1" = 200'

JANUARY 8, 2007
P12509DS/JJ

David S. Youmans
DAVID S. YOUMANS RLS 9765
BEAUFORT SURVEYING, INC.
1613 PARIS AVENUE
PORT ROYAL, S.C. 29935
PHONE (843) 524-3261

APPLICANT: HAMILTON VILLAGE LLC
ACTIVITY: COMMUNITY DOCK

LOCATION: CORNER OF HWY 21 &
SUNSET BLVD., LADYS
ISLAND
COUNTY: BEAUFORT
DATE: 01/10/07

ADJACENT PROPERTY OWNERS
1. AMERICAN CAPITOL RESORCES
2. ELLIS DETREVILLE JR.

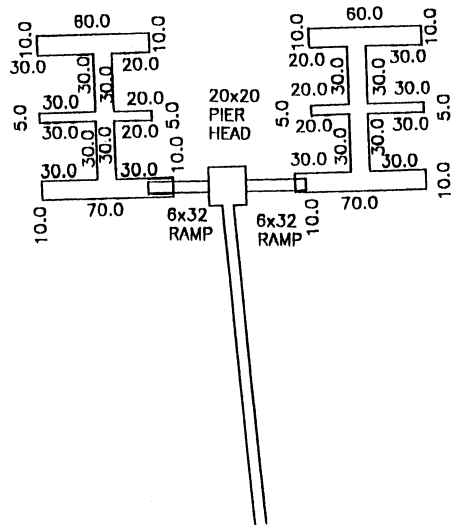
Sh. 2 of 5

FACTORY CREEK

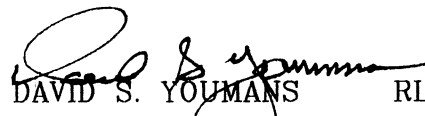
DOCK PERMIT SKETCH
PREPARED FOR
HANCOCK DEVELOPMENT



FLOAT DETAIL 1" = 100'



I HEREBY CERTIFY TO THE DIMENSIONS SHOWN
ON THIS SKETCH THAT PERTAIN TO CRITICAL LINE
AND MARSH LINE.


DAVID S. YOUMANS RLS 9765
BEAUFORT SURVEYING, INC.
1613 PARIS AVENUE
PORT ROYAL, S.C. 29935
PHONE (843) 524-3261

PIN: R201-015-000-0137-0000
R201-015-000-0138-0000
P12509DS/JJ

APPLICANT: HAMILTON VILLAGE LLC

ACTIVITY: COMMUNITY DOCK

LOCATION: CORNER OF HWY 21 &
SUNSET BLVD., LADYS
ISLAND

COUNTY: BEAUFORT

DATE: 01/10/07

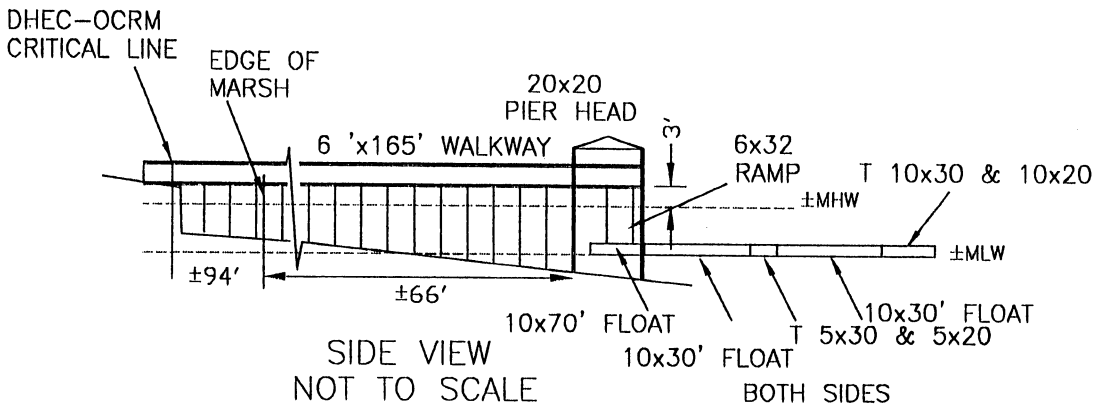
ADJACENT PROPERTY OWNERS

1. AMERICAN CAPITOL RESORCES

2. ELLIS DETREVILLE JR.

Sh. 3 of 5

DOCK PERMIT SKETCH
 PREPARED FOR
 HANCOCK DEVELOPMENT



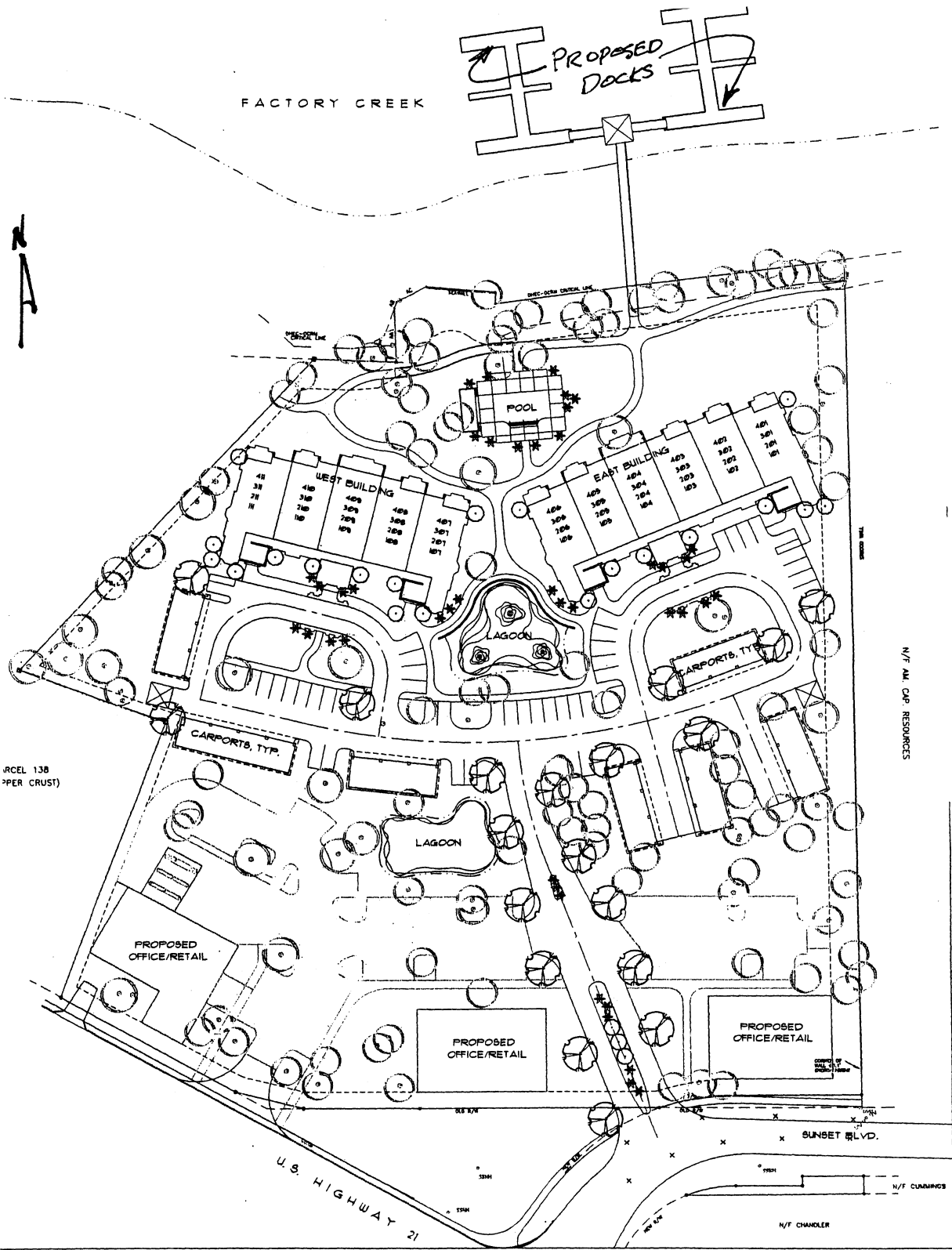
SIDE VIEW
 NOT TO SCALE

I HEREBY CERTIFY TO THE DIMENSIONS SHOWN ON THIS SKETCH THAT PERTAIN TO CRITICAL LINE AND MARSH LINE.

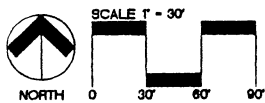
David S. Youmans
 DAVID S. YOUMANS RLS 9765
 BEAUFORT SURVEYING, INC.
 1613 PARIS AVENUE
 PORT ROYAL, S.C. 29935
 PHONE (843) 524-3261

PIN: R201-015-000-0137-0000
 R201-015-000-0138-0000
 P12509DS/JJ

APPLICANT: HAMILTON VILLAGE LLC ACTIVITY: COMMUNITY DOCK	LOCATION: CORNER OF HWY 21 & SUNSET BLVD., LADYS ISLAND COUNTY: BEAUFORT DATE: 01/10/07	ADJACENT PROPERTY OWNERS 1. AMERICAN CAPITOL RESORCES 2. ELLIIS DETREVILLE JR. <i>Sh. 4 of 5</i>
---	---	---



CONCEPTUAL SITE PLAN



HAMILTON VILLAGE
LADYS ISLAND, SOUTH CAROLINA

PREPARED FOR:
HAMILTON VILLAGE, LLC
PREPARED BY LANDPLAN PARTNERSHIP, INC.
APRIL 6, 2006

APPLICANT: *HAMILTON VILLAGE LLC*
ACTIVITY: *COMMUNITY DOCK*
P/N #

LOCATION: *CORNER HWY 21 & SUNSET BLVD, LADIES ISL*
COUNTY: *BEAUFORT*
DATE: - -

ADJACENT PROPERTY OWNERS:
B. E. DETROUVILLE
LADIES LANDING POA
Sh. 5 of 5