

FT. WORTH, TEXAS

FORT WORTH CENTRAL CITY

PRELIMINARY DESIGN SOL. NO. XXXX

PRELIMINARY DESIGN

FORT WORTH CENTRAL CITY

5

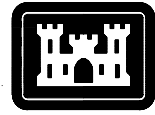
4

3

CONTR. NO. XXXX

SOL. NO. XXXX

FORT WORTH, TEXAS



US ARMY CORPS
OF ENGINEERS
Ft. Worth District

FORT WORTH CENTRAL CITY FORT WORTH, TEXAS

CIVIL / STRUCTURAL PRELIMINARY DESIGN

APPENDIX C
VOLUME II - PLANS

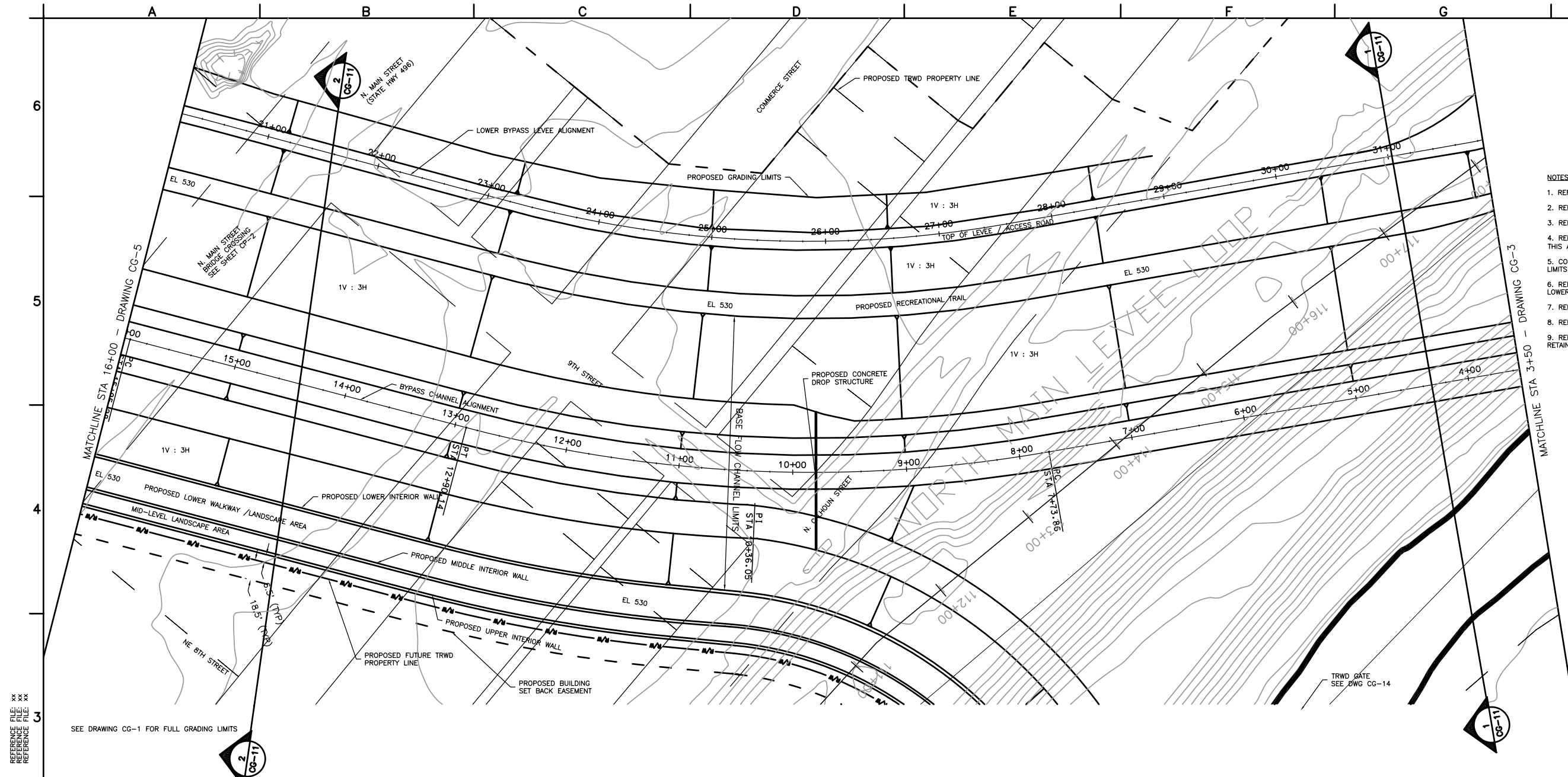
JANUARY 2005

NOT FOR CONSTRUCTION
THIS DOCUMENT IS RELEASED FOR THE
PURPOSE OF INTERIM REVIEW UNDER THE
AUTHORITY OF DONALD R. FUNDERLICH
TEXAS NO. 61169 ON DATE 01/13/2005
IT IS NOT TO BE USED FOR CONSTRUCTION,
BIDDING OR PERMIT PURPOSES.



IN ASSOCIATION WITH:





50' 25' 0 50'

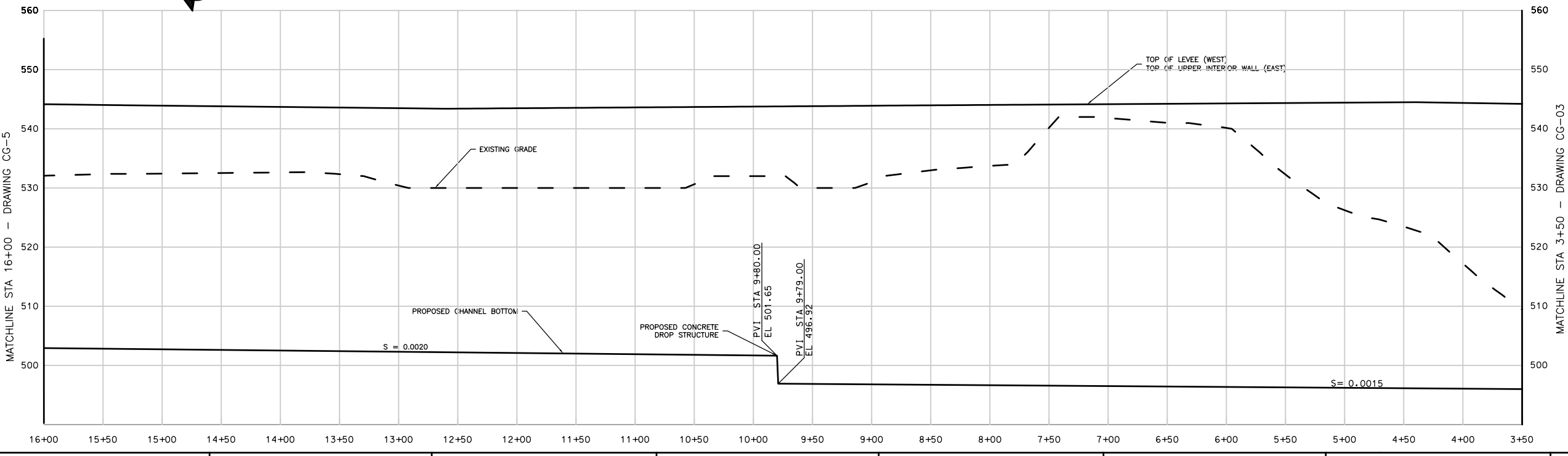
SCALE: 1" = 100'-0"
HALF-SIZE PRINT

- NOTES:
1. REFER TO C-2 FOR BYPASS CHANNEL KEY PLAN.
 2. REFER TO CG-11 FOR TYPICAL CROSS SECTIONS.
 3. REFER TO GI-1 FOR LEGEND AND ABBREVIATIONS.
 4. REFER TO CU DRAWINGS FOR UTILITY WORK IN THIS AREA. (WORK BY OTHERS)
 5. CONTRACTOR SHALL CLEAR AND GRUB TO GRADING LIMITS.
 6. REFER TO GR-1 FOR BYPASS CHANNEL AND LOWER BYPASS LEVEE CONTROL POINTS
 7. REFER TO CP-1 FOR TRANSPORTATION SITE PLAN.
 8. REFER TO CG-1 FOR FULL GRADING LIMITS.
 9. REFER TO SB-1 TO SB-3 FOR INTERIOR RETAINING WALL DETAILS.

xx
REFERENCE FILE:
xx
REFERENCE FILE:
xx
REFERENCE FILE:
xx

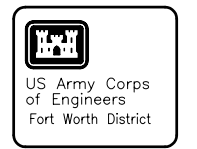
xx
REFERENCE FILE:
xx
REFERENCE FILE:
xx
REFERENCE FILE:
xx

xx
REFERENCE FILE:
xx
REFERENCE FILE:
xx
REFERENCE FILE:
xx



NOT FOR CONSTRUCTION

THIS DOCUMENT IS RELEASED FOR THE PURPOSE OF INTERIM REVIEW UNDER THE AUTHORITY OF DONALD R FUNDERLIC TEXAS NO: 61169 ON DATE: 01/13/2005. IT IS NOT TO BE USED FOR CONSTRUCTION, BIDDING OR PERMIT PURPOSES.



No.	Description	Date	By	Action

Designed by: D. FUNDERLIC	Date: JANUARY 2005
Dwn by: J. PRANGE	Soi No: XXXXXX
Reviewed by: M. OLESON	Contr. No: XXXXXX
Submitted by: NAME	File name: XXXXX
TITLE	Plot scale: XXXXXX

TARRANT REGIONAL WATER DISTRICT

FORT WORTH CENTRAL CITY
PRELIMINARY DESIGN

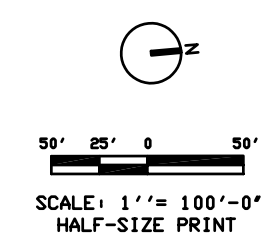
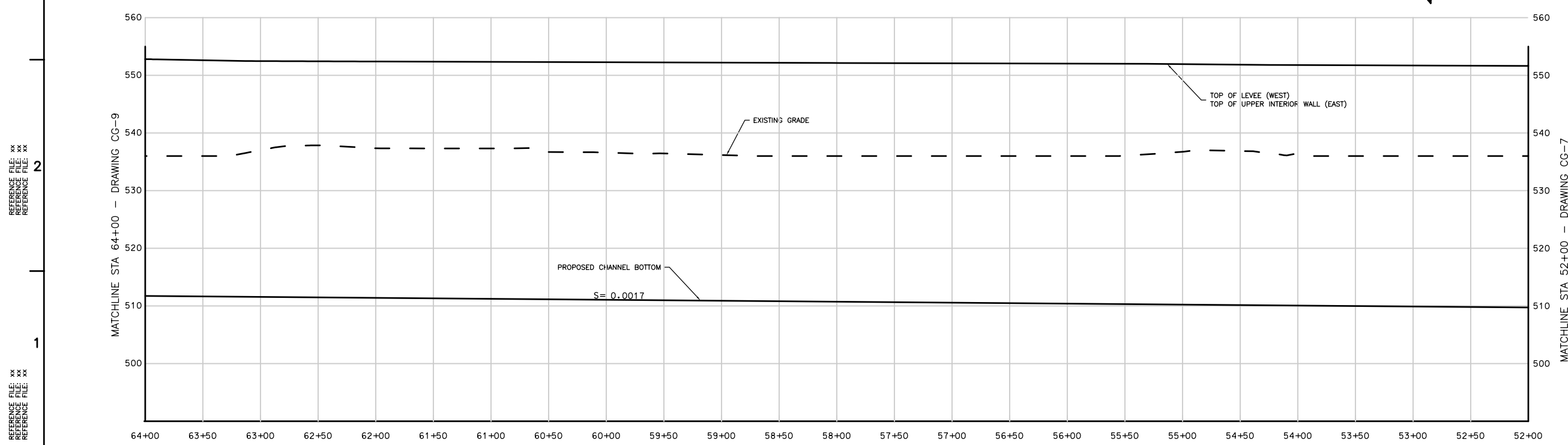
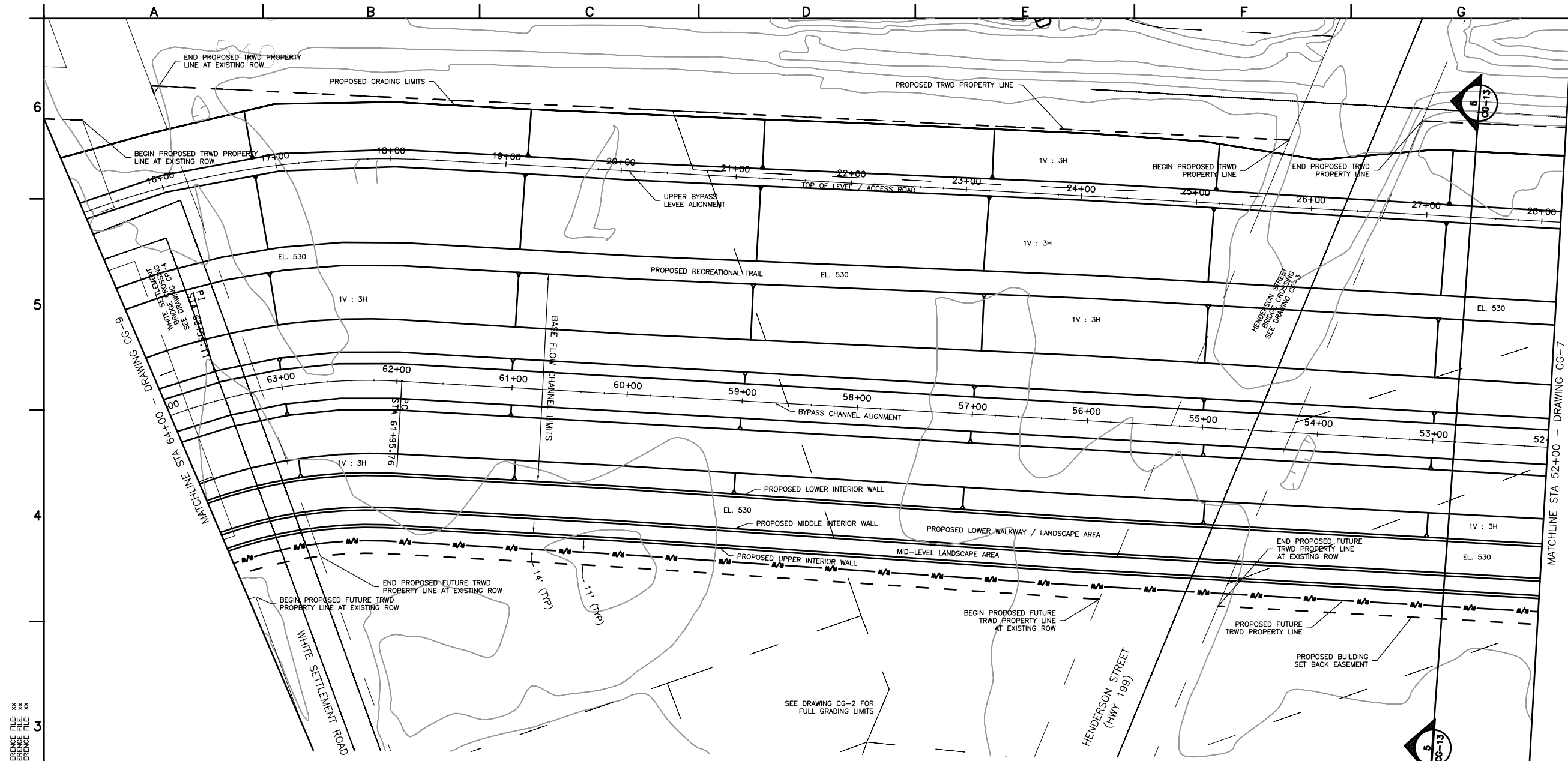
**BYPASS CHANNEL
PLAN AND PROFILE
STA 3+50 TO STA 16+00**

SEQUENCE NO.
CG-4

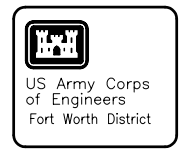
Sheet 11 of 139

DESIGN FILE: DRAWING NAME

Contr. No.



- NOTES:
1. REFER TO C-2 FOR BYPASS CHANNEL KEY PLAN.
 2. REFER TO CG-13 FOR TYPICAL SECTIONS.
 3. REFER TO GI-1 FOR LEGEND AND ABBREVIATIONS.
 4. REFER TO CU DRAWINGS FOR UTILITY WORK IN THIS AREA. (WORK BY OTHERS)
 5. CONTRACTOR SHALL CLEAR AND GRUB TO GRADING LIMITS.
 6. REFER TO GR-1 FOR BYPASS CHANNEL & UPPER BYPASS LEVEE ALIGNMENT TABLE.
 7. REFER TO CP-1 FOR TRANSPORTATION SITE PLAN.
 8. REFER TO CG-2 FOR FULL GRADING LIMITS.
 9. REFER TO SB-1 TO SB-3 FOR INTERIOR RETAINING WALL DETAILS.



No.	Description	Date	By	Check

Designed by: D. FUNDERLIC	Date: JANUARY 2005
Dwn by: J. PRANGE	Soi No. XXXXXX
Reviewed by: M. OLESON	Contr. No. XXXXXX
Submitted by:	File name: XXXXX
NAME	Plot scale: XXXXXX
TARRANT REGIONAL WATER DISTRICT	CDM

FORT WORTH CENTRAL CITY
PRELIMINARY DESIGN

**BYPASS CHANNEL
PLAN AND PROFILE
STA 52+00 TO 64+00**

SEQUENCE NO.
CG-8

Sheet 15 of 139

NOT FOR CONSTRUCTION

THIS DOCUMENT IS RELEASED FOR THE PURPOSE OF INTERIM REVIEW UNDER THE AUTHORITY OF DONALD R FUNDERLIC TEXAS NO: 61169 ON DATE: 01/13/2005 IT IS NOT TO BE USED FOR CONSTRUCTION, BIDDING OR PERMIT PURPOSES.

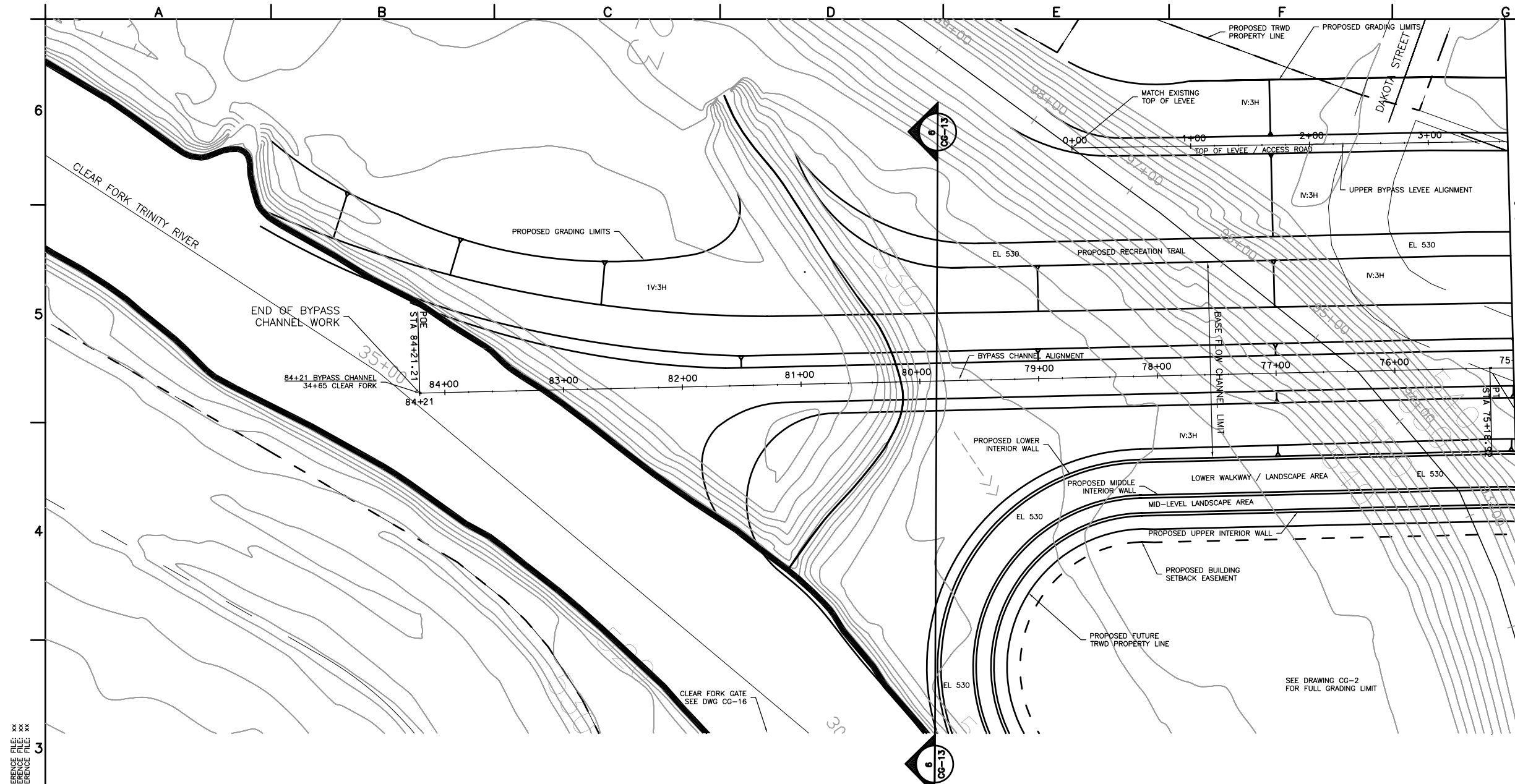
REFERENCE FILE: XX
REFERENCE FILE: XX
REFERENCE FILE: XX

REFERENCE FILE: XX
REFERENCE FILE: XX
REFERENCE FILE: XX

REFERENCE FILE: XX
REFERENCE FILE: XX
REFERENCE FILE: XX

DESIGN FILE: DRAWING NAME

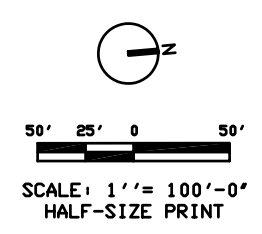
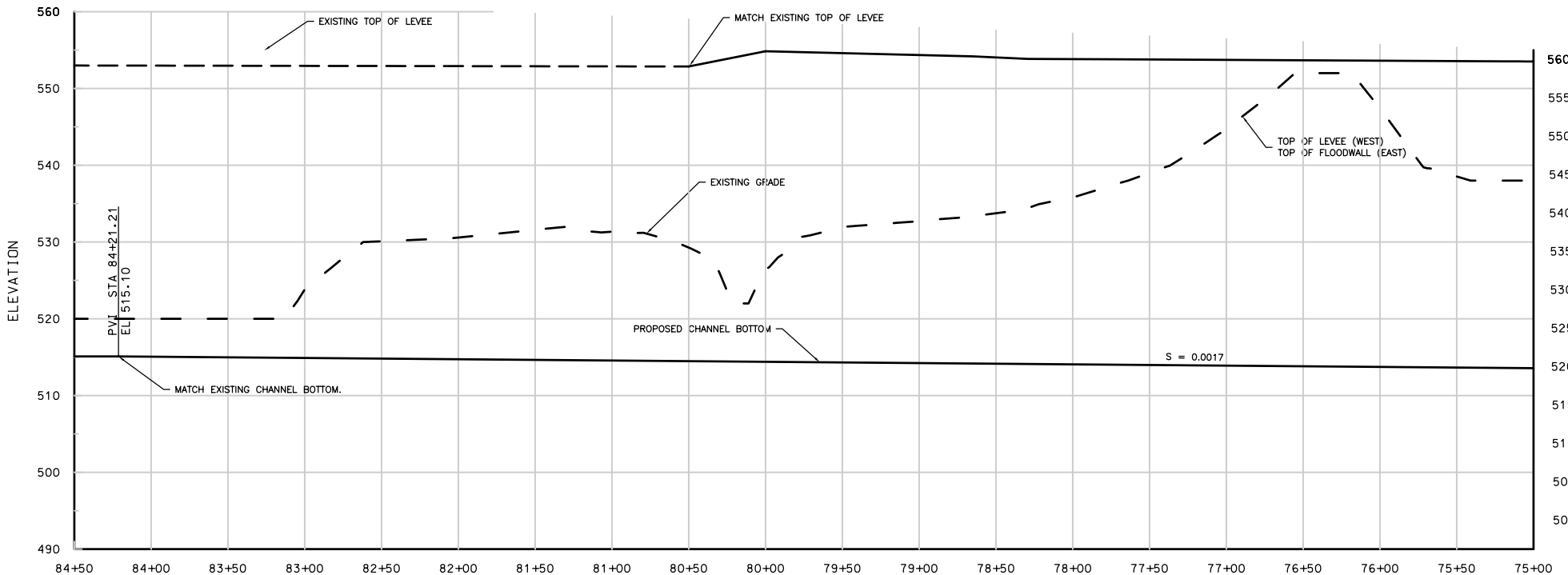
Contr. No.



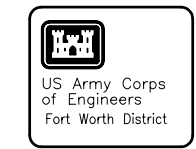
XX
REFERENCE FILE:
XX
REFERENCE FILE:
XX
REFERENCE FILE:
XX

XX
REFERENCE FILE:
XX
REFERENCE FILE:
XX
REFERENCE FILE:
XX

XX
REFERENCE FILE:
XX
REFERENCE FILE:
XX
REFERENCE FILE:
XX



- NOTES:**
1. REFER TO C-2 FOR BYPASS CHANNEL KEY PLAN.
 2. REFER TO CG-13 FOR TYPICAL CROSS SECTIONS.
 3. REFER TO GI-1 FOR LEGEND AND ABBREVIATIONS.
 4. REFER TO CU DRAWINGS FOR UTILITY WORK IN THIS AREA. (WORK BY OTHERS)
 5. CONTRACTOR SHALL CLEAR AND GRUB TO GRADING LIMITS.
 6. REFER TO GR-1 FOR BYPASS CHANNEL & UPPER BYPASS LEVEE ALIGNMENT TABLE.
 7. REFER TO CP-1 FOR TRANSPORTATION SITE PLAN.
 8. REFER TO CG-2 FOR FULL GRADING LIMITS.
 9. REFER TO SB-1 TO SB-3 FOR INTERIOR RETAINING WALL DETAILS.



No.	Description	Symbol	D.O. No.	Action	Date

Designed by: D. FUNDERLICH	Date: JANUARY 2005
Dwn by: J. PRANGE	Soi No. XXXXXX
Reviewed by: M. OLESON	Contr. No. XXXXXX
Submitted by: NAME	File name: XXXXX
TITLE	Plot scale: XXXXX

TARRANT REGIONAL WATER DISTRICT

FORT WORTH CENTRAL CITY
PRELIMINARY DESIGN

**BYPASS CHANNEL
PLAN AND PROFILE
STA 75+00 TO END STA**

SEQUENCE NO.
CG-10

Sheet 17 of 139

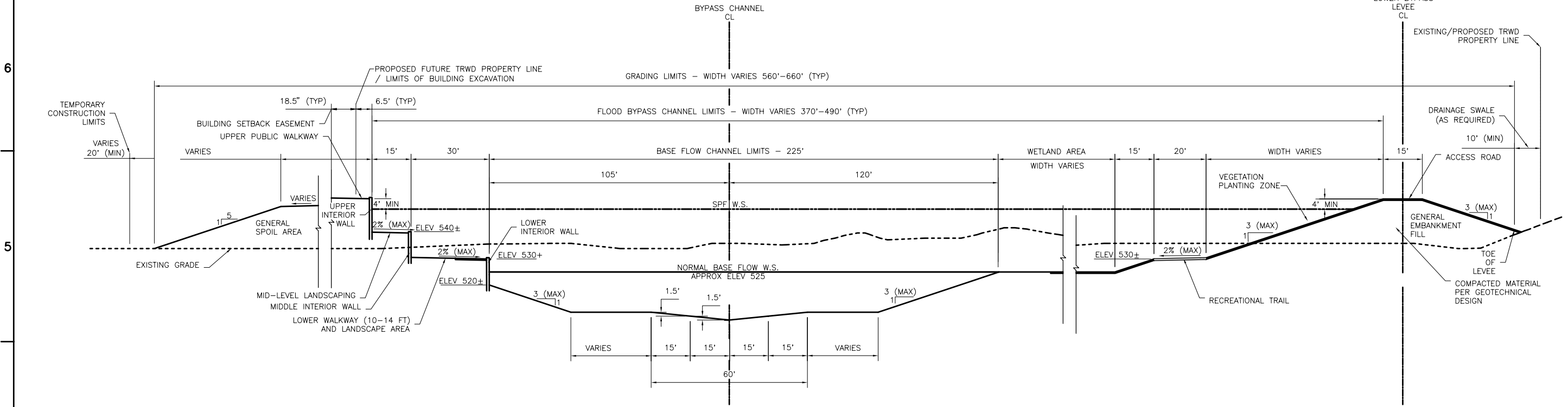
NOT FOR CONSTRUCTION

THIS DOCUMENT IS RELEASED FOR THE PURPOSE OF INTERIM REVIEW UNDER THE AUTHORITY OF DONALD R FUNDERLICH TEXAS NO: 61169 ON DATE: 01/13/2005 IT IS NOT TO BE USED FOR CONSTRUCTION, BIDDING OR PERMIT PURPOSES.

DESIGN FILE: DRAWING NAME

Contr. No.

A B C D E F G H



BYPASS CHANNEL, BULGE - TYPICAL SECTION STA 21+54 TO STA 35+00

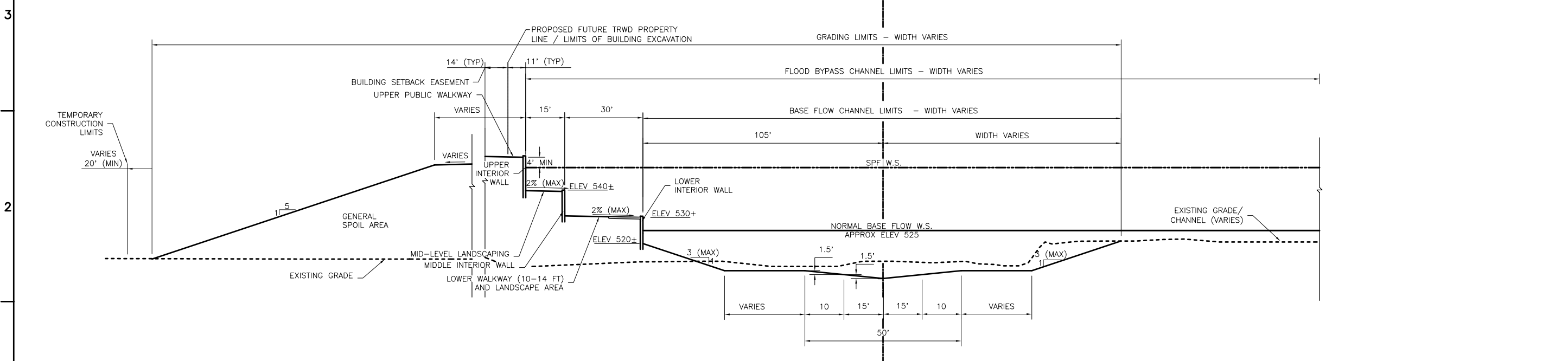
SECTION 3
NTS

- NOTES:
1. TYPICAL SECTION STATION RANGES ARE INTENDED TO REFLECT THE MOST APPLICABLE TYPICAL SECTION FOR THE AREA STATED. ACTUAL CROSS SECTIONS MAY VARY.
 2. REFER TO DRAWINGS SB-1 TO SB-3 FOR RETAINING WALL DETAILS.

xx
xx
xx
xx
xx
xx

xx
xx
xx
xx
xx
xx

xx
xx
xx
xx
xx
xx



BYPASS CHANNEL, WEST FORK CONFLUENCE - TYPICAL SECTION STA 35+00 TO STA 43+25

SECTION 4
NTS

Date: JANUARY 2005	Soil No. XXXXX	Contr. No. XXXXXX	File name: xxxxx
Designed by: D. FLUNDERLIC	Dwn by: J. PRANGE	Reviewed by: M. OLESON	Submitted by: NAME
TARRANT REGIONAL WATER DISTRICT			
CDM			

TARRANT REGIONAL WATER DISTRICT	CDM
---------------------------------	-----

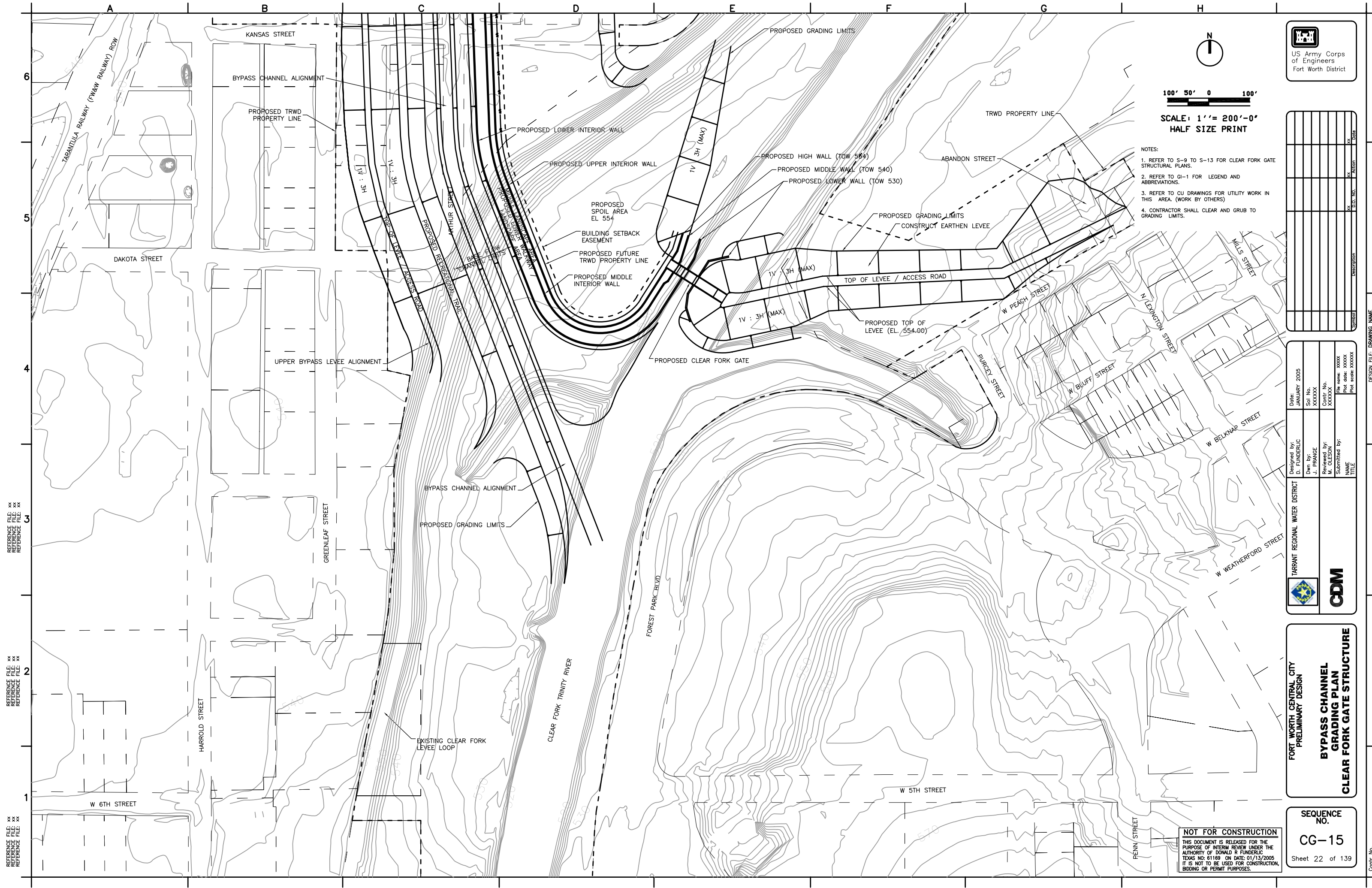
FORT WORTH CENTRAL CITY
PRELIMINARY DESIGN
**BYPASS CHANNEL
TYPICAL SECTIONS
SHEET 2 OF 3**

SEQUENCE NO.
CG-12
Sheet 19 of 139

NOT FOR CONSTRUCTION
THIS DOCUMENT IS RELEASED FOR THE PURPOSE OF INTERIM REVIEW UNDER THE AUTHORITY OF DONALD R FLUNDERLIC TEXAS NO: 61169 ON DATE: 01/13/2005 IT IS NOT TO BE USED FOR CONSTRUCTION, BIDDING OR PERMIT PURPOSES.

DESIGN FILE: DRAWING NAME

Contr. No.



100' 50' 0 100'
SCALE: 1" = 200'-0"
HALF SIZE PRINT

- NOTES:
1. REFER TO S-9 TO S-13 FOR CLEAR FORK GATE STRUCTURAL PLANS.
 2. REFER TO GI-1 FOR LEGEND AND ABBREVIATIONS.
 3. REFER TO CU DRAWINGS FOR UTILITY WORK IN THIS AREA (WORK BY OTHERS)
 4. CONTRACTOR SHALL CLEAR AND GRUB TO GRADING LIMITS.



Symbol	Description	D.O. No.	Action	Date

REFERENCE FILE: XX
 REFERENCE FILE: XX
 REFERENCE FILE: XX

REFERENCE FILE: XX
 REFERENCE FILE: XX
 REFERENCE FILE: XX

REFERENCE FILE: XX
 REFERENCE FILE: XX
 REFERENCE FILE: XX

Designed by: D. FLUNDERIC	Date: JANUARY 2005
Dwn by: J. PRANGE	Soi No. XXXXXX
Reviewed by: M. OLESON	Contr. No. XXXXXX
Submitted by: NAME	File name: XXXXX Plot date: XXXXX Plot scale: XXXXXX
TARRANT REGIONAL WATER DISTRICT	

**FORT WORTH CENTRAL CITY
 PRELIMINARY DESIGN**

**BYPASS CHANNEL
 GRADING PLAN**

CLEAR FORK GATE STRUCTURE

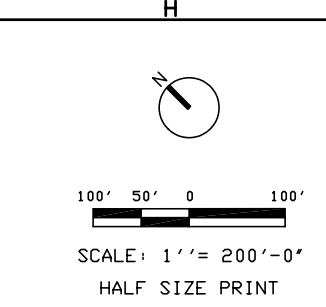
SEQUENCE NO.
CG-15

Sheet 22 of 139

NOT FOR CONSTRUCTION
 THIS DOCUMENT IS RELEASED FOR THE PURPOSE OF INTERIM REVIEW UNDER THE AUTHORITY OF DONALD R FLUNDERIC TEXAS NO: 61169 ON DATE: 01/13/2005 IT IS NOT TO BE USED FOR CONSTRUCTION, BIDDING OR PERMIT PURPOSES.

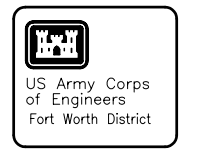
DESIGN FILE: DRAWING NAME

Contr. No.



SCALE: 1" = 200'-0"
 HALF SIZE PRINT

NOTES
 1. SEE DRAWING CU-VS-39 FOR UTILITIES



Symbol	Description	D.O. No.	Action	Date

Designed by: D. FUNDERLIC	Date: JANUARY 2005
Dwn by: J. PRANGE	Soi No. XXXXXX
Reviewed by: M. OLESON	Contr. No. XXXXXX
Submitted by: NAME TITLE	File name: XXXXX Plot date: XXXXX Plot scale: XXXXX

TARRANT REGIONAL WATER DISTRICT

CDM

FORT WORTH CENTRAL CITY
 PRELIMINARY DESIGN

**VALLEY STORAGE MITIGATION
 GRADING PLAN
 RIVERBEND - SITE XXXVIII**



KEY PLAN
 NTS

NOT FOR CONSTRUCTION
 THIS DOCUMENT IS RELEASED FOR THE PURPOSE OF INTERIM REVIEW UNDER THE AUTHORITY OF DONALD R FUNDERLIC TEXAS NO: 61169 ON DATE: 01/13/2005 IT IS NOT TO BE USED FOR CONSTRUCTION, BIDDING OR PERMIT PURPOSES.

SEQUENCE NO.
CG-18
 Sheet 25 of 139

REFERENCE FILE: XX
 REFERENCE FILE: XX
 REFERENCE FILE: XX

REFERENCE FILE: XX
 REFERENCE FILE: XX
 REFERENCE FILE: XX

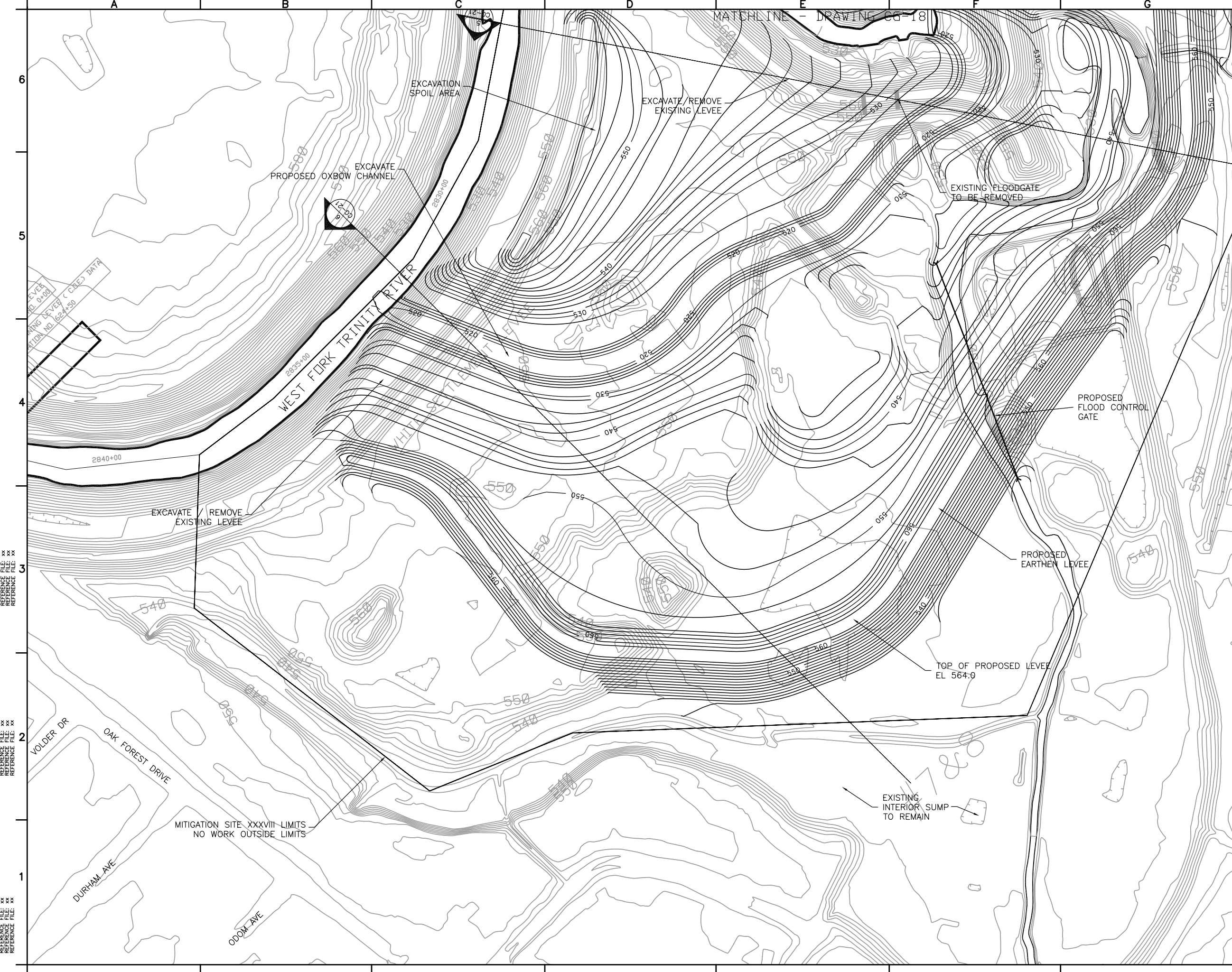
REFERENCE FILE: XX
 REFERENCE FILE: XX
 REFERENCE FILE: XX

MATCHLINE - DRAWINGS CG-17

MATCHLINE - DRAWING CG-19

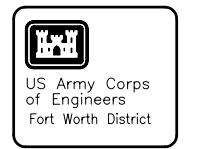
DESIGN FILE: DRAWING NAME

Contr. No.



100' 50' 0 100'
 SCALE: 1" = 200'-0"
 HALF-SIZE PRINT

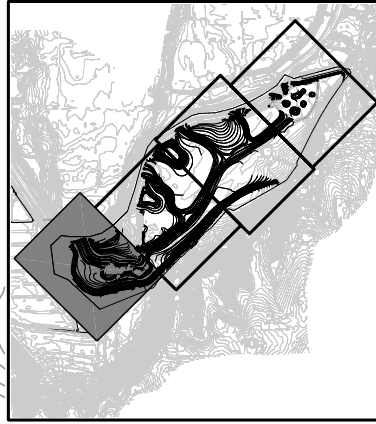
- NOTES
- SEE DRAWING CU-VS-39 FOR UTILITIES



Symbol	Description	D.O. No.	Action	Date

Designed by: D. FLUNDERIC	Date: JANUARY 2005
Dwn by: J. PRANGE	Soi No. XXXXXX
Reviewed by: M. OLESON	Contr. No. XXXXXX
Submitted by: NAME	File name: XXXXX Plot date: XXXXX Plot scale: XXXXX

TARRANT REGIONAL WATER DISTRICT



KEY PLAN
 NTS

NOT FOR CONSTRUCTION
 THIS DOCUMENT IS RELEASED FOR THE PURPOSE OF INTERIM REVIEW UNDER THE AUTHORITY OF DONALD R FLUNDERIC TEXAS NO: 61169 ON DATE: 01/13/2005 IT IS NOT TO BE USED FOR CONSTRUCTION, BIDDING OR PERMIT PURPOSES.

FORT WORTH CENTRAL CITY PRELIMINARY DESIGN
VALLEY STORAGE MITIGATION GRADING PLAN
RIVERBEND - SITE XXXVIII

SEQUENCE NO.
CG-19
 Sheet 26 of 139

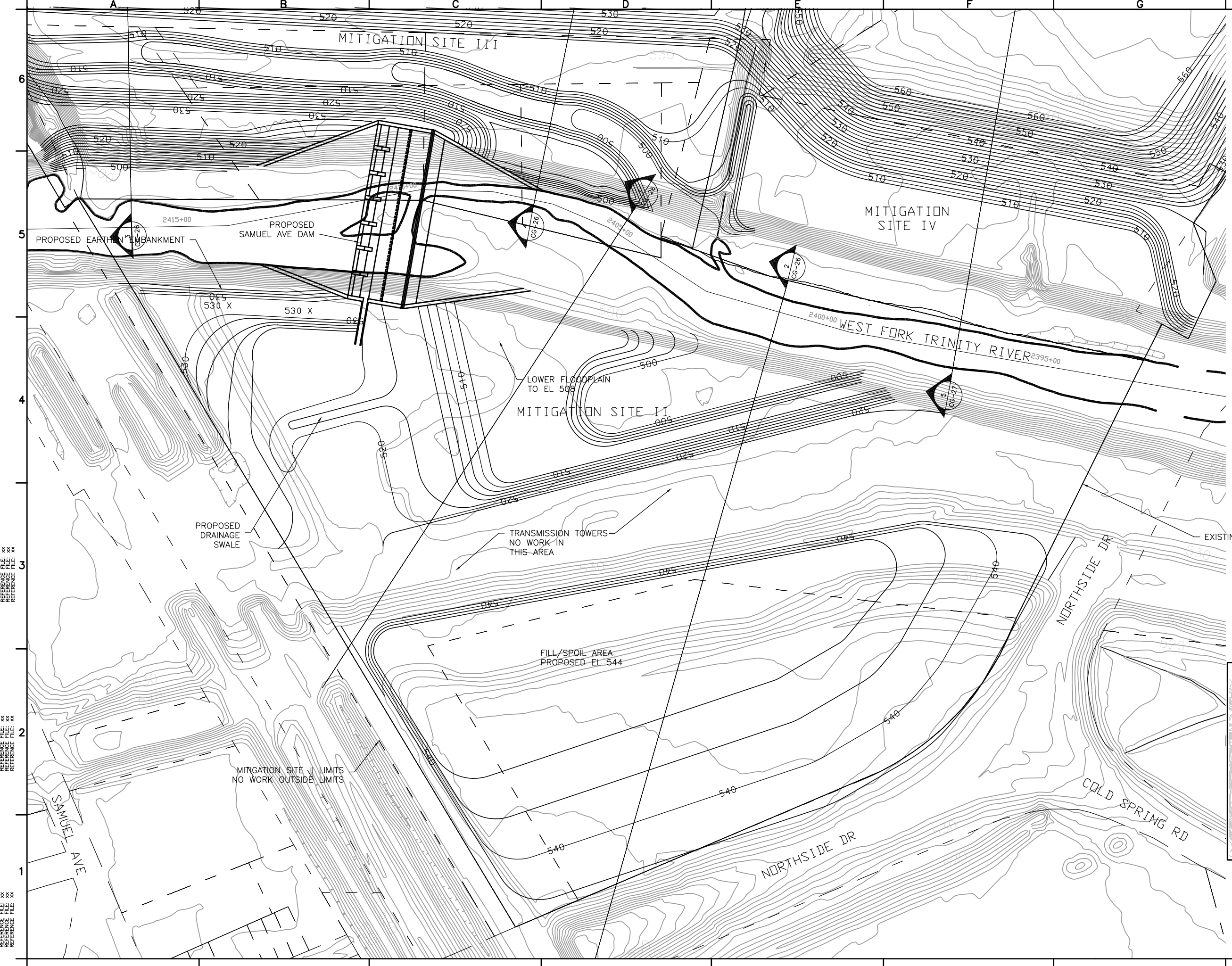
REFERENCE FILE: XX
 REFERENCE FILE: XX
 REFERENCE FILE: XX

REFERENCE FILE: XX
 REFERENCE FILE: XX
 REFERENCE FILE: XX

REFERENCE FILE: XX
 REFERENCE FILE: XX
 REFERENCE FILE: XX

DESIGN FILE: DRAWING NAME

Contr. No.



N

100' 50' 0 100'

SCALE: 1" = 200'-0"
HALF SIZE PRINT

- NOTES
- SEE DRAWING CG-23 FOR VALLEY STORAGE MITIGATION SITE III & IV GRADING
 - SEE DRAWING CU-VS-41 FOR UTILITIES



Symbol	Description	D.O. No.	Action	Date

REFERENCE FILE: XX
REFERENCE FILE: XX
REFERENCE FILE: XX

REFERENCE FILE: XX
REFERENCE FILE: XX
REFERENCE FILE: XX

REFERENCE FILE: XX
REFERENCE FILE: XX
REFERENCE FILE: XX

DESIGNED BY: D. FLUNDERLIC	DATE: JANUARY 2005
DRAWN BY: J. PRANGE	SOL. NO.:
REVIEWED BY: M. OLESON	CONTR. NO.:
SUBMITTED BY:	FILE NAME:
NAME:	PLOT DATE:
TITLE:	PLOT SCALE:

TARRANT REGIONAL WATER DISTRICT

FORT WORTH CENTRAL CITY PRELIMINARY DESIGN

VALLEY STORAGE MITIGATION GRADING PLAN DOWNSTREAM - SITE II

SEQUENCE NO.
CG-22

Sheet 29 of 139

N

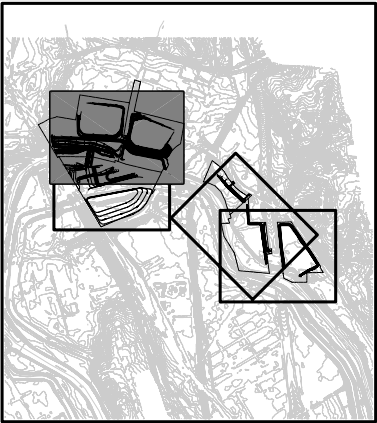
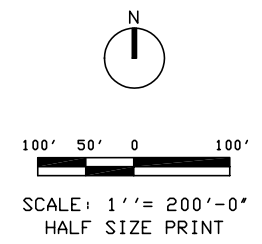
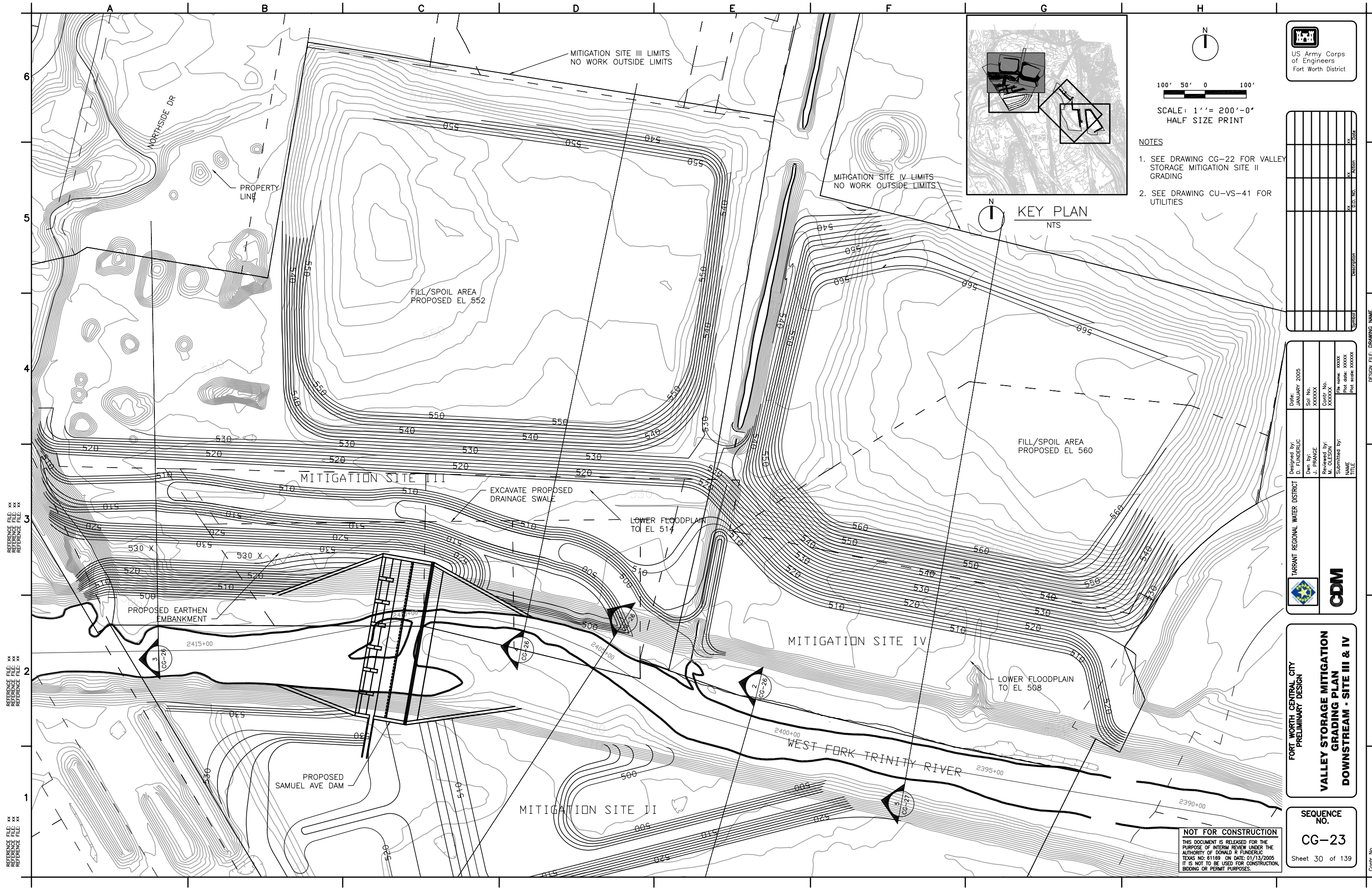
KEY PLAN
NTS

NOT FOR CONSTRUCTION

THIS DOCUMENT IS RELEASED FOR THE PURPOSE OF INTERIM REVIEW UNDER THE AUTHORITY OF DONALD R. FLUNDERLIC, TEXAS NO. 61169, ON DATE: 01/13/2005. IT IS NOT TO BE USED FOR CONSTRUCTION, BIDDING OR PERMIT PURPOSES.

DESIGN FILE: DRAWING NAME

Contr. No.



- NOTES
1. SEE DRAWING CG-22 FOR VALLEY STORAGE MITIGATION SITE II GRADING
 2. SEE DRAWING CU-VS-41 FOR UTILITIES

Symbol	Description	D.O. No.	Action	Date

Date: JANUARY 2005	Designed by: D. FLUNDERLIC	Drawn by: J. PRANGE	Reviewed by: M. OLESON	Submitted by: NAME	File name: xxxxx	Plot date: xxxxxx	Plot scale: xxxxxx

TARRANT REGIONAL WATER DISTRICT

FORT WORTH CENTRAL CITY
PRELIMINARY DESIGN

**VALLEY STORAGE MITIGATION
GRADING PLAN
DOWNSTREAM - SITE III & IV**

SEQUENCE NO.
CG-23

Sheet 30 of 139

NOT FOR CONSTRUCTION
THIS DOCUMENT IS RELEASED FOR THE PURPOSE OF INTERIM REVIEW UNDER THE AUTHORITY OF DONALD R FLUNDERLIC TEXAS NO: 61169 ON DATE: 01/13/2005 IT IS NOT TO BE USED FOR CONSTRUCTION, BIDDING OR PERMIT PURPOSES.

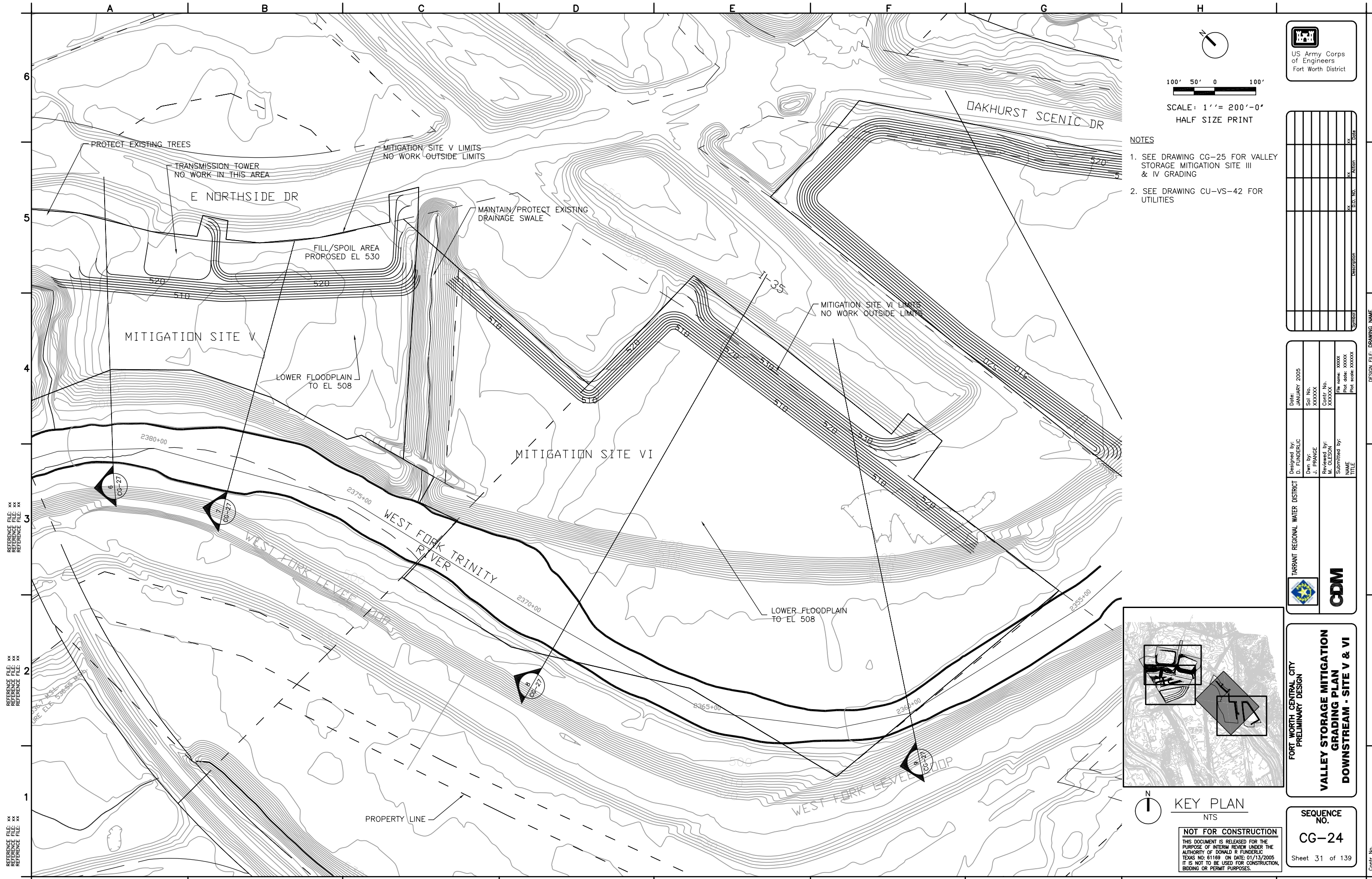
REFERENCE FILE: xx
REFERENCE FILE: xx
REFERENCE FILE: xx

REFERENCE FILE: xx
REFERENCE FILE: xx
REFERENCE FILE: xx

REFERENCE FILE: xx
REFERENCE FILE: xx
REFERENCE FILE: xx

DESIGN FILE: DRAWING NAME

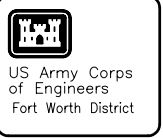
Contr. No.



SCALE: 1" = 200'-0"
HALF SIZE PRINT

NOTES

- SEE DRAWING CG-25 FOR VALLEY STORAGE MITIGATION SITE III & IV GRADING
- SEE DRAWING CU-VS-42 FOR UTILITIES



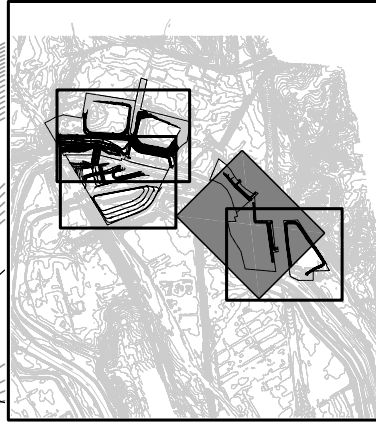
Symbol	Description	D.O. No.	Action	Date

DESIGNED BY: D. FUNDERLIC	DATE: JANUARY 2005
DRAWN BY: J. PRANGE	SOL. NO. XXXXX
REVIEWED BY: M. OLESON	CONTR. NO. XXXXX
SUBMITTED BY: NAME TITLE	FILE NAME: XXXXX PLOT DATE: XXXXX PLOT SCALE: XXXXX

TARRANT REGIONAL WATER DISTRICT

FORT WORTH CENTRAL CITY
PRELIMINARY DESIGN

**VALLEY STORAGE MITIGATION
GRADING PLAN
DOWNSTREAM - SITE V & VI**



KEY PLAN
NTS

NOT FOR CONSTRUCTION
THIS DOCUMENT IS RELEASED FOR THE PURPOSE OF INTERIM REVIEW UNDER THE AUTHORITY OF DONALD R FUNDERLIC TEXAS NO: 61169 ON DATE: 01/13/2005 IT IS NOT TO BE USED FOR CONSTRUCTION, BIDDING OR PERMIT PURPOSES.

SEQUENCE NO.
CG-24
Sheet 31 of 139

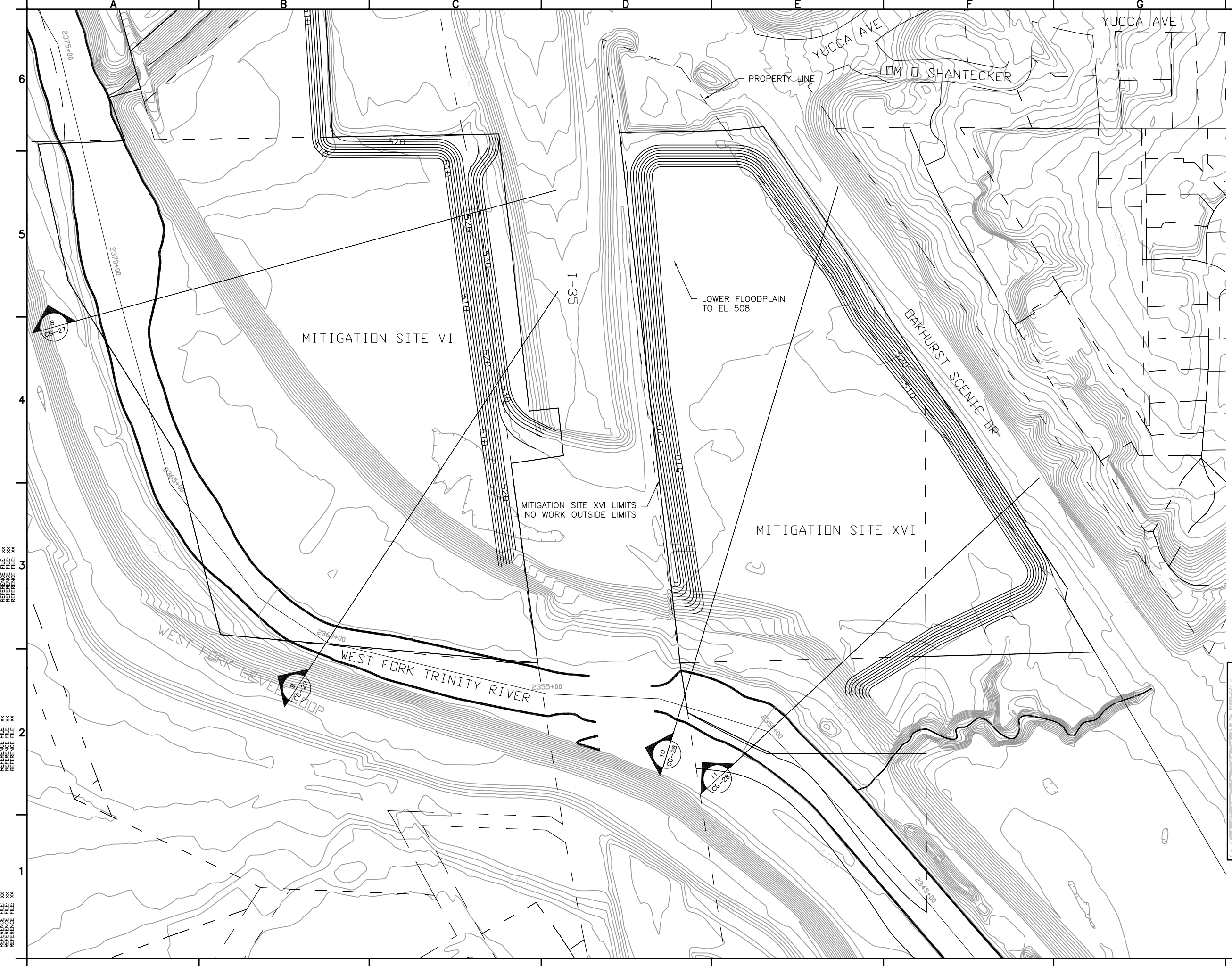
REFERENCE FILE: XX
REFERENCE FILE: XX
REFERENCE FILE: XX

REFERENCE FILE: XX
REFERENCE FILE: XX
REFERENCE FILE: XX

REFERENCE FILE: XX
REFERENCE FILE: XX
REFERENCE FILE: XX

DESIGN FILE: DRAWING NAME

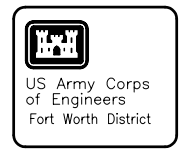
Contr. No.



N

100' 50' 0 100'

SCALE: 1" = 200'-0"
HALF SIZE PRINT



- NOTES
- SEE DRAWING CG-24 FOR VALLEY STORAGE MITIGATION SITE V & VI GRADING
 - SEE DRAWING CU-VS-42 FOR UTILITIES

Symbol	Description	D.O. No.	Action	Date

REFERENCE FILE: XX
REFERENCE FILE: XX
REFERENCE FILE: XX

REFERENCE FILE: XX
REFERENCE FILE: XX
REFERENCE FILE: XX

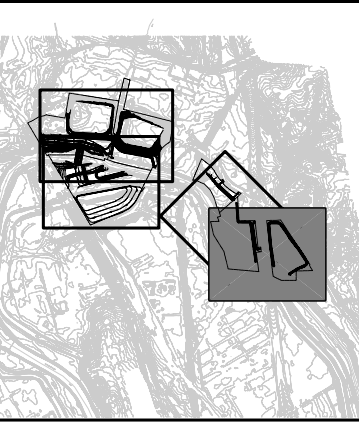
REFERENCE FILE: XX
REFERENCE FILE: XX
REFERENCE FILE: XX

Designed by: D. FLUNDERIC	Date: JANUARY 2005
Dwn by: J. PRANGE	Soi No. XXXXXX
Reviewed by: M. OLESON	Contr. No. XXXXXX
Submitted by: NAME TITLE	File name: XXXXX Plot date: XXXXXX Plot scale: XXXXXX

TARRANT REGIONAL WATER DISTRICT

FORT WORTH CENTRAL CITY
PRELIMINARY DESIGN

**VALLEY STORAGE MITIGATION
GRADING PLAN
DOWNSTREAM - SITE XVI**



N

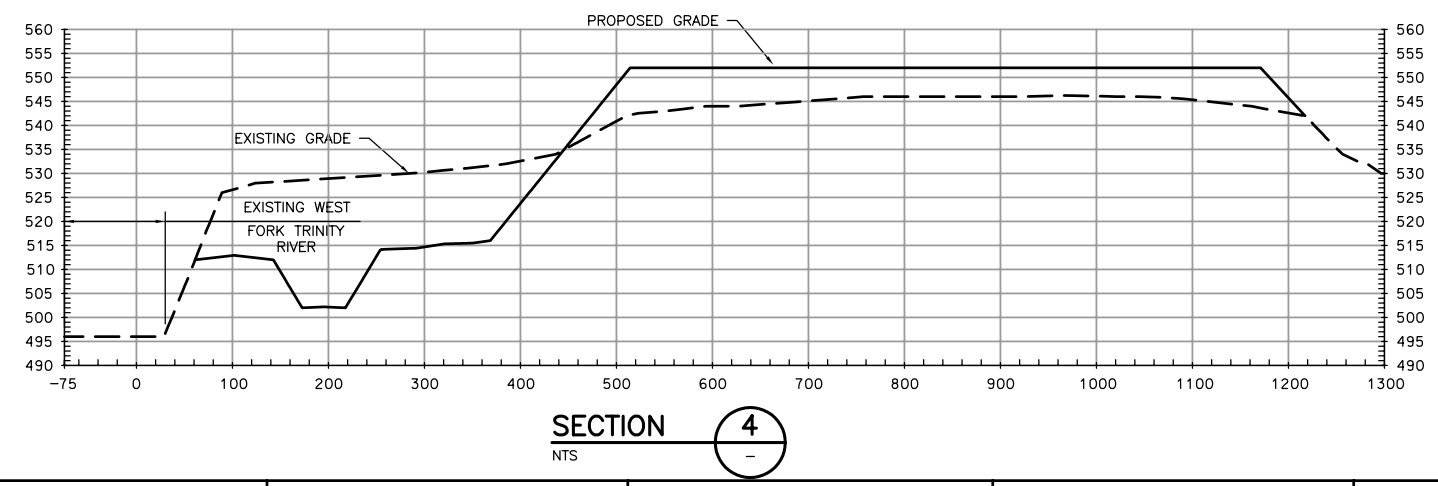
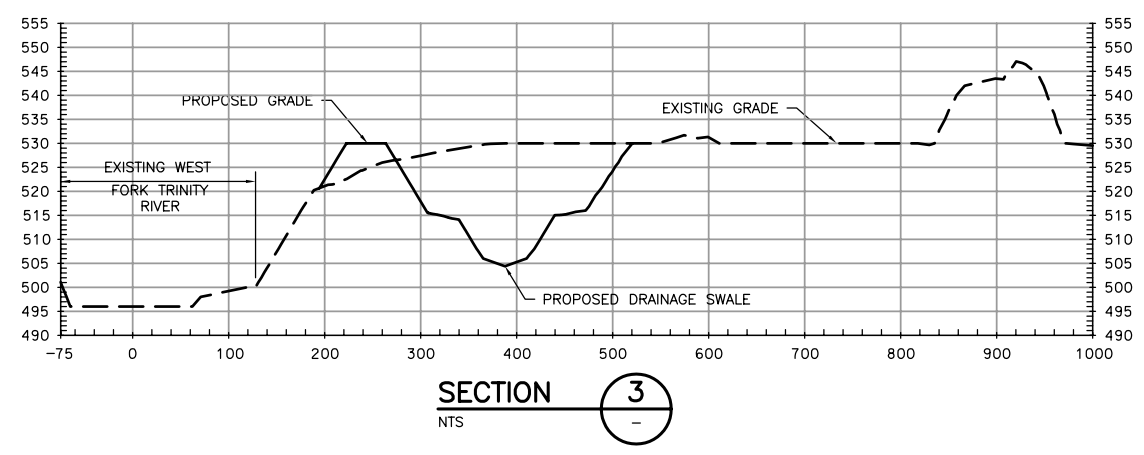
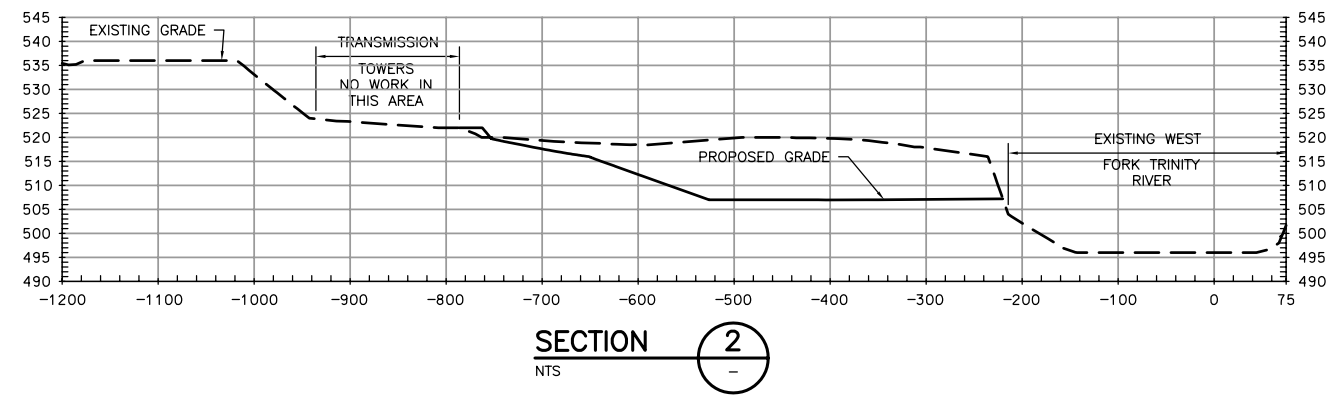
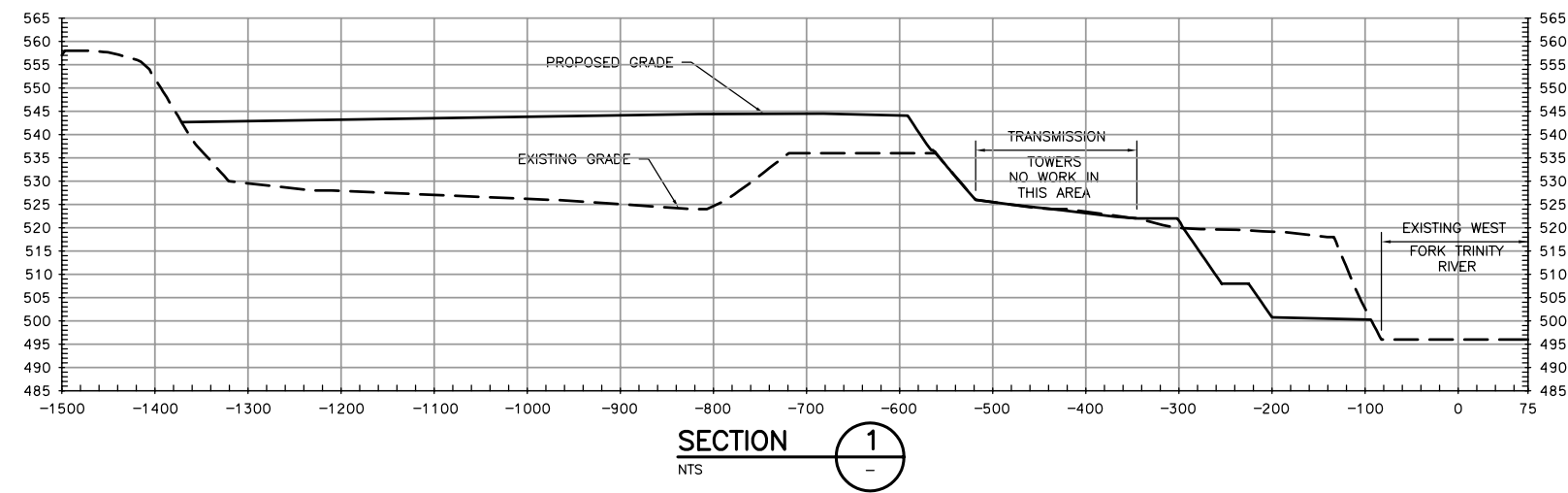
KEY PLAN
NTS

NOT FOR CONSTRUCTION
THIS DOCUMENT IS RELEASED FOR THE PURPOSE OF INTERIM REVIEW UNDER THE AUTHORITY OF DONALD R FLUNDERIC TEXAS NO: 61169 ON DATE: 01/13/2005 IT IS NOT TO BE USED FOR CONSTRUCTION, BIDDING OR PERMIT PURPOSES.

SEQUENCE NO.
CG-25
Sheet 32 of 139

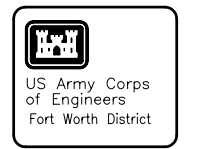
DESIGN FILE: DRAWING NAME

Contr. No.



SCALE
 HORIZ: 1" = 100'
 VERT: 1" = 20'

NOTES
 1. EXISTING GRADE SHOWN WITHIN WEST FORK TRINITY RIVER LIMITS DOES NOT REFLECT ACTUAL CHANNEL BOTTOM.



Symbol	Description	D.O. No.	Action	Date

Designed by: D. FUNDERLIC	Date: JANUARY 2005
Dwn by: J. PRANGE	Soi No. XXXXXX
Reviewed by: M. OLESON	Contr. No. XXXXXX
Submitted by: NAME	File name: xxxxx
TARRANT REGIONAL WATER DISTRICT	TITLE
	Plot scale: xxxxxx

FORT WORTH CENTRAL CITY
 PRELIMINARY DESIGN
**VALLEY STORAGE MITIGATION
 CROSS SECTIONS
 DOWNSTREAM SITES**

SEQUENCE NO.
CG-26
 Sheet 33 of 139

NOT FOR CONSTRUCTION
 THIS DOCUMENT IS RELEASED FOR THE PURPOSE OF INTERIM REVIEW UNDER THE AUTHORITY OF DONALD R FUNDERLIC TEXAS NO: 61169 ON DATE: 01/13/2005 IT IS NOT TO BE USED FOR CONSTRUCTION, BIDDING OR PERMIT PURPOSES.

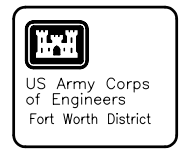
REFERENCE FILE: xx
 REFERENCE FILE: xx
 REFERENCE FILE: xx

REFERENCE FILE: xx
 REFERENCE FILE: xx
 REFERENCE FILE: xx

REFERENCE FILE: xx
 REFERENCE FILE: xx
 REFERENCE FILE: xx

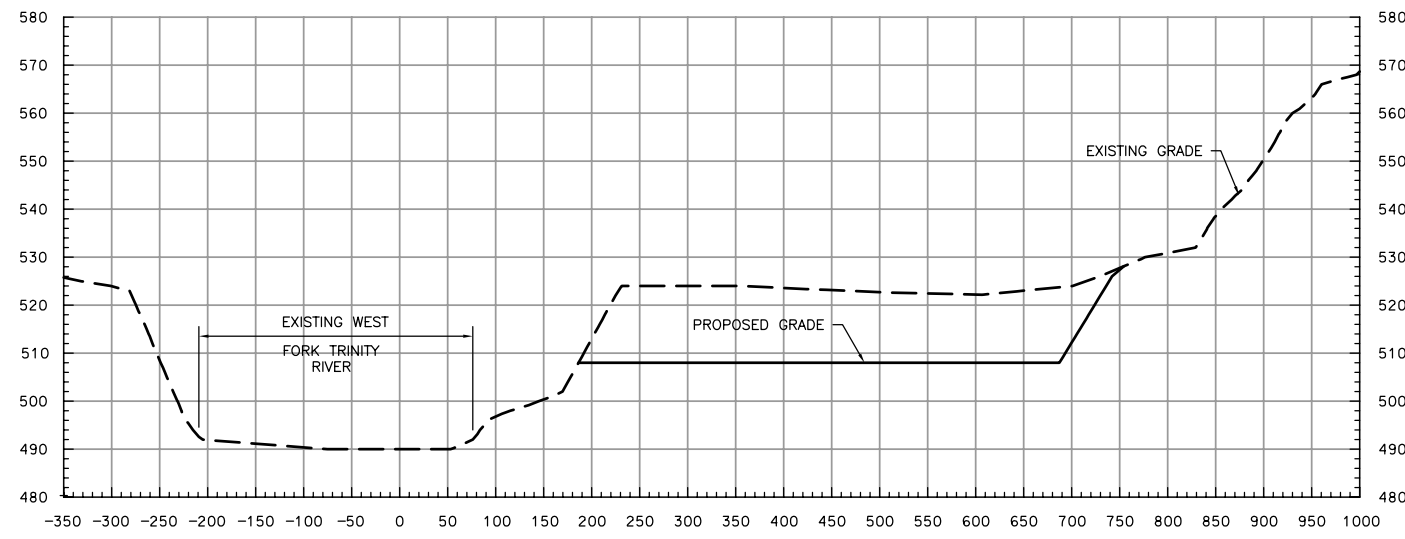
DESIGN FILE: DRAWING NAME

Contr. No.

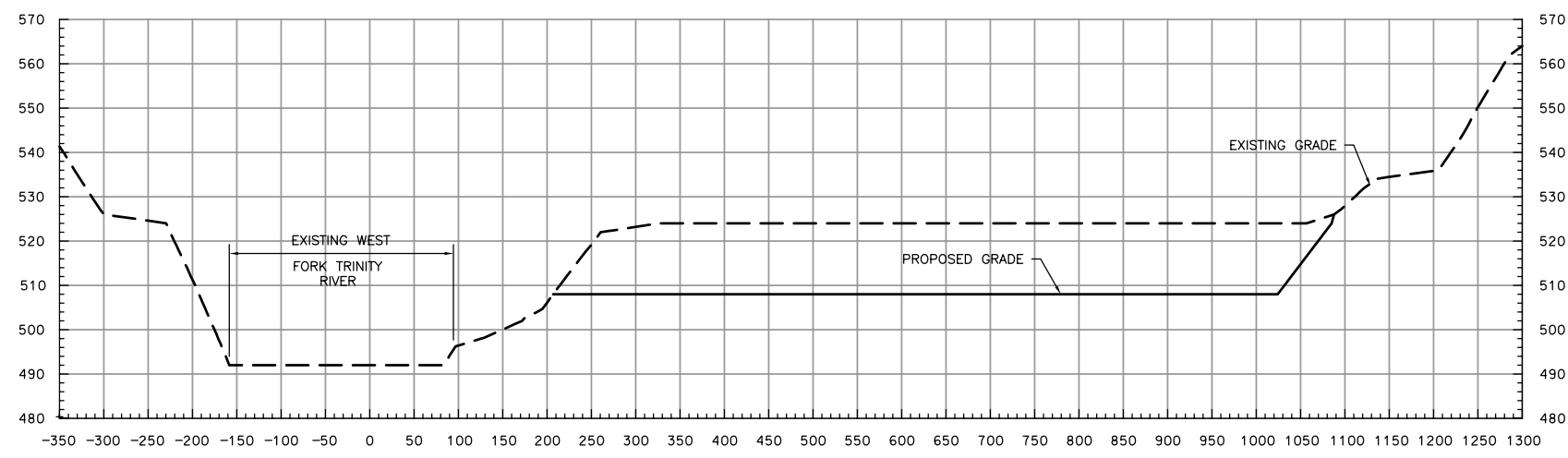


SCALE
 HORIZ: 1" = 100'
 VERT: 1" = 20'

NOTES
 1. EXISTING GRADE SHOWN WITHIN WEST FORK TRINITY RIVER LIMITS DOES NOT REFLECT ACTUAL CHANNEL BOTTOM.



SECTION 10
 NTS



SECTION 11
 NTS

REFERENCE FILE: XX
 REFERENCE FILE: XX
 REFERENCE FILE: XX
 REFERENCE FILE: XX

REFERENCE FILE: XX
 REFERENCE FILE: XX
 REFERENCE FILE: XX
 REFERENCE FILE: XX

REFERENCE FILE: XX
 REFERENCE FILE: XX
 REFERENCE FILE: XX
 REFERENCE FILE: XX

Symbol	Description	D.O. No.	Action	Date

Designed by: D. FUNDERLIC	Date: JANUARY 2005
Dwn by: J. PRANGE	Soi No. XXXXXX
Reviewed by: M. OLESON	Contr. No. XXXXXX
Submitted by: NAME TITLE	File name: XXXXX Plot scale: XXXXXX

TARRANT REGIONAL WATER DISTRICT

CDM

FORT WORTH CENTRAL CITY
 PRELIMINARY DESIGN

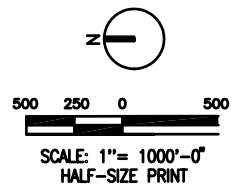
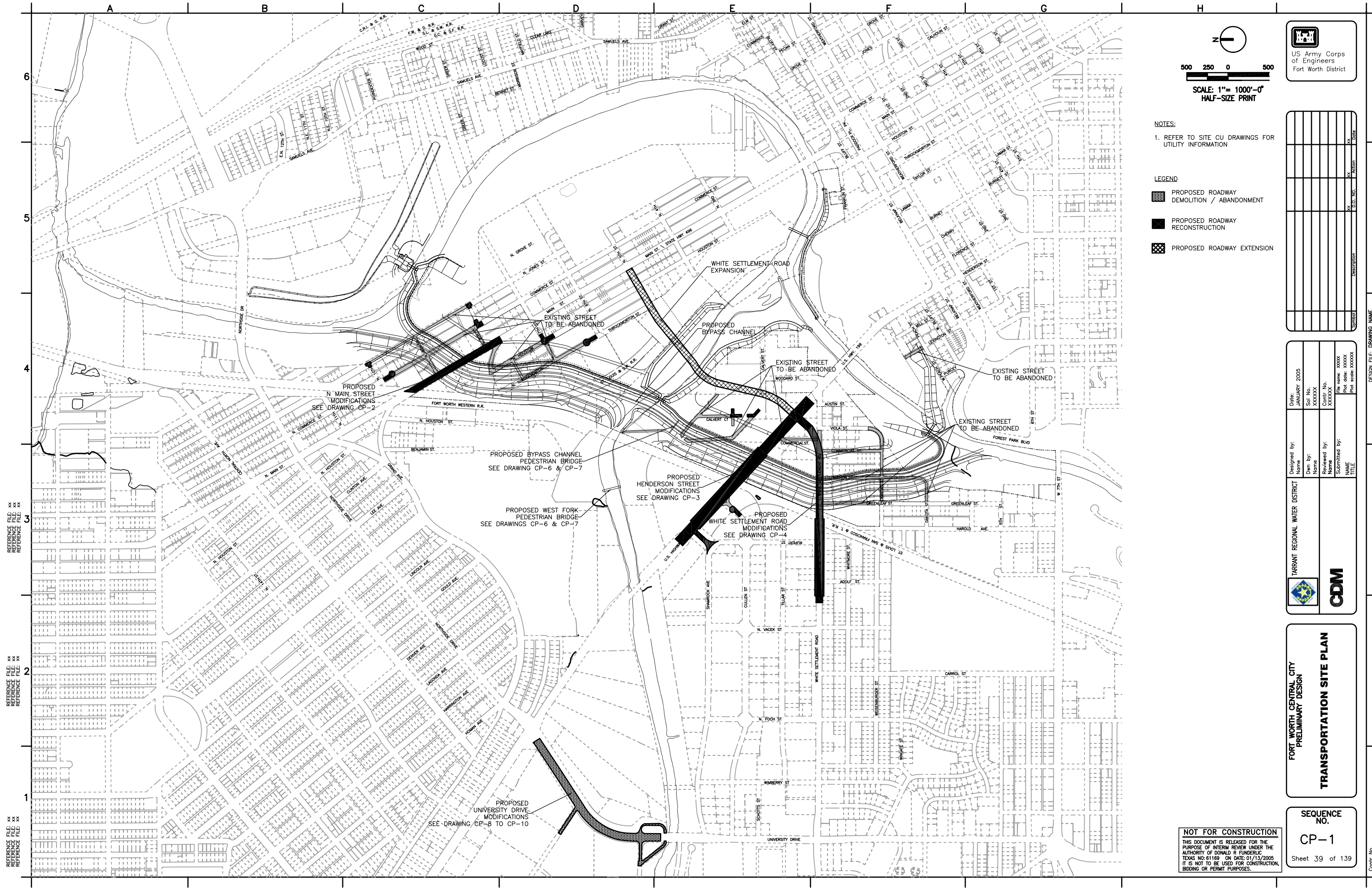
**VALLEY STORAGE MITIGATION
 CROSS SECTIONS
 DOWNSTREAM SITES**

SEQUENCE NO.
CG-28
 Sheet 35 of 139

NOT FOR CONSTRUCTION
 THIS DOCUMENT IS RELEASED FOR THE PURPOSE OF INTERIM REVIEW UNDER THE AUTHORITY OF DONALD R FUNDERLIC, TEXAS NO: 61169 ON DATE: 01/13/2005. IT IS NOT TO BE USED FOR CONSTRUCTION, BIDDING OR PERMIT PURPOSES.

DESIGN FILE: DRAWING NAME

Contr. No.



US Army Corps of Engineers
Fort Worth District

NOTES:
1. REFER TO SITE CU DRAWINGS FOR UTILITY INFORMATION

- LEGEND
- PROPOSED ROADWAY DEMOLITION / ABANDONMENT
 - PROPOSED ROADWAY RECONSTRUCTION
 - PROPOSED ROADWAY EXTENSION

Symbol	Description	D.O. No.	Action	Date

REFERENCE FILE: XX
REFERENCE FILE: XX
REFERENCE FILE: XX

REFERENCE FILE: XX
REFERENCE FILE: XX
REFERENCE FILE: XX

REFERENCE FILE: XX
REFERENCE FILE: XX
REFERENCE FILE: XX

Designed by: Name	Date: JANUARY 2005
Dwn by: Name	Soi No: XXXXXX
Reviewed by: Name	Contr. No: XXXXXX
Submitted by: NAME TITLE	File name: XXXXX Plot scale: XXXXXX
TARRANT REGIONAL WATER DISTRICT	

**FORT WORTH CENTRAL CITY
PRELIMINARY DESIGN**

TRANSPORTATION SITE PLAN

SEQUENCE NO.
CP-1

Sheet 39 of 139

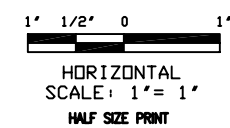
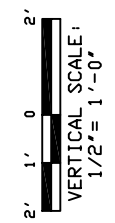
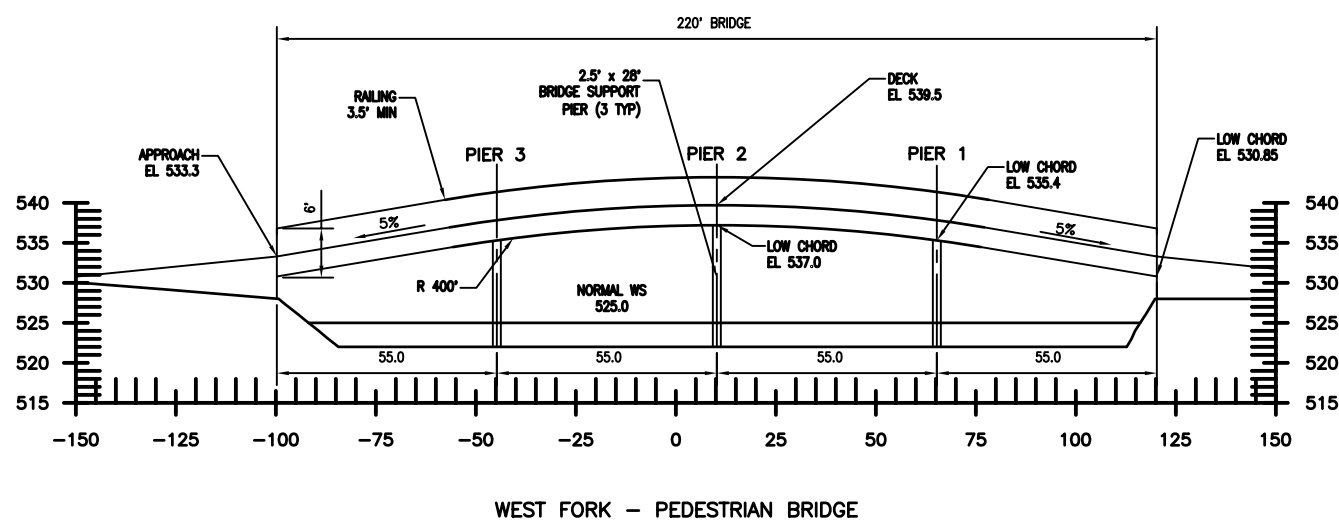
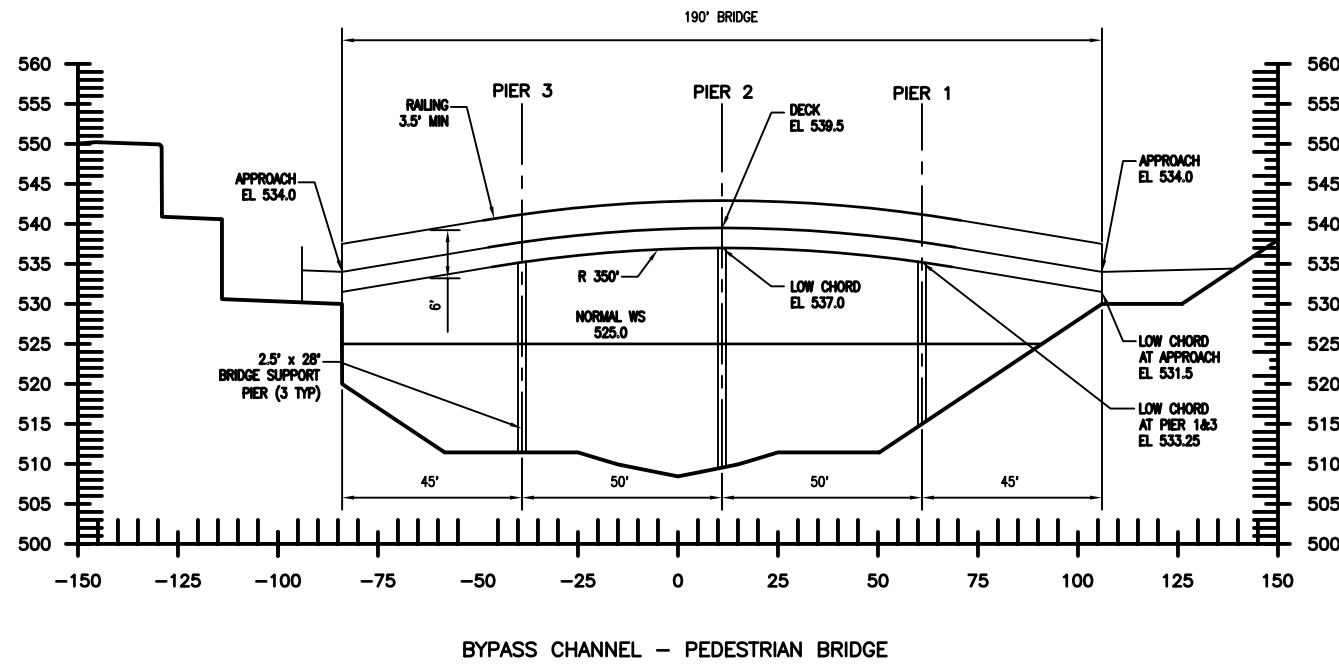
NOT FOR CONSTRUCTION
THIS DOCUMENT IS RELEASED FOR THE PURPOSE OF INTERIM REVIEW UNDER THE AUTHORITY OF DONALD R. FUNDERLIC, TEXAS NO: 61169 ON DATE: 01/13/2005. IT IS NOT TO BE USED FOR CONSTRUCTION, BIDDING OR PERMIT PURPOSES.

DESIGN FILE: DRAWING NAME

Contr. No.



US Army Corps of Engineers
Fort Worth District



NOT FOR CONSTRUCTION
THIS DOCUMENT IS RELEASED FOR THE PURPOSE OF INTERIM REVIEW UNDER THE AUTHORITY OF WILLIAM C. SHERMAN TEXAS NO: 68207 ON DATE: 01/05/05 IT IS NOT TO BE USED FOR CONSTRUCTION, BIDDING OR PERMIT PURPOSES.

Symbol	Description	D.O. No.	Action	Date

Designed by: Name: CDM	Date: JANUARY 2005
Drawn by: Name: CDM	Soi No: XXXXXX
Reviewed by: Name: M. OLESON	Contr. No: XXXXXX
Submitted by: Name: D. FUNDERLIC TITLE: CIVIL ENGINEER	File name: XXXXX Plot date: XXXXX Plot scale: XXXXX

TARRANT REGIONAL WATER DISTRICT

FORT WORTH CENTRAL CITY
PRELIMINARY DESIGN
**PEDESTRIAN BRIDGE
PROFILES**

SEQUENCE NO.
CP-6
Sheet 44 of 139

REFERENCE FILE: XX
REFERENCE FILE: XX
REFERENCE FILE: XX

REFERENCE FILE: XX
REFERENCE FILE: XX
REFERENCE FILE: XX

REFERENCE FILE: XX
REFERENCE FILE: XX
REFERENCE FILE: XX

6

5

4

3

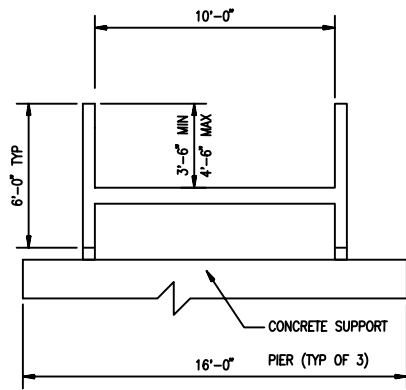
2

1

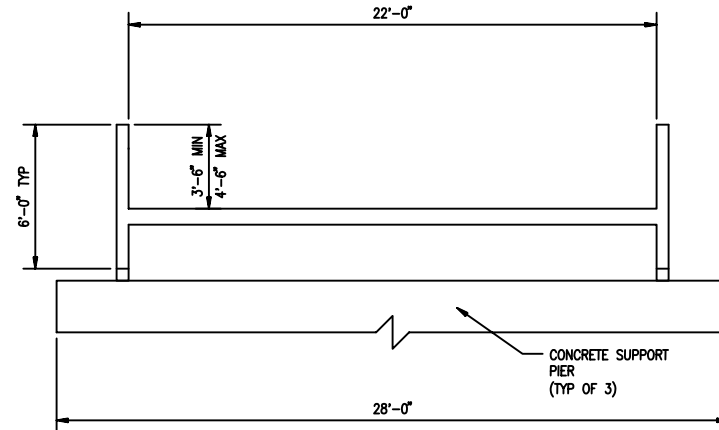
REFERENCE FILE: XX
 REFERENCE FILE: XX
 REFERENCE FILE: XX

REFERENCE FILE: XX
 REFERENCE FILE: XX
 REFERENCE FILE: XX

REFERENCE FILE: XX
 REFERENCE FILE: XX
 REFERENCE FILE: XX



**SECTION AT PEDESTRIAN BRIDGE
 AT BYPASS CHANNEL**
 1/4" = 1'-0"



**SECTION AT PEDESTRIAN BRIDGE
 AT WEST FORK TRINITY RIVER**
 1/4" = 1'-0"



US Army Corps
 of Engineers
 Fort Worth District

Symbol	Description	D.O. No.	Action	Date

Designed by: Name: CDM	Date: JANUARY 2005
Dwn. by: Name: CDM	Soi. No. XXXXXX
Reviewed by: Name: W. SHERMAN	Contr. No. XXXXXX
Submitted by: NAME: D. FUNDERLIC TITLE: CIVIL ENGINEER	File name: XXXX Plot date: XXXXX Plot scale: XXXXX

TARRANT REGIONAL WATER DISTRICT

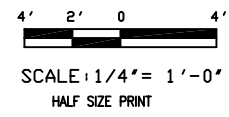
FORT WORTH CENTRAL CITY
 PRELIMINARY DESIGN

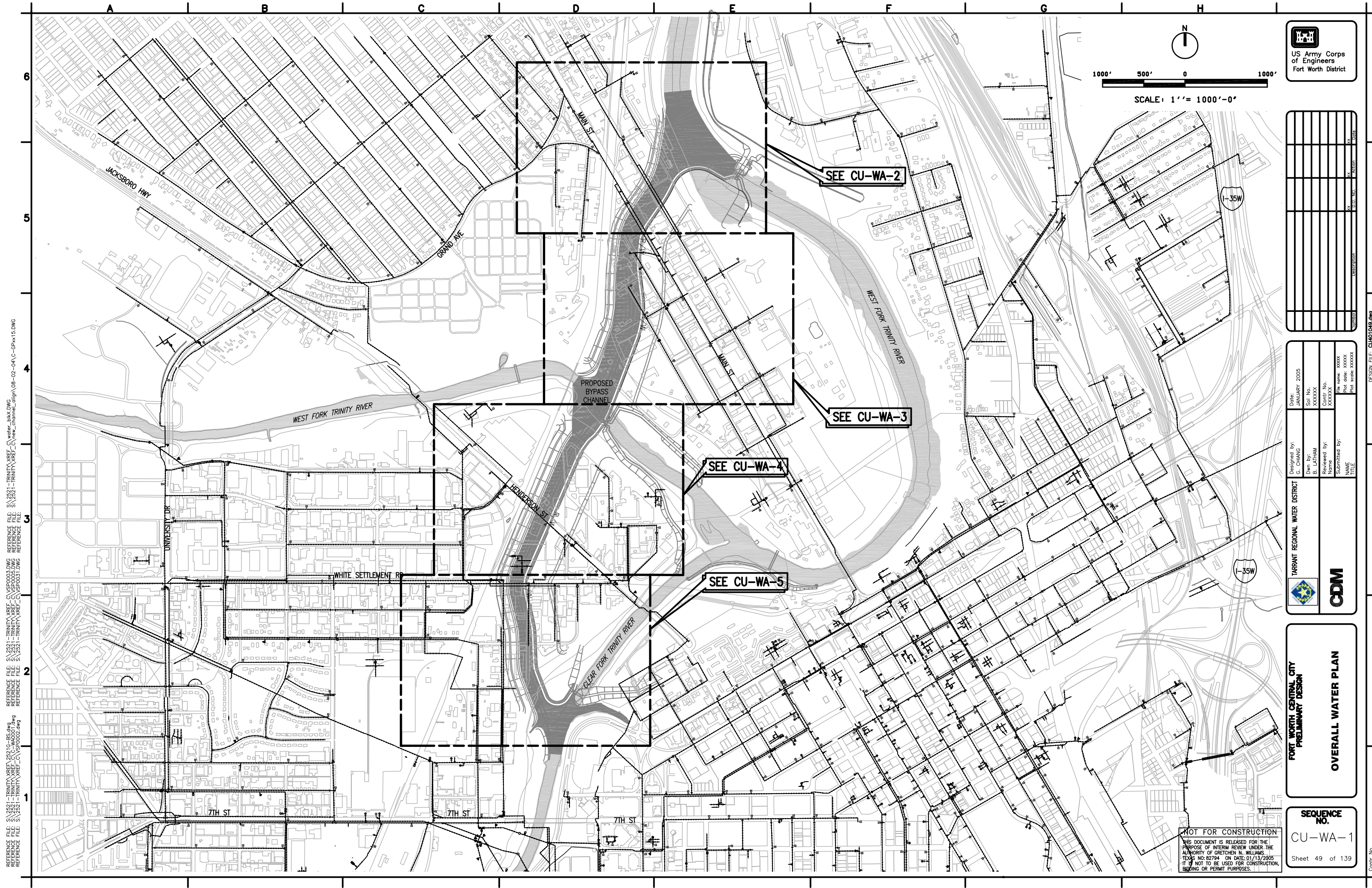
**PEDESTRIAN BRIDGE
 SECTIONS**

**SEQUENCE
 NO.**

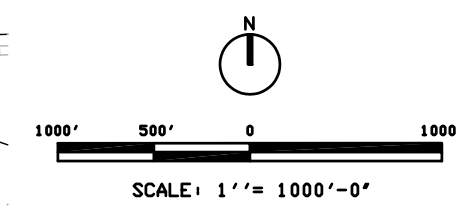
CP-7

Sheet 45 of 139






S:\2521-TRINITY\REF\0591C-BS.dwg REFERENCE FILE: S:\2521-TRINITY\REF\C:\SP0003.DWG REFERENCE FILE: S:\2521-TRINITY\REF\C:\SP0003.DWG
 S:\2521-TRINITY\REF\C:\SP0003.DWG REFERENCE FILE: S:\2521-TRINITY\REF\C:\SP0003.DWG REFERENCE FILE: S:\2521-TRINITY\REF\C:\SP0003.DWG
 S:\2521-TRINITY\REF\C:\SP0003.DWG REFERENCE FILE: S:\2521-TRINITY\REF\C:\SP0003.DWG REFERENCE FILE: S:\2521-TRINITY\REF\C:\SP0003.DWG
 S:\2521-TRINITY\REF\C:\SP0003.DWG REFERENCE FILE: S:\2521-TRINITY\REF\C:\SP0003.DWG REFERENCE FILE: S:\2521-TRINITY\REF\C:\SP0003.DWG



TARRANT REGIONAL WATER DISTRICT	
Designed by: G. CHANG	Date: JANUARY 2005
Dwn. by: B. LATHAM	Sci. No.: XXXXXX
Reviewed by: Name	Contr. No.: XXXXXX
Submitted by: NAME	File name: XXXXX
TITLE	Plot scale: XXXXXX

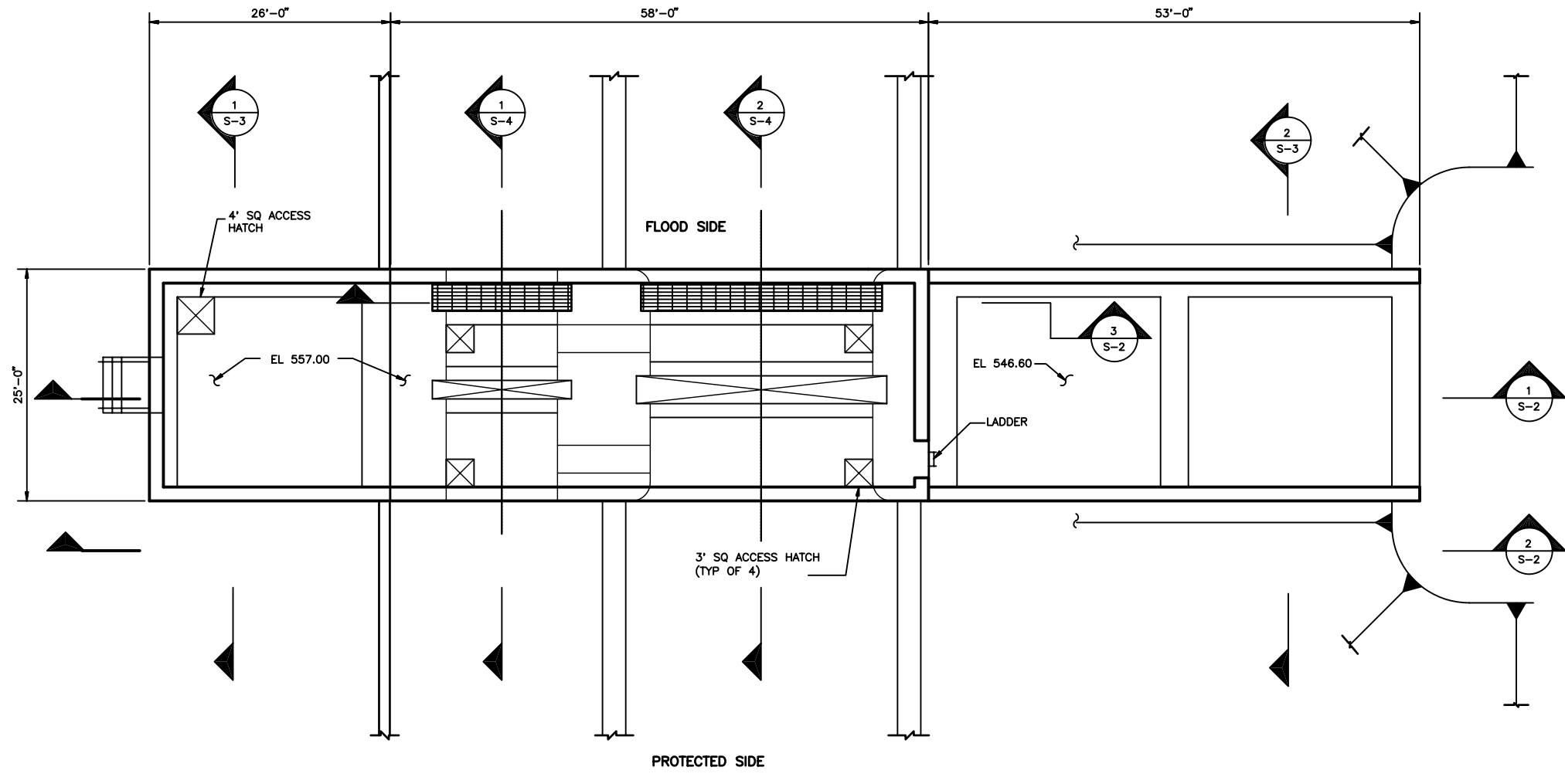


OVERALL WATER PLAN

SEQUENCE NO.
 CU-WA-1
 Sheet 49 of 139

NOT FOR CONSTRUCTION
 THIS DOCUMENT IS RELEASED FOR THE PURPOSE OF INTERIM REVIEW UNDER THE AUTHORITY OF GRETCHEN N. WILLIAMS, TEXAS NO: 82794 ON DATE: 01/13/2005. IT IS NOT TO BE USED FOR CONSTRUCTION, BIDDING OR PERMIT PURPOSES.

DESIGN FILE: CU101049.dwg
 Contr. No.



TRWD ISOLATION GATE FACILITY

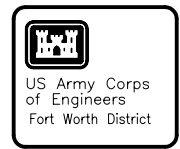
PLAN

1/8" = 1'-0"

REFERENCE FILE:
REFERENCE FILE:
REFERENCE FILE:
REFERENCE FILE:

REFERENCE FILE:
REFERENCE FILE:
REFERENCE FILE:
REFERENCE FILE:

REFERENCE FILE:
REFERENCE FILE:
REFERENCE FILE:
REFERENCE FILE:



Symbol	Description	D.O. No.	Action	Date

Designed by: E. ARCHILETTA	Date: JANUARY 2005
Drawn by: C. REDDIN	Soil No. XXXXXX
Reviewed by: W. SHERMAN	Contr. No. XXXXXX
Submitted by: W. SHERMAN	File name: XXXXX Plot date: XXXXX Plot scale: XXXXX

TARRANT REGIONAL WATER DISTRICT

CDM

FORT WORTH CENTRAL CITY
PRELIMINARY DESIGN

**TRWD
ISOLATION GATE STRUCTURE
PLAN**

SEQUENCE NO.

S-1

Sheet 91 of 139

8' 4' 0 8'
SCALE: 1/8" = 1'-0"
HALF SIZE PRINT

NOT FOR CONSTRUCTION
THIS DOCUMENT IS RELEASED FOR THE PURPOSE OF INTERIM REVIEW UNDER THE AUTHORITY OF WILLIAM C. SHERMAN TEXAS NO: 68207 ON DATE: 01/05/05 IT IS NOT TO BE USED FOR CONSTRUCTION, BIDDING OR PERMIT PURPOSES.


DESIGN FILE: S-101.DWG

Contr. No.

Date	Symbol	Description

Designed by: E. ARCHILETTA	Date: JANUARY 2005
Dwn by: C. REDDIN	Soi No. XXXXXX
Reviewed by: W. SHERMAN	Contr. No. XXXXXX
Submitted by: W. SHERMAN	File name: XXXXX
STRUCTURAL ENGINEER	Plot date: XXXXXX
	Plot scale: XXXXXX

TARRANT REGIONAL WATER DISTRICT

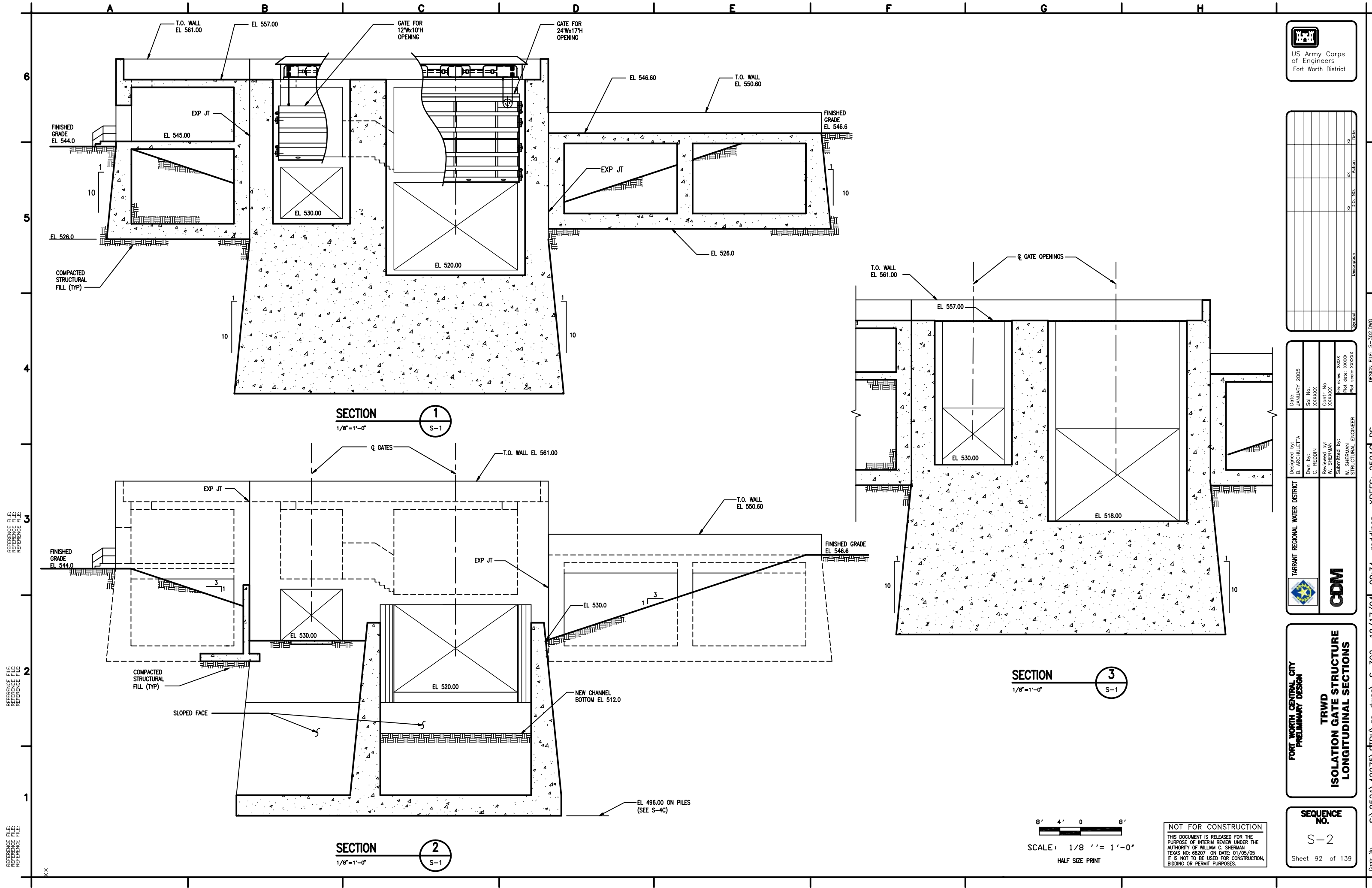


FORT WORTH CENTRAL CITY
PRELIMINARY DESIGN

TRWD
ISOLATION GATE STRUCTURE
LONGITUDINAL SECTIONS

SEQUENCE NO.
S-2

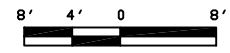
Sheet 92 of 139



SECTION 1
1/8"=1'-0"
S-1

SECTION 2
1/8"=1'-0"
S-1

SECTION 3
1/8"=1'-0"
S-1

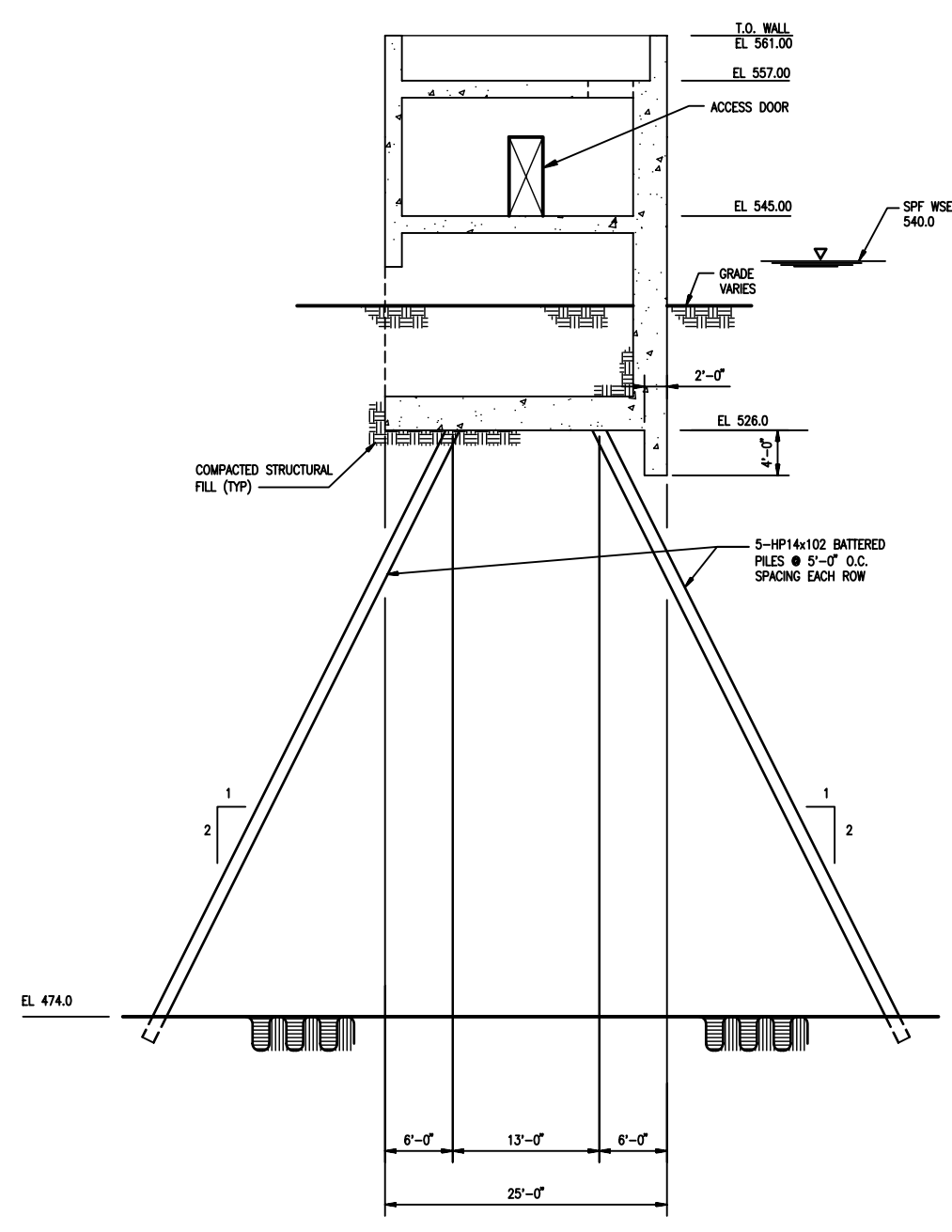


SCALE: 1/8" = 1'-0"
HALF SIZE PRINT

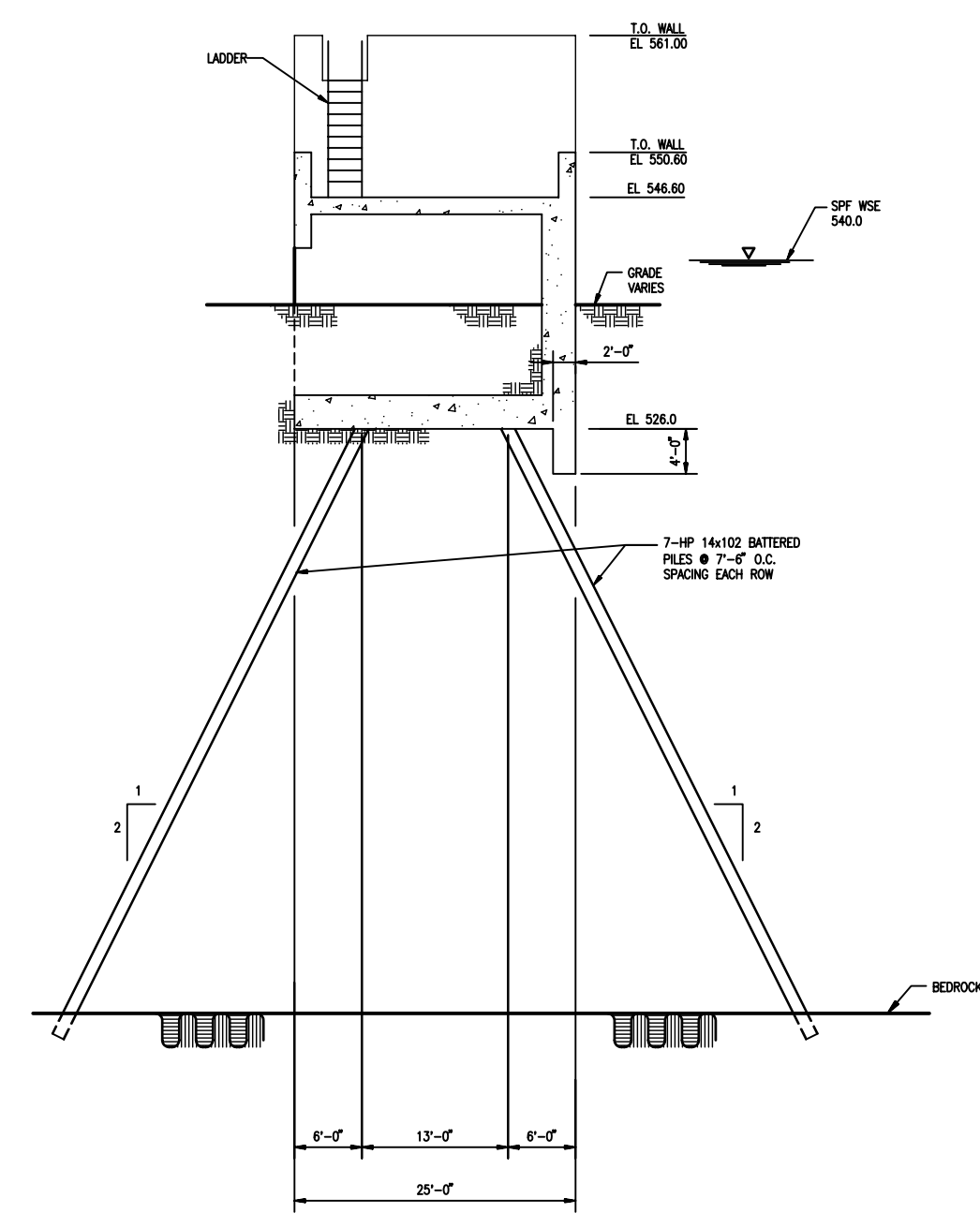
NOT FOR CONSTRUCTION
THIS DOCUMENT IS RELEASED FOR THE PURPOSE OF INTERIM REVIEW UNDER THE AUTHORITY OF WILLIAM C. SHERMAN TEXAS NO: 68207 ON DATE: 01/05/05 IT IS NOT TO BE USED FOR CONSTRUCTION, BIDDING OR PERMIT PURPOSES.

A B C D E F G H

6
5
4
3
2
1



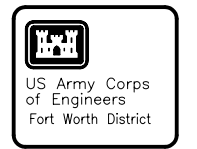
WEST ABUTMENT
SECTION 1
1/8" = 1'-0"



EAST ABUTMENT
SECTION 2
1/8" = 1'-0"

8' 4' 0 8'
SCALE: 1/8" = 1'-0"
HALF SIZE PRINT

NOT FOR CONSTRUCTION
THIS DOCUMENT IS RELEASED FOR THE PURPOSE OF INTERIM REVIEW UNDER THE AUTHORITY OF WILLIAM C. SHERMAN, TEXAS NO. 68207 ON DATE: 01/05/05. IT IS NOT TO BE USED FOR CONSTRUCTION, BIDDING OR PERMIT PURPOSES.



Symbol	Description	D.O. No.	Date

Designed by: E. ARCHULETA	Date: JANUARY 2005
Dwn by: C. REDDIN	Soil No. XXXXXX
Reviewed by: W. SHERMAN	Contr. No. XXXXXX
Submitted by: W. SHERMAN STRUCTURAL ENGINEER	File name: XXXXXX Plot date: XXXXXX Plot scale: XXXXXX

FORT WORTH CENTRAL CITY
PRELIMINARY DESIGN
TRWD
ISOLATION GATE STRUCTURE
SECTIONS AT ABUTMENTS


SEQUENCE NO.
S-3
Sheet 93 of 139

S:\2521\42275\STRU\as dwas\ S-303 12/21/04 07:35 reddinco XREFS: 2521G-BS DESIGN FILE: S-303.DWG

Symbol	Description	D.O. No.	Action	Date

Designed by: E. ARCHULETA	Date: JANUARY 2005
Dwn. by: C. REDDIN	Soi. No. XXXXXX
Reviewed by: W. SHERMAN	Contr. No. XXXXXX
Submitted by: W. SHERMAN	File name: XXXXX Plot date: XXXXX Plot scale: XXXXX

TARRANT REGIONAL WATER DISTRICT

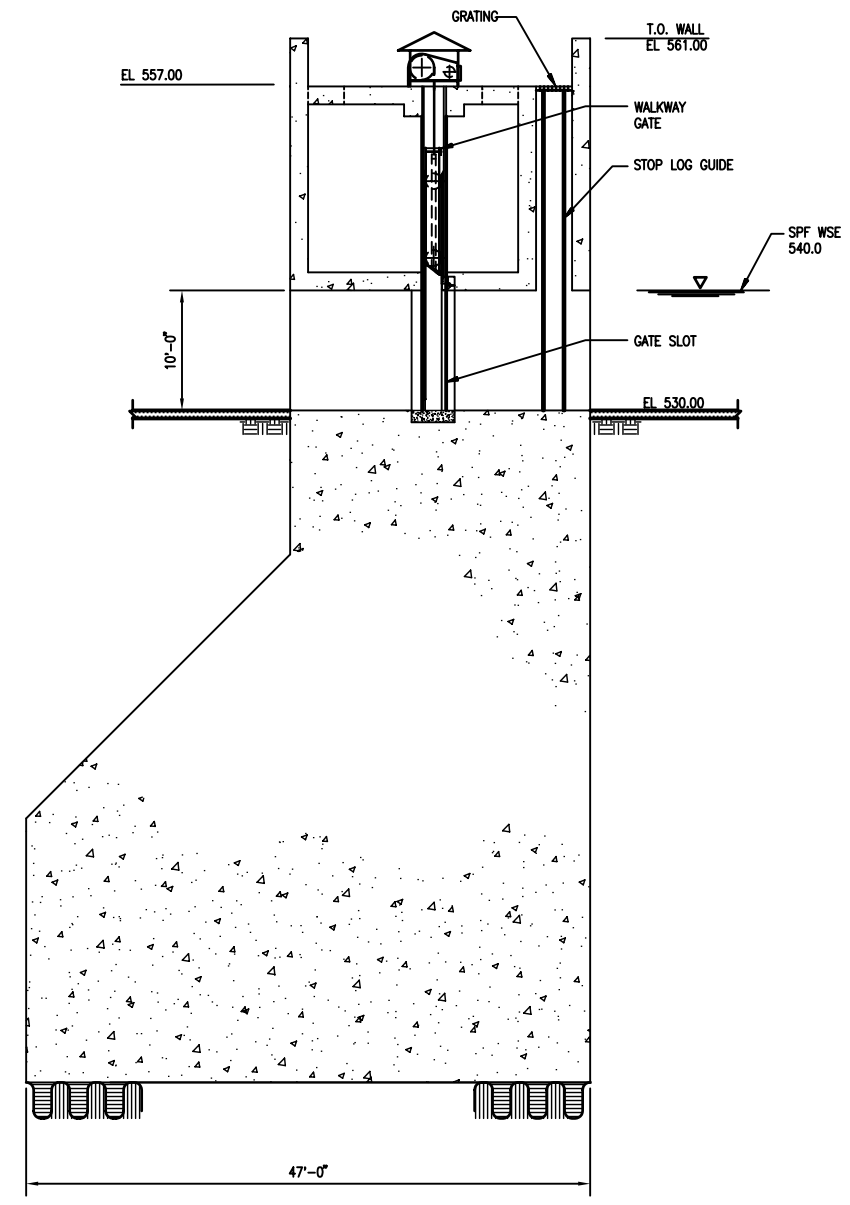


FORT WORTH CENTRAL CITY
PRELIMINARY DESIGN

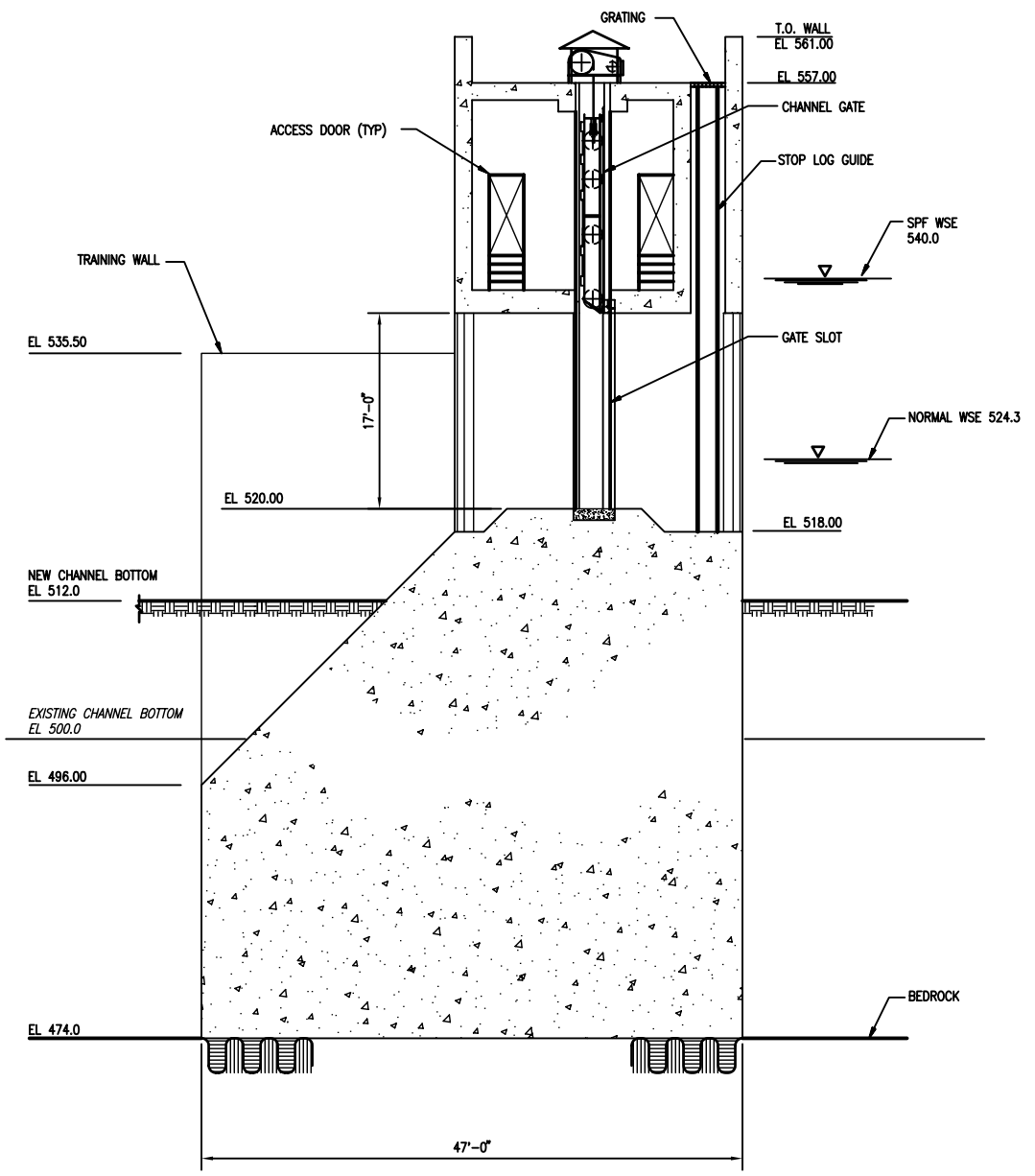
TRWD
ISOLATION GATE STRUCTURE
ROCK FOUNDATION

SEQUENCE NO.
S-4A

Sheet 94 of 139



SECTION 1
1/8" = 1'-0"



SECTION 2
1/8" = 1'-0"

8' 4' 0 8'
SCALE: 1/8" = 1'-0"
HALF SIZE PRINT

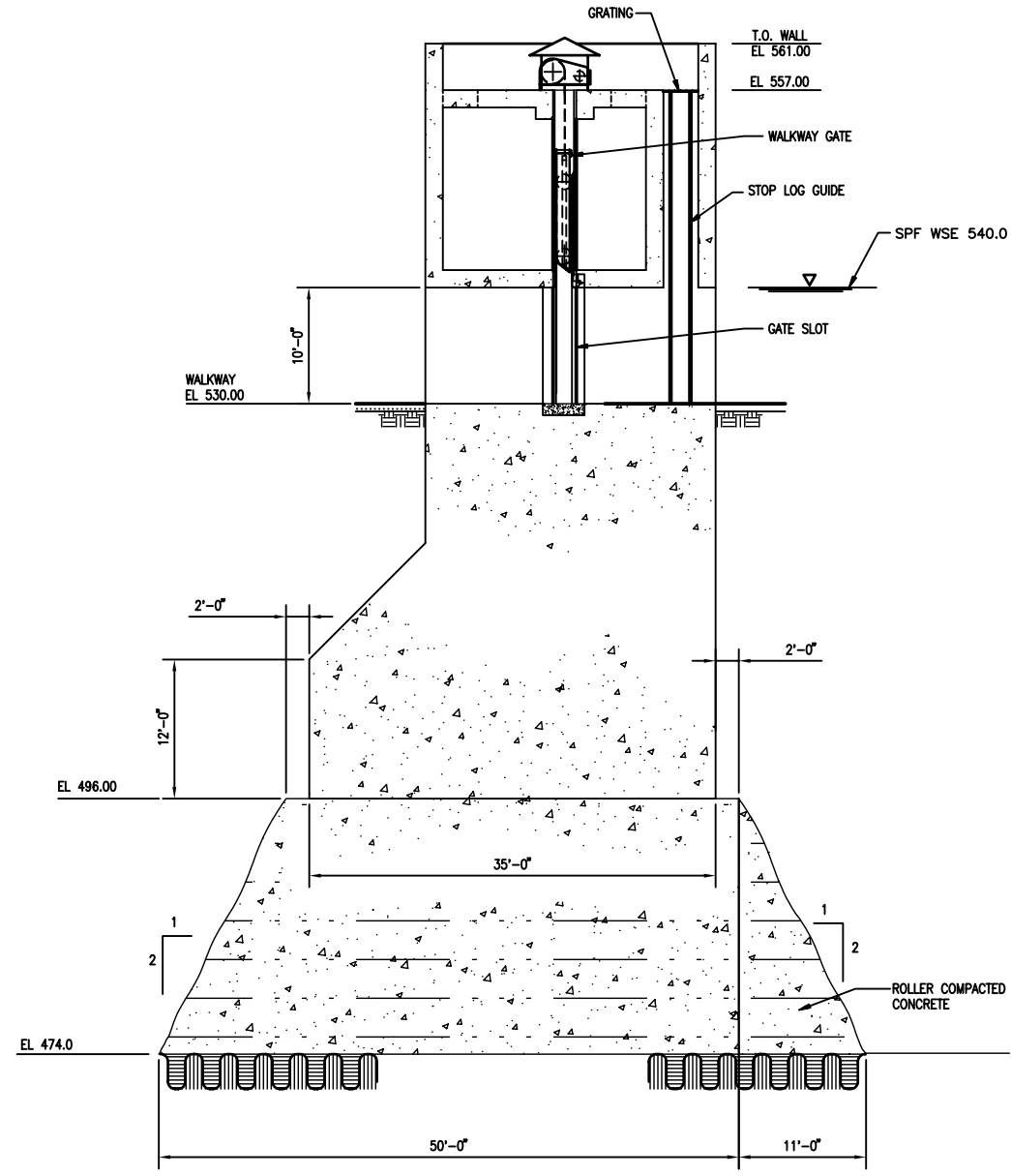
NOT FOR CONSTRUCTION
THIS DOCUMENT IS RELEASED FOR THE PURPOSE OF INTERIM REVIEW UNDER THE AUTHORITY OF WILLIAM C. SHERMAN, TEXAS REG. NO. 68207 ON DATE: 01/05/05. IT IS NOT TO BE USED FOR CONSTRUCTION, BIDDING OR PERMIT PURPOSES.

Symbol	Description	D.O. No.	Action	Date

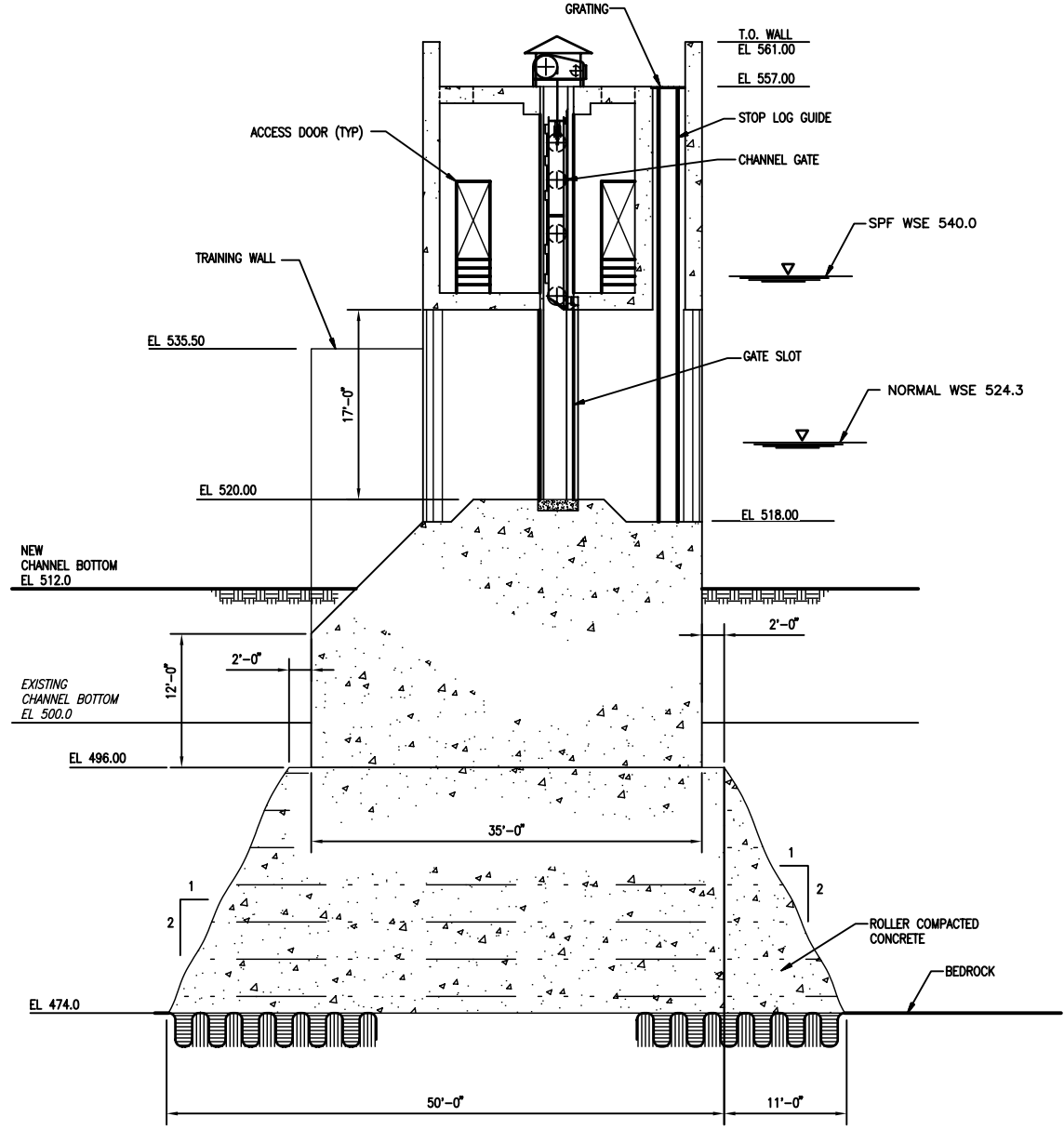
Designed by: E. ARCHULETA	Date: JANUARY 2005
Drawn by: C. REDDIN	Soil No. XXXXXX
Reviewed by: W. SHERMAN	Contr. No. XXXXXX
Submitted by: W. SHERMAN	File name: XXXXX
STRUCTURAL ENGINEER	Plot date: XXXXXX
	Plot scale: XXXXXX

TARRANT REGIONAL WATER DISTRICT
CDM
FORT WORTH CENTRAL CITY
PRELIMINARY DESIGN
TRWD
ISOLATION GATE STRUCTURE
RCC FOUNDATION

SEQUENCE NO.
S-4B
Sheet 95 of 139



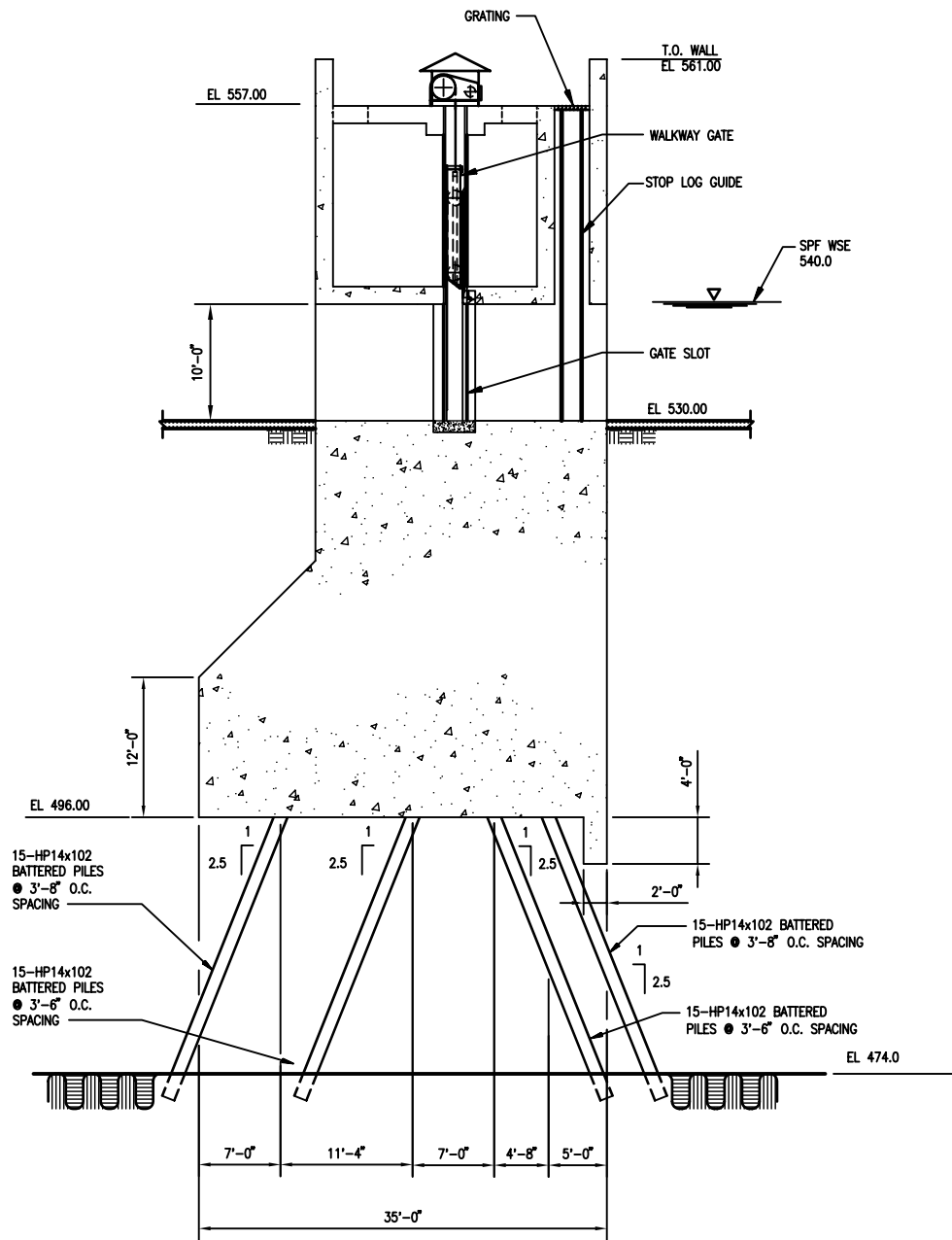
SECTION 1
1/8" = 1'-0"
S-1



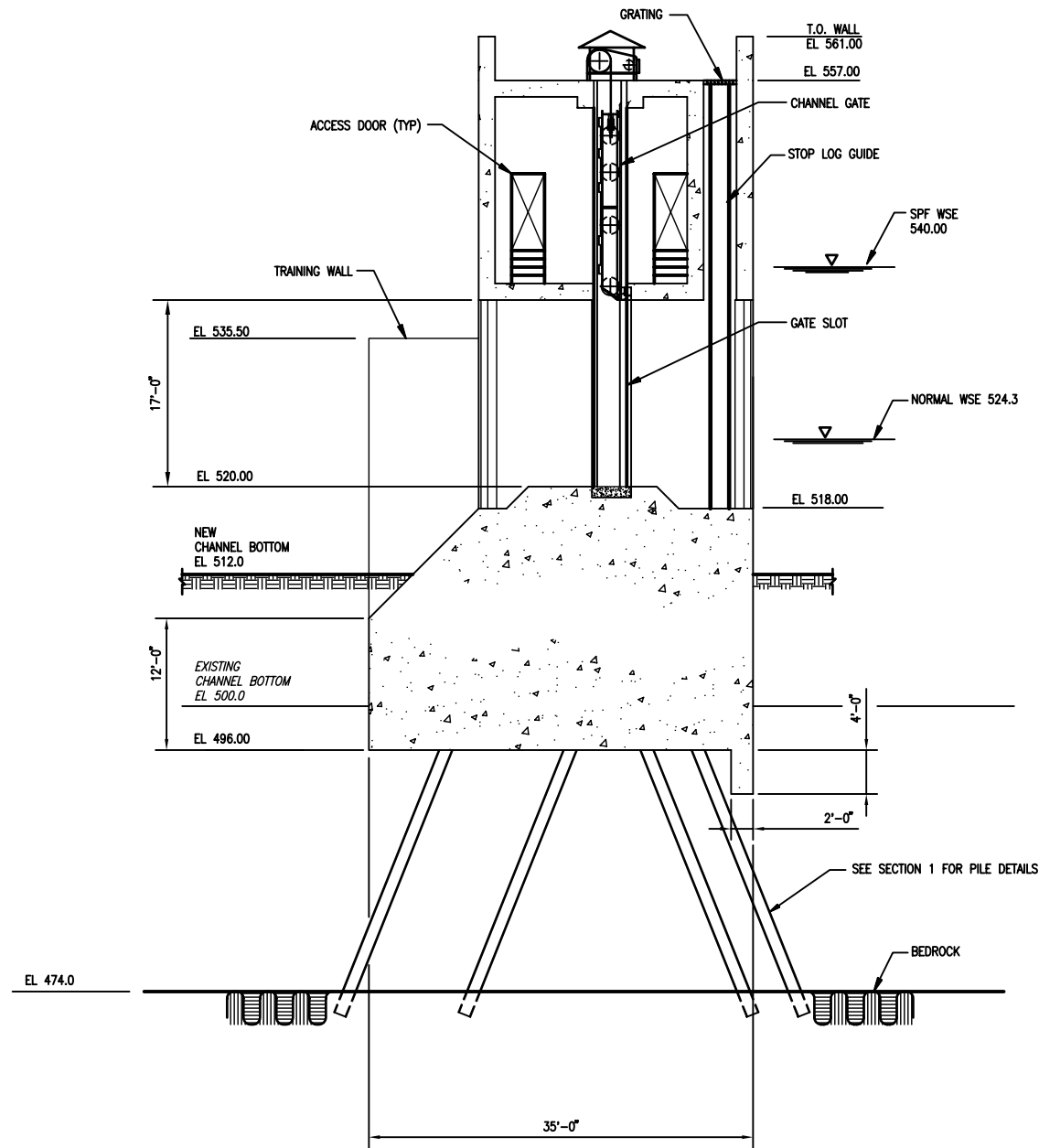
SECTION 2
1/8" = 1'-0"
S-1

SCALE: 1/8" = 1'-0"
HALF SIZE PRINT

NOT FOR CONSTRUCTION
THIS DOCUMENT IS RELEASED FOR THE PURPOSE OF INTERIM REVIEW UNDER THE AUTHORITY OF WILLIAM C. SHERMAN, TEXAS REG. NO. 68207 ON DATE: 01/05/05. IT IS NOT TO BE USED FOR CONSTRUCTION, BIDDING OR PERMIT PURPOSES.



SECTION 1
1/8" = 1'-0"



SECTION 2
1/8" = 1'-0"

8' 4' 0 8'
SCALE: 1/8" = 1'-0"
HALF SIZE PRINT

NOT FOR CONSTRUCTION
THIS DOCUMENT IS RELEASED FOR THE PURPOSE OF INTERIM REVIEW UNDER THE AUTHORITY OF WILLIAM C. SHERMAN TEXAS NO: 68207 ON DATE: 01/05/05 IT IS NOT TO BE USED FOR CONSTRUCTION, BIDDING OR PERMIT PURPOSES.

Date	Description	Symbol	D.O. No.	Action	Date

Designed by: E. ARCHILETTA	Date: JANUARY 2005
Dwn by: C. REDDIN	Soil No. XXXXXX
Reviewed by: W. SHERMAN	Contr. No. XXXXXX
Submitted by: W. SHERMAN	File name: XXXXX
STRUCTURAL ENGINEER	Plot scale: XXXXXX

TARRANT REGIONAL WATER DISTRICT

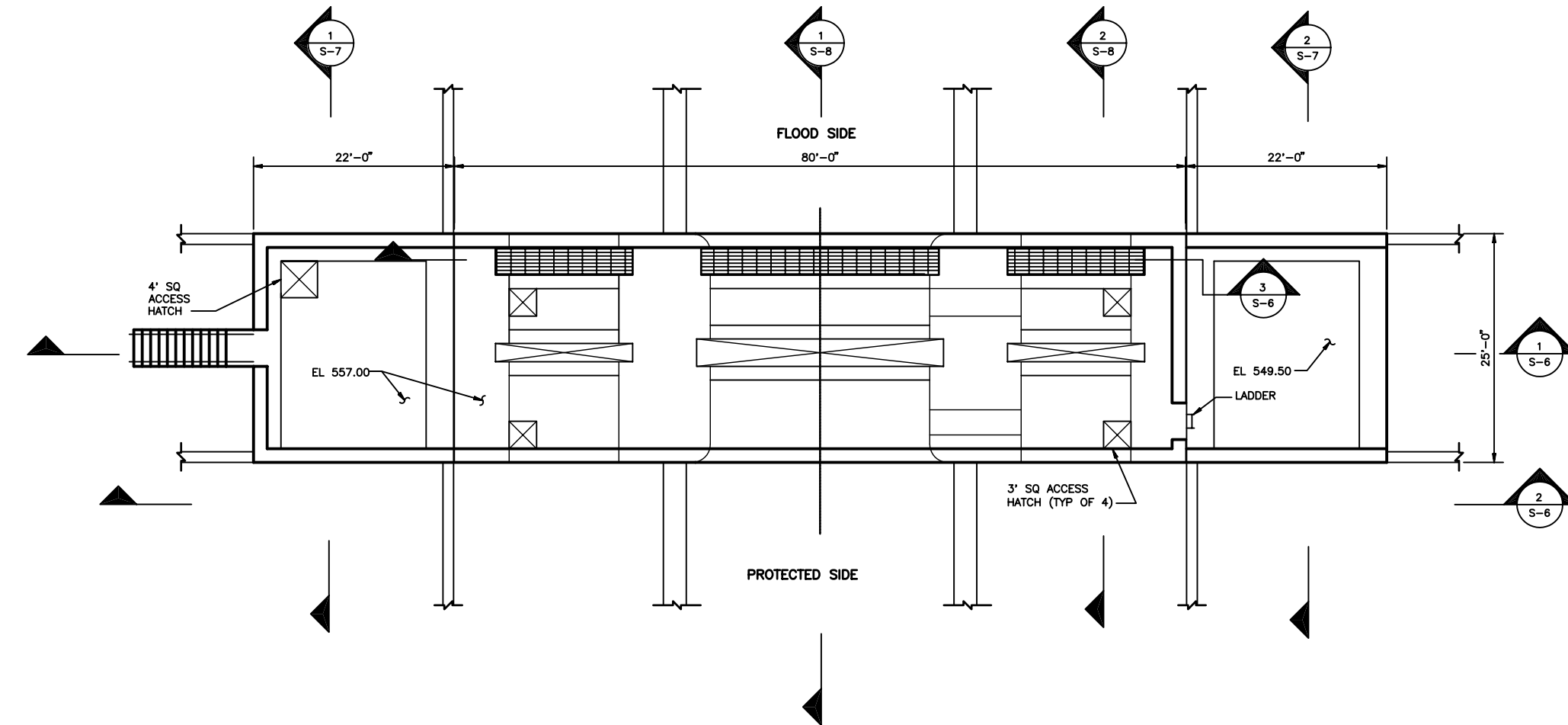
FORT WORTH CENTRAL CITY
PRELIMINARY DESIGN

TRWD
ISOLATION GATE STRUCTURE
PILE FOUNDATION

SEQUENCE NO.
S-4C
Sheet 96 of 139

A B C D E F G H

6
5
4
3
2
1



TRINITY POINT ISOLATION GATE FACILITY

PLAN
1/8" = 1'-0"



US Army Corps of Engineers
Fort Worth District

Symbol	Description	D.O. No.	Action	Date

Designed by: E. ARCHULETA	Date: JANUARY 2005
Dwn by: C. REDDIN	Soi No: XXXXXX
Reviewed by: W. SHERMAN	Contr. No: XXXXXX
Submitted by: W. SHERMAN	File name: XXXXX Plot scale: XXXXXX

TARRANT REGIONAL WATER DISTRICT

FORT WORTH CENTRAL CITY
PRELIMINARY DESIGN

**TRINITY POINT
ISOLATION GATE STRUCTURE
PLAN**

SEQUENCE NO.
S-5

Sheet 97 of 139

8' 4' 0 8'
SCALE: 1/8" = 1'-0"
HALF SIZE PRINT

NOT FOR CONSTRUCTION
THIS DOCUMENT IS RELEASED FOR THE PURPOSE OF INTERIM REVIEW UNDER THE AUTHORITY OF WILLIAM C. SHERMAN TEXAS NO: 68207 ON DATE: 01/05/05 IT IS NOT TO BE USED FOR CONSTRUCTION, BIDDING OR PERMIT PURPOSES.

REFERENCE FILE:
REFERENCE FILE:
REFERENCE FILE:
REFERENCE FILE:

REFERENCE FILE:
REFERENCE FILE:
REFERENCE FILE:
REFERENCE FILE:

REFERENCE FILE:
REFERENCE FILE:
REFERENCE FILE:
REFERENCE FILE:


DESIGN FILE: S-105.DWG

Contr. No.

Date	Description	Symbol	D.O. No.	Action	Date

Designed by: E. ARCHILETTA	Date: JANUARY 2005
Drawn by: C. REDDIN	Soi No. XXXXXX
Reviewed by: W. SHERMAN	Contr. No. XXXXXX
Submitted by: W. SHERMAN	File name: XXXXXX
STRUCTURAL ENGINEER	Plot date: XXXXXX
	Plot scale: XXXXXX

TARRANT REGIONAL WATER DISTRICT

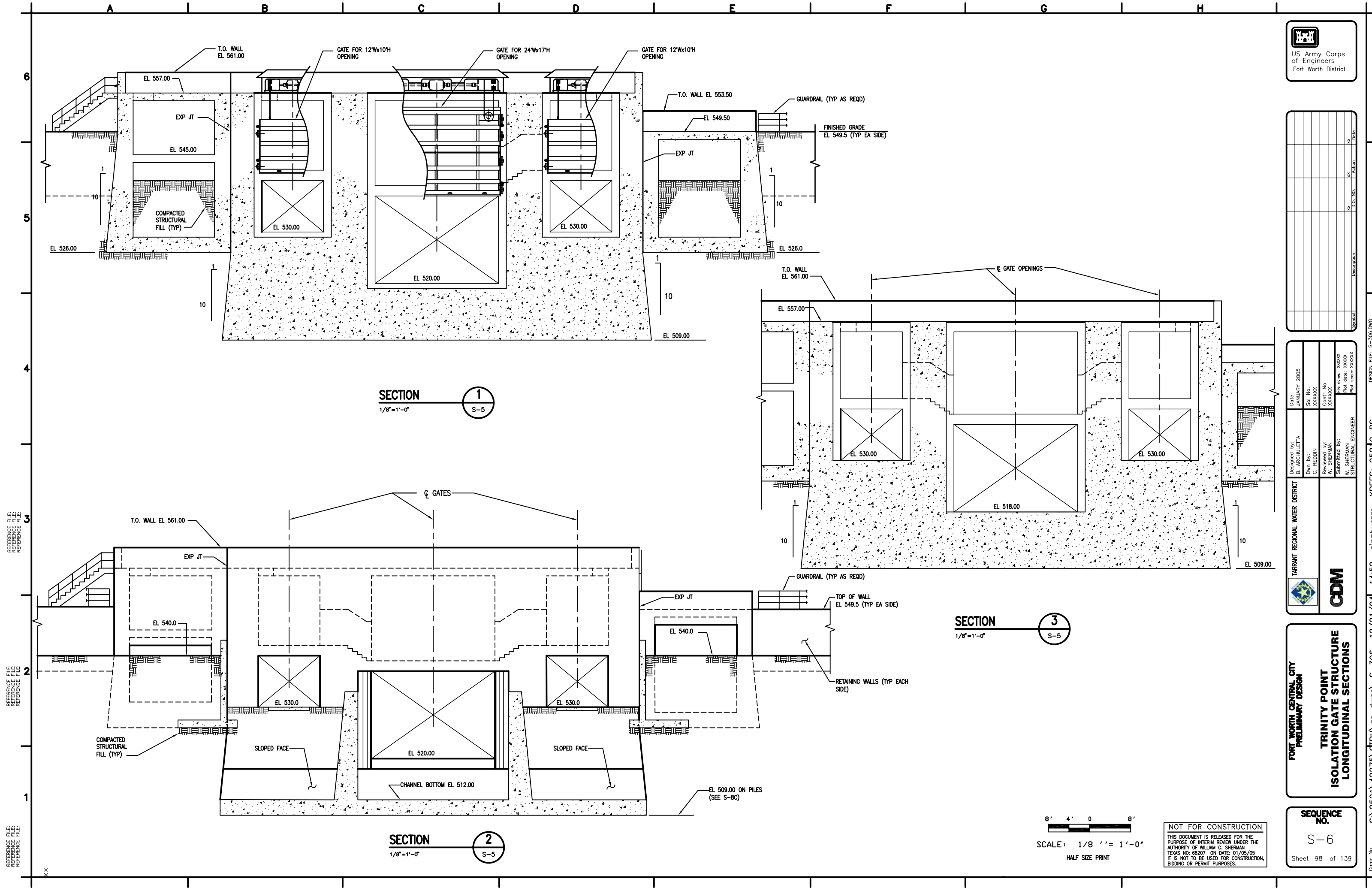


FORT WORTH CENTRAL CITY
PRELIMINARY DESIGN

**TRINITY POINT
ISOLATION GATE STRUCTURE
LONGITUDINAL SECTIONS**

SEQUENCE NO.
S-6

Sheet 98 of 139



SECTION 1
1/8" = 1'-0"

SECTION 3
1/8" = 1'-0"

SECTION 2
1/8" = 1'-0"

8' 4' 0' 8'

SCALE: 1/8" = 1'-0"

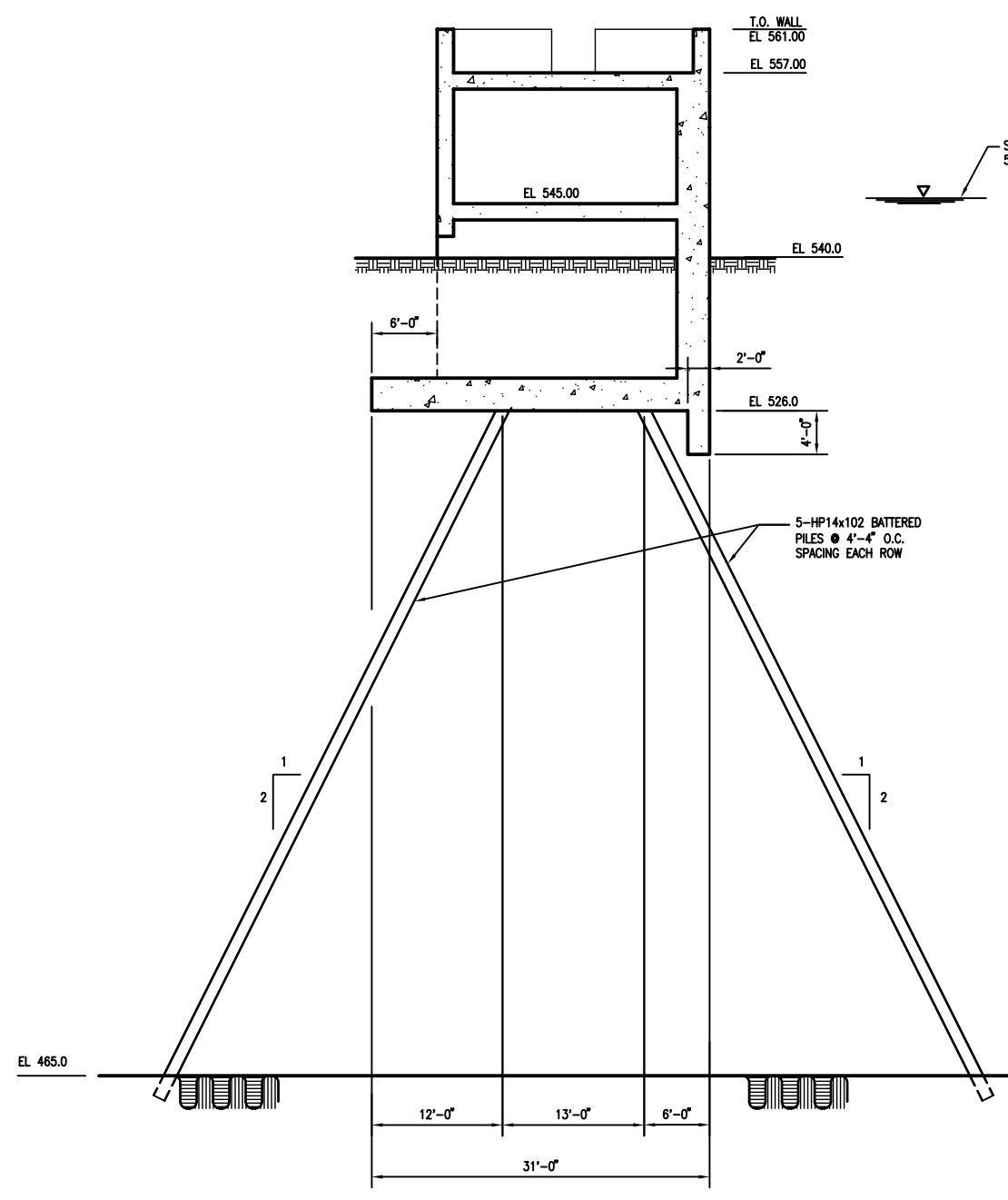
HALF SIZE PRINT

NOT FOR CONSTRUCTION

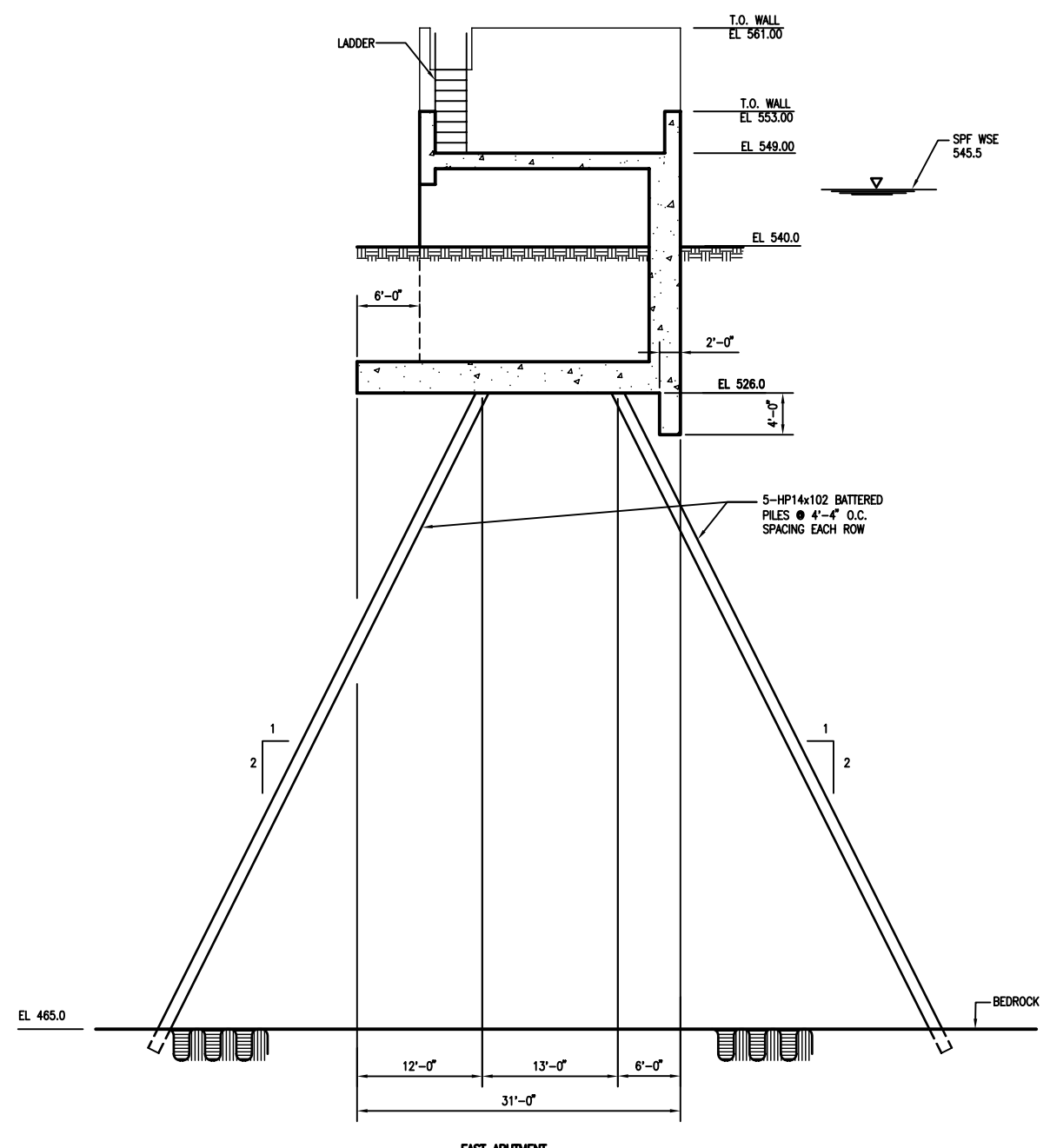
THIS DOCUMENT IS RELEASED FOR THE PURPOSE OF INTERIM REVIEW UNDER THE AUTHORITY OF WILLIAM C. SHERMAN TEXAS NO: 68207 ON DATE: 01/05/05 IT IS NOT TO BE USED FOR CONSTRUCTION, BIDDING OR PERMIT PURPOSES.

A B C D E F G H

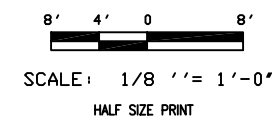
6
5
4
3
2
1



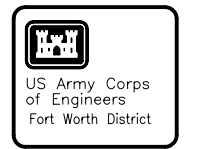
WEST ABUTMENT
SECTION 1
1/8" = 1'-0"
S-5



EAST ABUTMENT
SECTION 2
1/8" = 1'-0"
S-5



NOT FOR CONSTRUCTION
THIS DOCUMENT IS RELEASED FOR THE PURPOSE OF INTERIM REVIEW UNDER THE AUTHORITY OF WILLIAM C. SHERMAN, TEXAS NO. 68207 ON DATE: 01/05/05. IT IS NOT TO BE USED FOR CONSTRUCTION, BIDDING OR PERMIT PURPOSES.



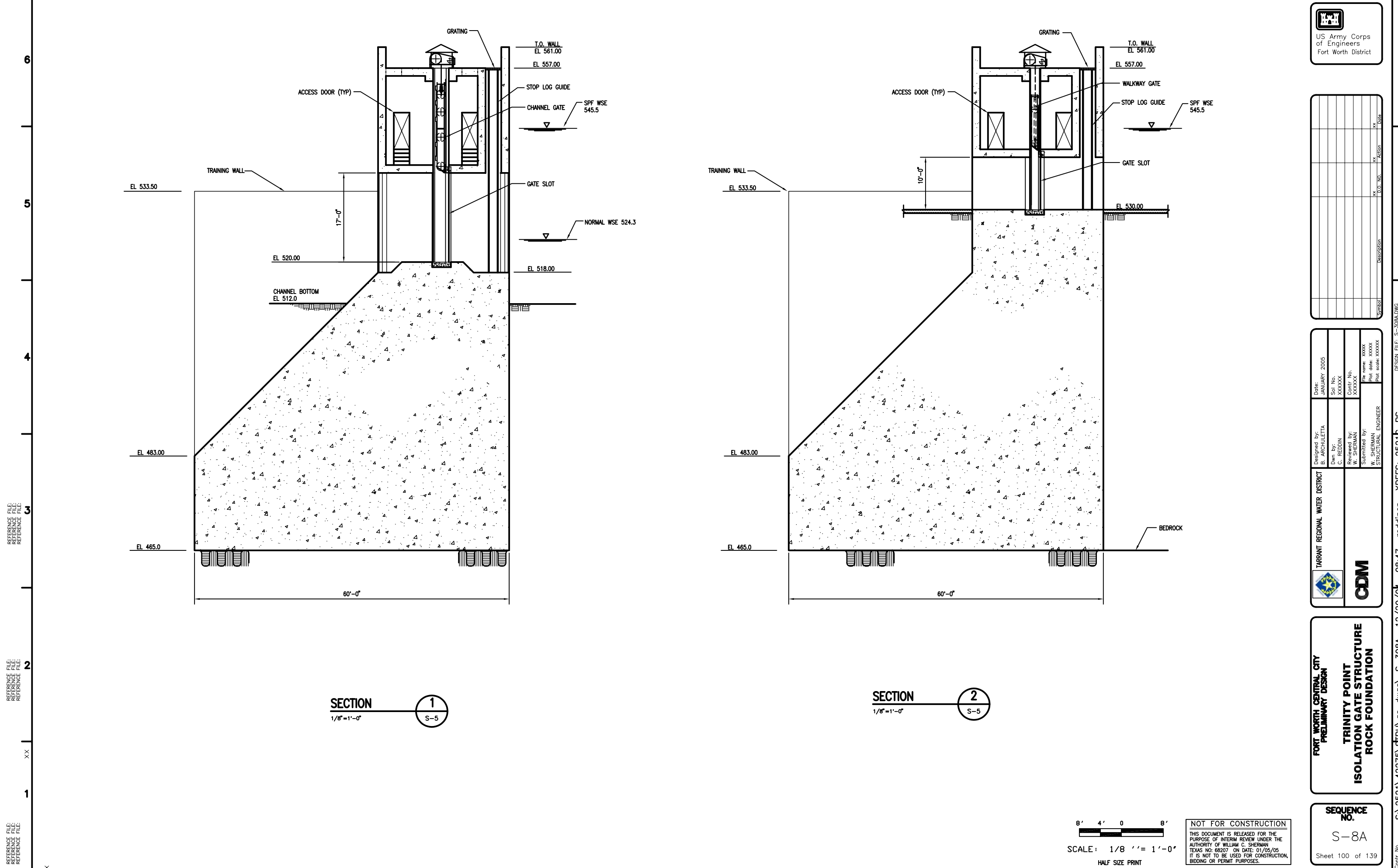
Symbol	Description	D.O. No.	Action	Date

Designed by: E. ARCHULETA	Date: JANUARY 2005
Dwn. by: C. REDDIN	Soi. No. XXXXXX
Reviewed by: W. SHERMAN	Contr. No. XXXXXX
Submitted by: W. SHERMAN STRUCTURAL ENGINEER	File name: XXXXX Plot date: XXXXX Plot scale: XXXXX

**FORT WORTH CENTRAL CITY
PRELIMINARY DESIGN**
**TRINITY POINT
ISOLATION GATE STRUCTURE
SECTIONS AT ABUTMENTS**

SEQUENCE NO.
S-7
Sheet 99 of 139

A B C D E F G H

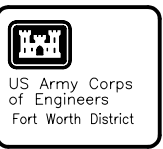


SECTION 1
1/8"=1'-0"
S-5

SECTION 2
1/8"=1'-0"
S-5

8' 4' 0 8'
SCALE: 1/8" = 1'-0"
HALF SIZE PRINT

NOT FOR CONSTRUCTION
THIS DOCUMENT IS RELEASED FOR THE PURPOSE OF INTERIM REVIEW UNDER THE AUTHORITY OF WILLIAM C. SHERMAN TEXAS NO. 68207 ON DATE: 01/05/05 IT IS NOT TO BE USED FOR CONSTRUCTION, BIDDING OR PERMIT PURPOSES.



Date	Description	D.O. No.	Action

Designed by: E. ARCHULETA	Date: JANUARY 2005
Dwn by: C. REDDIN	Soi No. XXXXXX
Reviewed by: W. SHERMAN	Contr. No. XXXXXX
Submitted by: W. SHERMAN	File name: XXXXX Plot date: XXXXX Plot scale: XXXXX

TARRANT REGIONAL WATER DISTRICT

FORT WORTH CENTRAL CITY
PRELIMINARY DESIGN

TRINITY POINT
ISOLATION GATE STRUCTURE
ROCK FOUNDATION

SEQUENCE NO.
S-8A
Sheet 100 of 139

REFERENCE FILE:
REFERENCE FILE:
REFERENCE FILE:
REFERENCE FILE:

REFERENCE FILE:
REFERENCE FILE:
REFERENCE FILE:
REFERENCE FILE:

XX

1

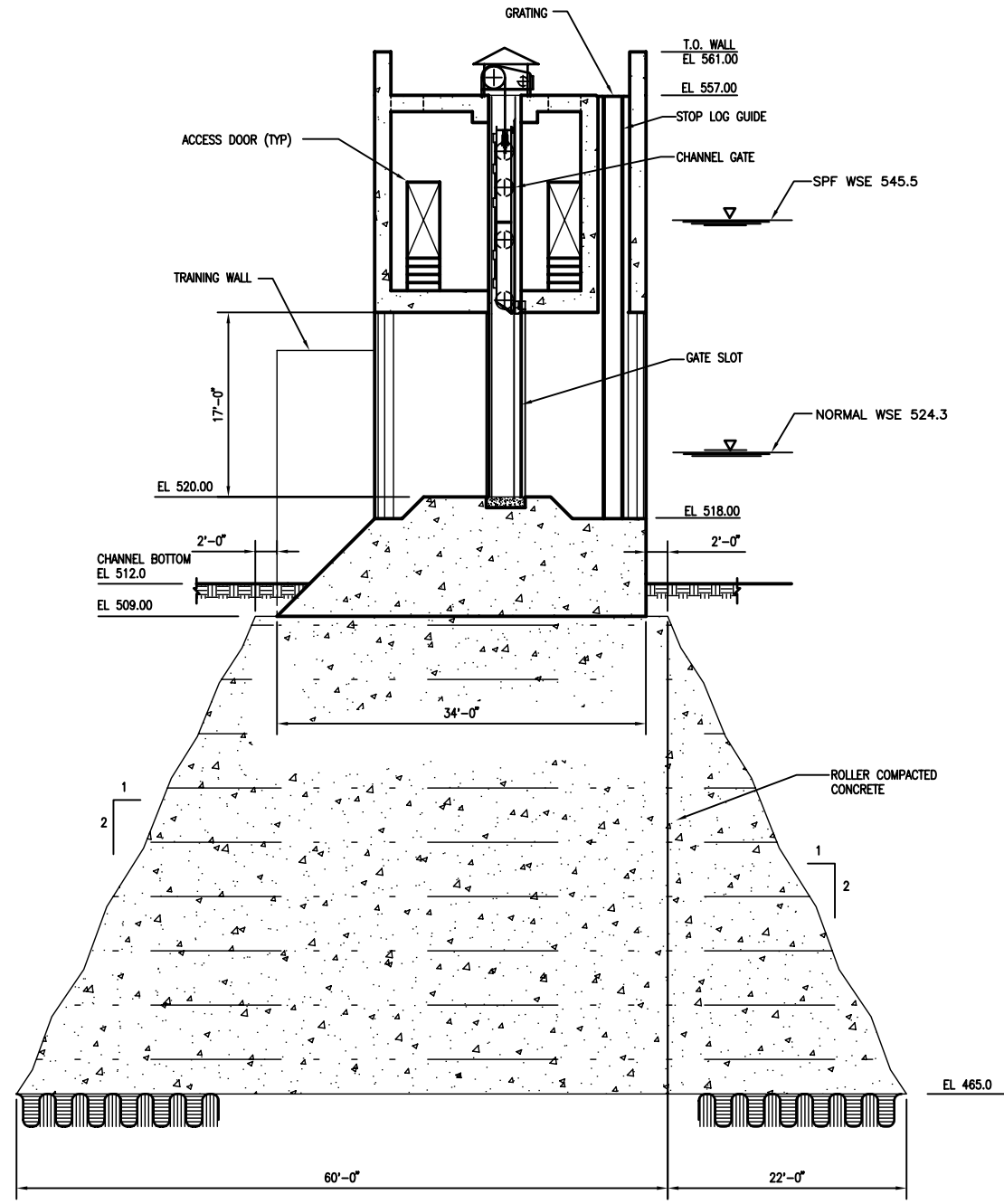
REFERENCE FILE:
REFERENCE FILE:
REFERENCE FILE:
REFERENCE FILE:

DESIGN FILE: S-308A.DWG

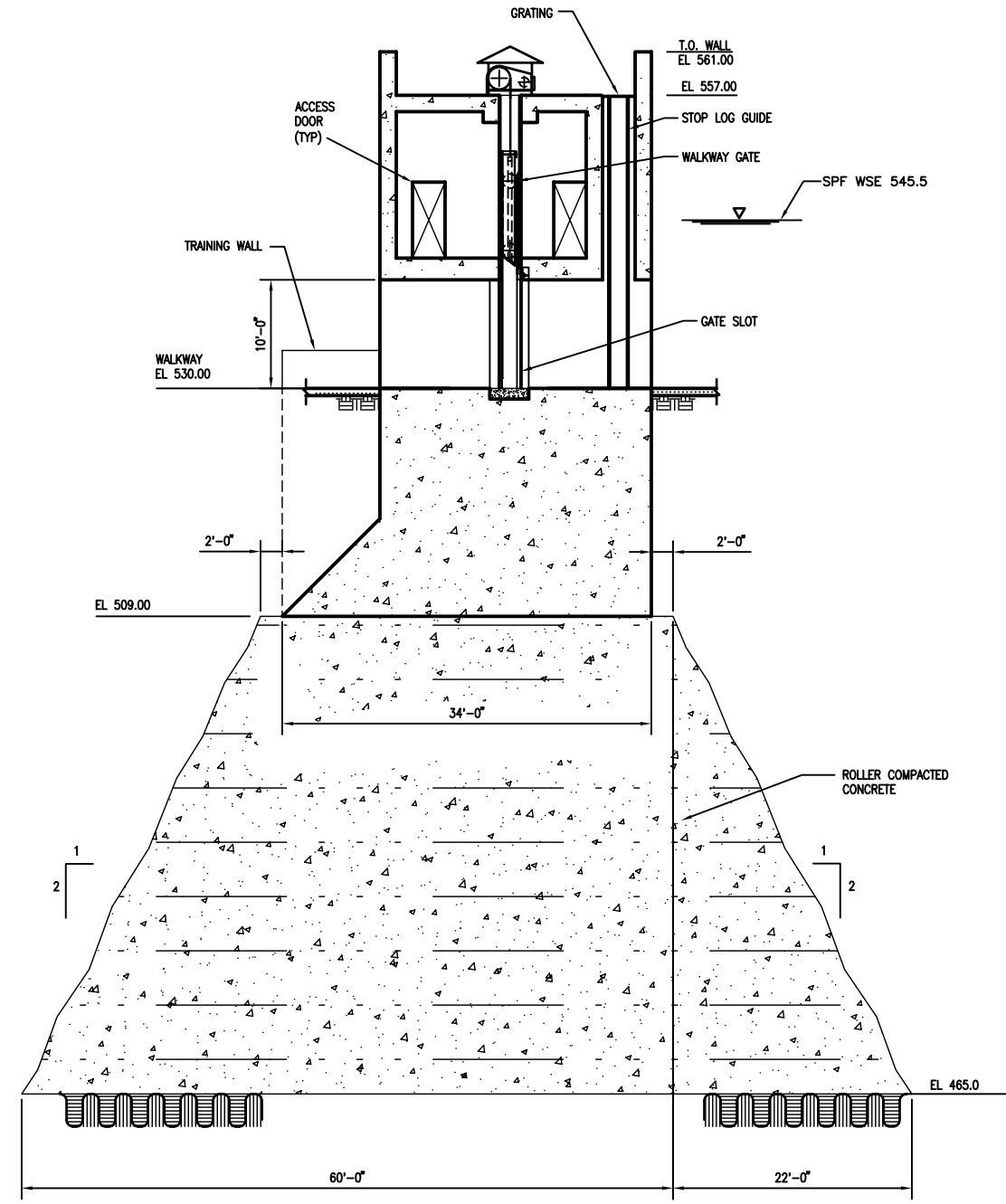
CONTR. NO. BS

08:47 reddinco XREFS: 2521B-BS

S:\2521\42275\STRU\as dwas\ S-308A 12/20/04



SECTION 1
1/8"=1'-0"
S-5



SECTION 2
1/8"=1'-0"
S-5

8' 4' 0' 8'
SCALE: 1/8" = 1'-0"
HALF SIZE PRINT

NOT FOR CONSTRUCTION
THIS DOCUMENT IS RELEASED FOR THE PURPOSE OF INTERIM REVIEW UNDER THE AUTHORITY OF WILLIAM C. SHERMAN, TEXAS NO. 68207 ON DATE: 01/05/05. IT IS NOT TO BE USED FOR CONSTRUCTION, BIDDING OR PERMIT PURPOSES.

Date	Description	Symbol	D.O. No.	Action	Date

Designed by: E. ARCHILETTA	Date: JANUARY 2005
Drawn by: C. REDDIN	Soil No.: XXXXXX
Reviewed by: W. SHERMAN	Contr. No.: XXXXXX
Submitted by: W. SHERMAN	File name: XXXXXX
STRUCTURAL ENGINEER	Plot date: XXXXXX
	Plot scale: XXXXXX

TARRANT REGIONAL WATER DISTRICT

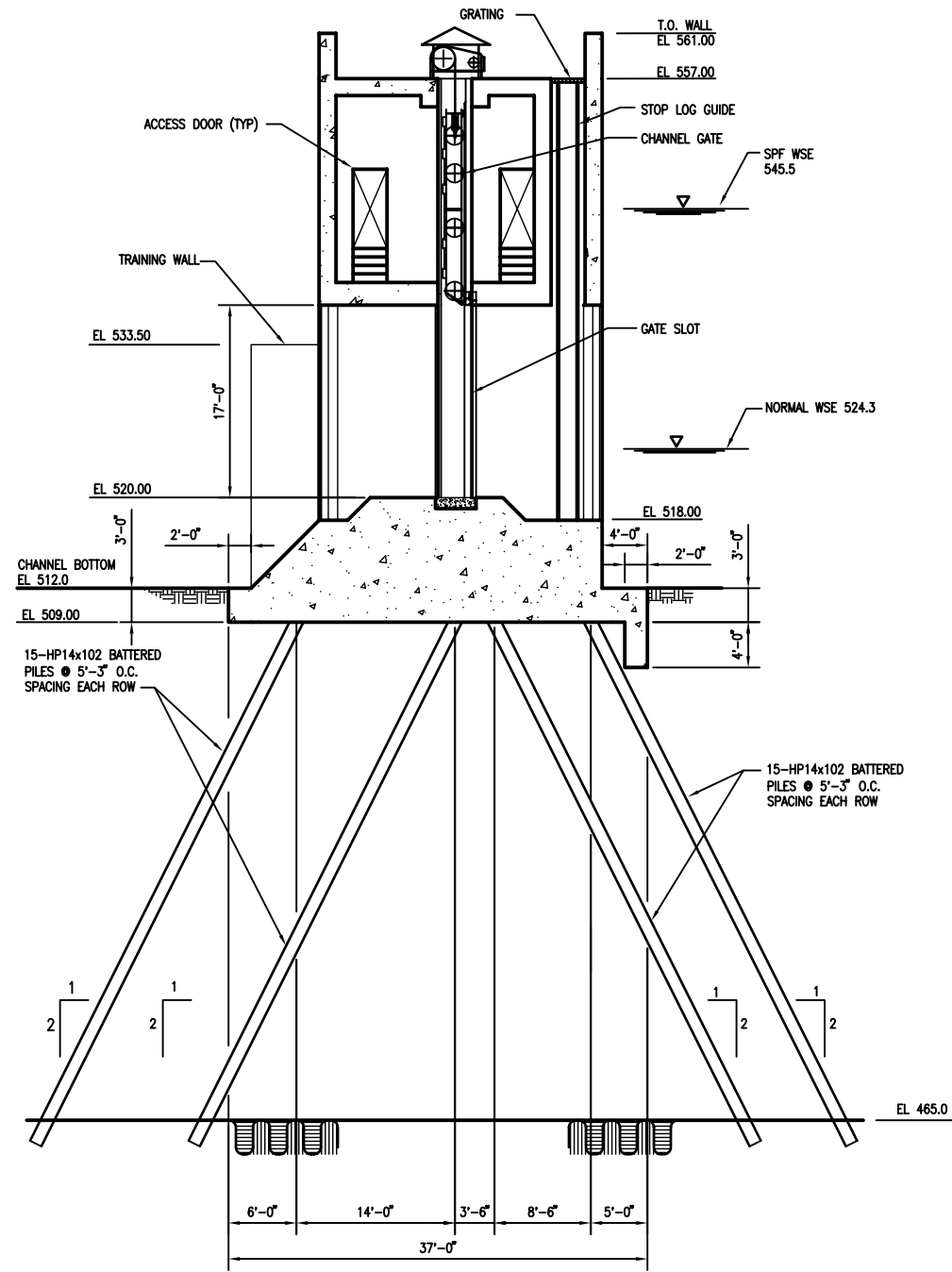
FORT WORTH CENTRAL CITY
PRELIMINARY DESIGN

TRINITY POINT
ISOLATION GATE STRUCTURE
RCC FOUNDATION

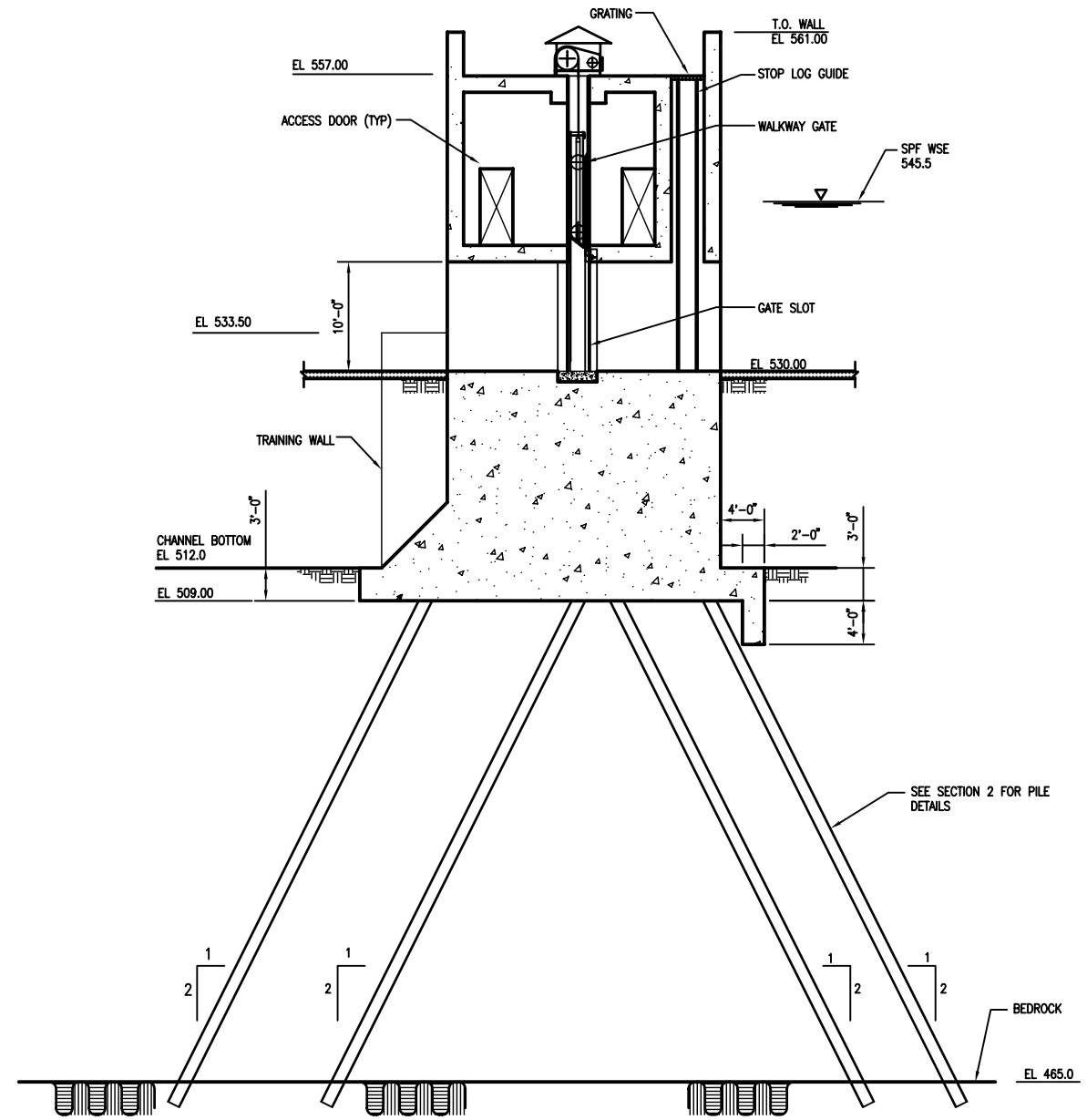
SEQUENCE NO.
S-8B
Sheet 101 of 139



US Army Corps
of Engineers
Fort Worth District



SECTION 1
1/8"=1'-0"
S-5



SECTION 2
1/8"=1'-0"
S-5

8' 4' 0' 8'
SCALE: 1/8" = 1'-0"
HALF SIZE PRINT

NOT FOR CONSTRUCTION
THIS DOCUMENT IS RELEASED FOR THE PURPOSE OF INTERIM REVIEW UNDER THE AUTHORITY OF WILLIAM C. SHERMAN, TEXAS REG. NO. 68207, ON DATE: 01/05/05. IT IS NOT TO BE USED FOR CONSTRUCTION, BIDDING OR PERMIT PURPOSES.

Symbol	Description	D.O. No.	Action	Date

Designed by: E. ARCHILETTA	Date: JANUARY 2005
Drawn by: C. REDDIN	Soil No.: XXXXXX
Reviewed by: W. SHERMAN	Contr. No.: XXXXXX
Submitted by: W. SHERMAN	File name: XXXXX Plot date: XXXXX Plot scale: XXXXXX

TARRANT REGIONAL WATER DISTRICT

**FORT WORTH CENTRAL CITY
PRELIMINARY DESIGN**

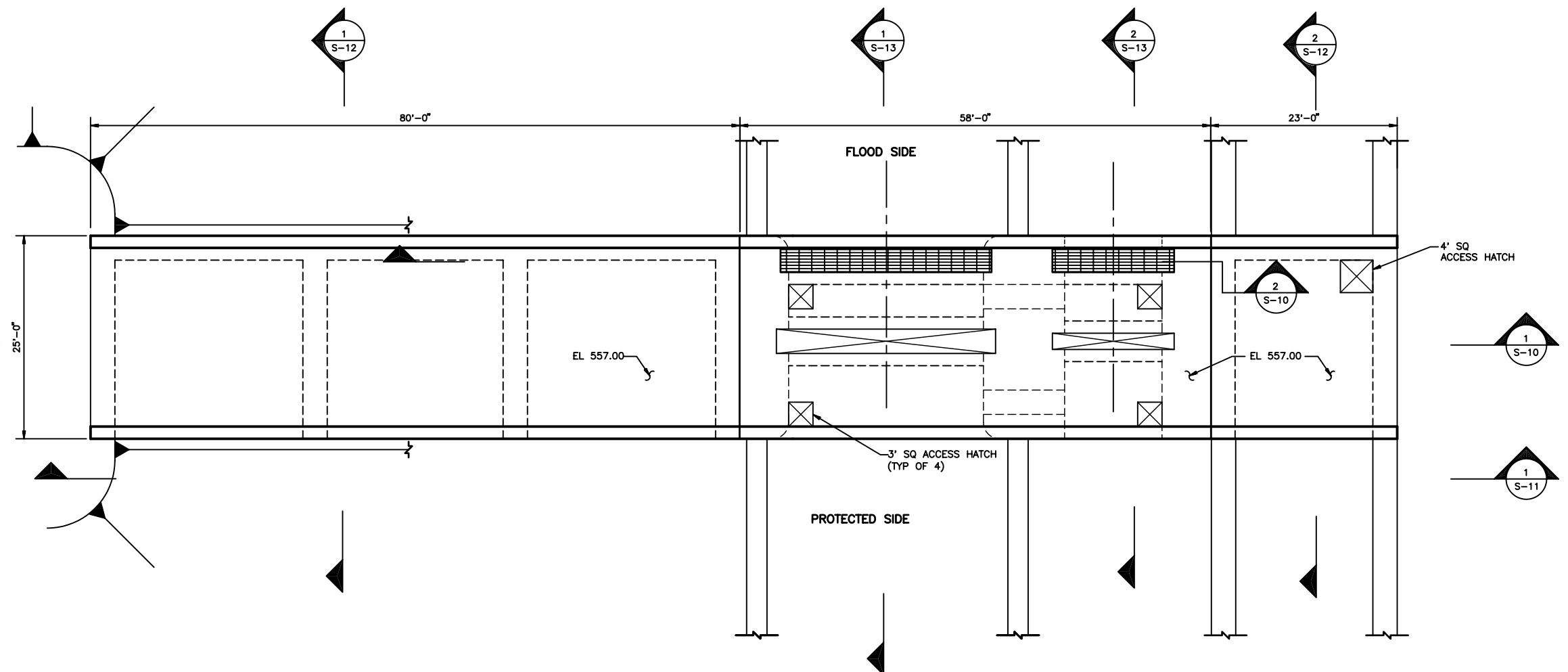
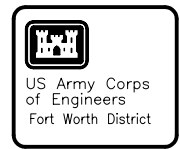
**TRINITY POINT
ISOLATION GATE STRUCTURE
PILE FOUNDATION**

SEQUENCE NO.
S-8C
Sheet 102 of 139

S:\2521\42275\STRU\as dwas\ S-308C 12/21/04 08:09 reddincc XREFS: 2521B-BS DESIGN FILE: S-308C.DWG

A B C D E F G H

6
5
4
3
2
1



CLEAR FORK POINT ISOLATION GATE FACILITY

PLAN
1/8" = 1'-0"

REFERENCE FILE:
REFERENCE FILE:
REFERENCE FILE:
REFERENCE FILE:

REFERENCE FILE:
REFERENCE FILE:
REFERENCE FILE:
REFERENCE FILE:

REFERENCE FILE:
REFERENCE FILE:
REFERENCE FILE:
REFERENCE FILE:

Symbol	Description	D.O. No.	Action	Date

Designed by: E. ARCHULETA	Date: JANUARY 2005
Dwn. by: C. REDDIN	Soi. No. XXXXXX
Reviewed by: W. SHERMAN	Contr. No. XXXXXX
Submitted by: W. SHERMAN STRUCTURAL ENGINEER	File name: XXXXX Plot date: XXXXXX Plot scale: XXXXXX

TARRANT REGIONAL WATER DISTRICT

FORT WORTH CENTRAL CITY
PRELIMINARY DESIGN

**CLEAR FORK
ISOLATION GATE STRUCTURE
PLAN**

SEQUENCE NO.
S-9

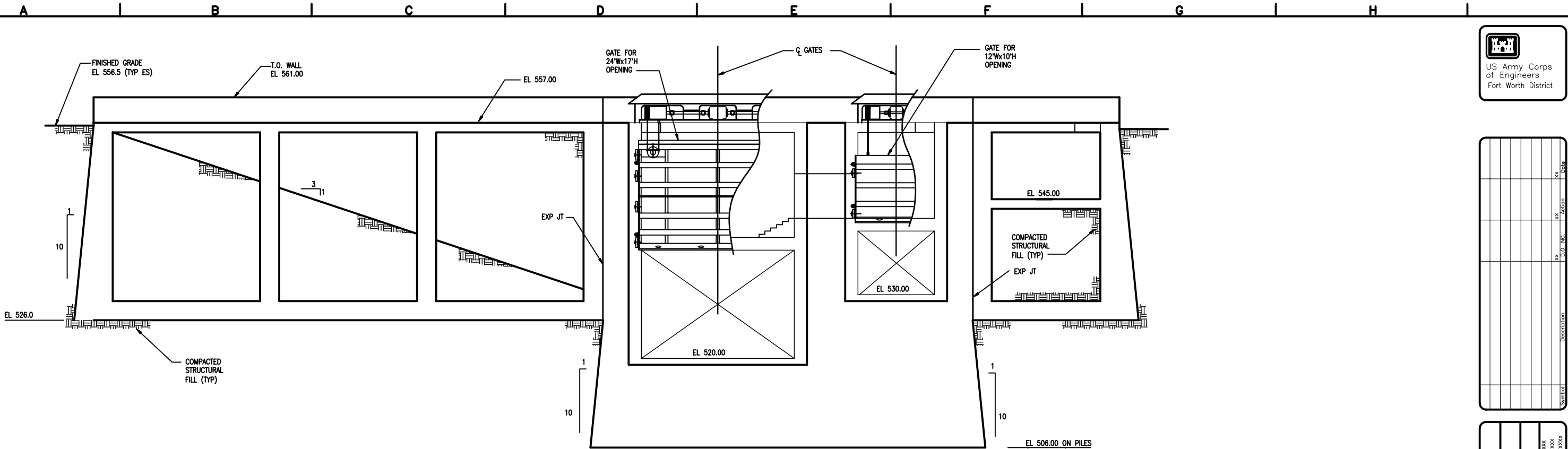
Sheet 103 of 139

8' 4' 0 8'
SCALE: 1/8" = 1'-0"
HALF SIZE PRINT

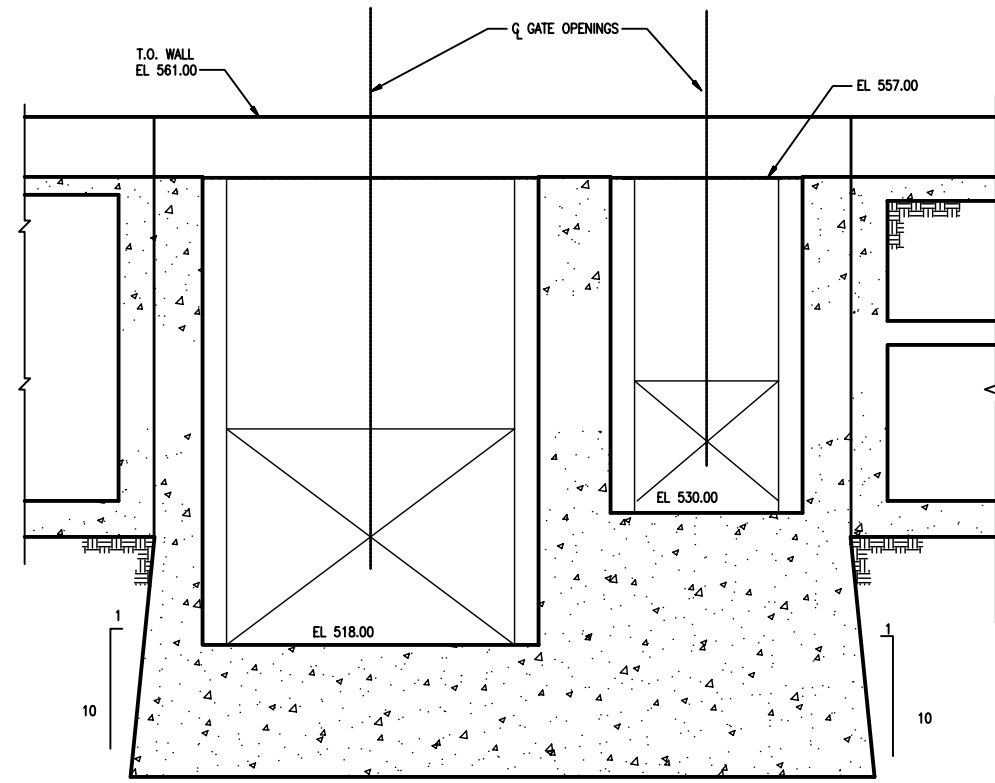
NOT FOR CONSTRUCTION
THIS DOCUMENT IS RELEASED FOR THE PURPOSE OF INTERIM REVIEW UNDER THE AUTHORITY OF WILLIAM C. SHERMAN, TEXAS NO. 68207 ON DATE: 01/05/05. IT IS NOT TO BE USED FOR CONSTRUCTION, BIDDING OR PERMIT PURPOSES.

DESIGN FILE: S-109.DWG

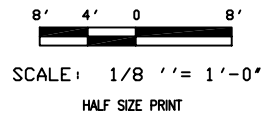
Contr. No.



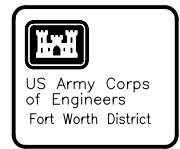
SECTION 1
1/8"=1'-0"



SECTION 2
1/8"=1'-0"



NOT FOR CONSTRUCTION
THIS DOCUMENT IS RELEASED FOR THE PURPOSE OF INTERIM REVIEW UNDER THE AUTHORITY OF WILLIAM C. SHERMAN, TEXAS NO. 68207 ON DATE: 01/05/05. IT IS NOT TO BE USED FOR CONSTRUCTION, BIDDING OR PERMIT PURPOSES.



Symbol	Description	D.O. No.	Action	Date

Designed by: E. ARCHULETA	Date: JANUARY 2005
Dwn by: C. REDDIN	Soi No: XXXXXX
Reviewed by: W. SHERMAN	Contr No: XXXXXX
Submitted by: W. SHERMAN	File name: XXXXX Plot date: XXXXX Plot scale: XXXXX

TARRANT REGIONAL WATER DISTRICT

**FORT WORTH CENTRAL CITY
PRELIMINARY DESIGN**

**CLEAR FORK
ISOLATION GATE STRUCTURE
LONGITUDINAL SECTIONS I**

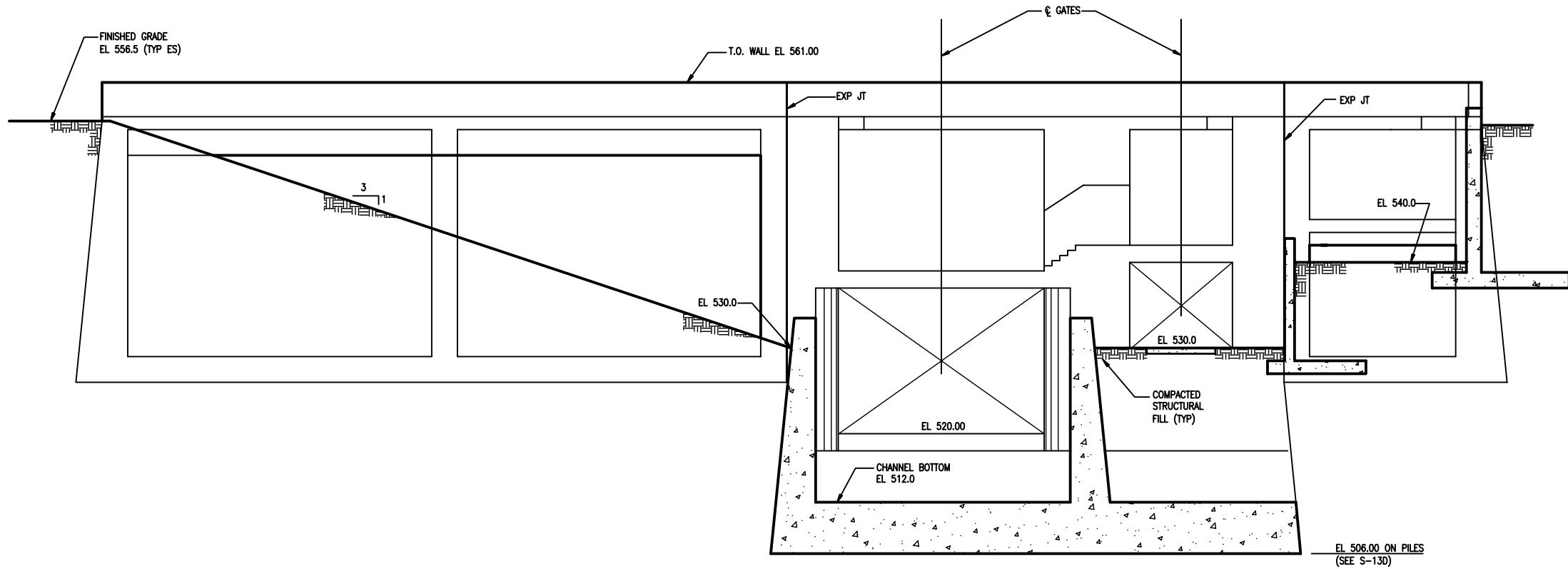
SEQUENCE NO.
S-10

Sheet 104 of 139

REFERENCE FILE:
REFERENCE FILE:
REFERENCE FILE:
REFERENCE FILE:

A B C D E F G H

6
5
4
3
2
1



SECTION 1
1/8" = 1'-0" S-9

8' 4' 0 8'
SCALE: 1/8" = 1'-0"
HALF SIZE PRINT

NOT FOR CONSTRUCTION
THIS DOCUMENT IS RELEASED FOR THE PURPOSE OF INTERIM REVIEW UNDER THE AUTHORITY OF WILLIAM C. SHERMAN TEXAS NO: 68207 ON DATE: 01/05/05 IT IS NOT TO BE USED FOR CONSTRUCTION, BIDDING OR PERMIT PURPOSES.



Symbol	Description	D.O. No.	Action	Date

Designed by: E. ARCHILETTA	Date: JANUARY 2005
Dwn by: C. REDDIN	Soi No: XXXXXX
Reviewed by: W. SHERMAN	Contr No: XXXXXX
Submitted by: W. SHERMAN STRUCTURAL ENGINEER	File name: XXXXX Plot date: XXXXX Plot scale: XXXXX

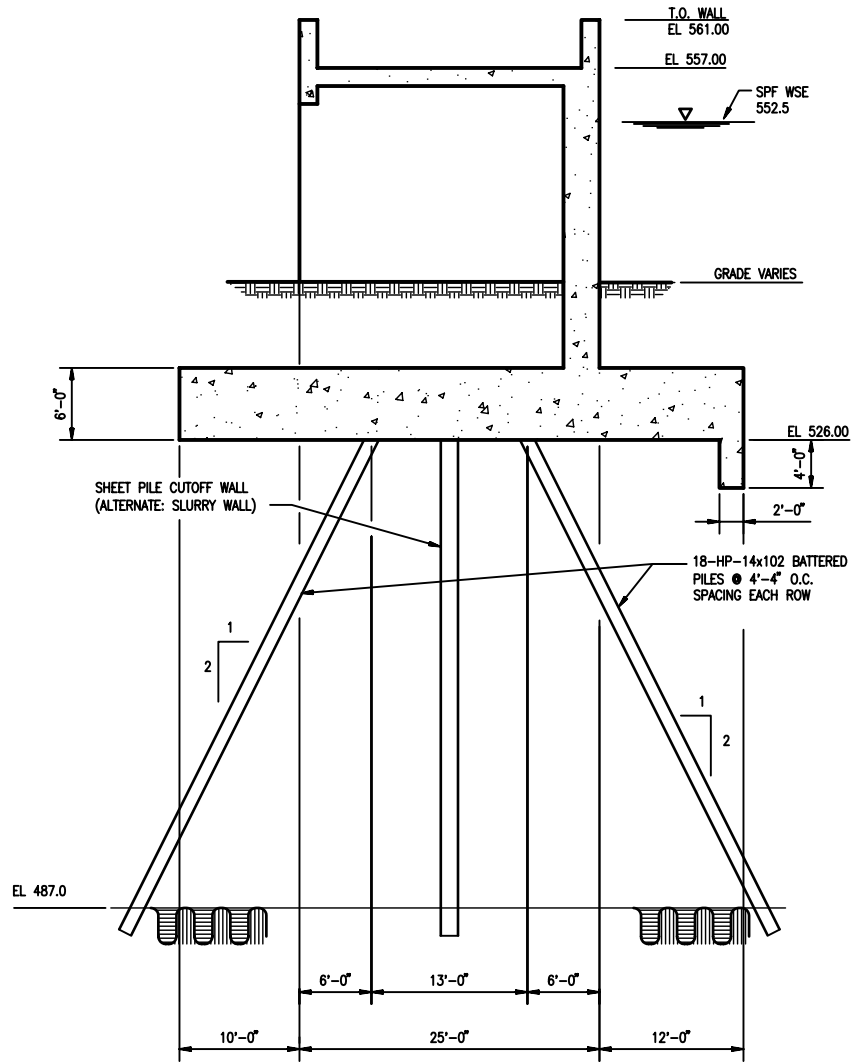
TARRANT REGIONAL WATER DISTRICT

CDM

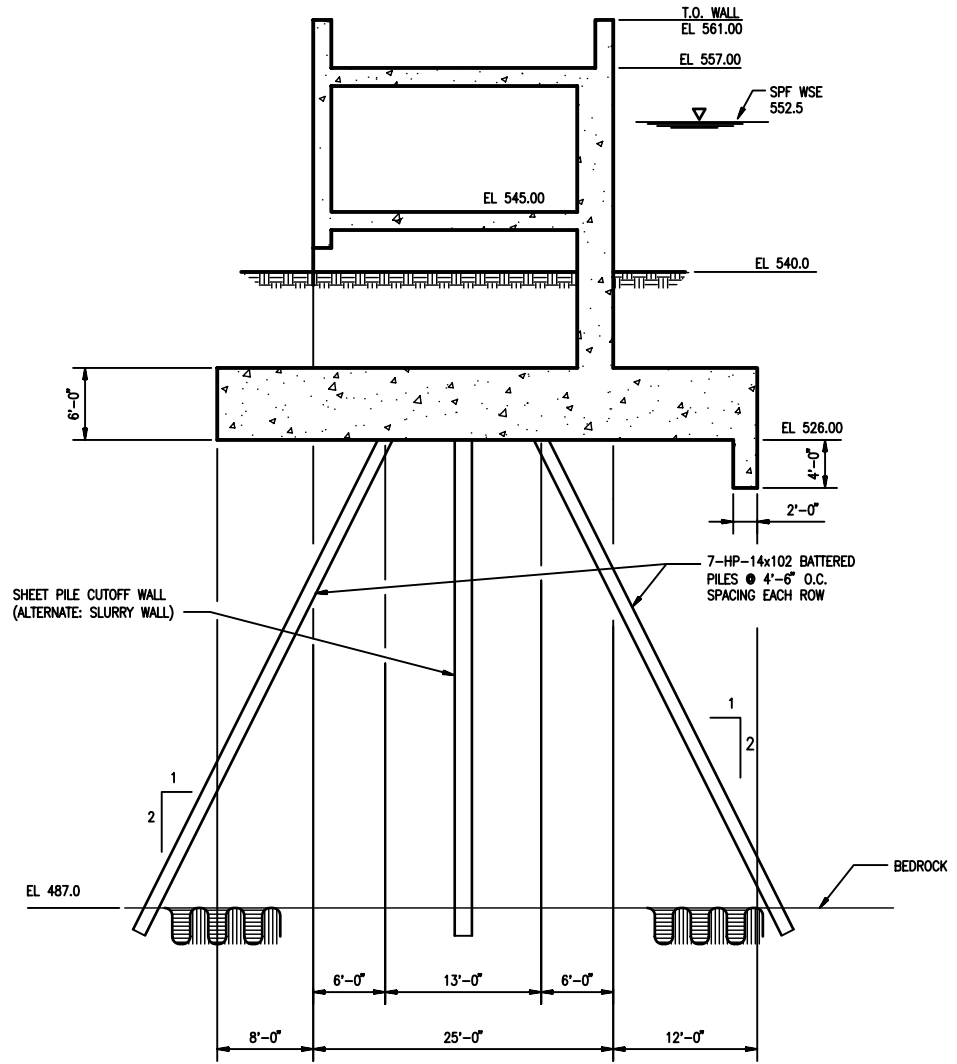
**FORT WORTH CENTRAL CITY
PRELIMINARY DESIGN**

**CLEAR FORK
ISOLATION GATE STRUCTURE
LONGITUDINAL SECTIONS II**

SEQUENCE NO.
S-11
Sheet 105 of 139



EAST ABUTMENT
SECTION 1
 1/8" = 1'-0"
 S-9



WEST ABUTMENT
SECTION 2
 1/8" = 1'-0"
 S-9

8' 4' 0 8'
 SCALE: 1/8" = 1'-0"
 HALF SIZE PRINT

NOT FOR CONSTRUCTION
 THIS DOCUMENT IS RELEASED FOR THE PURPOSE OF INTERIM REVIEW UNDER THE AUTHORITY OF WILLIAM C. SHERMAN, TEXAS NO. 68207 ON DATE: 01/05/05. IT IS NOT TO BE USED FOR CONSTRUCTION, BIDDING OR PERMIT PURPOSES.

Symbol	Description	D.O. No.	Action	Date

Designed by: E. ARCHULETA	Date: JANUARY 2005
Drawn by: C. REDDIN	Soil No. XXXXXX
Reviewed by: W. SHERMAN	Contr. No. XXXXXX
Submitted by: W. SHERMAN STRUCTURAL ENGINEER	File name: XXXXX Plot date: XXXXX Plot scale: XXXXXX

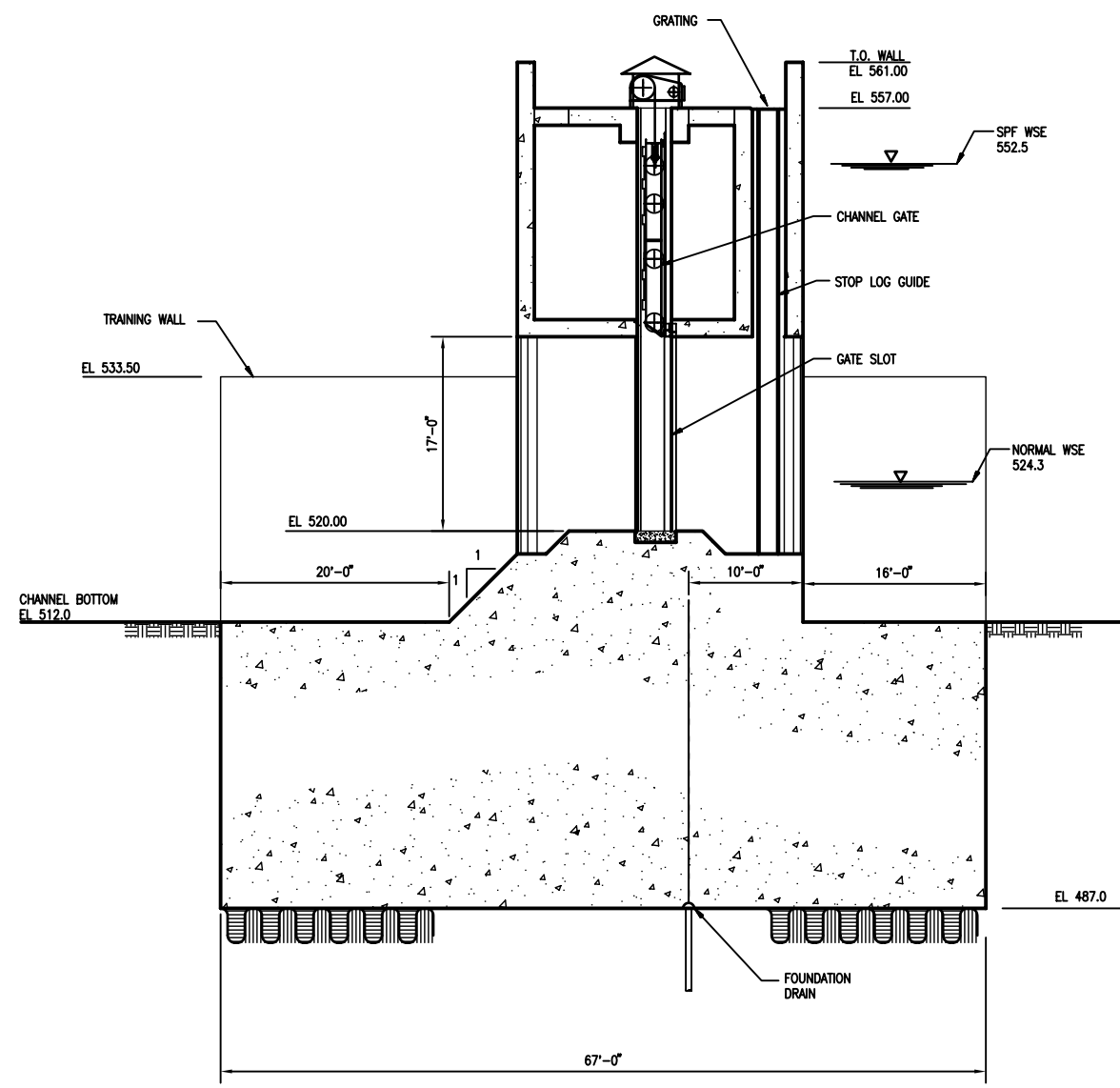
**FORT WORTH CENTRAL CITY
 PRELIMINARY DESIGN**
**CLEAR FORK
 ISOLATION GATE STRUCTURE
 SECTIONS AT ABUTMENTS**

SEQUENCE NO.
 S-12
 Sheet 106 of 139

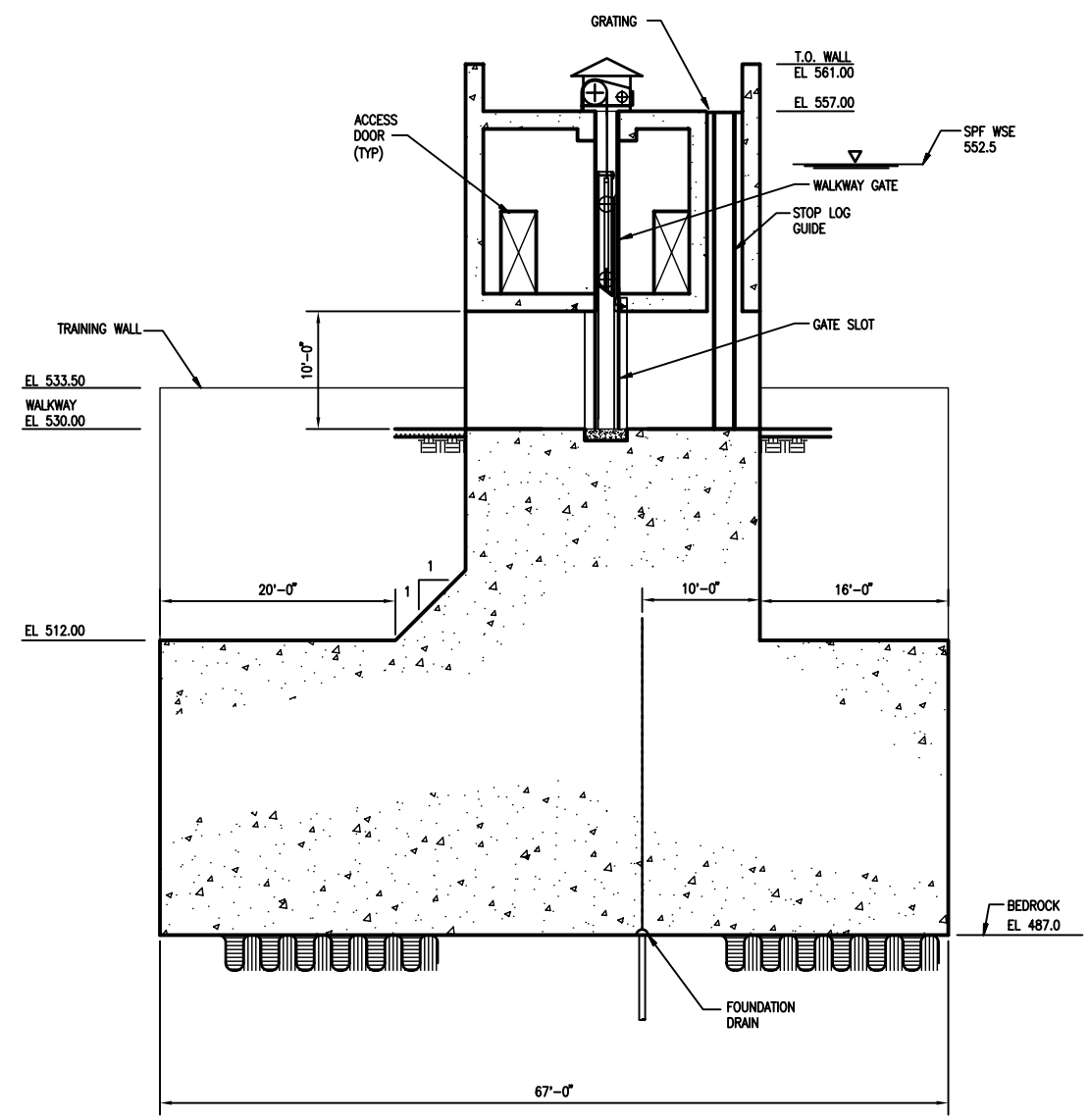
REFERENCE FILE:
 REFERENCE FILE:
 REFERENCE FILE:

REFERENCE FILE:
 REFERENCE FILE:
 REFERENCE FILE:

REFERENCE FILE:
 REFERENCE FILE:
 REFERENCE FILE:



SECTION 1
1/8" = 1'-0"



SECTION 2
1/8" = 1'-0"

8' 4' 0 8'
SCALE: 1/8" = 1'-0"
HALF SIZE PRINT

NOT FOR CONSTRUCTION
THIS DOCUMENT IS RELEASED FOR THE PURPOSE OF INTERIM REVIEW UNDER THE AUTHORITY OF WILLIAM C. SHERMAN TEXAS NO: 68207 ON DATE: 01/05/05 IT IS NOT TO BE USED FOR CONSTRUCTION, BIDDING OR PERMIT PURPOSES.

Symbol	Description	D.O. No.	Action	Date

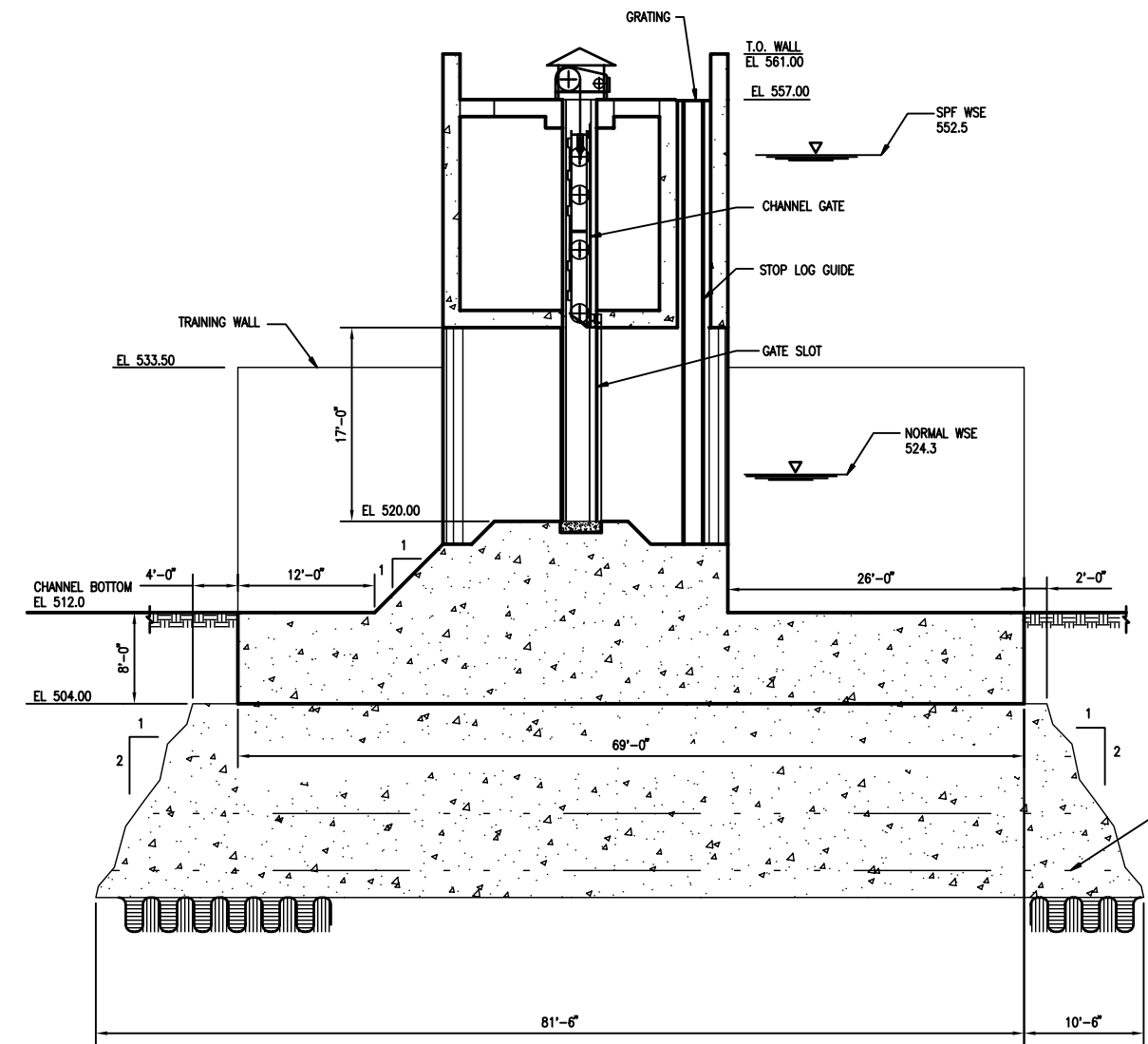
Designed by: E. ARCHULETTA	Date: JANUARY 2005
Dwn by: C. REDDIN	Soi No: XXXXXX
Reviewed by: W. SHERMAN	Contr. No: XXXXXX
Submitted by: W. SHERMAN	File name: XXXXX Plot date: XXXXX Plot scale: XXXXX

TARRANT REGIONAL WATER DISTRICT

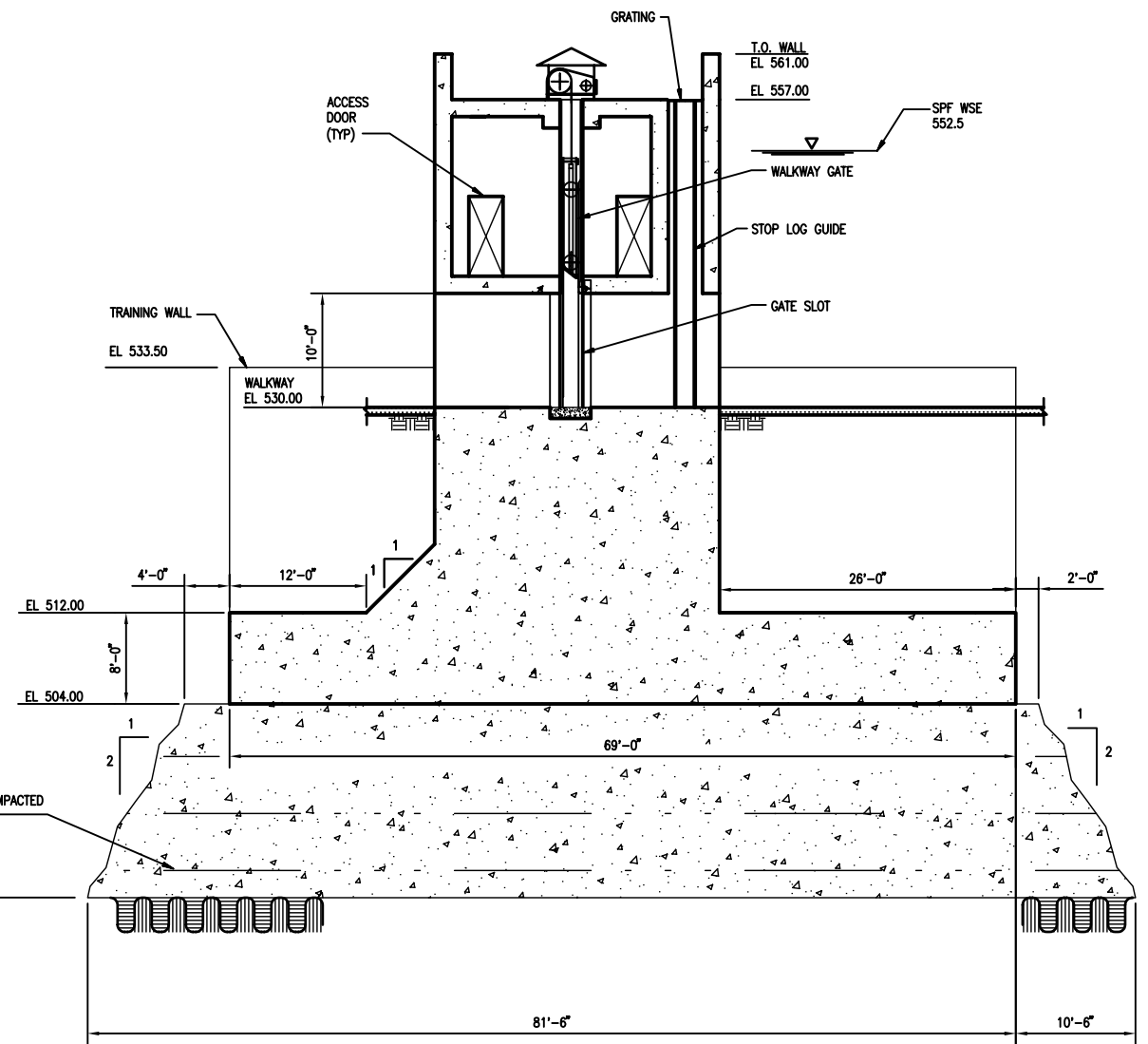
FORT WORTH CENTRAL CITY
PRELIMINARY DESIGN

**CLEAR FORK
ISOLATION GATE STRUCTURE
WITH FOUNDATION DRAINS**

SEQUENCE NO.
S-13B
Sheet 108 of 139



SECTION 1
1/8" = 1'-0"
S-9



SECTION 2
1/8" = 1'-0"
S-9

8' 4' 0 8'
SCALE: 1/8" = 1'-0"
HALF SIZE PRINT

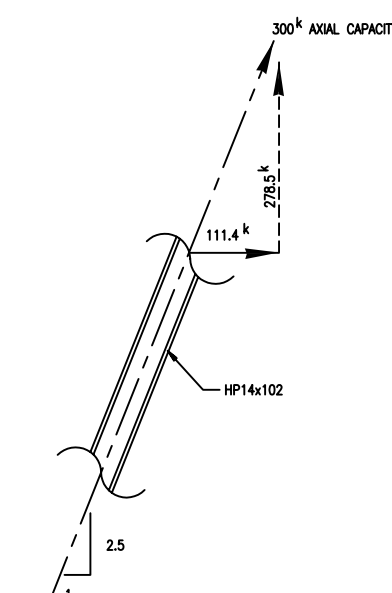
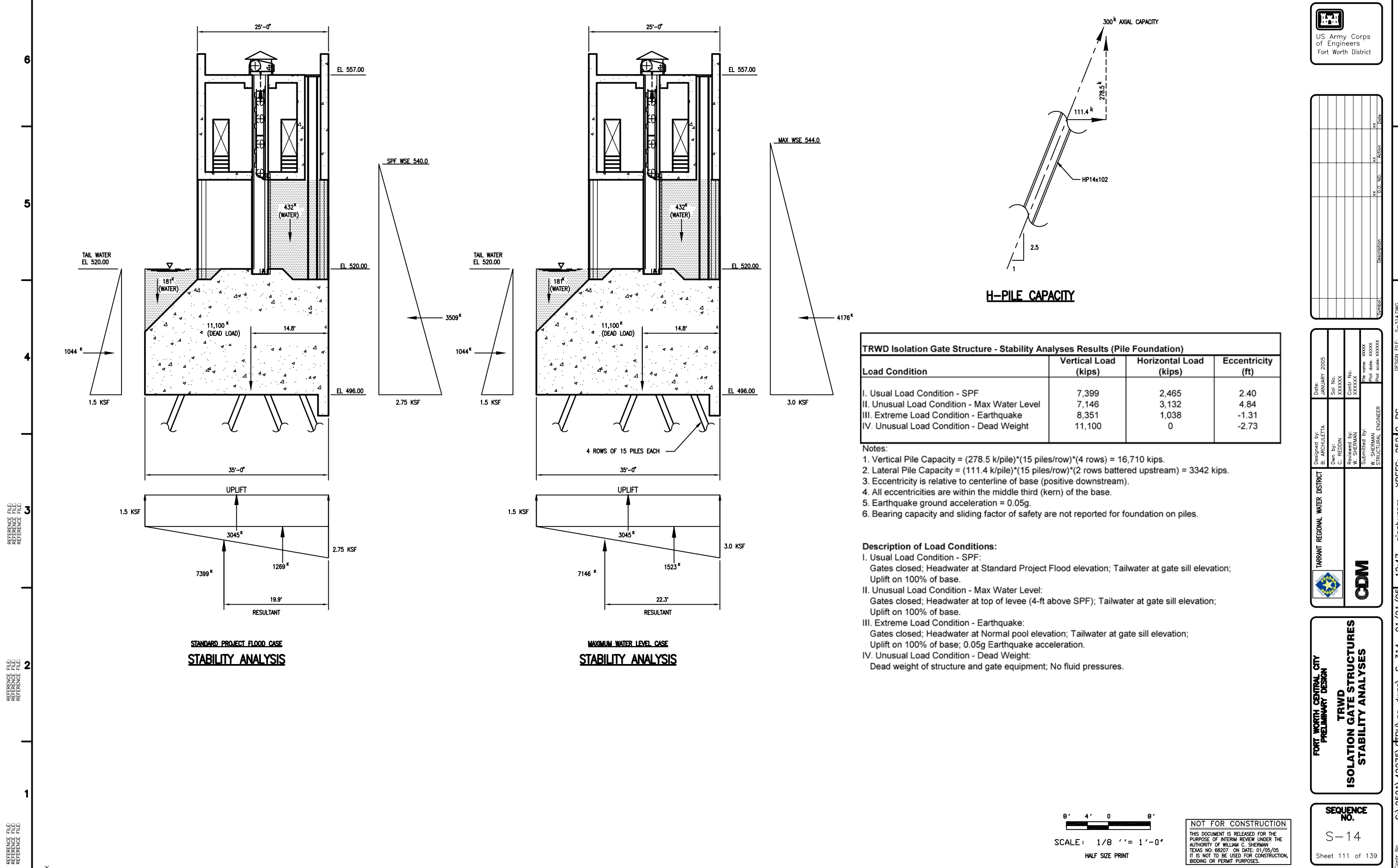
NOT FOR CONSTRUCTION
THIS DOCUMENT IS RELEASED FOR THE
PURPOSE OF INTERIM REVIEW UNDER THE
AUTHORITY OF WILLIAM C. SHERMAN
TEXAS NO. 68207 ON DATE: 01/05/05
IT IS NOT TO BE USED FOR CONSTRUCTION,
BIDDING OR PERMIT PURPOSES.

Symbol	Description	D.O. No.	Action	Date

Designed by: E. ARCHILETTA	Date: JANUARY 2005
Dwn. by: C. REDDIN	Soi. No. XXXXXX
Reviewed by: W. SHERMAN	Contr. No. XXXXXX
Submitted by: W. SHERMAN	File name: XXXXXX
STRUCTURAL ENGINEER	Plot date: XXXXXX
	Plot scale: XXXXXX

TARRANT REGIONAL WATER DISTRICT
CDM
FORT WORTH CENTRAL CITY
PRELIMINARY DESIGN
CLEAR FORK
ISOLATION GATE STRUCTURE
RCC FOUNDATION

SEQUENCE NO.
S-13C
Sheet 109 of 139



H-PILE CAPACITY

TRWD Isolation Gate Structure - Stability Analyses Results (Pile Foundation)			
Load Condition	Vertical Load (kips)	Horizontal Load (kips)	Eccentricity (ft)
I. Usual Load Condition - SPF	7,399	2,465	2.40
II. Unusual Load Condition - Max Water Level	7,146	3,132	4.84
III. Extreme Load Condition - Earthquake	8,351	1,038	-1.31
IV. Unusual Load Condition - Dead Weight	11,100	0	-2.73

- Notes:
- Vertical Pile Capacity = $(278.5 \text{ k/pile}) \times (15 \text{ piles/row}) \times (4 \text{ rows}) = 16,710 \text{ kips}$.
 - Lateral Pile Capacity = $(111.4 \text{ k/pile}) \times (15 \text{ piles/row}) \times (2 \text{ rows battered upstream}) = 3342 \text{ kips}$.
 - Eccentricity is relative to centerline of base (positive downstream).
 - All eccentricities are within the middle third (kern) of the base.
 - Earthquake ground acceleration = 0.05g.
 - Bearing capacity and sliding factor of safety are not reported for foundation on piles.

- Description of Load Conditions:**
- Usual Load Condition - SPF:**
Gates closed; Headwater at Standard Project Flood elevation; Tailwater at gate sill elevation; Uplift on 100% of base.
 - Unusual Load Condition - Max Water Level:**
Gates closed; Headwater at top of levee (4-ft above SPF); Tailwater at gate sill elevation; Uplift on 100% of base.
 - Extreme Load Condition - Earthquake:**
Gates closed; Headwater at Normal pool elevation; Tailwater at gate sill elevation; Uplift on 100% of base; 0.05g Earthquake acceleration.
 - Unusual Load Condition - Dead Weight:**
Dead weight of structure and gate equipment; No fluid pressures.

8' 4' 0 8'
SCALE: 1/8" = 1'-0"
HALF SIZE PRINT

NOT FOR CONSTRUCTION
THIS DOCUMENT IS RELEASED FOR THE PURPOSE OF INTERIM REVIEW UNDER THE AUTHORITY OF WILLIAM C. SHERMAN, TEXAS REG. NO. 68207 ON DATE: 01/05/05. IT IS NOT TO BE USED FOR CONSTRUCTION, BIDDING OR PERMIT PURPOSES.



Symbol	Description	D.O. No.	Action	Date

Designed by: B. ARCHILETTA	Date: JANUARY 2005
Dwn. by: C. REDDIN	Soil No.: XXXXXX
Reviewed by: W. SHERMAN	Cont. No.: XXXXXX
Submitted by: W. SHERMAN	File name: XXXXXX
STRUCTURAL ENGINEER	Plot scale: XXXXXX

TARRANT REGIONAL WATER DISTRICT
CDM

FORT WORTH CENTRAL CITY PRELIMINARY DESIGN
TRWD ISOLATION GATE STRUCTURES STABILITY ANALYSES


SEQUENCE NO.
S-14
Sheet 111 of 139

REFERENCE FILE:
REFERENCE FILE:
REFERENCE FILE:
REFERENCE FILE:

Date	Description	Symbol	D.O. No.	Action	xx

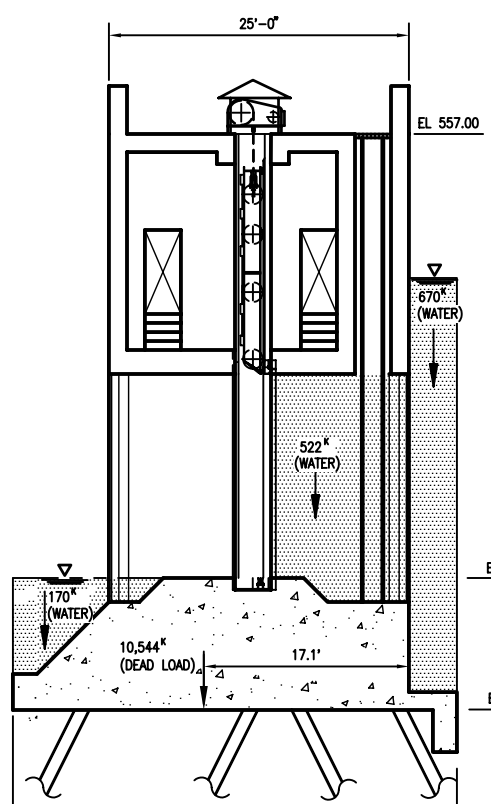
Designed by: B. ARCHULETA	Date: JANUARY 2005
Dwn by: C. REDDIN	Soil No. XXXXXX
Reviewed by: W. SHERMAN	Cont. No. XXXXXX
Submitted by: W. SHERMAN	File name: XXXXX
STRUCTURAL ENGINEER	Plot date: XXXXXX
	Plot scale: XXXXXX

TARRANT REGIONAL WATER DISTRICT

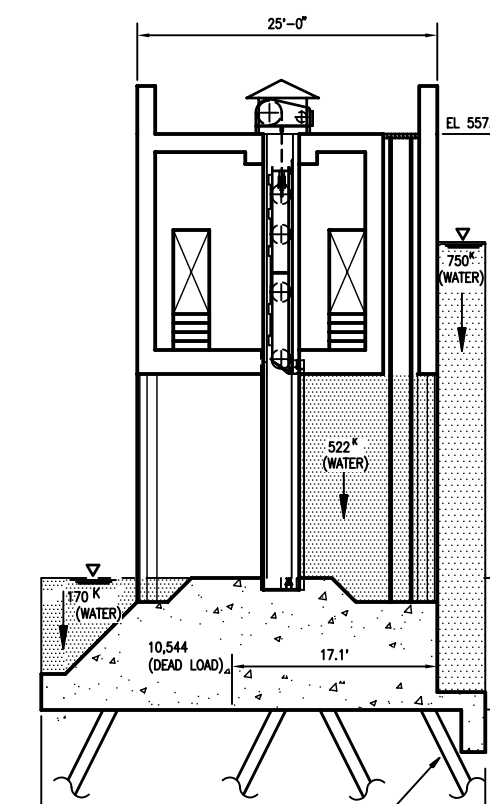


FORT WORTH CENTRAL CITY
PRELIMINARY DESIGN
**TRINITY POINT
ISOLATION GATE STRUCTURES
STABILITY ANALYSES**

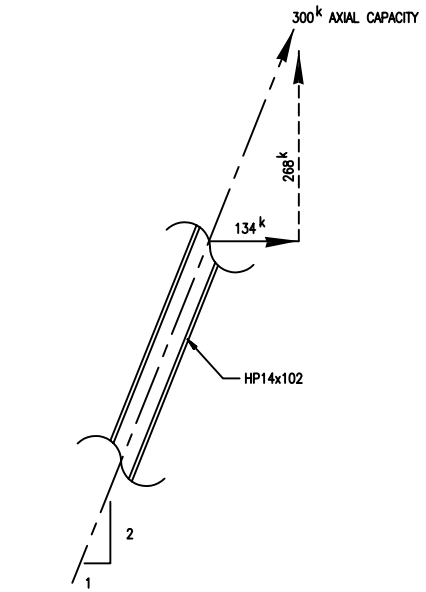
SEQUENCE NO.
S-15
Sheet 112 of 139



**STANDARD PROJECT FLOOD CASE
STABILITY ANALYSIS**



**MAXIMUM WATER LEVEL CASE
STABILITY ANALYSIS**



H-PILE CAPACITY

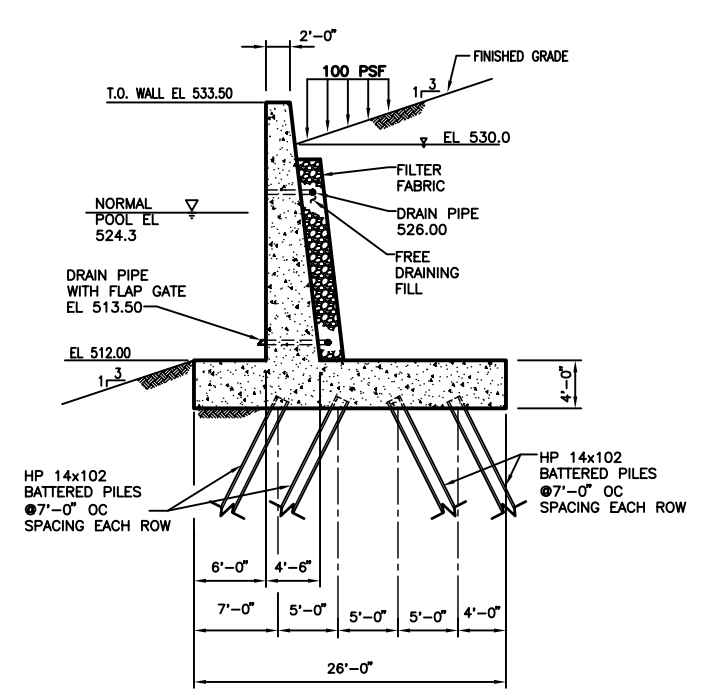
Load Condition	Vertical Load (kips)	Horizontal Load (kips)	Eccentricity (ft)
I. Usual Load Condition - SPF	7,512	3,028	3.45
II. Unusual Load Condition - Max Water Level	7,222	3,798	5.77
III. Extreme Load Condition - Earthquake	8,999	856	-0.69
IV. Unusual Load Condition - Dead Weight	10,544	0	-1.45

- Notes:
- Vertical Pile Capacity = (268 k/pile)*(15 piles/row)*(4 rows) = 16,080 kips.
 - Lateral Pile Capacity = (134 k/pile)*(15 piles/row)*(2 rows battered upstream) = 4020 kips.
 - Eccentricity is relative to centerline of base (positive downstream).
 - All eccentricities are within the middle third (kern) of the base.
 - Earthquake ground acceleration = 0.05g.
 - Bearing capacity and sliding factor of safety are not reported for foundation on piles.

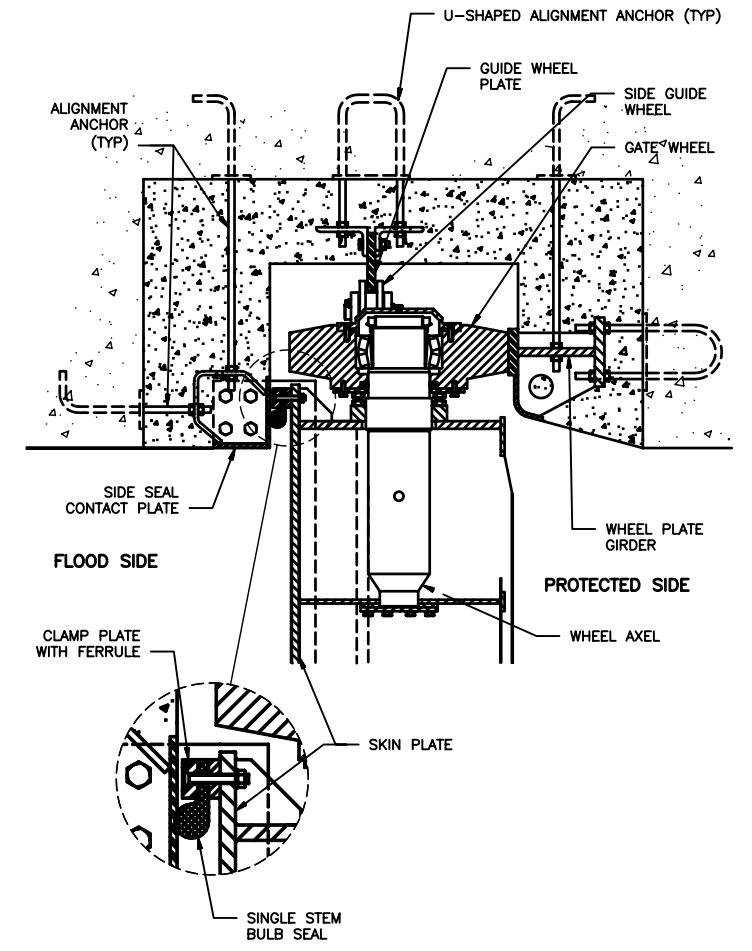
- Description of Load Conditions:**
- I. Usual Load Condition - SPF:**
Gates closed; Headwater at Standard Project Flood elevation; Tailwater at gate sill elevation; Uplift on 100% of base.
 - II. Unusual Load Condition - Max Water Level:**
Gates closed; Headwater at top of levee (4-ft above SPF); Tailwater at gate sill elevation; Uplift on 100% of base.
 - III. Extreme Load Condition - Earthquake:**
Gates closed; Headwater at Normal pool elevation; Tailwater at gate sill elevation; Uplift on 100% of base; 0.05g Earthquake acceleration.
 - IV. Unusual Load Condition - Dead Weight:**
Dead weight of structure and gate equipment; No fluid pressures.

SCALE: 1/8" = 1'-0"
HALF SIZE PRINT

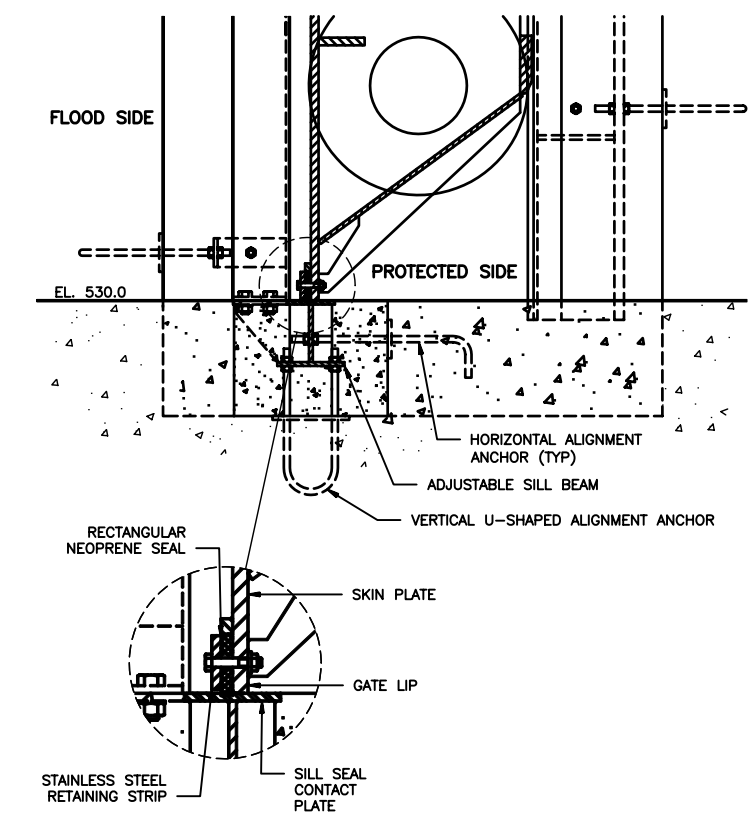
NOT FOR CONSTRUCTION
THIS DOCUMENT IS RELEASED FOR THE PURPOSE OF INTERIM REVIEW UNDER THE AUTHORITY OF WILLIAM C. SHERMAN TEXAS NO: 68207 ON DATE: 01/05/05 IT IS NOT TO BE USED FOR CONSTRUCTION, BIDDING OR PERMIT PURPOSES.



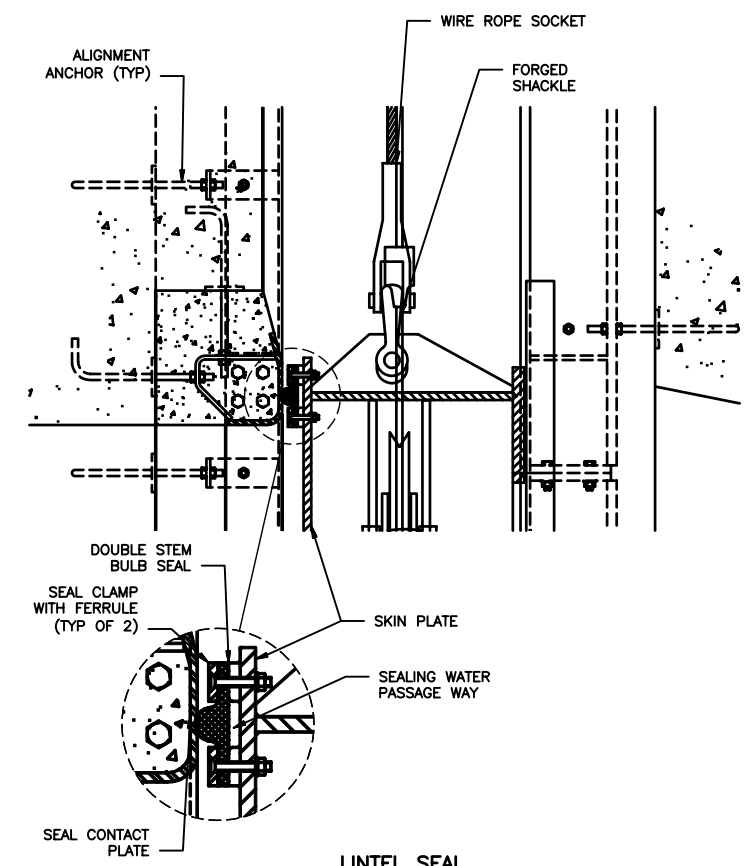
**TRAINING WALL
DETAIL**
1/8" = 1'-0"



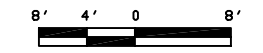
**GATE SLOT, WHEEL
GUIDE AND SIDE SEAL
DETAILS**
NTS



**SILL SEAL
DETAIL**
NTS



**LINTEL SEAL
DETAIL**
NTS



SCALE: 1/8" = 1'-0"
HALF SIZE PRINT

NOT FOR CONSTRUCTION
THIS DOCUMENT IS RELEASED FOR THE
PURPOSE OF INTERIM REVIEW UNDER THE
AUTHORITY OF WILLIAM C. SHERMAN
TEXAS NO. 68207 ON DATE: 01/05/05
IT IS NOT TO BE USED FOR CONSTRUCTION,
BIDDING OR PERMIT PURPOSES.

REFERENCE FILE:
REFERENCE FILE:
REFERENCE FILE:
REFERENCE FILE:
REFERENCE FILE:
REFERENCE FILE:
REFERENCE FILE:
REFERENCE FILE:
REFERENCE FILE:
REFERENCE FILE:

Symbol	Description	D.O. No.	Action	Date

Date: JANUARY 2005	Soil No. XXXXX	Contr. No. XXXXXX	File name: XXXXX
Designed by: M. OLSON	Dwn. by: B. LATHAM	Reviewed by: D. FUNDERLIC	Plot date: XXXXXX
Submitted by:			

TARRANT REGIONAL WATER DISTRICT

CDM

**FORT WORTH CENTRAL CITY
PRELIMINARY DESIGN**

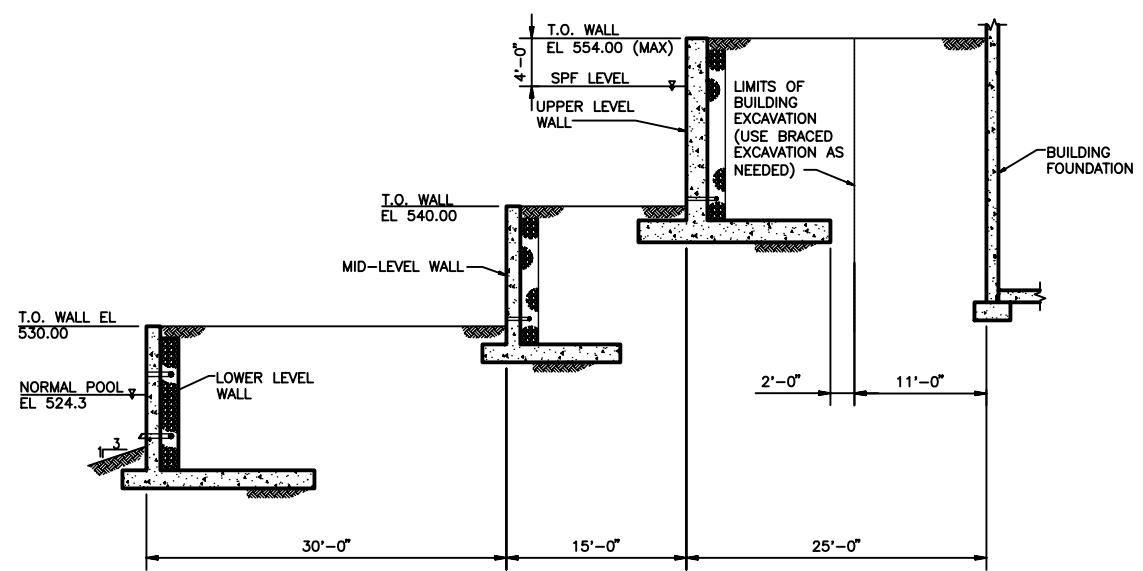
**ISOLATION GATE STRUCTURE
DETAILS**

**SEQUENCE
NO.**
S-17

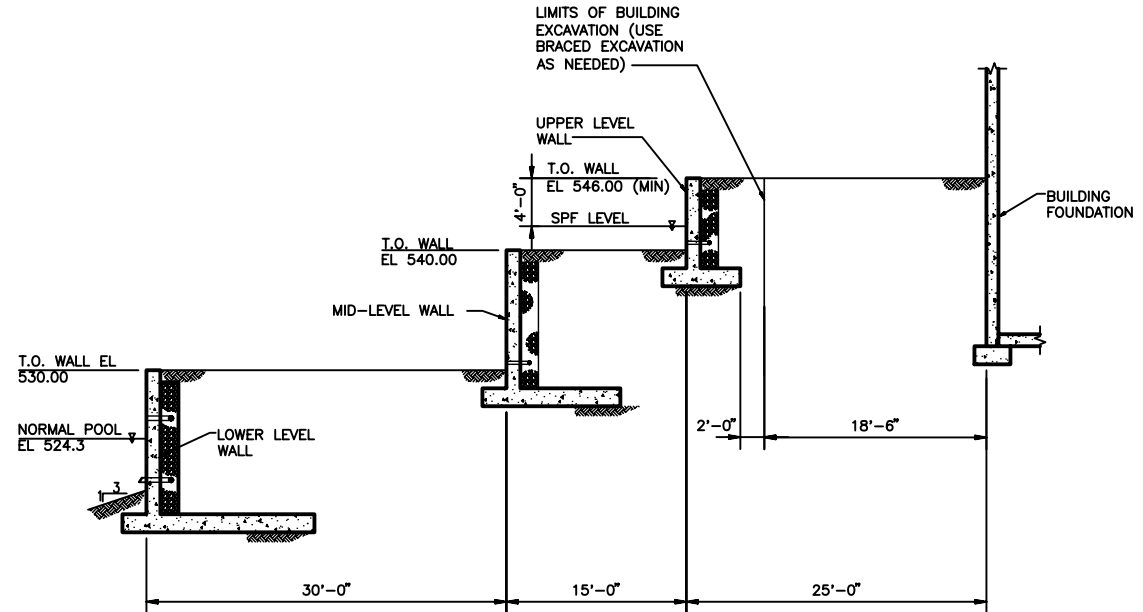
Sheet 114 of 139

A B C D E F G H

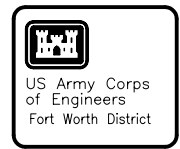
6
5
4
3
2
1



LOOKING NORTH - BYPASS CHANNEL
WITH TALL UPPER WALL
ELEVATION
1/8" = 1'-0"



LOOKING NORTH - BYPASS CHANNEL
WITH SHORT UPPER WALL
ELEVATION
1/8" = 1'-0"



Symbol	Description	D.O. No.	Action	Date

Designed by: E. ARCHILETTA	Date: JANUARY 2005
Dwn by: M. GIBBURG	Soi No. XXXXXX
Reviewed by: W. SHERMAN	Contr. No. XXXXXX
Submitted by: W. SHERMAN STRUCTURAL ENGINEER	File name: XXXX Plot date: XXXXX Plot scale: XXXXX

TARRANT REGIONAL WATER DISTRICT

FORT WORTH CENTRAL CITY
PRELIMINARY DESIGN

**BYPASS CHANNEL
RETAINING WALLS**

8' 4' 0 8'
SCALE: 1/8" = 1'-0"
HALF SIZE PRINT

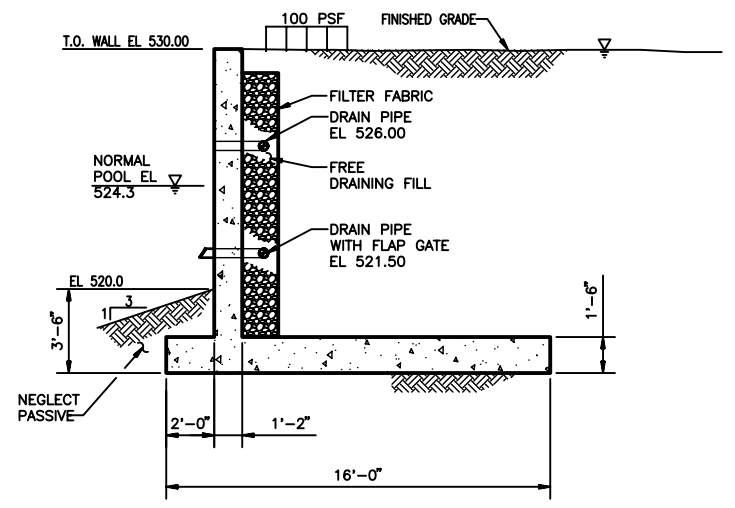
NOT FOR CONSTRUCTION
THIS DOCUMENT IS RELEASED FOR THE
PURPOSE OF INTERIM REVIEW UNDER THE
AUTHORITY OF WILLIAM C. SHERMAN
TEXAS NO: 68207 ON DATE: 01/05/05
IT IS NOT TO BE USED FOR CONSTRUCTION,
BIDDING OR PERMIT PURPOSES.

SEQUENCE
NO.
SB-1
Sheet 115 of 139

S:\2521\42275\TRU\gs_dwgs\SB-1_01/24/05 11:35 redmncp XREFS: 2521G1PS DESIGN FILE: SB-1.DWG

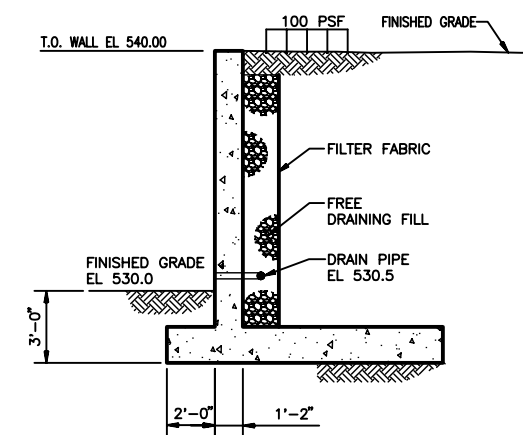


US Army Corps
of Engineers
Fort Worth District



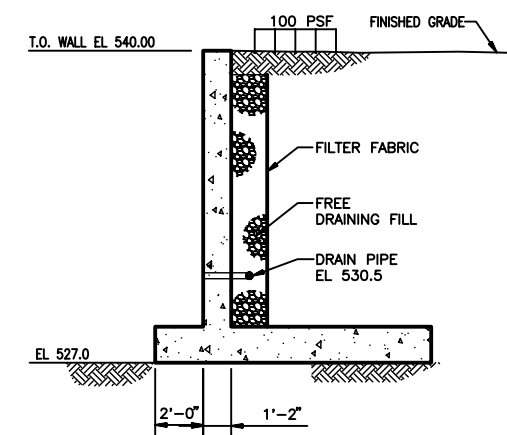
LOWER LEVEL WALL - NORMAL LOADING CONDITION
(REQUIRED FACTOR OF SAFETY = 1.50)

ELEVATION
1/4" = 1'-0"



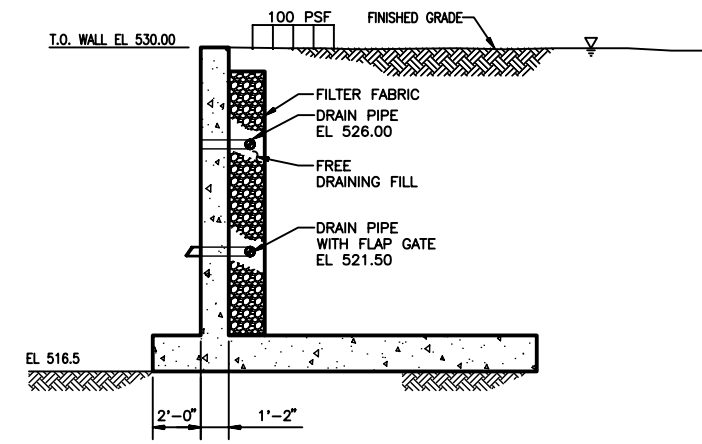
MID-LEVEL WALL - NORMAL LOADING CONDITION
(REQUIRED FACTOR OF SAFETY = 1.50)

ELEVATION
1/4" = 1'-0"



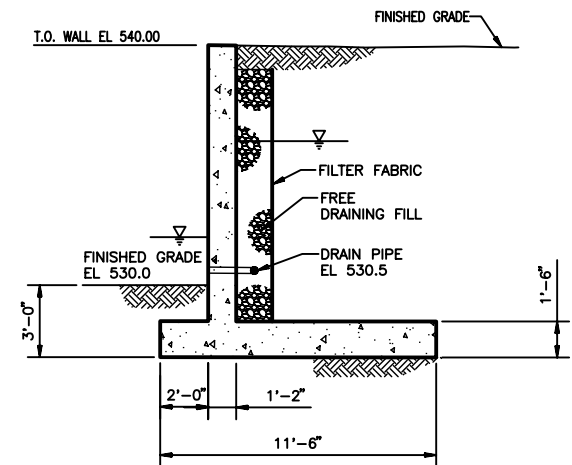
MID-LEVEL WALL - CONSTRUCTION LOADING CONDITION
(REQUIRED FACTOR OF SAFETY = 1.33)

ELEVATION
1/4" = 1'-0"



LOWER LEVEL WALL - CONSTRUCTION/MAINTENANCE LOADING CONDITION
(REQUIRED FACTOR OF SAFETY = 1.33)

ELEVATION
1/4" = 1'-0"

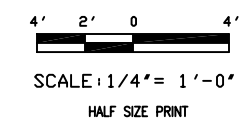


MID-LEVEL WALL - FLOOD/DRAWDOWN LOADING CONDITION
(REQUIRED FACTOR OF SAFETY = 1.50)

ELEVATION
1/4" = 1'-0"

LOOKING NORTH - BYPASS CHANNEL
WITH TALL UPPER WALL

ELEVATION



NOT FOR CONSTRUCTION
THIS DOCUMENT IS RELEASED FOR THE
PURPOSE OF INTERIM REVIEW UNDER THE
AUTHORITY OF WILLIAM C. SHERMAN
TEXAS NO: 68207 ON DATE: 01/05/05
IT IS NOT TO BE USED FOR CONSTRUCTION,
BIDDING OR PERMIT PURPOSES.

Symbol	Description	D.O. No.	Action	Date

Designed by: Name: B. ARCHULETTA	Date: JANUARY 2005
Drawn by: Name: M. GINZBURG	Soil No. XXXXXX
Reviewed by: Name: W. SHERMAN	Contr. No. XXXXXX
Submitted by: Name: W. SHERMAN	File name: XXXXX
TITLE: STRUCTURAL ENGINEER	Plot date: XXXXXX
	Plot scale: XXXXXX

TARRANT REGIONAL WATER DISTRICT

FORT WORTH CENTRAL CITY
PRELIMINARY DESIGN

**LOWER AND MID-LEVEL
RETAINING WALLS
LOADING CONDITIONS**

SEQUENCE
NO.
SB-2

Sheet 116 of 139

REFERENCE FILE: XX
REFERENCE FILE: XX
REFERENCE FILE: XX

REFERENCE FILE: XX
REFERENCE FILE: XX
REFERENCE FILE: XX

REFERENCE FILE: XX
REFERENCE FILE: XX
REFERENCE FILE: XX

6

5

4

3

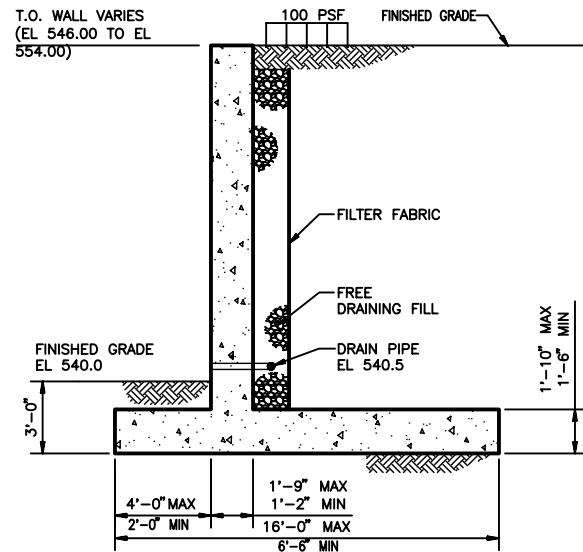
2

1

REFERENCE FILE: XX
REFERENCE FILE: XX
REFERENCE FILE: XX

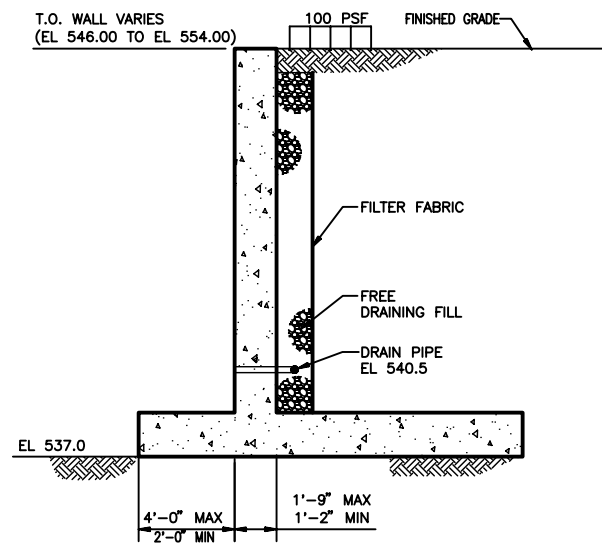
REFERENCE FILE: XX
REFERENCE FILE: XX
REFERENCE FILE: XX

REFERENCE FILE: XX
REFERENCE FILE: XX
REFERENCE FILE: XX



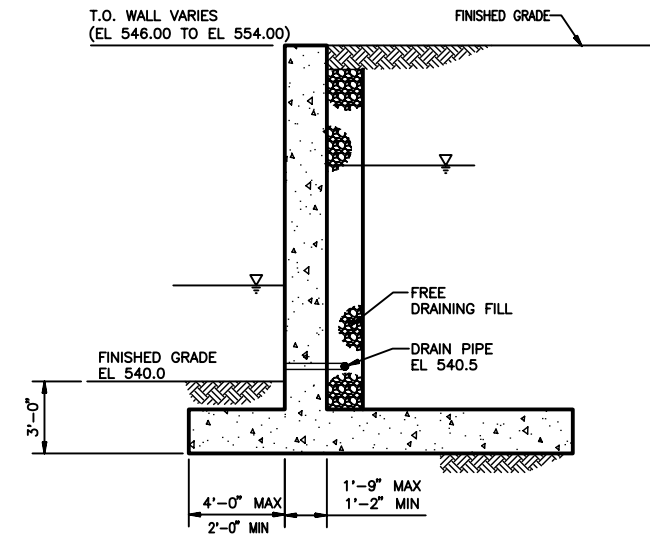
UPPER LEVEL WALL - NORMAL LOADING CONDITION
(REQUIRED FACTOR OF SAFETY = 1.50)

ELEVATION
1/4" = 1'-0"



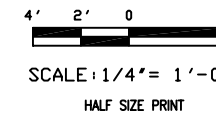
UPPER LEVEL WALL - CONSTRUCTION LOADING CONDITION
(REQUIRED FACTOR OF SAFETY = 1.33)

ELEVATION
1/4" = 1'-0"



UPPER LEVEL WALL - FLOOD/DRAWDOWN LOADING CONDITION
(REQUIRED FACTOR OF SAFETY = 1.50)

ELEVATION
1/4" = 1'-0"



NOT FOR CONSTRUCTION
THIS DOCUMENT IS RELEASED FOR THE PURPOSE OF INTERIM REVIEW UNDER THE AUTHORITY OF WILLIAM C. SHERMAN TEXAS REG. 68207 ON DATE: 01/05/05 IT IS NOT TO BE USED FOR CONSTRUCTION, BIDDING OR PERMIT PURPOSES.



Symbol	Description	D.O. No.	Action	Date

Designed by: Name: B. ARCHULETTA	Date: JANUARY 2005
Dwn. by: Name: M. GINZBURG	Soi. No.: XXXXXX
Reviewed by: Name: W. SHERMAN	Contr. No.: XXXXXX
Submitted by: Name: W. SHERMAN	File name: XXXXX
TITLE: STRUCTURAL ENGINEER	Plot date: XXXXXX
	Plot scale: XXXXXX

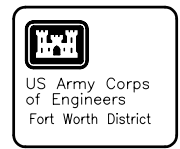
TARRANT REGIONAL WATER DISTRICT

CDM

FORT WORTH CENTRAL CITY
PRELIMINARY DESIGN

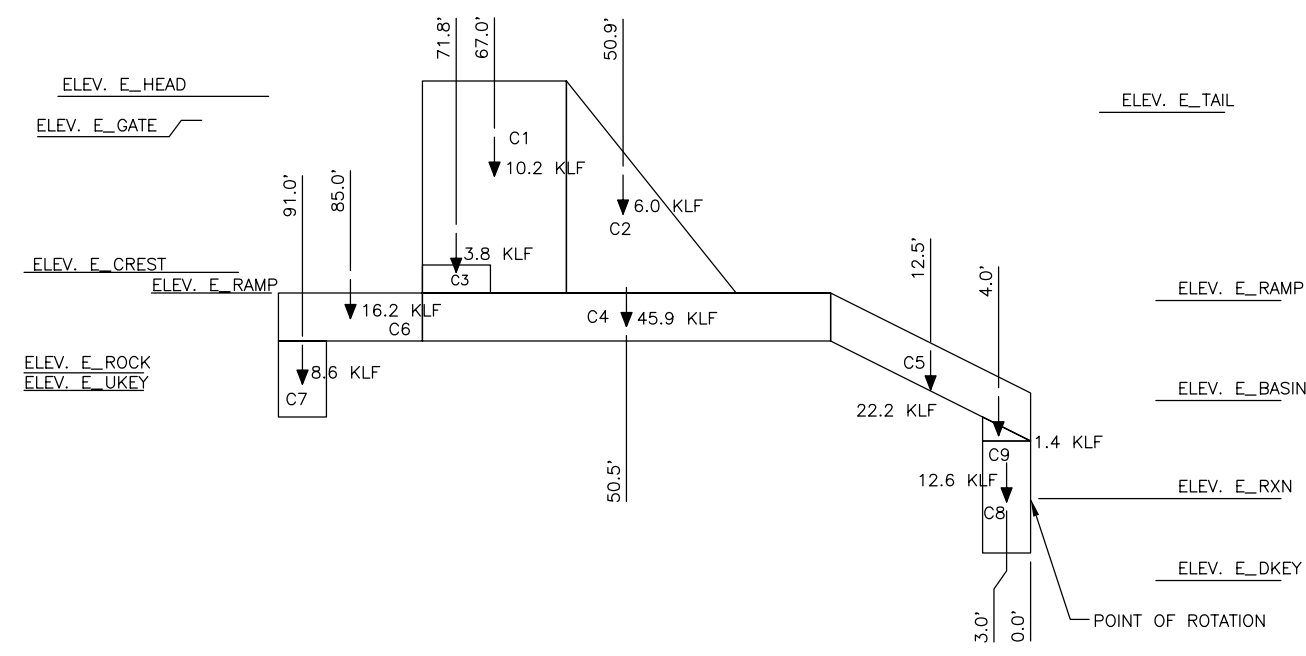
**UPPER LEVEL
RETAINING WALLS
LOADING CONDITIONS**

SEQUENCE NO.
SB-3
Sheet 117 of 139

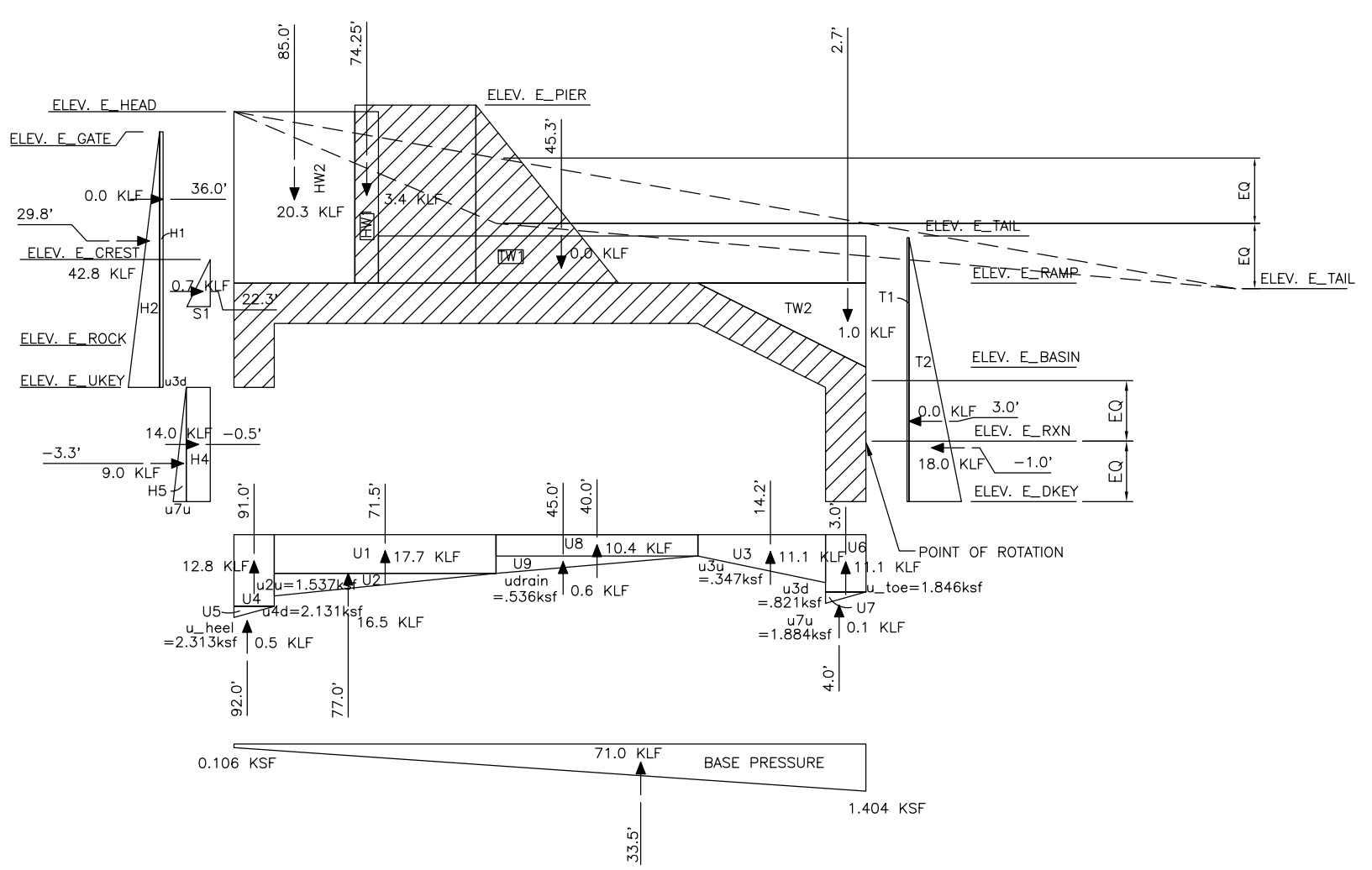


DESIGN SUMMARY

LOAD CASE	FX TOTAL (KLF)	FY TOTAL (KLF)	FZ TOTAL (KLF)	e (FT)	FS SLIDE	BASE IN COMPRESSION (%)	BEARING PRESSURE (KSF)	
							HEEL	TOE
I	48.5	0.0	71.0	13.46	SEE SHT SS-10	100.0	0.106	1.404



DAM ON ROCK - GRAVITY LOADS W/ OUT HYDRAULIC LOADS



DAM ON ROCK - HYDRAULIC AND LATERAL LOADS

LEGEND:

FX = SUM OF ALL HORIZONTAL FORCES IN THE GLOBAL X DIRECTION (POSITIVE DOWNSTREAM) CONSIDERING ANY UPLIFT EFFECTS

FY = SUM OF ALL HORIZONTAL FORCES IN THE GLOBAL Y DIRECTION CONSIDERING ANY UPLIFT EFFECTS

FZ = SUM OF ALL VERTICAL FORCES IN THE GLOBAL Z DIRECTION (POSITIVE DOWNWARD) CONSIDERING ANY UPLIFT EFFECTS

e = DISTANCE BETWEEN RESULTANT AND CENTROID OF BASE CONSIDERING ANY UPLIFT EFFECTS

FS = FACTOR OF SAFETY FOR SLIDING STABILITY

DESIGN PARAMETERS:

WATER = 0.0625 KCF
 CONCRETE = 0.150 KCF
 WIND = NOT CONSIDERED
 SEISMIC = NOT CONSIDERED

SLIDING FAILURE PLANE:
 $\phi = 25^\circ$
 C = 0 KSF

LOADING CONDITIONS:

I NORMAL OPERATING CONDITION, HEADWATER ELEV. 525.0-FT FLOWING OVER CLOSED GATES AND TAILWATER ELEV. 495.0-FT, 100% UPLIFT

NO.	DESCRIPTION	DATE	BY	CHECKED

DESIGNED BY: JLR
 DRAWN BY: CML
 REVIEWED BY: JLR
 SUBMITTED BY: JLR

DATE: JANUARY 2005
 SOI NO.:
 CONTR. NO.: CDM04188
 FILE NAME: ST-DAM-EL-802
 PLOT SCALE: AS SHOWN

TARRANT REGIONAL WATER DISTRICT

CDM

FORT WORTH CENTRAL CITY
 PRELIMINARY DESIGN

SAMUELS AVENUE DAM
 DAM ON ROCK
 ROTATIONAL STABILITY ANALYSES

NOT FOR CONSTRUCTION

THIS DOCUMENT IS RELEASED FOR THE PURPOSE OF INTERIM REVIEW UNDER THE AUTHORITY OF JOHN LEE RUTLEDGE, P.E., TEXAS REG. 85045 ON DATE 10/5/2004. IT IS NOT TO BE USED FOR CONSTRUCTION, BIDDING OR PERMIT PURPOSES.

SEQUENCE NO.
 SS-9

Sheet 126 of 139

[CDM04188]N:\WORK\REPORTS\ST-DAM-EL-802.DWG_LAYOUT: Layout1
 JAN 20, 2005 11:25:05 A.M. LRS: 1.00 PLS: 1 TWIST: 0.0
 REFERENCE FILE: N:\STANDARD\2521G-B5


DESIGN FILE: ST-DAM-EL-802

Contr. No.

Date	Description	Drawn by	Checked by	Scale

Designed by: JLR	Date: JANUARY 2005
Drawn by: CAL	Soil No.:
Reviewed by: JLR	Contr. No. CDM04FB
Submitted by: NAME	File name: Plot scale: OCT. 2004 Plot scale: AS SHOWN
TITLE	

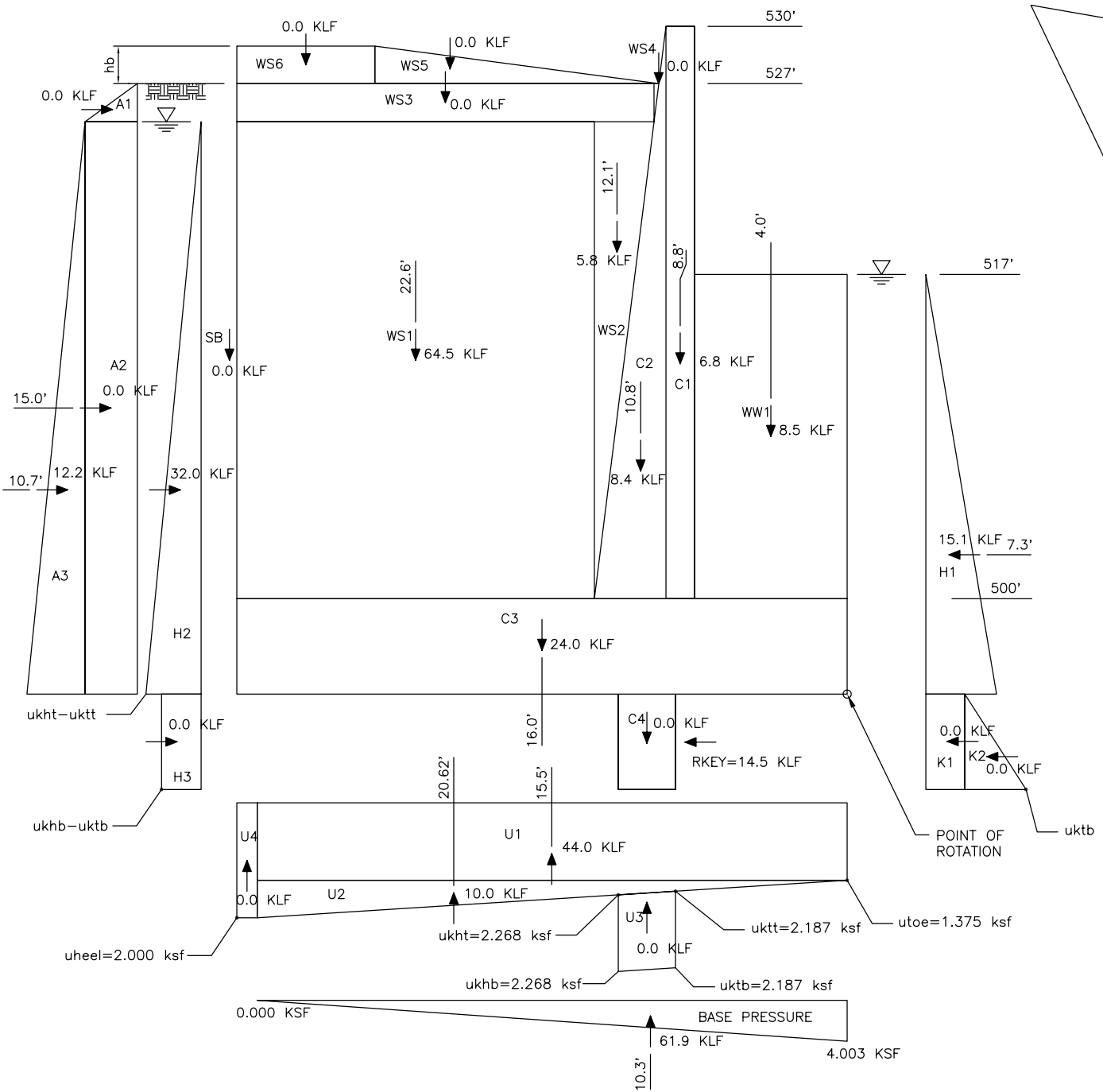
TARRANT REGIONAL WATER DISTRICT



CDM

FORT WORTH CENTRAL CITY
PRELIMINARY DESIGN
SAMUELS AVENUE DAM
UPSTREAM TRAINING WALL
SLIDING STABILITY ANALYSES

User: CAM
 [CDM04188]N:\WORK\REPORT\ST-DAM-EL-B05.DWG LAYOUT: Layout1
 JAN 11, 2005 11:29:41 A.M. LTS: 1.00 PSLTS: 1 TWIST: 0.0
 REFERENCE FILE: N:\STANDARD\2521G-B5



ROTATIONAL STABILITY ANALYSIS

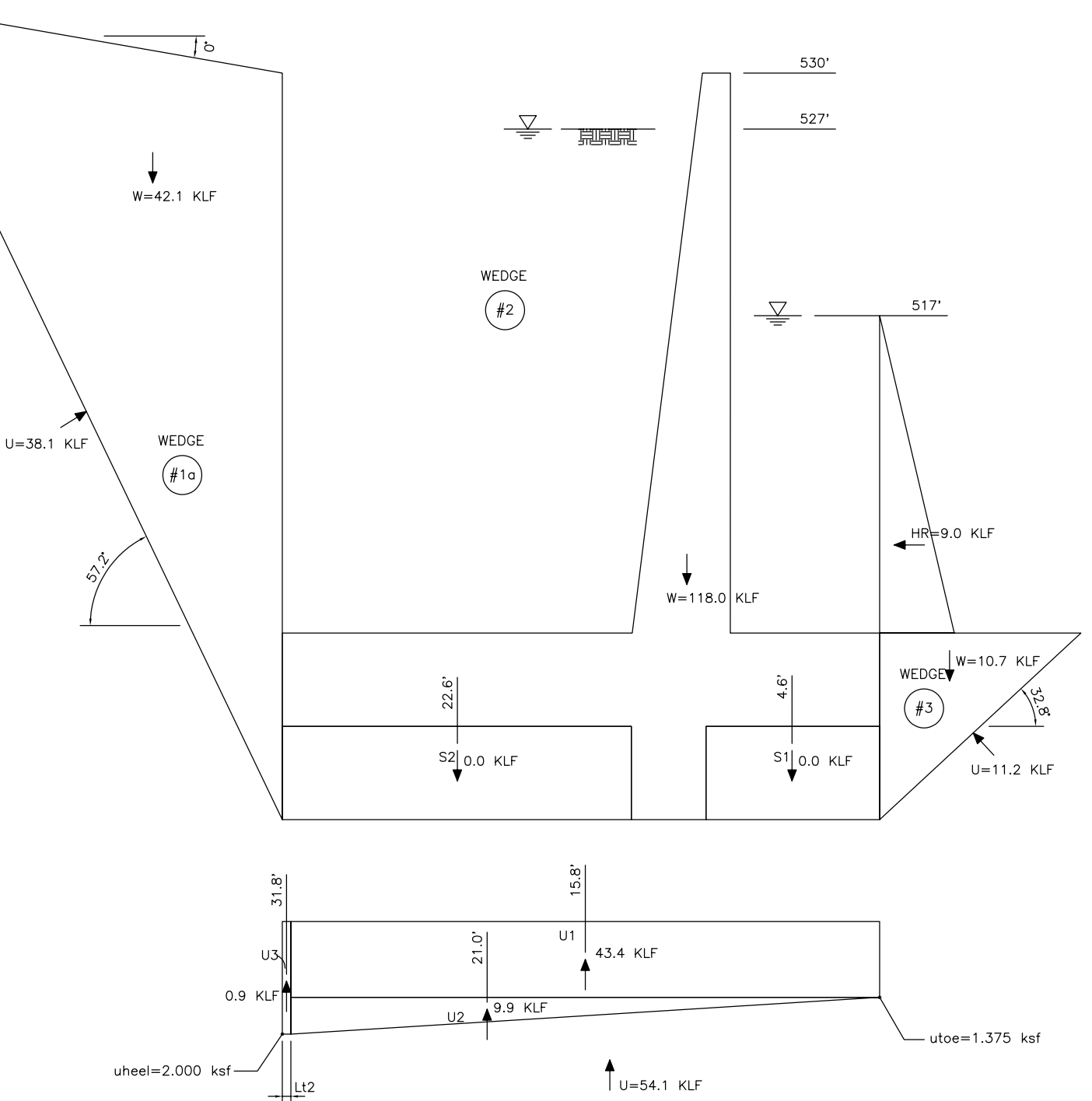
ROTATIONAL ANALYSIS SUMMARY

LOAD CASE	WATER @ HEEL (FT)	WATER @ TOE (FT)	FX TOTAL (KLF)	FY TOTAL (KLF)	FZ TOTAL (KLF)	e (FT)	BASE IN COMPRESSION (%)	BEARING PRESSURE (KSF)		
								HEEL	TOE	FS
I(a)	527.0	517.0	42.7	0.0	61.9	5.69	96.7	0.000	4.003	4.14
I(b)	521.5	511.5	47.4	0.0	72.6	4.84	100.0	0.211	4.326	3.83
I(c)	516.0	506.0	50.6	0.0	81.1	4.08	100.0	0.597	4.474	3.71
I(d)	510.5	500.5	52.2	0.0	89.7	3.32	100.0	1.060	4.544	3.65
I(e)	505.0	500.0	51.6	0.0	95.7	2.73	100.0	1.461	4.519	3.68

- LEGEND:**
- FX = SUM OF ALL HORIZONTAL FORCES IN THE GLOBAL X DIRECTION (POSITIVE TOWARD CHANNEL) CONSIDERING ANY UPLIFT EFFECTS BUT WITHOUT SHEAR KEY RESISTANCE.
 - FY = SUM OF ALL HORIZONTAL FORCES IN THE GLOBAL Y DIRECTION CONSIDERING ANY UPLIFT EFFECTS
 - FZ = SUM OF ALL VERTICAL FORCES IN THE GLOBAL Z DIRECTION (POSITIVE DOWNWARD) CONSIDERING ANY UPLIFT EFFECTS
 - e = DISTANCE BETWEEN RESULTANT AND CENTROID OF BASE CONSIDERING ANY UPLIFT EFFECTS

- DESIGN PARAMETERS:**
- WATER = 0.0625 KCF
 - CONCRETE = 0.150 KCF
 - WIND = NOT CONSIDERED
 - SEISMIC = NOT CONSIDERED
- WALL LOADS DUE TO SOIL:**
- ABOVE WATER TABLE = 0.065 KSF/FT
 - BELOW WATER TABLE = 0.0325 KSF/FT

- LOADING CONDITIONS:**
- I EXTREME INUNDATION FOLLOWED BY A RAPID DRAW DOWN EVENT. THE HEIGHT OF RETAINED WATER WAS ASSUMED TO BE 10-FT ABOVE THE WATER LEVEL AT THE TOE. THE ANALYSIS WAS RUN FOR A SERIES OF WATER ELEVATIONS OVER THE HEEL RANGING FROM THE RETAINED GRADE ELEVATION DOWN TO THE TOP OF FOOTING ELEVATION. ONLY THE MOST CRITICAL (WATER ELEVATION OVER HEEL AT 527.0-FT) CASE, WITH RESPECT TO SLIDING, IS PRESENTED IN GRAPHICAL FORM.



SLIDING STABILITY ANALYSIS

SLIDING ANALYSIS SUMMARY


LOAD CASE	WATER @ HEEL (FT)	WATER @ TOE (FT)	DRIVING WEDGE (#1)		STRUCTURAL WEDGE (#2)		RESISTING WEDGE (#3)		FS SLIDE
			φ	C (KSF)	φ	C (KSF)	φ	C (KSF)	
I(a)	527.0	517.0	32°	0.0	32°	0.0	32°	0.0	1.38
I(b)	521.5	511.5	32°	0.0	32°	0.0	32°	0.0	1.47
I(c)	516.0	506.0	32°	0.0	32°	0.0	32°	0.0	1.57
I(d)	510.5	500.5	32°	0.0	32°	0.0	32°	0.0	1.68
I(e)	505.0	500.0	32°	0.0	32°	0.0	32°	0.0	1.81

NOT FOR CONSTRUCTION
 THIS DOCUMENT IS RELEASED FOR THE PURPOSE OF INTERIM REVIEW UNDER THE AUTHORITY OF JOHN LEE RUTLEDGE, P.E., TEXAS REG-85045 ON DATE 10/5/2004. IT IS NOT TO BE USED FOR CONSTRUCTION, BIDDING OR PERMIT PURPOSES.

Date	Description	Drawn	Checked	Scale

Designed by:	JLR
Drawn by:	CM
Reviewed by:	JLR
Submitted by:	JLR
DATE	

TARRANT REGIONAL WATER DISTRICT

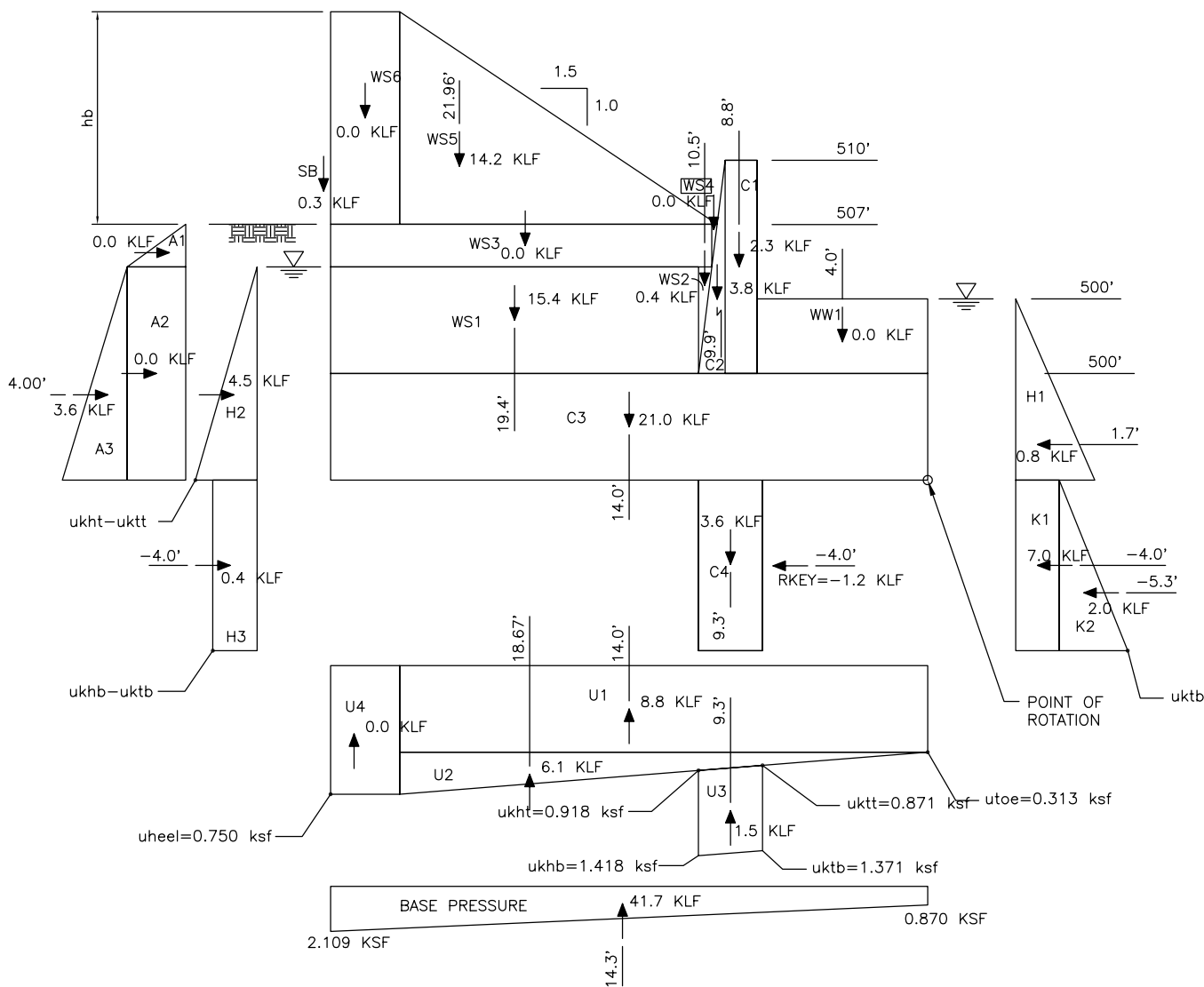


CDM

FORT WORTH CENTRAL CITY
PRELIMINARY DESIGN
**SAMUELS AVENUE DAM
TRAINING WALLS @ 507'-0"
ROTATIONAL STABILITY
ANALYSES**

DESIGN FILE: ST-DAM-EL-B10

Contr. No.



UPSTREAM TRAINING WALL @ GRADE = 507.0'

ANALYSIS SUMMARY

LOAD CASE	WATER @ HEEL (FT)	WATER @ TOE (FT)	FX TOTAL (KLF)	FY TOTAL (KLF)	FZ TOTAL (KLF)	e (FT)	FS SLIDE	BASE IN COMPRESSION (%)	BEARING PRESSURE (KSF)		
									HEEL	TOE	FS
I(a)	507.0	500.0	-1.2	0.0	41.7	-1.94	SEE SHT SS-18	100.0	2.109	0.870	40.28
I(b)	506.5	500.0	-1.0	0.0	42.2	-2.00	SEE SHT SS-18	100.0	2.153	0.862	39.36
I(c)	506.0	500.0	-0.8	0.0	42.7	-2.05	SEE SHT SS-18	100.0	2.194	0.855	38.52
I(d)	505.5	500.0	-0.6	0.0	43.2	-2.10	SEE SHT SS-18	100.0	2.234	0.849	37.74
I(e)	505.0	500.0	-0.3	0.0	43.6	-2.14	SEE SHT SS-18	100.0	2.273	0.844	37.03

- LEGEND:
- FX = SUM OF ALL HORIZONTAL FORCES IN THE GLOBAL X DIRECTION (POSITIVE TOWARD CHANNEL) CONSIDERING ANY UPLIFT EFFECTS BUT WITHOUT SHEAR KEY RESISTANCE.
 - FY = SUM OF ALL HORIZONTAL FORCES IN THE GLOBAL Y DIRECTION CONSIDERING ANY UPLIFT EFFECTS
 - FZ = SUM OF ALL VERTICAL FORCES IN THE GLOBAL Z DIRECTION (POSITIVE DOWNWARD) CONSIDERING ANY UPLIFT EFFECTS
 - e = DISTANCE BETWEEN RESULTANT AND CENTROID OF BASE CONSIDERING ANY UPLIFT EFFECTS
 - FS = FACTOR OF SAFETY FOR SLIDING STABILITY

DESIGN PARAMETERS:

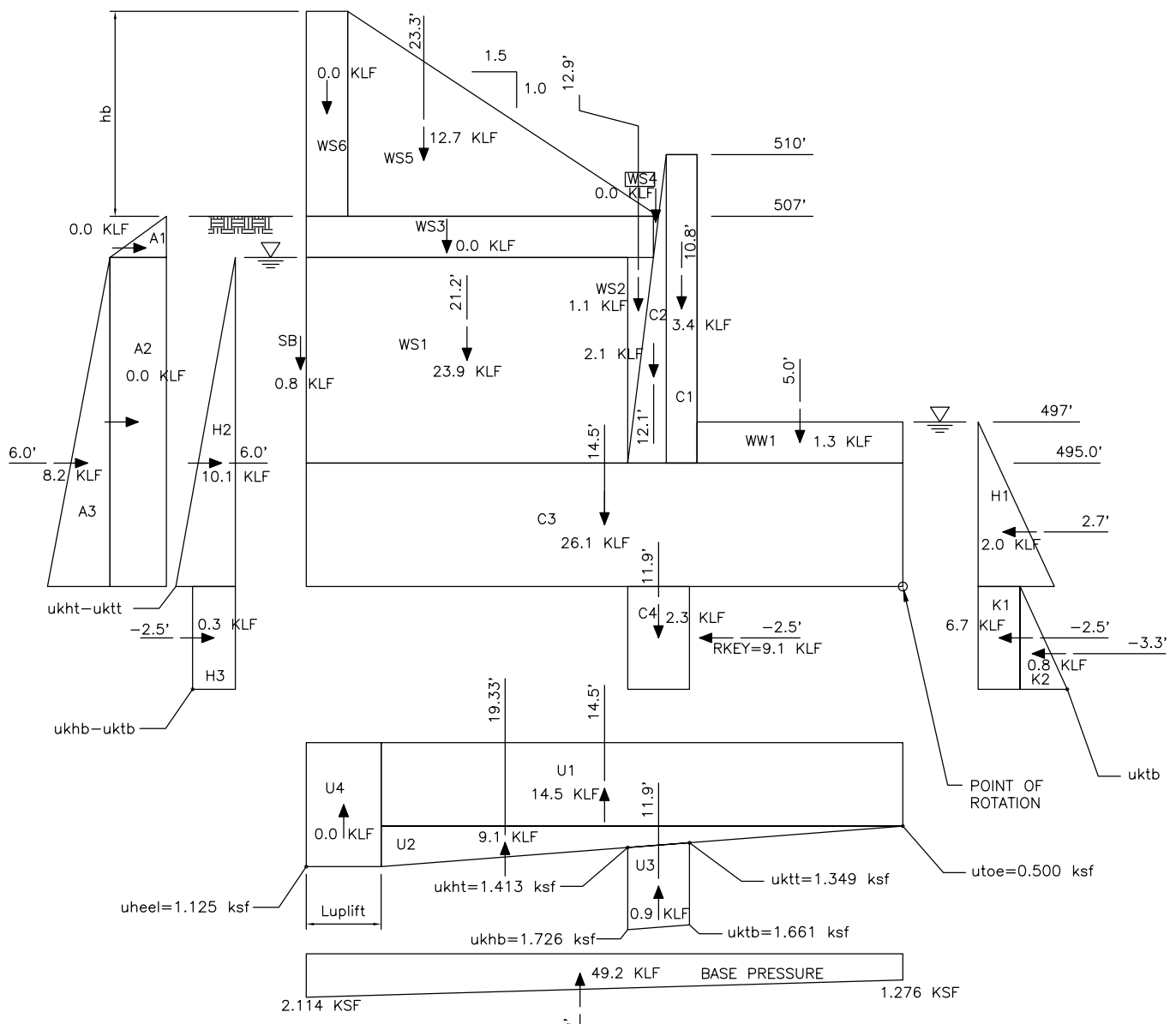
- WATER = 0.0625 KCF
- CONCRETE = 0.150 KCF
- WIND = NOT CONSIDERED
- SEISMIC = NOT CONSIDERED

WALL LOADS DUE TO SOIL:

- ABOVE WATER TABLE = 0.065 KSF/FT
- BELOW WATER TABLE = 0.0325 KSF/FT

LOADING CONDITIONS:

- I EXTREME INUNDATION FOLLOWED BY A RAPID DRAW DOWN EVENT. THE HEIGHT OF RETAINED WATER WAS ASSUMED TO BE 10-FT ABOVE THE WATER LEVEL AT THE TOE. THE ANALYSIS WAS RUN FOR A SERIES OF WATER ELEVATIONS OVER THE HEEL RANGING FROM THE RETAINED GRADE ELEVATION DOWN TO THE TOP OF FOOTING ELEVATION. ONLY THE MOST CRITICAL (WATER ELEVATION OVER HEEL AT 507.0-FT) CASE, WITH RESPECT TO SLIDING IS PRESENTED IN GRAPHICAL FORM.



DOWNSTREAM TRAINING WALL @ GRADE = 507.0'

ANALYSIS SUMMARY

LOAD CASE	WATER @ HEEL (FT)	WATER @ TOE (FT)	FX TOTAL (KLF)	FY TOTAL (KLF)	FZ TOTAL (KLF)	e (FT)	FS SLIDE	BASE IN COMPRESSION (%)	BEARING PRESSURE (KSF)		
									HEEL	TOE	FS
I(a)	507.0	497.0	9.1	0.0	49.2	-1.19	SEE SHT SS-19	100.0	2.114	1.276	28.82
I(b)	505.3	495.3	10.1	0.0	51.5	-1.39	SEE SHT SS-19	100.0	2.285	1.266	26.50
I(c)	503.5	495.0	10.5	0.0	53.3	-1.57	SEE SHT SS-19	100.0	2.436	1.240	24.71
I(d)	501.8	495.0	10.9	0.0	54.9	-1.72	SEE SHT SS-19	100.0	2.567	1.221	23.35
I(e)	500.0	495.0	11.4	0.0	56.5	-1.82	SEE SHT SS-19	100.0	2.680	1.214	22.30

NOT FOR CONSTRUCTION
THIS DOCUMENT IS RELEASED FOR THE PURPOSE OF INTERIM REVIEW UNDER THE AUTHORITY OF JOHN LEE RUTLEDGE, P.E., TEXAS REG-85045 ON DATE 10/5/2004 IT IS NOT TO BE USED FOR CONSTRUCTION, BIDDING OR PERMIT PURPOSES.

ACAD: Rel 16.1s (LMS Tech) User: CAM
[C:\04188\N\WR\REPORT\ST-DAM-EL-B10.DWG LAYOUT: Layout1
JAN 11 2005 2:27:45 P.M. LJS: 1.00 PSLTS: 1 TWIST: 0.0
REFERENCE FILE: N:\STANDARD\2321G-B5

