

Hay'adda Federaalka ee Isgaadhsiinta (FCC)
Qofka wax iibsada waxyaabuha ay tahay inuu ogaado (Consumer Facts)

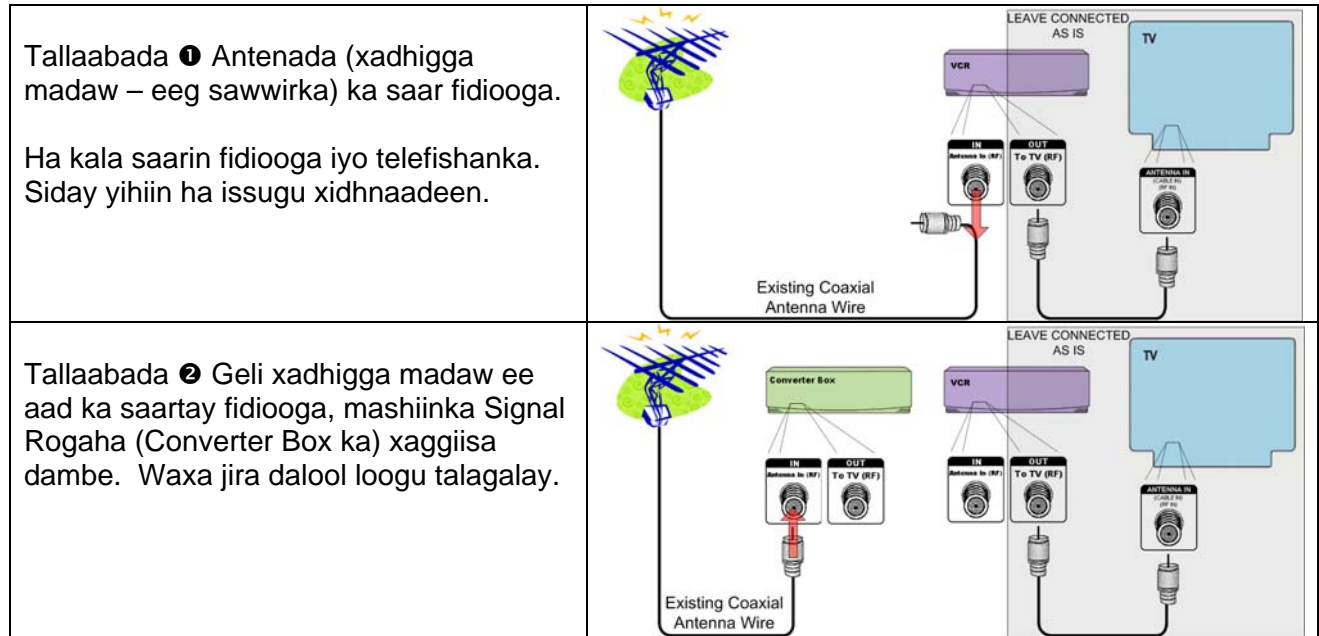
Telefishanka iyo fidiiooga analoga ah “kuwwaad imminka haysadto” labaduba way soo qabsan amma heli karaan signalka digitalka ah – waxaad un ubaahantahay inaad isticmaasho mashiin la yidhaahdo “Digital-to-Analog Converter Box” oo ah mashiinka kuu rogaya amma kuu beddelaya signalka, sidii aad u daawwan karto telefishanka. Mashiinkaasna waxa laga iibsan karaa meelaha iibiyaha qalabkaas. Haddii aad isticmaalayso boks keli ah amma mashiin keli ah “Converter Box” oo aad raacdo tallaabada koobaad #1 – tallaabadaasi waxay ku tussaysaa sida aad u daawwan karto jaanal keli ah, iyo inaad jaanalkaa keliya aad duubadan karto. Haddii aad isticmaalayso labo mashiin “2 Converter Boxes” oo aad raacdo tallaabada labaad #2. Tallaabadaasi waxay ku tussaysaa sida aad u daawwan karto jaanalkaad rabto oo aad duubankarto mid kale aan ahayn kaad daawwanayso.

Habka #1: Daawwo Jaanal Keliya Kana Duubo

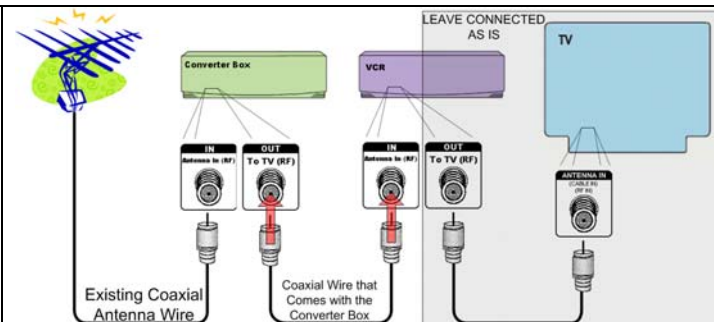
Qalabka: Waxaad u baahantahay telefishankaaga (analoga ah), fidiioogaaga, antenada aad isticmaalaysay (ta debbeda amma ta gudaha), iyo xadhigga madaw ee isku xidha antenada iyo fidiiooga (sawwirka eeg). Signal kuu rogaha (Converter Box) waxa la socda xadhig kale iyo ka shaqaysiyaha gacanta (Remote Control). Intaanad bilaabin isku xidhka, horta telefishanka iyo fidiiooga ka saar korrantada.



Coaxial Wire



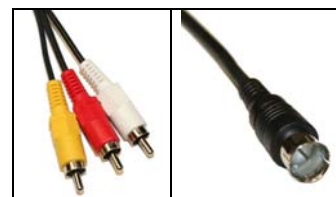
Tallaabada ③ Signal Rogaha waxa la socda xadhig kale, dacalna geli Signal Rogaha xagiissa dambe daloolka ay ku qorantahay “Out to TV (RF)”. Dacalka kalena waxaad gelisaa fidiiooga daloolka ay ku qorantahay “Antenna In (RF)”. Tallaabooyinku hadday kaa kala lumaan, eeg tussaalooyinka sawwirrada.



Tallaabada ④ Signal Rogaha, telefshanka, iyo fidiiooga intaba waxaad gelisaa korrantada, dabheedna shid/daar dhammaantoodba. Fidiioogana waxaad ku taagtaa jaanalka 3 amma 4 (raac tallaabooyinka la socday Signal Rogaha). Telefshankana waxaad ku qabadtaa inuu ku tusso amaa aad ka daawwadto fidiiooga. Hadaad eegto telefshanka, waxaad arkaysaa tallaabooyin lagaa rabo inaad raacdo. Isticmaal Rimootka (ka shaqaysiiyaha gacanta) ee la socday Signal Rogaha sida aad u raaci karto tallaabooyinkaas. Waxaad arkaysaa inuu doondoonyo signallada digitalka ah, markuu wada helo signalladaas ayaad daawwan kartaa telefshanka sidii caadiga ahayd, barnaamijyona waad ka duubankartaa marba jaanalkaad daawwanayso keli ah.

Habka #2: Adigoo jaanal daawwanaya, ayyaad mid kale duuban kartaa

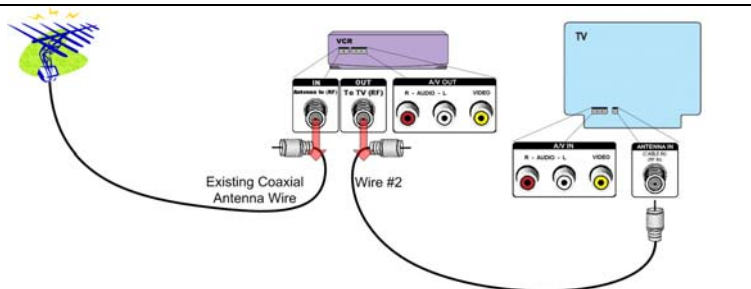
Qalabka: Waxaad u baahantahay telefshankaaga (analoga ah), antenadaad isticmaa’sho (ta debedda amma ta gudaha), xadhigga madaw ee isku xidha antenada iyo fidiiooga (eeg sawwirka middig), xadhig labaad oo sida xadhigga madaw ah, laakiin affar laabkiis ah (aad u dheer), saddexda xadhig ee fidiiooga aad ku aragto sawwirka bidix, iyo 2- Dhinac Uqaybiyaha, iyo labo Signal Rogayaal ah (Converter Boxes). Labada mashiin waxa mid walba la socda xadhig madaw iyo xadhkaha fidiiooga – saddex xadhig oo ah cassaam, caddaan, iyo gaduud, iyo ka shaqaysiiyaha gacanta (Remote Control). Intaanad isku xidhka bilaabin, fidiiooga iyo telefshanka korrantada ka saar.



A/V Cables Coaxial Wire

Tallaabada ① Xadhigga antenada ka saar fidiiooga.

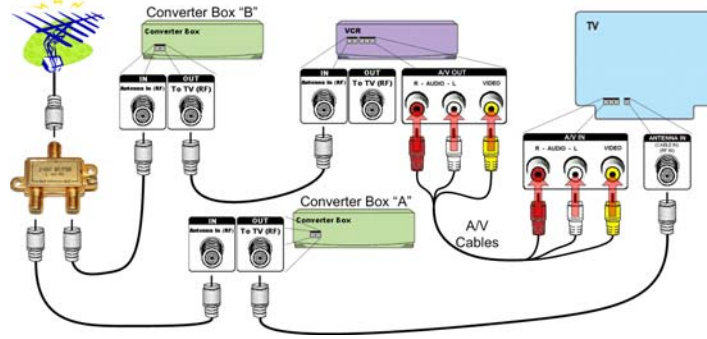
Tallaabada ② Xadhigga labaad #2 (eeg sawwirka), ka saar daloolka fidiiooga ay ku qorantahay “To TV (RF)”, laakiin dacalkiisa kale ha ka saarin telefshanka



<p>Tallaabada ③ Geli xadhigga antenada 2-Dhinac Uqabiyaha daloolkiisa ay ku qorantahay “In”.</p>	
<p>Tallaabada ④ Xadhigga labaad #2 (dacalkii aad ka saartay fidiiooga) waxaad gelisaa Signal Rogaha koobaad “A” (Converter Box) daloolka ay ku qorantahay “Out to TV (RF)”.</p> <p>Tallaabada ⑤ Xadhigga saddexaad #3 labadiisa dactal, dactalna waaxaad gelisaa daloolka ay ku qorantahay “Out” ee 2-Dhinac Uqaybiyaha, dacalka kalena geli daloolka ay ku qorantahay “Antenna In (RF) ee Signal Rogaha labaad “A”.</p>	
<p>Tallaabada ⑥ Xadhigga afraad #4 labadiisa dactal, dactal waxaad gelisaa dhinaca (daloolka hadhay) kale ee 2-Dhinac Uqaybiyaha ay ku qorantahay “Out”. Dacalka kalena waxaad gelisaa Signal Rogaha labaad “B” daloolka ay ku qorantahay “Antenna In (RF).”</p> <p>Tallaabada ⑦ Xadhigga shanaad #5 labadiisa dactal, dactal waxaad gelisaa Signal Rogaha labaad “B” daloolka ay ku qorantahay “Out to TV (RF).” Dacalka kalena waxaad gelisaa daloolka fidiiooga ay ku qorantahay “Antenna In (RF)”.</p>	



Tallaabada ⑧ La soo bax xadhkaha loogu talagalay fidiiooga. Mid waxaad gelisaa daloolka ay ku qorantahay “A/V Out” kuwwa kalena geli daloolada loogu talagalay – mid walba midabkiisa ku beeg. Cassanku daloolka cass, caddanku daloolka cad, gaduudkuna daloolka gaduudka ah. Xadhkaha dacalladooda kalena geli daloolada telefishanka ay ku qorantahay “A/V In” sida aad uugu xidh’dhay fidiiooga. Haddii aanu telefishankaagu lahayn dalool cass, waxba ha isticmaalin xadhigga cass oo meelna ha gelin.



Tallaabada ⑨ Labada mashiin ee Signal Rogaha ah, telefishanka, iyo fidiiooga intaba waxaad gelisaa korrantada, dabadeedna shid/daar dhammaantoodba. Fidiioogana waxaad ku taagtaa jaanalka 3 amma 4 (raac tallaabooyinka la socday Signal Rogaha), sida aad uuga shaqaysiisid Signal Rogaha koobaad “A”. Isticmaal Rimootka la socday Signal Rogaha koobaad “A” sida aad u raaci karto tallaabooyinka aad ku aragtid telefishanka. Waxaad arkaysaa inuu mashiinku doondoonyo signallada jaanallada digitalka ah.

Tallaabada ⑩ Telefishanka waxaad ku taagtaa “Audio/Video In”, fidiioogana waxaad ku taagaa jaanalka 3 amma 4 (raac tallaabooyinka la socday Signal Rogaha), sida aad uuga shaqaysiisid Signal Rogaha labaad “B”. Isticmaal Remotka ee la socda Signal Rogaha labaad “B”. Raac tallaabooyinka uu telefishanku ku tussayo, waxaad arkaysaa inuu mashiinku doondoonyo signallada jaanallada digitalka ah.

- Haddii aad rabto inuu fidiioogu kuu duubo barnaamij, fidiiooga ku taag jaanalka 3 amma 4, Signal Rogahana ku taag channalkaad rabto.
- Haddii “universal remote control” uu la socday Signal Rogaha (rimoot kontrol caalami ah), amma aad hore mid u haysadtay, raac tallaabooyinka soo raacday Signal Rogaha (Converter Box), sida uu rimoot kaas aad uugu isticmaasho telefishanka, fidiiooga, iyo signal roghaba.
- Haddaad haysadto DVD wax duuba amma DVR, waxaad raaci kartaa tallaabooyinka aannu soo dhaafnay oo ku tussaya sida la issugu xidho.



Haddii aad macluumaat kale add ubaahantahay, numbarrada hosta ku qoran la xidhiidh amma Internetka ka eeg. www.dtv.gov or contact the FCC by e-mailing dtvinfo@fcc.gov; calling 1-888-CALL-FCC (1-888-225-5322) voice or 1-888-TELL-FCC (1-888-835-5322) TTY; faxing 1-866-418-0232; or writing to:

Hay'adda Federaalka EE Isgaadhsiinta
Qaybta Dadwaynaha iyo Dawladda
Qaybta Informayshanka Iyo Dacwadda
445 12th Street, SW
Washington, DC 20554

Informayashanka dadwaynaha, iyo qoraalka gaarka ah ee loogu tala galay dadka indhal'a, waxaad uqortaa imeelkan:
FCC504@fcc.gov

Haddii Aad Ubaahantahay informayshan ku saabsan arrintan amma arrimaha kale ay Hay'adda Federaalka ee Isgaadhsiintu ay ka mas'uul tahay, ka eeg hoygooda internetka – riix iskuxidhaha hoosta ku qoran
<http://www.fcc.gov/cgb/contacts/>

Informayshankan waxa loogu talagalay dadwaynaha ugaysiiskooda, wax kalena informayshankan looguma isiticmaali karin

