

t to change.
right Office
to the Copy-

FORM D-VH

For Vessel Hull Design
UNITED STATES COPYRIGHT OFFICE



REGISTRATION NUMBER

DVH 0392

DATE OF REGISTRATION/PUBLICATION

10 07 08
Month Day Year

DO NOT WRITE ABOVE THIS LINE. IF YOU NEED MORE SPACE, USE A SEPARATE CONTINUATION SHEET. (Form D-VH/CON)

1

TITLE

Please give the make and model of the vessel that embodies the design.

Four Winns SL 242

2

DESIGN

(a) What is the type or style of the design for which registration is sought?

Fiberglass Modified V-hull and deck

(b) Provide a brief general statement setting forth the salient features of the design.

Specific shape including forward corners of hull and deck that extend outwardly that provides added interior space, improved roll stability, improved ride and aesthetic value per size

Check here if this is a single design.

Check here if registering more than one design.

Use Form D-VH/CON for additional designs.

(c) If this design is derived from an earlier design, describe how that design has been revised, adapted, or rearranged.

This design came from the Four Winns SL 262. The SL 242 is a smaller, lower cost, more manageable version.

3

DESIGNER(S)

Provide the name and address of the designer(s). The name of the employer may be given instead of the designer(s) if, (1) the design was made within the regular scope of employment of the designer(s) and (2) the individual authorship of the design is difficult or impossible to ascribe.

Please check here if those conditions are satisfied and you are providing the employer's name.

Name: Thomas D. Weastadt

Name: Peter C. Granata

Address: 4721 Forest Ridge Dr.
Cadillac, MI 49601

Address: 41 Ribaut Drive
Hilton Head IL, SC 29926

4

OWNER,
IF NOT
DESIGNER(S)

If the owner is different from the designer(s) or employer named above, provide the name and address of the owner:

Name: Four Winns Boats L.L.C.

Address: 925 Frisbie St
Cadillac, MI 49601

5

PRIORITY
CLAIM

(a) Was an application for registration of this design identified in an application filed in a foreign country that extends to designs of owners who are citizens of the United States, or to persons filing applications in the United States, similar protection to that afforded in 17 U.S.C. chapter 13?

Yes No

(b) If yes, identify the country and date of application:

Country: _____

Date of application: _____

Serial No: _____

6

DATE MADE
PUBLIC

Was this design made public before the date of application? Yes No

If yes, on what date? December 3 2007
Month Day Year

DO NOT WRITE HERE
OFFICE USE ONLY

APPLICATION RECEIVED

JUL 01 2008

DESIGN COPIES RECEIVED

JUL 01 2008

FUNDS RECEIVED

MORE ON BACK

• Complete all applicable spaces (numbers 7-9) on the reverse side of this page.
• See detailed instructions. • Sign the form at section 9.

DO NOT WRITE HERE
Page 1 of _____ pages

EXAMINED BY

FORM D-VH

CHECKED BY *JH*

CORRESPONDENCE

Yes

FOR
COPYRIGHT
OFFICE
USE
ONLY

DO NOT WRITE ABOVE THIS LINE. IF YOU NEED MORE SPACE, USE A SEPARATE CONTINUATION SHEET. (Form D-VH/CON)

7
CONTACT
PERSON

Please provide the name and address of the person to whom correspondence regarding this application may be directed:

Name: Tom Wenstadt
Address: 905 Frisbie St
Cadillac, MI 49601 Email address twenstadt@fourwinns.com
FAX number 231-779-2342 Daytime phone: (231) 779-2333

8
DEPOSIT
ACCOUNT

Give the name and account number if the registration fee is to be charged to a Deposit Account established in the Copyright Office:

Name of Account: _____
Account number: _____

9

CERTIFICATION AND
SWORN STATEMENTS

DECLARATION: The undersigned, as the applicant or the applicant's duly appointed agent or representative, being hereby warned that willful false statements are punishable by fine or imprisonment, or both, under 18 U.S.C. §1001, and that such willful false statements may jeopardize the validity of this application or any resulting registration, hereby declares to the best of his or her knowledge and belief:

- (1) that the design has been fixed in a useful article;
- (2) that the design is original and was created by the designer(s), or employer if applicable, named in the application;
- (3) that those aspects of the design for which registration is sought are not protected by a design patent;
- (4) that the design has not previously been registered on behalf of the applicant or applicant's predecessor in title; and
- (5) that the applicant is the person entitled to protection and to registration under chapter 13 of title 17, United States Code.

Complete if applicable:

The design has been made public with a design notice as prescribed by 17 U.S.C. §1306.
Following is the exact form of the design notice:

Where on the useful article is the design notice located?

If the undersigned is not the applicant, he or she is properly authorized to execute this application on behalf of the applicant.

Signature
Tom Wenstadt
Print or type name
Telephone number 231-779-2333 FAX number 231-779-2342

4-15-08
Date
Ch
Position or Title
Email address twenstadt@fourwinns.com

Copyright Office fees are subject to change. For current fees, check the Copyright Office website at www.copyright.gov, write the Copyright Office, or call (202) 707-3000.

Certificate will be mailed in window envelope to this address:

Name ▼	<u>Tom Wenstadt</u>
Number/Street/Apt ▼	<u>905 Frisbie St.</u>
City/State/ZIP ▼	<u>Cadillac, MI 49601</u>

YOU MUST:

- Complete all necessary spaces
- Sign your application in space 9

SEND ALL 3 ELEMENTS IN THE SAME PACKAGE:

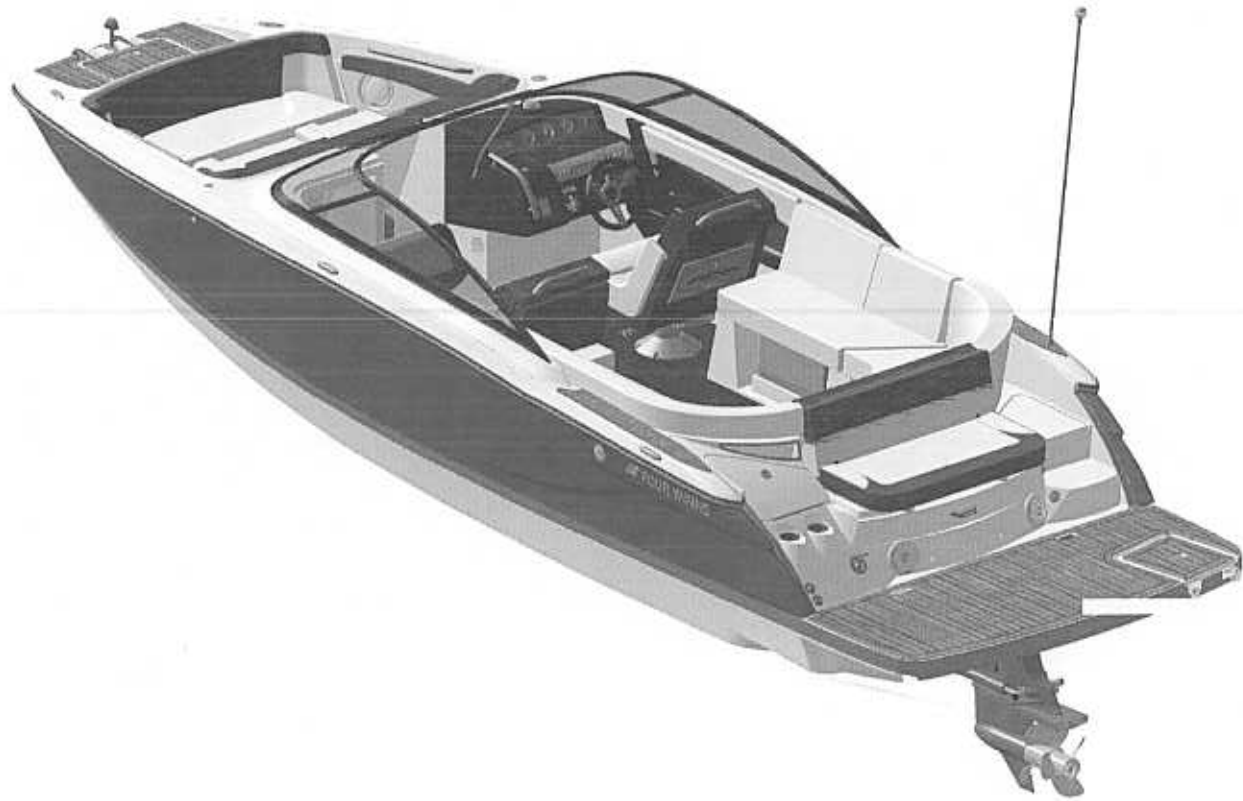
1. Application form
2. Nonrefundable filing fee in check or money order payable to Register of Copyrights
3. Design material

MAIL TO:

Dept. D-VH
Vessel Hull Registration
P.O. Box 71380
Washington, D.C. 20024-1380

17 U.S.C. §1327. Penalty for false representation. "Whoever knowingly makes a false representation materially affecting the rights obtainable under this chapter for the purpose of obtaining registration of a design under this chapter shall pay a penalty of not less than \$500 and not more than \$1,000, and any rights or privileges that individual may have in the design under this chapter shall be forfeited."

sl242-iso-1-asize.jpg (3300x2550x24b jpeg)



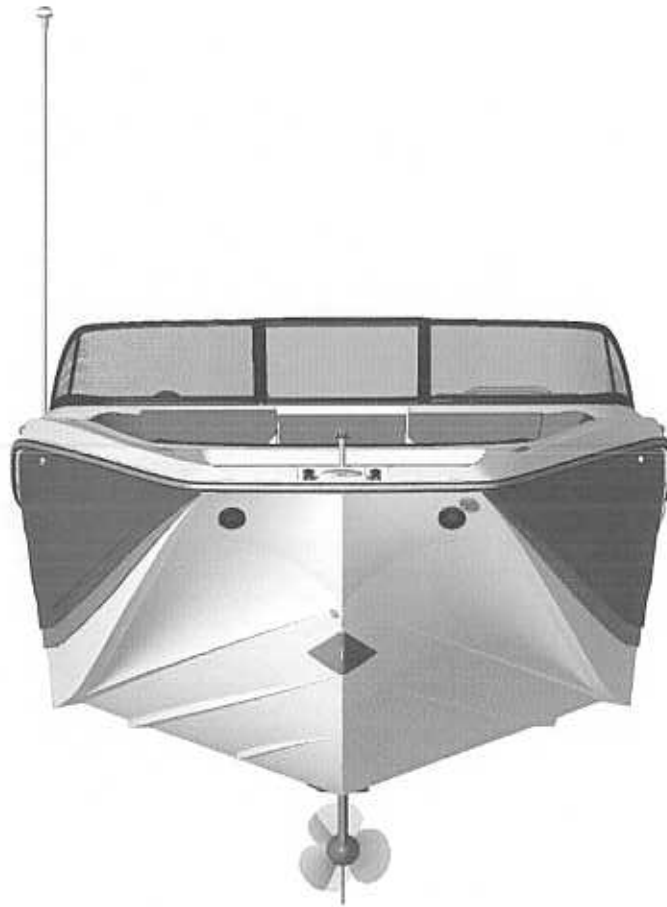
sl242-stbd-asize.jpg (3300x2550x24b jpeg)

DVH 0392



sl242-bow-asize.jpg (3300x2550x24b jpeg)

DVH 0392



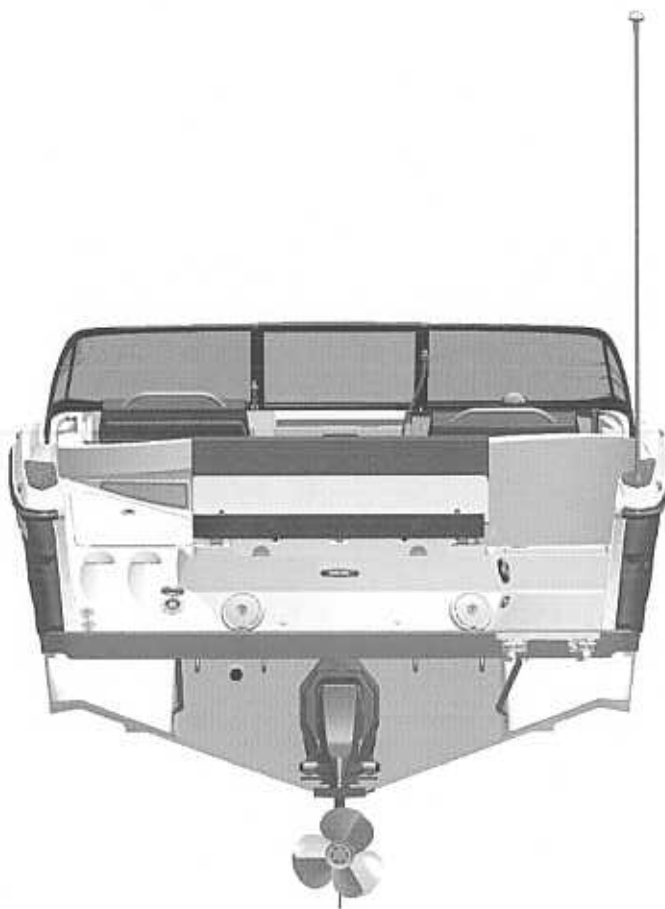
DVH 0392

sl242-port-asize.jpg (3300x2550x24b jpeg)



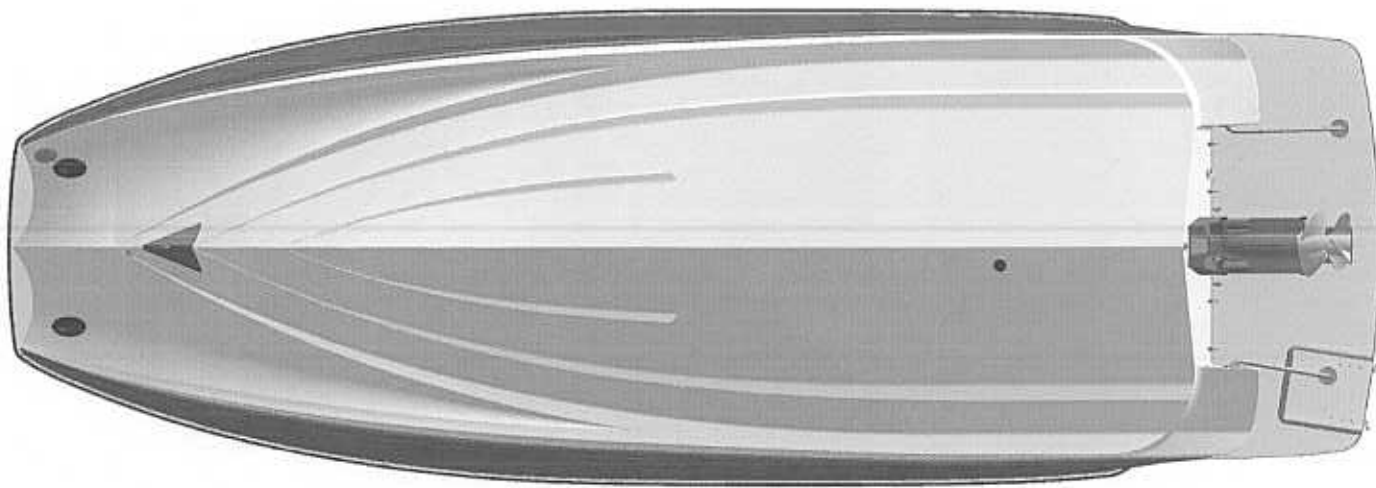
sl242-storm-asize.jpg (3300x2550x24b jpeg)

DVH 0392



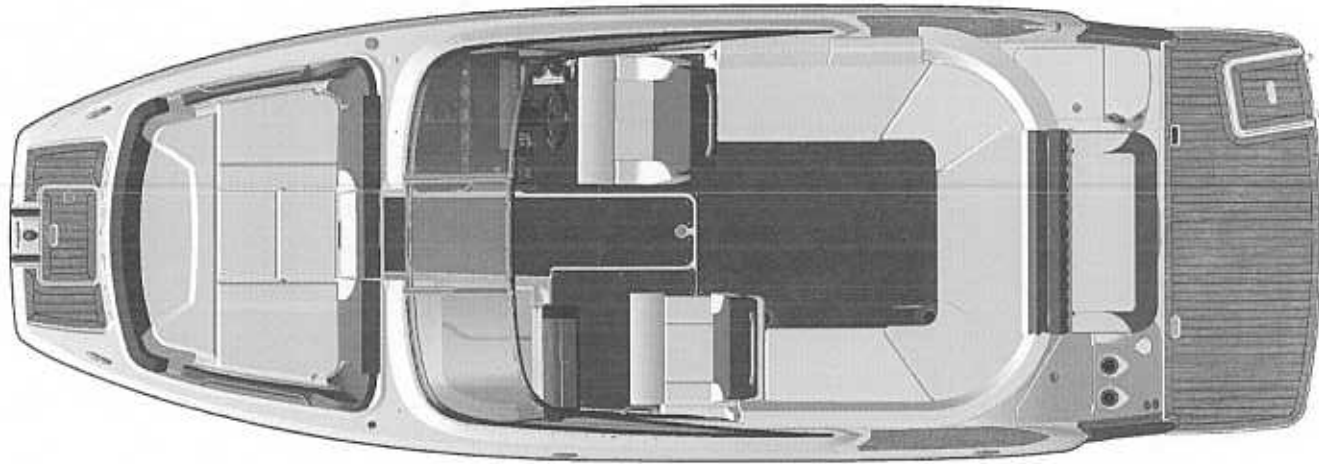
sl242-bottom-asize.jpg (3300x2550x24b jpeg)

DVH 0392



si242-top-asize.jpg (3300x2550x24b jpeg)

DVH 0392



sl242-iso-bottom.jpg (3300x2550x24b jpeg)

DVH 0392

