



DVH 0365

DATE OF REGISTRATION/PUBLICATION

10  
Month

31  
Day

07  
Year

**DO NOT WRITE ABOVE THIS LINE. IF YOU NEED MORE SPACE, USE A SEPARATE CONTINUATION SHEET. (Form D-VH/CON)**

Please give the make and model of the vessel that embodies the design.

Hydra-Sports 2200 Vector VX

**1**  
TITLE

**2 (a)** What is the type or style of the design for which registration is sought?  
Fishing boat

**DESIGN (b)** Provide a brief general statement setting forth the salient features of the design.  
The features relate to the design of the deck and the configuration of the hull.

Check here if this is a single design.

Check here if registering more than one design.

**(c)** Use Form D-VH/CON for additional designs.

If this design is derived from an earlier design, describe how that design has been revised, adapted, or rearranged.  
Shares the same hull as Hydra-Sports 2200 Vector CC and 2200 Vector DC, for which Vessel Hull Design Registrations have been filed on the same day.

The configuration of the deck is new,

**3** Provide the name and address of the designer(s). The name of the employer may be given instead of the designer(s) if, (1) the design was made within the regular scope of employment of the designer(s) and (2) the individual authorship of the design is difficult or impossible to ascribe.

Please check here if those conditions are satisfied and you are providing the employer's name.

Name: Hydra-Sports Boats

Name: \_\_\_\_\_

Address: 1651 Whitfield Avenue  
Sarasota, Florida 34243

Address: \_\_\_\_\_

**4** If the owner is different from the designer(s) or employer named above, provide the name and address of the owner:

Name: \_\_\_\_\_

Address: \_\_\_\_\_

**OWNER, IF NOT DESIGNER(S)**

**5 (a)** Was an application for registration of this design identified in an application filed in a foreign country that extends to designs of owners who are citizens of the United States, or to persons filing applications in the United States, similar protection to that afforded in 17 U.S.C. chapter 13?

Yes  No

**(b)** If yes, identify the country and date of application:  
Country: \_\_\_\_\_

Date of application: \_\_\_\_\_

Serial No: \_\_\_\_\_

**6** Was this design made public before the date of application?  Yes  No

If yes, on what date? July 18 2006  
Month Day Year

**DATE MADE PUBLIC**

DO NOT WRITE HERE OFFICE USE ONLY

APPLICATION RECEIVED SEP 27 2007

DESIGN COPIES RECEIVED SEP 27 2007

FUNDS RECEIVED \_\_\_\_\_

**DO NOT WRITE ABOVE THIS LINE. IF YOU NEED MORE SPACE, USE A SEPARATE CONTINUATION SHEET. (Form D-VH/CON)**

Please provide the name and address of the person to whom correspondence regarding this application may be directed:

Name: Alpaslan Sapmaz

Address: 3200 IDS Center, 80 South Eighth Street, Minneapolis, Minnesota 55402

Email address asapmaz@merchant-gould.com

FAX number 612-332-9081

Daytime phone: ( 612 ) 766-6093

Give the name and account number if the registration fee is to be charged to a Deposit Account established in the Copyright Office:

Name of Account: \_\_\_\_\_

Account number: \_\_\_\_\_

**DECLARATION:** The undersigned, as the applicant or the applicant's duly appointed agent or representative, being hereby warned that willful false statements are punishable by fine or imprisonment, or both, under 18 U.S.C. §1001, and that such willful false statements may jeopardize the validity of this application or any resulting registration, hereby declares to the best of his or her knowledge and belief:

- (1) that the design has been fixed in a useful article;
- (2) that the design is original and was created by the designer(s), or employer if applicable, named in the application;
- (3) that those aspects of the design for which registration is sought are not protected by a design patent;
- (4) that the design has not previously been registered on behalf of the applicant or applicant's predecessor in title; and
- (5) that the applicant is the person entitled to protection and to registration under chapter 13 of title 17, United States Code.

Complete if applicable:

The design has been made public with a design notice as prescribed by 17 U.S.C. §1306.

Following is the exact form of the design notice:

Protected Design, Hydra-Sports Boats 2006

Where on the useful article is the design notice located?

Transom

If the undersigned is not the applicant, he or she is properly authorized to execute this application on behalf of the applicant.

Signature

Alpaslan Sapmaz

Print or type name

612-766-6093

Telephone number

612-332-9081

FAX number

Date

9/20/07  
Attorney

Position or Title

asapmaz@merchant-gould.com

Email address

**Copyright Office fees are subject to change. For current fees, check the Copyright Office website at [www.copyright.gov](http://www.copyright.gov), write the Copyright Office, or call (202) 707-3000.**

Certificate will be mailed in window envelope to this address:

Name ▼	Alpaslan Sapmaz
Number/Street/Apt ▼	3200 IDS Center, 80 South Eighth Street
City/State/ZIP ▼	Minneapolis, Minnesota 55402

**YOU MUST:**

- Complete all necessary spaces
- Sign your application in space 9

**SEND ALL 3 ELEMENTS IN THE SAME PACKAGE:**

1. Application form
2. Nonrefundable filing fee in check or money order payable to Register of Copyrights
3. Design material

**MAIL TO:**

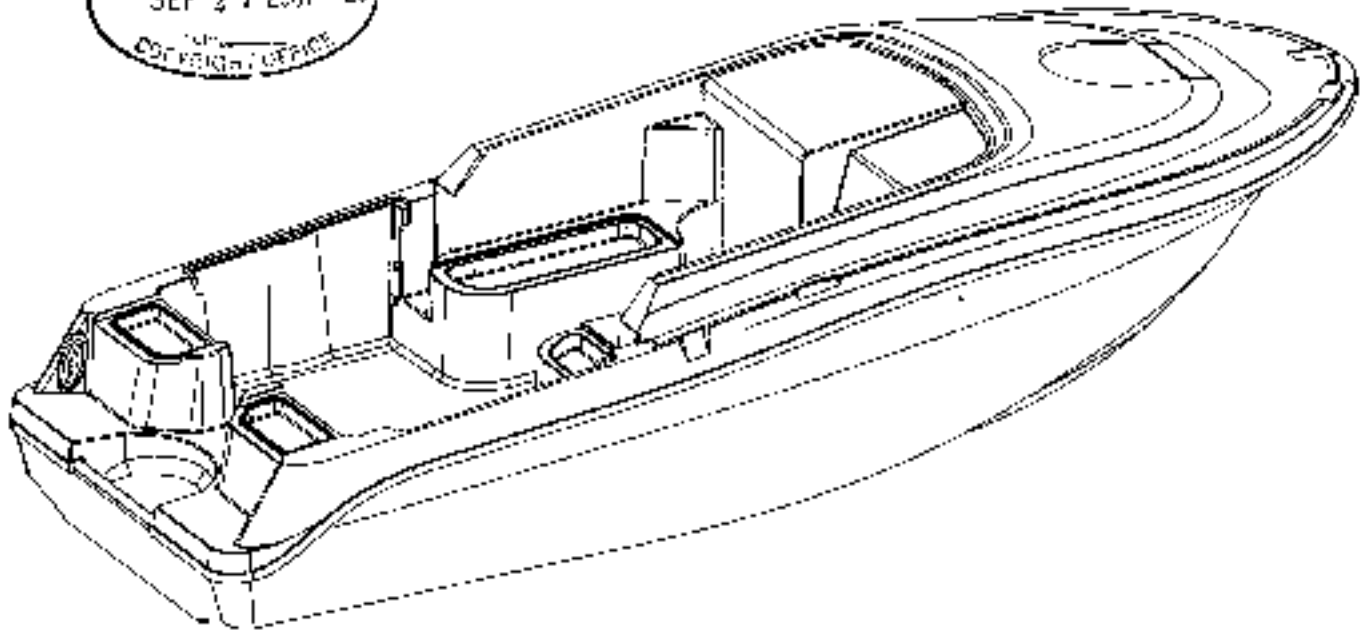
Dept. D-VH  
Vessel Hull Registration  
P.O. Box 71380  
Washington, D.C. 20024-1380

**17 U.S.C. §1327. Penalty for false representation.** "Whoever knowingly makes a false representation materially affecting the rights obtainable under this chapter for the purpose of obtaining registration of a design under this chapter shall pay a penalty of not less than \$500 and not more than \$1,000, and any rights or privileges that individual may have in the design under this chapter shall be forfeited."

FIG. 1

JH 3355

LIBRARY OF CONGRESS  
SEP 27 2007  
EDUCATION OFFICE



LE SUPPLEMENT  
0 002 980 202 1



FIG. 2

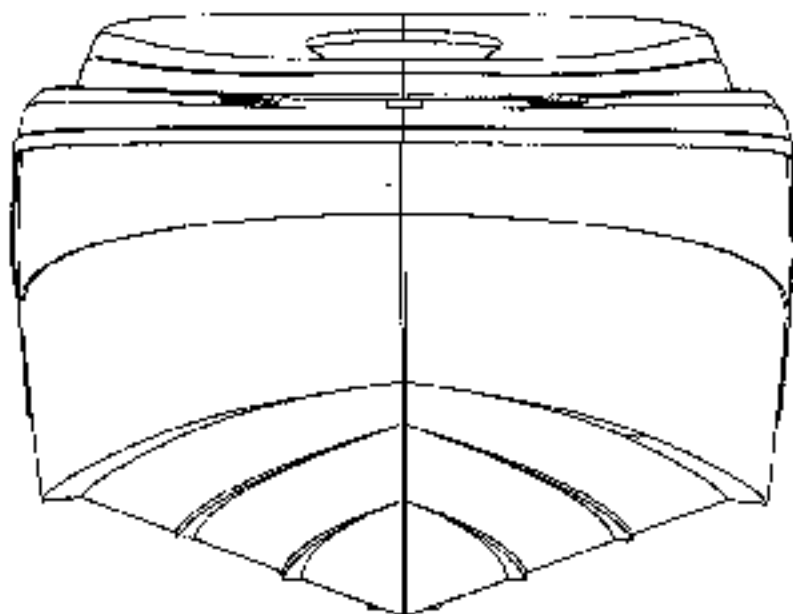


FIG. 3

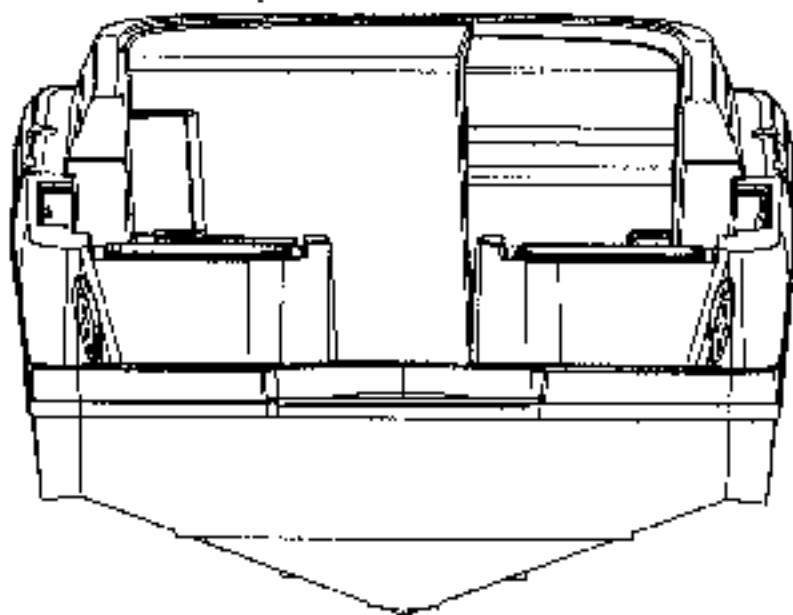


FIG. 4

DWH 0365

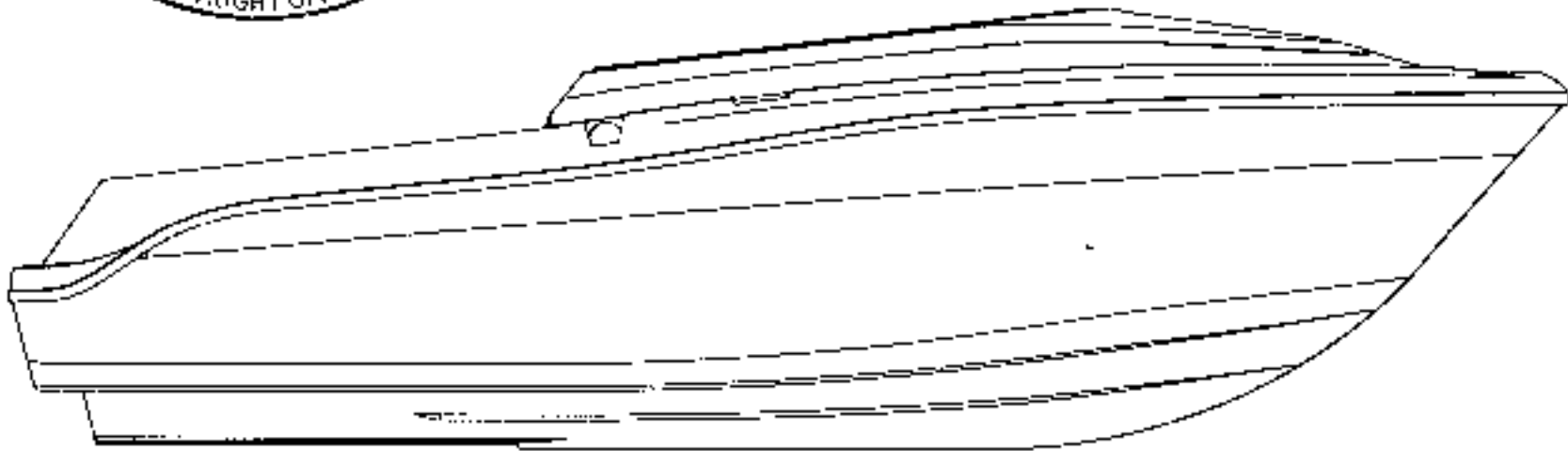


FIG. 5

