



REGISTRATION NUMBER

DVH 0361

DATE OF REGISTRATION/PUBLICATION

10 30 07
Month Day Year

DO NOT WRITE ABOVE THIS LINE. IF YOU NEED MORE SPACE, USE A SEPARATE CONTINUATION SHEET. (Form D-VH/CON)

1
TITLE

Please give the make and model of the vessel that embodies the design.

Hydra-Sports 23 Bay Bolt

2
DESIGN

(a) What is the type or style of the design for which registration is sought?
Fishing boat

(b) Provide a brief general statement setting forth the salient features of the design.
The features relate to the design of the deck and the configuration of the hull.

Check here if this is a single design.
 Check here if registering more than one design. Use Form D-VH/CON for additional designs.

If this design is derived from an earlier design, describe how that design has been revised, adapted, or rearranged.
The hull is similar to that of Hydra-Sports 19 Bay Bolt except that the hull has been lengthened. The configuration of the deck is new, A Vessel Hull Design

Registration for Hydra-Sports 19 Bay Bolt is being filed on the same day as the present application.

3
DESIGNER(S)

Provide the name and address of the designer(s). The name of the employer may be given instead of the designer(s) if, (1) the design was made within the regular scope of employment of the designer(s) and (2) the individual authorship of the design is difficult or impossible to ascribe.

Please check here if those conditions are satisfied and you are providing the employer's name.

Name: Hydra-Sports Boats

Name:

Address: 1651 Whitfield Avenue
Sarasota, Florida 34243

Address:

4
OWNER, IF NOT DESIGNER(S)

If the owner is different from the designer(s) or employer named above, provide the name and address of the owner:

Name:

Address:

5
PRIORITY CLAIM

(a) Was an application for registration of this design identified in an application filed in a foreign country that extends to designs of owners who are citizens of the United States, or to persons filing applications in the United States, similar protection to that afforded in 17 U.S.C. chapter 13?
 Yes No

(b) If yes, identify the country and date of application:
Country:

Date of application:

Serial No:

6
DATE MADE PUBLIC

Was this design made public before the date of application? Yes No

If yes, on what date? February 1, 2007
Month Day Year

DO NOT WRITE HERE OFFICE USE ONLY

APPLICATION RECEIVED SEP 27 2007
DESIGN COPIES RECEIVED SEP 27 2007
FUNDS RECEIVED

DO NOT WRITE ABOVE THIS LINE. IF YOU NEED MORE SPACE, USE A SEPARATE CONTINUATION SHEET. (Form D-VH/CON)

Please provide the name and address of the person to whom correspondence regarding this application may be directed:

Name: Alpaslan Sapmaz

Address: 3200 IDS Center, 80 South Eighth Street, Minneapolis, Minnesota 55402

Email address: asapmaz@merchant-gould.com

FAX number: 612-332-9081

Daytime phone: (612) 766-6093

Give the name and account number if the registration fee is to be charged to a Deposit Account established in the Copyright Office:

Name of Account: _____

Account number: _____

DECLARATION: The undersigned, as the applicant or the applicant's duly appointed agent or representative, being hereby warned that willful false statements are punishable by fine or imprisonment, or both, under 18 U.S.C. §1001, and that such willful false statements may jeopardize the validity of this application or any resulting registration, hereby declares to the best of his or her knowledge and belief:

- (1) that the design has been fixed in a useful article;
- (2) that the design is original and was created by the designer(s), or employer if applicable, named in the application;
- (3) that those aspects of the design for which registration is sought are not protected by a design patent;
- (4) that the design has not previously been registered on behalf of the applicant or applicant's predecessor in title; and
- (5) that the applicant is the person entitled to protection and to registration under chapter 13 of title 17, United States Code.

Complete if applicable:

The design has been made public with a design notice as prescribed by 17 U.S.C. §1306. Following is the exact form of the design notice:

Protected Design, Hydra-Sports Boats 2007

Where on the useful article is the design notice located?

Transom

If the undersigned is not the applicant, he or she is properly authorized to execute this application on behalf of the applicant.

Signature

Alpaslan Sapmaz

Print or type name

612-766-6093

Telephone number

612-332-9081

FAX number

Date

Attorney

Position or Title

asapmaz@merchant-gould.com

Email address

9/20/07

Copyright Office fees are subject to change. For current fees, check the Copyright Office website at www.copyright.gov, write the Copyright Office, or call (202) 707-3000.

Certificate will be mailed in window envelope to this address:

Name ▼	Alpaslan Sapmaz
Number/Street/Apt ▼	3200 IDS Center, 80 South Eighth Street
City/State/ZIP ▼	Minneapolis, Minnesota 55402

YOU MUST:

- Complete all necessary spaces
- Sign your application in space 9

SEND ALL 3 ELEMENTS IN THE SAME PACKAGE:

1. Application form
2. Nonrefundable filing fee in check or money order payable to Register of Copyrights
3. Design material

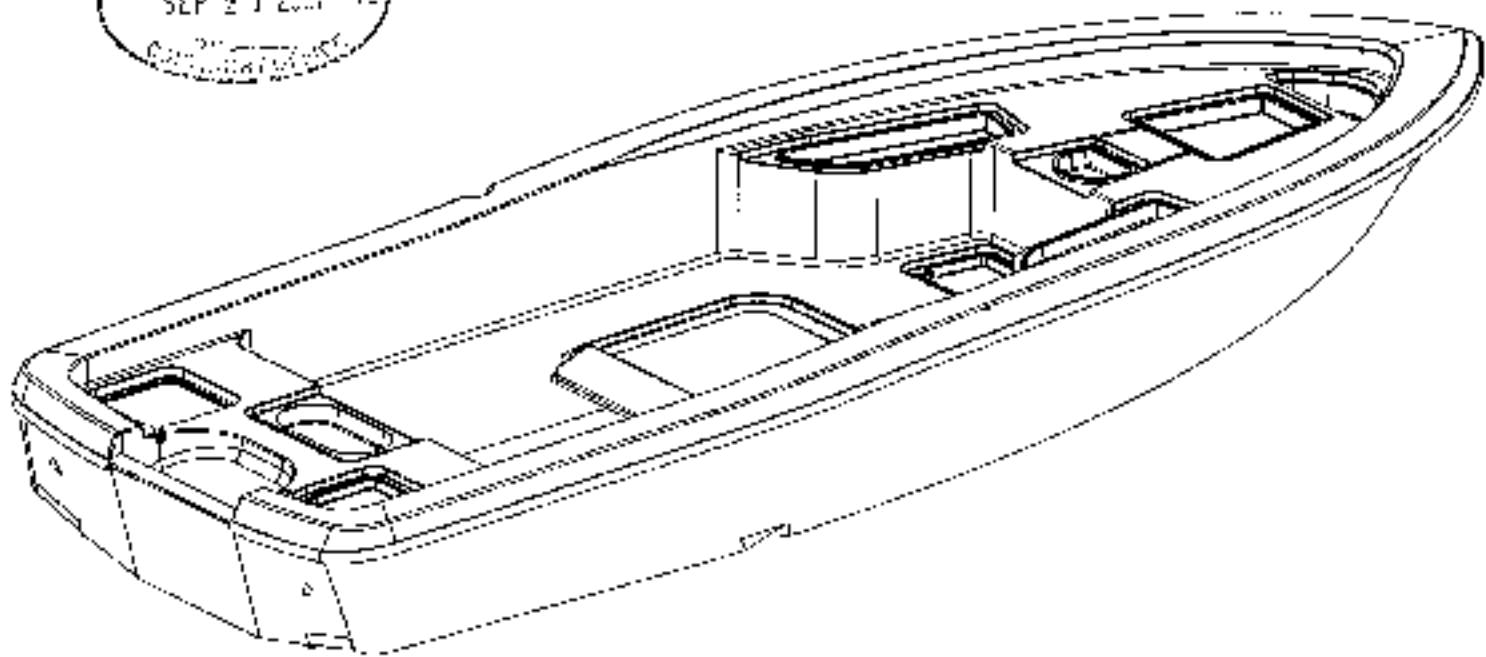
MAIL TO:

Dept. D-VH
Vessel Hull Registration
P.O. Box 71380
Washington, D.C. 20024-1380

17 U.S.C. §1327. Penalty for false representation. "Whoever knowingly makes a false representation materially affecting the rights obtainable under this chapter for the purpose of obtaining registration of a design under this chapter shall pay a penalty of not less than \$500 and not more than \$1,000, and any rights or privileges that individual may have in the design under this chapter shall be forfeited."

FIG. 1

MI 061
LIBRARY OF CONGRESS
SEP 27 2007
GAINESVILLE, FL



U.S. GOVERNMENT
PRINTING OFFICE
D 022 999 200 3

FIG. 2

DWH 0361

LIBRARY OF CONGRESS
SEP 27 2007 23
COPYRIGHT OFFICE

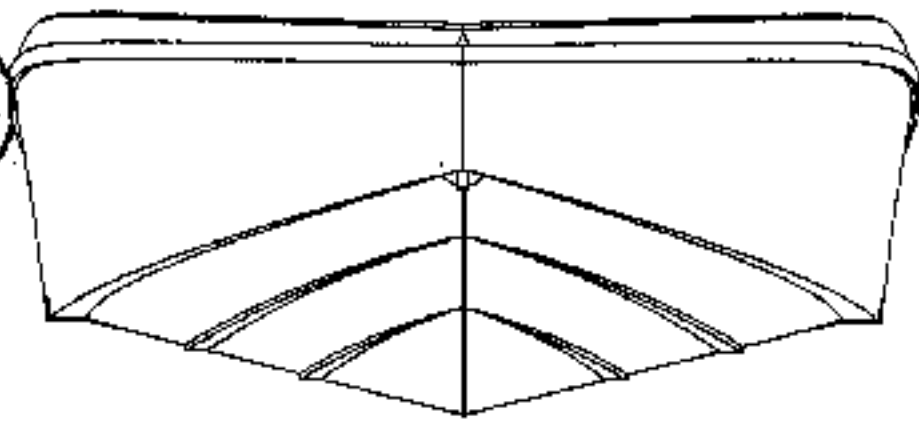


FIG. 3

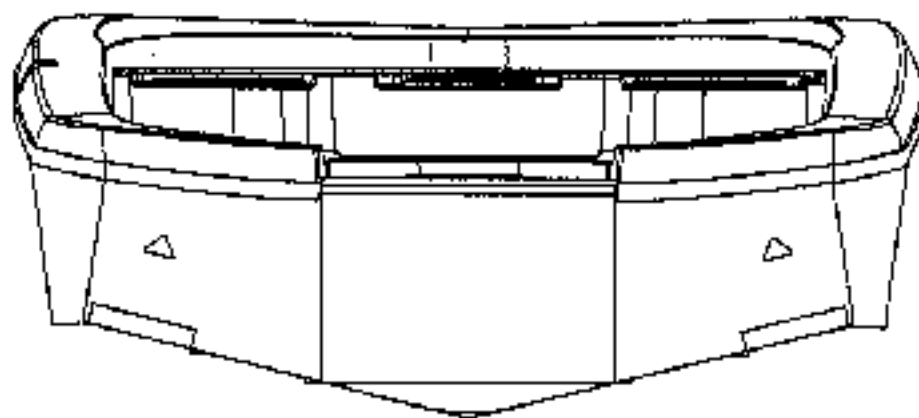


FIG. 4

DWH 0361

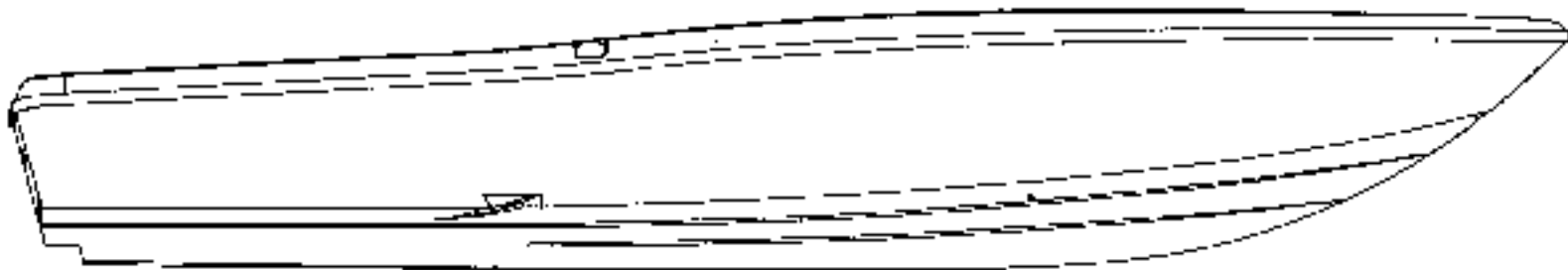


FIG. 5

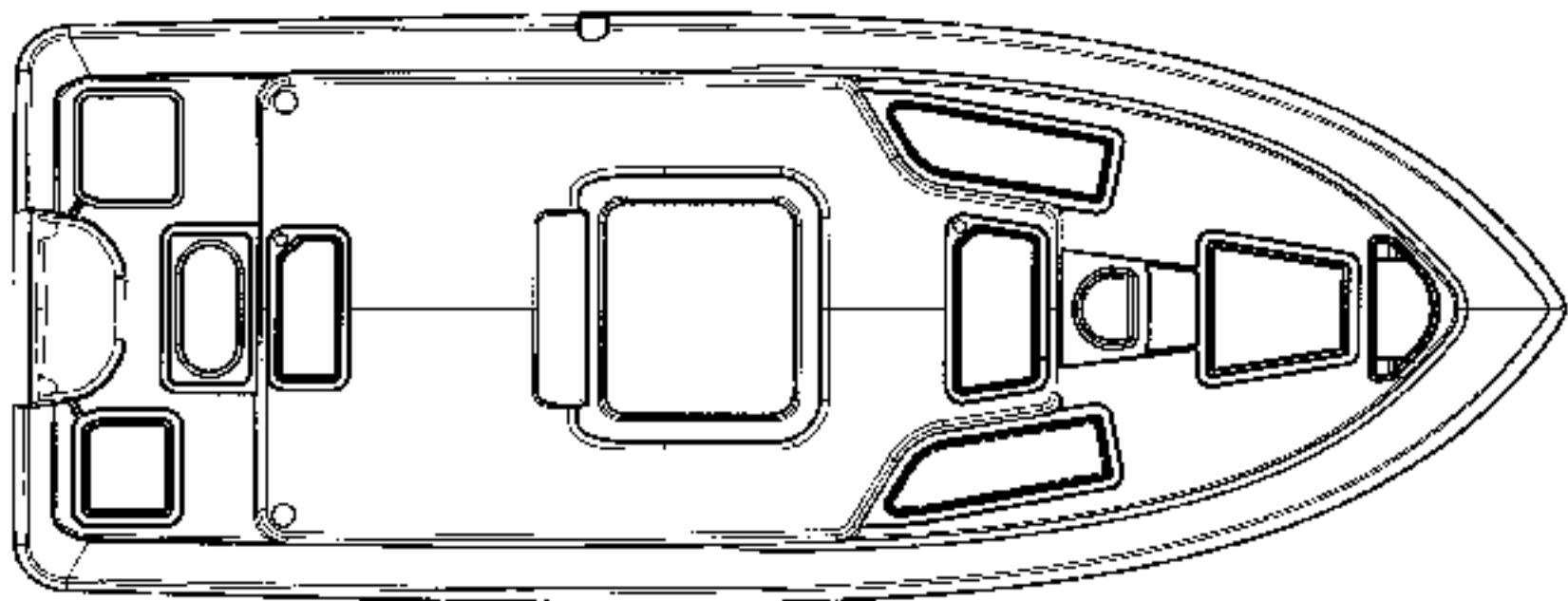


FIG. 6

DW 0361

