



DVH 0359

DATE OF REGISTRATION/PUBLICATION
 10 30 07
 Month Day Year

DO NOT WRITE ABOVE THIS LINE. IF YOU NEED MORE SPACE, USE A SEPARATE CONTINUATION SHEET. (Form D-VH/CON)

1
TITLE

Please give the make and model of the vessel that embodies the design.

Wellcraft 210 Coastal

2
DESIGN

(a) What is the type or style of the design for which registration is sought?

Cruiser and fishing boat

(b) Provide a brief general statement setting forth the salient features of the design.

The features relate to the design of the deck and the configuration of the hull.

Check here if this is a single design.

Check here if registering more than one design.

Use Form D-VH/CON for additional designs.

(c) If this design is derived from an earlier design, describe how that design has been revised, adapted, or rearranged.

3
DESIGNER(S)

Provide the name and address of the designer(s). The name of the employer may be given instead of the designer(s) if, (1) the design was made within the regular scope of employment of the designer(s) and (2) the individual authorship of the design is difficult or impossible to ascribe.

Please check here if those conditions are satisfied and you are providing the employer's name.

Name: Wellcraft Marine

Address: 1651 Whitfield Avenue
 Sarasota, Florida 34243

4
OWNER, IF NOT DESIGNER(S)

If the owner is different from the designer(s) or employer named above, provide the name and address of the owner:

Name: _____

Address: _____

5
PRIORITY CLAIM

(a) Was an application for registration of this design identified in an application filed in a foreign country that extends to designs of owners who are citizens of the United States, or to persons filing applications in the United States, similar protection to that afforded in 17 U.S.C. chapter 13?

Yes No

(b) If yes, identify the country and date of application:

Country: _____

Date of application: _____

Serial No: _____

6
DATE MADE PUBLIC

Was this design made public before the date of application? Yes No

If yes, on what date? July 18 2007
 Month Day Year

DO NOT WRITE HERE OFFICE USE ONLY
 APPLICATION RECEIVED SEP 27 2007
 DESIGN COPIES RECEIVED SEP 27 2007
 FUNDS RECEIVED

EXAMINED BY JHA
CHECKED BY _____

CORRESPONDENCE
 Yes

FOR
COPYRIGHT
OFFICE
USE
ONLY

DO NOT WRITE ABOVE THIS LINE. IF YOU NEED MORE SPACE, USE A SEPARATE CONTINUATION SHEET. (Form D-VH/CON)

Please provide the name and address of the person to whom correspondence regarding this application may be directed:

Name: Alpaslan Sapmaz
Address: 3200 IDS Center, 80 South Eighth Street, Minneapolis, Minnesota 55402
Email address: asapmaz@merchant-gould.com
FAX number: 612-332-9081 Daytime phone: (612) 766-6093

Give the name and account number if the registration fee is to be charged to a Deposit Account established in the Copyright Office:

Name of Account: _____
Account number: _____

DECLARATION: The undersigned, as the applicant or the applicant's duly appointed agent or representative, being hereby warned that willful false statements are punishable by fine or imprisonment, or both, under 18 U.S.C. §1001, and that such willful false statements may jeopardize the validity of this application or any resulting registration, hereby declares to the best of his or her knowledge and belief:

- (1) that the design has been fixed in a useful article;
- (2) that the design is original and was created by the designer(s), or employer if applicable, named in the application;
- (3) that those aspects of the design for which registration is sought are not protected by a design patent;
- (4) that the design has not previously been registered on behalf of the applicant or applicant's predecessor in title; and
- (5) that the applicant is the person entitled to protection and to registration under chapter 13 of title 17, United States Code.

Complete if applicable:

The design has been made public with a design notice as prescribed by 17 U.S.C. §1306.
Following is the exact form of the design notice:

Protected Design, Wellcraft Marine, 2007
Where on the useful article is the design notice located?
Transom

If the undersigned is not the applicant, he or she is properly authorized to execute this application on behalf of the applicant.

Signature [Signature]
Alpaslan Sapmaz
Print or type name
612-766-6093 Telephone number
612-332-9081 FAX number

9/20/07 Date
Attorney
Position or Title
asapmaz@merchant-gould.com Email address

Copyright Office fees are subject to change. For current fees, check the Copyright Office website at www.copyright.gov, write the Copyright Office, or call (202) 707-3000.

Certificate will be mailed in window envelope to this address:

Name ▼	Alpaslan Sapmaz
Number/Street/Apt ▼	3200 IDS Center, 80 South Eighth Street
City/State/ZIP ▼	Minneapolis, Minnesota 55402

YOU MUST:

- Complete all necessary spaces
- Sign your application in space 9

SEND ALL 3 ELEMENTS IN THE SAME PACKAGE:

1. Application form
2. Nonrefundable filing fee in check or money order payable to Register of Copyrights
3. Design material

MAIL TO:
Dept. D-VH
Vessel Hull Registration
P.O. Box 71380
Washington, D.C. 20024-1380

17 U.S.C. §1327. Penalty for false representation. "Whoever knowingly makes a false representation materially affecting the rights obtainable under this chapter for the purpose of obtaining registration of a design under this chapter shall pay a penalty of not less than \$500 and not more than \$1,000, and any rights or privileges that individual may have in the design under this chapter shall be forfeited."

FIG. 1

IMI 0359

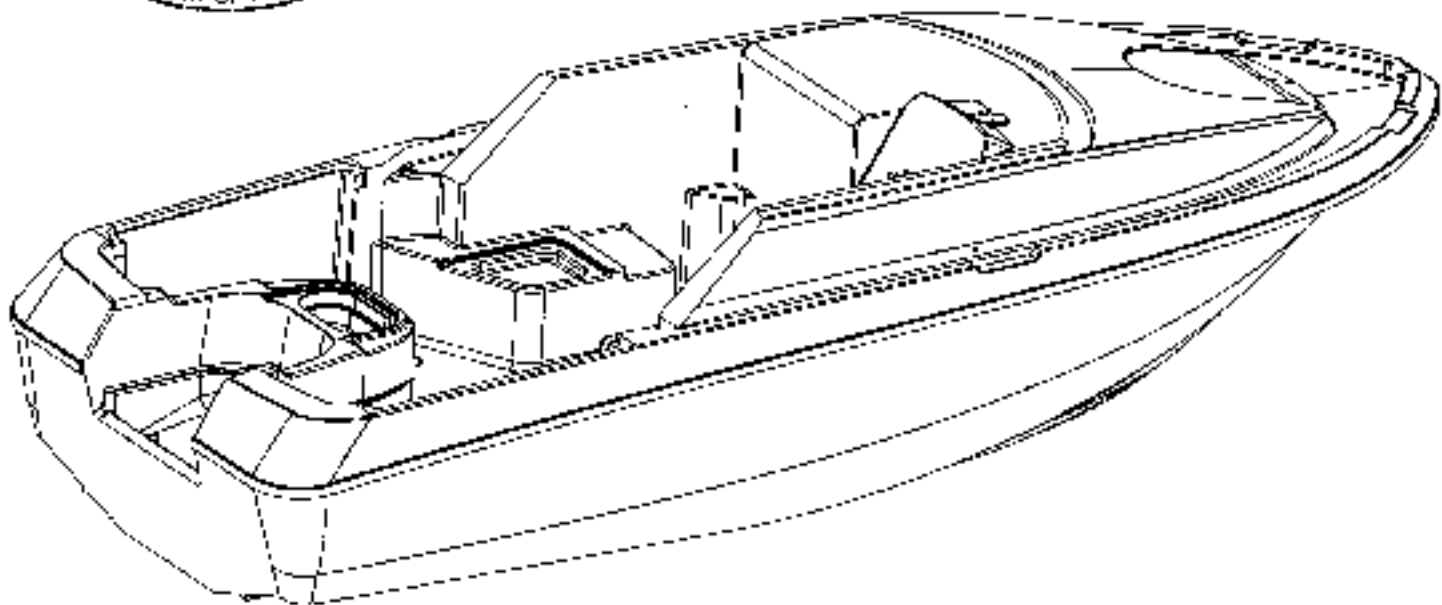
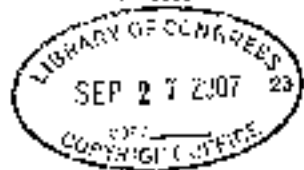


FIG. 2

DVI 0359

LIBRARY OF CONGRESS
SEP 27 2007
COPYRIGHT OFFICE

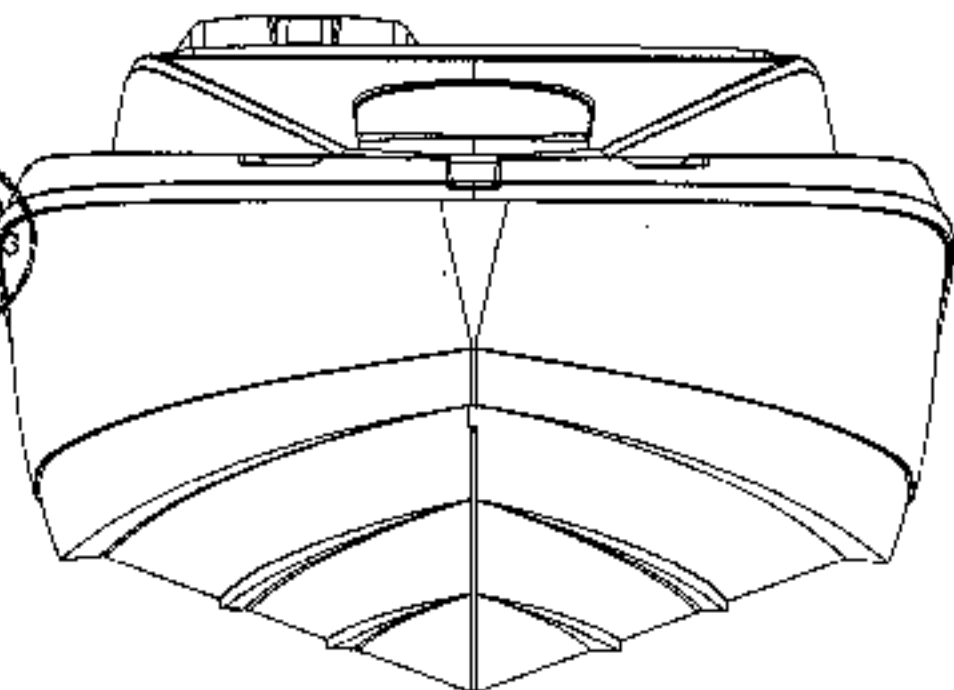


FIG. 3

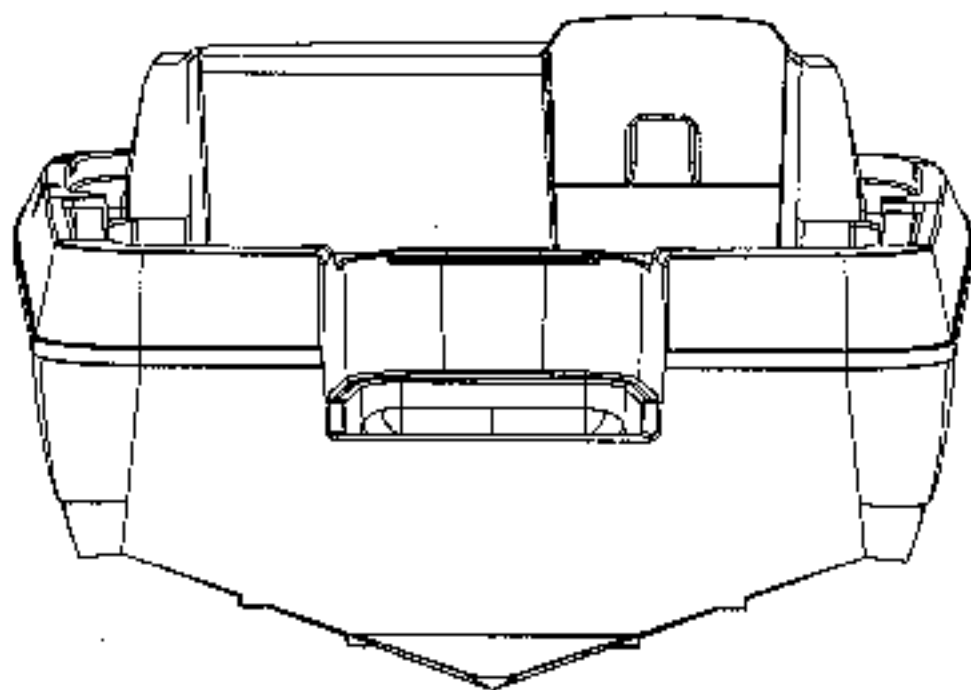
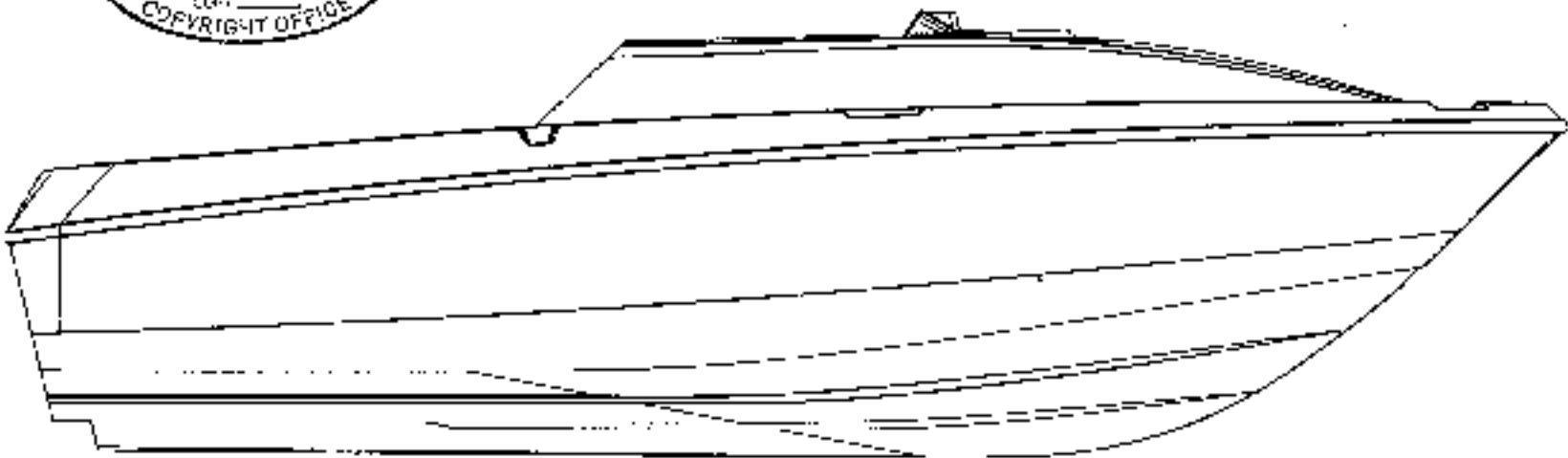


FIG. 4

IXH 0359



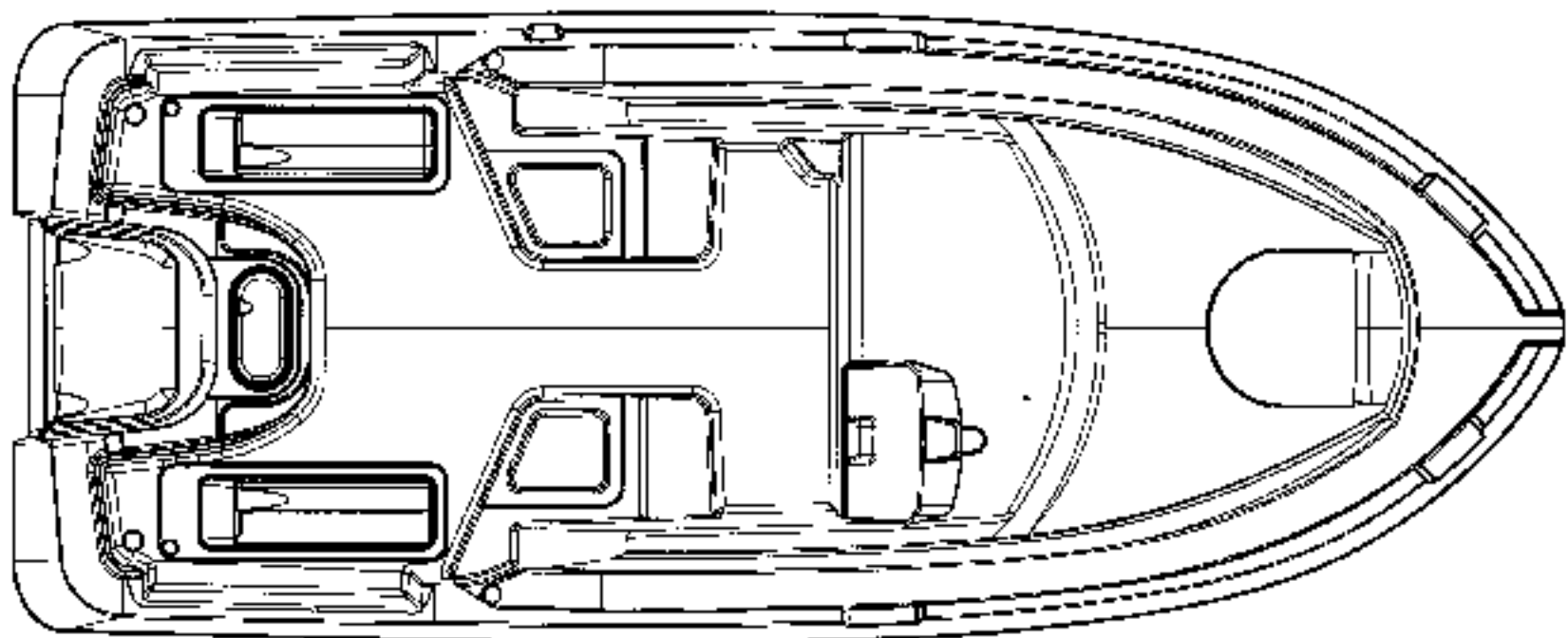
DW 0299

LIBRARY OF CONGRESS

SEP 27 2007

COPY
COPYRIGHT OFFICE

FIG. 5



LHM 0359

FIG. 6

