

REGISTRATION NUMBER

*DVH 0261*

DATE OF REGISTRATION/PUBLICATION

Month *07* Day *26* Year *05*

**DO NOT WRITE ABOVE THIS LINE. IF YOU NEED MORE SPACE, USE A SEPARATE CONTINUATION SHEET. (Form D-VH/CON)**

**1**

Please give the make and model of the vessel that embodies the design.

Vespoli VI

**TITLE**

**2**

(a) What is the type or style of the design for which registration is sought?

Rowing shell

**DESIGN**

(b) Provide a brief general statement setting forth the salient features of the design.  
Overall appearance including hull configuration and shape

Check here if this is a single design.

Check here if registering more than one design. Use Form D-VH/CON for additional designs.

(c) If this design is derived from an earlier design, describe how that design has been revised, adapted, or rearranged.  
N/A

**3**

**DESIGNER(S)**

Provide the name and address of the designer(s). The name of the employer may be given instead of the designer(s) if, (1) the design was made within the regular scope of employment of the designer(s) and (2) the individual authorship of the design is difficult or impossible to ascribe.

Please check here if those conditions are satisfied and you are providing the employer's name.

Manolo Ruiz de Elvira

Name: \_\_\_\_\_

Name: \_\_\_\_\_

Address: c/ Arquitecto Gaudi

Address: \_\_\_\_\_

11 Bajo Exterior

28016 Madrid, SPAIN

**4**

**OWNER,  
IF NOT  
DESIGNER(S)**

If the owner is different from the designer(s) or employer named above, provide the name and address of the owner:

Name: Vespoli USA, Inc.

385 Clinton Ave.

Address: \_\_\_\_\_

New Haven, CT 06513

**5**

**PRIORITY  
CLAIM**

(a) Was an application for registration of this design identified in an application filed in a foreign country that extends to designs of owners who are citizens of the United States, or to persons filing applications in the United States, similar protection to that afforded in 17 U.S.C. chapter 13?

Yes  No

(b) If yes, identify the country and date of application:

Country: \_\_\_\_\_

Date of application: \_\_\_\_\_

Serial No: \_\_\_\_\_

**6**

**DATE MADE  
PUBLIC**

Was this design made public before the date of application?  Yes  No

If yes, on what date? October 1, 2004

Month Day Year

DO NOT WRITE HERE  
OFFICE USE ONLY

APPLICATION RECEIVED APR 28 2005  
DESIGN COPIES RECEIVED APR 28 2005  
FUNDS RECEIVED APR 28 2005

JHA

CHECKED BY

CORRESPONDENCE

Yes

FOR  
COPYRIGHT  
OFFICE  
USE  
ONLY

DO NOT WRITE ABOVE THIS LINE. IF YOU NEED MORE SPACE, USE A SEPARATE CONTINUATION SHEET. (Form D-VH/CON)

Please provide the name and address of the person to whom correspondence regarding this application may be directed:

Name: Peter W. Peterson, DeLio & Peterson, LLC

Address: 121 Whitney Avenue

New Haven CT 06510

Email address delpet@delpet.com

FAX number 203-787-5818

Daytime phone: ( 203 ) 787-0595

Give the name and account number if the registration fee is to be charged to a Deposit Account established in the Copyright Office:

Name of Account:

Account number:

**DECLARATION:** The undersigned, as the applicant or the applicant's duly appointed agent or representative, being hereby warned that willful false statements are punishable by fine or imprisonment, or both, under 18 U.S.C. §1001, and that such willful false statements may jeopardize the validity of this application or any resulting registration, hereby declares to the best of his or her knowledge and belief:

- (1) that the design has been fixed in a useful article;
- (2) that the design is original and was created by the designer(s), or employer if applicable, named in the application;
- (3) that those aspects of the design for which registration is sought are not protected by a design patent;
- (4) that the design has not previously been registered on behalf of the applicant or applicant's predecessor in title; and
- (5) that the applicant is the person entitled to protection and to registration under chapter 13 of title 17, United States Code.

Complete if applicable:

The design has been made public with a design notice as prescribed by 17 U.S.C. §1306. Following is the exact form of the design notice:

**Protected Design (D) 2004 Vespoli USA, Inc.**

Where on the useful article is the design notice located?

**On the inside bulkhead of boat hull**

If the undersigned is not the applicant, he or she is properly authorized to execute this application on behalf of the applicant.

Michael Vespoli

Print or type name

Telephone number 203-773-0311

FAX number 203-562-1891

April 11 2005  
Date  
President

Position or Title

talk@vespoli.com

Email address

Copyright Office fees are subject to change. For current fees, check the Copyright Office website at [www.copyright.gov](http://www.copyright.gov), write the Copyright Office, or call (202) 707-3000.

Certificate will be mailed in window envelope to this address:

Name ▼	Peter W. Peterson, DeLio & Peterson, LLC
Number/Street/Apt ▼	121 Whitney Avenue
City/State/ZIP ▼	New Haven CT 06510

**YOU MUST:**

- Complete all necessary spaces
- Sign your application in space 9

**SEND ALL 3 ELEMENTS IN THE SAME PACKAGE:**

1. Application form
2. Nonrefundable filing fee in check or money order payable to Register of Copyrights
3. Design material

**MAIL TO:**

Dept. D-VH  
Vessel Hull Registration  
P.O. Box 71380  
Washington, D.C. 20024-1380

17 U.S.C. §1327. Penalty for false representation. "Whoever knowingly makes a false representation materially affecting the rights obtainable under this chapter for the purpose of obtaining registration of a design under this chapter shall pay a penalty of not less than \$500 and not more than \$1,000, and any rights or privileges that individual may have in the design under this chapter shall be forfeited."

LIBRARY OF CONGRESS  
APR 28 2005  
COMMUNITY OFFICE

VESPOLI V1 (blue hull)

DVH 0261



LIBRARY OF CONGRESS  
APR 28 2005  
COPYRIGHT OFFICE

VESPOLI V1 (blue hull) DVH 0261

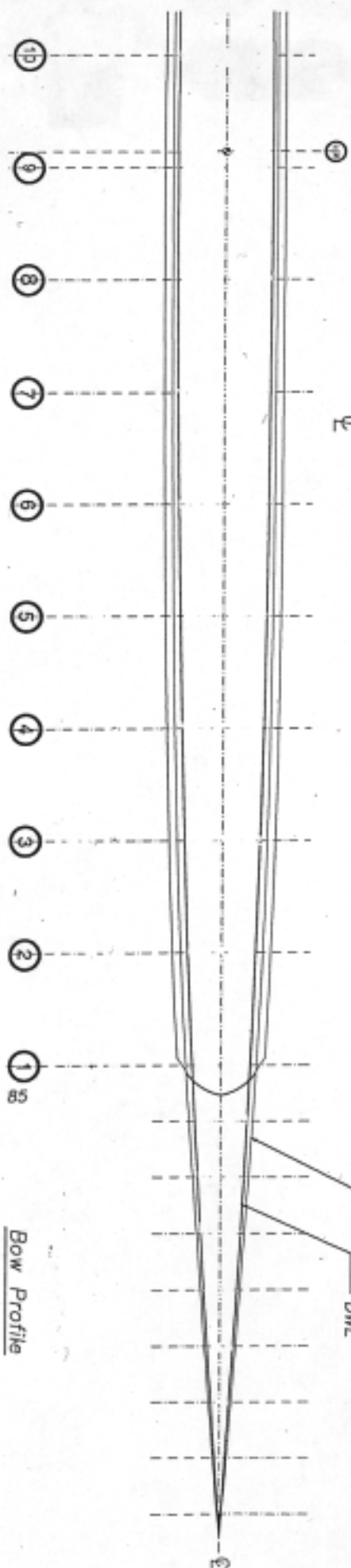
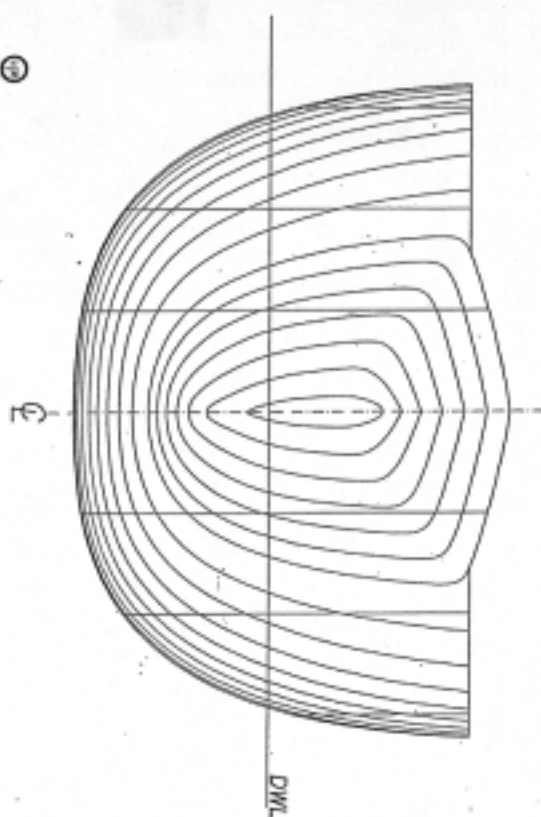


# VESPOLI V1



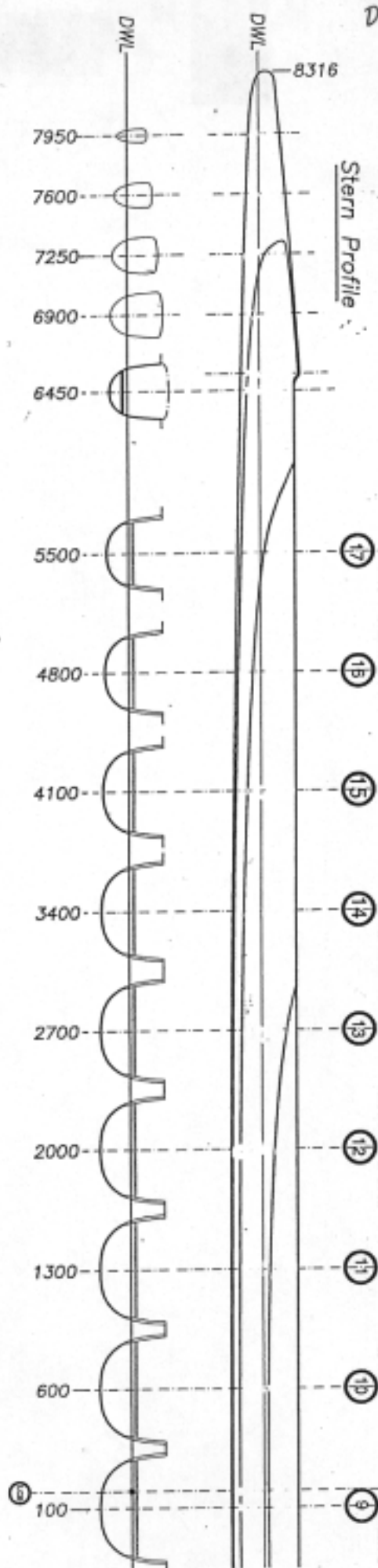
DVH 0261

Bow Sections



Bow Profile

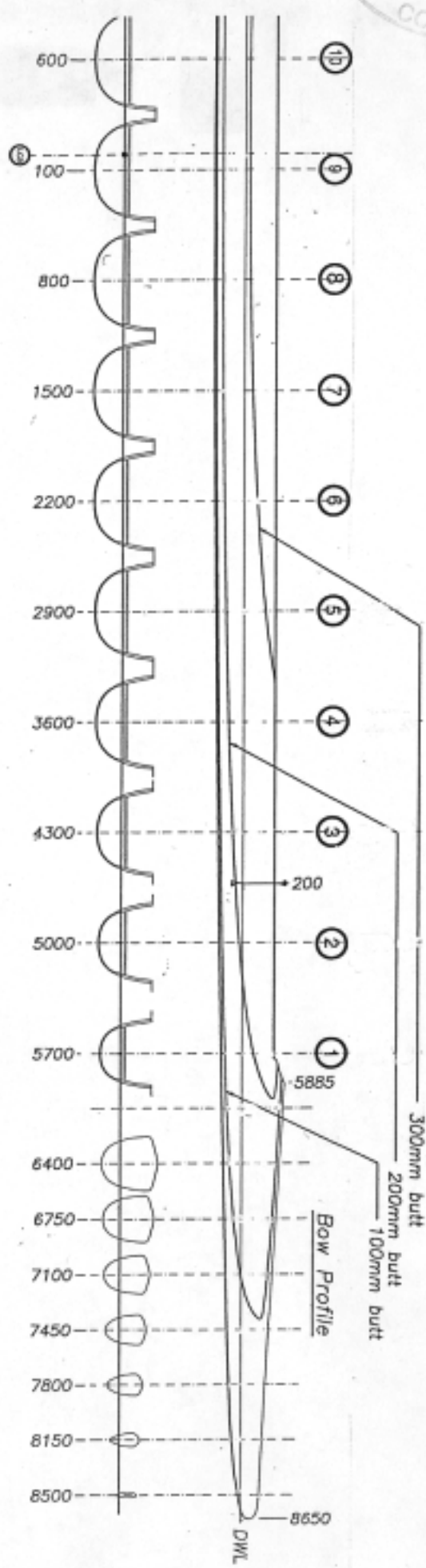
## VESPOLI V1





DVH 0261

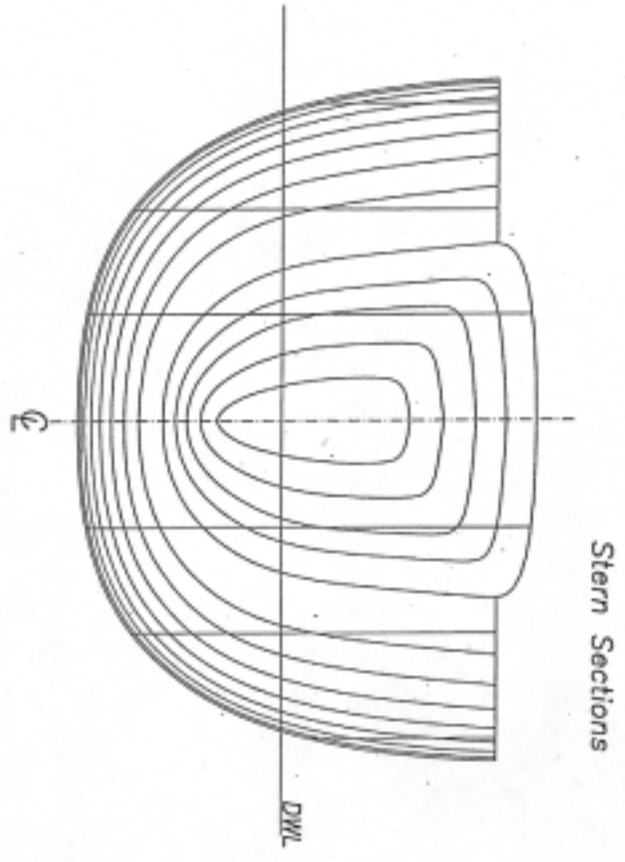
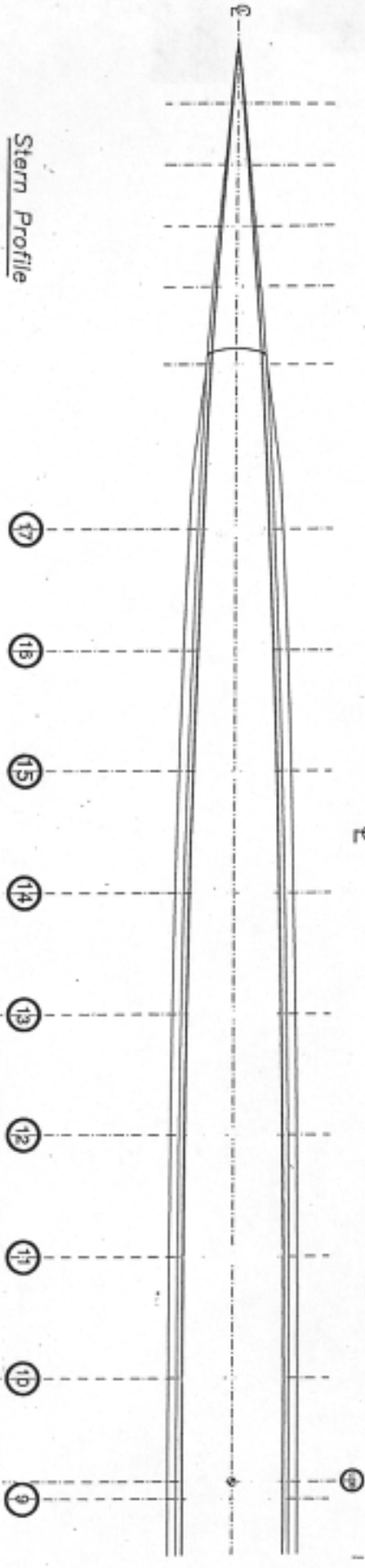
# VESPOLI V1



# VESPOLI V1

DVH 0261

Stern Profile



Stern Sections

