



REGISTRATION NUMBER

DVH 0209

DATE OF REGISTRATION/PUBLICATION

Month 03 Day 04 Year 05

DO NOT WRITE ABOVE THIS LINE. IF YOU NEED MORE SPACE, USE A SEPARATE CONTINUATION SHEET. (Form D-VH/CON)

Please give the make and model of the vessel that embodies the design.

ZODIAC HURRICANE 558

1 TITLE

(a) What is the type or style of the design for which registration is sought?

RIGID INFLATABLE BOAT

(b) Provide a brief general statement setting forth the salient features of the design.

VEE BOTTOM HULL WITH SPRAY RAILS. INFLATABLE OR FOAM COLLAR ABOVE THE CHINE. TRANSOM IS NOTCHED TO PARTIALLY ENCLOSE THE WATERJET.

Check here if this is a single design.

Check here if registering more than one design. Use Form D-VH/CON for additional designs.

(c) If this design is derived from an earlier design, describe how that design has been revised, adapted, or rearranged.

3 DESIGNER(S)

Provide the name and address of the designer(s). The name of the employer may be given instead of the designer(s) if, (1) the design was made within the regular scope of employment of the designer(s) and (2) the individual authorship of the design is difficult or impossible to ascribe.

Check here if those conditions are satisfied and you are providing the employer's name.

Name: ZODIAC HURRICANE TECH

Name:

Address: 7830 VANTAGE WAY

Address:

DELTA, B.C. V49 IAT

4 OWNER, IF NOT DESIGNER(S)

If the owner is different from the designer(s) or employer named above, provide the name and address of the owner:

Name:

Address:

5 PRIORITY CLAIM

(a) Was an application for registration of this design identified in an application filed in a foreign country that extends to designs of owners who are citizens of the United States, or to persons filing applications in the United States, similar protection to that afforded in 17 U.S.C. chapter 13?

Yes No

(b) If yes, identify the country and date of application:

Country:

Date of application:

Serial No:

6 DATE MADE PUBLIC

Was this design made public before the date of application? Yes No

If yes, on what date? MARCH 03 2003

Month Day Year

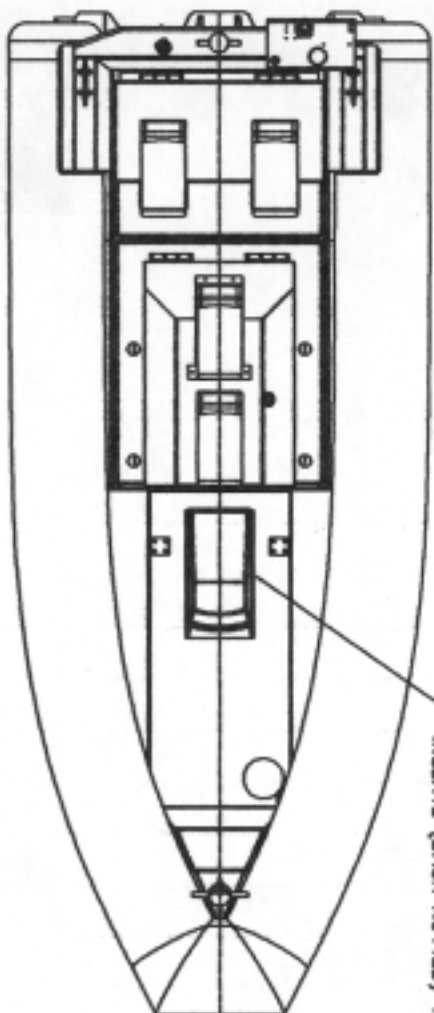
DO NOT WRITE HERE OFFICE USE ONLY

APPLICATION RECEIVED FEB 01 2005
DESIGN COPIES RECEIVED FEB 01 2005
FUNDS RECEIVED FEB 01 2005

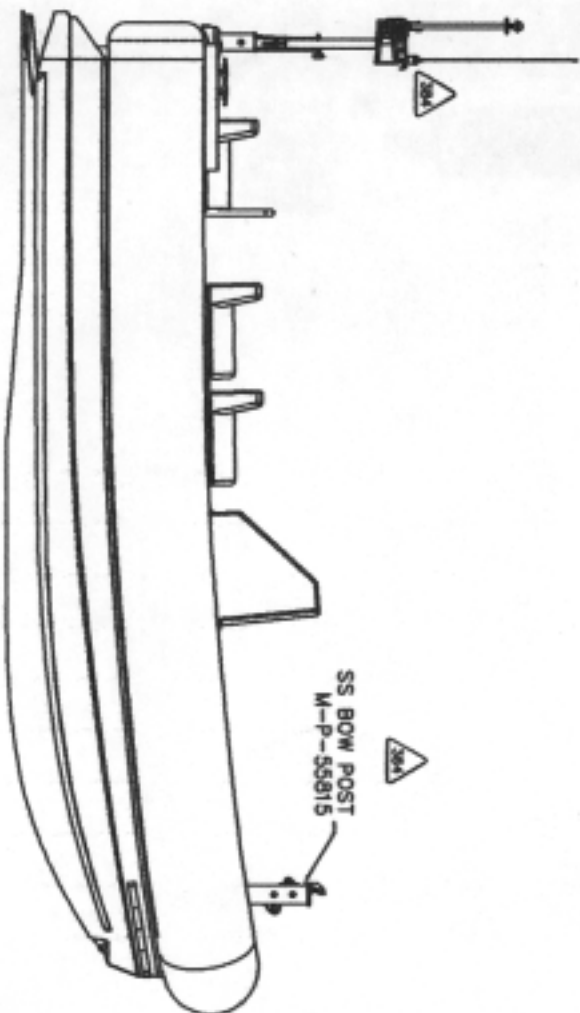
DVH 0209



DVH 0209

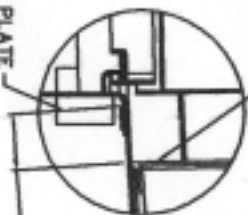


S-M-558002C, FASTEN TO DECK
 PLATE WITH 3/8" HMMs INTO I-F-50021
 INSERTS (BACK NUTTED) TYP 6 PLCS



SS BOW POST
 M-P-55815

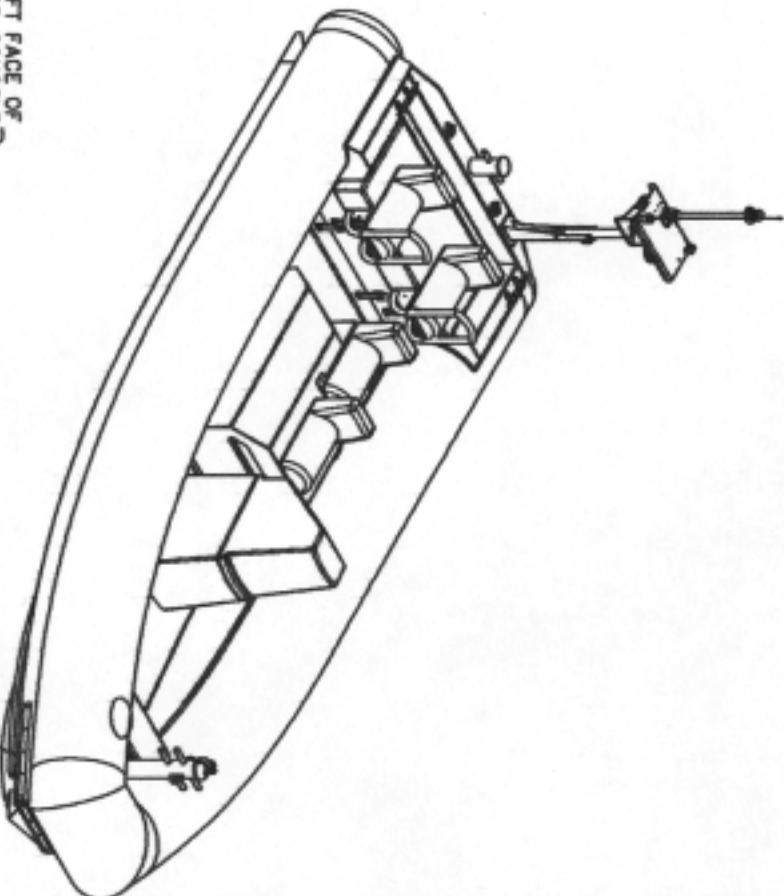
AFT EDGE OF DECK PLATE



AFT FACE OF
 FRP CONSOLE

101

TUBE & BOWSKIRT ATTACHMENT
 (PART OF G-H-558002, HULL/DECK)
 INTO INSERTS I-F-50021
 TYP 16 PLCS



CHANGED ALL 11/03/03 AS BUILT



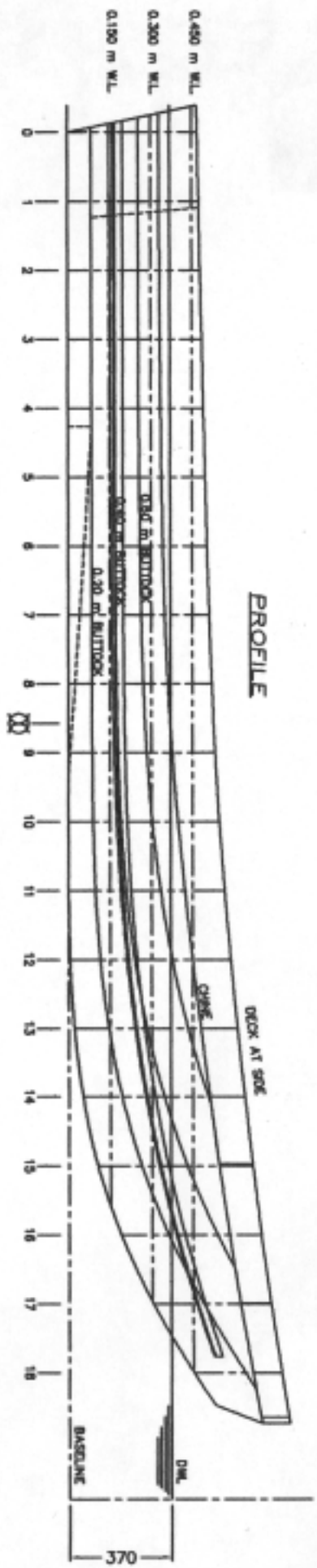
ISSUE NO.	DESCRIPTION	DATE
ALL	ISSUE NO. 101, MOUNTED AFT, NOT BUILT	20/10/04
-	BOW POST BEING REPLACED BY SS BOW POST	

2040427-101-101, 101-101, 101-101
 THIS DRAWING IS THE PROPERTY OF ZODIAC HURRICANE TECHNOLOGIES INC. AND IS NOT TO BE REPRODUCED OR TRANSMITTED IN ANY FORM OR BY ANY MEANS, ELECTRONIC OR MECHANICAL, INCLUDING PHOTOCOPYING, RECORDING, OR BY ANY INFORMATION STORAGE AND RETRIEVAL SYSTEM. WITHOUT THE WRITTEN PERMISSION OF ZODIAC HURRICANE TECHNOLOGIES INC. THIS DRAWING IS UNCLASSIFIED.

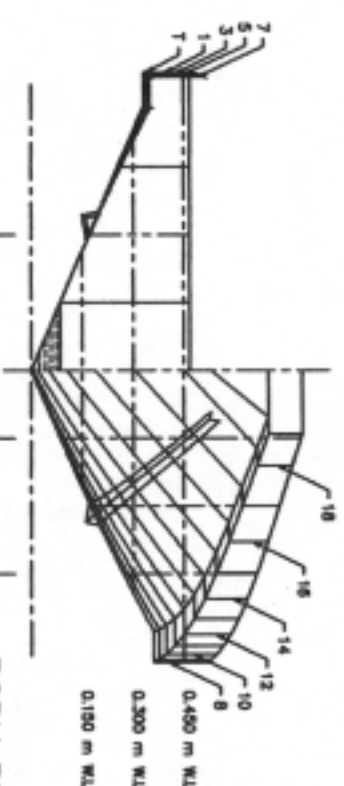
ZODIAC HURRICANE TECHNOLOGIES INC.
 7830 VANTAGE WAY
 DELTA, BC, V4G 1A7
 CANADA

QUART : H558
 TITLE : GENERAL ARRANGEMENT & CONSOLE LOCATION

DRAWN : PDB
 APPROVED : [Signature]
 DATE: 11/04/04 TIME: 13:38
 DWG NO.: SM558003(1A)



DVH 0209



PARTICULARS

LOA (RIGID HULL).....	4.783 m	(15'-8 1/2")
LWL.....	4.444 m	(14'-6 1/2")
BEAM (RIGID HULL).....	1.751 m	(5'-8 3/4")
DEPTH.....	0.526 m	(1'-8 1/2")
DRAFT.....	0.370 m	(1'-2 1/2")



200-505-1111, 780-488-41, 780-228
 THE DRAWING SHALL BE THE PROPERTY OF THE CLIENT AND SHALL NOT BE REPRODUCED OR TRANSMITTED IN ANY FORM OR BY ANY MEANS, ELECTRONIC OR MECHANICAL, INCLUDING PHOTOCOPYING, RECORDING, OR BY ANY INFORMATION STORAGE AND RETRIEVAL SYSTEM, WITHOUT THE WRITTEN PERMISSION OF ZODIAC HURRICANE TECHNOLOGIES INC.



ZODIAC HURRICANE TECHNOLOGIES INC.
 7830 VANTAGE WAY
 DELTA, BC
 CANADA, V4G 1A7

PROJECT : H558 DIESEL JET
 TITLE : LINES PLAN

DRAWN : PJB
 APPROVED : [Signature]
 DATE: 10/16/01 TIME: 08:46

DWG. NO. : GH558001(1B)