



DVH 0187

DATE OF REGISTRATION/PUBLICATION

Month 02 Day 27 Year 04

DO NOT WRITE ABOVE THIS LINE. IF YOU NEED MORE SPACE, USE A SEPARATE CONTINUATION SHEET. (Form D-VH/CON)

1  
TITLE

Please give the make and model of the vessel that embodies the design.  
SEA RAY 320 SPORT CRUISER

2  
DESIGN

(a) What is the type or style of the design for which registration is sought?  
FIBERGLASS MONOHULL AND DECK.

(b) Provide a brief general statement setting forth the salient features of the design.

HULL SHAPE, DECK AND COCKPIT DESIGN; ~~ENGINE ROOM DESIGN, SEATING ARRANGEMENTS, CONSOLE DESIGN, CABIN FEATURES, RAILBY, AND MOON DESIGN.~~

DELETED 11/25/04 DR

(c) If this design is derived from an earlier design, describe how that design has been revised, adapted, or rearranged.  
NEW MODEL, IMPROVED AND REVISED FEATURES, ADDED DESIGNS AND UNIQUE STYLING.

3  
DESIGNER(S)

Provide the name and address of the designer(s). The name of the employer may be given instead of the designer(s) if, (1) the design was made within the regular scope of employment of the designer(s) and (2) the individual authorship of the design is difficult or impossible to ascribe.

Please check here if those conditions are satisfied and you are providing the employer's name.

Name: SEA RAY BOATS  
A DIVISION OF BRUNSWICK CORPORATION  
Address: 2600 SEA RAY BOULEVARD  
KNOXVILLE, TN 37914

4  
OWNER, IF NOT DESIGNER(S)

If the owner is different from the designer(s) or employer named above, provide the name and address of the owner:

Name: N/A

Address:

5  
PRIORITY CLAIM

(a) Was an application for registration of this design identified in an application filed in a foreign country that extends to designs of owners who are citizens of the United States, or to persons filing applications in the United States, similar protection to that afforded in 17 U.S.C. chapter 13?  
 Yes  No

(b) If yes, identify the country and date of application:

Country: \_\_\_\_\_  
Date of application: \_\_\_\_\_

Serial No: \_\_\_\_\_ NOV 26 2003

6  
DATE MADE PUBLIC

Was this design made public before the date of application?  Yes  No

If yes, on what date? NOVEMBER 30, 2001  
Month Day Year

DO NOT WRITE HERE OFFICE USE ONLY  
APPLICATION RECEIVED SEP 22 2003  
DESIGN COPIES RECEIVED SEP 22 2003  
FUNDS RECEIVED SEP 22 2003

## 320 Sundancer®

2003

**FEATURES**

- Sleek new profile.
- Wide open, spacious cabin with abundant storage throughout.
- Portside circular cockpit lounger.
- Waterproof switch pads.
- Large extended swim platform.
- Water manifold system.
- Bonded-in circular skylights.
- Island-style V-berth bed.
- Optional stainless steel windshield frame.
- Optional bow thruster.

**SEA RAY SPORT CRUISERS 2003****320 SUNDANCER®**

Overall length		
w/std. extended		
swim platform	35' 6"	10.82 m
Beam	11' 5"	3.48 m
Draft		
(Stern drive down)	43"	109.2 cm
(Stern drive up)	33"	83.8 cm
(Inboards)	33"	83.8 cm
Dry weight	13,800 lbs	6,260 kg
Fuel capacity	200 gal	757 L
Water capacity	40 gal	151.4 L
Holding tank	28 gal	106 L
Dead rise	21°	21°



DVH 0187

THIS DRAWING IS THE PROPERTY OF SEA RAY BOATS, INC. ALL RIGHTS ARE RESERVED. THIS DRAWING OR INFORMATION CONTAINED MAY NOT BE COPIED OR DISCLOSED TO OTHERS WITHOUT THE WRITTEN PERMISSION OF SEA RAY BOATS, INC.

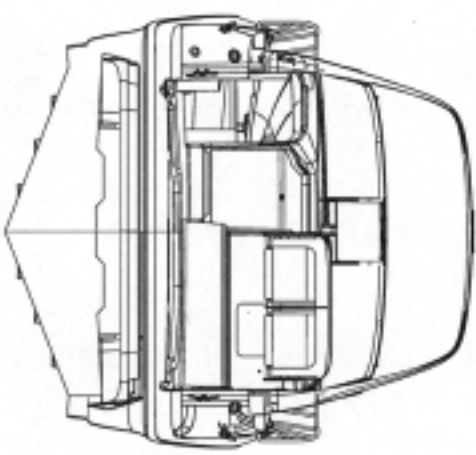
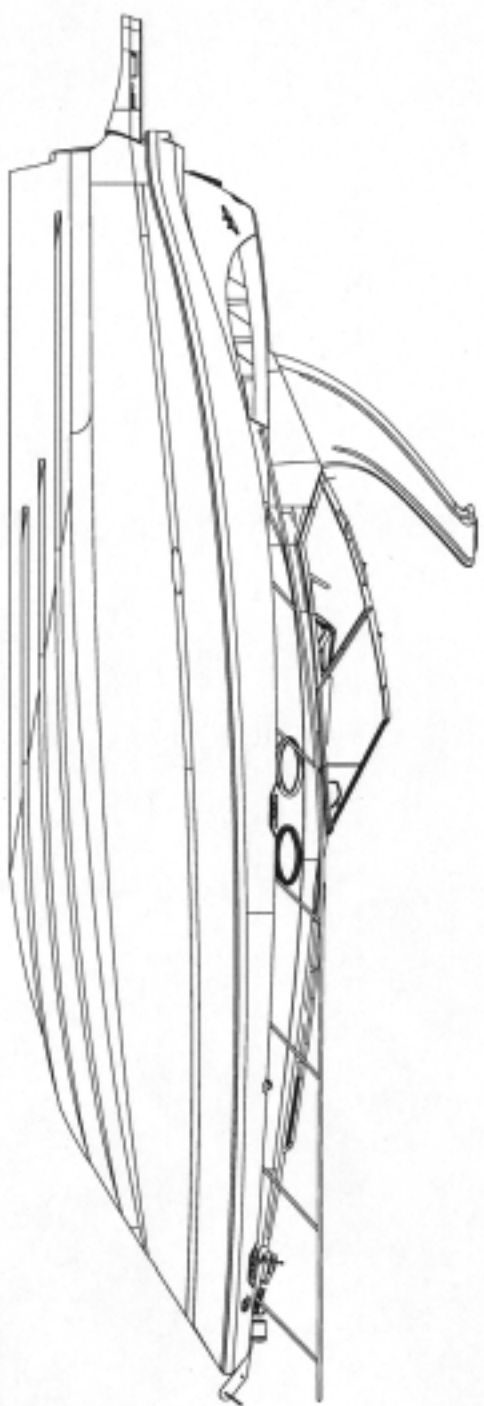
NOTES

REVISED BY

DATE

ECN NO.

DATE ECN NO.



DWG TITLE COPYRIGHT DRAWINGS

PLANT REV. NO./DATE

PLANT APPROVAL BY

PLANT ECN NO.

DESIGNED BY/ DATE

APPROVED BY/ DATE

UNDESIGNED DRAWING, CAD FILE IN USMANAGER BY MODEL, YEAR, MODEL.

MODEL 3200A 2002

DRAWN BY/ DATE DRAWN J. SAUNDERS

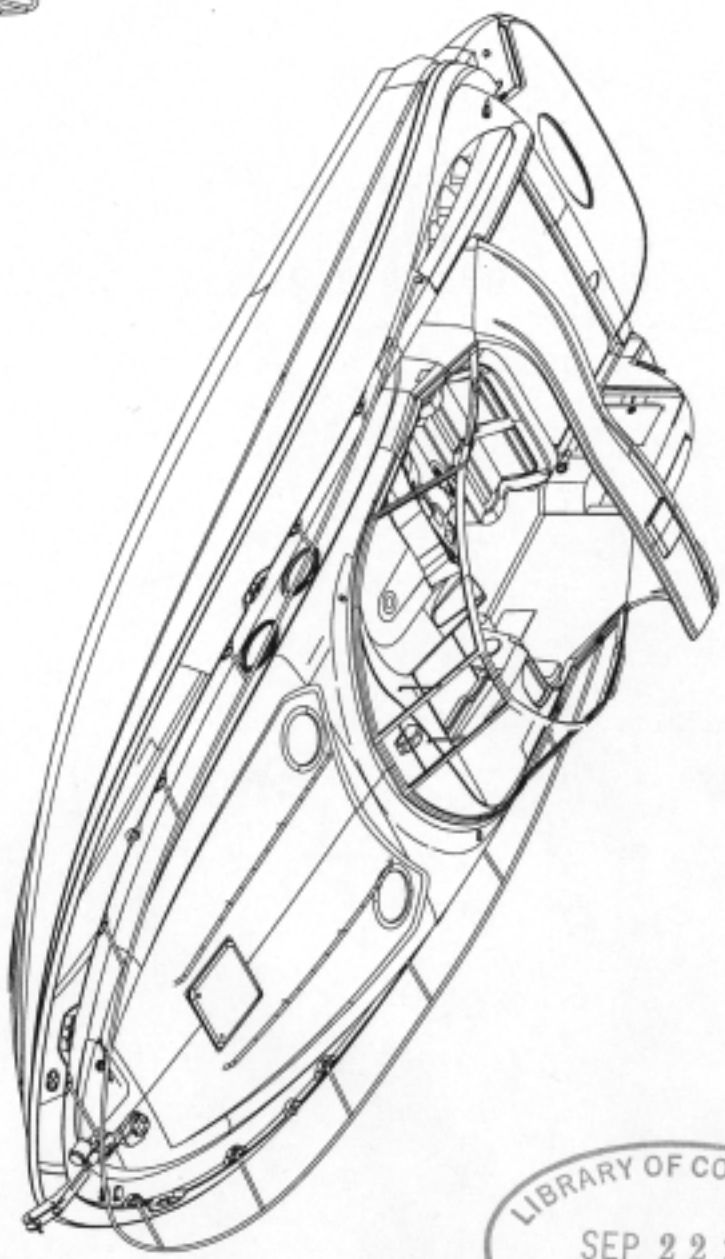
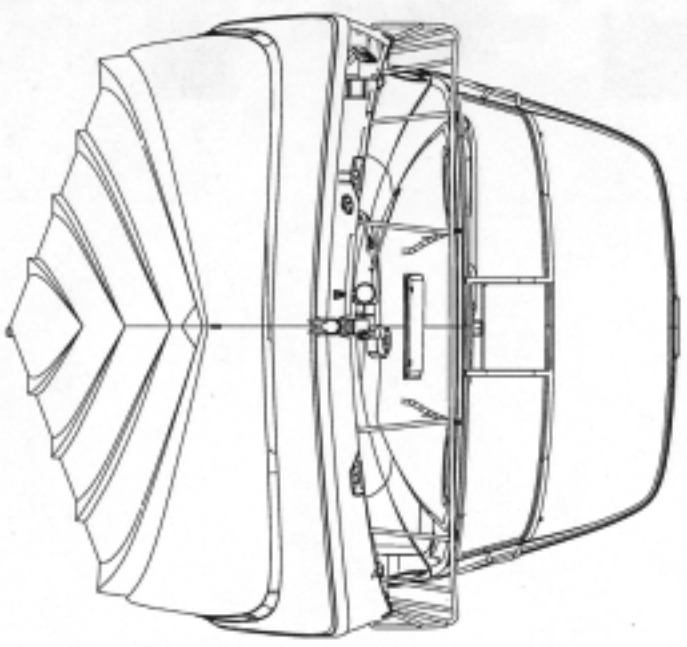
INITIAL RELEASE ECN NO.

DRAWING NO. 136-02-090 12 OF 31

THIS DRAWING IS THE PROPERTY OF SEA RAY BOATS, INC. ALL RIGHTS ARE RESERVED. THIS DRAWING AND INFORMATION CONTAINED HEREIN MAY NOT BE REPRODUCED OR TRANSMITTED IN ANY FORM OR BY ANY MEANS, ELECTRONIC OR MECHANICAL, WITHOUT THE WRITTEN PERMISSION OF SEA RAY BOATS, INC.

NOTES	REVISED BY	DATE	ECN NO.	QUANTITY ECN NO.

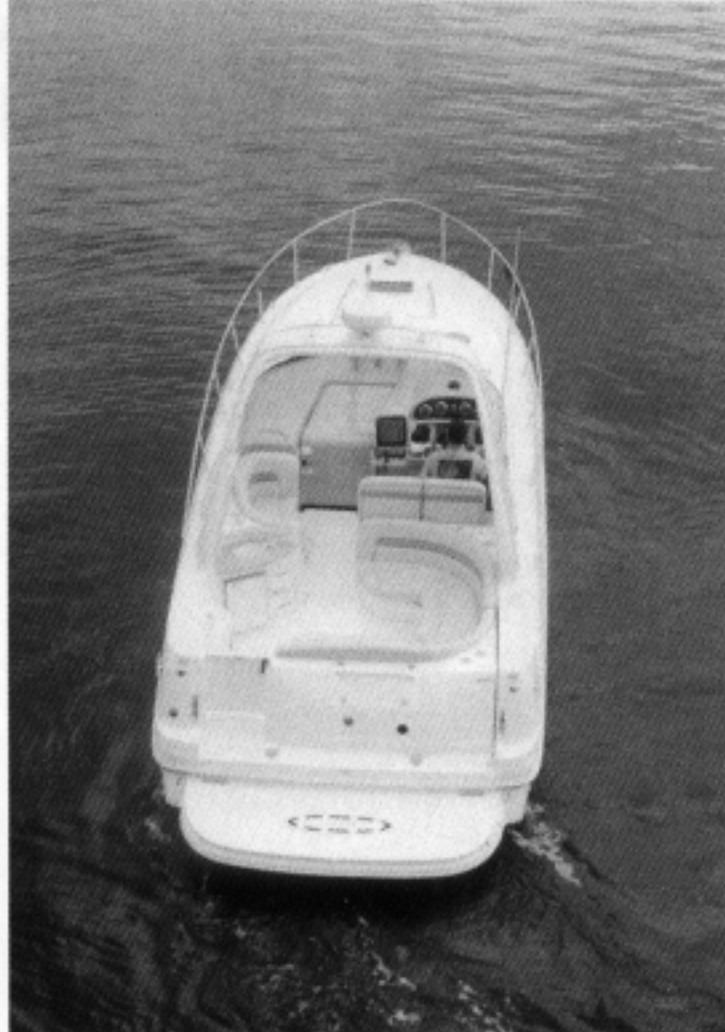
DVH 0187



ORIGINAL TITLE: <b>COPYRIGHT DRAWINGS</b>		MODEL: <b>3200A 2002</b>	
PLANT REV. NO./DATE:	DESIGNED BY/DATE:	DRAWN BY/DATE: <b>J. SAUNDERS</b>	INITIAL RELEASE ECN NO.:
PLANT APPROVAL BY:	APPROVED BY/DATE:	INITIAL RELEASE ECN NO.:	DRAWING NO.: <b>11-13-01</b>
PLANT NO. / ECN NO.:	UNIFORMS DRAWING, CAD FILE IN UPPERCASE BY: MODEL YEAR MODEL:	INITIAL RELEASE ECN NO.:	DRAWING NO.: <b>1318-02-090 0 OF 31</b>



DVH 0187



09/16/02

2002 Model Year 320DA  
Sea Ray Boats, Inc.





DVH 0187



09/16/02

2002 Model Year 320DA  
Sea Ray Boats, Inc.



## 320 Sundancer

2003



There's plenty of room for company with a custom adjustable companion helm seat with thigh-rise bolsters, curved lounge seat to port, and U-shaped aft seating with fiberglass storage base. The cockpit also offers a wet bar with stainless steel handrail and storage below.



The broad dash places everything in easy sight and reach, including illuminated waterproof switch pads, custom backlit instrumentation, digital depth finder, VHF radio, and plenty of room for additional electronics.



A crescent-shaped sofa in the salon converts to a roomy bed for overnight guests. The salon also features a dinette table with designated storage.

There's plenty of room for family, friends and almost anything you care to bring onboard the sleek new Sea Ray 320 Sundancer. Thanks to the standard power of twin 5.0L MPI Bravo® III MCM stern drives (T-260 hp), you'll have no trouble leaving your daily routine at the dock as you enjoy hours of relaxing fun on the water. For extended excursions, this stylish cruiser with its bold, new profile offers plenty of sleeping accommodations.



Faux granite countertops and the cherry wood package with Formica® cabinets add to the feeling of luxury. The galley also features a refrigerator, microwave, two-burner electric stove and lots of storage.



The spacious V-berth sleeps two comfortably on the built-in island-style double bed with storage drawers below. Enjoy the entertainment package that includes Clarion® AM/FM stereo with six-disc CD changer and six speakers, and a 13" TV/VCR combo with remote.



From the salon, step down to the conversation area, which includes seating that converts to a double berth with slide-out base. Overnight guests will appreciate the privacy curtain here.

Sea Ray Boats, Inc., 2600 Sea Ray Blvd., Knoxville, TN 37914. For information call 1-800-SRBOATS or fax 1-865-213-7878. Internet address: <http://www.searay.com>  
 Note: Not all accessories shown in pictures or described herein are standard equipment or even available as options. Options and features are subject to change without notice.  
 Not all model year boats may contain all the features or meet the specifications described herein. Confirm availability of all accessories and equipment with an authorized Sea Ray dealer prior to purchase. Printed in the U.S.A. August 2002 © Sea Ray Boats, Inc. MRP#1691440

**ABYC**  
 Sponsor of ABYC Marine  
 Certification School

**CE**

*Sea Ray*



**NMMA**

**Electronics:**

Depth Finder (Lowrance® 3500)  
 Electronics Circuit (30 Amp)  
 VHF Radio (Raymarine 215) w/8' Fiberglass Antenna  
 & Stainless Steel Ratchet Mount

**Electrical Systems:**

Battery Charger/Converter, 120V/60 Cycle  
 Battery Switch, Dual  
 Battery Trays w/Mounts  
 Breaker Panels, Waterproof - Electronic Interface  
 Modules (Helm & Engine Room)  
 Isolator, Galvanic  
 Mercathode II (Stern Drives Only)  
 Panel, DC Main Breaker  
 Panel, Main Distribution - AC  
 Panel, Main Distribution - DC  
 Shore Power, 30 Amp/120V/60 Cycle  
 w/50' Cord & Adapter  
 TV/Phone Inlet w/TV Antenna & TV Shore Cord  
 Wiring, Color-Coded w/Chafe Protection

**Air Conditioning/Heating:**

Reverse Cycle System  
 (12,000 BTU)  
 Custom Integral Vent System

**Engine Room:**

Bilge Pump, 12V Automatic  
 Bilge Pumps, 12V Automatic High-Water  
 (1 Bilge, 1 Cabin)  
 Blowers, 12V Bilge (2)  
 Exhaust, Underwater - Patented (V-Drives Only)  
 Filters, Oil - Remote  
 Fire Suppression System - Automatic  
 w/Manual Pull  
 Gel-Coated Engine Room  
 Insulation, Engine Room - 2"  
 w/Vinyl Barrier Under Main Hatch  
 Lighting, 12V

**Fuel System:**

Fuel Lines, USCG - Type A-1  
 Fuel Tanks, Aluminum w/Electric Shutoff Valves &  
 Electric Sending Units

**Water System:**

Freshwater Washdown Spigot  
 Pressure Water System w/12V Pump  
 Shower, Cockpit - Hot & Cold  
 Water Heater, 120V (6-Gallon) w/Exchanger  
 Water Inlet, Dockside  
 Water Manifold System  
 Water Tank (40-Gallon)

**Waste Systems:**

Head System (VacuFlush®)  
 Holding Tank Level Indicator - MDP  
 Holding Tank w/Dockside Pump-Out (28-Gallon)  
 Sump Box w/Pump - Automatic

**Underwater Gear:**

Bonding System w/Zinc Hull Plate  
 (V-Drives Only)  
 Propeller Shafts, 1 1/2" Stainless Steel (2)  
 - Aquamet 19 (V-Drives Only)  
 Propellers, Nihral 3-Blade (V-Drives Only)  
 Propellers, Stainless Steel (Stern Drives Only)  
 Rudders, Manganese-Bronze (V-Drives Only)  
 Seacocks - Engines (V-Drives Only)  
 Seawater Strainers - Engines (V-Drives Only)  
 Shaft Logs, Dripless w/Extra Seal Carrier Kit  
 (V-Drives Only)  
 Struts, Manganese-Bronze (V-Drives Only)  
 Trim Tabs, Hydraulic

**STANDARD PROPULSION**

T-5.0L MPI Bravo® III MCM Stern Drives  
 (T-260 hp - 194 kW)

**Options/Accessories****OPTIONAL PROPULSION****Twin Gasoline Stern Drives:**

T-MX6.2L MPI Bravo® III MCM  
 (T-320 hp - 239 kW)  
 T-496 Magnum® Bravo® III MCM  
 (T-375 hp - 280 kW)

**Twin Gasoline V-Drives:**

TVD-350 Magnum® MPI MerCruiser®  
 (T-300 hp - 224 kW)  
 TVD-350 Magnum® MPI Horizon MerCruiser®  
 (T-300 hp - 224 kW)  
 TVD-MX6.2L MPI MerCruiser®  
 (T-320 hp - 239 kW)

**Twin Diesel Stern Drives:**

T-Volvo KAD 44P EDC/DP  
 (T-240 hp - 179 kW)

**GENERATOR OPTIONS**

**Includes Remote Start w/Muffler, Freshwater  
 Cooling, Fuel Filter, Seacock & Seawater  
 Strainer**

120V/60 Cycle  
 4.5 kW Gas  
 220V/50 Cycle (Int'l)  
 3.8 kW Gas  
 120V/60 Cycle  
 5.0 kW Diesel  
 220V/50 Cycle (Int'l)  
 4.0 kW Diesel

*(Generator manufacturer and size may vary due  
 to product availability.)*

**RAYMARINE ELECTRONICS OPTIONS**

Chartplotter, 7" Monochrome LCD  
 (Raymarine RC520 Plus)  
 Radar, RL70CRC Plus w/Built-In Raychart & GPS  
 (7" Color LCD w/2 kW Closed Dome)  
 Raymarine Electronics Package (Includes: Raymarine  
 RayNav 300 GPS & Tridata ST-60)

**INDIVIDUAL OPTIONS**

Bow Thruster  
 Canvas, Black (in lieu of Std. Colors)  
 Canvas, Cockpit Cover w/Canvas Storage Bag  
 Freshwater Cooling (Gas V-Drives Only)  
 Gel-Coated Dash - Tan  
 Gray Water System  
 Macerator w/Seacock Interlock System  
 Refrigerator, Cockpit - Dual-Voltage (120V/12V)  
 Spotlight, 5" Remote-Controlled  
 Stereo Remote Control - Additional Unit on Transom  
 Sun Pad w/Stainless Steel Deck Runners -  
 Forward Deck  
 Systems Monitor Panel, Digital LCD - for Engine  
 Diagnostics & Pump Monitoring  
 Windshield w/Stainless Steel Frame

Storage Cradle  
 CE Option

VR

For a virtual reality  
 tour of this boat visit  
[www.searay.com](http://www.searay.com)

NOTE: Boats which are ordered with 220V/50 Cycle Electrical Systems will be installed with the appropriate appliances in the corresponding voltage.





## 320 Sundancer

2003

## Features and Standard Equipment

**HULL & DECK FEATURES**

Bottom Paint  
Bow & Stern Eyes, Stainless Steel  
Bow Rail, Stainless Steel w/Welded Stanchions  
Cleats, 8" Thru-Bolted - Stainless Steel (8)  
Color Schemes (Blue, Green, Black/Gold)  
Deck Fill Plates, Stainless Steel  
Drain Plug, Brass-Threaded - Garboard  
Gel-Coat, Arctic White  
Graphics, Striping  
Handrails, Stainless Steel - Sport Spoiler (2)  
Handrails, Stainless Steel - Transom (2)  
Handrails, Stainless Steel - Windshield (2)  
Hatch, Deck Vent - Translucent w/Locks & Sky Screen Cover (20x20)  
Light, Stern  
Lights, Navigation - Stainless Steel  
Portlights, Stainless Steel (4 Opening)  
Resin, High-Performance Vinyl Ester  
Rub Rail, PVC w/Stainless Steel Insert  
Shrink Wrap  
Skylights, Circular - Salon (2)  
Storage, Transom Wall - Fenders & Gear  
Swim Platform, Extended  
w/Concealed Stainless Steel Three-Step  
Swim Ladder w/Integral Grab Handle  
Thru-Hull Fittings, Color-Coordinated  
Toe Rail, Molded Fiberglass - Deck  
Vent System, Engine Room - Integral  
Windshield, Tempered/Tinted Curved Glass  
w/Electric Front Vent & Stainless Steel Supports  
Windshield Wipers

**Canvas (Sunbrella®):**

Aft Curtain  
Aft Sunshade  
Bimini Top w/Boot & Vertical Storage  
Canvas Storage Bag  
Front Curtains  
Side Curtains

**Windlass System:**

Anchor, Galvanized  
Anchor Chute, Stainless Steel  
Anchor Rope/Chain Storage w/Hatch  
Windlass, Rope/Chain w/Foot Switches  
(Lofrans Progress I)

**Certifications:**

Meets Applicable USCG & ABYC Standards  
NMMA Certification

**COCKPIT FEATURES**

Beverage Holders (7)  
Carpet Liner, Snap-In  
Door, Cabin Entry (Sliding & Lockable) - Acrylic  
Door, Transom - Acrylic  
Floor Liner, Fiberglass - Self-Balling  
Hatch, Engine Room - Electrically Actuated  
Ice Chest, Insulated - Built-In  
Lighting, Indirect  
Outlet, 12V Accessory  
Outlet, 120V GFI Protected  
Seating, Curved Lounger  
w/Fiberglass Storage Base - Port  
Seating, Helm/Companion w/Dual Flip-Up  
Thigh-Rise Bolsters, Slider (on Helm Only) & Fiberglass Storage Base  
Seating, U-Shaped - Aft  
w/Fiberglass Storage Base  
Sport Spoiler, Molded Fiberglass (Seamless)  
w/Overhead Lighting  
Steps, Boarding - Molded-In  
Storage, Side Panels  
Table, Cockpit w/Sun Pad Filler Cushions  
Wet Bar w/Corian® Countertop, Sink, Faucet, Stainless Steel Handrail & Storage Below

**CABIN FEATURES**

Carbon Monoxide Monitor  
Carpet, Deep-Pile BCF - 44-Ounce  
Carpet Runners, Interior (Sunbrella®)  
Lighting, 12V  
Outlet, 12V Accessory  
Outlet, Phone  
Outlets, 120V GFI Protected  
Pillows, Accent  
Stereo, 12V AM/FM Single CD w/6-Disc  
CD Changer, Amplifier, Speakers (6), Digital  
Cockpit Remote Control & Speaker Selector  
Switches (Clarion®)  
Storage, In-Floor  
TV/VCR Combo, 13" (Dual-Voltage - 120V/12V)  
w/Remote, Coax Outlet & Gain Control Panel  
Wood Interior Package - Cherry Wood  
Formica® Cabinets

**Salon/Dinette:**

Filler Cushions  
Lighting, Dual-Voltage - 120V/12V  
Mirrors, Accent  
Seating, Crescent-Shaped Sofa w/Storage Below -  
Converts to Bed  
Storage, Gunwale Cabinets  
Table, Dinette w/Corian® Surface & Designated Storage

**Galley:**

Countertop, Molded Fiberglass  
w/Granite-Colored Gel-Coat, Sink, Faucet & Corian® Sink Cover  
Handrail, Stainless Steel  
Lighting, Dual-Voltage - 120V/12V  
Microwave, 120V  
Power Vent, 12V  
Refrigerator, Dual-Voltage - 120V/12V  
Storage, Drawers w/Cutlery Insert  
Storage, Upper & Lower w/Designated Plate & Glass Storage  
Stove, 120V Recessed Two-Burner  
w/Corian® Cover  
Trash Receptacle

**V-Berth:**

Berth, Double (Island-Style) w/Storage Below  
Curtain, Privacy  
Hanging Locker  
Mirrored Rope Locker Bulkhead  
Storage, Gunwale Cabinets

**Mid-Stateroom:**

Curtain, Privacy  
Mirrored Bulkhead  
Seating, Conversation Pit - Converts to Double Berth  
w/Slide-Out Base  
Storage, Cabinet

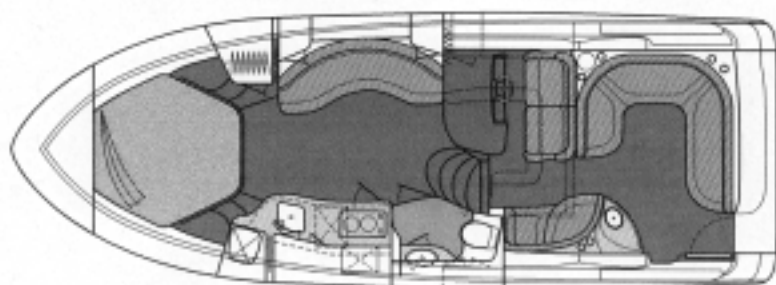
**Head:**

Handrail, Stainless Steel  
Head (VacuFlush®)  
Head, Enclosed - Full Fiberglass  
w/Shower & Curtain  
Mirror  
Power Vent, 12V  
Storage, Medicine Cabinet w/Mirrored Door  
Vanity w/Sink, Faucet & Storage Below

**TECHNICAL****Control Station:**

Alarm, High-Water - Bilge  
Alarms, Engine - Oil & Water (Audible)  
Compass  
Emergency Start System - Engines  
Horn  
Instrumentation, Custom Sea Ray® Backlit 5"  
Multifunction Gauges w/Waterproof Connections  
& Low-Glare Blue Night Lighting (Includes: Fuel,  
Oil Pressure, Tachometer w/LCD Hourmeter, Trim,  
Voltmeter, Water Temperature)  
Panel, Instrument - High-Gloss Burl  
Shift & Throttle Controls w/Gold Knobs  
Steering, Hydraulic (V-Drives Only)  
Steering, Power-Assisted (Stern Drives Only)  
Steering, Tilt Wheel  
Steering Wheel, Wood-Accent  
Switch Pads, Illuminated Waterproof Electronic  
w/ISO Symbols & Dimmer Control  
Tilt & Trim, Power (Stern Drives Only)

NOTE: Boats which are ordered with 220V/50 Cycle Electrical Systems will be installed with the appropriate appliances in the corresponding voltage.

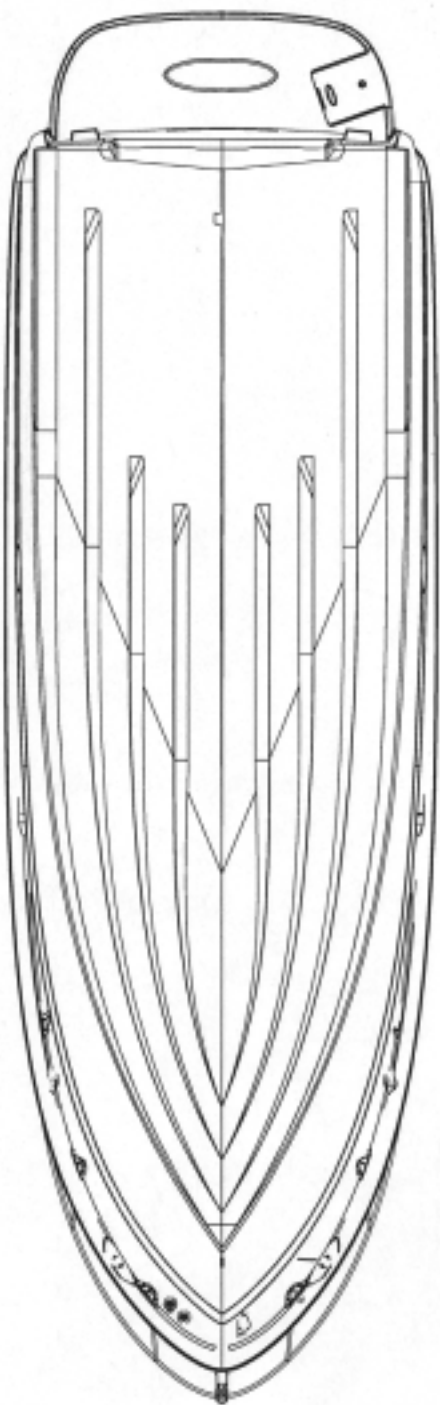
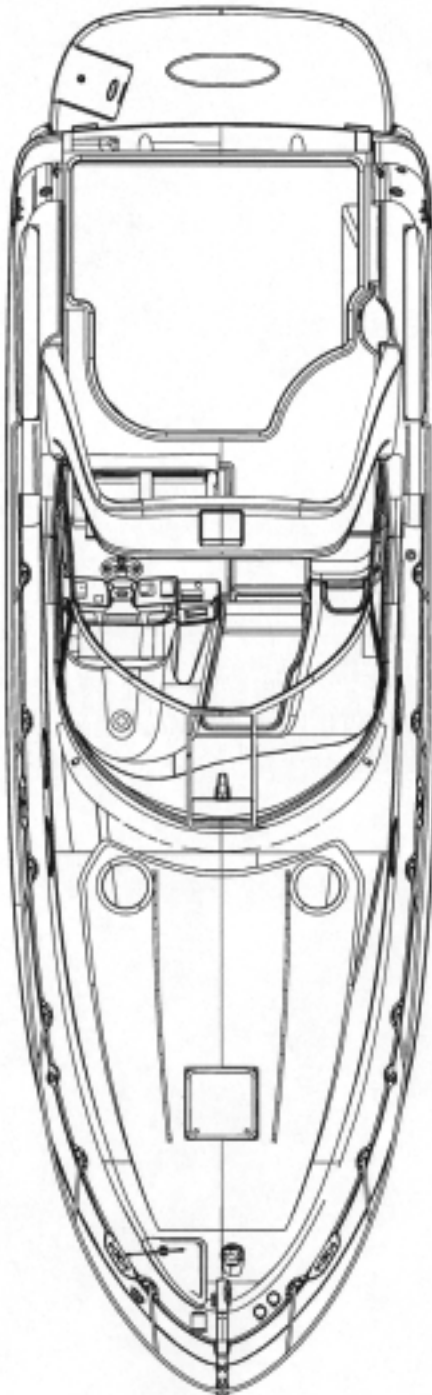


Cabin/Cockpit Layout



THIS DRAWING IS THE PROPERTY OF SEA RAY BOATS, INC. ALL RIGHTS ARE RESERVED. THIS DRAWING AND INFORMATION CONTAINED HEREIN MAY NOT BE COPIED OR DISCLOSED TO OTHERS WITHOUT THE WRITTEN PERMISSION OF SEA RAY BOATS, INC.

NOTES	REVISED BY	DATE	EDN REV. NO.	CURRENT EDN NO.



	
PWB TITLE PLANT REV. NO./DATE PLANT APPROVAL BY PLANT EDN NO.	COPYRIGHT DRAWINGS
CHECKED BY/ DATE APPROVED BY/ DATE UNDESIGNED DRAWING, CAD FILE IN UNDESIGNED B71 MODEL, YEAR-MODEL.	MODEL 320DA 2002 DRAWN BY/ DATE DRAWN J. SAUNDERS INITIAL RELEASE EDN NO.
DRAWING NO. 131B-02-090 (3 OF 3)	11-13-01