



REGISTRATION NUMBER

DVH 0055

DATE OF REGISTRATION/PUBLICATION

Apr. 19, 2001

Month Day Year

DO NOT WRITE ABOVE THIS LINE. IF YOU NEED MORE SPACE, USE A SEPARATE CONTINUATION SHEET. (Form D-VH/CON)

1

Please give the make and model of the vessel that embodies the design.  
SEA RAY 290 AMBERJACK

TITLE

HULL, COCKPIT, DECK AND CABIN DESIGN FOR SPORT FISHERMAN/CRUISER

2 (a)  
DESIGN (b)

What is the type or style of the design for which registration is sought?

Provide a brief general statement setting forth the salient features of the design.

OPERATOR STATION, SEATING ARRANGEMENTS AND DECK LAYOUT, FISHING ACCESSORIES  
INCORPORATED INTO DECK, CABIN DESIGN.

Check here if this is a single design.

Check here if registering more than one design. Use Form D-VH/CON for additional designs.

(c)

If this design is derived from an earlier design, describe how that design has been revised, adapted, or rearranged.

3

DESIGNER(S)

Provide the name and address of the designer(s). The name of the employer may be given instead of the designer(s) if, (1) the design was made within the regular scope of employment of the designer(s) and (2) the individual authorship of the design is difficult or impossible to ascribe.

Please check here if those conditions are satisfied and you are providing the employer's name.

Name: SEA RAY BOATS  
A DIVISION OF BRUNSWICK CORPORATION Name: \_\_\_\_\_

Address: 2600 SEA RAY BOULEVARD Address: \_\_\_\_\_  
KNOXVILLE, TN 37914

4

OWNER,  
IF NOT  
DESIGNER(S)

If the owner is different from the designer(s) or employer named above, provide the name and address of the owner:

Name: \_\_\_\_\_

Address: \_\_\_\_\_

5

PRIORITY  
CLAIM

(a)

Was an application for registration of this design identified in an application filed in a foreign country that extends to designs of owners who are citizens of the United States, or to persons filing applications in the United States, similar protection to that afforded in 17 U.S.C. chapter 13?

Yes  No

(b)

If yes, identify the country and date of application:

Country: \_\_\_\_\_

Date of application: \_\_\_\_\_

Serial No: \_\_\_\_\_

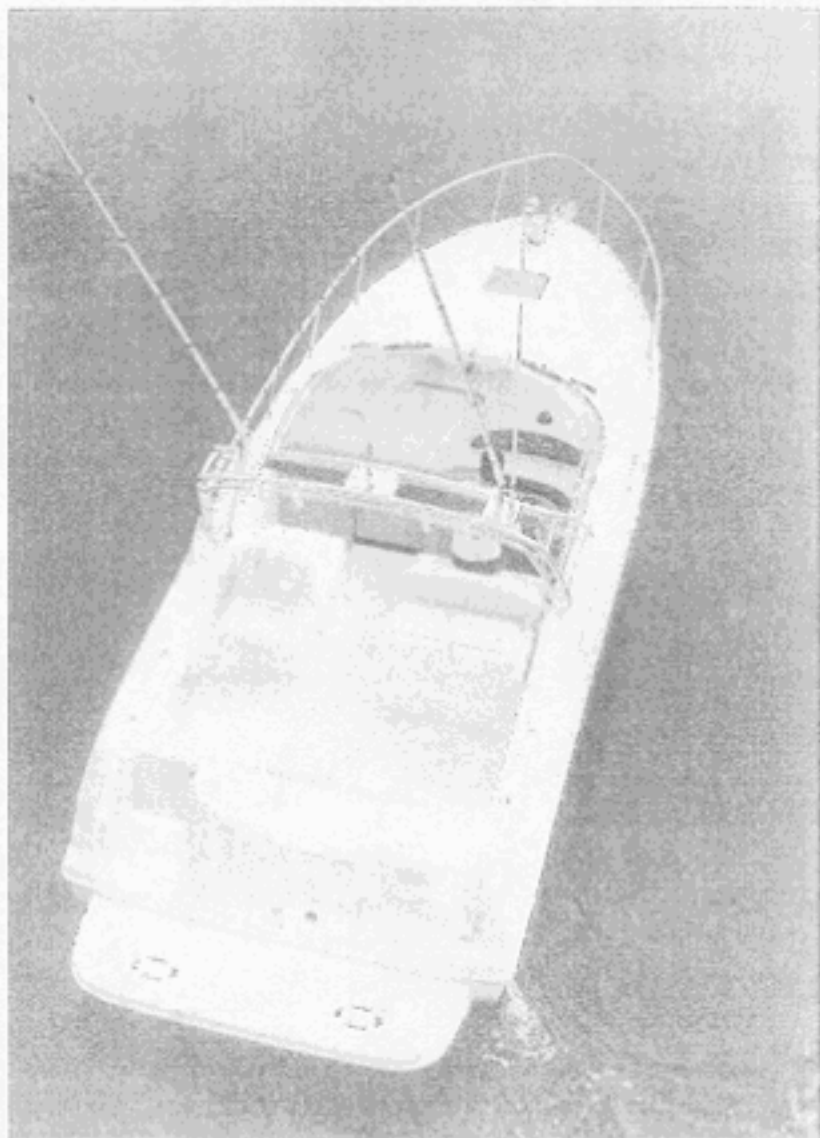
6

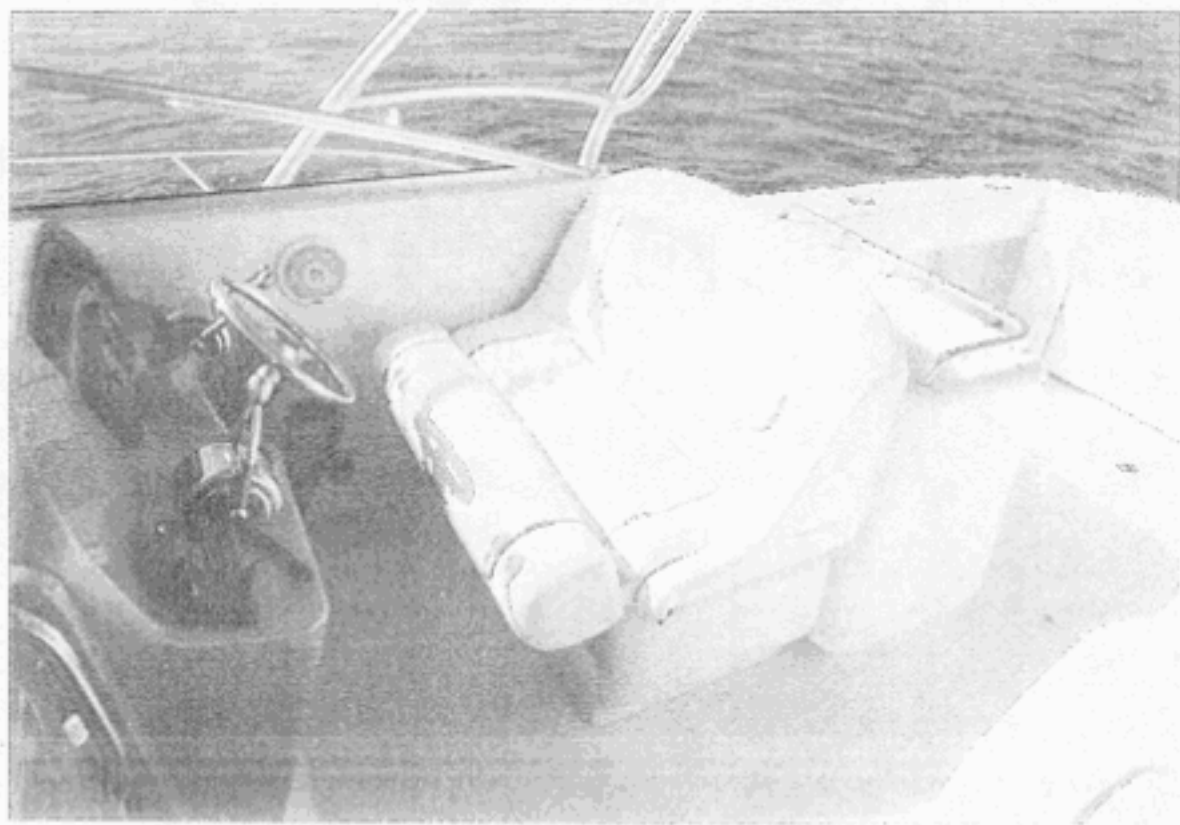
DATE MADE  
PUBLIC

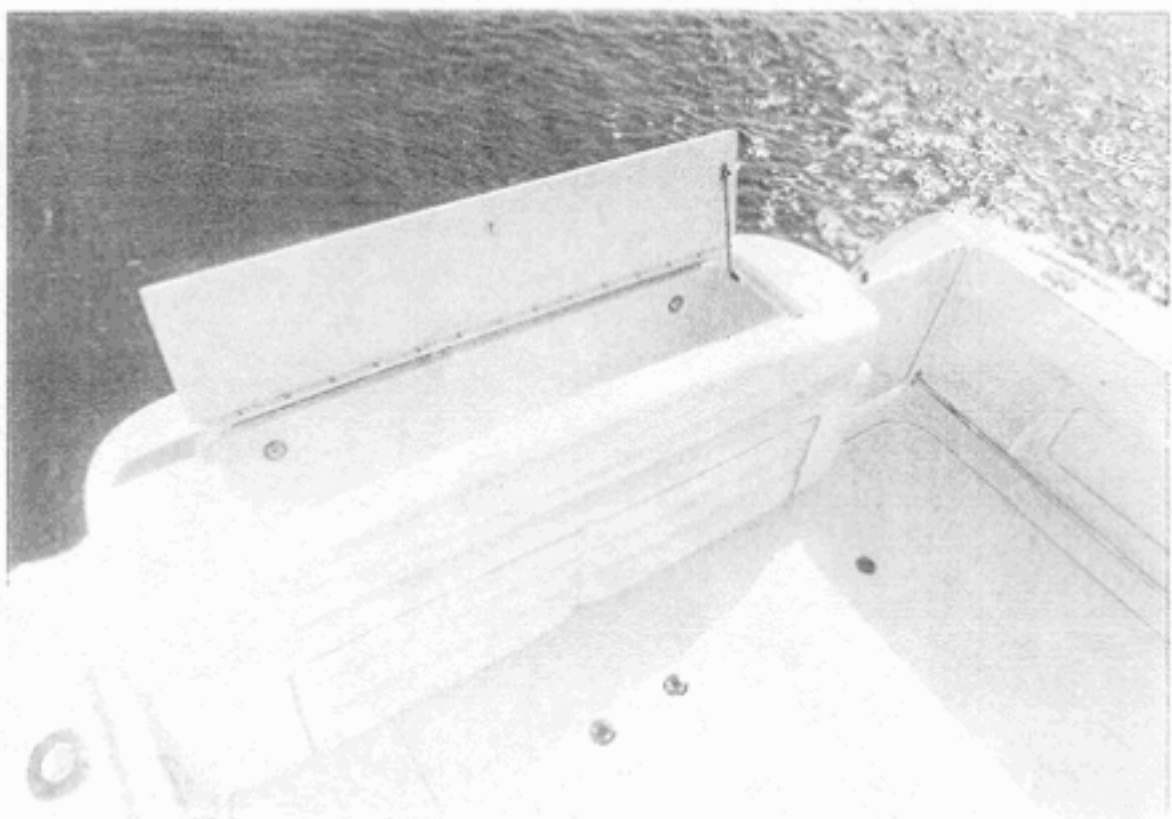
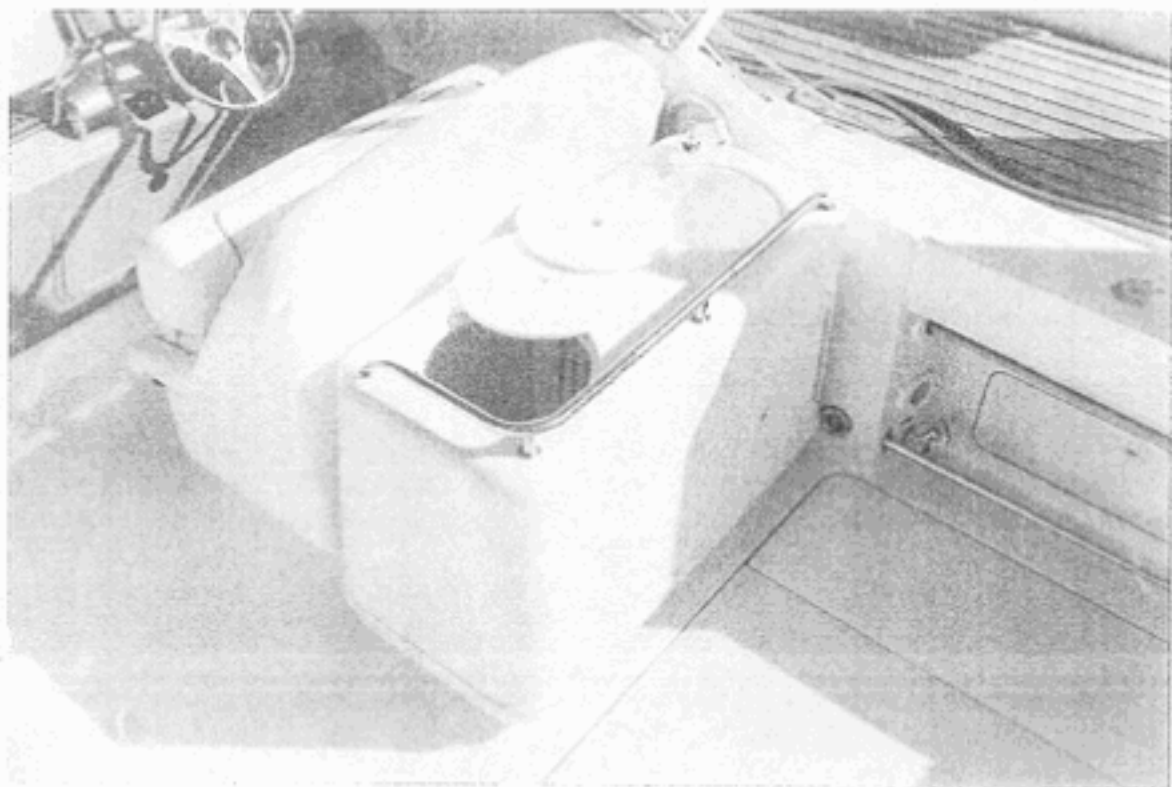
Was this design made public before the date of application?  Yes  No

If yes, on what date? MAY 30, 1999  
Month Day Year

DO NOT WRITE HERE  
OFFICE USE ONLY  
APPLICATION RECEIVED APR 02 2001  
DESIGN COPIES RECEIVED APR 02 2001  
4/2/01  
FUNDS RECEIVED APR 09 2001



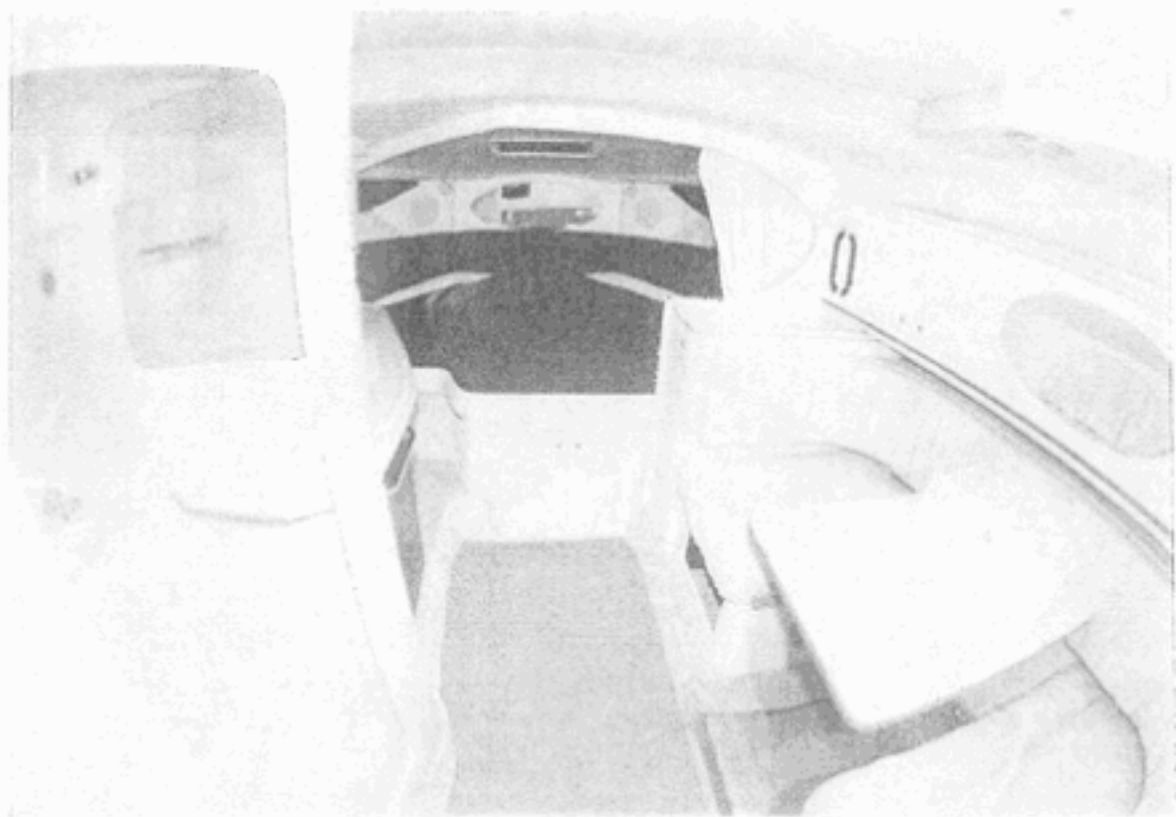




01/18/01

1999 Model Year 290AJ  
Sea Ray Boats, Inc.





01/18/01

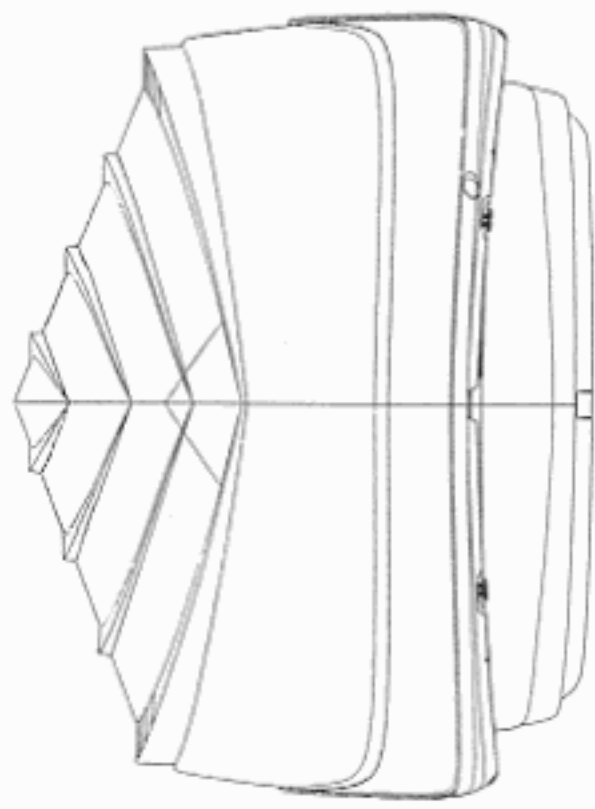
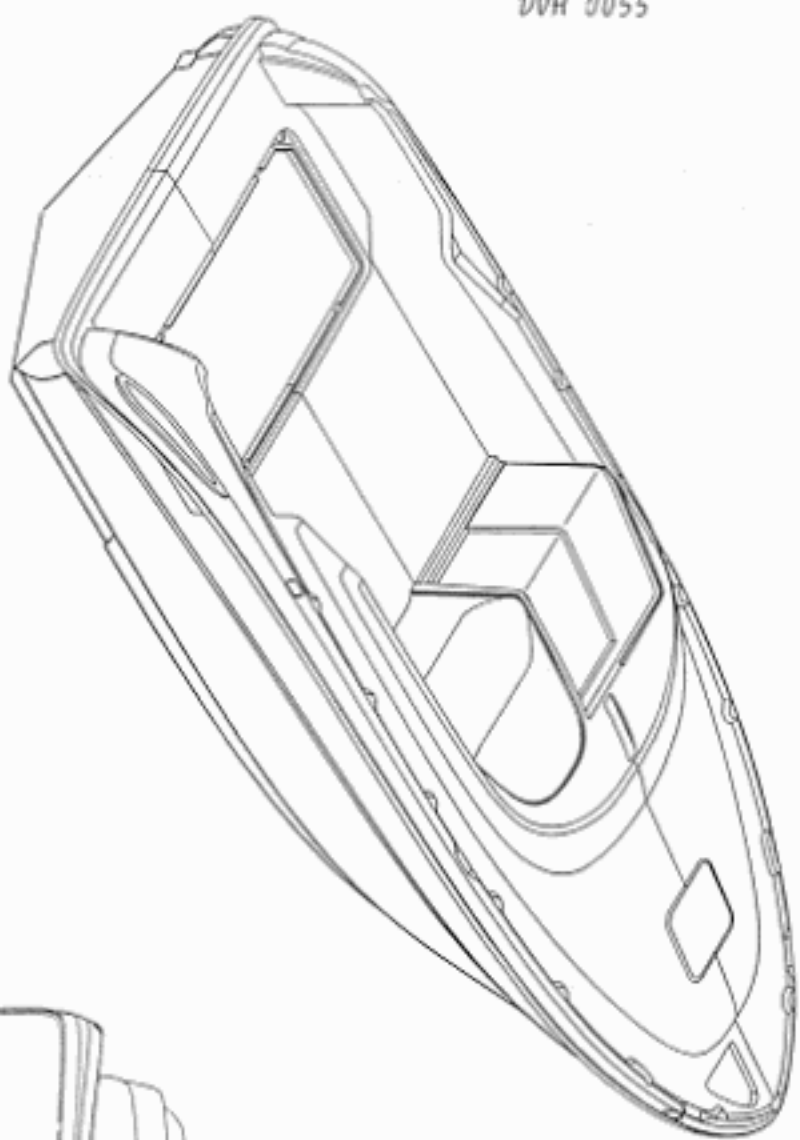
1999 Model Year 290AJ  
Sea Ray Boats, Inc.



THIS DRAWING IS THE PROPERTY OF SEA RAY BOATS, INC., PORTLAND, OREGON. ALL RIGHTS ARE RESERVED. THIS DRAWING AND INFORMATION CONTAINED HEREIN IS NOT TO BE REPRODUCED OR TRANSMITTED IN ANY FORM OR BY ANY MEANS, ELECTRONIC OR MECHANICAL, INCLUDING PHOTOCOPYING, RECORDING, OR BY ANY INFORMATION STORAGE AND RETRIEVAL SYSTEM, WITHOUT THE WRITTEN PERMISSION OF SEA RAY BOATS, INC.

REVISED BY	DATE	ECN NO.	CURRENT ECN NO.
BI			

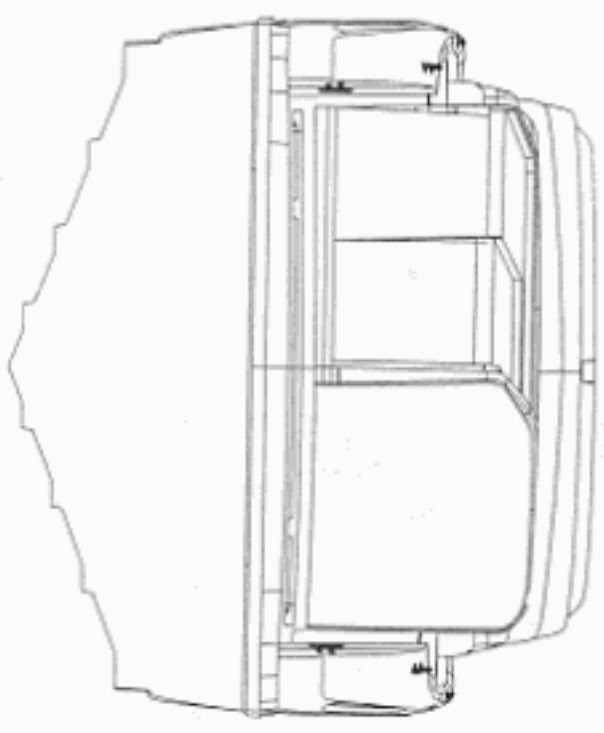
DVH 0055



		SHEET TITLE: <b>COPYRIGHT DRAWINGS</b>	
PRODUCT DEVELOPMENT & ENGINEERING	PLANT NO./DATE PLANT APPROVAL BY	CHECKED BY/ DATE	MODEL: <b>290 AJ</b>
PLANT START NO.	PLANT ECN NO.	APPROVED BY/ DATE	DRAWN BY: <b>R. BRONNER</b> INITIAL RELEASE ECN NO.:
		CAD FILE: <b>290j02090.dwg</b>	DRAWING NO.: <b>01-8-01</b>
			02-090 (1 OF 3)


THIS DRAWING IS THE PROPERTY OF SEA RAY BOATS, INC., FPOA, FLORIDA. ALL RIGHTS ARE RESERVED. THIS DRAWING AND INFORMATION CONTAINED HEREIN MAY NOT BE COPIED OR DISCLOSED TO OTHERS WITHOUT THE WRITTEN PERMISSION OF SEA RAY BOATS, INC.

DVH 0055



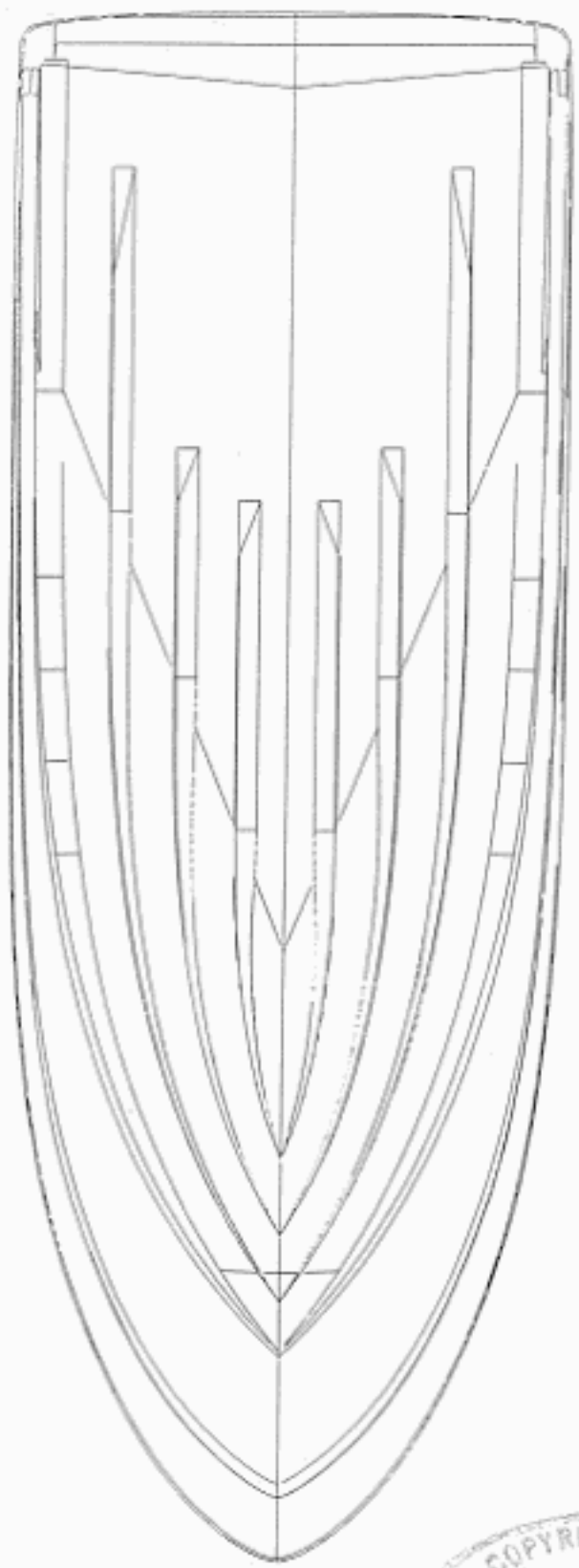
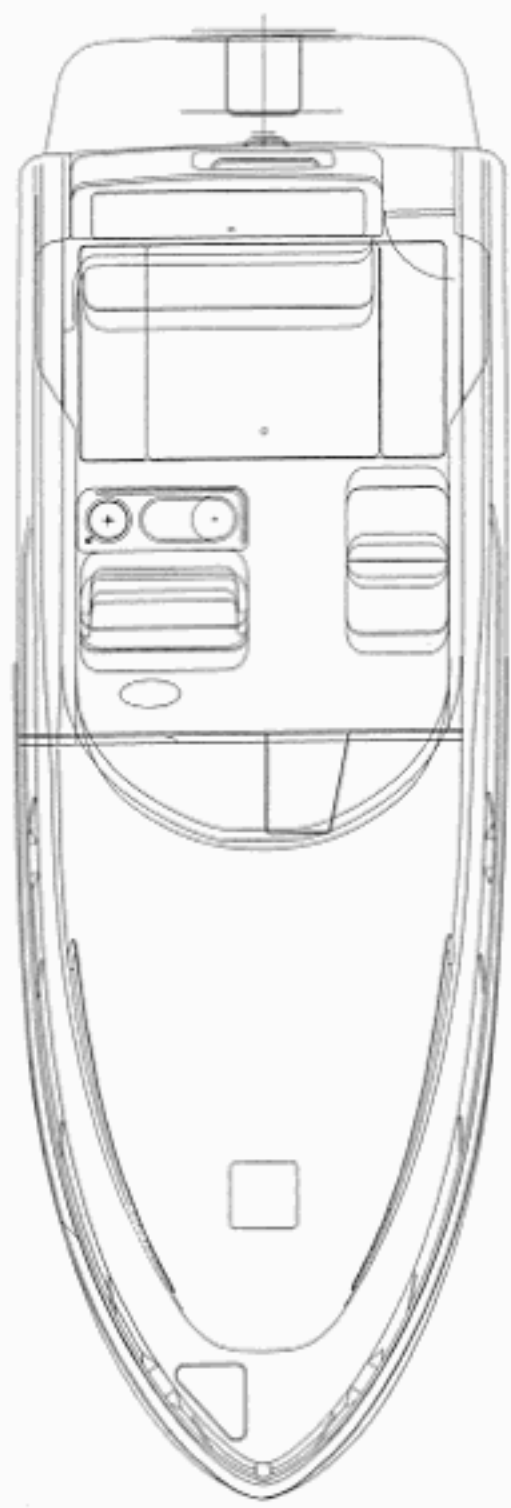
COPYRIGHT OFFICE  
 APR 2 2001  
 LIBRARY OF CONGRESS

REVISED BY	DATE	ECN REV. NO.	CURRENT ECN NO.

		DWG TITLE: COPYRIGHT DRAWINGS		MODEL: 290 AJ	
PLANT DEPARTMENT & ENGINEERING PRODUCT DEVELOPMENT & ENGINEERING PLANT START NO.	DRAWING NO./DATE PLANT APPROVAL BY	CHECKED BY/ DATE	DRAWN BY/ DATE INITIAL RELEASE ECN NO.	PLANT ECN NO.	R. BROUWER 01-8-01
		APPROVED BY/ DATE	290J02090.ems		02-090 (2 OF 3)

THIS DRAWING IS THE PROPERTY OF SEA RAY BOATS, INC., P.O. BOX 10755, MIAMI, FL 33108. ALL RIGHTS ARE RESERVED. THIS DRAWING AND INFORMATION CONTAINED HEREIN IS NOT TO BE REPRODUCED OR TRANSMITTED IN ANY FORM OR BY ANY MEANS, ELECTRONIC OR MECHANICAL, WITHOUT THE WRITTEN PERMISSION OF SEA RAY BOATS, INC.

DVH 0055



COPYRIGHT OFFICE  
 APR 2 2001  
 LIBRARY OF CONGRESS

REVISED BY

DATE

ECN NO.

COMMENT ECN NO.



PRODUCT DEVELOPMENT & ENGINEERING

ONE TITLE COPYRIGHT DRAWINGS

PLANT START NO.	PLANT REC NO.	CHECKED BY/ DATE	APPROVED BY/ DATE
PLANT START NO.	PLANT REC NO.	290102090.dms	

WORLD 290 AJ

DRAWN BY/ DATE: R. BROWER 01-8-01

INITIAL RELEASE ECN NO. DRAWING NO.

02-090 (3 OF 3)