

REGISTRATION NUMBER

DVH 0283

DATE OF REGISTRATION/PUBLICATION

Month 04 Day 04 Year 06

DO NOT WRITE ABOVE THIS LINE. IF YOU NEED MORE SPACE, USE A SEPARATE CONTINUATION SHEET. (Form D-VH/CON)

1 Please give the make and model of the vessel that embodies the design.
Sea-Doo Challenger 180

TITLE

2 (a) What is the type or style of the design for which registration is sought?
Boat

DESIGN (b) Provide a brief general statement setting forth the salient features of the design.
Overall appearance, including deck layout and hull shape and configuration.

Check here if this is a single design.
 Check here if registering more than one design.
Use Form D-VH/CON for additional designs.

(c) If this design is derived from an earlier design, describe how that design has been revised, adapted, or rearranged.

3 Provide the name and address of the designer(s). The name of the employer may be given instead of the designer(s) if, (1) the design was made within the regular scope of employment of the designer(s) and (2) the individual authorship of the design is difficult or impossible to ascribe.

Please check here if those conditions are satisfied and you are providing the employer's name.

DESIGNER(S)

Name: <u>Etienne Guay</u>	Name: <u>Joseph Ellice</u>
Address: <u>187 de L'Ecorce St.</u> <u>Orford, Quebec, Canada</u> <u>J1X 7M7</u>	Address: <u>1438 Durham St., Apt # 2</u> <u>Sherbrooke, Quebec, Canada</u> <u>J1J 1L6</u>

4 If the owner is different from the designer(s) or employer named above, provide the name and address of the owner:

OWNER, IF NOT DESIGNER(S)

Name: BRP US Inc.

Address: 10101 Science Drive
Sturtevant, Wisconsin
53177

5 (a) Was an application for registration of this design identified in an application filed in a foreign country that extends to designs of owners who are citizens of the United States, or to persons filing applications in the United States, similar protection to that afforded in 17 U.S.C. chapter 13?
 Yes No

(b) If yes, identify the country and date of application:
Country: _____
Date of application: _____
Serial No: _____

6 Was this design made public before the date of application? Yes No

If yes, on what date? September 2004
Month Day Year

DATE MADE PUBLIC

DO NOT WRITE HERE OFFICE USE ONLY

APPLICATION RECEIVED NOV 28 2005

DESIGN COPIES RECEIVED NOV 28 2005

FUNDS RECEIVED NOV 28 2005

EXAMINED BY

FORM D-VH

CHECKED BY

CORRESPONDENCE

Yes

FOR
COPYRIGHT
OFFICE
USE
ONLY

DO NOT WRITE ABOVE THIS LINE. IF YOU NEED MORE SPACE, USE A SEPARATE CONTINUATION SHEET. (Form D-VH/CON)

7
CONTACT
PERSON

Please provide the name and address of the person to whom correspondence regarding this application may be directed:

Name: Jonathan D. Cutler

Address: P.O. Box 230, Norton, Vermont

05907-0230

Email address ip@brp.com

FAX number (514) 732-7058

Daytime phone: (514) 732-7050

8
DEPOSIT
ACCOUNT

Give the name and account number if the registration fee is to be charged to a Deposit Account established in the Copyright Office:

Name of Account:

Account number:

9
CERTIFICATION AND
SWORN STATEMENTS

DECLARATION: The undersigned, as the applicant or the applicant's duly appointed agent or representative, being hereby warned that willful false statements are punishable by fine or imprisonment, or both, under 18 U.S.C. §1001, and that such willful false statements may jeopardize the validity of this application or any resulting registration, hereby declares to the best of his or her knowledge and belief:

- (1) that the design has been fixed in a useful article;
- (2) that the design is original and was created by the designer(s), or employer if applicable, named in the application;
- (3) that those aspects of the design for which registration is sought are not protected by a design patent;
- (4) that the design has not previously been registered on behalf of the applicant or applicant's predecessor in title; and
- (5) that the applicant is the person entitled to protection and to registration under chapter 13 of title 17, United States Code.

Complete if applicable:

The design has been made public with a design notice as prescribed by 17 U.S.C. §1306.

Following is the exact form of the design notice:

© & © 2000-2004 Bombardier Recreational Products Inc., all rights reserved

Where on the useful article is the design notice located?

Transom

If the undersigned is not the agent, he or she is properly authorized to execute this application on behalf of the applicant.



Signature

Jonathan D. Cutler

Print or type name

(514) 732-7050

Telephone number

(514) 732-7058

FAX number

Date

Oct 20, 2005
Director, Intellectual Property

Position or Title

ip@brp.com

Email address

Copyright Office fees are subject to change. For current fees, check the Copyright Office website at www.copyright.gov, write the Copyright Office, or call (202) 707-3000.

Certificate will be mailed in window envelope to this address:

Name ▼	Jonathan D. Cutler, Bombardier Recreational Products Inc.
Number/Street/Apt ▼	P.O. Box 230
City/State/ZIP ▼	Norton, Vermont, 05907-0230

YOU MUST:

- Complete all necessary spaces
- Sign your application in space 9

SEND ALL 3 ELEMENTS IN THE SAME PACKAGE:

1. Application form
2. Nonrefundable filing fee in check or money order payable to Register of Copyrights
3. Design material

MAIL TO:

Dept. D-VH
Vessel Hull Registration
P.O. Box 71380
Washington, D.C. 20024-1380

17 U.S.C. §1327. Penalty for false representation. "Whoever knowingly makes a false representation materially affecting the rights obtainable under this chapter for the purpose of obtaining registration of a design under this chapter shall pay a penalty of not less than \$500 and not more than \$1,000, and any rights or privileges that individual may have in the design under this chapter shall be forfeited."

REGISTRATION NUMBER

DVH 0283

DATE OF REGISTRATION/PUBLICATION

04 04 06

CONTINUATION SHEET RECEIVED

11 28 05

DO NOT WRITE ABOVE THIS LINE. FOR COPYRIGHT OFFICE USE ONLY.

- Check here if using for multiple designs. Fill in Space A ONLY with new information regarding additional designs. All other information must be identical to the information on the corresponding Form D-VH/CON for each design included in the registration.
Designs of _____ designs
- Check here if you are using the continuation sheet for supplemental information regarding the original design.

Identification of Application **IDENTIFICATION OF CONTINUATION SHEET:** This is a continuation of the application for copyright registration on Form D-VH. Identify the title of the work as it appears in Space 1 (i.e., make and model of the vessel) of Form D-VH:

Sea-Doo Challenger 180
.....

A

(2a) What is the type or style of the design for which registration is sought?

.....
.....
.....

Continuation of Space 2

(2b) Provide a brief general statement setting forth the salient features of the design.

.....
.....
.....
.....

(2c) If this design is derived from an earlier design, explain how that design has been revised, adapted, or rearranged.

.....
.....
.....
.....
.....

B

Continuation
of Spaces
Other than
Space 2

Name: Steve Tetrault
Address: 1793 De Fontainebleau St., Suite # 1
Fleurimont, Quebec, Canada
J1G 5A5

Name: Andre Cote
Address: 32 d'Auvergne St.
Longueuil, Quebec, Canada
J4H 3T7

MAIL
TO

Certificate
will be
mailed in
window
envelope

Name ▼	
Jonathan D. Outler, Bombardier Recreational Products Inc.	
Number/Street/Apt ▼	
P.O. Box 230	
City/State/ZIP ▼	
Norton, Vermont,	05907-0230

YOU MUST:
• Complete all necessary spaces

**SEND ALL ELEMENTS
IN THE SAME PACKAGE:**

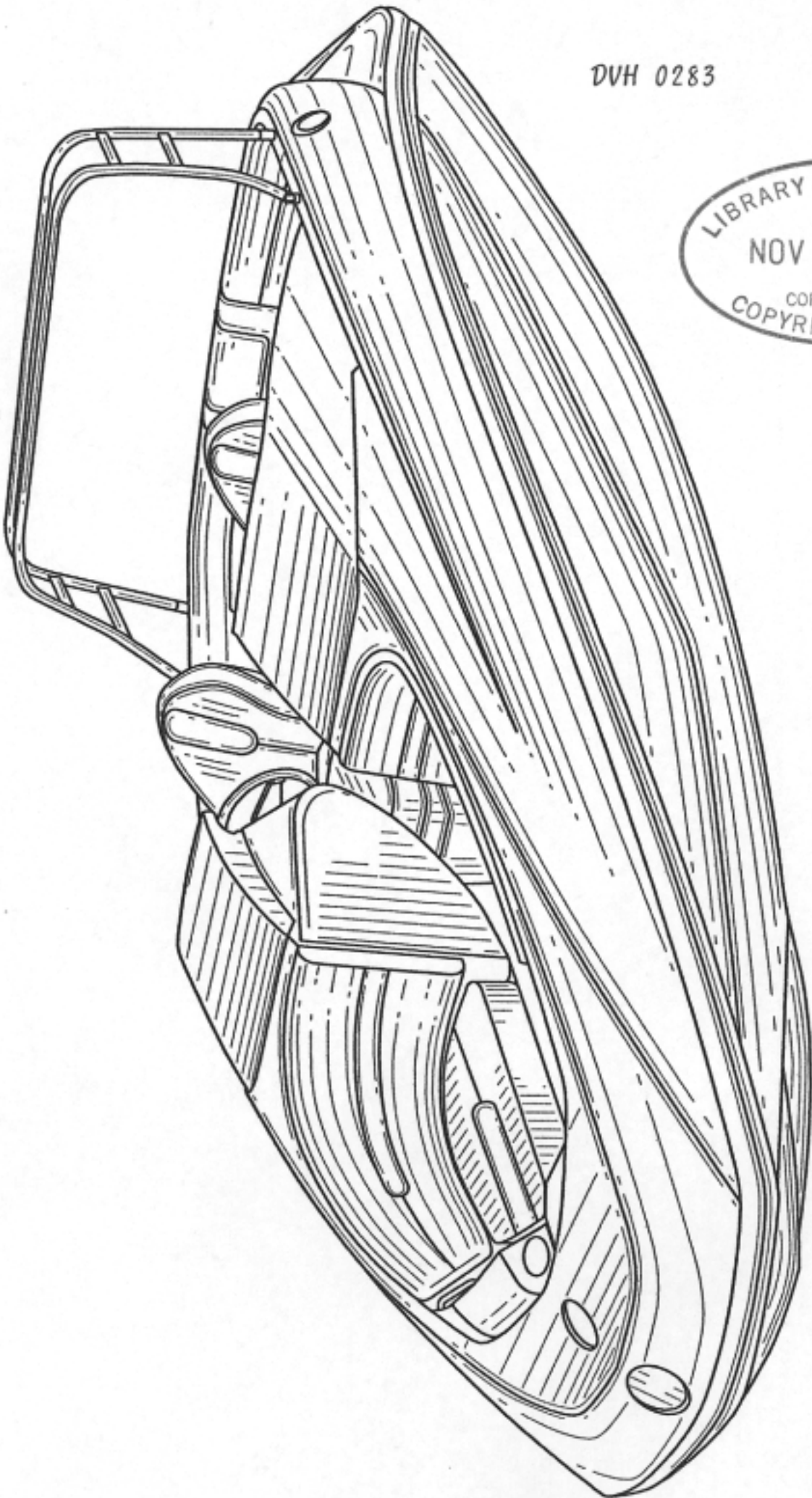
1. Application form
2. Nonrefundable filing fee in check or money order payable to Register of Copyrights

MAIL TO:
Dept D-VH
Vessel Hull Registration
P.O. Box 71380
Washington, D.C. 20024-1380

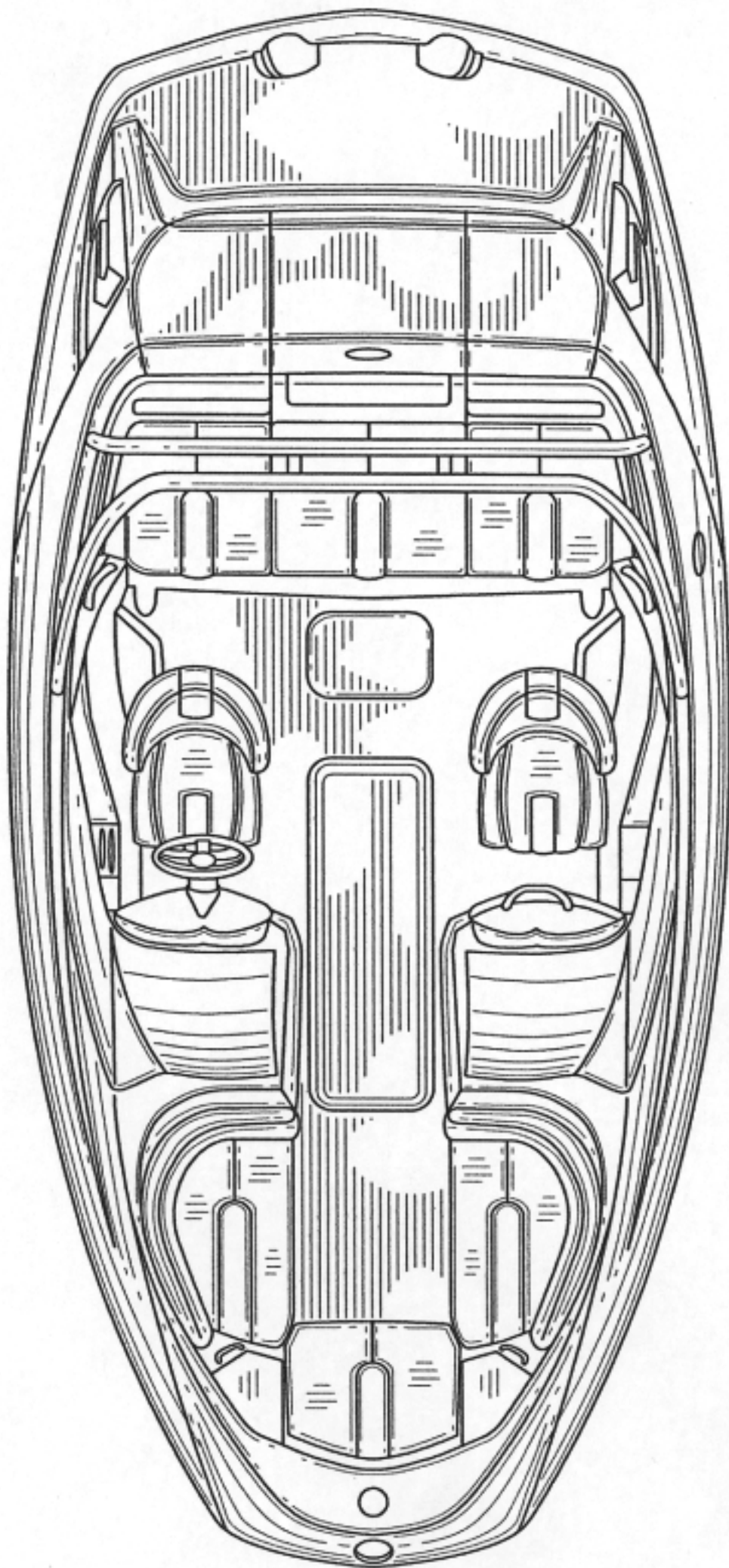
C

Address for
return of
certificate

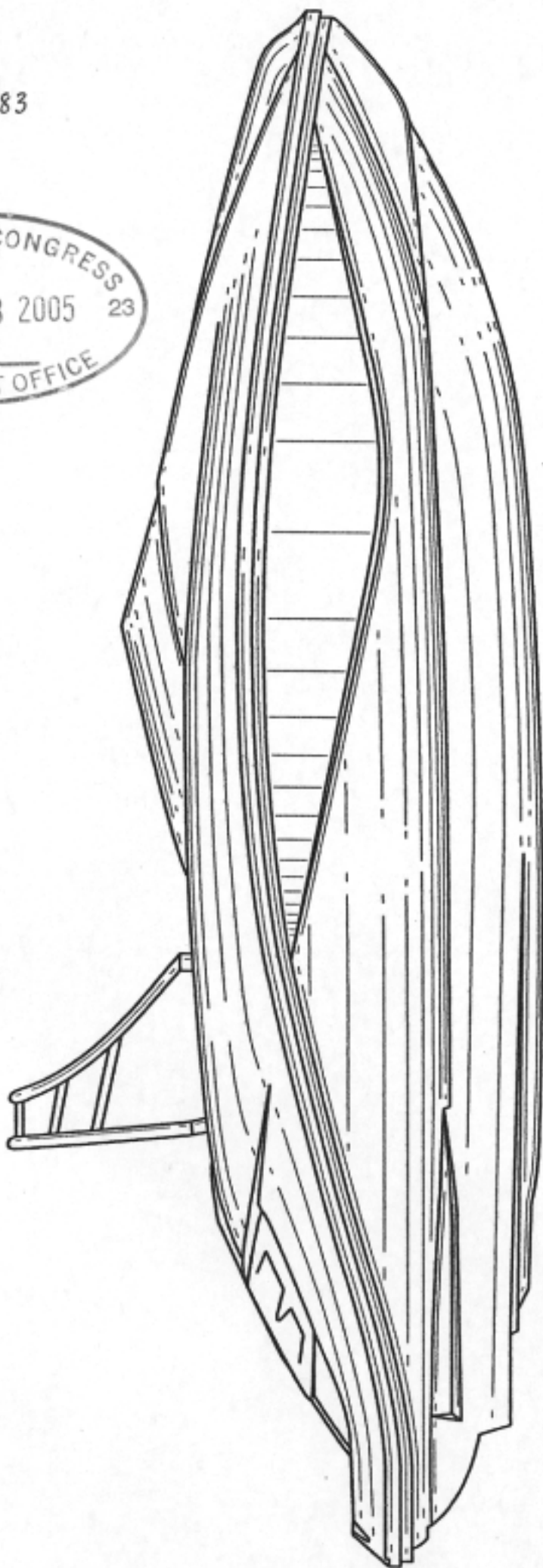
DVH 0283



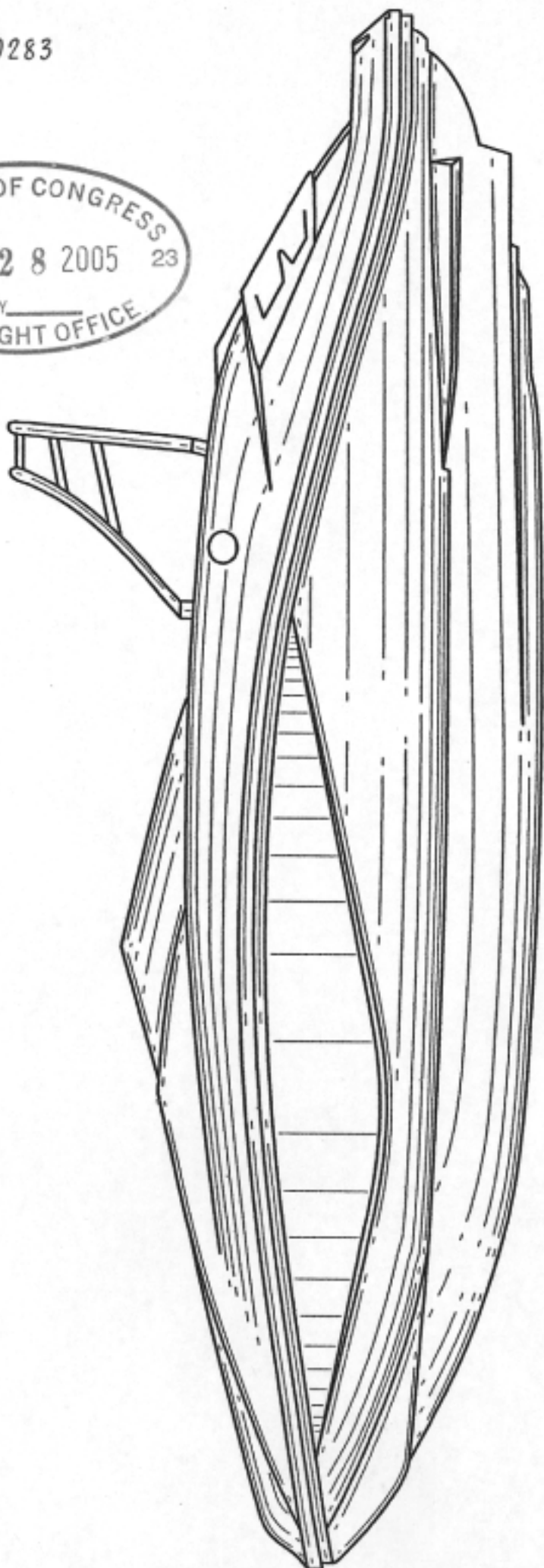
DVH 0283



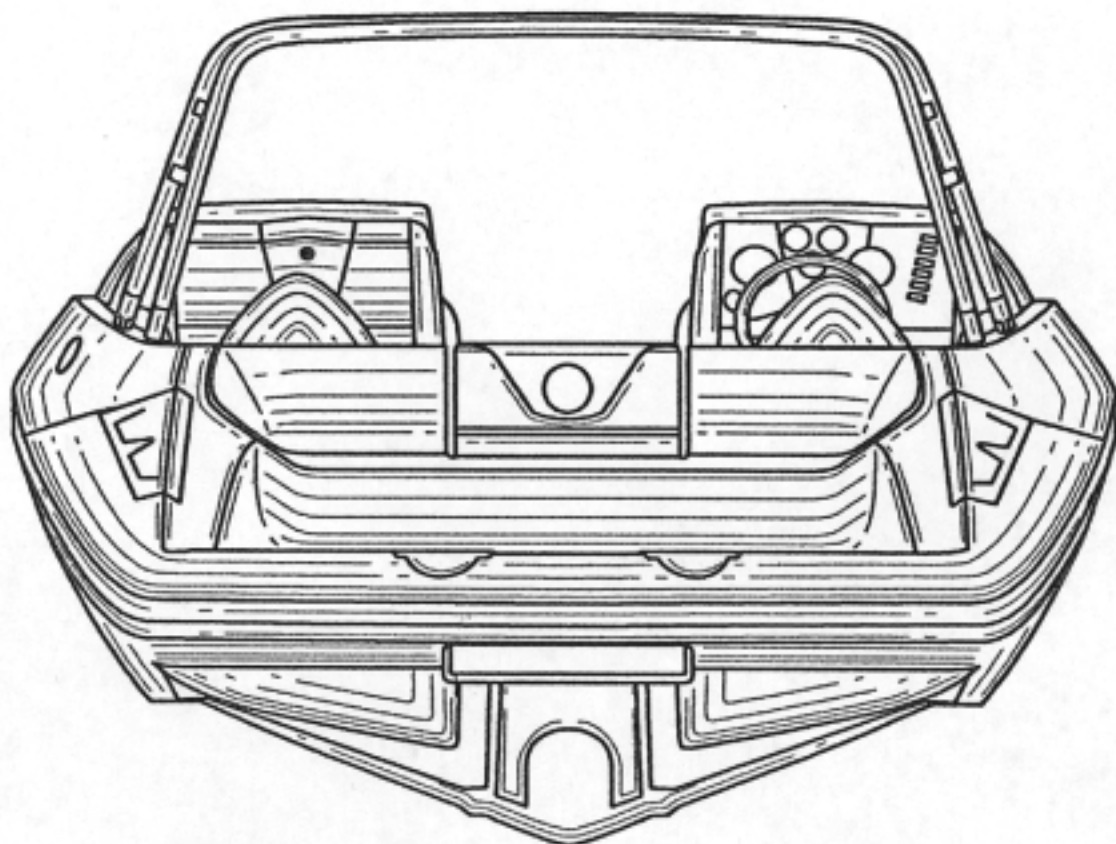
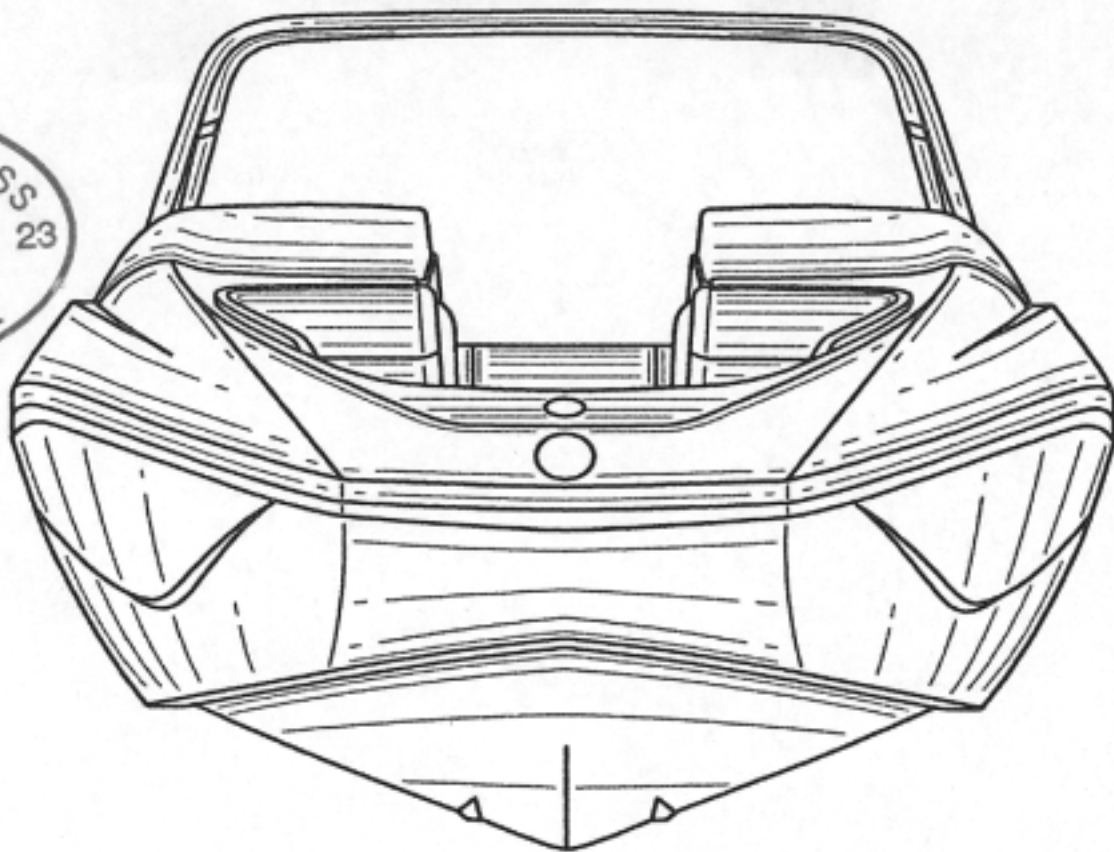
DVH 0283



DVH 0283



DVH 0283



DVH 0283

LIBRARY OF CONGRESS
NOV 28 2005 23
COPYRIGHT OFFICE

