



DVH 0188

DATE OF REGISTRATION/PUBLICATION

Month 02 Day 27 Year 04

DO NOT WRITE ABOVE THIS LINE. IF YOU NEED MORE SPACE, USE A SEPARATE CONTINUATION SHEET. (Form D-VH/CON)

1
TITLE

Please give the make and model of the vessel that embodies the design.
SEA RAY 290 SUN SPORT - SPORT CRUISER/CLOSED BOW

2
DESIGN

(a) What is the type or style of the design for which registration is sought?
SPORT CRUISER HULL, DECK, COCKPIT, ARCH DESIGN, AND V-BERTH.

(b) Provide a brief general statement setting forth the salient features of the design.
~~CONSOLE, SEATING ARRANGEMENTS, CABIN DESIGN AND V-BERTH, GALLERY, HULL DESIGN AND ARCH.~~

Check here if this is a single design.
 Check here if registering more than one design. Use Form D-VH/CON for additional designs.

DECK DESIGN. AMENDED 11/25/04*
AND INTEGRALLY FORMED CONSOLES.

(c) If this design is derived from an earlier design, describe how that design has been revised, adapted, or rearranged.
NEW MODEL, IMPROVED AND REVISED FEATURES, ADDED DESIGNS AND UNIQUE STYLING.

3
DESIGNER(S)

Provide the name and address of the designer(s). The name of the employer may be given instead of the designer(s) if, (1) the design was made within the regular scope of employment of the designer(s) and (2) the individual authorship of the design is difficult or impossible to ascribe.

Please check here if those conditions are satisfied and you are providing the employer's name.
SEA RAY BOATS
Name: A DIVISION OF BRUNSWICK CORPORATION
Address: 2600 SEA RAY BOULEVARD
KNOXVILLE, TN 37914

4
OWNER, IF NOT DESIGNER(S)

If the owner is different from the designer(s) or employer named above, provide the name and address of the owner:

Name: N/A
Address:

5
PRIORITY CLAIM

(a) Was an application for registration of this design identified in an application filed in a foreign country that extends to designs of owners who are citizens of the United States, or to persons filing applications in the United States, similar protection to that afforded in 17 U.S.C. chapter 13?
 Yes No

(b) If yes, identify the country and date of application:
Country: _____
Date of application: _____
Serial No: NOV 26, 2003

6
DATE MADE PUBLIC

Was this design made public before the date of application? Yes No
If yes, on what date? OCTOBER 20, 2001
Month Day Year

DO NOT WRITE HERE OFFICE USE ONLY
APPLICATION RECEIVED SEP 22 2003
DESIGN COPIES RECEIVED SEP 22 2003
FUNDS RECEIVED SEP 22 2003

290 Sun Sport®

2003

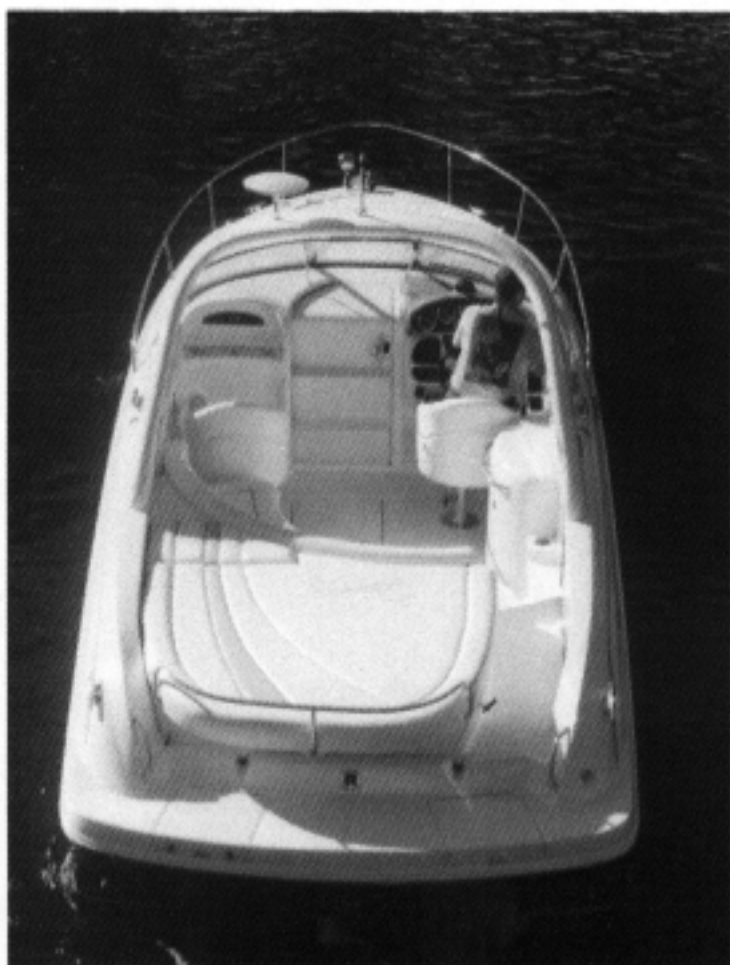
**FEATURES**

- Two available cockpit seating plans.
- Cockpit entertainment center with cooler, wet bar, trash receptacle and bottle storage.
- Large aft sun pad with storage below.
- Standard stainless steel windshield.
- Waterproof switch pads and breaker panels.

SEA RAY SPORT CRUISERS 2003**290 SUN SPORT®**

Overall length	29' 6"	8.99 m
Beam	9' 8"	2.95 m
Draft		
(Stern drive down)	40"	101.6 cm
(Stern drive up)	25"	63.5 cm
(Twin stern drive down)	37"	94.0 cm
(Twin stern drive up)	26"	66.0 cm
Dry weight	8,300 lbs	3,765 kg
Fuel capacity	130 gal	492.1 L
Water capacity	24 gal	90.8 L
Holding tank	20 gal	75.7 L
Dead rise	21°	21°





09/20/02

2001 Model Year 290SS
Sea Ray Boats, Inc.

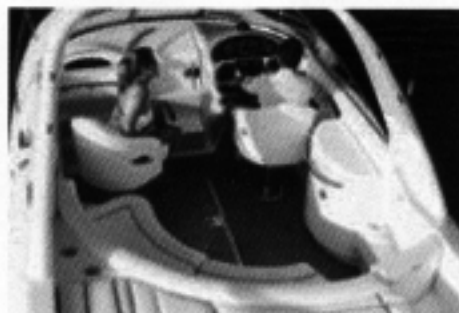


290 Sun Sport

2003



The 290 Sun Sport's huge, cushioned lounging area is large enough that you can actually loll around on it. For a swim, just hop over the stainless steel stern rail and onto the swim platform. The optional sport spoiler with overhead lighting is the perfect place for electronic accessories.



The cockpit wet bar accelerates conversation. The huge lighted storage area in the cockpit sole has a gas-assisted hatch that enables you quickly and easily to reach skis, kneeboards, wakeboards and other bulky items that are necessary to those who possess the water gene.



You'll find custom instrumentation, waterproof, soft-touch switch panels, and everything else you need for optimum navigation close at hand — easy to read and easy to reach. The lockable sliding cabin door has convenient integral steps for quick access to the foredeck.

When you combine day cruising, water sports, entertaining and overnighting all in one boat, you come up with the 290 Sun Sport. It's more fun than a barrel of kneeboarders! A wide 9' 8" beam, lots of cockpit space and a spacious cabin make this boat perfect for a day — and a night — on the water. A powerful MX6.2L MPI Bravo® III MerCruiser® stern drive makes every trip a smooth one.



Head for the galley when you want to make short work of snacks and light meals. It features cherry wood Formica® cabinets, dual-voltage refrigerator, molded fiberglass counter with sink and faucet, and optional microwave.



The V-berth is a nice place to sit and have a visit. Add the table and it turns into a dinette. Or filler cushions convert it to a double berth.

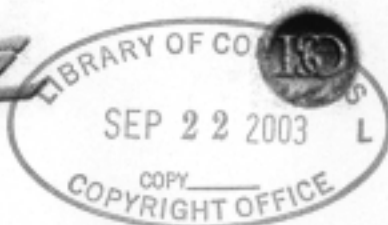


The starboard fiberglass head compartment is fitted with a VacuFlush® head system, as well as a vanity with sink, faucet and pullout sprayer.

Sea Ray Boats, Inc., 2600 Sea Ray Blvd., Knoxville, TN 37914. For information call 1-800-SRBOATS or fax 1-865-213-7878. Internet address: <http://www.searay.com>

Note: Not all accessories shown in pictures or described herein are standard equipment or even available as options. Options and features are subject to change without notice.

Not all model year boats may contain all the features or meet the specifications described herein. Confirm availability of all accessories and equipment with an authorized Sea Ray dealer prior to purchase. Printed in the U.S.A. August 2002 © Sea Ray Boats, Inc. MRP#1691435



Electrical Systems:

Battery Switch, Dual
 Battery Trays w/Mounts
 Breaker Panels, Waterproof -
 Electronic Interface Modules
 (Helm & Engine Room)
 Panel, DC Main Breaker
 Wiring, Color-Coded w/Chafe Protection

Engine Compartment:

Bilge Pump, 12V Automatic High-Water
 Bilge Pumps, 12V Automatic
 (1 Bilge, 1 Cabin, 1 Cockpit)
 Blowers, 12V Bilge (2)
 Filter, Oil - Remote
 Fire Suppression System - Automatic
 w/Manual Pull
 Gel-Coated Engine Compartment
 Insulated Engine Compartment
 Lighting, 12V

Fuel System:

Fuel Lines, USCG - Type A-1
 Fuel Tank, Aluminum w/Electric Shutoff Valve &
 Electric Sending Unit

Water System:

Pressure Water System w/12V Pump
 Shower, Transom Pullout Sprayer
 Water Tank (24-Gallon)

Waste Systems:

Head System (VacuFlush*)
 Holding Tank w/Dockside Pump-Out
 (20-Gallon)
 Sump Box w/Pump - Automatic

Underwater Gear:

Propeller, Stainless Steel
 Trim Tabs, Hydraulic

STANDARD PROPULSION

MX6.2L MPI Bravo® III MCM Stern Drive
 (320 hp - 239 kW)

Options/Accessories**OPTIONAL PROPULSION****Gasoline Stern Drive:**

496 Magnum® Bravo® III MCM
 w/Corsa™ Exhaust System
 (375 hp - 280 kW)

Twin Gasoline Stern Drives:

T-5.0L MPI Bravo® I MCM*
 (T-260 hp - 194 kW)
 T-350 Magnum® MPI Bravo® I MCM*
 w/Corsa™ Exhaust System
 (T-300 hp - 224 kW)
 T-MX6.2L MPI Bravo® I MCM*
 w/Corsa™ Exhaust System
 (T-320 hp - 239 kW)

(*SmartCraft™ System Tachometers & System
 Speedometer Standard on all Twin Gasoline
 Engine Applications)

Twin Diesel Stern Drives:

T-Volvo KAD 32P/DP
 (T-157 hp - 117 kW)

(SmartCraft Systems N/A on Diesel Engine
 Applications)

OPTIONAL PACKAGES**Air Conditioning/Heating:**

120V/60 Cycle
 (9,000 BTU)
 (Shore Power Must Also Be Ordered)

Optional Seating Plan:

Seating, Aft Circular w/Fiberglass Storage Base &
 Sun Pad Filler Cushions
 Seating, Back-to-Back Lounger - Adjustable
 w/Flip-Up Thigh-Rise Bolster & Fiberglass
 Storage Base - Port
 Seating, Double Helm w/Flip-Up Thigh-Rise
 Bolster & Fiberglass Storage Base

Preferred Option Group**w/Canvas Package:**

Battery Charger/Converter, 120V/60 Cycle
 Canvas, Aft Curtain
 Canvas, Front Curtains
 Canvas, Side Curtains
 Canvas Storage Bag
 Carpet Liner, Snap-In
 Carpet Runners, Interior (Sunbrella®)
 CD Changer, 6-Disc
 Microwave, 120V
 Shore Power w/50' Cord, Adapter &
 Main Distribution Panel, 120V
 VHF Radio (Raymarine 215) w/4' Fiberglass
 Antenna & Stainless Steel Ratchet Mount

Sport Package:

Graphics, Two-Tone Gel-Coat
 Sport Spoiler, Molded Fiberglass (Seamless)
 w/Overhead Lighting
 Thru-Hull Fittings, Stainless Steel

SmartCraft™ System Tachometer**(Replaces System Monitor):**

(Includes: Depth, Engine Alarms/Hourmeter,
 Fuel Consumption/Usage, Trim Level,
 TROLL Control)

**SmartCraft™ System View (Replaces System
 Monitor - Only Available w/Twin Engine
 Applications):**

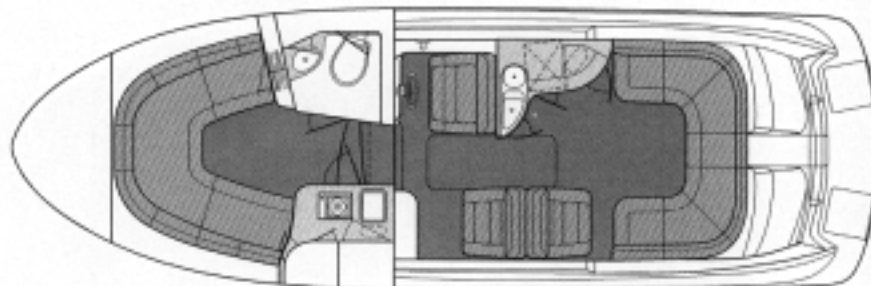
Instrumentation, Custom Sea Ray® SmartCraft
 w/Low-Glare Blue Night Lighting & Chrome
 Bezels (Includes: Tachometer & Speedometer)
 SmartCraft System View (Includes: Air & Water
 Temperature, Combined Fuel Flow/
 Range, Depth, Engine Alarms/Hourmeters,
 Engine Synchronizer, GPS Interface, System
 Maintenance Records)

INDIVIDUAL OPTIONS

Battery Charger/Converter, 120V/60 Cycle
 Bow Rail, High Profile
 (in lieu of Std. Low Profile)
 Canvas, Black (in lieu of Std. Colors)
 Carpet Liner, Snap-In
 CD Changer, 6-Disc
 Gray Water System
 Macerator w/Seacock Interlock System
 Refrigerator, 12V
 (Only Available w/Optional Seating Plan)
 Shore Power w/50' Cord, Adapter &
 Main Distribution Panel, 120V
 Sport Spoiler, Molded Fiberglass (Seamless)
 w/Overhead Lighting
 Spotlight, 5" Remote-Controlled
 Stereo Remote Control - Additional Unit on
 Transom
 TV/VCR Combo, 9" (Dual-Voltage - 120V/12V)
 (Spoiler or Sport Package Must Also Be
 Ordered) (NTSC Only)
 VHF Radio (Raymarine 215) w/4' Fiberglass
 Antenna & Stainless Steel Ratchet Mount
 Water Heater w/Exchanger
 (Shore Power Must Also Be Ordered)
 Windlass, Rope/Chain w/Foot Switches
 (Lofrans Marlin)

Storage Cradle
 CE Option

NOTE: Boats which are ordered with 220V/50 Cycle Electrical Systems will be installed with the appropriate appliances in the corresponding voltage.



Cabin/Cockpit Layout w/Optional Seating



290 Sun Sport

2003

Features and Standard Equipment

HULL & DECK FEATURES

Anchor Chute w/Cleat, Anchor & Rope
Bow & Stern Eyes, Stainless Steel
Bow Rail, Stainless Steel w/Stanchions
Cleats, 8" Thru-Bolted - Stainless Steel (6)
Color Schemes (Blue, Green, Black/Gold)
Deck Fill Plates, Stainless Steel
Drain Plug, Brass-Threaded - Garboard
(2 w/Twin Engines)
Gel-Coat, Arctic White
Handrails, Stainless Steel - Transom (2)
Hatch, Deck Vent - Translucent w/Locks &
Sky Screen Cover (20x20)
Light, Stern - Removable
Lights, Navigation - Stainless Steel
Portlights, Stainless Steel (1 Opening)
Resin, High-Performance Vinylester
Rub Rail, PVC w/Stainless Steel Insert
Shrink Wrap
Ski Tow Eye, Stainless Steel - Flush-Mount
Storage, Anchor w/Hatch
Storage, Swim Platform w/Fiberglass Hatch
Swim Platform, Integral
w/Concealed Stainless Steel Three-Step
Swim Ladder w/Integral Grab Handle
Thru-Hull Fittings, Color-Coordinated
Vent System, Engine Compartment - Integral
Windshield, Tempered/Tinted Curved Glass
w/Stainless Steel Frame, Walk-Thru &
Stainless Steel Supports
Windshield Wiper - Starboard

Canvas (Sunbrella®):

Bimini Top w/Boot & Vertical Storage
Cockpit Cover w/Canvas Storage Bag

Certifications:

Meets Applicable USCG & ABYC Standards
NMMA Certification

COCKPIT FEATURES

Beverage Holders (7)
Cooler, Carry-On w/Designated Storage
Dash w/Visor, Custom Soft-Touch
Door, Cabin Entry (Sliding & Lockable) -
Fiberglass w/Integral Steps
Door, Starboard Walk-Thru Transom
Floor Liner, Fiberglass
w/Direct Overboard Drainage
Glove Box, Helm
Handrails, Stainless Steel
Hatch, Engine Compartment - Electrically
Actuated
Ice Chest, Insulated - Built-In Port
Lighting, Indirect
Outlet, 12V Accessory
Seating, Bucket (2) - w/Swivels, Sliders, Flip-Up
Thigh-Rise Bolsters & Rotocast Shells -
Slider on Helm Only
Seating, Port/Aft Circular
w/Fiberglass Storage Base
Storage, In-Floor w/Gas-Assisted Hatch, Lighting
& Diamond Plate Flooring
Storage, Side Panels
Sun Pad, Aft (Gas-Assisted)
w/Fiberglass Storage Area
Wet Bar w/Sink, Faucet, Stainless Steel Handrail,
Trash Receptacle & Storage Cabinet
w/Bottle Rack Below

CABIN FEATURES

Carbon Monoxide Monitor
Carpet, Deep-Pile BCF - 44-Ounce
Lighting, 12V
Pillows, Accent
Stereo, 12V AM/FM Single CD w/Amplifier,
Speakers (6) & Digital Cockpit Remote Control
(Clarion®)

Galley:

Countertop, Molded Fiberglass
w/Granite-Colored Gel-Coat, Sink & Faucet
Handrail, Stainless Steel
Outlet, 12V Accessory
Refrigerator, Dual-Voltage - 120V/12V
Storage, Upper & Lower
Trash Receptacle - Under Step
Wood Interior Package - Cherry Wood Formica®
Cabinets

V-Berth:

Filler Cushions
Hanging Locker
Mirrored Rope Locker Bulkhead
Seating, V-Berth w/Storage Below -
Converts to Bed
Storage, Gunwale Cabinets
Storage, Side Shelves
Table, Dinette w/Designated Storage

Head:

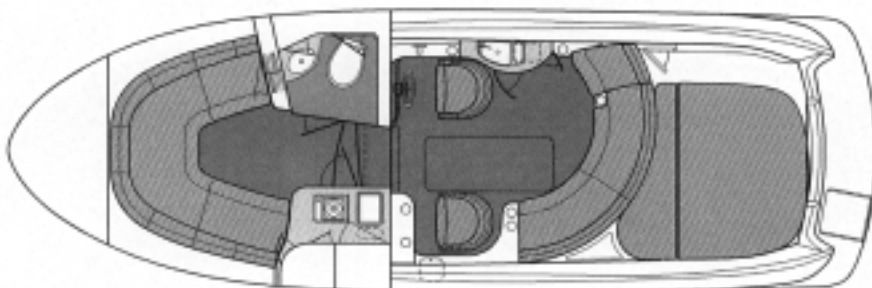
Handrail, Stainless Steel
Head (VacuFlush®)
Head, Enclosed - Full Fiberglass
Storage, Medicine Cabinet
Vanity w/Sink & Faucet w/Pullout Sprayer

TECHNICAL

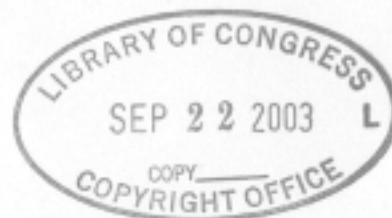
Control Station:

Alarm, High-Water - Bilge
Alarms, Engine - Oil & Water (Audible)
Compass
Depth Finder (Lowrance® 3500) - Diesel Only
Horn
Panel, Instrument - High-Gloss Burl
Shift & Throttle Lever w/Trim Switch & Ignition
Cutout Switch (Dual Binnacle Controls
w/Twin Engines)
SmartCraft™ Diagnostics:
Instrumentation, Custom Sea Ray® SmartCraft
w/Low-Glare Blue Night Lighting & Chrome
Bezels (Includes: Tachometer, Speedometer,
Fuel Level, Oil Pressure, Voltmeter,
Water Temperature)
SmartCraft System Monitor
(Includes: Depth, Engine Alarms/
Hourmeter, Fuel Consumption/Usage,
Trim Level, Troll Control)
Steering, Power-Assisted
Steering, Tilt Wheel
Steering Wheel, Wood-Accent
Switch Pads, Illuminated Waterproof Electronic
w/ISO Symbols & Dimmer Control
Tilt & Trim, Power

NOTE: Boats which are ordered with 220V/50 Cycle Electrical Systems will be installed with the appropriate appliances in the corresponding voltage.



Cabin/Cockpit Layout w/Standard Seating



THIS DRAWING IS THE PROPERTY OF SEA RAY BOATS, INC. ALL RIGHTS ARE RESERVED. THIS DRAWING OR ANY INFORMATION CONTAINED HEREIN IS NOT TO BE REPRODUCED OR TRANSMITTED IN ANY FORM OR BY ANY MEANS, ELECTRONIC OR MECHANICAL, WITHOUT THE WRITTEN PERMISSION OF SEA RAY BOATS, INC.

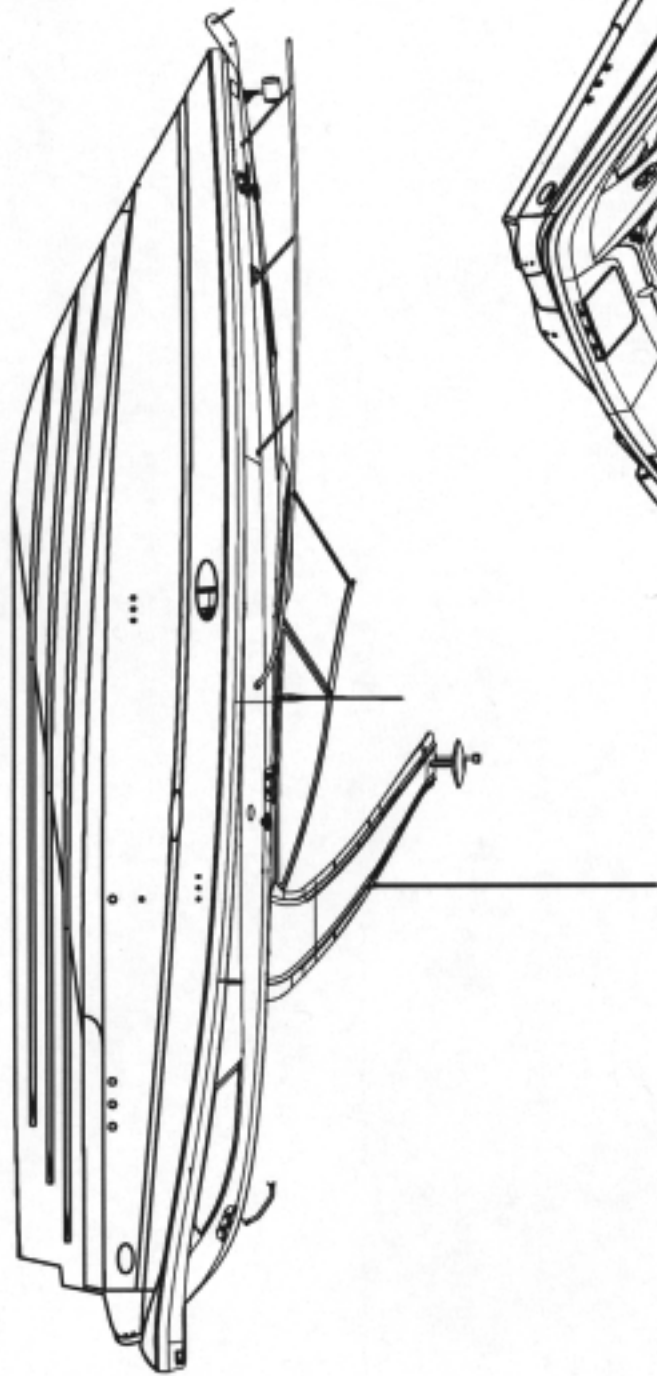
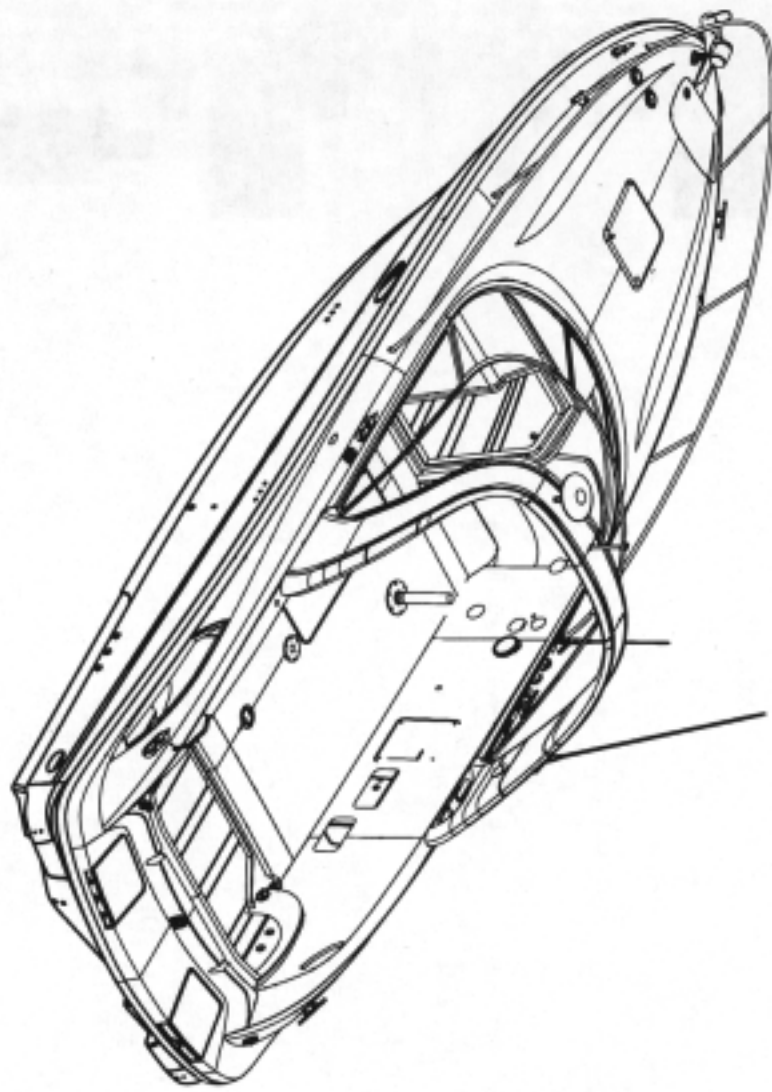
NOTES

REVISED BY

DATE

REV. NO.

FLIGHT FOR NO.



DVH 0188



DRAWING TITLE		COPYRIGHT DRAWINGS		MODEL		290SS 2001S	
PLANT REV. NO./DATE	PLANT APPROVAL BY	CHECKED BY/ DATE	APPROVED BY/ DATE	DRAWN BY/ DATE	DATE DRAWN	SMELIA	09-24-02
PLANT EST. NO.	PLANT EST. NO.	PLANT REV. NO.	PLANT REV. NO.	INITIAL RELEASE	ESN NO.		DRAWING NO.
		0					1339-02-090 11 OF 31



THIS DRAWING IS THE PROPERTY OF SEA RAY BOATS, INC. ALL RIGHTS ARE RESERVED. THIS DRAWING OR INFORMATION CONTAINED MAY NOT BE COPIED OR DISCLOSED TO OTHERS WITHOUT THE WRITTEN PERMISSION OF SEA RAY BOATS, INC.

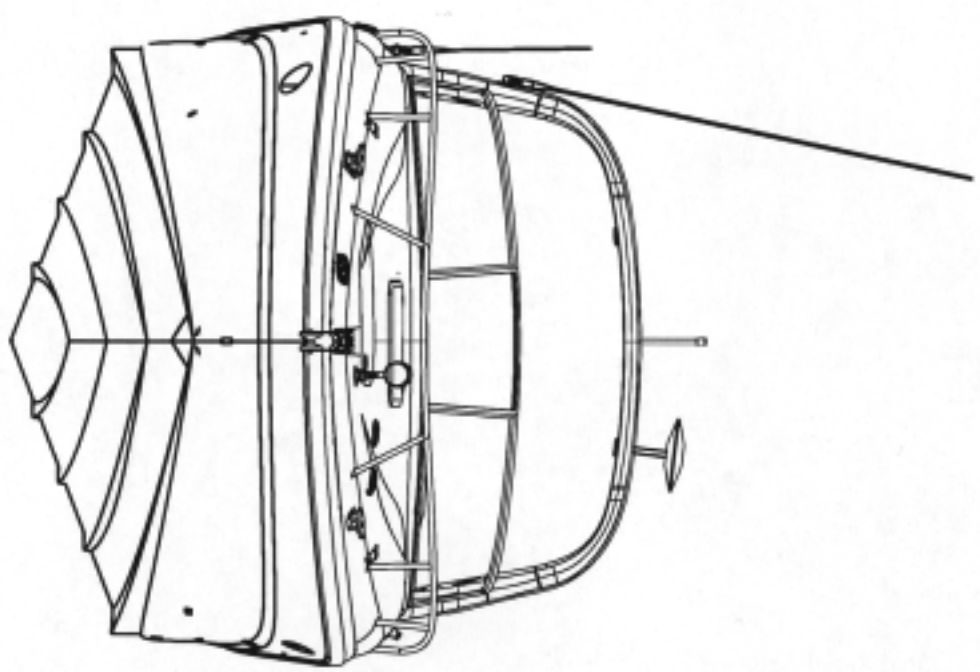
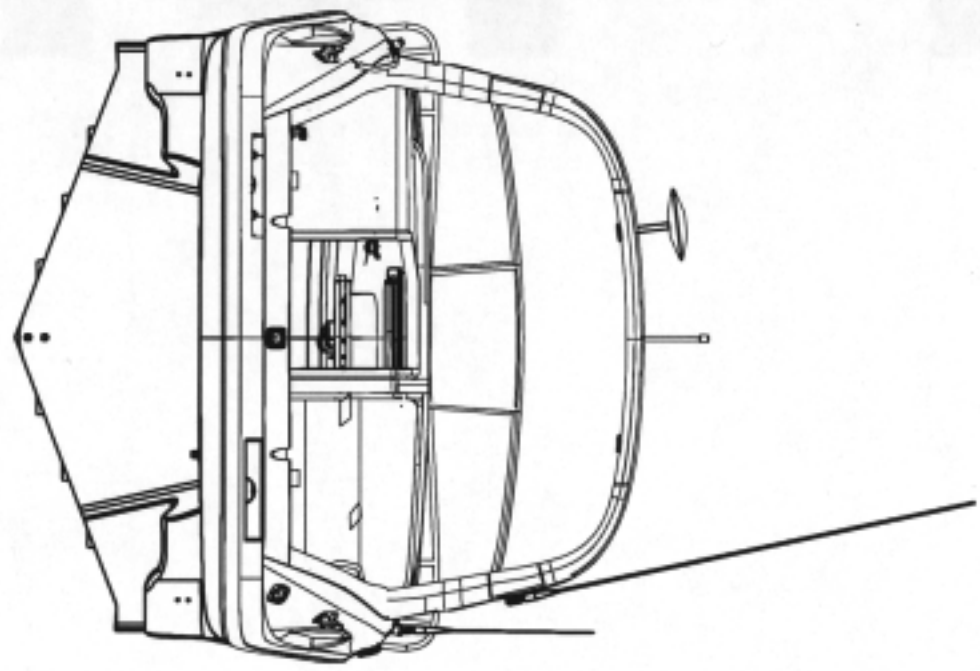
NOTES

REVISED BY

DATE

ECN NO.

CURRENT ECN NO.



DVH 0188



TITLE COPYRIGHT DRAWINGS

PLANT REV. NO./DATE
 PLANT APPROVAL BY
 PLANT START NO.

DRAWN BY/ DATE

APPROVED BY/ DATE

PLANT ECN NO.

MODEL 29055 2001.5

DRAWN BY/ DATE
 SHELJA

INITIAL RELEASE ECN NO.

PLANT ECN NO. 0

DATE 09/24/02

DRAWING NO. 1339-02-090

12 OF 31



THIS DRAWING IS THE PROPERTY OF SEA RAY BOATS, INC. ALL RIGHTS ARE RESERVED. THIS DRAWING OR INFORMATION CONTAINED MAY NOT BE COPIED OR DISCLOSED TO OTHERS WITHOUT THE WRITTEN PERMISSION OF SEA RAY BOATS, INC.

NOTES

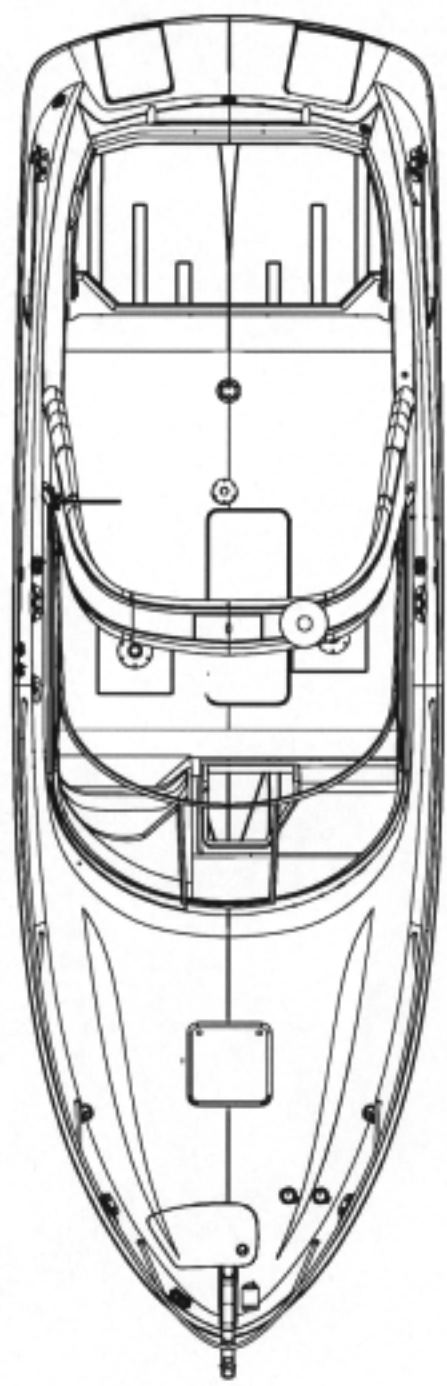
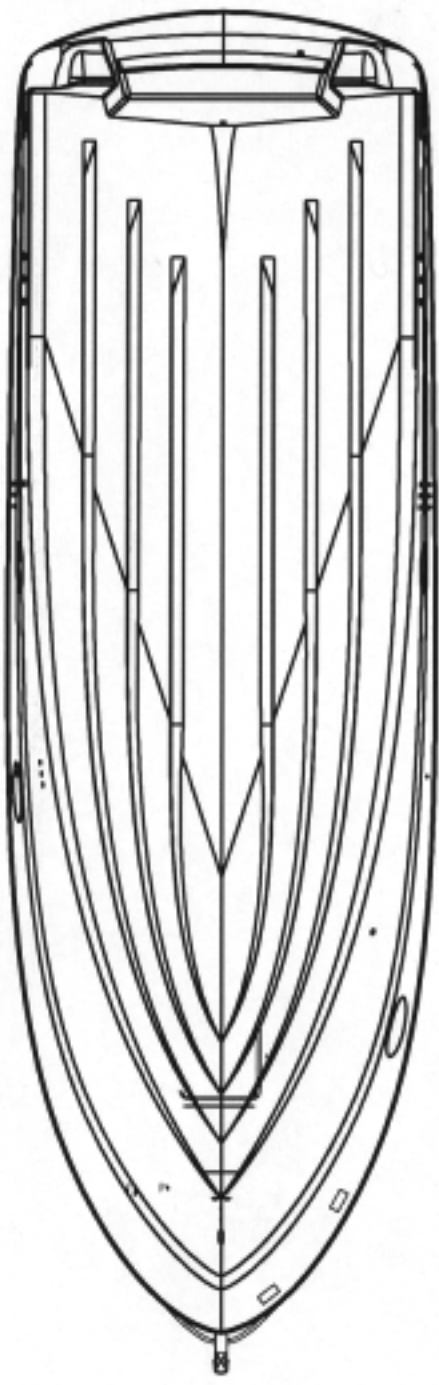
REVISED BY

DATE

ECN REV. NO.

CURRENT ECN NO.

DVH 0188



TITLE		COPYRIGHT DRAWINGS		MODEL		29055 2001.5	
PLANT REV. NO./DATE	PLANT APPROVAL BY	CHECKED BY/ DATE	APPROVED BY/ DATE	DRAWN BY/ DATE	SMELLA	DRAWING NO.	09/24/02
PLANT START NO.	PLANT END NO.	PLANT REV. NO.	0	INITIAL RELEASE ECN NO.		1339-02-090	3 OF 3

