



REGISTRATION NUMBER

DVH 0138

DATE OF REGISTRATION/PUBLICATION

AUG 06 2003

Month Day Year

DO NOT WRITE ABOVE THIS LINE. IF YOU NEED MORE SPACE, USE A SEPARATE CONTINUATION SHEET. (Form D-VH/CON)

Please give the make and model of the vessel that embodies the design.

REGAL 2250

1
TITLE

(a) What is the type or style of the design for which registration is sought?

FIBERGLASS RUNABOUT CUDDY CABIN

(L) Provide a brief general statement setting forth the salient features of the design.

*20 degree deadrise. Modified VEE-Hull with stepped bottom. Edge styling hull sides and accent styles lines two forward lifting strakes. Ventilated chine at step.

(c) If this design is deriv

*New Design -

2
DESIGN

Check here if this is a single design.

Check here if registering more than one design. Use Form D-VH/CON for additional designs.

Provide the name and address of the designer(s). The name of the employer may be given instead of the designer(s) if, (1) the design was made within the regular scope of employment of the designer(s) and (2) the individual authorship of the design is difficult or impossible to ascribe.

Please check here if those conditions are satisfied and you are providing the employer's name.

Name: MICHAEL PETERS YACHT DESIGN

Address: 47 S. PALM AVENUE, #202
SARASOTA, FLORIDA
34326

3
DESIGNER(S)

If the owner is different from the designer(s) or employer named above, provide the name and address of the owner:

Name: REGAL MARINE INDUSTRIES

Address: 2300 JETPORT DRIVE
ORLANDO, FLORIDA 32809

4
OWNER,
IF NOT
DESIGNER(S)

(a) Was an application for registration of this design identified in an application filed in a foreign country that extends to designs of owners who are citizens of the United States, or to persons filing applications in the United States, similar protection to that afforded in 17 U.S.C. chapter 13?

Yes No

(b) If yes, identify the country and date of application:

Country: _____

Date of application: _____

Serial No: _____

Was this design made public before the date of application? Yes No

If yes, on what date? 9 - 2 - 2002

Month Day Year

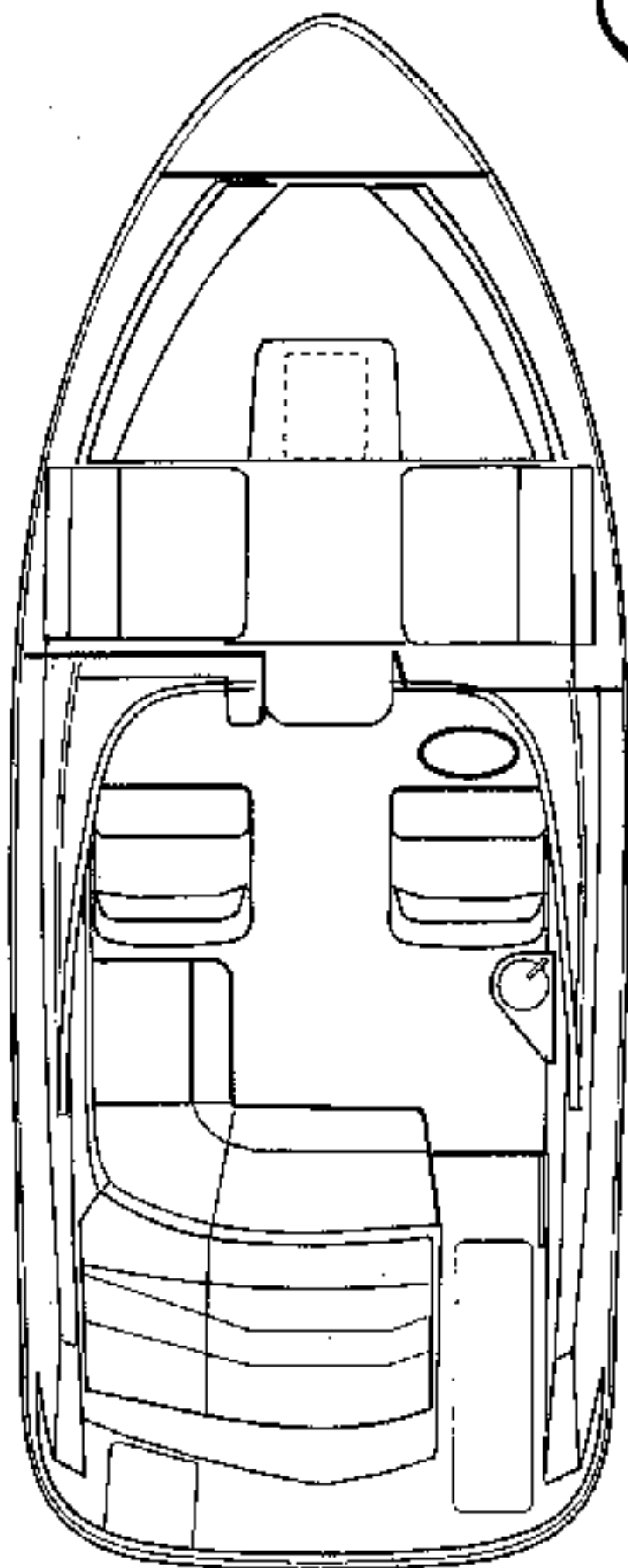
5
PRIORITY
CLAIM

6
DATE MADE
PUBLIC

DO NOT WRITE HERE
OFFICE USE ONLY

APPLICATION RECEIVED
MAR 18 2003
DESIGN COPIES RECEIVED
MAR 18 2003
FUNDS RECEIVED
MAR 18 2003

LIBRARY OF CONGRESS
MAR 18 2003 LL
COPYRIGHT OFFICE

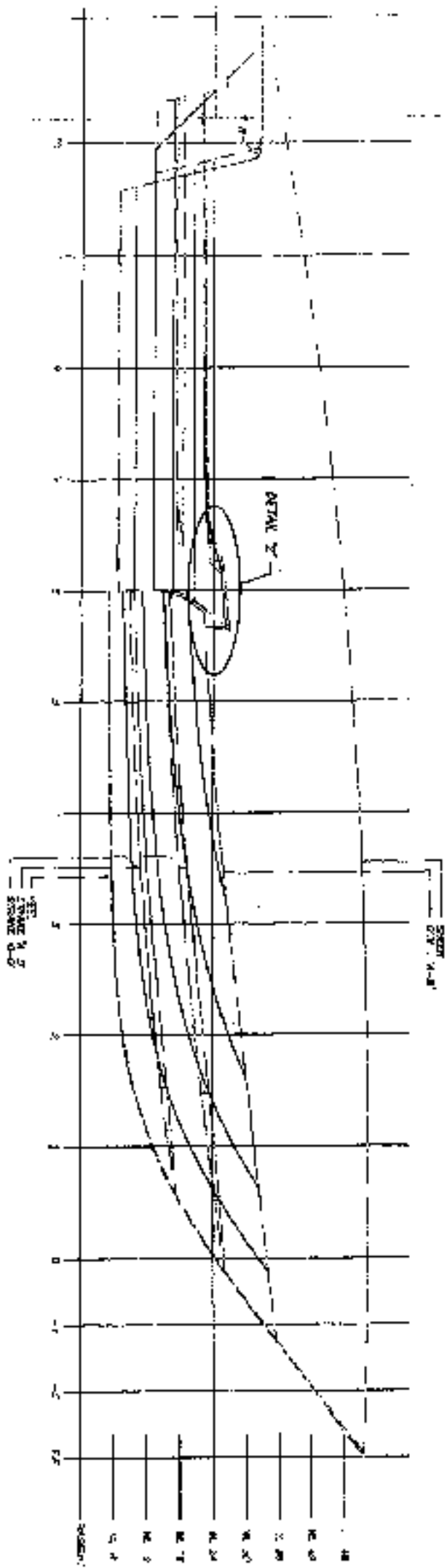


REGAL 2250



DWH 0138

PROFILE



DVH 0138



PLAN

