



# Structural Design Manual for Improved Inlets & Culverts

FHWA-IP-83-6

June 1983

Welcome to FHWA-IP-83-6-Structural Design Manual for Improved Inlets & Culverts.



[Table of Contents](#)



[Tech. doc.](#)



DISCLAIMER: During the editing of this manual for conversion to an electronic format, the intent has been to keep the document text as close to the original as possible. In the process of scanning and converting, some changes may have been made inadvertently.

# Table of Contents for FHWA-IP-83-6-Structural Design Manual for Improved Inlets and Culverts

---

 [List of Figures](#)  [List of Tables](#)  [List of Equations](#) 

## [Cover Page : FHWA-IP-83-6-Structural Design Manual for Improved Inlets and Culverts](#)

### [Chapter 1 :FHWA- IP-83-6 Introduction](#)

- ▶ [1.1 Objective](#)
- ▶ [1.2 Scope](#)
- ▶ [1.3 Types and Geometry of Improved Inlets](#)
  - ▶ [1.3.1 Beveled Headwall](#)
  - ▶ [1.3.2 Beveled Headwall with Fall](#)
  - ▶ [1.3.3 Side Tapered Inlet](#)
  - ▶ [1.3.4 Side Tapered Inlet with Fall](#)
  - ▶ [1.3.5 Slope Tapered Inlet](#)
- ▶ [1.4 Appurtenant Structures](#)

### [Chapter 2 :FHWA- IP-83-6 Loads on Inlet Structures](#)

- ▶ [2.1 Culvert Weight](#)
- ▶ [2.2 Fluid Loads](#)
- ▶ [2.3 Earth Loads](#)
  - ▶ [2.3.1 Soil Structure Interaction Factor for Rigid Culverts](#)
  - ▶ [2.3.2 Flexible Culverts](#)
  - ▶ [2.3.3 Other Installations](#)
- ▶ [2.4 Construction Loads](#)
- ▶ [2.5 Distribution of Earth Pressures on Culvert](#)
  - ▶ [2.5.1 Rigid Culverts](#)
  - ▶ [2.5.2 Flexible Culverts](#)

### [Chapter 3 :FHWA- IP-83-6 Manual Methods for Structural Analysis](#)

- ▶ [3.1 Reinforced Concrete Box Sections](#)
- ▶ [3.2 Rigid Pipe Sections](#)
- ▶ [3.3 Flexible Pipe Sections](#)

### [Chapter 4 : FHWA-IP-83-6 Structural Design of Inlet Structures](#)

- ▶ [4.1 Reinforced Concrete Design](#)
  - ▶ [4.1.1 Limit States Design Criteria](#)
  - ▶ [4.1.2 Design of Reinforcement for Flexural Strength](#)

- ▶ [4.1.3 Crack Control Check](#)
- ▶ [4.1.4 Shear Strength Check](#)
- ▶ [4.1.5 Stirrups](#)
- ▶ [4.1.6 Special Design Considerations for Slope Tapered Inlets](#)
- ▶ [4.2 Corrugated Metal Pipe Design Method](#)

## [Chapter 5 :FHWA- IP-83-6 Computerized Analysis and Design of Reinforced Concrete](#)

### Sections

- ▶ [5.1 Box Sections](#)
  - ▶ [5.1.1 Input Variables](#)
  - ▶ [5.1.2 Loadings](#)
  - ▶ [5.1.3 Structural Analysis](#)
  - ▶ [5.1.4 Design of Reinforcing](#)
  - ▶ [5.1.5 Input/Output Description](#)
- ▶ [5.2 Circular and Elliptical Pipe Sections](#)
  - ▶ [5.2.1 Input Variables and Dimensional Limitations](#)
  - ▶ [5.2.2 Loadings](#)
  - ▶ [5.2.3 Structural Analysis](#)
  - ▶ [5.2.4 Design of Reinforcing](#)
  - ▶ [5.2.5 Input/Output Description](#)

## [Chapter 6 :FHWA-IP-83-6 Design of Appurtenant Structures](#)

- ▶ [6.1 Circular to Square Transition](#)
- ▶ [6.2 Wingwalls and Headwalls](#)
  - ▶ [6.2.1 Wingwalls](#)
  - ▶ [6.2.2 Headwalls](#)
- ▶ [6.3 Apron Slabs](#)

## [Appendix A : FHWA-IP-83-6 Structural Design of Inlet Structures](#)

- ▶ [Section 9 - Soil Corrugated Metal Structure Interaction Systems](#)
  - ▶ [1.9.1 General](#)
  - ▶ [1.9.2 Service Load Design](#)
  - ▶ [1.9.3 Load Factor Design](#)
  - ▶ [1.9.4 Corrugated Metal Pipe](#)
  - ▶ [1.9.5 Structural Plate Pipe Structures](#)
  - ▶ [1.9.6 Long Span Structural Plate Structures](#)
- ▶ [Section 23 - Construction and Installation of Soil Metal Plate Structure Interaction System](#)
  - ▶ [2.23.1 General](#)
  - ▶ [2.23.2 Forming and Punching of Corrugated Structural Plates and Sheets for Pipe](#)
  - ▶ [2.23.3 Assembly](#)

- ▶ [2.23.4 Bedding](#)
- ▶ [2.23.5 Pipe Foundation](#)
- ▶ [2.23.6 Fill Requirements](#)
- ▶ [2.23.7 Bracing](#)
- ▶ [2.23.8 Camber](#)
- ▶ [2.23.9 Arch Substructures and Headwalls](#)
- ▶ [2.23.10 Cover over Pipe during Construction](#)
- ▶ [2.23.11 Workmanship and Inspection](#)
- ▶ [2.23.12 Method of Measurement](#)
- ▶ [2.23.13 Basis of Payment](#)

## [Appendix B :FHWA-IP-83-6 Users Manual - Improved Inlet Box Section Program,](#)

### [Boxcar](#)

- ▶ [B.1 Input Data](#)
- ▶ [B.2 Output](#)
  - ▶ [B.2.1 Debug = 0](#)
  - ▶ [B.2.2 Debug = 1](#)
  - ▶ [B.2.3 Debug = 2](#)
  - ▶ [B.2.4 Debug = 3](#)

## [Appendix C : FHWA-IP-83-6 Users Manual - Pipe Design Program, Pipecar](#)

- ▶ [C.1 Input Data](#)
- ▶ [C.2 Output](#)
  - ▶ [C.2.1 Debug = 0](#)
  - ▶ [C.2.2 Debug = 1](#)
  - ▶ [C.2.3 Debug = 2](#)
  - ▶ [C.2.4 Debug = 3](#)

## [Appendix D :FHWA-IP-83-6 Design Examples](#)

- ▶ [D.1 Side Tapered Box Section Inlet Design Example](#)
  - ▶ [D.1.1 Problem:](#)
  - ▶ [D.1.2 Design Data](#)
  - ▶ [D.1.3 Calculate Soil Pressure](#)
  - ▶ [D.1.4 Calculate Moments, Thrusts & Shears @ Design Sections](#)
  - ▶ [D.1.5 Reinforcing Design](#)
  - ▶ [D.1.6 Summary of Design Example D.1](#)
- ▶ [D.2 Side Tapered Reinforced Concrete Pipe](#)
  - ▶ [D.2.1 Problem:](#)
  - ▶ [D.2.2 Design Data](#)
  - ▶ [D.2.3 Calculate Applied Loads](#)

▶ [D.2.4 Calculate Moments, Thrusts & Shears @ Design Sections](#)

▶ [D.2.5 Reinforcing Design](#)

▶ [D.2.6 Summary - Design Example D.2](#)

### ▶ [D.3 Side Tapered Corrugated Metal Inlet Design Example](#)

▶ [D.3.1 Problem:](#)

▶ [D.3.2 Design Data:](#)

▶ [D.3.3 Calculate Applied Loads:](#)

▶ [D.3.4 Metal Ring Design](#)



## [Appendix E :FHWA-IP-83-6 Improved Inlet Example Designs](#)



## [Appendix F :FHWA-IP-83-6 Derivation of Equations for Locating Culverts](#)

### ▶ [F.1 Derive Equations to Determine Elevations of Critical Points and Lengths of Critical Sections for Slope Tapered Inlets](#)

▶ [F.1.1 Definition of Terms](#)

▶ [F.1.2 Determine the Lengths LE & LO](#)

▶ [F.1.3 Determine LB](#)

▶ [F.1.4 Determine Elevations DF, EB, ET, Es](#)

▶ [F.1.5 Determine Slope of Barrel S](#)

▶ [F.1.6 Determine Height of Fill over Inlet at Face, Hf, and along Length, H\(x\), Where x Is Horizontal Distance from Face Culvert](#)

### ▶ [F.2 Derive Equations to Determine Elevations of Critical Points and Lengths of Critical Sections for Side Tapered Inlets with Fall](#)

▶ [F.2.1 Definition of Terms](#)

▶ [F.2.2 Determine Lengths](#)

▶ [F.2.3 Determine Elevations](#)

▶ [F.2.4 Determine Height of Fill over Inlet at Face\(Hf\) and along Length H\(x\) Where x Is the Horizontal Distance from the Face of the](#)

[Culvert](#)

▶ [F.2.5 Example - Side Tapered Inlet with Fall](#)

### ▶ [F.3 Derive Equations to Determine Elevation of Critical Points and Lengths of Critical Sections for Side Tapered Inlets without Fall](#)



## [Appendix G :FHWA-IP-83-6 Typical Details for Improved Inlets](#)

▶ [Sheet #1: Typical Reinforcing Layout - Side Tapered Single Cell Box Inlets](#)

▶ [Sheet #2: Typical Reinforcing Layout - Side Tapered Two Cell Box Inlets](#)

▶ [Sheet #3: Typical Reinforcing Layout - Slope Tapered Single Cell Box Inlets](#)

▶ [Sheet #4 : Typical Reinforcing Layout - Slope tapered Two Cell Box Inlets](#)

▶ [Sheet #5: Typical Reinforcing Layout - Side Tapered Reinforced Concrete Pipe Inlets](#)

▶ [Sheet #6: Side tapered Corrugated Metal Inlet](#)

▶ [Sheet #7: Headwall Details for Box Inlets](#)

▶ [Sheet #8: Headwall Details for Pipe Inlets](#)


▶ [Sheet #9: Cantilever Wingwall Designs](#)

 [Appendix H :FHWA- IP-83-6 Computer Program Listings Part I](#)

▶ [Program BOXCAR](#)

 [Appendix H:FHWA-IP-83-6 Computer Program Listings Part II](#)

▶ [Program PIPECAR](#)

 [Symbols](#)

 [References](#)














# List of Figures for FHWA-IP-83-6-Structural Design Manual for Improved Inlets and Culverts



[Back to Table of Contents](#)



-  [Figure 1-1. Side Tapered Box Section or Pipe Inlet Geometry](#)
-  [Figure 1-2. Additional Geometry for Side Tapered Pipe Inlets](#)
-  [Figure 1-3. Slope Tapered Box Section Inlets](#)
-  [Figure 2-1. Distribution of Earth Pressure on Culverts](#)
-  [Figure 2-1. Distribution of Earth Pressure on Culverts](#)
-  [Figure 2-1. Distribution of Earth Pressure on Culverts](#)
-  [Figure 3-1. Coefficients for M, N, and V due to Earth Load on Circular Pipe](#)
-  [Figure 3-2. Coefficients for M, N, and V due to Earth Load on Elliptical Pipe with  \$U/V = 0.1\$](#)
-  [Figure 3-3. Coefficients or M, N and V due to Earth Load on Elliptical Pipe with  \$U/V = 0.5\$](#)
-  [Figure 3-4. Coefficients or M, N and V due to Earth Load on Elliptical Pipe with  \$U/V = 1.0\$](#)
-  [Figure 3-5. Coefficients or M, N and V due to Pipe Weight on Narrow Support](#)
-  [Figure 3-6. Coefficients or M, N and V due to Water Load on Circular Pipe](#)
-  [Figure 4-1. Typical Reinforcing Layout for Single Cell Box Culverts](#)
-  [Figure 4-2. Locations of Critical Sections for Shear and Flexure Design in Single Cell Box Sections](#)
-  [Figure 4-3. Typical Reinforcing Layout and Location of Design Sections for Shear and Flexure Design of Two Cell Box Culverts](#)
-  [Figure 4-4. Typical Reinforcing Layout and Locations of Critical Sections for Shear and Flexure Design in Pipe Sections](#)
-  [Figure 4-5. Critical Shear Location in Circular Pipe for Olander \(7\) Earth Pressure Distribution](#)
-  [Figure 4-6. Location of Critical Shear Section for Straight Members with Uniformly Distributed Load](#)
-  [Figure 4-7. Design Considerations for Slope Tapered Inlets](#)
-  [Figure 5-1. Single Cell Box Section Loading Cases](#)
-  [Figure 5-2. Pipe Section Load Cases](#)
-  [Figure 6-1. Circular to Square Transition Section](#)
-  [Figure 6-2. Loading Diagram and Typical Reinforcing Layout for Cantilever Type Retaining Wall](#)
-  [Figure 6-3. Skewed Headwall Detail](#)
-  [Figure A-1.9.6](#)

-  [Figure A-2.23](#)
-  [Figure B-1. Locations of Critical Sections for Shear and Flexure Design in Single Cell Box Sections](#)
-  [Figure B-2. Frame Model Used for Computer Analysis of Box Sections](#)
-  [Figure C-1. Typical Reinforcing Layout and Locations of Critical Sections for Shear and Flexure Design in Pipe Sections](#)
-  [Figure C-2. Frame Model Used for Computer Analysis of Circular and Elliptical Pipe](#)
-  [Figure E-1. Headwall Dimensions for Cast-In-Place Reinforced Concrete Structures.](#)
-  [Figure E-2. Headwall Dimensions for Precast Concrete Culverts](#)
-  [Figure E-3. Headwall Dimensions for Corrugated Metal Pipe](#)
-  [Figure E-4. Skewed Headwall for 8 X 8 Box Section](#)
-  [Figure E-5. Skewed Headwall for 72" Reinforced Concrete Pipe](#)
-  [Figure E-6. Skewed Headwall for 48" Corrugated Metal Pipe](#)

 [Back to Table of Contents](#) 





# Chapter 1 : FHWA-IP-83-6

## Introduction

[Go to Chapter 2](#)

---

### 1.1 Objective

This Manual provides structural design methods for inlets having specific configurations that improve hydraulic flow in culverts. Hydraulic design methods for obtaining these inlet configurations are given in Hydraulic Engineering Circular No. 13 (HEC No. 13), "Hydraulic Design of Improved Inlets for Culverts" (1), first published in 1972 by the Federal Highway Administration (FHWA). HEC No. 13 contains a series of charts and tables for determining the improvement in hydraulic performance obtained with beveled headwalls, falls and side or slope tapered inlets.

Design methods and typical details for the component structures found in improved inlets, such as wing walls, headwalls, aprons and the inlet itself, are also presented in this Manual. These methods cover inlets to reinforced concrete pipe, reinforced concrete box sections and corrugated metal pipe. They also apply to the design of culvert barrels, themselves, for each of the above type conduits.

---

### 1.2 Scope

The Manual is based on a review of the current state of the art for the design of culverts and inlet structures. This review included published technical literature, industry sources and state transportation agencies. Existing practices were reviewed for accuracy, complexity, design time and applicability to improved inlet design. Those methods that reflect current practice and best account for the structural behavior of improved inlets are included in this Manual. Existing methods were selected wherever possible. New methods were developed only where there were gaps in existing design methods.

The principal design methods covered in this Manual are for the inlet itself; however, since headwalls, wingwalls and aprons are also important to the proper hydraulic function of an improved inlet, design information is also included for these components.

The Manual includes both hand and computer methods for analysis and design. The computer programs were written for a large computer, but the hand methods are readily programmable for hand-held calculators.

Hand analysis and design methods are provided for:

- One and two cell reinforced concrete box culverts
- Reinforced concrete pipe culverts
- Corrugated metal pipe culverts

Computer analysis and design methods are provided for:

- One cell reinforced concrete box culverts
- Reinforced concrete pipe culverts

General design approaches, design criteria and typical details for wingwalls, headwalls and circular to square transition sections are also presented in the Manual.

---

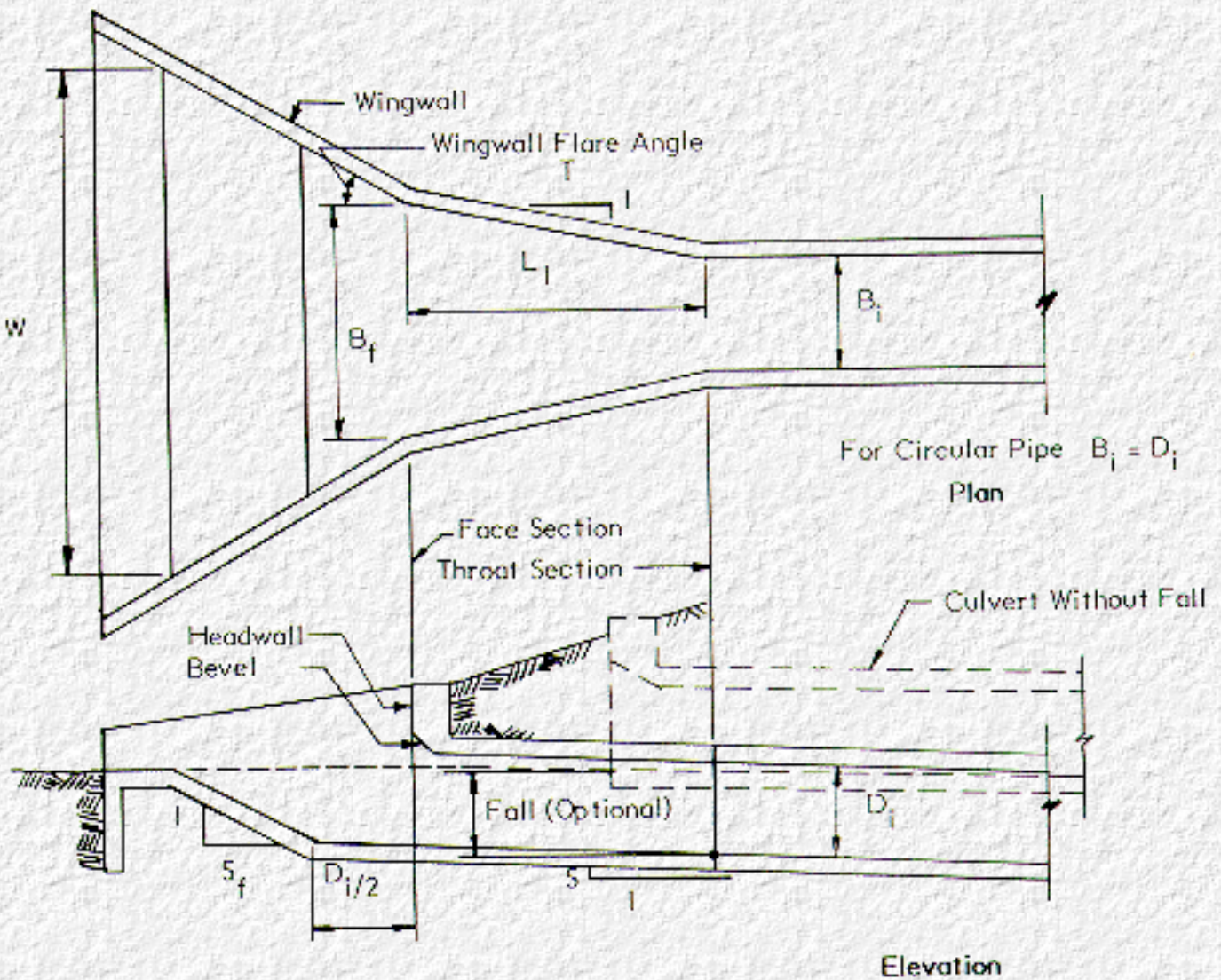
## 1.3 Types and Geometry of Improved Inlets

The five basic combinations of geometry to improve the hydraulic capacity of inlets are listed below. Typical plans, details and reinforcing arrangements of improved inlets are included in [Appendix G](#). and typical designs are included in [Appendix E](#).

---

### 1.3.1 Beveled Headwall

A bevel can be characterized as a large chamfer that is used to decrease flow contraction at the inlet. A bevel is shown schematically in [Figure 1-1](#), in conjunction with other features described below. A bevel is not needed on the sides for wingwalls flared between 30° and 60°. A beveled headwall is a geometrical feature of the headwall and does not require unique structural design. Reinforced concrete pipe sections are generally precast, and can have a bevel formed at the time of manufacture, or in the case of pipe with bell and spigot joints, tests have shown that the bell will improve hydraulic capacity much the same as a bevel. Corrugated metal pipe can have bevels cast as a part of the reinforced concrete headwall. Typically, a bevel should be used at the face of all culvert entrances.



**Figure 1-1. Side Tapered Box Section or Pipe Inlet Geometry**

### 1.3.2 Beveled Headwall with Fall

A fall is a depression in front of the entrance to a non-tapered culvert or, as shown in [Figure 1-1](#), in front of a side tapered inlet. A fall is used to increase the head at the throat section. Structurally a fall apron represents a slab on grade, and should be designed as such.

### 1.3.3 Side Tapered Inlet

A side-tapered inlet is a pipe or box section with an enlarged face area, with transition to the culvert barrel accomplished by tapering the side wall ([Figure 1-1](#)). A bevel is generally provided at the top and sides of the face of a side tapered inlet, except as noted earlier.

For simplicity of analysis and design, a side-tapered inlet may be considered to behave structurally as a series of typical non-tapered culverts of varying span and load. The span becomes shorter as the sides of the structure taper from the face section to the throat culvert. Because of these differing influences, the reinforcing design may be governed at the face, throat or some intermediate section. As a minimum, designs should be completed for the faces, throat, and middle sections. Typically, inlet structures are relatively short, and the most conservative combination of these designs can be selected for the entire structure. For longer structures where the use of two designs may be economical, either the face or mid-length design, whichever gives the greater requirement, may be used in the outer half of the structure. For longer structures it may be necessary and/or economical to obtain designs at additional intermediate locations along the inlet. Equations for locating side tapered inlets with embankments, and determining heights of fill for design are included in [Appendix F](#).

Additional geometry required to define a side tapered pipe inlet is shown in [Figure 1-2](#). These inlets taper from a pseudo-elliptical shape at the face to a circular section at the throat. The face sections are not true ellipses, but are defined geometrically using the same principles as the precast concrete "elliptical" sections defined in ASTM C507 (AASHTO M207). For simplicity, this shape will be called elliptical in this Manual. The elliptical sections are formed by intersecting top, bottom and side circular segments with different radii and centers, and can be defined by four parameters as shown, the radii  $r_1$ , and  $r_2$  and the offset distances  $u$  and  $v$ .

One method of defining the geometry of an inlet along its length in terms of the taper,  $T$ , the coordinate  $z$ , the ratio  $u/v$ , and the diameter at the throat,  $D_j$ , is shown in [Figure 1-2](#). The  $u/v$  ratio can be selected by the designer and will typically vary from 0 to 1. A ratio near 1.0 will produce top and bottom sections that are rounded, while a value near zero will produce very flat top and bottom sections. A ratio of  $u/v \approx 0.5$  is used for the horizontal elliptical pipe in ASTM C507 (AASHTO M207). Any consistent geometry that produces the desired face section may be used by the designer. The angle  $\theta$ , is defined as the angle from the vertical, measured about the center of rotation of the radius of the circular segment being considered. Thus, the point of reference for  $\theta$  varies for each of the four circular segments, as well as along the longitudinal axis of the inlet.

---

#### 1.3.4 Side Tapered Inlet with Fall

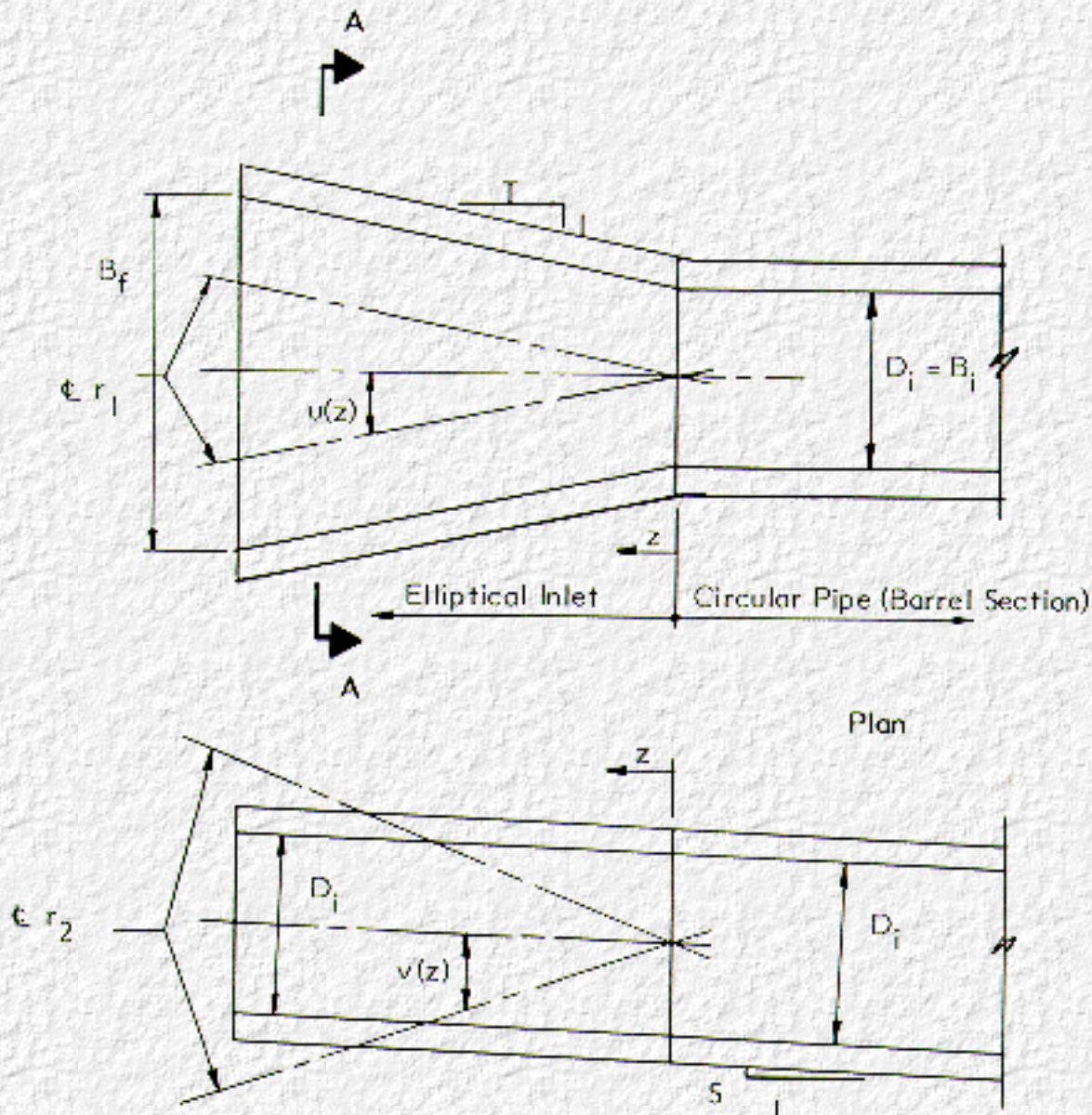
The hydraulic capacity of a side tapered inlet can be increased further by incorporating a fall, as described above, in front of the inlet. This is shown in [Figure 1-1](#).

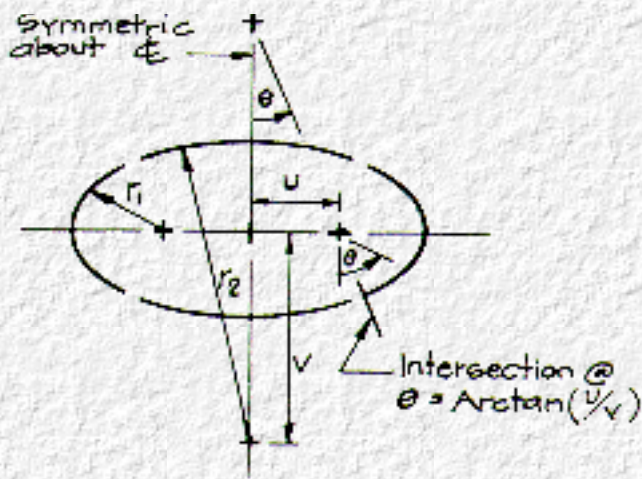
---

### 1.3.5 Slope Tapered Inlet

A slope tapered inlet is a side tapered inlet, with a fall incorporated into the tapered portion of the structure, as shown in [Figure 1-3](#). Structural design of a slope tapered inlet can be completed in the same manner as a side tapered inlet, except that the bend section, where segments  $L_2$  and  $L_3$  intersect ([Figure 1-3](#)) rather than the midlength is typically the critical section for structural design. Thus, for slope tapered inlets the face, bend and throat sections must be investigated to determine the critical sections for design. As for side tapered inlets, additional sections should be investigated in longer structures. Only box sections are normally used for slope tapered inlets, since the structure is generally cast-in-place. When it is cost effective to use a slope tapered inlet with a pipe culvert, a circular to square transition section can be provided. (See [Section 6.1](#)). Equations for locating slope tapered culverts within embankments and for determining heights of fill at various sections are presented in [Appendix F](#).

6





Elevation

$$K_1 = \frac{u}{v} \text{ (ratio is constant)}$$

$$r_1(z) = \frac{\frac{z}{T} \left[ \frac{1}{K_1} - \sqrt{1 + \left(\frac{1}{K_1}\right)^2} \right] + \frac{D_i}{2}}{1 + \frac{1}{K_1} - \sqrt{1 + \left(\frac{1}{K_1}\right)^2}}$$

$$u(z) = \frac{z}{T} + \frac{D_i}{2} - r_1(z)$$

$$v(z) = \frac{u(z)}{K_1}$$

$$r_2(z) = \frac{D_i}{2} + v(z)$$

Figure 1-2. Additional Geometry for Side Tapered Pipe Inlets

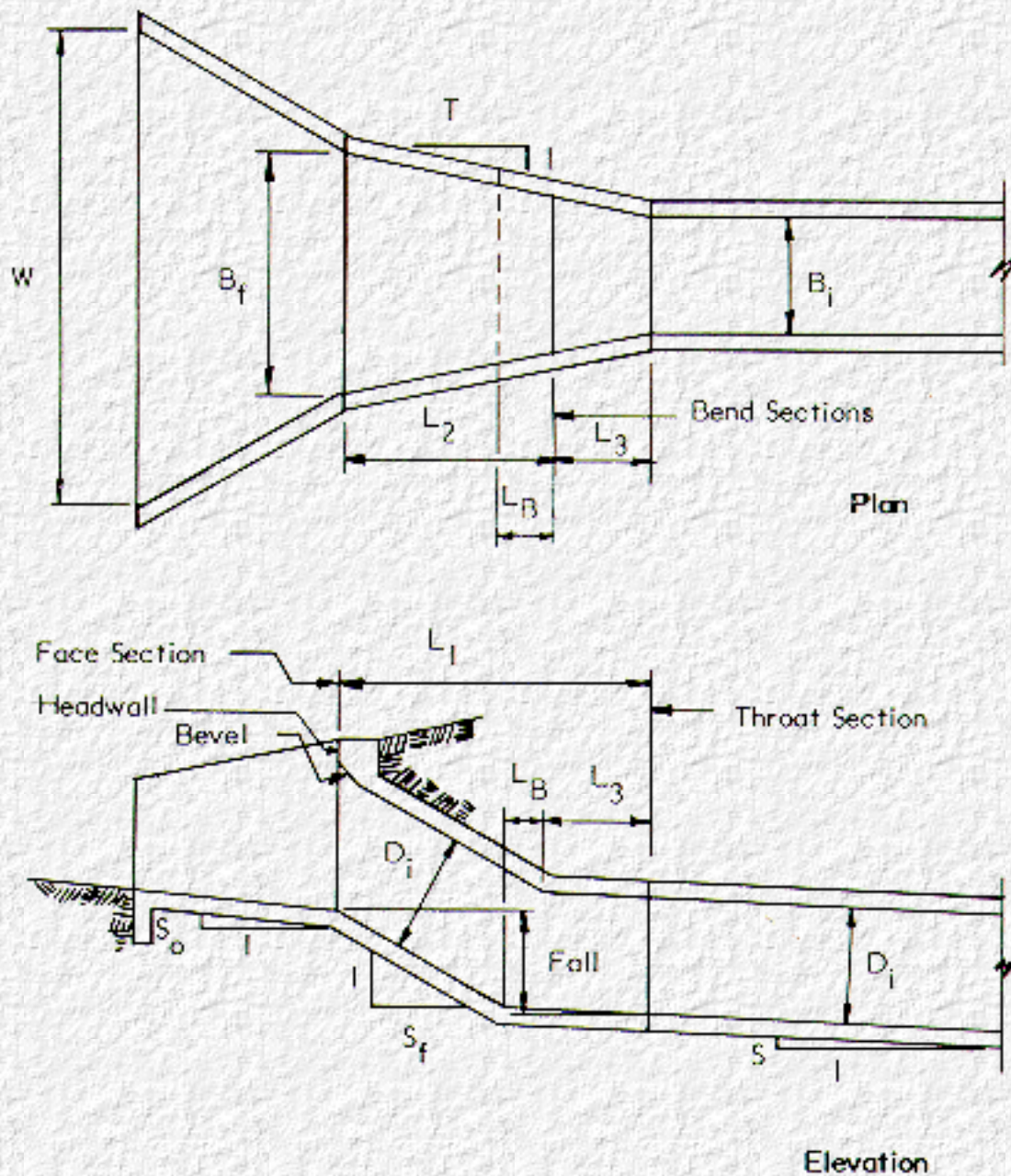


Figure 1-3. Slope Tapered Box Section Inlets

## 1.4 Appurtenant Structures

Other structures that may be required at the entrance to culverts, besides the culvert barrel itself and the inlet, include headwalls, wingwalls, apron slabs and circular to square transition sections. Design of these structures is discussed briefly in [Chapter 6](#). Typical details are provided in [Appendix G](#).

[Go to Chapter 2](#)



# Chapter 2 : FHWA-IP-83-6

## Loads on Inlet Structures

[Go to Chapter 3](#)

Inlet structures are subjected to the same loading conditions as are ordinary culvert structures. These are culvert weight, internal fluid weight, earth load and vehicle loads.

### 2.1 Culvert Weight

The total weight of a reinforced concrete culvert per unit length,  $W_p$ , at a given section can be obtained from tables in the American Concrete Pipe Association (ACPA) Pipe Design Handbook (2), or from the following simplified equations for approximate total weight of structure in lbs per ft. These equations apply when  $D_i$ ,  $B_i$ ,  $h$ ,  $r_1$ ,  $r_2$ ,  $u$ ,  $v$ ,  $H_H$ ,  $H_V$ ,  $T_S$ ,  $T_T$  and  $T_B$  are in inches, and the concrete unit weight is 150 lbs per cu. ft.

Circular:  $W_p = 3.3 h (D_i + h)$  Equation 2.1

Elliptical  
([Figure 1-2](#)):  $W_p = 4.2 \left\{ \left( r_2 + \frac{h}{2} \right) \arctan \left( \frac{u}{v} \right) + \left( r_1 + \frac{h}{2} \right) \left[ 1.57 - \arctan \left( \frac{u}{v} \right) \right] \right\}$  Equation 2.2

Box  
Sections  $W_p = 1.04 [(B_i + 2T_s)(T_T + T_B) + 2(D_i T_s + H_H H_V)]$  Equation 2.3

The weight of corrugated metal structures is small relative to the earth load, and is generally neglected in design.

### 2.2 Fluid Loads

The weight of fluid per unit length,  $W_f$ , inside a culvert filled with fluid can be calculated from the following simplified equations for approximate total weight of water in lbs per ft. These equations apply when  $D_i$ ,  $B_i$ ,  $r_1$ ,  $r_2$ ,  $u$  and  $v$  are in inches, and the fluid unit weight is 62.5 lbs per cu. ft. (This unit weight is slightly higher than the normal unit weight of clean water to account for any increases due to dissolved matter.)

Circular:  $W_f = 0.34 D_i^2$  Equation 2.4

Elliptical:  $W_f = 0.87 \left\{ r_2^2 \arctan \left( \frac{u}{v} \right) + r_1^2 \left[ 1.57 - \arctan \left( \frac{u}{v} \right) \right] - uv \right\}$  Equation 2.5

Box  
Sections  $W_f = 0.43 (B_i \times D_i)$  Equation 2.6



## 2.3 Earth Loads

Earth load in lbs/ft is determined by multiplying the weight of the earth prism load above the extremities of the inlet by a soil-structure interaction factor,  $F_e$ . The following equation applies when  $B_o$  is in inches,  $H_e$  is in feet and  $\gamma_s$  is in lbs/cu. ft.

$$W_e = F_e \gamma_s B_o H_e / 12 \quad \text{Equation 2.7a}$$

For pipe under deep fill, the earth load due to the backfill between the springline and crown is generally ignored, and [Equation 2.7a](#) can be used, to compute the total load. However, for pipe inlets, which are under relatively low heights of fill, this load makes up a substantial part of the total load, and [Equation 2.7b](#) is more appropriate. Units are the same as for [Equation 2.7a](#),  $D_o$  is in inches.

$$W_e = F_e \gamma_s B_o (H_e + D_o / 72) / 12 \quad \text{Equation 2.7b}$$

$F_e$  represents the ratio of the earth load on the culvert to the earth prism load, and may be determined by the Marston-Spangler theory of earth loads on pipe (2, 3) or the approximations presented below may be used.

Equations that may be used to locate culverts within embankments and determine the height of fill over design sections are presented in [Appendix F](#).

---

### 2.3.1 Soil Structure Interaction Factor for Rigid Culverts

When rigid conduits are installed with compacted sidefill they are subject to less load than when the sidefill is loosely installed. This is because the compacted sidefill is relatively stiff and can carry more load, resulting in less "negative arching" of the earth load onto the culvert. Other factors which affect the load on a conduit include trench width, if applicable, burial depth to span ratio and soil type. Since inlet structures are generally short relative to the culvert barrel, and since they are typically under very low fill heights, it is recommended that conservative values be used for the soil structure interaction factor. Suggested values are 1.2 for sections installed with compacted sidefill, and 1.5 for sections installed with loose sidefill.

For box culverts, 1981 AASHTO Standard Specifications for Highway Bridges (4) (abbreviated as AASHTO in the following text) allow the use of  $F_e = 1.0$ , but some recently completed soil structure interaction studies (5) indicate that this may be unconservative. Use of the above values is recommended for both reinforced concrete pipe and box sections.

---

### 2.3.2 Flexible Culverts

For flexible metal culverts, AASHTO allows  $F_e$  to be taken equal to 1.0 for both trench and embankment installations; however, like box culverts, current research indicates that flexible metal culverts carry a load that is greater than the earth prism load. Estimates of the actual  $F_e$  are as high as 1.3 (6).

---

### 2.3.3 Other Installations

Various methods may be used to reduce the loads on culverts in embankment and trench installations, including negative projection and induced trench (2, 3). The loads for such installations may also be determined by accepted methods based on tests, soil-structure interaction analyses (generally by finite element methods), or previous experience. However, these installation methods generally are used only for deep burial conditions and thus are not relevant to inlet designs.

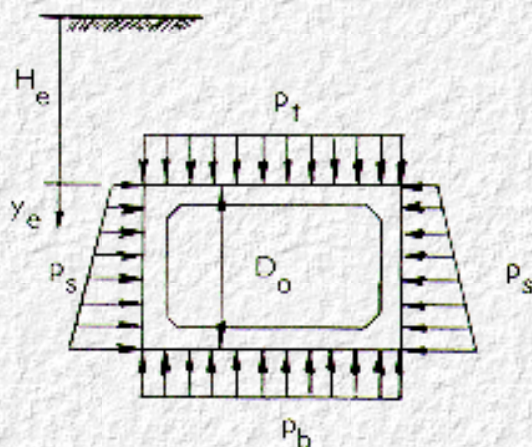
## 2.4 Construction Loads

Inlet structures included in this manual will not normally be subjected to highway loads, but may be loaded by miscellaneous construction or maintenance equipment, such as bulldozers and mowing machines. A uniformly distributed load equal to at least 240 lbs/sq. ft. is recommended for this condition. This is the equivalent of 2 ft. of 120 lbs per cu. ft. earth. This minimum surcharge is recommended only to account for random unanticipated loads. Any significant expected loads should be specifically considered in design.

## 2.5 Distribution of Earth Pressures on Culvert

### 2.5.1 Rigid Culverts

Earth pressures are distributed around various rigid culvert types as shown in [Figure 2-1](#).



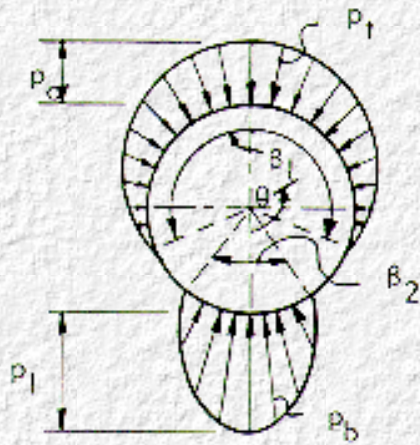
a. Box Culverts

$$p_t = p_b = F_e \gamma_s H_e \quad \text{Equation 2.8}$$

$$p_s = \alpha \gamma_s (H_e + y_e) \quad \text{Equation 2.9a}$$

or approximately

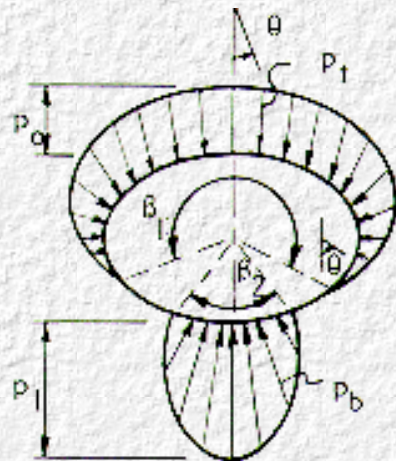
$$p_s = \alpha \gamma_s \left( H_e + \frac{D_o}{2} \right) \quad \text{Equation 2.9b}$$



$$p_t = p_0 \cos \frac{2\pi}{\beta_1} (\pi - \theta) \quad \text{Equation 2.10}$$

$$p_b = p_1 \cos \frac{2\pi\theta}{\beta_2} \quad \text{Equation 2.11}$$

b. Circular Sections



c. Elliptical Sections

$p_t$  and  $p_b$  from [Equation 2.10](#) and [Equation 2.11](#) above

See Notations sections for definition of  $\theta$  for elliptical sections.

### Figure 2-1. Distribution of Earth Pressure on Culverts

For box culverts, earth pressures are assumed uniformly distributed over the top and bottom of the culvert, and with linear variation with depth along the sides, as shown in [Figure 2-1](#). Sometimes, especially for simplified hand analysis, the lateral pressure is assumed uniform over the culvert height. A lateral pressure coefficient,  $\alpha = 0.25$ , is recommended in AASHTO for rigid culverts. However, because of variations in installation conditions a more rational and conservative design is obtained by designing for maximum stress resultants produced by the range of a values between 0.25 and 0.50.

Suggested pressure distributions for circular and elliptical rigid pipe are presented in [Figures 2-1b and 2-1c](#). These distributions consist of a radially applied earth pressure over a specified load angle,  $\beta_1$ , at the top of the pipe, and a radially applied bedding pressure over a specified bedding angle,  $\beta_2$ , at the bottom of the pipe. This pressure distribution is based on the work of Olander (7). Olander proposed that the load and bedding angles always add up to 360 degrees; however, this results in increased lateral pressure on the

sides of the pipe as the bedding angle,  $\beta_2$ , decreases. This is not consistent with expected behavior, and results in unconservative designs for narrow bedding angles. In view of this, the load angle should be limited to a maximum of 240 degrees. This limitation should apply even in cases where the bedding and load angles do not add up to 360 degrees, as is shown in [Figure 2-1b](#).

The same system for distribution of earth pressure can also be used for elliptical pipe, as shown in [Figure 2-1c](#). The earth pressure is always applied normal to the curved segments that make up the elliptical section, that is, radial to the center of curvature of the particular segment.

---

## 2.5.2 Flexible Culverts

The distribution of earth pressure on a flexible metal culvert tends to be a fairly uniform radial pressure, since the pipe readily deforms under load, and can mobilize earth pressures at the sides to help resist vertical loads. No pressure distribution is shown here, however, since metal culvert design is done by semi-empirical methods and typically a specific pressure distribution need not be assumed by the designer.

---

[Go to Chapter 3](#)



# Chapter 3 : FHWA-IP-83-6

## Manual Methods for Structural Analysis

[Go to Chapter 4](#)

Given the load and distributions of [Chapter 2](#), any method of elastic structural analysis may be used to determine the moments, thrusts, and shears at critical locations in the structure. The structural analysis and design of culverts can be completed very efficiently by computer. Computer programs are presented in [Chapter 5](#) for analysis and design of reinforced concrete single cell box culverts, and circular and elliptical pipe culverts. The methods discussed below are appropriate for hand analysis, or are readily programmable for a hand-held calculator.

None of the computer or hand analysis methods presented in this manual account for effects of variation in wall stiffness caused by cracking. This is consistent with current general reinforced concrete design practice. The reduction in stiffness produced by cracking becomes more significant when soil-structure interaction is considered, using finite element models of the pipe-soil system. Models that account for such changes in stiffness have been developed and correlated with test results, but currently these are only being used for research on the behavior of buried conduits.

### 3.1 Reinforced Concrete Box Sections

The first step in box section design is to select trapezoidal wall haunch dimensions. Typically haunches are at an angle of 45°, and the dimensions are taken equal to the top slab thickness. After these dimensions are estimated, the section can then be analyzed as a rigid frame, and moment distribution is often used for this purpose. A simplified moment distribution was developed by AREA (8) for box culverts under railroads. Modifications of these equations are reproduced in [Table 3-1](#) and [Table 3-2](#) for one and two cell box culverts respectively. This analysis is based on the following assumptions.

- The lateral pressure is assumed to be uniform, rather than to vary with depth
- The top and bottom slabs are assumed to be of equal thickness, as are the side walls.
- Only boxes with "Standard" haunches or without haunches can be considered. Standard haunches have horizontal and vertical dimensions equal to the top slab thickness.
- The section is assumed doubly symmetrical, thus separate moments and shears are not calculated for the top and bottom slabs, since these are nearly identical.

**Table 3-1. Design Forces in Single Cell Box Culverts**

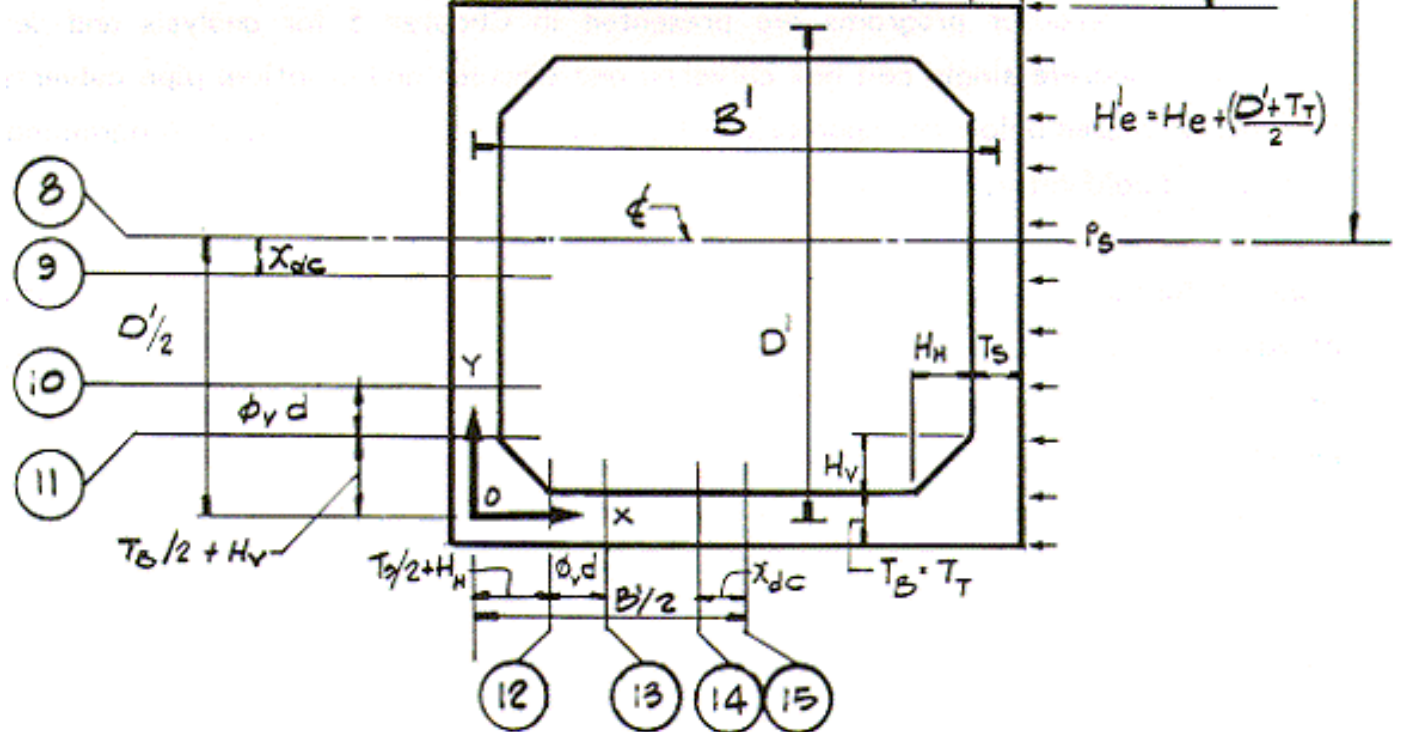
--

Flexure Design Sections: 8, 11, 12, 15

Shear Design Sections:

Method 1: 10, 13

Method 2: 9, 10, 13, 14



### Design Pressures

$$P_v = \gamma_s H_e F_e + \gamma_c T_T + 2\gamma_c D' T_S / B'$$

Equation 3.1

$$P_{s \max} = \alpha_{\max} \gamma_s H'_e$$

Equation 3.2

$$P_{s \min} = \alpha_{\min} \gamma_s H'_e - \gamma_f \frac{(D' - T_T)^2}{2D'}$$

Equation 3.3

### Design Constants

$$G_1 = \frac{T^3 D'}{T_S^3 B'}$$

Equation 3.4

$G_2 = \frac{9H_H^5}{D'B'T_S^3} \left( 1 - \frac{T_T}{D'} \right)$		Equation 3.5
$G_3 = \frac{2H_H^3}{B'} \left( \frac{1}{T_T^2} + \frac{T_T}{T_S^3} \right)$	For boxes with no haunches ( $H_H = H_V = 0$ ) $G_2 = G_3 = G_4 = 0$	Equation 3.6
$G_4 = \frac{6H_H}{B'} \left( 1.02 - \frac{3T_T}{B'} + \frac{T_T^3}{T_S^3} \right)$		Equation 3.7

### Design Moments

Moment @ origin:

$$\begin{Bmatrix} M_{o \max} \\ M_{o \min} \end{Bmatrix} = -\frac{p_v B'^2}{12} \left( \frac{1 - 1.5G_3 + 0.5G_4}{1 + G_1 - G_3} \right) - \begin{Bmatrix} p_{s \max} \\ p_{s \min} \end{Bmatrix}^* \left[ \frac{D'^2}{12} \left( \frac{G_1 - G_2}{1 + G_1 - G_3} \right) \right]$$

Equation 3.8

Moment in top and bottom slab:

$$M_b(x) = \begin{Bmatrix} M_{o \max} \\ M_{o \min} \end{Bmatrix}^* + 0.5p_v x(B' - x)$$

Equation 3.9

Moment in sidewall:

$$M_s(y) = \begin{Bmatrix} M_{o \max} \\ M_{o \min} \end{Bmatrix}^* + \begin{Bmatrix} p_{s \max} \\ p_{s \min} \end{Bmatrix}^* 0.5y(D' - y)$$

Equation 3.10

### Design Shears

Shear in top and bottom slab:

$$V_b(x) = p_v \left( \frac{B'}{2} - x \right)$$

Equation 3.11

Shear in sidewall:

$$V_s(y) = p_{s \max} \left( \frac{D'}{2} - y \right)$$

Equation 3.12

### Design Thrusts

Thrusts in bottom slab:	$\begin{Bmatrix} N_{b \max} \\ N_{b \min} \end{Bmatrix} = \begin{Bmatrix} p_{s \max} \\ p_{s \min} \end{Bmatrix} \frac{D'}{2}$	Equation 3.13
Thrust in sidewall:	$N_s = \frac{p_v B'}{2}$	Equation 3.14

\*Use  $p_{s \max}$  or  $p_{s \min}$  as follows:

- Locations 8, 9 and 10 use  $p_{s \max}$  only.
- Locations 11, 12 and 13 check both  $p_{s \max}$  and  $p_{s \min}$  for governing case.
- Locations 14 and 15 use  $p_{s \min}$  only.

Notes:

1. Analysis is for boxes with standard haunches ( $H_H = H_V = T_T$ ).
2. Equations may be used to analyze box sections with no haunches by setting  $G_2 = G_3 = G_4 = 0.0$ .
3. See [Equation 4.22](#) for determination of  $x_{dc}$ .
4. If  $M_8$  is negative use  $A_{s \min}$  for sidewall inside reinforcing, and do not check shear at [Section 9](#).

Table 3-2. Design Force in Two Cell Box Culverts

<p>Flexure Design Sections: 8, 11, 12, 15, 18</p> <p>Shear Design Sections Method 1: 10, 17 Method 2: 9, 10, 16, 17</p> <p><math>H_e = H_e + \frac{D' T_T}{2}</math></p>	<p>Symm. about <math>d</math></p> <p><math>H_e</math></p> <p><math>p_v</math></p> <p><math>T_T</math></p> <p><math>p_s</math></p> <p><math>B'</math></p> <p><math>T_s</math></p> <p><math>D'</math></p> <p><math>T_c</math></p> <p><math>T_b</math></p> <p><math>\gamma</math></p> <p><math>x_{dc}</math></p> <p><math>\phi_v d</math></p> <p><math>\frac{T_s}{2} + H_v</math></p> <p><math>\frac{T_s}{2} + H_H</math></p> <p><math>N_{s \min}</math></p> <p><math>B' \frac{T_c}{2} - H_H</math></p> <p>8</p> <p>9</p> <p>10</p> <p>11</p> <p>12</p> <p>13</p> <p>14</p> <p>15</p> <p>16</p> <p>17</p> <p>18</p>
<b>Design Pressures</b>	
$p_v = \gamma_s H_e F_e + \gamma_c T_T + \frac{\gamma_c D' (T_s + 0.5 T_c)}{B'}$	Equation 3.15
$p_{s \max} = \alpha_{\max} \gamma_s H'_e$	Equation 3.16



$$P_{smin} = \alpha_{min} \gamma_s H'_e - \gamma_f \frac{(D' - T_T)^2}{2D'}$$

Equation 3.17

### Geometry Constants

$$F_1 = \frac{B'^2}{T^2} \left( \frac{B'}{3T} - 1 \right) + \frac{3}{2} \left( \frac{B'}{T} - 1 \right)$$

Equation 3.18

$$F_2 = \frac{1}{T^3} \left( \frac{D'}{2} + B' \right) - \frac{3}{T^2}$$

Equation 3.19

$$F_3 = \frac{B'}{T^2} \left( \frac{B'}{2T} + 1 \right)$$

For boxes with standard haunches

Equation 3.20

$$F_4 = \frac{B'^3}{T^3} - \frac{4B'^2}{T^2} + \frac{9B'}{T} - 9$$

Equation 3.21

$$F_5 = \frac{D'}{2T^3} - \frac{9}{T^2} + \frac{9}{D'T} - \frac{9}{D'^2} + \frac{3B'}{T^3}$$

Equation 3.22

$$F_6 = \frac{T^3 D'}{T_s^3 B'}$$

For boxes without haunches

Equation 3.23

### Design Moments

Moments at Origin:

$$\begin{cases} M_{o \max} \\ M_{o \min} \end{cases} = M_{ov} + \begin{cases} M_{os \max} \\ M_{os \min} \end{cases}$$

Equation 3.24

Boxes with standard haunches and uniform wall thickness ( $H_H=H_V=T_T=T_S=T_B$ ):

$$M_{ov} = -\frac{P_v}{8} \left( \frac{B'F_4F_3 - 4F_1^2}{F_2F_1 - F_3^2} \right)$$

Equation 3.25a

$$\begin{cases} M_{os \max} \\ M_{os \min} \end{cases} = \begin{cases} P_{s \max} \\ P_{s \min} \end{cases}^* \frac{D'^2}{8} \left( \frac{F_5F_1 - 3F_3^2}{3(F_2F_1 - F_3^2)} - 1 \right)$$

Equation 3.26a

Boxes without haunches ( $H_H=H_V=0, T_T=T_B \neq T_S$ ):

$$M_{ov} = \frac{P_v B'^2}{12} \left( \frac{1}{1 + 2F_6} \right)$$

Equation 3.25b

$$\begin{cases} M_{os \max} \\ M_{os \min} \end{cases} = -\begin{cases} P_{s \max} \\ P_{s \min} \end{cases}^* \frac{D'^2}{6} \left( \frac{F_3}{1 + F_6} \right)$$

Equation 3.26b

Moment on bottom slab:

$$M_b(x) = \begin{Bmatrix} M_{o \max} \\ M_{o \min} \end{Bmatrix}^* - 0.5p_v x^2 + \begin{Bmatrix} N_{s \max} \\ N_{s \min} \end{Bmatrix}^* x$$

Equation 3.27

Moment in sidewall:

$$M_s(y) = \begin{Bmatrix} M_{o \max} \\ M_{o \min} \end{Bmatrix}^* + \begin{Bmatrix} P_{s \max} \\ P_{s \min} \end{Bmatrix}^* 0.5y(D'-y)$$

Equation 3.28

### Design Shears

Shear on bottom slab:

$$V_b(x) = N_{s \min} + p_v x$$

Equation 3.29

Shear in sidewall:

$$V_s(y) = p_{s \max} \left( \frac{D'}{2} - y \right)$$

Equation 3.30

### Design Thrusts

Thrust in bottom slab:

$$\begin{Bmatrix} N_{b \max} \\ N_{b \min} \end{Bmatrix} = \begin{Bmatrix} p_{s \max} \\ p_{s \min} \end{Bmatrix} \frac{D'}{2}$$

Equation 3.31

Thrust in side slab; boxes with haunches:

$$\begin{Bmatrix} N_{b \max} \\ N_{b \min} \end{Bmatrix} = \frac{0.5p_v F_1 + M_{ov} F_2}{F_3} - \begin{Bmatrix} M_{os \max} \\ M_{os \min} \end{Bmatrix}^* \frac{F_3}{F_1}$$

Equation 3.32a

Thrust in side slab, boxes without haunches:

$$\begin{Bmatrix} N_{b \max} \\ N_{b \min} \end{Bmatrix} = \frac{p_v B'}{4} \left( \frac{2 + 3F_6}{1 + 2F_6} \right) + \begin{Bmatrix} p_{s \max} \\ p_{s \min} \end{Bmatrix} \frac{D'^2}{4B'} \left( \frac{F_6}{1 + 2F_6} \right)$$

Equation 3.32b

\*Use  $p_{s \max}$  or  $p_{s \min}$  as follows:

- Locations 8, 9 and 10 use  $p_{s \max}$  only.
- Locations 11, 12 and 13 check both  $p_{s \max}$  and  $p_{s \min}$  for governing case.
- Locations 14 and 15 use  $p_{s \min}$  only.

Notes:

1. For boxes with standard haunches and all walls of the same thickness ( $H_H=H_V=T_T=T_S=T_B$ ) use [Equation 3.25a](#), [Equation 3.26a](#) and [Equation 3.32a](#).
2. For boxes with no haunches and side walls with the amw or different thickness than the top and bottom slabs ( $H_H=H_V=0$ , and  $T_T=T_B \neq T_S$ ) use [Equation 3.25b](#), [Equation 3.26b](#), and [Equation 3.32b](#).
3. See [Equation 4.22](#) for determination of  $x_{dc}$ .
4. If  $M_g$  is negative, use  $A_{s \min}$  for sidewall inside reinforcing, and do not check shear at [Section 9](#).
5. Geometry constants F1 through F5 are not required for boxes without haunches.

The equations cover the load cases of earth, dead and internal fluid loads. Any one of these cases can be dropped by setting the appropriate unit weight (soil, concrete or fluid) to zero when computing the design pressures  $p_v$  and  $p_s$ .

The equations provide moments, shears and thrusts at design sections. These design forces can then be used in the design equations presented in [Chapter 4](#) to size the reinforcing based on the assumed geometry.

---

## 3.2 Rigid Pipe Sections

Using the coefficients presented in [Figures 3-1 through 3-6](#), the following equations may be used to determine moments, thrusts and shears in the pipe due to earth, pipe and internal fluid loads:

$$M = (c_{m1} W_e + c_{m2} W_p + c_{m3} W_f) B'/2 \quad \text{Equation 3.33}$$

$$N = c_{n1} W_e + c_{n2} W_p + c_{n3} W_f \quad \text{Equation 3.34}$$

$$V = c_{v1} W_e + c_{v2} W_p + c_{v3} W_f \quad \text{Equation 3.35}$$

[Figure 3-1](#) provides coefficients for earth load analysis of circular pipe with 3 loading conditions  $\beta_1 = 90^\circ$ ,  $120^\circ$  and  $180^\circ$ . In all cases,  $\beta_2 = 360^\circ - \beta_1$ . These load conditions are normally referenced by the bedding angle,  $\beta_2$ . The  $120^\circ$  and  $90^\circ$  bedding cases correspond approximately with the traditional Class B and Class C bedding conditions (2, 3). These coefficients should only be used when the sidefill is compacted during installation. Compacting the sidefill allows the development of the beneficial lateral pressures assumed in the analysis. If the sidefills are not compacted (this is not recommended), then a new analysis should be completed using the computer program described in [Section 5.2](#) with reduced load angles,  $\beta_1$ .

[Figure 3-2](#), [Figure 3-3](#), and [Figure 3-4](#) provide coefficients for earth load analysis of elliptical pipe having various ratios of span to rise ( $B'/D'$ ) and offset distances ( $u/v$ ). Coefficients for two bedding conditions are provided, corresponding to traditional Class B and Class C bedding conditions (2). These coefficients also should only be used for pipe installed with compacted sidefill. Coefficients for other  $B'/D'$  and  $u/v$  ratios may be obtained by interpolation between coefficients for the given ratios.

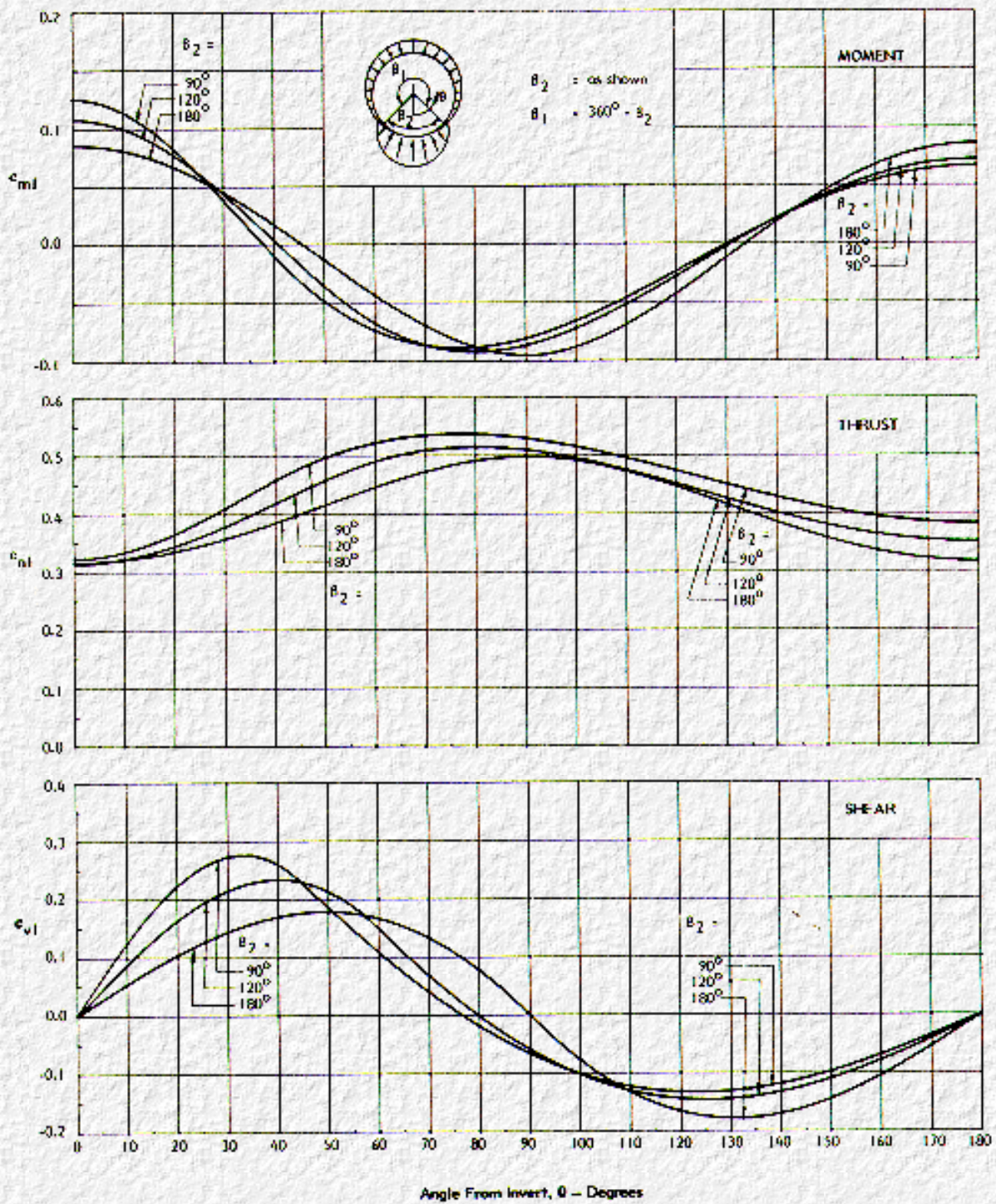


Figure 3-1. Coefficients for M, N, and V due to Earth Load on Circular Pipe

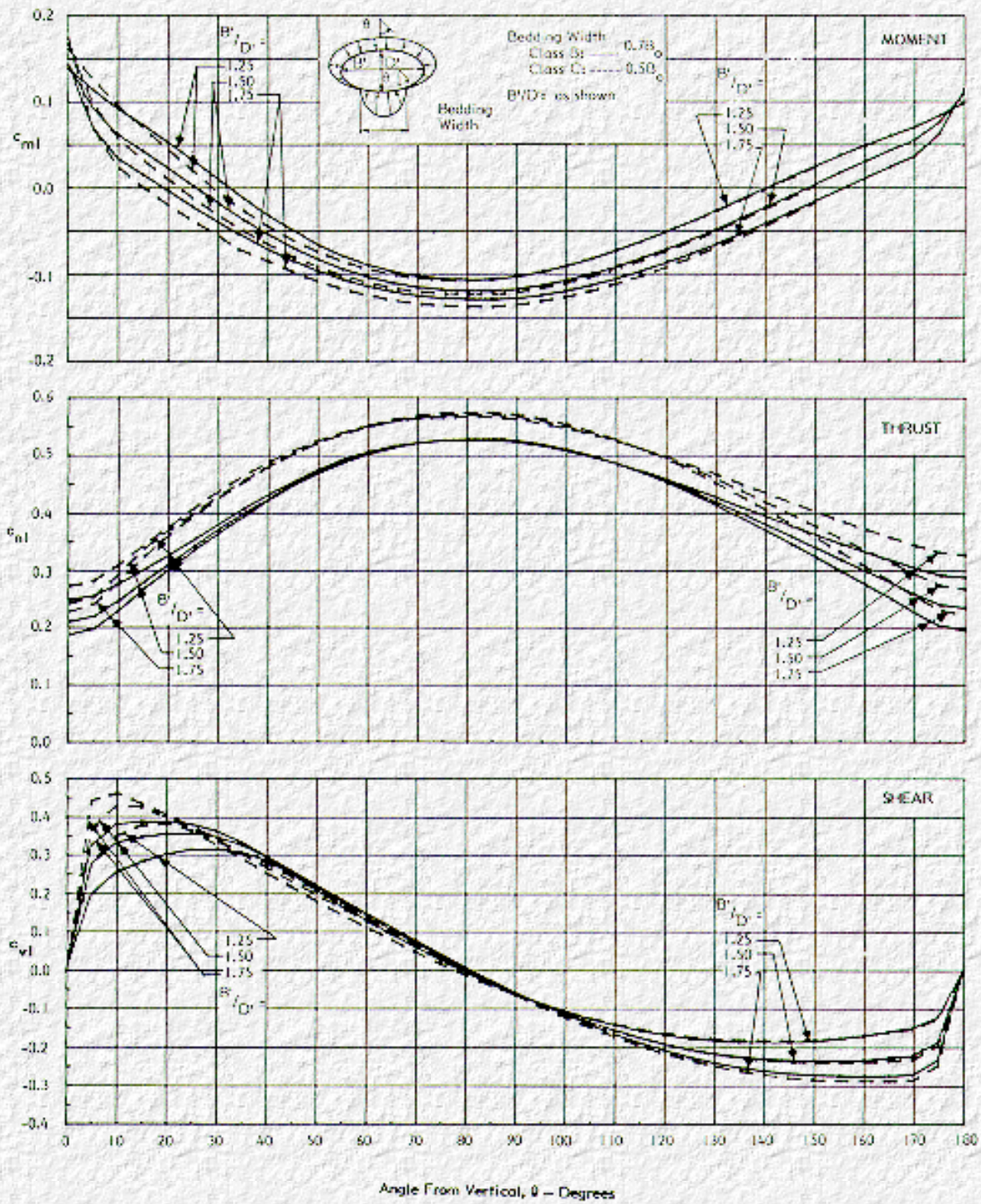


Figure 3-2. Coefficients for M, N, and V due to Earth Load on Elliptical Pipe with  $U/V = 0.1$

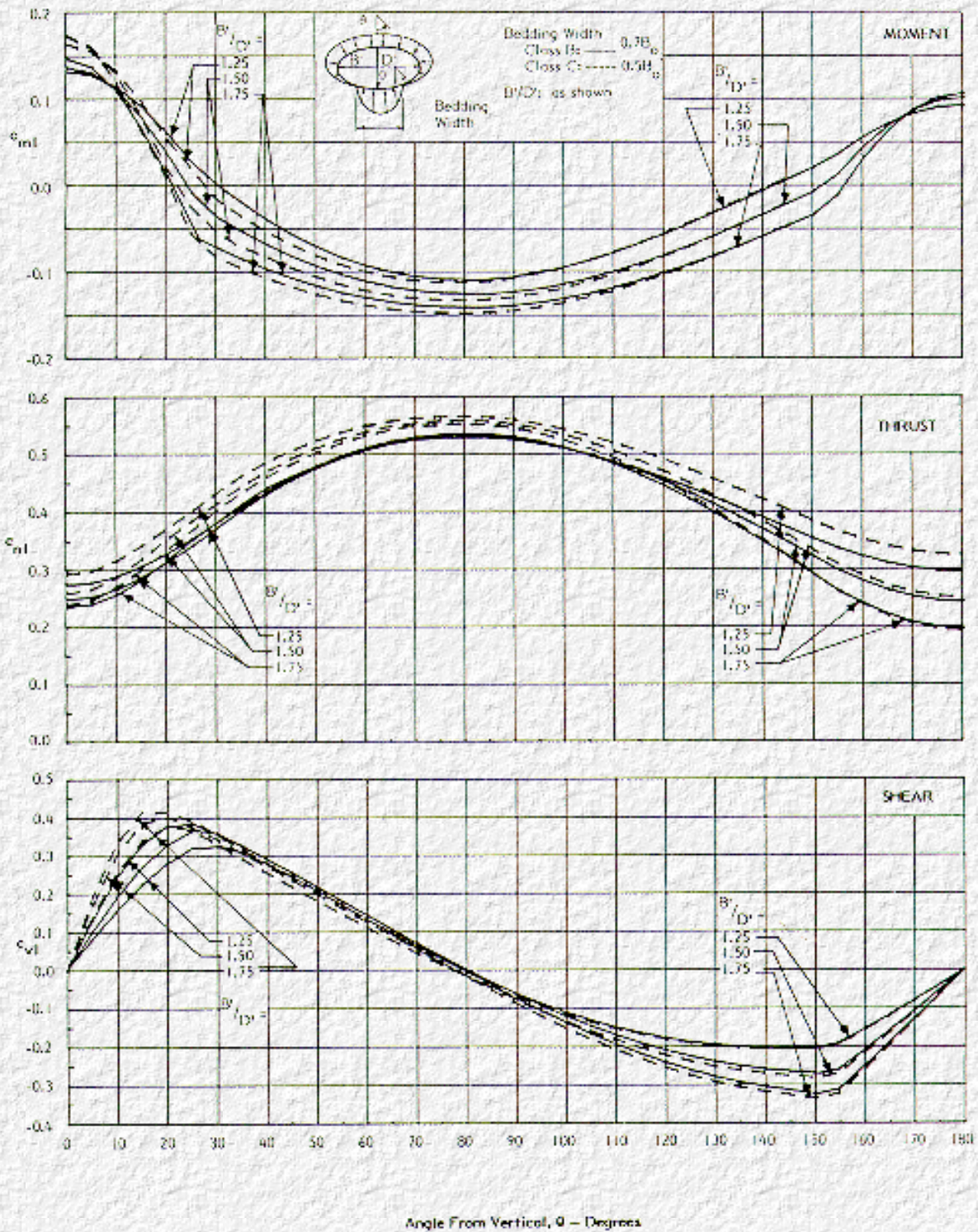


Figure 3-3. Coefficients of M, N and V due to Earth Load on Elliptical Pipe with  $U/V = 0.5$

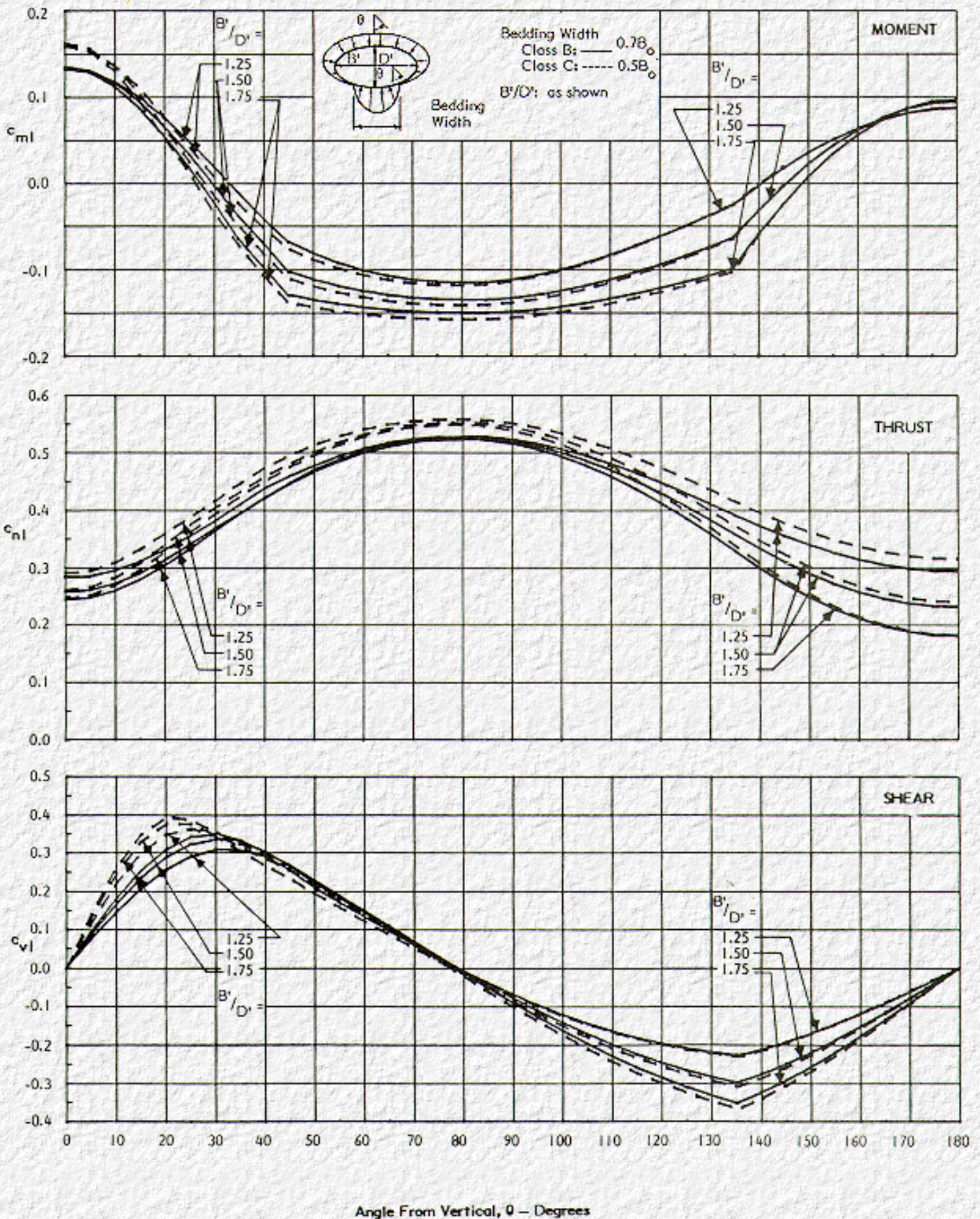


Figure 3-4. Coefficients or M, N and V due to Earth Load on Elliptical Pipe with  $U/V = 1.0$

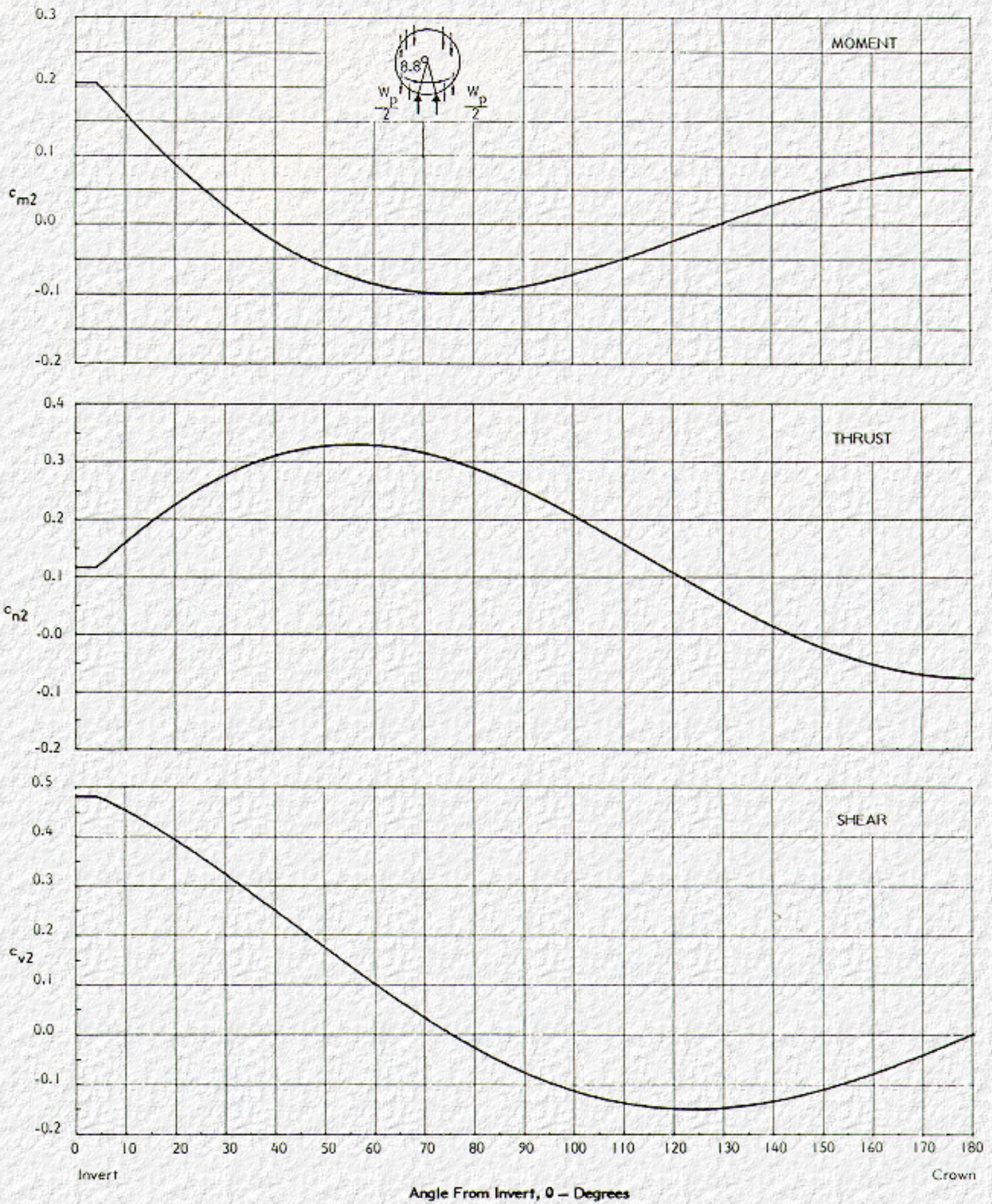
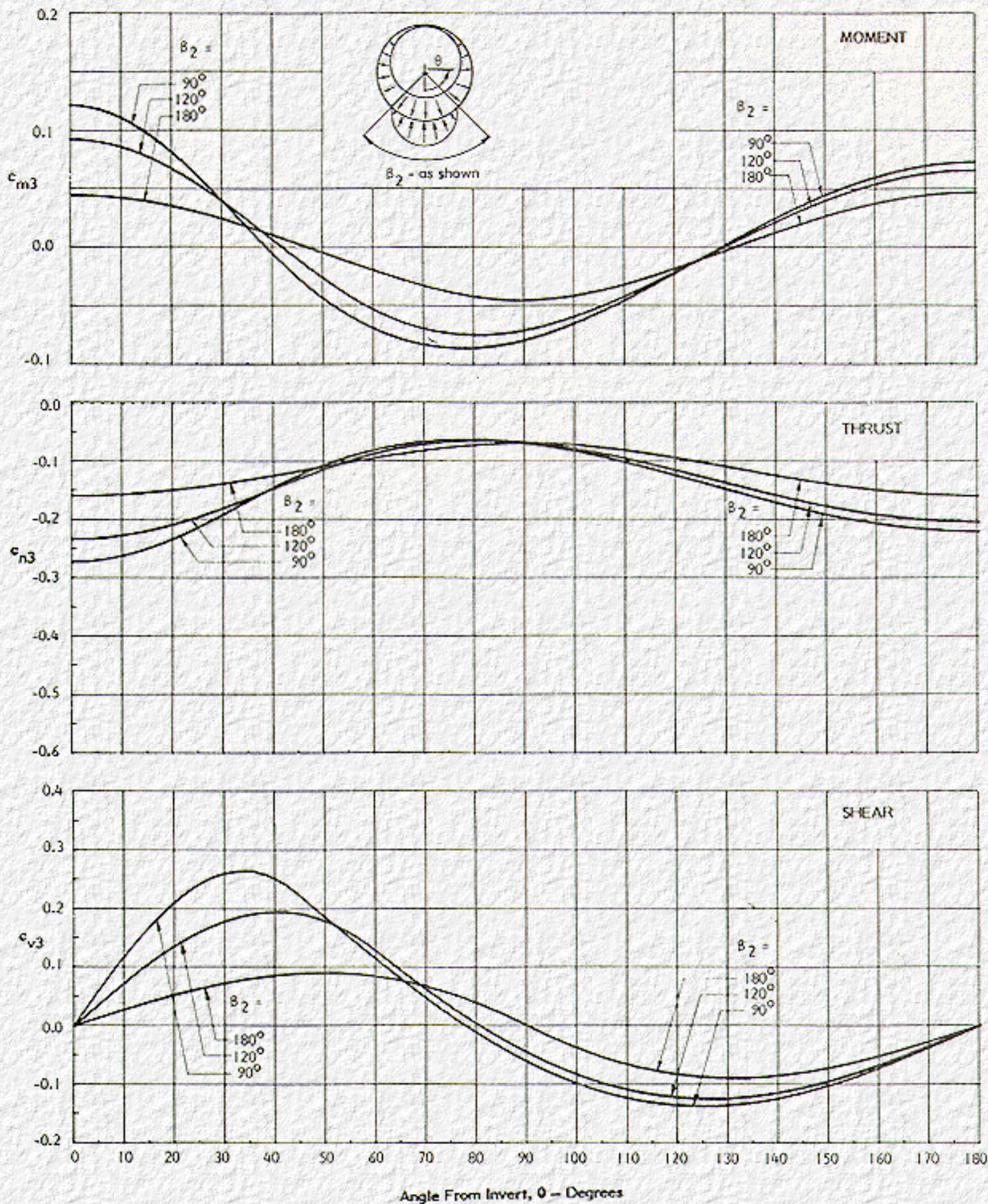


Figure 3-5. Coefficients of M, N and V due to Pipe Weight on Narrow Support





**Figure 3-6. Coefficients of M, N and V due to Water Load on Circular Pipe**

Figure 3-5 provides coefficients for dead load analysis of circular pipe. These coefficients represent a

narrow bedding condition, since concrete pipe are generally installed on a flat bedding. [Figure 3-6](#) provides coefficients for water load analysis of circular pipe. The coefficients in [Figure 3-5](#) and [Figure 3-6](#) can also be used to approximate the moments, thrusts and shears in elliptical pipe of equal span for these two less critical types of load.

---

### **3.3 Flexible Pipe Sections**

Flexible pipe culverts are typically designed by semi-empirical methods which have been in use for many years. Design by these methods does not include a structural analysis per se, since the analysis is generally implicit in the design equations. The current AASHTO design/analysis methods for corrugated metal pipe are presented in [Appendix A](#).

For large or unusual structures, including inlets, most manufacturers offer special modifications to corrugated metal culverts to improve the structural behavior. These modifications are usually proprietary, and designers should consult with the manufacturers before completing detailed designs.

---

[Go to Chapter 4](#)



# Chapter 4 : FHWA-IP-83-6

## Structural Design of Inlet Structures

[Go to Chapter 5](#)

---

Structural design of reinforced concrete culvert and inlet structures is quite different than design for corrugated metal structures. For reinforced concrete inlets, the designer typically selects a trial wall thickness and then sizes the reinforcing to meet the design requirements. For precast structures the trial wall thickness is normally limited to standard wall thicknesses established in material specifications such as ASTM C76, C655 and C789 (AASHTO M170, M242 and M259). For corrugated metal structures, the designer typically selects a standard wall thickness and corrugation type that provide the required ring compression and seam strength, and the required stiffness to resist buckling and installation loads.

The design approach suggested herein is to treat inlet structures, that have varying cross sections, as a series of slices that behave as typical culvert sections. Representative slices along the length of the inlet are selected for design. The face and throat sections and one or more additional slices are usually included. For reinforced concrete structures, either the reinforcement design for the maximum condition is used for the entire inlet, or several bands of reinforcement whose requirements are interpolated from the several "slice" designs are used for the actual structure. For corrugated metal structures, the structure requirements are usually based on the maximum condition. This approach is illustrated in the example problems in [Appendix D](#). Special considerations required for slope tapered inlets ([Figure 1-3](#)) are discussed in [Section 4.1.6](#).

---

### 4.1 Reinforced Concrete Design

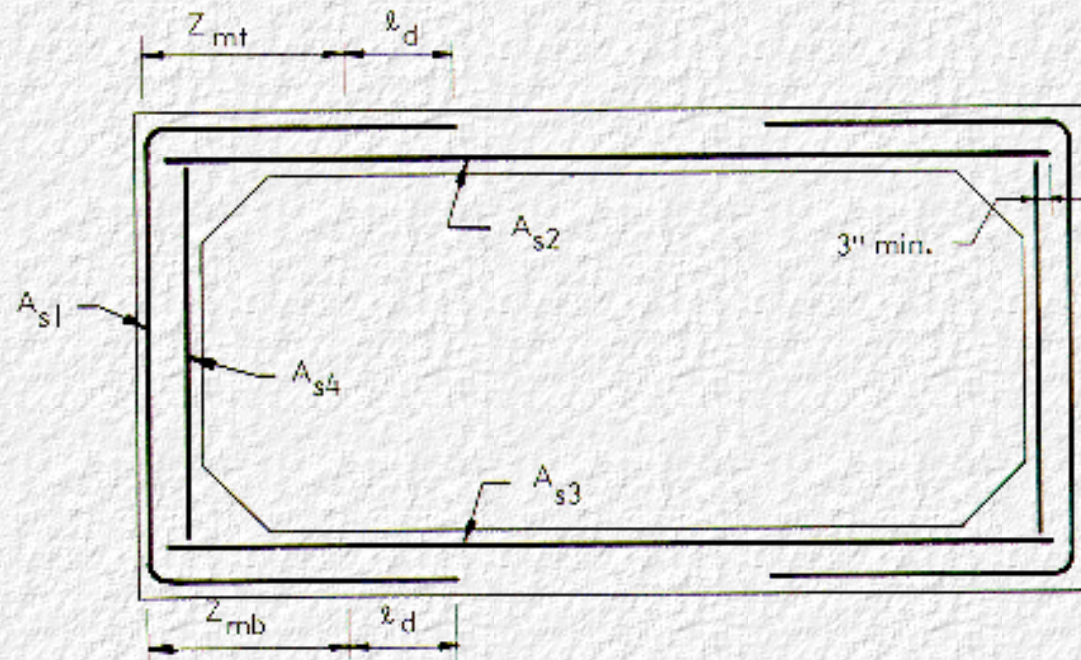
The method for the design of reinforced concrete pipe and box sections presented below was recently adopted by the American Concrete Pipe Association and has been recommended by the AASHTO Rigid Culvert Liaison Committee for adoption by the AASHTO Bridge Committee. This design method provides a set of equations for sizing the main circumferential reinforcing in a buried reinforced concrete culvert. For additional criteria, such as temperature reinforcing in monolithic structures, the designer should refer to the appropriate sections of AASHTO (4).

Typically, the design process involves a determination of reinforcement area for strength and crack control at various governing locations in a slice and checks for shear strength and certain reinforcement limits.

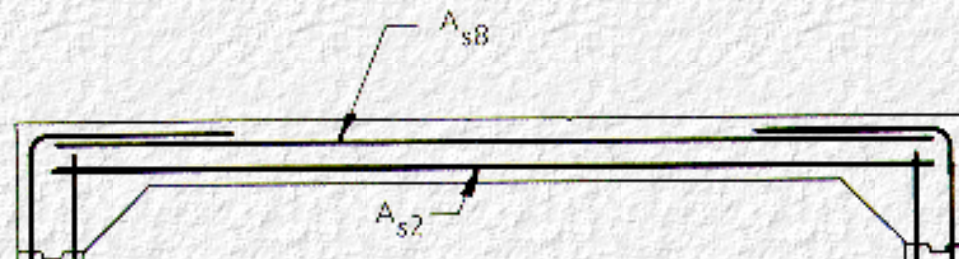
The number and location of sections at which designers must size and reinforce and check shear strength will vary with the shape of the cross section and the reinforcing scheme used. [Figure 4-1](#). shows typical reinforcing schemes for precast and cast-in-place one cell box sections. The design sections for these schemes are shown in [Figure 4-2](#). For flexural design of

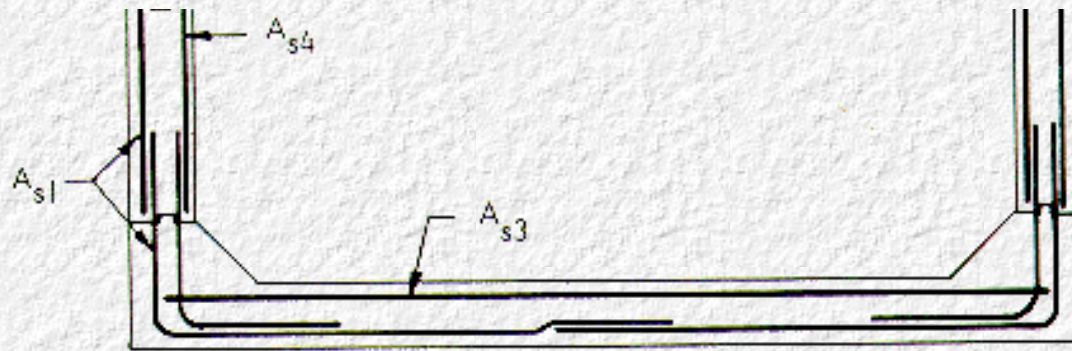
box sections with typical geometry and load conditions, Locations 1, 8, and 15 will be positive moment design locations (tension on inside) and locations 4, 5, 11, and 12 will be negative moment design locations. Shear design is by two methods; one is relatively simple, and requires checking locations 3, 6, 10 and 13 which are located at a distance  $d$  from the tip of haunches. the second method is slightly more complex and requires checking locations 2, 7, 9, and 14 which are where the  $M/Vd$  ratio 3.0 and locations 3,6, 10 and 13 which are located at a distance  $vd$  from the tip of haunches. the design methods will be discussed in subsequent sections. Typical reinforcing schemes and design locations for two cell box sections are shown in [Figure 4-3](#).

A typical reinforcing layout and typical design sections for pipe are shown in [Figure 4-4](#). Pipes have three flexure design locations and two shear design locations. [Figure 4-4](#) is also applicable to elliptical sections.



a. Precast box sections

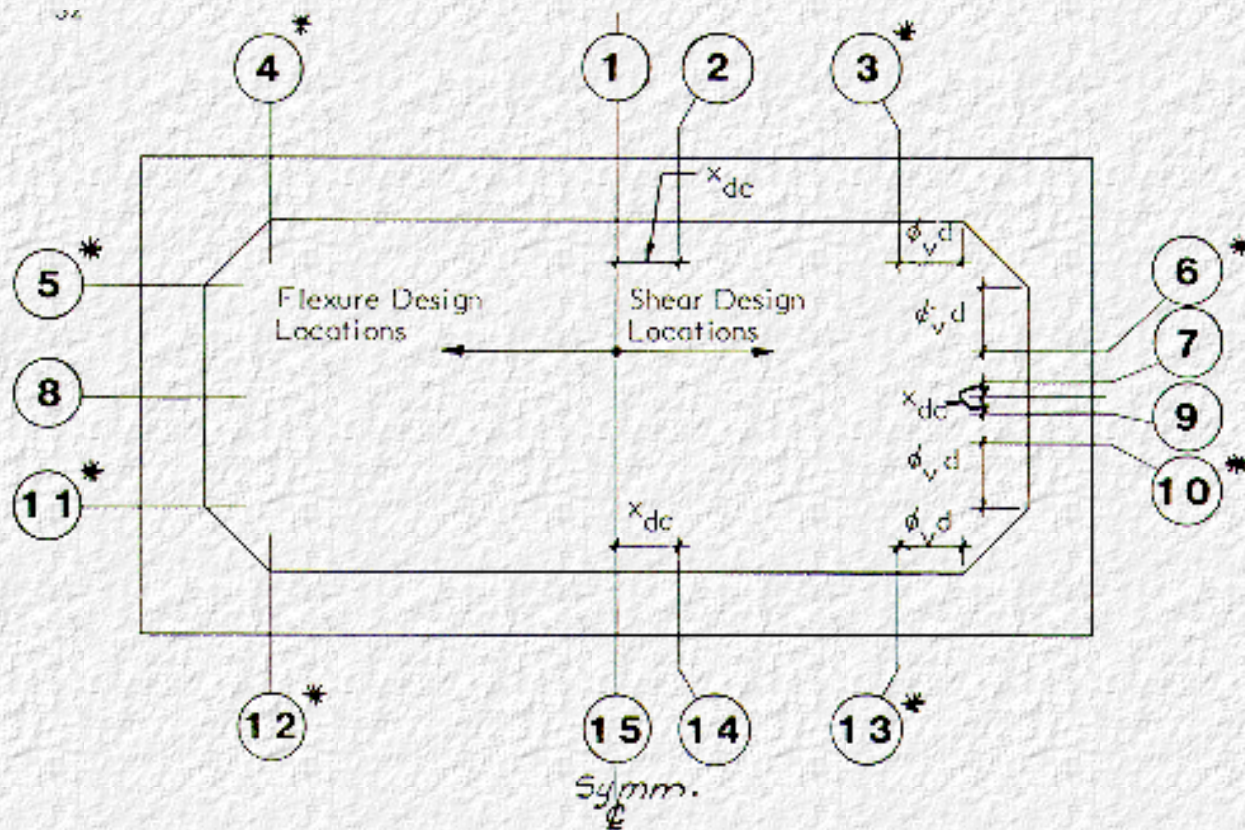




b. Cast-in-place box sections

Note: Reinforcing Designations Correspond To Those Used In ASTM C789 And C850

Figure 4-1. Typical Reinforcing Layout for Single Cell Box Culverts



Flexure Design Locations :

<u>Steel Area</u>	<u>Precast</u>	<u>Cast-In-Place</u>
$A_{s1}$	4, 5, 11, 12	5, 11, 12
$A_{s2}$	1	1
$A_{s3}$	15	15
$A_{s4}$	8	8
$A_{s8}$	-	4

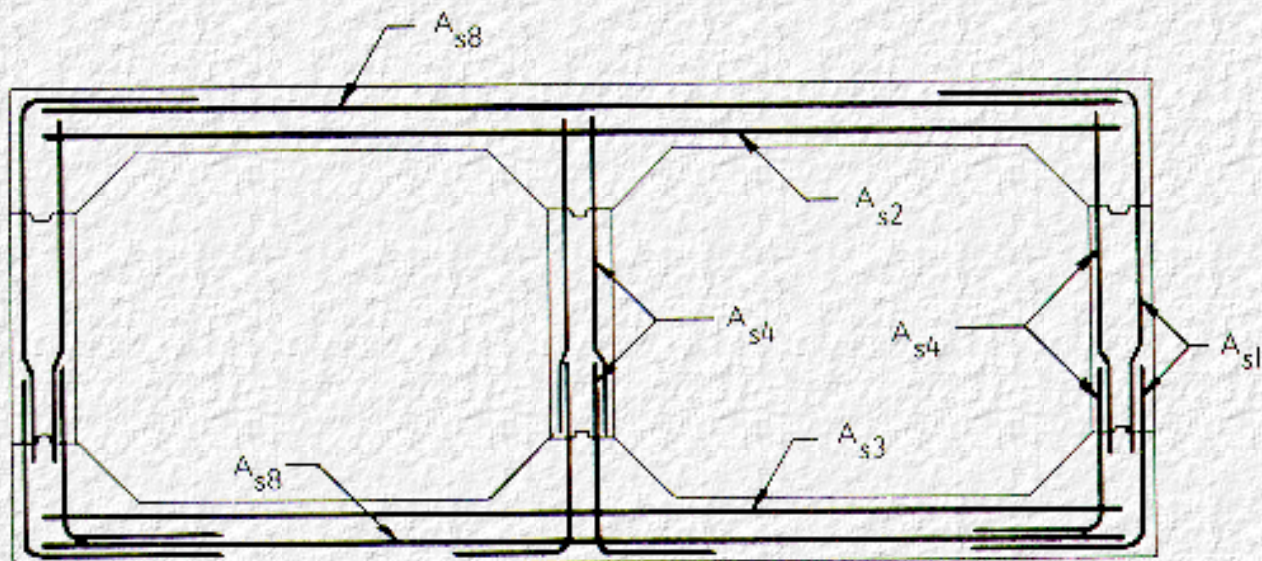
Shear Design Locations :

Method 1: 3, 6, 10, 13

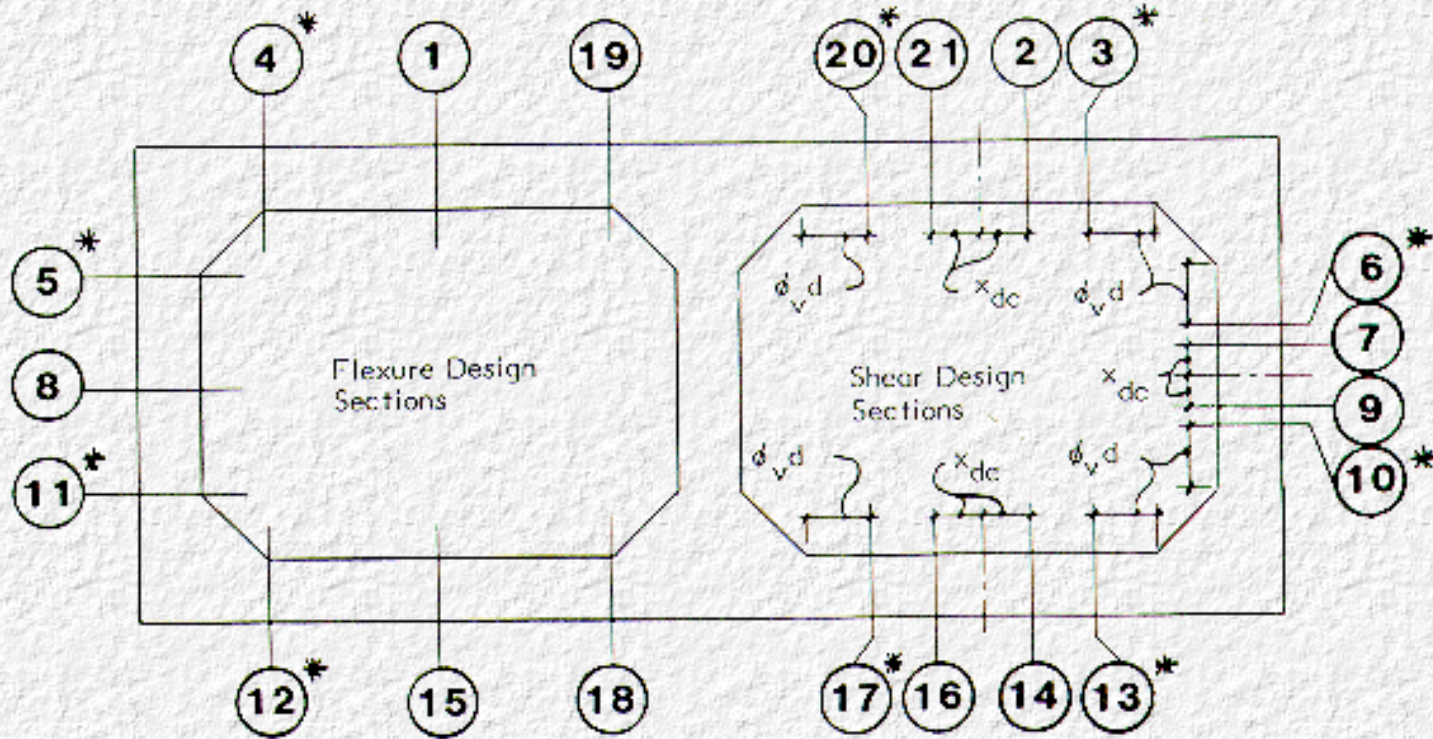
Method 2: 2, 3, 6, 7, 9, 10, 13, 14

\*Note: For method 2 shear design, any distributed load within a distance  $\phi d$  from the tip of the haunch is neglected. Thus the shear strengths at locations 4, 5, 11 and 12 are compared to the shear forces at locations 3, 6, 10, and 13 respectively.

Figure 4-2. Locations of Critical Sections for Shear and Flexure Design in Single Cell Box Sections



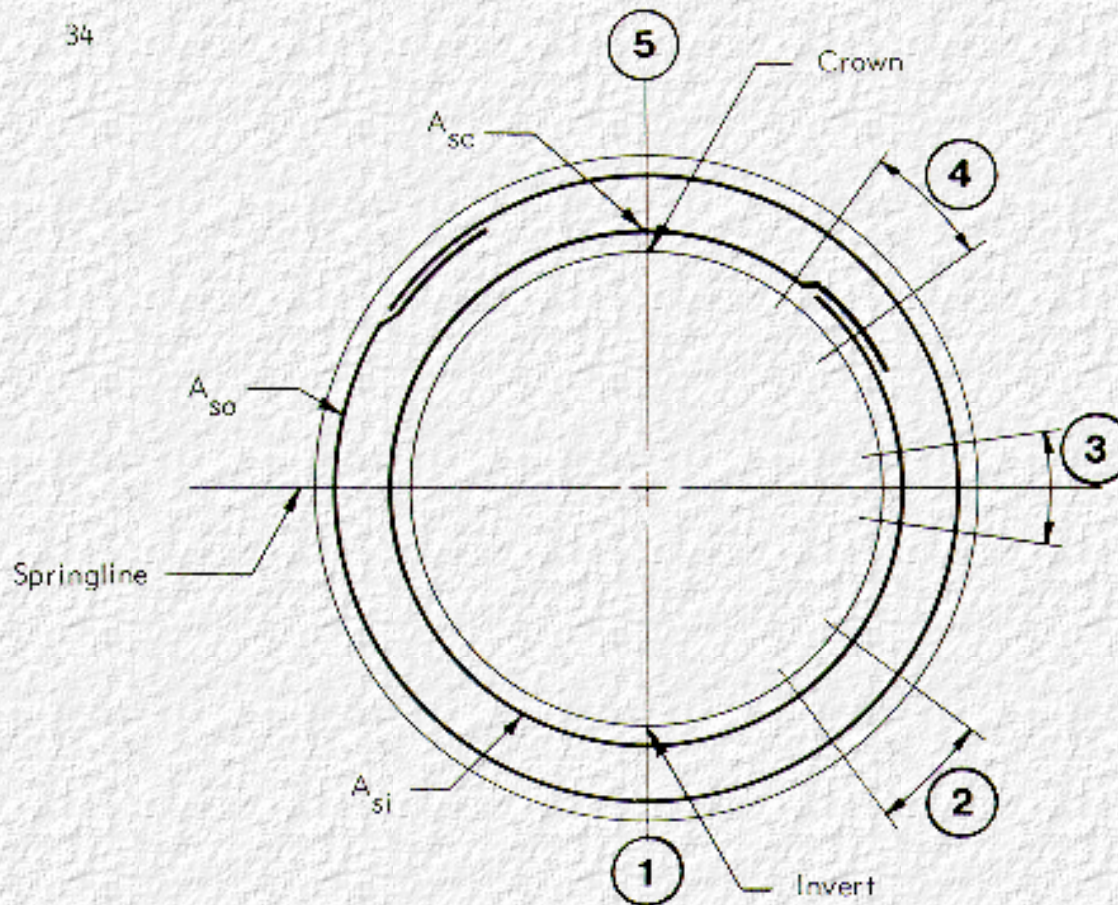
a. Typical reinforcing layout: cast-in-place two cell box culvert



\*See note, Figure 4-2

b. Design locations: two cell box culverts

Figure 4-3. Typical Reinforcing Layout and Location of Design Sections for Shear and Flexure Design of Two Cell Box Culverts



**Flexure Design Locations:**

- 1,5 Maximum Positive Moment Locations At Invert & Crown.
- 3 Maximum Negative Moment Location Near Springline.

**Shear Design Locations:**

- 2,4 Locations Near Invert and Crown Where  $M/V\phi_v d = 3.0$

**Notes:**

1. Reinforcing in Crown ( $A_{sc}$ ) will be the same as that used at the invert unless mat, quadrant or other special reinforcing arrangements are used.
2. Design Locations are the same for elliptical sections.

**Figure 4-4. Typical Reinforcing Layout and Locations of Critical Sections for Shear and Flexure Design in Pipe Sections**



### 4.1.1 Limit States Design Criteria

The concept of limit states design has been used in buried pipe engineering practice, although it generally is not formally defined as such. In this design approach, the structure is proportioned to satisfy the following limits of structural behavior:

- Minimum ultimate strength equal to strength required for expected service loading times a load factor
- Control of crack width at expected service load to maintain suitable protection of reinforcement from corrosion, and in some cases, to limit infiltration or exfiltration of fluids.

In addition, provisions are incorporated to account for a reduction of ultimate strength and service load performance that may result from variations in dimensions and nominal strength properties within manufacturing tolerances allowed in standard product specifications, or design codes.

Moments, thrusts and shears at critical points in the pipe or box section, caused by the design loads and pressure distribution, are determined by elastic analysis. In this analysis, the section stiffness is usually assumed constant, but it may be varied with stress level, based on experimentally determined stiffness of cracked sections at the crown, invert and springlines in computer analysis methods. Ultimate moments, thrusts and shears required for design are determined by multiplying calculated moments, thrusts, and shears (service conditions) by a load factor ( $L_f$ ) as follows:

$$M_u = L_f M$$

Equation 4.1

$$N_u = L_f N$$

Equation 4.2

$$V_u = L_f V$$

Equation 4.3

**Load Factors for Ultimate Strength:** The minimum load factors given below are appropriate when the design bedding is selected near the poorest extreme of the expected installation, and when the design earth load is conservatively estimated using the Morston-Spongler method (2, 3) for culvert or trench installations. Alternatively, these minimum load factors may be applied when the weight of earth on the buried section and the earth pressure distribution are determined by a soil-structure interaction analysis in which soil properties are selected at the lower end of their expected practical range. Also, the suggested load factors are intended to be used in conjunction with the strength reduction factors given below.

The 1981 AASHTO Bridge Specifications (4) specify use of a minimum load factor of 1.3 for all loads, multiplied by  $\beta$  coefficients of 1.0 for dead and earth load and 1.67 for live load plus impact. Thus the effective load factors are 1.3 for earth and dead load and  $1.3 \times 1.67 = 2.2$  for live loads. These load factors are applied to the moments, thrusts and shears resulting from the loads determined in [Chapter 2](#).

**Strength Reduction Factors:** Strength reduction factors,  $\phi$ , provide "for the possibility that small adverse

variations in material strengths, workmanship, and dimensions, while individually within acceptable tolerances and limits of good practice, may combine to result in understrength" (4). [Table 4-1](#) presents the maximum  $\phi$  factors given in the 1981 AASHTO Bridge Specification.

Table 4-1. Strength Reduction Factors in Current AASHTO Standard Specifications for Highway Bridges (4)			
	Box Culverts		Pipe Culverts
	Precast (a)	Cast-in-Place (b)	Precast (c)
Flexure	1.0 (d)	0.9	1.0 (d)
Shear	0.9	0.85	0.9

. Section 1.15.7b.  
 b. Section 1.5.30  
 c. Currently recommended by AASHTO Rigid Culvert Liaison Committee for adoption by AASHTO Bridge Committee.  
 d. The use of a strength reduction factor equal to 1.0 is contrary to the philosophy of ultimate strength design; however, it has been justified by the Rigid Culvert Committee on the basis that precast sections are a manufactured product, and are subject to better quality control than are cast-in-place structures. Because welded wire fabric, the reinforcing normally used in precast box and pipe sections, can develop its ultimate strength before failing in flexure, the use of  $\phi = 1.0$  with the yield strength still provides a margin for variations equal to the ratio of the yield strength to the ultimate strength. If hot rolled reinforcing is used in a precast structure, or if any unusual conditions exist, a strength reduction factor of 0.9, instead of 1.0, should be used in flexural calculations.

#### 4.1.2 Design of Reinforcement for Flexurol Strength

Design for flexural strength is required at sections of maximum moment, as shown in [Figure 4-2](#), [Figure 4-3](#) and [Figure 4-4](#).

(a) Reinforcement for Flexural Strength,  $A_s$

$$A_s f_y = g \phi_f d - N_u - \sqrt{g[g(\phi_f d)^2 - N_u(2\phi_f d - h) - 2M_u]} \quad \text{Equation 4.4}$$

$$g = 0.85 b f'_c \quad \text{Equation 4.5}$$

d may be approximated as

$$d = 0.96h - t_b \quad \text{Equation 4.6}$$

## (b) Minimum Reinforcement

For precast or cast-in-place box sections:  $\min. A_s = 0.002 bh$  Equation 4.7

For precast pipe sections:

For inside face of pipe:  $\min. A_s = (B_i + h)^2/65,000$  Equation 4.8

For outside face of pipe:  $\min. A_s = 0.75 (B_i + h)^2/65,000$  Equation 4.9

For elliptical reinforcement in circular pipe  $\min. A_s = 2.0 (B_i + h)^2/65,000$  Equation 4.10

For pipe 33 inch diameter and smaller with a single cage of reinforcement in the middle third of the pipe wall:  $\min. A_s = 2.0 (B_i + h)^2/65,000$  Equation 4.11

In no case shall the minimum reinforcement in precast pipe be less than 0.07 square inches per linear foot.

## (c) Maximum Flexural Reinforcement Without Stirrups

(1) Limited by radial tension (inside reinforcing of curved members only):

$$\max. \text{ inside } A_s f_y = 1.33 b r_s \sqrt{f'_c} F_{rp} \quad \text{Equation 4.12}$$

Where  $r_s$  is the radius of the inside reinforcement =  $(D_i + 2t_b)/2$  for circular pipe.

The term  $F_{rp}$  is a factor used to reflect the variations that local materials and manufacturing processes can have on the tensile strength (and therefore the radial tension strength) of concrete in precast concrete pipe. Experience within the precast concrete pipe industry has shown that such variations are significant.  $F_{rp}$  may be determined with [Equation 4.13](#) below when a manufacturer has a sufficient amount of test data on pipe with large amounts of reinforcing (greater than  $A_s$  by [Equation 4.12](#)) to determine a statistically valid test strength,  $DL_{ut}$ , using the criteria in ASTM C655 (AASHTO M242) "Standard Specification for Reinforced Concrete D-Load Culvert, Storm Drain and Sewer Pipe."

$$F_{rp} = \frac{(DL_{ut} + 9W_p / D_i)}{1230 r_s d \sqrt{f'_c}} D_i (D_i + h) \quad \text{Equation 4.13}$$

Once determined,  $F_{rp}$  may be applied to other pipe built by the same process and with the same materials. If [Equation 4.13](#) yields values of  $F_{rp}$  less than 1.0, a value of 1.0 may still be used if a review of test results shows that the failure mode was diagonal tension, and not radial tension.

If max. inside  $A_s$  is less than  $A_s$  required for flexure, use a greater  $d$  to reduce the required  $A_s$ , or use radial stirrups, as specified later.

(2) Limited by concrete compression:

$$\max A_s f_y = \frac{5.5 \times 10^4 g' \phi_f d}{(87,000 + f_y)} - 0.75 N_u \quad \text{Equation 4.14}$$

where:

$$g' = \left\{ 0.85 - 0.05 \left[ \frac{f'_c - 4000}{1000} \right] \right\} b f'_c \quad \text{Equation 4.15}$$

$$0.65 b f'_c < g' < 0.85 b f'_c$$

If max  $A_s$  is less than  $A_s$  required for flexure, use a greater  $d$  to reduce the required  $A_s$ , or the member must be designed as a compression member subjected to combined axial load and bending. This design should be by conventional ultimate strength methods, meeting the requirements of the AASHTO Bridge Specification, Section 1.5.11. Stirrups provided for diagonal or radial tension may be used to meet the lateral tie requirements of this section if they are anchored to the compression reinforcement, as well as to the tension reinforcement.

---

### 4.1.3 Crack Control Check

Check flexural reinforcement for adequate crack width control at service loads.

Crack Width Control Factor:

$$F_{cr} = \frac{B'}{30,000 \phi_f d A_s} \left[ \frac{M + N \left( d - \frac{h}{2} \right)}{j i} - C_1 b h^2 \sqrt{f'_c} \right] \quad \text{Equation 4.16}$$

where:

$F_{cr}$  = crack control factor, see note c.

$$e = \frac{M}{N} + d - \frac{h}{2} \quad \text{Equation 4.17}$$

Note: If  $e/d$  is less than 1.15, crack control will not govern and Equation 4.16 should not be used.

$$j = 0.74 + 0.1 e/d \quad \text{Equation 4.18}$$

Note: If  $e/d > 1.6$ , use  $j = 0.90$ .

$$i = \frac{1}{1 - \frac{jd}{e}} \quad \text{Equation 4.19}$$

$B_1$  and  $C_1$  are crack control coefficients that define performance of different reinforcements in 0.01 in. crack strength tests of reinforced concrete sections. Crack control coefficients  $B_1$  and  $C_1$  for the type reinforcements noted below are:

Type Reinforcement (RTYPE)	$B_1$	$C_1$
1. Smooth wire or plain bars	$\sqrt[3]{\frac{0.5t_b^2 s_e}{n}}$	1.0
2. Welded smooth wire fabric, 8 in.max. spacing of longitudinals	1.0	1.5
3. Welded deformed wire fabric, deformed wire, deformed bars, or any reinforcement with stirrups anchored thereto	$\sqrt[3]{\frac{0.5t_b^2 s_e}{n}}$	1.9

#### Notes:

- a. Use  $n = 1$  when the inner and the outer cages are each a single layer.  
Use  $n = 2$  when the inner and the outer cages are each made up from multiple layers.
- b. For type 2 reinforcement having  $(t_b^2 s_e)/n > 3.0$ , also check  $F_{cr}$  using coefficients  $B_1$  and  $C_1$  for type 3 reinforcement, and use the larger value for  $F_{cr}$ .
- c.  $F_{cr}$  is a crack control factor related to the limit for the average maximum crack width that is needed to satisfy performance requirements at service load. When  $F_{cr} = 1.0$ , the average maximum crack width is 0.01 inch for a reinforcement area  $A_s$ . If a limiting value of less than 1.0 is specified for  $F_{cr}$ , the probability of an 0.01 inch crack is reduced. No data is available to correlate values of  $F_{cr}$  with specific crack widths other

than 0.01 inches at  $F_{cr} = 1.0$ .

If the calculated  $F_{cr}$  is greater than the limiting  $F_{cr}$ , increase  $A_s$  by the ratio: calculated  $F_{cr}$ /limiting  $F_{cr}$ , or decrease the reinforcing spacing.

---

#### 4.1.4 Shear Strength Check

**Method 1:** This method is given in Section 1.5.35 G of the AASHTO Bridge Specification for shear strength of box sections (4). Under uniform load, the ultimate concrete strength,  $\phi_v V_c$  must be greater than the ultimate shear force,  $V_u$ , computed at a distance  $\phi_v d$  from the face of a support, or from the tip of a haunch with inclination of 45 degrees or greater with horizontal:

$$\phi_v V_c = 3\phi_v \sqrt{f'_c} bd$$

Equation 4.20

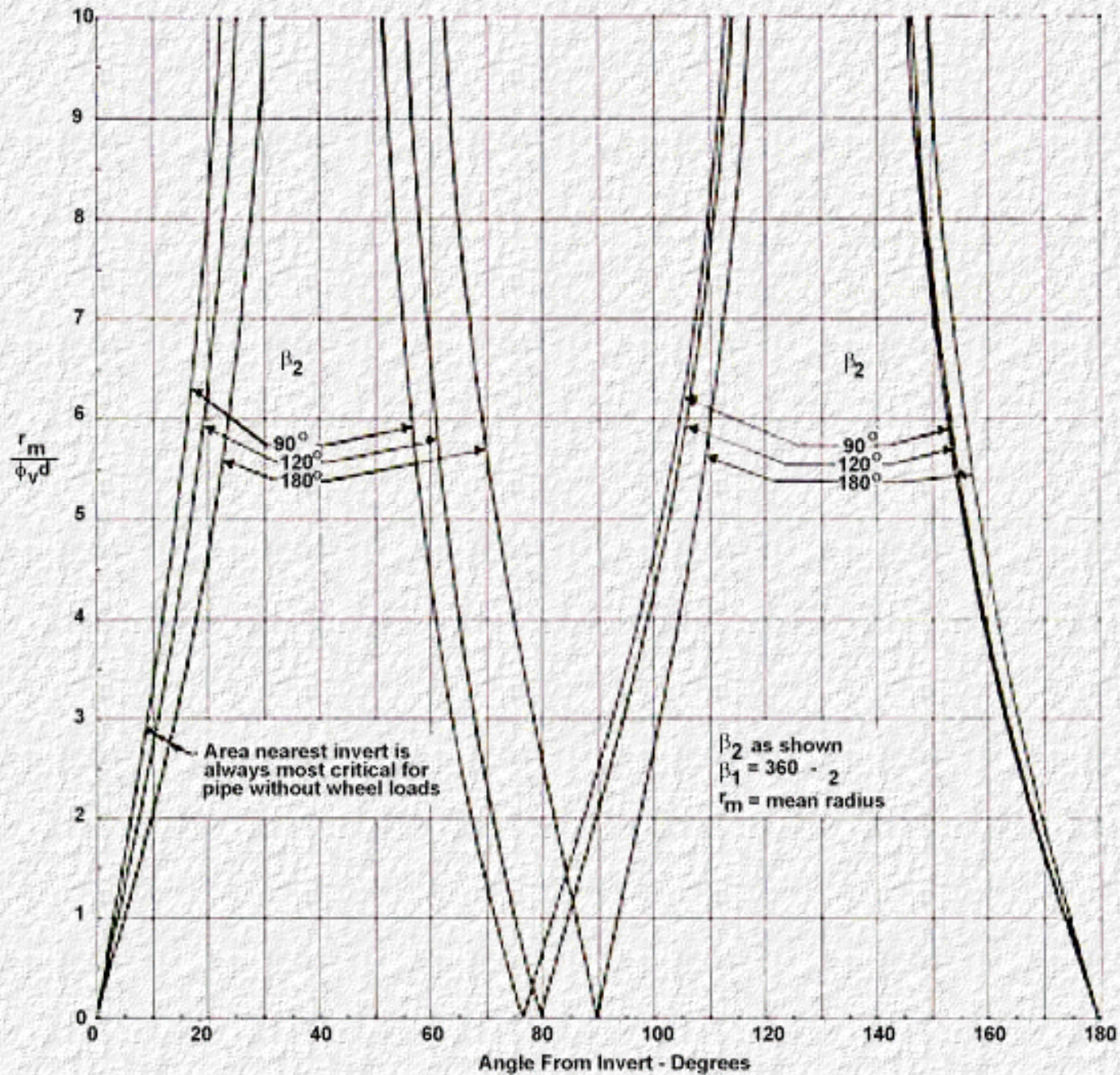
$$V_u \leq \phi_v V_c$$

Equation 4.21

Current research (9) indicates that this method may be unconservative in some conditions, most importantly, in the top and bottom slab, near the center wall of two cell box culverts. Thus, Method 2 should also be checked.

**Method 2:** Method 2 is based on research sponsored by the American Concrete Pipe Association (9), and is more complex than Method 1, but it reflects the behavior of reinforced concrete sections under combined shear, thrust and moment with greater accuracy than Method 1, or the current provisions in the reinforced concrete design section of the AASHTO Bridge Specification.

Determine  $V_u$  at the critical shear strength location in the pipe or box. For buried pipe, this occurs where the ratio  $M/V\phi_v d = 3.0$ , and for boxes, it occurs either where  $M/V\phi_v d = 3.0$  or at the face of supports (or tip of haunch). Distributed load within a distance  $\phi_v d$  from the face of a support may be neglected in calculating  $V_u$ , but should be included in calculating the ratio  $M/V\phi_v d$ .



**Figure 4-5. Critical Shear Location in Circular Pipe for Olander (7) Earth Pressure Distribution**

(a) For pipe, the location where  $M/V\phi_v d = 3.0$  varies with bedding and load pressure distributions. For

the distributions shown in [Figure 2-1b](#), it varies between about 10 degrees and 30 degrees from the invert. For the Olander bedding conditions ([Figure 2-1b](#)), the location where  $M/V\phi_v d = 3.0$  in a circular pipe can be determined from [Figure 4-5](#), based on the parameter  $rm/\phi_v d$ . For noncircular pipe or other loading conditions, the critical location must be determined by inspection of the moment and shear diagrams.

(b) For box sections, the location where  $M_u/V_u\phi_v d = 3.0$  is at  $x_{dc}$  from the point of maximum positive moment, determined as follows:

$$x_{dc} = 3 \left[ \sqrt{(\phi_v d)^2 + \frac{2M_c}{9w}} - \phi_v d \right] \quad \text{Equation 4.22}$$

where

- $x_{dc}$  is the distance from the point of maximum positive moment (mid-span for equal end moments) to the point of critical shear
- $w$  is the uniformly distributed load on the section, use  $p_s$  or  $p_v$  as appropriate
- $M_c$  is the maximum positive moment on span

This equation can be nondimensionalized by dividing all terms by the mean span of the section being considered. [Figure 4-6](#) is a plot of the variation of  $x_{dc}/l$  with  $1/\phi_v d$  for several typical values of  $c_m$ , where

$$c_m = \frac{2M_c}{wl^2} \quad \text{Equation 4.23}$$

At sections where  $M/V\phi_v d \geq 3.0$ , shear is governed by the basic shear strength,  $V_b$ , calculated as

$$\phi_v V_b = (1.1 + 63p) \sqrt{f'_c \phi_v bd} \left[ \frac{F_d F_{vp}}{F_c F_N} \right] \quad \text{Equation 4.24}$$

where:

$$p = \frac{A_s}{\phi_v bd} \leq 0.02 \quad \text{Equation 4.25}$$

$$\text{max. } f'_c = 7000 \text{ psi} \quad \text{Equation 4.26}$$

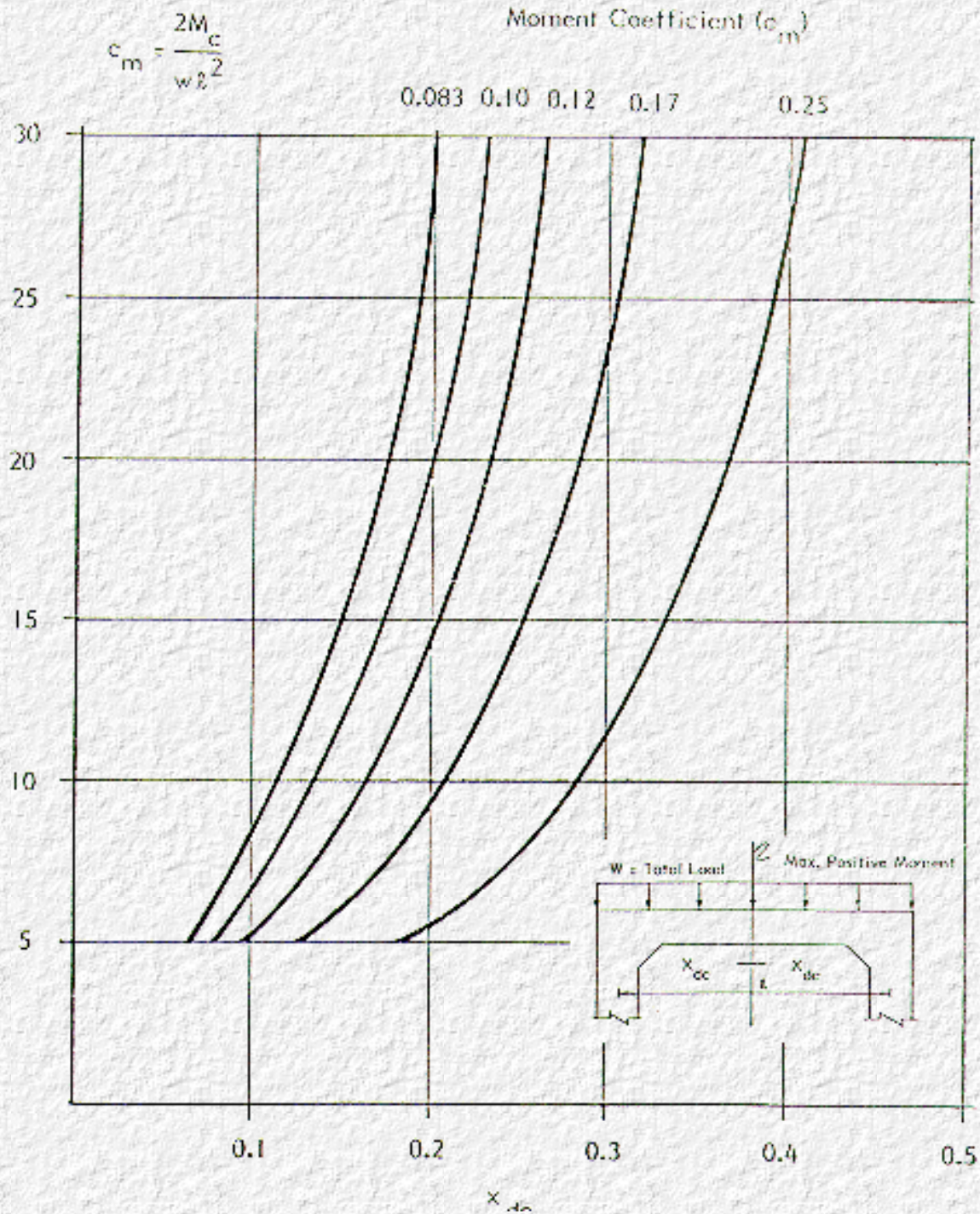


$$F_d = 0.8 + 1.6/d \leq 1.25$$

Equation 4.27

$F_c = 1$  for straight members

Equation 4.28



**Figure 4-6. Location of Critical Shear Section for Straight Members with Uniformly Distributed Load**

$$F_c = 1 + \frac{d}{2r_m} \text{ when moment produces tension on the inside of a pipe} \quad \text{Equation 4.27b}$$

$$F_c = 1 - \frac{d}{2r_m} \text{ when moment produces tension on the outside of a pipe} \quad \text{Equation 4.27c}$$

$$F_N = 1.0 - 0.12 \frac{N_u}{V_u} \geq 0.75 \quad \text{Equation 4.28}$$

The term  $F_{vp}$  is a factor used to reflect the variations that local materials and manufacturing processes can have on the tensile strength (and therefore diagonal tension strength) of concrete in precast concrete pipe. Experience within the precast concrete pipe industry has shown that such variations are significant.  $F_{vp}$  may be determined with [Equation 4.29](#) below when a manufacturer has a sufficient amount of test data on pipe that fail in diagonal tension to determine a statistically valid test strength,  $DL_{ut}$ , using the criteria in ASTM C655 \*AASHTO M242) "Specifications for Reinforced Concrete D-Load Culvert, Storm Drain and Sewer Pipe."

$$F_{vp} = \frac{F_c (DL_{ut} + 11W_p / D_i) D_i}{293F_d (1.1 + 63p) d \sqrt{f'_c}} \quad \text{Equation 4.29}$$

Once determined,  $F_{vp}$  may be applied to other pipe built by the same process and with the same materials.  $F_{vp} = 1.0$  gives predicted 3-edge bearing test strengths in reasonably good agreement with pipe industry experience, as reflected in the pipe designs for Class 4 strengths given in ASTM C76, "Standard Specification for Reinforced Concrete Culvert, Storm Drain, and Sewer Pipe." Thus, it is appropriate to use  $F_{vp}=1.0$  for pipe manufactured by most combinations of process and local materials. Available 3-edge bearing test data show minimum values of  $F_{vp}$  of about 0.9 for poor quality materials and/or processes, as well as possible increases up to about 1.1, or more, with some combinations of high quality materials and manufacturing process. For tapered inlet structures,  $F_{vp} = 0.9$  is recommended in the absence of test data.

If  $\phi_v V_b < V_u$ , either use stirrups, as specified in [Section 4.1.5](#) below, or if  $M/V\phi_v d < 3.0$ , calculate the general shear strength, as given below.

Shear strength will be greater than  $V_b$  when  $M/V\phi_v d < 3.0$  at critical sections at the face of supports or, for members under concentrated load, at the edge of the load application point. The increased shear strength when  $M/V\phi_v d < 3.0$ , termed the general shear strength,  $V_c$ , is:

$$\phi_v V_c = \frac{4\phi_v V_b}{(M/V\phi_v d + 1)} \leq \frac{4.5\sqrt{f'_c} b d \phi_v}{F_N} \quad \text{Equation 4.30}$$

If  $M/V\phi_v d \geq 3.0$ , use  $M/V\phi_v d = 3.0$  in [Equation 4.30](#).  $V_c$  shall be determined based on  $M/V\phi_v d$  at the face of supports in restrained end flexural members and at the edges of concentrated loads. Distributed load within a distance  $\phi_v d$  from the face of a support may be neglected in calculating  $V_u$ , but should be included for determining  $M/V\phi_v d$ .

---

#### 4.1.5 Stirrups

Stirrups are used for increased radial tension and/or shear strength.

(a) Maximum Circumferential Spacing of Stirrups:

$$\text{For boxes, max. } s = 0.60 \phi_v d \quad \text{Equation 4.31a}$$

$$\text{For pipe, max. } s = 0.75 \phi_v d \quad \text{Equation 4.31b}$$

(b) Maximum Longitudinal Spacing and Anchorage Requirements for Stirrups

Longitudinal spacing of stirrups shall equal  $s_1$ . Stirrups shall be anchored around each inner reinforcement wire or bar, and the anchorage at each end shall develop the ultimate strength,  $f_v$ , used for design of the stirrups. Also,  $f_v$  shall not be greater than  $f_y$  for the stirrup material.

(c) Radial Tension Stirrups (curved members only):

$$A_{vr} = \frac{1.1s(M_u - 0.45N_u\phi_v d)}{f_v r_s \phi_v d} \quad \text{Equation 4.32}$$

(d) Shear Stirrups (also resist radial tension):

$$A_{vr} = \frac{1.1s}{f_v \phi_v d} [V_u F_c - \phi_v V_c] + A_{vr}$$

Equation 4.33

$V_c$  is determined in [Equation 4.30](#) except use  $V_c \leq 2\sqrt{f'_c} b \phi_v d$

$A_{vr} = 0$  for straight members.

(e) Extent of Stirrups:

Stirrups should be used wherever the radial tension strength limits and/or wherever shear strength limits are exceeded.

(f) Computer Design of Stirrups:

The computer program to design reinforced concrete pipe that is described in [Chapter 5](#) includes design of stirrups. The output gives a stirrup design factor ( $S_{df}$ ) which may be used to size stirrups as follows:

$$A_v = \frac{S_{df} S}{f_v}$$

Equation 4.34

This format allows the designer to select the most suitable stirrup effective ultimate strength and spacing.

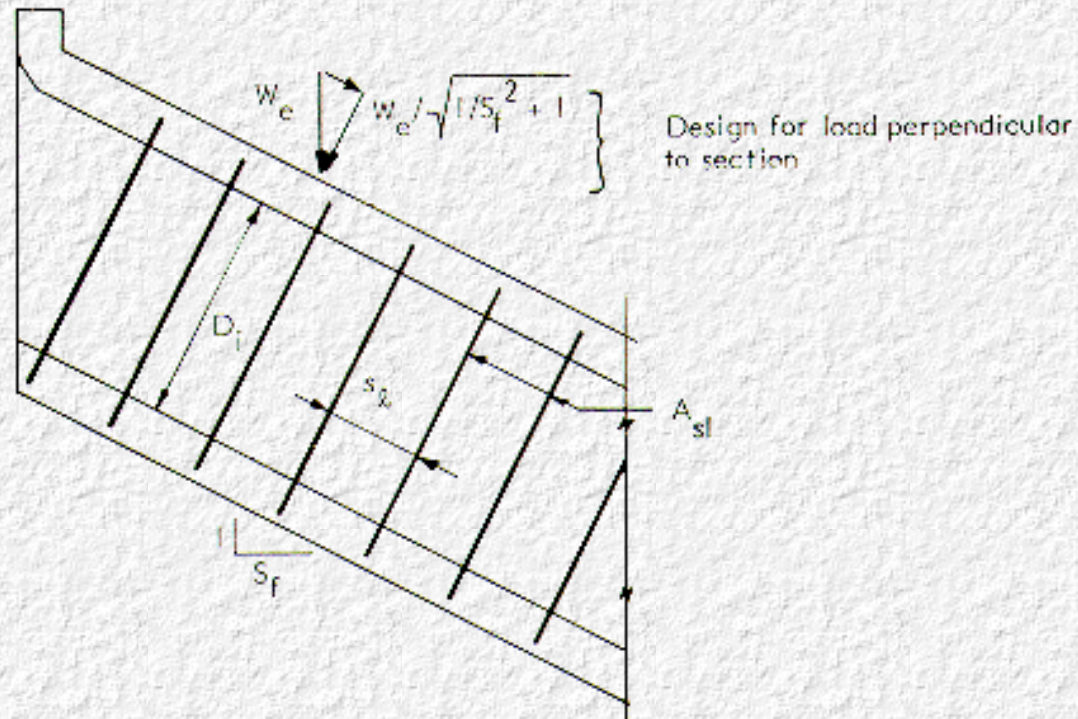
#### 4.1.6 Special Design Considerations for Slope Tapered Inlets

Slope tapered inlets are designed in the same manner as ordinary culverts, or side tapered inlets, except that the steeper slope of the section,  $S_f$ , must be taken into account. The recommended design procedure for precast inlets is to analyze the section and design the reinforcing based on earth loads applied normal to the section, as shown in [Figure 4-7a](#); however, since it is usually easier to build cast-in-place inlets with the main sidewall reinforcing (ASI) vertical, the reinforcing spacing and area must be adjusted to provide the necessary area. This is accomplished, as shown in [Figure 4-7b](#), by using the transverse spacing assumed for the analysis as the horizontal spacing, and by modifying the area of sidewall outside reinforcing by

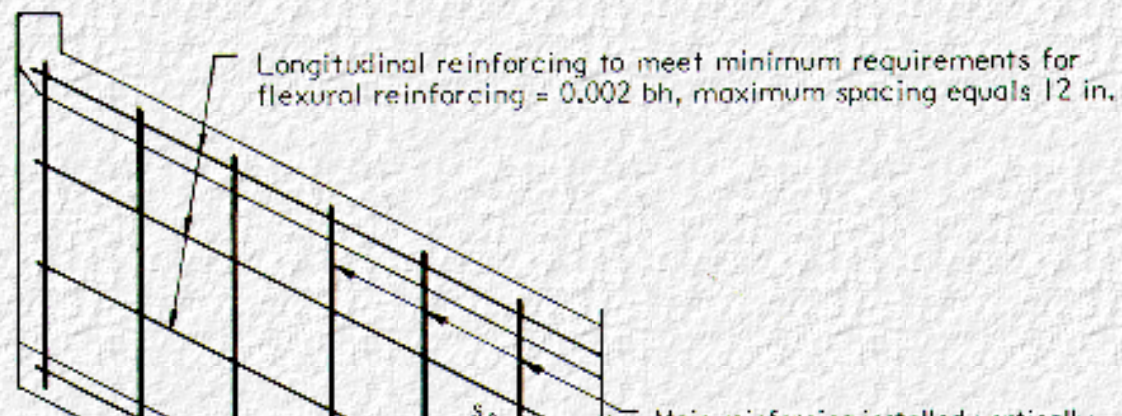
$$A_{s1}' = \frac{A_{s1}}{\sqrt{(1/S_f^2 + 1)}}$$

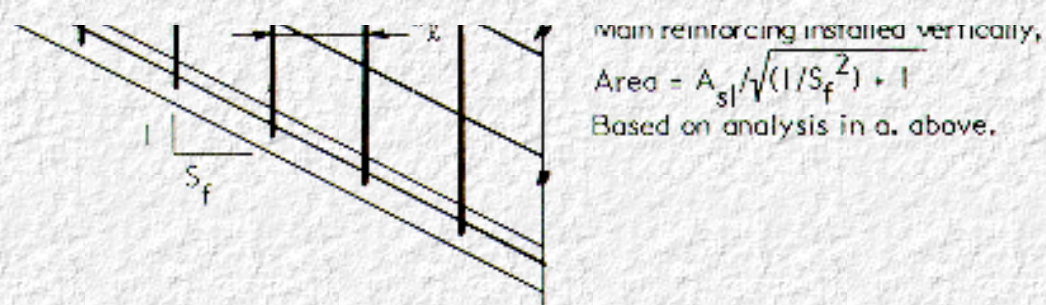
Equation 4.35

A consequence of installing the main reinforcing at an angle to the applied forces is the creation of secondary stress resultants in the wall in the longitudinal direction. These stress resultants are relatively small and sufficient flexural resistance is usually developed if the minimum flexural reinforcing is provided in the longitudinal direction, as shown in [Figure 4-7b](#).



a. Dimensions, loads and reinforcement area,  $A_{sl}$  based on analysis for loads transverse to slope of slope tapered inlet.





b. Reinforcing requirements when main reinforcing is installed vertically, and transverse reinforcing is parallel to slope.

Figure 4-7. Design Considerations for Slope Tapered Inlets

## 4.2 Corrugated Metal Pipe Design Method

The AASHTO design method for corrugated metal structures has been successfully used for many years, and is reproduced in [Appendix A](#). As noted in [Chapter 3](#), many manufacturers provide proprietary modifications to large or unusual corrugated metal culverts, and should be consulted prior to completion of detailed designs.

The use of side tapered corrugated metal inlets requires the design of horizontal elliptical sections. The current AASHTO Bridge Specifications provide for the design of horizontal ellipses only under [Section 1.9.6](#). Long-span structures are set apart from typical corrugated metal pipe in that:

- "Special features", such as longitudinal or circumferential stiffeners, are required to control deformations in the top arc of the structure.
- The design criteria for buckling and handling do not apply.

The concept of special features was introduced by the corrugated metal pipe industry to help stiffen long-span structures without using heavier corrugated metal plate, on the theory that the extra stiffness provided by the special features allows the use of lighter corrugated metal plate, since the combined stiffness of the plate and special feature may be used in design. Thus, for such structures, the corrugated metal plate alone need not meet the handling and buckling criteria. This approach results in more economical structures for large spans.

The concept of special features also applies to side tapered corrugated metal inlets; however, it is not practical to provide special features for small inlets, and thus a special condition exists. The recommended approach for these structures is that either special features must be provided, or the handling and buckling criteria must be met by the corrugated metal section alone. This is not specifically allowed by the AASHTO Bridge Specification, but is within the design philosophy of the code.

[Go to Chapter 5](#)



## Chapter 5 : FHWA-IP-83-6

# Computerized Analysis and Design of Reinforced Concrete Sections

[Go to Chapter 6](#)

---

Computer programs that make the analysis and design of concrete culvert and inlet sections both simple and cost effective are described in this Chapter. Use of the computer methods allows the engineer to make a more complete evaluation of various culvert configurations for a given installation.

---

## 5.1 Box Sections

The design program for buried reinforced concrete box sections provides a comprehensive structural analysis and design method that may be used to design any single cell rectangular box section with or without haunches. For tapered inlet design, the program may be used to design cross sections at various locations along the longitudinal axis that the designer may then assemble into a single design. This program is modeled after a similar program that was used to develop ASTM Specification C789 (AASHTO M259) "Precast Reinforced Concrete Box Sections for Culverts, Storm Drains and Sewers". This section gives a general description of the program. Specific information needed to use the program is given in [Appendix B](#). A program listing is provided in [Appendix H](#).

---

### 5.1.1 Input Variables

The following parameters are input variables in the program:

- Culvert geometry - span, rise, wall thicknesses, and haunch dimensions.
- Loading data - depth of fill, density of fill, lateral pressure coefficients, soil-structure interaction factor, depth of internal fluid, and density of fluid.
- Material properties - reinforcing tensile yield strength, concrete compressive strength, and concrete density.
- Design data - load factors, concrete cover over reinforcement, wire diameter, wire spacing, type of reinforcing used, layers of reinforcing used, capacity reduction factor, and limiting crack control factor.

The only parameters that must be specified are the span, rise, and depth of fill. If no values are input for the remaining parameters, then the computer will use standard default values. Default values are listed in [Appendix B \(Table B-1\)](#) for all the input parameters.

---



## 5.1.2 Loadings

The program analyzes the five loading cases shown in [Figure 5-1](#). The loading cases are separated into two groups; permanent dead loads (Cases 1, 2 and 3) that are always considered present and additional dead loads (Cases 4 and 5) that are considered present only when they tend to increase the design force under consideration. The two foot surcharge load ([Section 2.4](#)) is added to the height of fill, and is therefore considered as a permanent dead load.

Earth pressures are assumed distributed uniformly across the width of the section and vary linearly with depth. Soil reactions are assumed to be uniformly distributed across the base of the culvert.

---

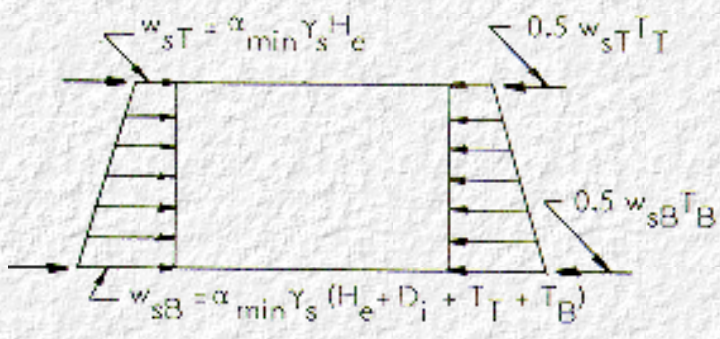
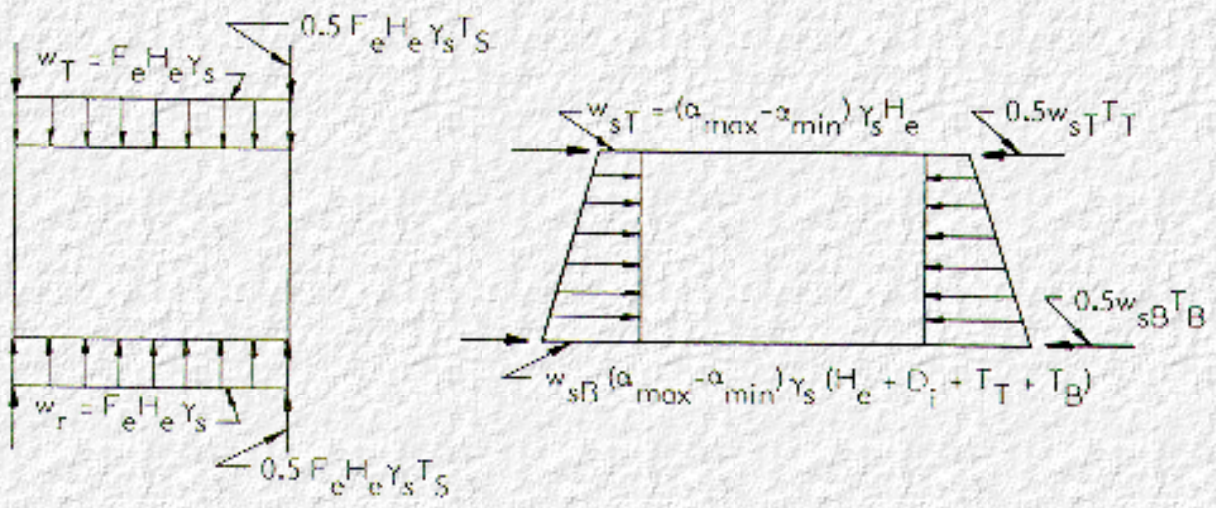
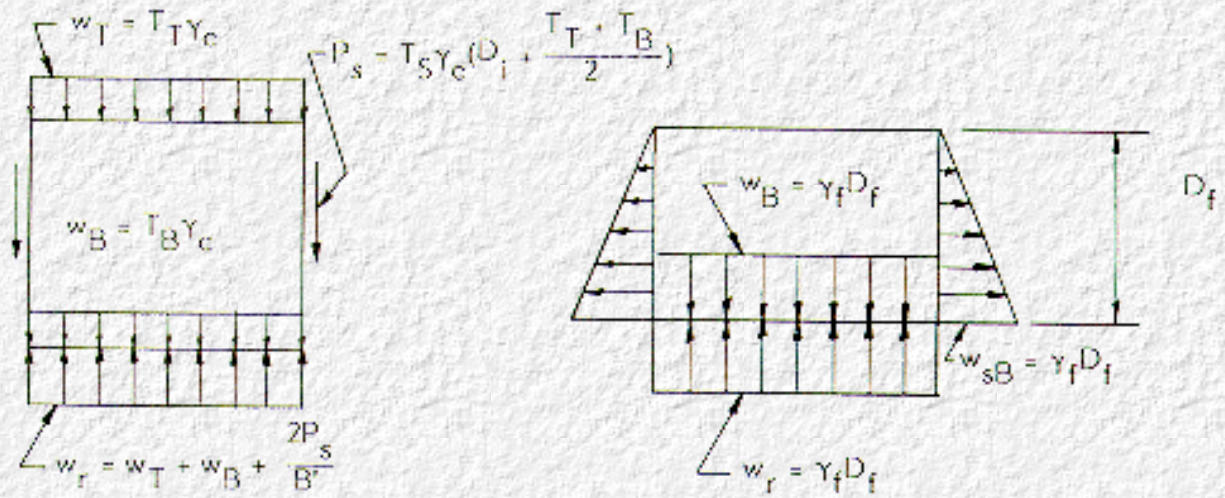
## 5.1.3 Structural Analysis

To determine the design moments, thrusts, and shears, the program employs the stiffness matrix method of analysis. Box culverts are idealized as 4 member frames of unit width. For a given frame, member stiffness matrices are assembled into a global stiffness matrix; a joint load matrix is assembled, and conventional methods of matrix analysis are employed. For simplicity, the fixed end force terms and flexibility coefficients for a member with linearly varying haunches are determined by numerical integration. The trapezoidal rule with 50 integration points is used and a sufficiently high degree of accuracy is obtained.

---

## 5.1.4 Design of Reinforcing

The program incorporates the design method entitled "Design Method for Reinforced Concrete Pipe and Box Sections", developed by Simpson Gumpertz & Heger Inc. for the American Concrete Pipe Association (9). This method is presented in [Chapter 4](#). For a given trial wall thickness and haunch arrangements the design procedure consists of determining the required steel reinforcement based on flexural strength and checking limits based on crack control, concrete compressive strength, and diagonal tension strength. If the limits are exceeded, the designer may choose to increase the amount of steel reinforcement, add stirrups for diagonal tension, or change the wall thicknesses and haunch geometry as required to provide a satisfactory design.



**Figure 5-1. Single Cell Box Section Loading Cases**

The following limitations apply to the use of the program to design box sections:

- Only transverse reinforcement areas are computed.

- Anchorage lengths must be calculated and added to the theoretical cut-off lengths determined by the program.
- The program does not design wall thicknesses (these must be input by the user).
- The program does not design shear reinforcement, but prints a message when shear reinforcement is required.

These limitations are included to allow the structural designer the maximum possible flexibility in selecting reinforcing, i.e. type (hot rolled reinforcing bar or smooth or deformed welded wire fabric), size and spacing.

The maximum forces at the design sections ([Figure 4-2](#)) are determined by taking the forces due to the permanent dead load cases, and adding to them the forces due to the additional dead load cases, if they increase the maximum force. Five steel areas designated as AS1, AS2, AS3, AS4 and AS8 in [Figure 4-1](#) are sized based on the maximum governing moment at each section. The area AS1 is the maximum of the steel areas required to resist moments at locations 5, 11 and 12 in [Figure 4-2](#). Areas AS2, AS3, AS4 and AS8 are designed to resist moments at locations 1, 15, 8 and 4, respectively. The steel areas determined for flexural strength requirements are then checked for crack control. The program then checks shear by both Methods 1 and 2 ([Section 4.1.4](#)) at the locations shown in [Figure 4-2](#). The more conservative criteria is used as the limiting shear capacity.

For the reinforcing scheme for precast box sections ([Figure 4-1a](#)), the theoretical cutoff lengths,  $\ell_d$  for AS1 in the top and the bottom slab are calculated from the assumption of uniformly distributed load across the width of the section. The point where the negative moment envelope is zero is computed from the minimum midspan moment. Informative messages are printed when excessive concrete compression governs the design or when stirrups are required due to excessive shear stresses.

---

### 5.1.5 Input/Output Description

The amount of data required for the program is very flexible because much of the data is optional. Input for a particular box culvert may range from a minimum of 3 cards to a maximum of 16 cards depending on the amount of optional input data required by the designer. The type of data to be supplied on each card is specified in [Appendix B](#). A program with minimum data would require only a title card, data card 1 specifying the span, rise and depth of fill, and data card 15 indicating the end of the input data.

The amount of output can be controlled by the user, as described in [Appendix B](#). The minimum amount of output that will be printed is an echo print of the input data and a one page summary of the design. An example design summary sheet is included in [Appendix B](#). Additional available output includes maps of major input arrays, displacements, end forces, moments, thrusts and shears at critical sections, and shear and flexure design tables.

---

## 5.2 Circular and Elliptical Pipe Sections

The program for buried reinforced concrete pipe has the capability to analyze and design circular, and horizontal elliptical pipe. Information needed to use the program is presented in [Appendix C](#).

---

### 5.2.1 Input Variables and Dimensional Limitations

The following parameters are input variables in the program:

- Pipe Geometry diameter for circular pipe, or radius 1, radius 2, horizontal offset, and vertical offset for elliptical pipe, and wall thickness (see [Figure 1-2](#))
- Loading Data depth of fill over crown of pipe, density of fill, bedding angle, load angle, soil structure interaction factor, depth of internal fluid and fluid density
- Material Properties reinforcing tensile yield strength, concrete compressive strength and concrete density
- Design Data load factors, concrete cover over inner and outer reinforcement, wire diameters, wire spacing, reinforcing type, layers of reinforcing, capacity reduction factor, crack control factor, shear process factor and radial tension process factor

The pipe geometry and height of fill are the only required input parameters. Default values are assumed for any optional data not specified by the user. [Appendix C \(Table C-1\)](#) lists all the input parameters and their associated default values.

The program has the following limitations:

- The specified load angle must be between 180° and 300°.
  - The specified bedding angle must be between 10° and 180°.
  - The sum of the bedding and load angles must be less than or equal to 360°.
  - Only circumferential reinforcement is designed.
  - Wall thicknesses must be selected by the designer.
  - Internal pressure is not a design case.
- 

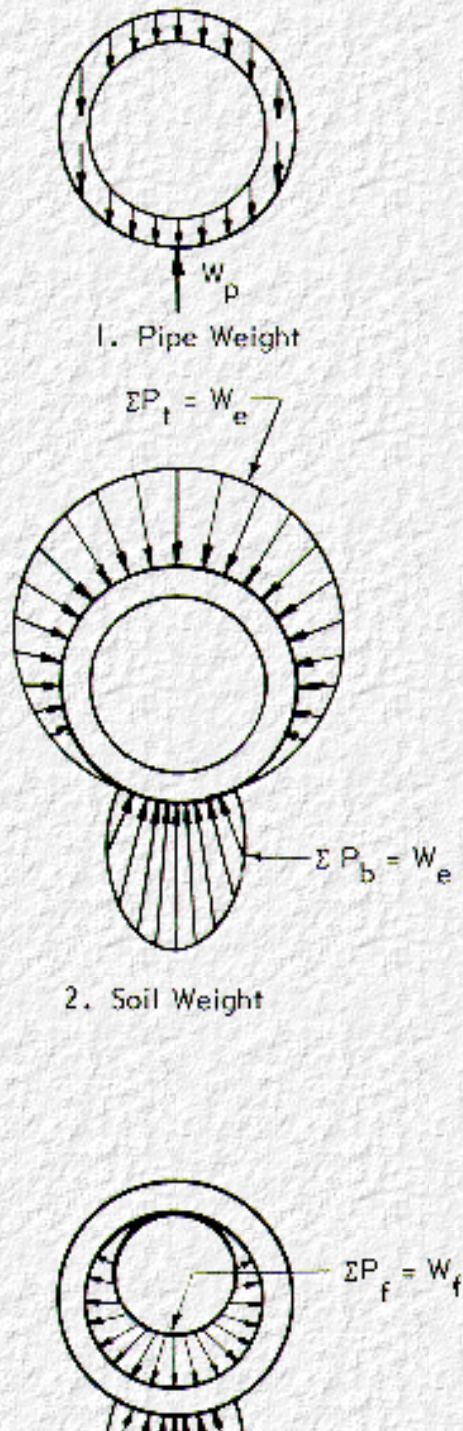
### 5.2.2 Loadings

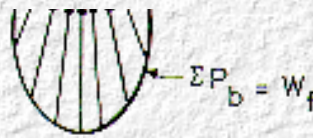
The program analyzes the three load cases shown in [Figure 5-2](#). Load cases 1 and 2 are considered as permanent dead load, and load case 3 is considered additional dead load and is used in design only if it increases the design force under consideration. The two foot surcharge load suggested in [Section 2.4](#) should be added to the height of fill input into the program.

---

### 5.2.3 Structural Analysis

Due to symmetry, it is only necessary to analyze one half of the pipe section. The pipe is modeled as a 36 member plane frame with boundary supports at the crown and invert. Each member spans 5 degrees and is located at middepth of the pipe wall. For each member of the frame, a member stiffness matrix is formed, and then transformed into a global coordinate system. The loads on the pipe are calculated as pressures applied normal and tangential to each of the 36 members. These pressures are converted into nodal pressures that act radially and tangentially to the pipe. Loads of each joint are assembled into a joint load matrix, and a solution is obtained by a recursion algorithm from which member end forces are obtained at each joint. Analysis is completed separately for each load condition.





### 3. Internal Fluid Load

## Figure 5-2. Pipe Section Load Cases

*Note: These load cases also apply to elliptical sections.*

### 5.2.4 Design of Reinforcing

Forces or moments for ultimate strength design are determined by summing the stress resultants obtained from the analyses for dead load, and earth load, and fluid load, (if the latter increases the force under consideration), and multiplying the resultant by the appropriate load factor.

The design procedure consists of determining reinforcement areas based on bending moment and axial compression at locations of maximum moment, and checking for radial tension strength, crack control, excessive concrete compression and diagonal tension strength. If necessary, the reinforcement areas are increased to meet these other requirements. The design procedure is the same as used for box sections (See [Chapter 4](#)).

Reinforcing is designed at three locations; inside crown, inside invert and outside springline (See [Figure 4-4](#)). These areas are designated  $A_{SC}$ ,  $A_{Si}$  and  $A_{SO}$ , respectively. Critical shear locations are determined by locating the points where  $M_u/V_u\phi_v d$  equals 3.0 (See [Chapter 4](#)). Shear forces are calculated at each of these points and compared to the maximum shear strength. When the applied shear exceeds the shear strength, stirrups are designed by outputting a stirrup design factor ( $S_{df}$ ). This is then used to determine stirrup area by the following equation:

$$A_v = \frac{S_{df}(s)}{f_v} \quad \text{Equation 5.1}$$

This allows the designer to select a desirable stirrup spacing and to vary  $f_v$  depending upon the developable strength of the stirrup type used. The stirrup reinforcing strength,  $f_v$ , is based on either the yield strength of the stirrup material, or the developable strength of the stirrup anchorage, whichever is less.

### 5.2.5 Input/Output Description

The amount of data required for the program is very flexible because much of the data is optional. For an elliptical pipe, the number of data cards required may range from 5 cards to 14 cards. For circular pipe design, one less card is required. The type of data to be specified on each card and format is described in [Appendix C](#). The first card for every design is a problem identification card which may be used to describe the structure being

designed. The remaining cards are data cards. Data cards 1 through 3 are required cards that specify the pipe geometry and height of fill. Data cards 4 through 12 specify the loading data, material strengths, and design criteria to be used. A data card over 12 indicates that the end of the data stream has been reached. For elliptical pipe, a design with a minimum amount of data would require a title card, data cards 1 through 3 specifying the culvert geometry and height of fill, and a data card with code greater than 12, indicating the end of the data stream. For circular pipe, data card 2 is not required.

The amount of output can be controlled by the user, as described in [Appendix C](#). The minimum amount of information that will be printed is an echo print of the input data and a one page summary of the design. Additional available output includes stiffness matrices, displacements, moments, thrusts and shears at each node point and a table of design forces.

---

[Go to Chapter 6](#)



# Chapter 6 : FHWA-IP-83-6

## Design of Appurtenant Structures

[Go to Appendix A](#)

---

In order to integrate an improved inlet into a culvert system, several appurtenant structures may be required. These structures, which include circular to square transition sections, wingwalls, headwalls and aprons also require the attention of a structural engineer. The design of these structures is governed by the AASHTO Bridge Specifications (4), as is the design of inlets. Design requirements of these structures are discussed below. Typical suggested details are included in [Appendix G](#). Suggested designs for several of these structures are presented in [Appendix E](#).

---

### 6.1 Circular to Square Transition

In some instances it is desirable to use a cast-in-place box inlet with a circular culvert barrel. This requires the use of a transition section that meets the following criteria:

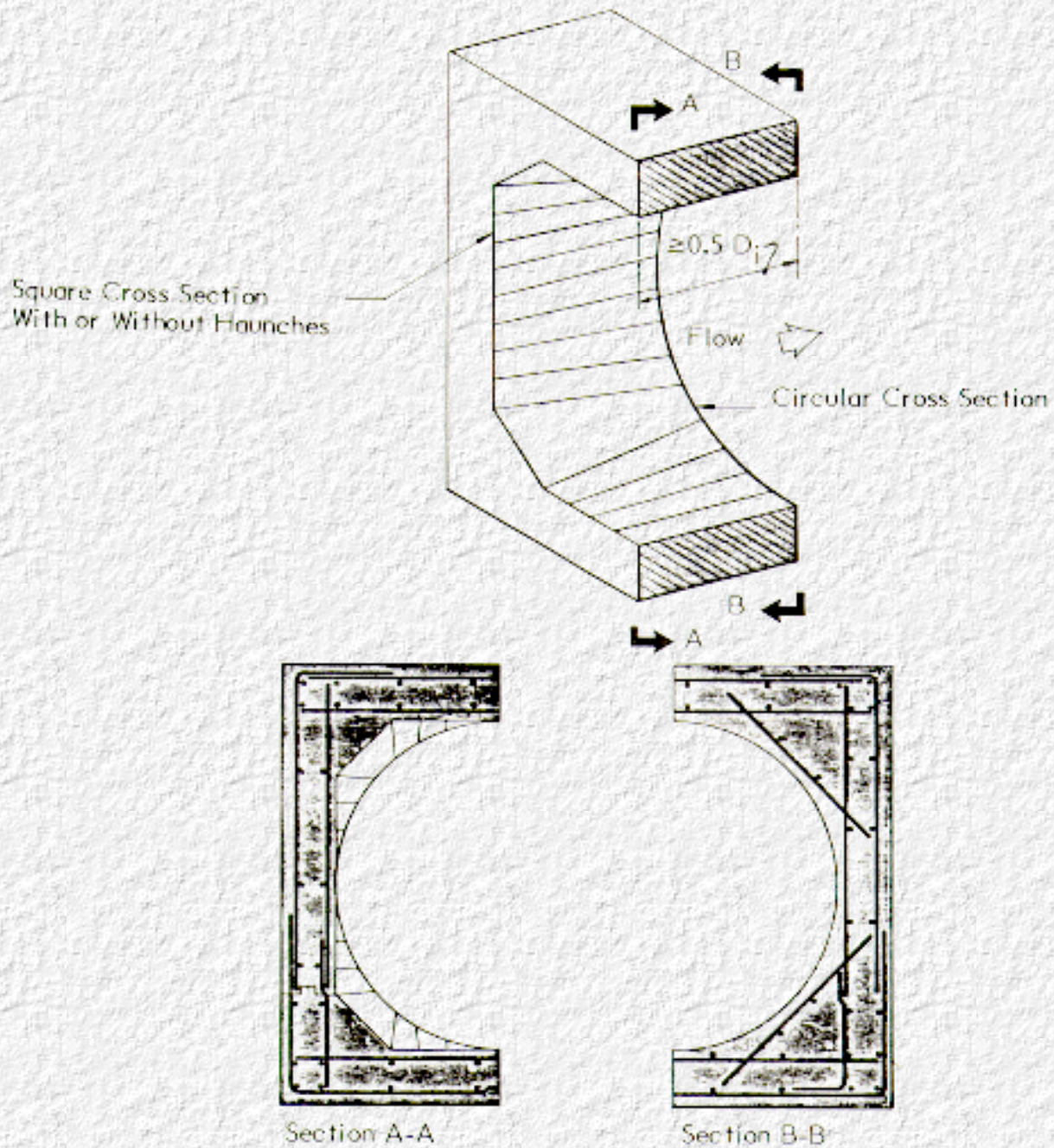
- The cross section must provide a smooth transition from a square to a circular shape. The rise and span of the square end should be equal to the diameter of the circular section.
- The length of the transition section must be at least one half the diameter of the circular section.

The outside of the transition section is not restricted by any hydraulic requirements; thus structural, and construction considerations should be used to determine the shape. Typically, for cast-in-place structures the simplest method is to make the outside square, and maintain the box section reinforcing arrangement throughout the length of the section. This simplifies the form work for the outside and allows the use of the same reinforcing layout throughout the length of the section, avoiding the need to bend each bar to a different shape. A suggested geometry and reinforcing diagram is shown in [Figure 6-1](#) and [Appendix G](#).

Reinforcing for transition sections can be sized by designing for the loads at the square end of the section according to the design method of [Chapter 4](#) and then using that reinforcing throughout the length of the structure.

Typically, the transition section will be a cast-in-place structure up against a precast pipe section. It is important that the backfill be well compacted (95% of maximum AASHTO T99) around both structures to preclude significant longitudinal discontinuity stresses due to the differing stiffnesses of the two structures.





**Figure 6-1. Circular to Square Transition Section**

## 6.2 Wingwalls and Headwalls

At the opening of an improved inlet it is common to use a headwall and wingwalls to hold the toe of the embankment back from the entrance, protecting it from erosion ([Figure 1-1](#)). The headwall is a retaining wall with an opening for the culvert. It derives support from attachment to the culvert, and is subject to less lateral soil pressure than a retaining wall of equal size since the culvert replaces much of the backfill. The Wingwalls are retaining walls placed at either side of the headwall, usually at an angle ([Figure 1-1](#)).

---

## 6.2.1 Wingwalls

Wingwalls are designed as retaining walls and pose no unusual problems for the engineer. The methods of design and construction of retaining walls vary widely, and it is not possible to cover all of these in this Manual. There are a number of soil mechanics texts (10, 11, 12) that explain in detail the analysis of retaining walls; also, in 1967 the FHWA published "Typical Plans for Retaining Walls" (13) which gives typical designs for cantilever and counterfort type retaining walls. For the purpose of demonstrating typical details, one of the drawings from this document was revised and reproduced in [Appendix G](#). The revisions made were to change the steel areas to reflect the use of reinforcing with a yield stress of 60,000 psi, which is the most common type in current use. The loading diagram and typical reinforcing layout for this drawing are shown in [Figure 6-2](#).

The designs are based on working stress methods given in Section 1.5 of the AASHTO Bridge Specification (4).

For large culverts, the headwalls and wingwalls should always be separated by a structural expansion joint. For smaller structures, this expansion joint may be omitted at the discretion of the designer.

---

## 6.2.2 Headwalls

Headwalls are similar in appearance to wingwalls but behave much differently because of the culvert opening. The presence of the culvert greatly reduces the lateral pressure on the wall, and since the headwall is normally secured to the culvert barrel, the lateral forces do not normally need to be carried to the foot of the wall. Thus, for this case, only a small amount of reinforcing as shown in the typical details in [Appendix G](#) need be placed in the wall. If the headwall is not anchored to the inlet, culvert or the wing walls, then the headwall must be designed to span horizontally across the width of the inlet, and vertical edge must be provided on each side of the inlet, cantilevering from the foundation.

**Skewed Headwalls:** A special design case for a headwall occurs when the face of a culvert is skewed relative to the barrel ([Figure 6-3](#)). This requires special design for the headwall, and the portion of the culvert which is not a closed rectangle. The headwall is designed as a vertical beam to support the loads on the edge portion of the culvert slab that is beyond the closed rectangular sections of the culvert. This produces a triangular distribution of load from the culvert slab to be supported by the vertical beam action of the headwall. Transverse reinforcing in the culvert is sized as required in the closed rectangular sections, and in the area of the skew, this reinforcing is cut off at the skew face of the headwall beam. In addition, U-bars are provided at the skew edge, as shown in [Figure 6-3](#). Skewed headwalls are not recommended for normal installations. The best hydraulic performance is received

from a headwall that is perpendicular to the barrel.

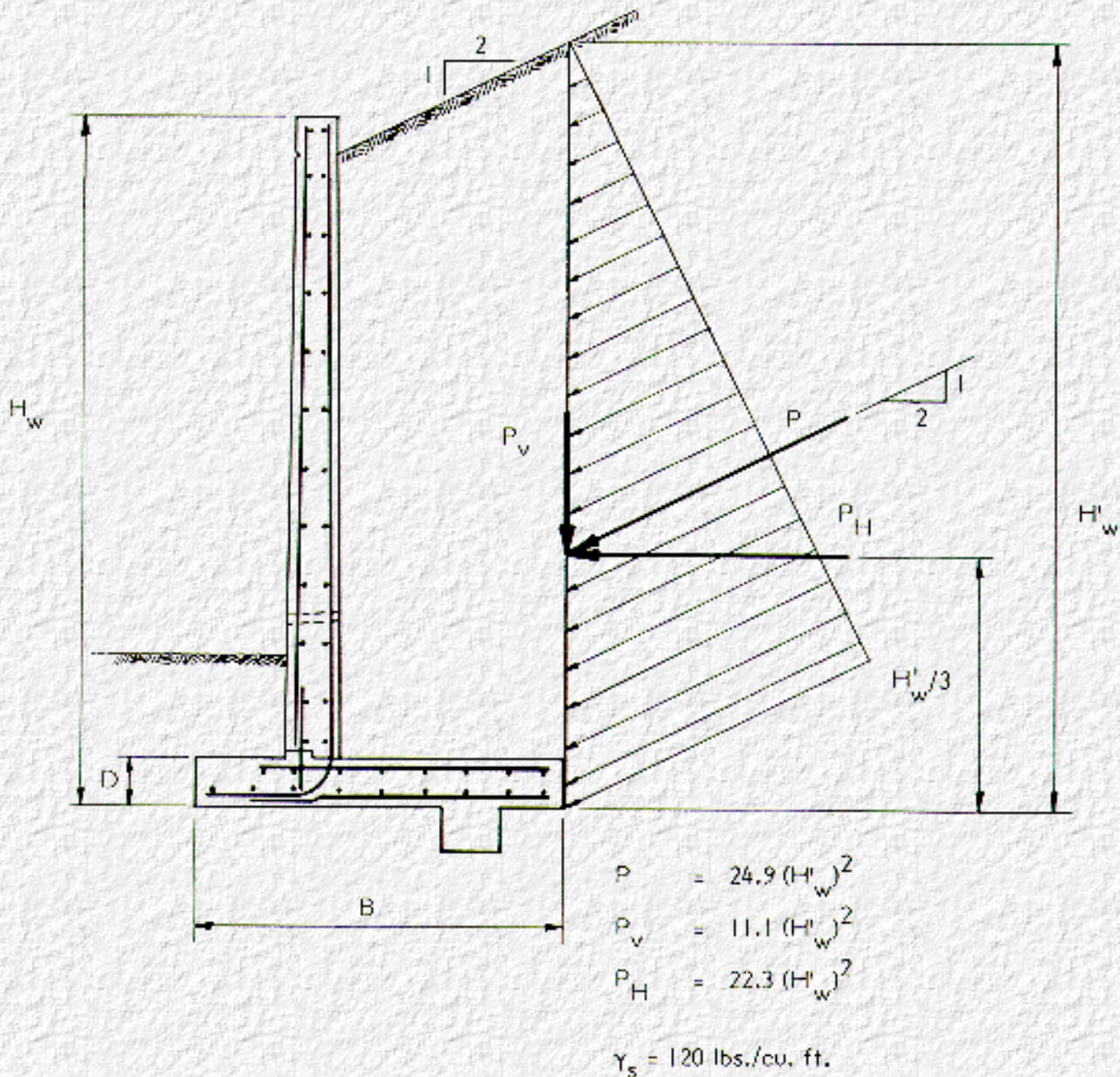


Figure 6-2. Loading Diagram and Typical Reinforcing Layout for Cantilever Type Retaining Wall

## 6.3 Apron Slabs

Apron slabs are slabs on grade in front of the culvert face section. They are primarily used to protect against erosion, and to hold the slope of fall sections. Apron slabs should be treated as

slabs on grade for design purposes.

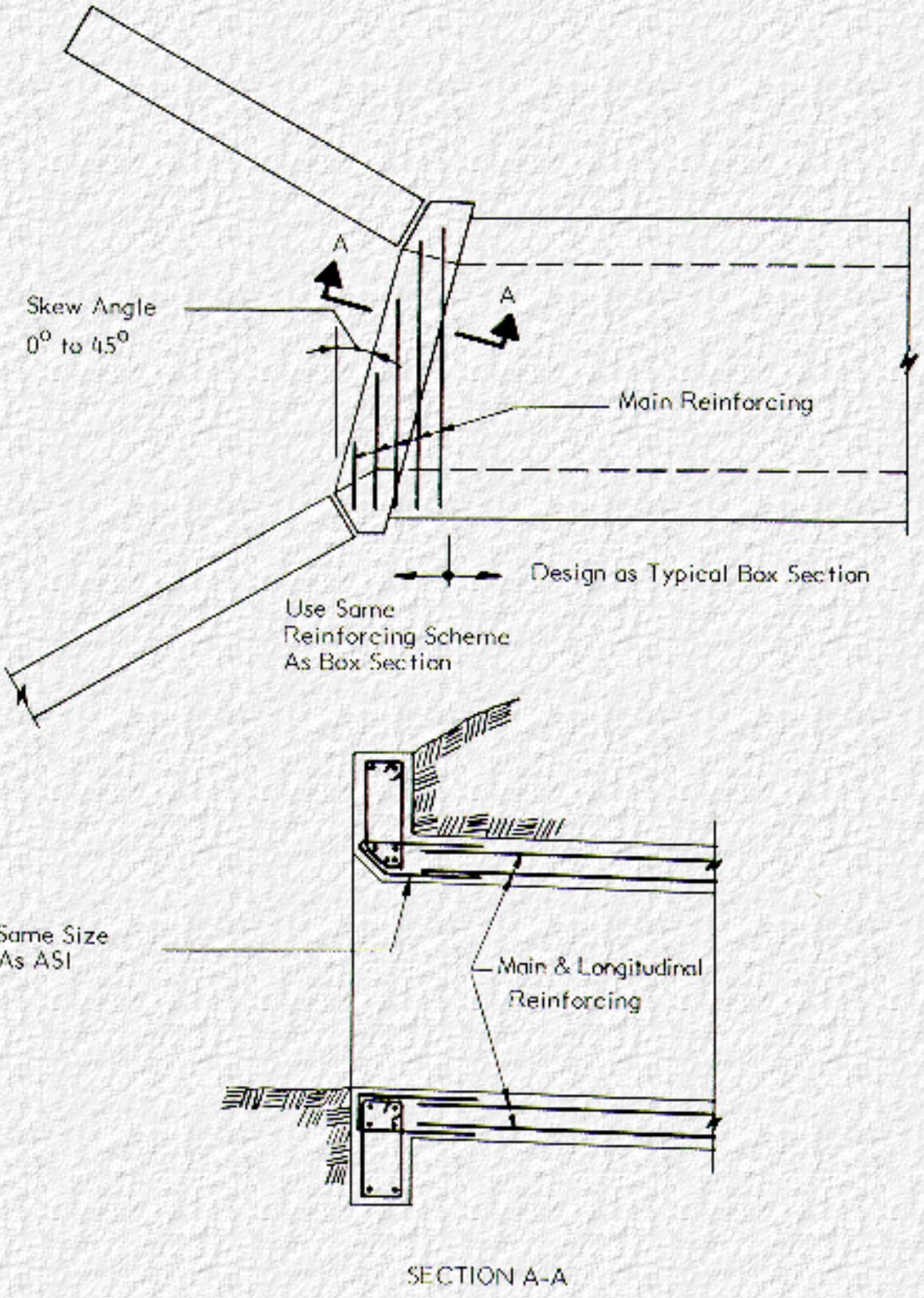


Figure 6-3. Skewed Headwall Detail



# Appendix A : FHWA-IP-83-6 Structural Design of Inlet Structures

[Go to Appendix B](#)

---

**AASHTO Standard Specifications for Highway Bridges - 1977, and 1978, 1979, 1980 and 1981 Interim Specifications**

Section 1.9 *Soil Corrugated Metal Structure Interaction Systems (pages 240-249E)*

Section 2.23 *Construction and Installation of Soil Metal Plate Structure Interaction Systems (pages 430-440)*

---

## **Section 9 - Soil Corrugated Metal Structure Interaction Systems**

---

### **1.9.1 General**

#### **(A) Scope**

The specifications of this section are intended for the structural design of corrugated metal structures. It must be recognized that a buried flexible structure is a composite structure made up of the metal ring and the soil envelope; and both materials play a vital part in the structural design of flexible metal structures.

#### **(B) Service Load Design**

This is a working stress method, as traditionally used for culvert design.

#### **(C) Load Factor Design**

This is an alternate method of design based on ultimate strength principles.

#### **(D) Loads**

Design load, P, shall be the pressure acting on the structure. For earth pressures see Article 1.2.2(A). For live load see Articles 1.2.3-1.2.9, 1.2.12 and 1.3.3, except that the words "When the depth of fill is 2 feet (0.610m) or more" in paragraph 1 of Art.1.3.3 need not be considered. For loading combinations see Article 1.2.22.

#### **(E) Design**

(1) The thrust in the wall must be checked by three criteria. Each considers the mutual function of the metal wall and the soil envelope surrounding it. The criteria are:

- (a) Wall area
- (b) Buckling stress
- (c) Seam strength (structures with longitudinal seams)

(2) Thrust in the wall is:

$$T = P \times S/2$$

Where

P = Design load, lbs/sq.ft. (N/m<sup>2</sup>)

S = Diameter or Span, ft. (m)

T = Thrust, lbs/ft. (N/m)

(3) Handling and installation strength.

Handling and installation strength must be sufficient to withstand impact forces when shipping and placing the pipe.

(4) Minimum cover

Height of cover over the structure must be sufficient to prevent damage to the buried structure. A minimum of 2 feet (.610m) is suggested.

**(F) Materials**

The materials shall conform to the AASHTO specifications referenced herein.

**(G) Soil Design**

(1) Soil parameters

The performance of a flexible culvert is dependent on soil structure interaction and soil stiffness.

The following must be considered:

(a) Soils

(1) The type and anticipated behavior of the foundation soil must be considered; i.e., stability for bedding and settlement under load.

(2) The type, compacted density and strength properties of the soil envelope immediately adjacent to the pipe must be established. Dimensions of culvert soil envelopeCgeneral recommended criteria for lateral limits are as follows:

Trench widthC2 ft. (.610m) minimum each side of culvert. This recommended limit should be modified as necessary to account for variables such as poor in situ soils.

Embankment installationsCone diameter or span each side of culvert.

The minimum upper limit of the soil envelope is one foot (.305m) above the culvert. Good side fill is considered to be a granular material with little or no plasticity and free of organic material, i.e., AASHTO classification groups A-1, A-2 and A-3 and compacted to a minimum 90 percent of standard density based on AASHTO Specifications T99 (ASTM D 698).

(3) The density of the embankment material above the pipe must be determined. See Article 1.2.2(A).

(2) Pipe arch design

Corner pressures must be accounted for in the design of the corner backfill. Corner pressure is considered to be approximately equal to thrust divided by the radius of the pipe arch corner. The soil envelope around the corners of pipe arches must be capable of supporting this pressure.

### (3) Arch design

(a) Special design considerations may be applicable. A buried flexible structure may raise two important considerations. First is that it is undesirable to make the metal arch relatively unyielding or fixed compared to the adjacent sidefill. The use of massive footings or piles to prevent any settlement of the arch is generally not recommended. Where poor materials are encountered consideration should be given to removing some or all of this poor material and replacing it with acceptable material. The footing should be designed to provide uniform longitudinal settlement, of acceptable magnitude from a functional aspect. Providing for the arch to settle will protect it from possible drag down forces caused by the consolidation of the adjacent sidefill.

The second consideration is bearing pressure of soils under footings. Recognition must be given to the effect of depth of the base of footing and the direction of the footing reaction from the arch.

Footing reactions for the metal arch are considered to act tangential to the metal plate at its point of connection to the footing. The value of the reaction is the thrust in the metal arch plate at the footing.

(b) Invert slabs and/or other appropriate alternates shall be provided when scour is anticipated.

#### **(H) Abrasive or Corrosive Conditions**

Extra metal thickness, or coatings, may be required for resistance to corrosion and/or abrasion.

For a highly abrasive condition, a special design may be required.

#### **(I) Minimum Spacing**

When multiple lines of pipes or pipe arches greater than 48 inches (1.219m) in diameter or span are used, they shall be spaced so that the sides of the pipe shall be no closer than one-half diameter or three feet (.914m), whichever is less, to permit adequate compaction of backfill material. For diameters up to and including 48 inches (1.219m), the minimum clear spacing shall be not less than two feet (.610m).

#### **(J) End Treatment**

Protection of end slopes may require special consideration where backwater conditions may occur, or where erosion and uplift could be a problem. Culvert ends constitute a major run-off-the-road hazard if not properly designed. Safety treatment such as structurally adequate grating that conforms to the embankment slope, extension of culvert length beyond the point of hazard, or provision of guard rail are among the alternatives to be considered.

End walls on skewed alignment require a special design.

#### **(K) Construction and Installation**

The construction and installation shall conform to Section 23, Division II.

---

## 1.9.2 Service Load Design

### (A) Wall Area

$$A = T_s / f_a$$

where

A = Required wall area, in<sup>2</sup>/ft Im<sup>2</sup>/m

T<sub>s</sub> = Thrust, Service Load, lbs/ft (N/m)

f<sub>a</sub> = Allowable stress-specified minimum yield point, psi (MPa), divided by safety factor (f<sub>y</sub>/SF)

### (B) Buckling

Corrugations with the required wall area, A, shall be checked for possible buckling.

If allowable buckling stress, f<sub>cr</sub>/SF, is less than f<sub>a</sub>, required area must be recalculated using f<sub>cr</sub>/SF in lieu of f<sub>a</sub>.

Formulae for buckling are:

$$\text{If } S < \frac{r}{k} \sqrt{\frac{24E_m}{f_u}} \text{ then } f_{cr} = f_u - \frac{f_u^2}{48E_m} \left( \frac{kS}{r} \right)^2$$

$$\text{If } S > \frac{r}{k} \sqrt{\frac{24E_m}{f_u}} \text{ then } f_{cr} = \frac{12E_m}{(kS/r)^2}$$

Where

f<sub>u</sub> = Specified minimum tensile strength, psi (MPa)

f<sub>cr</sub> = Critical buckling stress, psi (MPa)

k = Soil stiffness factor = 0.22

S = Diameter or span, inches (m)

r = Radius of gyration of corrugation, in. (m)

E<sub>m</sub> = Modulus of elasticity of metal, psi (MPa)

### (C) Seam Strength

For pipe fabricated with longitudinal seams (riveted, spot-welded, bolted), the seam strength shall be sufficient to develop the thrust in the pipe wall.

The required seam strength shall be:

$$SS = T_s (SF)$$

Where

SS = Required seam strength in pounds per foot (N/m)

T<sub>s</sub> = Thrust in pipe wall, lbs/ft (N/m)

SF = Safety Factor

### (D) Handling and Installation Strength



Handling and installation rigidity is measured by a Flexibility Factor, FF, determined by the formula

$$FF = s^2/E_m I$$

Where

FF = Flexibility Factor, inches per pound (m/N)

s = Pipe diameter or maximum span, inches (m)

$E_m$  = Modulus of elasticity of the pipe material, psi (MPa)

I = Moment of inertia per unit length of cross section of the pipe wall, inches to the 4th power per inch ( $m^4/m$ ).

---

### 1.9.3 Load Factor Design

#### (A) Wall Area

$$A = T_L/\phi f_y$$

Where

A = Area of pipe wall, in<sup>2</sup>/ft ( $m^2/m$ )

$T_L$  = Thrust, load factor, lbs/ft (N/m)

$f_y$  = Specified minimum yield point, psi (MPa)

$\phi$  = Capacity modification factor

#### (B) Buckling

If  $f_u$  is less than  $f_y$  then A must be recalculated using  $f_{cr}$  in lieu of  $f_y$ .

$$\text{If } s < \frac{r}{k} \sqrt{\frac{24E_m}{f_u}} \text{ then } f_{cr} = f_u - \frac{f_u^2}{48E_m} \left( \frac{kS}{r} \right)^2$$

$$\text{If } s > \frac{r}{k} \sqrt{\frac{24E_m}{f_u}} \text{ then } f_{cr} = \frac{12E_m}{(kS/r)^2}$$

Where

$f_u$  = Specified minimum metal strength, psi (MPa)

$f_c$  = Critical buckling stress, psi (MPa)

k = Soil stiffness factor = 0.22

s = Pipe diameter or span, inches (m)

r = Radius of gyration of corrugation, inches (m)

$E_m$  = Modulus of elasticity of metal, psi (MPa)

#### (C) Seam Strength

For pipe fabricated with longitudinal seams (riveted, spot-welded, bolted), the seam strength shall be sufficient to develop the thrust in the pipe wall. The required seam strength shall be:

$$SS = \frac{T_L}{\phi}$$

Where

SS = Required seam strength in pounds/ft (N/m)

$T_L$  = Thrust multiplied by applicable factor, in pounds/lin. ft. (N/m)

$\phi$  = Capacity modification factor

#### (D) Handling and Installation Strength

Handling rigidity is measured by a Flexibility Factor, FF, determined by the formula

$$FF = S^2/E_m I$$

Where

FF = Flexibility Factor, inches per pound (m/N)

s = Pipe diameter of maximum span, inches (m)

$E_m$  = Modulus of elasticity of the pipe material, psi (MPa)

I = Moment of inertia per unit length of cross section of the pipe wall, inches to the 4th power per inch ( $m^4/m$ ).

## 1.9.4 Corrugated Metal Pipe

### (A) General

(1) Corrugated metal pipe and pipe-arches may be of riveted, welded or lock seam fabrication with annular or helical corrugations.

The specifications are:

Aluminum  
AASHTO M190, M196

Steel  
AASHTO M36, M245, M190

(2) Service load design safety factor, SF:

Seam strength = 3.0

Wall area = 2.0

Buckling = 2.0

(3) Load factor design capacity modification factor,  $\phi$ . Helical pipe with lock seam or fully welded seam

$$\phi = 1.00$$

Annular pipe with spot welded, riveted or bolted seam

$$\phi = 0.67$$

(4) Flexibility factor

(a) For steel conduits, FF should generally not exceed the following values:

$\frac{1}{4}$ " (6.4mm) and  $\frac{1}{2}$ " (12.7mm) depth corrugation  $FF = 4.3 \times 10^{-2}$

1 " (25.4mm) depth corrugation FF = 3.3 X 10<sup>-2</sup>

(b) For aluminum conduits, FF should generally not exceed the following values:

¼" (6.4mm) and ½"(12.7mm) depth corrugation FF = 9.5 X 10<sup>-2</sup>

1" (25.4mm) depth corrugation FF = 6 X 10<sup>-2</sup>

(5) Minimum Cover

The minimum cover for design loads shall be Span/8 but not less than 12 inches (.305 m). (The minimum cover shall be measured from the top of rigid pavement or the bottom of flexible pavement).

For construction requirements see Article 2.23.10.

**(B) Seam Strength**

(1) Minimum Longitudinal Seam Strength

2 X 1/2(50.8 X 12.7) and 2-2/3 X 1/2 (67.8 X 12.7 mm) Corugated Steel Pipe Riveted or Spot Welded				3 X 1 (76.2 X 25.4 mm) Corrugated Steel Pipe Riveted or Spot Welded		
Thickness (inches) (mm)	Rivet Size (inches) (mm)	Single Rivets (Kips/ft) (kN/m)	Double Rivets (Kips/ft) (kN/m)	Thickness (inches) (mm)	Rivet Size (inches) (mm)	Double Rivets (Kips/ft) (kN/m)
0.064(1.63)	5/16(7.9)	16.7(244)	21.6(315)	0.064(1.63)	3/8(9.5)	28.7(419)
0.079(2.01)	5/16(7.9)	18.2(266)	29.8(435)	0.079(2.01)	3/8(9.5)	35.7(521)
0.109(2.77)	3/8(9.5)	23.4(342)	46.8(685)	0.109(2.77)	7/16(11.1)	53.0(773)
0.138(3.51)	3/8(9.5)	24.5(358)	49.0(715)	0.138(3.51)	7/16(11.1)	63.7(930)
0.168(4.27)	3/8(9.5)	25.6(374)	51.3(748)	0.168(4.27)	7/16(11.1)	70.7(1033)

2 X 1/2(50.8 X 12.7) and 2-2/3 X 1/2 (67.8 X 12.7mm) Corrugated Aluminum Pipe Riveted			
Thickness (inches) (mm)	Rivet Size (inches) (mm)	Single Rivets (Kips/ft) (kN/m)	Double Rivets (Kips/ft) (kN/m)
0.060(1.5)	5/16(7.9)	9.0(131)	14.0(204)
0.075(1.9)	5/16(7.9)	9.0(131)	18.0(263)
0.105(2.7)	3/8(9.5)	15.6(228)	31.5(460)
0.135(3.4)	3/8(9.5)	16.2(236)	33.0(482)
0.164(4.2)	3/8(9.5)	16.8(245)	34.0(496)

3 X 1 (76.2 X 25.4mm) Corrugated Aluminum Pipe Riveted			6 X 1 (152.4 x 25.4mm) Corrugated Aluminum Pipe Riveted		
Thickness (inches) (mm)	Rivet Size (inches) (mm)	Double Rivets (Kips/ft) (kN/m)	Thickness (inches) (mm)	Rivet Size (inches) (mm)	Double Rivets (Kips/ft) (kN/m)
0.060(1.5)	3/8(9.5)	16.5(239)	0.060(1.5)	1/2(12.7)	16.0(232)
0.075(1.9)	3/8(9.5)	20.5(297)	0.075(1.9)	1/2(12.7)	19.9(288)
0.105(2.7)	1/2(12.7)	28.0(406)	0.105(2.7)	1/2(12.7)	27.9(405)
0.135(3.4)	1/2(12.7)	42.0(608)	0.135(3.4)	1/2(12.7)	35.9(520)
0.164(4.2)	1/2(12.7)	54.5(790)	0.167(4.2)	1/2(12.7)	43.5(631)

## (C) Section Properties

### (1) Steel conduits

	1-1/2 X 1/4 (38.2 X 6.4mm), Corrugation			2-2/3 X 1/2 (67.8 x 12.7mm) Corrugation		
Thickness (inches) (mm)	A <sub>s</sub> (sq.in/ft) (mm <sup>2</sup> /m)	r (in.) (mm)	I X 10 <sup>-3</sup> (in <sup>4</sup> /in) (mm <sup>4</sup> /mm)	A <sub>s</sub> (sq.in/ft) (mm <sup>2</sup> /m)	r (in.) (mm)	I X 10 <sup>-3</sup> (in <sup>4</sup> /in) (mm <sup>4</sup> /mm)
0.028 (.71)	0.304 (643.5)					
0.034 (.86)	0.380 (804.3)					
0.040 (1.02)	0.456 (965.2)	0.0816 (2.07)	0.253 (4144.9)	0.465 (984.3)	0.1702 (4.32)	1.121 (18365.3)
0.052 (1.32)	0.608 (1286.9)	0.0824 (2.09)	0.344 (5635.8)	0.619 (1310.2)	0.1707 (4.34)	1.500 (24574.5)
0.064 (1.63)	0.761 (1610.8)	0.0832 (2.11)	0.439 (7192.1)	0.775 (1640.4)	0.1712 (4.35)	1.892 (30996.6)
0.079 (2.01)	0.950 (2010.8)	0.0846 (2.15)	0.567 (9289.2)	0.968 (2048.9)	0.1721 (4.37)	2.392 (39188.1)
0.109 (2.77)	1.331 (2817.3)	0.0879 (2.23)	0.857 (14040.2)	1.356 (2870.2)	0.1741 (4.42)	3.425 (56111.8)
0.138 (3.51)	1.712 (3623.7)	0.0919 (2.33)	1.205 (19741.5)	1.744 (3691.5)	0.1766 (4.49)	4.533 (74264.1)
0.168 (4.27)	2.098 (4440.8)	0.0967 (2.46)	1.635 (26786.2)	2.133 (4514.9)	0.1795 (4.56)	5.725 (93792.7)

	3 X 1 (76.2 X 25.4mm) Corrugation			5 x 1 (127 X 25.4mm) Corrugation		
Thickness (inches) (mm)	A <sub>s</sub> (sq.in/ft) (mm <sup>2</sup> /m)	r (in.) (mm)	I X 10 <sup>-3</sup> (in <sup>4</sup> /in) (mm <sup>4</sup> /mm)	A <sub>s</sub> (sq.in/ft) (mm <sup>2</sup> /m)	r (in.) (mm)	I X 10 <sup>-3</sup> (in <sup>4</sup> /in) (mm <sup>4</sup> /mm)
0.064 (1.63)	0.890 (1883.8)	0.3417 (8.68)	8.659 (141860)	0.794 (1680.6)	0.3657 (9.29)	8.850 (144990)
0.079 (2.01)	1.113 (2355.9)	0.3427 (8.70)	10.883 (178296)	0.992 (2099.7)	0.3663 (9.30)	11.092 (181720)
0.109 (2.77)	1.560 (3302.0)	0.3488 (8.86)	15.459 (253265)	1.390 (2942.2)	0.3677 (9.34)	15.650 (256394)
0.138 (3.51)	2.008 (4250.3)	0.3472 (8.82)	20.183 (330658)	1.788 (3784.6)	0.3693 (9.38)	20.317 (332853)
0.168 (4.27)	2.458 (5202.8)	0.3499 (8.89)	25.091 (411065)	2.186 (4627.0)	0.3711 (9.43)	25.092 (411082)

### (2) Aluminum conduits

	1-1/2 X 1/4 (38.2 X 6.4mm) Corrugation			2-2/3 X 1/2 (67.8 X 12.7mm) Corrugation		
Thickness (inches) (mm)	A <sub>s</sub> (sq.in/ft) (mm <sup>2</sup> /m)	r (in.) (mm)	I X 10 <sup>-3</sup> (in <sup>4</sup> /in) (mm <sup>4</sup> /mm)	A <sub>s</sub> (sq.in/ft) (mm <sup>2</sup> /m)	r (in.) (mm)	I X 10 <sup>-3</sup> (in <sup>4</sup> /in) (mm <sup>4</sup> /mm)
0.048 (1.22)	0.608 (1286.9)	0.0824 (2.09)	0.344 (5635.8)			
0.060 (1.52)	0.761 (1610.8)	0.0832 (2.11)	0.349 (5717.7)	0.775 (1640.4)	0.1712 (4.35)	1.892 (30996.6)

				0.968 (2048.9)	0.1721 (4.37)	2.392 (39188.1)
				1.356 (2870.2)	0.1741 (4.42)	3.425 (5611.8)
				1.745 (3693.6)	0.1766 (4.49)	4.533 (74264.1)
				2.130 (4508.5)	0.1795 (4.56)	5.725 (93792.7)

		3 X 1 (76.2 X 25.4mm) Corrugation			6 X 1 (52.4 X 25.4mm)		
Thickness (inches) (mm)	A <sub>s</sub> (sq.in/ft) (mm <sup>2</sup> /m)	r (in.) (mm)	I X 10 <sup>-3</sup> (in <sup>4</sup> /in) (mm <sup>4</sup> /mm)	A <sub>s</sub> (sq.in/ft) (mm <sup>2</sup> /m)	Effective Area (sq.in/ft) (mm <sup>2</sup> /m)	r (in.) (mm)	I X 10 <sup>-3</sup> (in <sup>4</sup> /in) (mm <sup>4</sup> /mm)
0.060 (1.52)	0.890 (1883.8)	0.3417 (8.68)	8.659 (141860)	0.775 (1640.4)	0.387 (819.2)	0.3629 (9.22)	8.505 (139337)
0.075 (1.91)	1.118 (2366.4)	0.3427 (8.70)	10.883 (178296)	0.968 (2048.9)	0.484 (1024.5)	0.3630 (9.22)	10.631 (174168)
0.105 (2.67)	1.560 (3302.0)	0.3488 (8.86)	15.459 (253265)	1.356 (2870.2)	0.678 (1435.1)	0.3636 (9.24)	14.340 (234932)
0.135 (3.43)	2.088 (4419.6)	0.3472 (8.82)	20.183 (330658)	1.744 (3691.5)	0.872 (1845.7)	0.3646 (9.26)	19.319 (316503)
0.164 (4.17)	2.458 (5202.8)	0.3499 (8.89)	25.091 (411065)	2.133 (4514.9)	1.066 (2256.4)	0.3656 (9.29)	23.760 (389260)

**(D) Chemical and Mechanical Requirements**

(1) Aluminum Corrugated Metal Pipe and Pipe-Arch Material requirements CAASHTO M 197

Mechanical properties for design

Minimum Tensile Strength psi (MPa)    Minimum Yield Point psi (MPa)    Mod. of Elast. psi (MPa)  
 31,000(213.737)                              24,000(165.474)                              10 X 10<sup>6</sup>(68947)

(2) Steel Corrugated Metal Pipe and Pipe-Arch Material requirements CAASHTO

M 218

M 246

Mechanical properties for design

Minimum Tensile Strength psi (MPa) 45,000(310.264)	Minimum Yield Point psi (MPa) 33,000(227.527)	Mod. of Elast. psi (MPa) 29 X 10 <sup>6</sup> (199948)
----------------------------------------------------------------	-----------------------------------------------------------	-----------------------------------------------------------------

**(E) Smooth Lined Pipe**

Corrugated metal pipe composed of a smooth liner and corrugated shell attached integrally at helical seams spaced not more than 30 inches (.762 m) apart may be designed in accordance with Article 1.9.1 on the same basis as a standard corrugated metal pipe having the same corrugations as the shell and a weight per foot (m) equal to the sum of the weights per foot (m) of liner and helically corrugated shell. The shell shall be limited to corrugations having a maximum pitch of 3 inches (76.2mm) and a thickness of not less than 60 percent of the total thickness of the equivalent standard pipe.

## 1.9.5 Structural Plate Pipe Structures

### (A) General

(1) Structural plate pipe, pipe arches, and arches shall be bolted with annular corrugations only.

The specifications are:

Aluminum  
AASHTO M219

Steel  
AASHTO M167

(2) Service load design safety factor, SF

Seam strength = 3.0

Wall area = 2.0

Buckling = 2.0

(3) Load factor design capacity modification factor,  $\phi$

$$\phi = 0.67$$

(4) Flexibility factor

(a) For steel conduits, FF should generally not exceed the following values:

6" X 2" (152.4 X 50.8mm) corrugation FF =  $2.0 \times 10^{-2}$  (Pipe)

6" X 2" (152.4 X 50.8mm) corrugation FF =  $3.0 \times 10^{-2}$  (Pipe-arch)

6" X 2" (152.4 X 50.8mm) corrugation FF =  $3.0 \times 10^{-2}$  (Arch)

(b) For aluminum conduits, FF should generally not exceed the following values:

9" X 2½" (228.6 X 63.5mm) corrugation FF =  $2.5 \times 10^{-2}$  (Pipe)

9" X 2½" (228.6 X 63.5mm) corrugation FF =  $3.6 \times 10^{-2}$  (Pipe-arch)

9" X 2½" (228.6 X 63.5mm) corrugation FF =  $7.2 \times 10^{-2}$  (Arch)

(5) Minimum cover

The minimum cover for design loads shall be Span/8 but not less than 12 inches (.305m). (The minimum cover shall be measured from the top of rigid pavement or the bottom of flexible pavement.) For Construction requirements see Article 2.23.10.

### (B) Seam Strength

Minimum Longitudinal Seam Strengths 6 X 2 (152.4 X 50.8mm) Steel Structure Plate Pipe				
Thickness (inches) (mm)	Bolt Size (inch) (mm)	4 Bolts/ft(.305) (Kips/ft) (kN/m)	6 Bolts/ft(.305) (Kips/ft) (kN/m)	8 Bolts/ft(.305) (Kips/ft) (kN/m)
0.109(2.77)	3/4(19.1)	43.0(627.8)		
0.138(3.51)	3/4(19.1)	62.0(905.2)		
0.168(4.27)	3/4(19.1)	81.0(1182.6)		
0.188(4.78)	3/4(19.1)	93.0(1357.8)		
0.218(5.54)	3/4(19.1)	112.0(1635.2)		
0.249(6.32)	3/4(19.1)	132.0(1927.2)		
0.280(7.11)	3/4(19.1)	144.0(2102.4)	180(2628.0)	194(2832.4)

9 X 2-½ (2228.6 X 63.5mm) Aluminum Structural Plate Pipe			
Thickness (inches) (mm)	Bolt Size (inch) (mm)	Steel Bolts 5-½ Bolts Per ft(.305) (Kips/ft) (kN/m)	Aluminum Bolts 5-½ Bolts Per ft(.305) (Kips/ft) (kN/m)
0.10(2.54)	3/4(19.1)	28.0(408.8)	26.4(385.4)
0.125(3.18)	3/4(19.1)	41.0(598.6)	34.8(508.1)
0.15(3.81)	3/4(19.1)	54.1(789.9)	44.4(648.2)
0.175(4.45)	3/4(19.1)	63.7(930.0)	52.8(770.9)
0.200(5.08)	3/4(19.1)	73.4(1071.6)	52.8(770.9)
0.225(5.72)	3/4(19.1)	83.2(1214.7)	52.8(770.9)
0.250(6.35)	3/4(19.1)	93.1(1359.3)	52.8(770.9)

### (C) Section Properties

#### (1) Steel conduits

6" X 2" (152.4 X 50.8mm) Corrugations			
Thickness (inches) (mm)	A <sub>s</sub> (sp.in/ft) mm <sup>2</sup> /m	r (in.) (mm)	1 X 10 <sup>-3</sup> (in. <sup>4</sup> /in) (mm <sup>4</sup> /mm)
0.109(2.77)	1.556(3293.5)	0.682(17.32)	60.411(989713)
0.138(3.51)	2.003(4139.7)	0.684(17.37)	78.175(1280741)
0.168(4.17)	2.449(5183.7)	0.686(17.42)	96.163(1575438)
0.188(4.78)	2.739(5797.6)	0.688(17.48)	108.000(1769364)
0.21(5.54)	3.199(6771.2)	0.690(17.53)	126.922(2079363)
0.249(6.32)	3.650(7725.8)	0.692(17.58)	146.172(2394735)
0.280(7.11)	4.119(8718.6)	0.695(17.65)	165.836(2716891)

9" X 2-½" (228.6 X 63.5mm) Corrugations			
Thickness (inches) (mm)	A <sub>s</sub> (sp.in/ft) mm <sup>2</sup> /m	r (in.) (mm)	1 X 10 <sup>-3</sup> (in. <sup>4</sup> /in) (mm <sup>4</sup> /mm)
0.100(2.54)	1.404(2971.8)	0.8438(21.49)	83.065(136054)
0.125(3.18)	1.750(3704.2)	0.8444(21.45)	103.991(1703685)
0.150(3.81)	2.100(4445.0)	0.8449(21.46)	124.883(2045958)
0.175(4.45)	2.449(5183.72)	0.8454(21.47)	145.895(2390198)
0.200(5.08)	2.799(5924.6)	0.8460(21.49)	166.959(2735289)
0.225(5.72)	3.149(6665.4)	0.8468(21.51)	188.179(3082937)
0.250(6.35)	3.501(7410.5)	0.8473(21.52)	209.434(3431157)

### (D) Chemical and Mechanical Properties

#### (1) Aluminum—Structural plate pipe, pipe-arch, and arch

Material requirement—AASHTO M 167

Mechanical Properties for Design			
Thickness (inches) (mm)	Minimum Tensile Strength psi(MPa)	Minimum Yield point psi(MPa)	Mod. of Elast. psi(MPa)

0.100 to 0.175 (2.54 to 4.45)	35,000 (241.316)	24,000 (165.474)	10 X 10 <sup>6</sup> (68947)
0.176 to 0.250 (4.47 to 6.35)	34,00 (234.421)	24,000 (165.474)	10 X 10 <sup>6</sup> (68947)

(2) Steel—Structural plate pipe, Pipe-arch, and arch  
Material requirements—AASHTO M 167

Mechanical Properties for Design		
Minimum Tensile Strength psi(MPa)	Minimum Yield point psi(MPa)	Mod. of Elast. psi(MPa)
45,000 (310.264)	33,000 (227.527)	29 X 10 <sup>6</sup> (199948)

**(E) Structural Plate Arches**

The design of structural plate arches should be based on ratios of a rise to span of 0.3 minimum.

## 1.9.6 Long Span Structural Plate Structures

**(A) General**

Long Span structural plate structures are short span bridges defined as:

- (1) Structural Plate Structures (pipe, pipe-arch, and arch) which exceed maximum sizes imposed by 1.9.5.
- (2) Special shapes of any size which involve a relatively large radius of curvature in crown or side plates. Vertical ellipses, horizontal ellipses, underpasses, low profile arches, high profile arches, and inverted pear shapes are the terms describing these special shapes.

Wall Strength and Chemical and Mechanical Properties shall be in accordance with Article 1.9.5. The construction and installation shall conform to Section 23, Division II.

**(B) Design**

Long span structures shall be designed in accordance with Art. 1.9.1, 1.9.2 or 1.9.3 and 1.9.5. Requirements for buckling and flexibility factor do not apply. Substitute twice the top arc radius for the span in the formulae for thrust. Long span structures shall include acceptable special features. Minimum requirements are detailed in [Table 1](#).

(2) Acceptable special features

- (a) Continuous longitudinal structural stiffeners connected to the corrugated plates at each side of the top arc. Stiffeners may be metal or reinforced concrete or combination thereof.
- (b) Reinforcing ribs formed from structural shapes curved to conform to the curvature of the plates, fastened to the structure as required to insure integral action with the corrugated plates, and spaced at such intervals as necessary to increase the moment of inertia of the section to that required by the design.

(3) Design for deflection



Soil design and placement requirements for long span structures limit deflection satisfactorily. However, construction procedures must be such that severe deformations do not occur during construction.

#### (4) Soil design

Granular type soils shall be used as structure backfill (the envelope next to the metal structure). The order of preference of acceptable structure backfill materials is as follows:

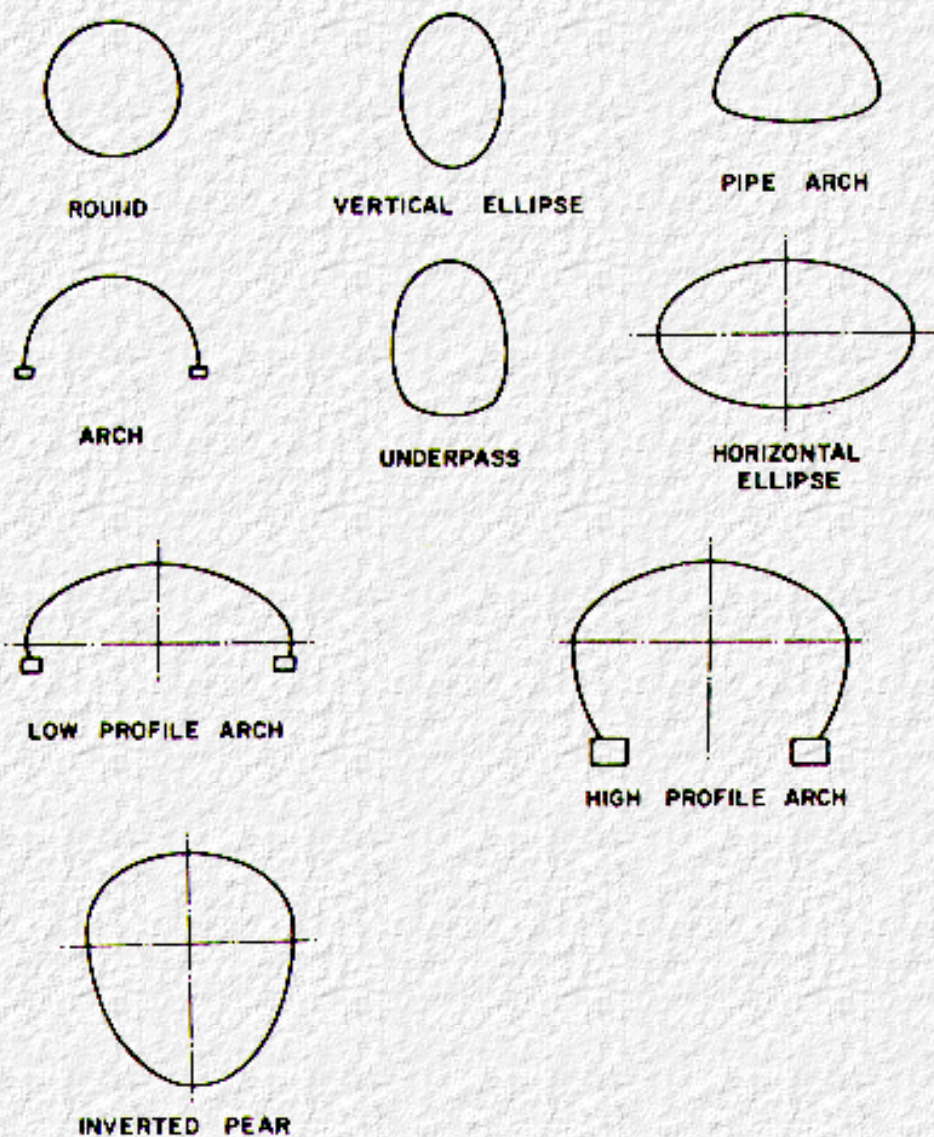
- (a) Well graded sand and gravel; sharp, rough or angular if possible.
- (b) Uniform sand or gravel.
- (c) Approved stabilized soil shall be used only under direct supervision of a competent, experienced soils engineer. Plastic soils shall not be used.

The structure backfill material shall conform to one of the following soil classifications from AASHTO Specification M 145, Table 2: For height of fill less than 12 feet (3.658m), A-1, A-3, A-2-4 and A-2-5; for height of fill of 12 feet (3.658m) and more, A-1, A-3. Structure backfill shall be placed and compacted to not less than 90 percent density per AASHTO T 180.

The extent of the select structural backfill about the barrel is dependent on the quality of the adjacent embankment. For ordinary installations, with good quality, well compacted embankment or in situ soil adjacent to the structure backfill, a width of structural backfill six feet (1.829m) beyond the structure is sufficient. The structure backfill shall also extend to an elevation two (.610m) to four feet (1.219m) over the structure.

It is not necessary to excavate native soil at the sides if the quality of the native soil is already as good as the proposed compacted side-fill. The soil over the top shall also be select and shall be carefully and densely compacted.

#### **(C) Structural Plate Shapes**



**Figure A-1.9.6**

**(D) End Treatment**

When headwalls are not used, special attention may be necessary at the ends of the structure. Severe bevels and skew are not recommended. For hydraulic structures, additional reinforcement of the end is recommended to secure the metal edges at inlet and outlet against hydraulic forces. Reinforced concrete or structural steel collars, or tension tiebacks or anchors in soil, partial headwalls and cut off walls below invert elevation are some of the methods which can be used. Square ends may have side plates beveled up to a maximum 2:1 slope. Skew ends up to 15° with no bevel, are permissible. When this is done on spans over 20 feet (6.096m) the cut edge must be reinforced with reinforced concrete or structural steel collar. When full head. walls are used and they are skewed, the offset portion of the metal structure shall be supported by the headwall. A special headwall shall be designed for skews exceeding 15°. The maximum skew shall be limited to 35°.

**(E) Multiple Structures**

Care must be exercised on the design of multiple, closely spaced structures to control unbalanced loading. Fills should be kept level over the series of structures when possible. Significant roadway grades across the series of structures require checking stability of the flexible structures under the resultant unbalanced loading.

**Table A-1. Minimum Requirements for Long Span Structures with Acceptable Special Features**

I. Top Arc	Top Radius in ft (m)				
	15 (4.572)	17-20 (4.572-5.182)	20-23 (6.096-6.096)	20-23 (6.096-7.010)	23-25 (7.010-7.620)
Minimum Thickness (mm) 6 X 2 Corrugated Steel Plates (152.4 X 50.8)	.109" (2.77)	.138" (3.51)	.168" (4.27)	.218" (5.54)	.294" (6.32)
II Minimum Cover in ft. (m)					
Top Radius in ft. (m)					
Steel Thickness <sup>1</sup> in in.(mm)	15 (4.572)	15-17 (4.572-5.182)	20-23 (6.096-6.096)	20-23 (6.096-7.010)	23-25 (7.010-7.620)
.019 (.277)	2.5 (.762)				
.138 (3.51)	2.5 (.762)	3.0 (.914)			
.168 (4.27)	2.5 (.762)	3.0 (.914)			
.188 (4.78)	2.5 (.762)	3.0 (.914)	3.0 (.914)		
.218 (5.54)	2.0 (.762)	2.5 (.914)	3.0 (.914)	3.0 (9.14)	
.294 (6.32)	2.0 (.762)	2.0 (.914)	2.5 (.762)	3.0 (.914)	4.0 (1.219)
.280 (7.11)	2.0 (.762)	2.0 (.914)	2.5 (.762)	3.0 (.914)	4.0 (1.219)
III. Geometric Limits					
A. Maximum Plate Radius-25 Ft. (7.620m) B. Maximum Central Angle of Top Arc = 80° C. Minimum Ratio, Top Arc Radius to Side Arc Radius =2 D. Maximum Ratio, Top Arc Radius to Side Arc Radius = 5*					
<i>*Note: Sharp radii generate high soil bearing pressures. Avoid high ratios when significant heights of fill are involved.</i>					
IV. Special Designs					
Structures not described herein shall be regarded as special designs.					
1. When reinforcing ribs are used the moment of inertia of the composite section shall be equal to or greater than the moment of inertia of the minimum plate thickness shown.					

# Section 23 - Construction and Installation of Soil Metal Plate Structure Interaction System

## 2.23.1 General

This item shall consist of furnishing corrugated metal or structural plate pipe, pipe-arches and arches conforming to these specifications and of the sizes and dimensions required on the plans, and installing such structures at the places designated on the plans or by the Engineer, and in conformity with the lines and grades established by the Engineer. Pipe shall be either circular or elongated as specified or shown on the plans.

The thickness of plates or sheets shall be as determined in Art. 1.9.2, Division I, and the radius of curvature shall be as shown on the plans. Each plate or sheet shall be curved to one or more circular arcs.

The plates at longitudinal and circumferential seams of structural plates shall be connected by bolts. Joints shall be staggered so that not more than three plates come together at any one point.

---

## **2.23.2 Forming and Punching of Corrugated Structural Plates and Sheets for Pipe**

### **(A) Structural Plate Pipe**

Structural plates of steel shall conform to the requirements of AASHTO M 167 and aluminum to the requirements of AASHTO M 219.

Plates shall be formed to provide lap joints. The bolt holes shall be so punched that all plates having like dimensions, curvature, and the same number of bolts per foot (m) of seam shall be interchangeable. Each plate shall be curved to the proper radius so that the cross-sectional dimensions of the finished structure will be as indicated on the drawings or as specified.

Unless otherwise specified, bolt holes along those edges of the plates that form longitudinal seams in the finished structure shall be in two rows. Bolt holes along those edges of the plates that form circumferential seams in the finished structure shall provide for a bolt spacing of not more than 12 in. (0.305m). The minimum distance from center of hole to edge of the plate shall be not less than 1-3/4 times the diameter of the bolt. The diameter of the bolt holes in the longitudinal seams shall not exceed the diameter of the bolt by more than 1/8 inch (3.2mm).

Plates for forming skewed or sloped ends shall be cut so as to give the angle of skew or slope specified. Burned edges shall be free from oxide and bum and shall present a workmanlike finish. Legible identification numerals shall be placed on each plate to designate its proper position in the finished structure.

### **(B) Corrugated Metal Pipe**

Corrugated steel pipe shall conform to the requirements of AASHTO M 36 and aluminum to the requirements of AASHTO M 196.

Punching and forming of sheets shall conform to AASHTO M 36.

### **(C) Elongation**

If elongated structural plate or corrugated metal pipe is specified or called for on the plans, the plates or pipes shall be formed so that the finished pipe is elliptical in shape with the vertical diameter approximately five percent greater than the nominal diameter of the pipe. Pipe-arches shall not be elongated. Elongated pipes shall be installed with the longer axis vertical.

---

## **2.23.3 Assembly**

### **(A) General**

Corrugated metal pipe, and structural plate pipe shall be assembled in accordance with the manufacturer's instructions. All pipe shall be unloaded and handled with reasonable care. Pipe or plates shall not be rolled or dragged over gravel or rock and shall be prevented from striking rock or other

hard objects during placement in trench or on bedding.

Corrugated metal pipe shall be placed on the bed starting at downstream end with the inside circumferential laps pointing downstream.

Bituminous coated pipe and paved invert pipe shall be installed in a similar manner to corrugated metal pipe with special care in handling to avoid damage to coatings. Paved invert pipe shall be installed with the invert pavement placed and centered on the bottom.

Structural plate pipe, pipe arches, and arches shall be installed in accordance with the plans and detailed erection instructions. Bolted longitudinal seams shall be well fitted with the lapping plates parallel to each other. The applied bolt torque for 3/4" (19.1 mm) diameter high strength steel bolts shall be a minimum of 100 ft.-lbs. (135.58Nm) and a maximum of 300 ft. lbs. (406.74Nm); for 3/4" (19.1mm) diameter aluminum bolts, the applied bolt torque shall be a minimum of 100 ft.-lbs. (135.58Nm) and a maximum of 150 ft. lbs. (203.37Nm). There is no structural requirement for residual torque; the important factor is the seam fit-up.

Joints for corrugated metal culvert and drainage pipe shall meet the following performance requirements:

#### (1) Field Joints

Transverse field joints shall be of such design that the successive connection of pipe sections will form a continuous line free from appreciable irregularities in the flow line. In addition, the joints shall meet the general performance requirements described in items (1) through (3). Suitable transverse field joints, which satisfy the requirements for one or more of the subsequently defined joint performance categories, can be obtained with the following types of connecting bands furnished with the suitable band-end fastening devices.

- (a) Corrugated bands
- (b) Bands with projections
- (c) Flat bands
- (d) Bands of special design that engage factory reformed ends of corrugated pipe.

Other equally effective types of field joints may be used with the approval of the Engineer.

#### (2) Joint Types

Applications may require either "Standard" or "Special" joints. Standard joints are for pipe not subject to large soil movements or disjuncting forces, these joints are satisfactory for ordinary installations, where simple slip type joints are typically used. Special joints are for more adverse requirements such as the need to withstand soil movements or resist disjuncting forces. Special designs must be considered for unusual conditions as in poor foundation conditions. Down drain joints are required to resist longitudinal hydraulic forces. Examples of this are steep slopes and sharp curves.

#### (3) Soil Conditions

The requirements of the joints are dependent upon the soil conditions at the construction site. Pipe backfill which is not subject to piping action is classified as "Nonerodible." Such backfill typically includes granular soil (with grain sizes equivalent to coarse sand, small gravel, or larger) and cohesive clays.

Backfill that is subject to piping action, and would tend either to infiltrate the pipe or to be easily washed by exfiltration of water from the pipe, is classified as "Erodible." Such backfill typically includes fine sands, and silts.

Special joints are required when poor soil conditions are encountered such as when the backfill or foundation material is characterized by large soft spots or voids. If construction in such soil is unavoidable, this condition can only be tolerated for relatively low fill heights, since the pipe must span the soft spots and support imposed loads. Backfills of organic silt, which are typically semifluid during installation, are included in this classification.

#### (4) Joint Properties

The requirements for joint properties are divided into the six categories shown on [Table 2.23.3](#). Properties are defined and requirements are given in the following Paragraphs (a) through (I). The values for various types of pipe can be determined by a rational analysis or a suitable test.

(a) Shear StrengthCThe shear strength required of the joint is expressed as a percent of the calculated shear strength of the pipe on a transverse cross section remote from the joint.

(b) Moment StrengthCThe moment strength required of the joint is expressed as a percent of the calculated moment capacity of the pipe on a transverse cross section remote from the joint. In lieu of the required moment strength, the pipe joint may be furnished with an allowable slip as defined in Paragraph (4)(c).

(c) Allowable SlipCThe allowable slip is the maximum slip that a pipe can withstand without disjoints, divided by a factor of safety.

(d) SoiltightnessCSoil tightness refers to openings in the joint through which soil may infiltrate. Soiltightness is influenced by the size of the opening (maximum dimension normal to the direction that the soil may infiltrate) and the length of the channel (length of the path along which the soil may infiltrate). No opening may exceed 1 inch (.025m). In addition, for all categories, if the size of the opening exceeds 1/8 inch (.003m), the length of the channel must be at least four times the size of the opening. Furthermore, for non-erodible, erodible, or poor soils, the ratio of  $D_{85}$  soil size to size of opening must be greater than 0.3 for medium to fine sand or 0.2 for uniform sand; these ratios need not be met for cohesive backfills where the plasticity index exceeds 12. As a general guideline, a backfill material containing a high percentage of fine grained soils requires investigation for the specific type of joint to be used to guard against soil infiltration.

(e) WatertightnessCWatertightness may be specified for joints of any category where needed to satisfy other criteria. The leakage rate shall be measured with the pipe in place or at an approved test facility.

#### (B) Assembly of Long-Span Structures

Long-span structures covered in Article 1.9.10 may require deviation from the normal good practice of loose bolt assembly. Unless held in shape by cables, struts, or backfill, longitudinal seams should be tightened when the plates are hung. Care should be taken to properly align plates circumferentially and

to avoid permanent distortion from specified shape. This may require temporary shoring. The variation before backfill shall not exceed 2 percent of the span or rise, whichever is greater, but in no case shall exceed 5 inches (.127m). The rise of arches with a ratio of top to side radii of three or more should not deviate from the specified dimensions by more than 1 percent of the span.

## 2.23.4 Bedding

When, in the opinion of the Engineer, the natural soil does not provide a suitable bedding, a bedding blanket conforming to [Figure 2.23A](#) shall be provided. Bedding shall be uniform for the full length of the pipe.

Bedding of long-span structures with invert plates exceeding 12 ft. (3.658m) in radius requires a preshaped excavation or bedding blanket for a minimum width of 10 ft. (3.048m) or half the top radius of the structure, whichever is less. This preshaping may be a simple "v" shape fine graded in the soil in accordance with [Figure 2.23E](#).

**Table A-2.23.3 Categories of Pipe Joints**

Soil Condition	Non-Erodible		Erodible		Poor
	Standard	Positive	Standard	Positive	Standard
Shear	2%	10%	10%	10%	25%
Moment <sup>1</sup>	0	10	0	10	10
Tensile 0-42" Dia (0-1.066 m)	0	5000 lbs (22.24 kN)		5000 lbs (22.24 kN)	5000 lbs (22.24 kN)
48"-84" Dia (1.219-2.134 m)		10,000 lbs (44.48 kN)		10,000 lbs (44.48 kN)	10,000 lbs (44.48 kN)
Slip		1 in.(.025 m)		1 in.(.025 m)	
Soiltightness <sup>2</sup>	NA	NA	0.3 or 0.2	0.3 or 0.2	0.3 or 0.2
Watertightness	See Paragraph (A)(4)(e)				

<sup>1</sup> See Paragraph (4)(b)

<sup>2</sup> Minimum b ratio of  $D_{85}$  soil size of opening 0.3 for medium to fine sand and 0.2 for uniform sand. Structural plate pipe, pipe-arches, and arches shall be installed in accordance with the plans and detailed erection instructions.

## 2.23.5 Pipe Foundation

The foundation material under the pipe shall be investigated for its ability to support the load. If rock strata or boulders are closer than 12 inches (.305m) under the pipe, the rock or boulders shall be removed and replaced with suitable granular material as shown in [Figure 2.23B](#). Where, in the opinion of the Engineer, the natural foundation soil is such as to require stabilization, such material shall be replaced by a layer of suitable granular material as shown in [Figure 2.23C](#). Where an unsuitable material (peat, muck, etc ) is encountered at or below invert elevation during excavation, the necessary subsurface exploration and analysis shall be made and corrective treatment shall be as directed by the Engineer.

For shapes such as pipe arches, horizontal ellipses or underpasses, where relatively large radius inverts are joined by relatively small radius corners or sides, the corrective treatment shall provide for principal support of the structure at the adjoining corner or side plates and insure proper settlement of those high pressure zones relative to the low pressure zone under the invert, as shown in [Figure 2.23F](#). This allows the invert to settle uniformly.

---

## 2.23.6 Fill Requirements

### (A) Sidefill

Sidefill material within one pipe diameter of the sides of pipe and not less than one foot (.305m) over the pipe shall be fine readily compactible soil or granular fill material. Sidefill beyond these limits may be regular embankment fill. Job-excavated soil used as backfill shall not contain stones retained on a 3-inch (76.2mm) ring, frozen lumps, chunks of highly plastic clay, or other objectionable material. Sidefill material shall be noncorrosive.

Sidefill material shall be placed as shown in [Figure 2.23D](#), in layers not exceeding 6 inches (.152m) in compacted thickness at near optimum moisture content by engineer-approved equipment to the density required for superimposed embankment fill. Other approved compacting equipment may be used for sidefill more than 3 feet (.914m) from sides of pipe. The sidefill shall be placed and compacted with care under the haunches of the pipe and shall be brought up evenly and simultaneously on both sides of the pipe to not less than 1 foot (.305m) above the top for the full length of the pipe. Fill above this elevation may be material for embankment fill. The width of trench shall be kept to the minimum width required for placing pipe, placing adequate bedding and sidefill, and safe working conditions. Ponding or jetting of sidefill will not be permitted except upon written permission by the Engineer.

### (B) Backfill For Long-Span Structures

While basic backfill requirements for long-span structural-plate structures are similar to those for smaller structures, their size is such that excellent control of soil placement and compaction must be maintained. Because these structures are especially designed to fully mobilize soil-structure interaction, a large portion of their full strength is not realized until backfill (sidefill and overfill) is in place. Of particular importance is control of structure shape. Equipment and construction procedures used shall be such that excessive structure distortion will not occur. Structure shape shall be checked regularly during backfilling to verify acceptability of the construction methods used. Magnitude of allowable shape changes will be specified by the manufacturer (fabricator of long-span structures). The manufacturer shall provide a qualified construction inspector to aid the Engineer during all structure backfilling. The Inspector shall advise the Engineer on the acceptability of all backfill material and methods and the proper monitoring of the shape. Structure backfill material shall be placed in horizontal uniform layers not exceeding 8 inches (.203m) in thickness after compaction and shall be brought up uniformly on both sides of the structure. Each layer shall be compacted to a density not less than 90 percent per AASHTO T 180. The structure backfill shall be constructed to the minimum lines and grades shown on the plans, keeping it at or below the level of adjacent soil. Permissible exceptions to required structure backfill density are: the area under the invert, the 12 inch to 18 inch (.305 to .457 m) width of soil immediately adjacent to the large radius side plates of high profile arches and inverted pear shapes, and the lower portion of the first horizontal lift of overfill carried ahead of and under heavy construction earth movers initially crossing the structure.

---

## 2.23.7 Bracing

Temporary bracing shall be installed and shall remain in place as required to protect workmen during construction.

For long-span structures which require temporary bracing to handle backfilling loads, the bracing shall not be removed until the fill is completed or to a height over the crown equal to 1/4 the span.

---



## **2.23.8 Camber**

The invert grade of the pipe shall be cambered, when required, by an amount sufficient to prevent the development of a sag or back slope in the flow line as the foundation under the pipe settles under the weight of embankment. The amount of camber shall be based on consideration of the flow-line gradient, height of fill, compressive characteristics of the supporting soil, and depth of supporting soil stratum to rock.

When specified on the plans, long-span structures shall be vertically elongated approximately 2 percent during installation to provide for compression of the backfill under higher fills.

---

## **2.23.9 Arch Substructures and Headwalls**

Substructures and headwalls shall be designed in accordance with the requirements of Division I.

Each side of each arch shall rest in a groove formed into the masonry or shall rest on a galvanized angle or channel securely anchored to or embedded in the substructure. Where the span of the arch is greater than 15 feet (4.572m) or the skew angle is more than 20 degrees, a metal bearing surface, having a width of at least equal to the depth of the corrugation, shall be provided for all arches.

Metal bearings may be either rolled structural or cold formed galvanized angles or channels, not less than 3/16 inch (4.8mm) in thickness with the horizontal leg securely anchored to the substructure on a maximum of 24 inch (.610m) centers. When the metal bearing is not embedded in a groove in the substructure, one vertical leg should be punched to allow bolting to the bottom row of plates.

Where an invert slab is provided which is not integral with the arch footing, the invert slab shall be continuously reinforced.

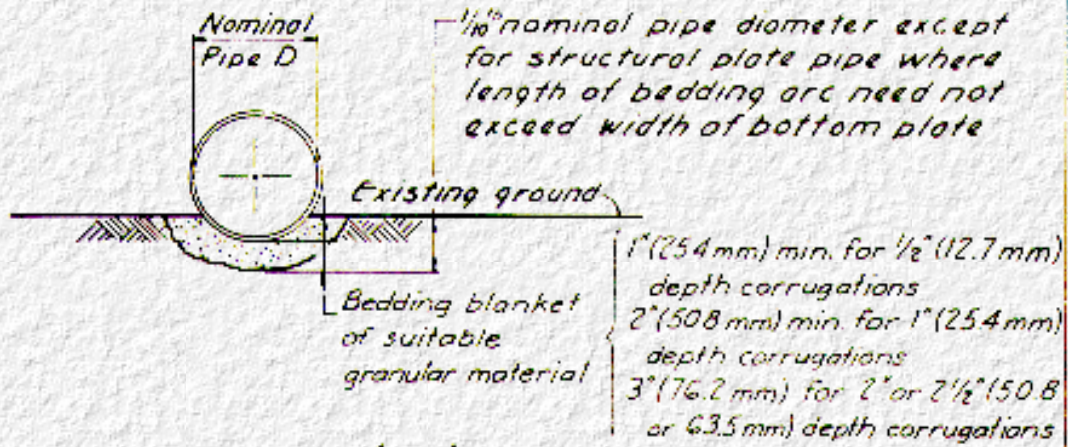
When backfilling arches before headwalls are placed, the first material shall be placed midway between the ends of the arch, forming as narrow a ramp as possible until the top of the arch is reached. The ramp shall be built evenly from both sides and the backfilling material shall be thoroughly compacted as it is placed. After the two ramps have been built to depth specified to the top of the arch, the remainder of the backfill shall be deposited from the top of the arch both ways from the center to the ends, and as evenly as possible on both sides of the arch.

If the headwalls are built before the arch is backfilled, the filling material shall first be placed adjacent to one headwall, until the top of the arch is reached, after which the fill shall be dumped from the top of the arch toward the other headwall, with care being taken to deposit the material evenly on both sides of the arch.

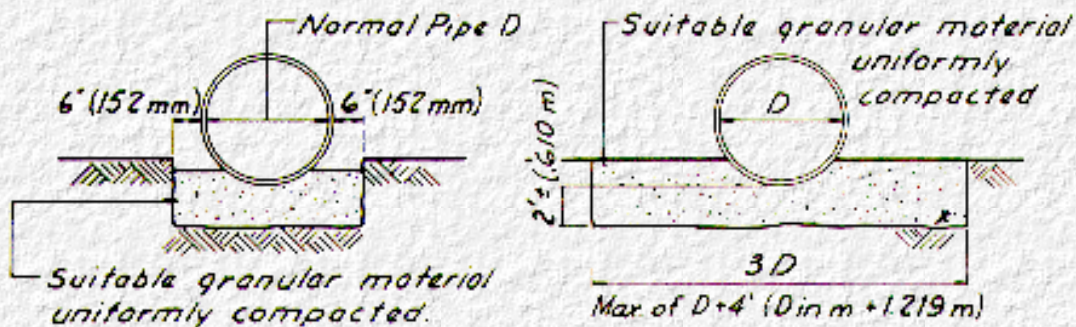
In multiple installations the procedure above specified shall be followed, but extreme care shall be used to bring the backfill up evenly on each side of each arch so that unequal pressure will be avoided.

In all cases the filling material shall be thoroughly but not excessively tamped. Puddling the backfill will not be permitted.

Figure 223 Pipe Bedding, Foundation & Sidefill

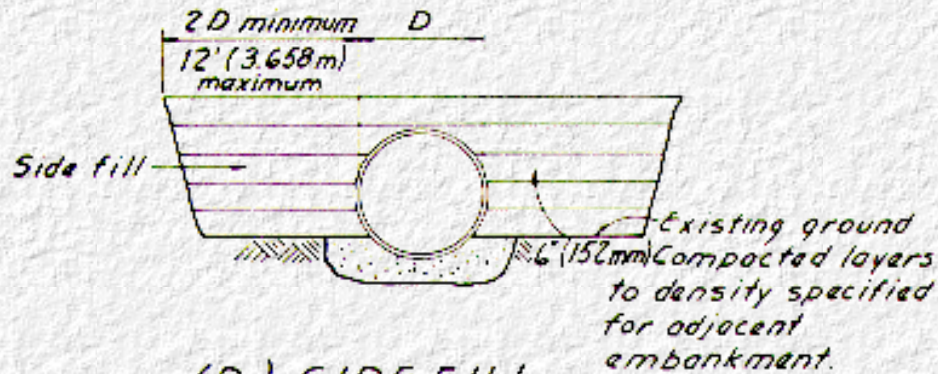


(A.) BEDDING

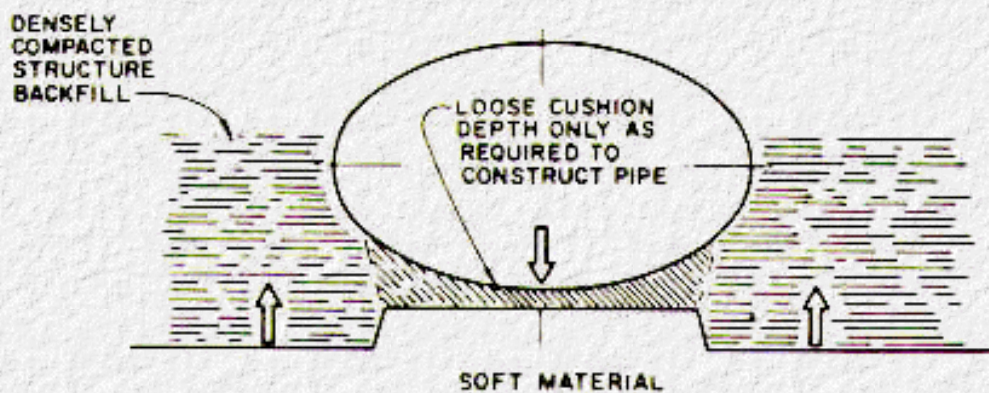
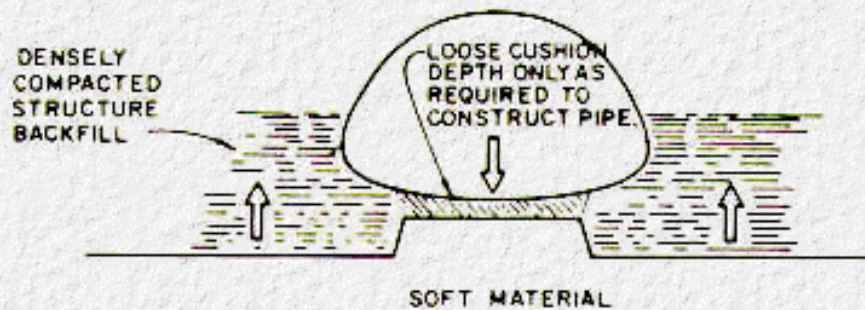
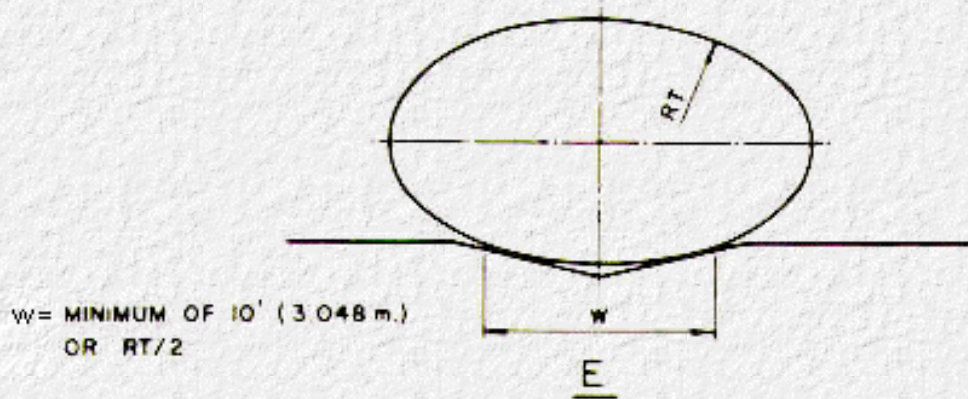


(B.) ROCK FOUNDATION

(C.) YIELDING FOUNDATION



(D.) SIDE FILL



DIFFERENTIAL EXCAVATION REQUIRED AS SHOWN TO INSURE PROPER RELATIVE MOTION AS INDICATED BY ARROWS. IF ENTIRE FOUNDATION IS OVER EXCAVATED AREA UNDER LARGE RADIUS INVERT PLATES SHALL NOT BE COMPACTED AS DENSELY AS UNDER CORNERS OR SIDES TO PROVIDE RELATIVE YIELDING OF INVERT COMPARED TO CORNERS OR SIDES

F

Figure A-2.23

## 2.23.10 Cover over Pipe during Construction

All pipe shall be protected by sufficient cover before permitting heavy construction equipment to pass over them during construction.

## 2.23.11 Workmanship and Inspection

In addition to compliance with the details of construction, the completed structure shall show careful finished workmanship in all particulars. Structures on which the speller coating has been bruised or broken either in the shop or in shipping, or which shows defective workmanship, shall be rejected

unless repaired to the satisfaction of the Engineer. The following defects are specified as constituting poor workmanship and the presence of any or all of them in any individual culvert plate or in general in any shipment shall constitute sufficient cause for rejection unless repaired:

1. Uneven laps.
  2. Elliptical shaping (unless specified).
  3. Variation from specified alignment.
  4. Ragged edges.
  5. Loose, unevenly lined or spaced bolts.
  6. Illegible brand.
  7. Bruised, scaled, or broken speller coating.
  8. Dents or bends in the metal itself.
- 

## **2.23.12 Method of Measurement**

Corrugated metal and structural plate pipe, pipe-arches or arches shall be measured in linear feet (m) installed in place, completed, and accepted. The number of linear feet (m) shall be the average of the top and bottom centerline lengths for pipe, the bottom centerline length for pipe-arches, and the average of springing line lengths for arches.

---

## **2.23.13 Basis of Payment**

The lengths, determined as herein given shall be paid for at the contract unit prices per linear foot (m) bid for corrugated metal and structural plate pipe, pipe-arch or arches of the several sizes, as the case may be, which prices and payments shall constitute full compensation for furnishing, handling, erecting, and installing the pipe, pipe-arches or arches and for all materials, labor, equipment, tools, and incidentals necessary to complete this item, but for arches shall not constitute payment for concrete or masonry headwalls and foundations, or for excavation.

---

[Go to Appendix B](#)



# Appendix B : FHWA-IP-83-6

## Users Manual - Improved Inlet Box Section Program, Boxcar

[Go to Appendix C](#)

### USERS MANUAL IMPROVED INLET BOX SECTION PROGRAM, BOXCAR

This Appendix provides the information needed to use the computer program BOXCAR (BOX section Concrete And Reinforcing design) to design reinforcing for one cell box section inlets. The program is sufficiently general that it may also be used to design box sections for general applications, except that surface applied wheel loads are not included. For a general description of the program and method of analysis, see [Section 5.1](#). For information on the loads and design methods see [Chapter 2](#), [Chapter 3](#), and [Chapter 4](#).

## B.1 Input Data

### FIRST CARD:

Format (19A4, A3, 11)

#### Problem Identification

Card Columns 1 through 79 are read and echo printed in the output. These columns can be used for job identification. An integer from 0 to 3 in card column 80 controls the amount of output to be printed. For a description of the available output, see [Section B.2](#).

### REMAINING CARDS:

Format (12, 4A4, A2, 6F10.3)

#### Data

The first field (12) is an input code that internally identifies the type of data being input. The second field (4A4, A2) is a comment field which is used to identify the data on each card and is echo printed in the output. The remaining fields (6F10.3) are data items. [Table B-1](#) describes the specific input data and format required for each card and default values for each parameter. If default values are used for all the parameters on any given card, then that card may be omitted.

**Table B-1. Format for Data Input, Boxcar**

	Coce (Note 1)	Description (Note 2)	Nome of Variables	Units	Default Value
<b>Card Columns</b>	<b>1-2</b>	<b>3-20</b>	<b>21-80</b>		
Format	12	4A4, A2	6F10.3		

Required Data	01	Inside Span Inside Rise Depth of Fill	$S_i$ $D_i$ h	ft ft ft	None None None
Optional Data (Note 5)	02	Top Slab Thickness	$T_T$	in.	T(Note 6)
		Bottom Slab Thickness	$T_B$	in.	T(Note 6)
		Side Wall Thickness	$T_S$	in.	T(Note 6)
	03	Horizontal Haunch Dim.	$H_H$	in.	T(Note 6)
		Vertical Haunch Dim.	$H_V$	in.	T(Note 6)
	04	Soil unit weight Concrete unit weight Fluid unit weight	$\gamma_s$ $\gamma_c$ $\gamma_f$	pcf pcf pcf	120. 150. 62.5
	05	Lateral Soil Pressure (Min.)	$\alpha_{min}$ (Note3)	None	0.25
		Lateral Soil Pressure (Max.)	$\alpha_{max}$ None	None	0.5
		Soil Structure Int. Factor	$F_e$	None	1.2 (Note 7)
		Flag for Side Load	Flg	None	0 (Note 4)
	06	Load Factor	$L_f$	None	1.3
Flexure Cap. Red. Factor		$\phi_f$	None	0.9	
Shear Capacity Red. Factor		$\phi_v$	None	0.9	
07	Depth of Fluid	$D_f$	in.	$D_i$	
08	Steel Yield Stress	$f_y$	ksi	65	
	Concrete Compressive Strength	$f'_c$	ksi	5.	
09	Concrete Covers				
	Top - Outside	$t_{b1}$	in.	1.	
	Side - Outside	$t_{b2}$	in.	1.	
	Bottom - Outside	$t_{b3}$	in.	1.	
	Top- Inside	$t_{b4}$	in.	1.	
	Bottom - Inside	$t_{b5}$	in.	1.	
Side- Inside	$t_{b6}$	in.	1.		
10	Limiting Crack Width Factor	$F_{cr}$	None	1.0	
11	Number of Layers of Steel Reinforcing	NLAY	None	1	
	Reinforcing Type	RTYPE(Note 8)	None	2	

	12	Wire Diameters AS1 - Outside Steel AS2 - Inside Steel - Top AS3 - Inside Steel - Bottom AS4 - Inside Steel - Side	SDATA(1-3) SDATA(4) SDATA(5) SDATA(6)	in. in. in. in.	0.08T(Note6) 0.08T(Note6) 0.08T(Note6) 0.08T(Note6)
	13	Wire Spacing AS 1 - Outside Steel AS 2 - Inside Steel - Top AS 3 - Inside Steel - Bottom AS 4 - Inside Steel - Side	SDATA (7-9) SDATA (10) SDATA (11) SDATA (12)	in. in. in. in.	2. 2. 2. 2.
Required	Over 13	End of Data			

#### NOTES

1. The input cards do not need to be numerically ordered by code number; however, a code number greater than 13 must be the final data card.
2. The data punched in this field is arbitrary; it is echo printed in the output and may be helpful to the user for identification of the data in card columns 21-80.
3.  $\alpha$  min. defaults to 0.25 if input less than 0.
4. If FLG = 0, the initial side load (Load Case 3) is considered as 'permanent' dead load. If FLG  $\neq$  0, the initial side load is considered as an additional dead load.
5. If the designer wishes to change any item on an optional data card from the default value, then all the items on that card must be given, even if the default values are desired.
6. For span < 7.0 ft  $T = \text{span}/12 + 1$   
For span > 7.0 ft  $T = \text{span}/12$
7. If the soil structure interaction factor is input as less than 0.75, it will default to 1.2.
8. RTYPE = 1 for smooth reinforcing with longitudinals spaced greater than 8 in.  
= 2 for smooth reinforcing with longitudinals spaced less than or equal to 8 in.  
= 3 for deformed reinforcing.

## B.2 Output

Column 80 of the problem identification card is the "DEBUG" parameter that controls the amount of output to be printed. An integer from 0 to 3 is specified in this column with each increasing number providing more output, as listed below. [Table B-2](#) shows sample output, in the order that it is printed.

DEBUG = 0

- Echo print of input data
- Summary table for design

- DEBUG = 1
    - Output from debug = 0
    - Listing of BDATA, IBDATA, SDATA, and ISDATA arrays
    - Moments, thrusts and shears at design sections
  - DEBUG = 2
    - Output from debug = 1
    - Summary table for flexural design
    - Summary table for shear design
  - DEBUG = 3
    - Output from debug = 2
    - Displacement matrix
    - Member end forces
- 

## B.2.1 Debug = 0

**Echo print of input data:** The program prints the data cards as they are read to allow the designer to check the input and to identify the design ([Table B-2a](#)).

**Summary Table for Design:** This table presents all important design parameters for the box section. If stirrups are required at a certain location, the stirrup design must be done by hand in accordance with [Section 4.1.5](#). A row of stars (\*\*\*) under the steel area column shows that steel design at that location is governed by concrete compression ([Section 4.1.3](#)) and the member must be designed with a thicker section, or designed as a compression member according to AASHTO ultimate strength design methods. ([Table B-2j](#)).

---

## B.2.2 Debug = 1

**Listing of BDATA, IBDATA, SDATA, ISDATA arrays:** All of the input data and some additional parameters that are calculated from input data are stored in two arrays, BDATA, and SDATA. Maps of these arrays are presented in Tables B-3 and B-4 respectively. When these arrays are listed in the output, two parallel arrays, IBDATA and ISDATA are also output. These parallel arrays contain flags which indicate whether the items in the BDATA or SDATA arrays were input, assumed, or in no value is present ([Table B-2b & c](#)).

**Moments, Thrusts, and Shears at Design Sections:** This table presents the forces at the 15 design locations in the box section ([Figure B-1](#)). Under the service load category, two types of loads are shown, Group 1 and Group 2. Group 1 loads are considered permanent loads, including dead load, vertical soil load and the minimum lateral load case (unless FLG at 0, see [Table B-1](#), Note 4) and are always included in the calculation of ultimate forces. Group 2 loads are considered "additional" loads and are only included in the calculation of ultimate forces if they increase the magnitude of the Group I forces. Additional loads are normally fluid load and the additional lateral soil load ( $\alpha_{\max} - \alpha_{\min}$ ) The ultimate loads are found by adding Group I and Group 2 forces to obtain the "worst case" and multiplying by the appropriate load factor ([Table B-2f](#)).



The sign convention on the forces is as follows: positive thrust is tensile, positive shear decreases the moment from the A to the B end of the member and positive moment causes tension on the inside steel.

The zero moment top and bottom distances represent the maximum distance from the A end ([Figure B-2](#)) of the member to the point of zero moment in the member.

**Table B-2. Sample Output from Box Culvert Design Program**

**a. Echo Print of Input Data**

10.5 X 6 BOX TEST RUN WITH 4 FEET OF COVER							3
1 SPAN,RISE,BURIAL	10.500	6.000	4.000				
2 TT,TB,TS	8.000	8.000	8.000				
3 HH,HV	8.000	8.000					
6 FACTORS	1.300	0.900	0.850				
8 STRENGTH	60.000	3.000					
9 CONCRETE COVERS	2.000	2.000	2.000	1.000	1.000	1.000	
11 REINFORCING	1.000	3.000					
99 END OF DATA							

```

*****
*
* ALL INFORMATION PRESENTED IS FOR REVIEW, APPROVAL, INTERPRETATION *
* AND APPLICATION BY A REGISTERED ENGINEER. *
*
*****

```

**b. Listing of BDATA Array**

	PARAMETER	DATA	SOURCE
1	INSIDE SPAN (IN)	0.12600E 03	INPUT
2	INSIDE RISE (IN)	0.72000E 02	INPUT
3	TOP SLABTHK (IN)	0.80000E 01	INPUT
4	BOT SLABTHK (IN)	0.80000E 01	INPUT
5	SIDE WALL T (IN)	0.80000E 01	INPUT
6	CONC UNIT WT KCF	0.86800E-04	ASSUMED
7	SOIL UNIT WT KCF	0.69444E-04	ASSUMED
8	FLUID UNIT WT KCF	0.36170E-04	ASSUMED
9	FLEX CAPRED FACT	0.90000E 00	INPUT
10	BURIAL DEPTH IN	0.48000E 02	INPUT
11	HORIZ HAUNCH IN	0.80000E 01	INPUT
12	VERT HAUNCH IN	0.80000E 01	INPUT
13	SHEAR CAP RED FR	0.85000E 00	INPUT
14	LAT SOILPRESS CO	0.25000E 00	ASSUMED
15	SOIL-STR INT COF	0.12000E 01	ASSUMED
16	FLUID DEPTH (IN)	0.72000E 02	ASSUMED
17	***EMPTY*****	0.0	NO VALUE
18	CONCRETE E (KSI)	0.33202E 04	ASSUMED
19	STEEL E (KSI)	0.29000E 05	ASSUMED
20	STEEL STR (KSI)	0.60000E 02	INPUT
21	CONCRETE STR KSI	0.30000E 01	INPUT
22	LOAD FACTOR M,V	0.13000E 01	INPUT
23	LOAD FACTOR P	0.13000E 01	INPUT
24	.01 CRACK FACTOR	0.10000E 01	ASSUMED
25	***EMPTY*****	0.0	NO VALUE
26	# LAYERSCF REINF	0.10000E 01	INPUT
27	REINFORCING TYPE	0.30000E 01	INPUT
28	***EMPTY*****	0.0	NO VALUE
29	***EMPTY*****	0.0	NO VALUE
30	TOP OUT CVR (IN)	0.20000E 01	INPUT
31	SIDE OUT CVR IN	0.20000E 01	INPUT
32	BOT OUT CVR (IN)	0.20000E 01	INPUT
33	TOP INS CVR (IN)	0.20000E 01	INPUT
34	BOT INS CVR (IN)	0.20000E 01	INPUT
35	SIDE INS CVR IN	0.20000E 01	INPUT

c. Listing of SDATA Array

	PARAMETER	DATA	SOURCE
1	WIRE DIA OUT TOP	0.64000E 00	ASSUMED
2	WIRE DIA OUT SDE	0.64000E 00	ASSUMED
3	WIRE DIA OUT BOT	0.64000E 00	ASSUMED
4	WIRE DIA INS TOP	0.64000E 00	ASSUMED
5	WIRE DIA INS BOT	0.64000E 00	ASSUMED
6	WIRE DIA INS SDE	0.64000E 00	ASSUMED
7	WIRE SPA OUT TOP	0.20000E 01	ASSUMED
8	WIRE SPA OUT SDE	0.20000E 01	ASSUMED
9	WIRE SPA OUT BOT	0.20000E 01	ASSUMED
10	WIRE SPA INS TOP	0.20000E 01	ASSUMED
11	WIRE SPA INS BOT	0.20000E 01	ASSUMED
12	WIRE SPA INS SDE	0.20000E 01	ASSUMED
13	***EMPTY*****	0.0	NO VALUE
14	***EMPTY*****	0.0	NO VALUE
15	***EMPTY*****	0.0	NO VALUE
16	***EMPTY*****	0.0	NO VALUE
17	***EMPTY*****	0.0	NO VALUE
18	***EMPTY*****	0.0	NO VALUE
19	TOP STEEL LTH IN	0.0	NO VALUE
20	BOT STEEL LTH IN	0.0	NO VALUE
21	***EMPTY*****	0.0	NO VALUE
22	***EMPTY*****	0.0	NO VALUE
23	***EMPTY*****	0.0	NO VALUE
24	***EMPTY*****	0.0	NO VALUE
25	LAT SDIL RATIO	0.10000E 01	ASSUMED
26	***EMPTY*****	0.0	NO VALUE
27	***EMPTY*****	0.0	NO VALUE
28	***EMPTY*****	0.0	NO VALUE
29	***EMPTY*****	0.0	NO VALUE
30	D OUT TOP (IN)	0.56800E 01	ASSUMED
31	D OUT SIDE (IN)	0.56800E 01	ASSUMED
32	D OUT BOTT (IN)	0.56800E 01	ASSUMED
33	D IN TOP (IN)	0.66800E 01	ASSUMED
34	D IN BOTT (IN)	0.66800E 01	ASSUMED
35	D IN SIDE (IN)	0.66800E 01	ASSUMED

d. Joint Displacement Table

DISPLACEMENT MATRIX - INCHES AND RADIAN

NODE		LOAD CASE				
		1	2	3	4	5
1	Y	-.7381E-07	0.4472E-07	0.3545E-03	-.2365E-03	0.3545E-03
	Y	-.2321E-03	-.8554E-03	-.8731E-10	0.2910E-10	-.8731E-10
	ROT	-.2441E-03	-.9650E-03	0.1409E-03	-.9546E-04	0.1409E-03
2	X	0.8566E-04	0.4472E-07	0.6811E-04	-.8808E-04	0.6811E-04
	Y	-.2321E-03	-.8554E-03	0.1110E-09	-.3638E-10	0.1110E-09
	ROT	0.2441E-03	0.9651E-03	-.1409E-03	0.9546E-04	-.1409E-03
3	X	0.0	0.0	0.0	0.0	0.0
	Y	0.0	0.0	0.0	0.0	0.0
	ROT	-.3110E-03	-.9650E-03	0.1497E-03	-.1012E-03	0.1497E-03
4	X	0.8573E-04	0.0	0.4227E-03	-.3246E-03	0.4227E-03
	Y	0.0	0.0	0.0	0.0	0.0
	ROT	0.3110E-03	0.9651E-03	-.1497E-03	0.1012E-03	-.1497E-03

e. Member End Forces Table

MEMBER	LOAD CASE	END FORCES, KIPS AND INCH-KIPS						
		A-END			B-END			
		FXLA FX	FYLA FY	MMA MOMENT	FXLB FX	FYLB FY	MMB MOMENT	
MEMBER 1	1	-0.20393	0.55830	6.80739	0.20393	0.55830	-6.80741	
MEMBER 1	2	0.0	3.21599	52.83101	0.0	3.21599	-52.83099	
MEMBER 1	3	0.68124	0.00000	4.09291	-0.68124	-0.00000	-4.09286	
MEMBER 1	4	-0.35298	0.00000	-2.77264	0.35298	0.00000	2.77263	
MEMBER 1	5	0.68124	0.00000	4.09291	-0.68124	-0.00000	-4.09286	
MEMBER 2	1	0.92494	-0.20393	6.80739	-0.92494	0.20393	-23.12146	
MEMBER 2	2	3.40799	0.0	52.83087	-3.40799	0.0	-52.83087	
MEMBER 2	3	-0.00000	0.69125	4.09288	0.00000	0.89209	-4.54883	
MEMBER 2	4	0.00000	-0.35298	-2.77264	-0.00000	-0.77205	6.03466	
MEMBER 2	5	-0.00000	0.69125	4.09288	0.00000	0.89209	-4.54883	
MEMBER 3	1	0.20393	1.29158	23.12151	-0.20393	1.29158	-23.12149	
MEMBER 3	2	0.0	3.21599	52.83094	0.0	3.21599	-52.83105	
MEMBER 3	3	1.00542	0.00000	4.34880	-1.00542	-0.00000	-4.34872	
MEMBER 3	4	-0.11754	-0.11754	-6.03487	0.11754	-0.11754	6.03482	
MEMBER 3	5	1.00542	0.00000	4.34882	-1.00542	-0.00000	-4.34872	
MEMBER 4	1	0.92494	0.20393	23.12140	-0.92494	-0.20393	-6.80731	
MEMBER 4	2	3.40799	0.0	52.83088	-3.40799	0.0	-52.83088	
MEMBER 4	3	0.00000	0.89209	4.54877	0.00000	0.69125	-4.09292	
MEMBER 4	4	-0.00000	-0.77205	-6.03465	0.00000	-0.35298	2.77265	
MEMBER 4	5	0.00000	0.89209	4.54877	0.00000	0.69125	-4.09292	

f. Design Forces Table

SERVICE LOADS							ULTIMATE LOADS			
SECTION	GROUP 1			GROUP 2			FM MAX	FV MAX	FM MIN	FV MIN
	MOMENT	SHEAR	NPLUS	VPLUS	NNEG	VNEG				
1	63.507	0.0	2.773	0.0	-4.093	0.0	86.164	0.0	0.0	0.0
2	50.217	1.937	2.773	0.000	-4.093	-0.000	42.886	2.518	0.0	0.0
3	-7.394	2.826	2.773	0.000	-4.093	-0.000	0.0	3.674	-14.933	0.0
4	-21.696	3.098	2.773	0.000	-4.093	-0.000	0.0	4.028	-33.525	0.0
5	-58.469	0.301	2.816	0.505	-1.426	-0.339	0.0	1.047	-77.864	-0.050
6	-57.170	0.237	5.100	0.441	-3.015	-0.317	0.0	0.880	-67.691	-0.105
7	0.0	0.0	0.0	0.0	0.0	0.0	0.0	0.0	0.0	0.0
8	-55.883	0.0	11.112	0.0	-7.972	0.0	0.0	0.0	-83.011	0.0
9	0.0	0.0	0.0	0.0	0.0	0.0	0.0	0.0	0.0	0.0
10	-64.847	0.652	6.834	0.448	-4.539	-0.407	0.0	1.429	-75.470	0.0
11	-68.323	0.773	4.382	0.569	-2.267	-0.536	0.0	1.743	-91.766	0.0
12	-50.254	-3.790	4.684	0.103	-4.349	0.0	0.0	0.0	-44.984	-4.810
13	-13.174	-3.375	4.210	0.094	-4.349	0.0	0.0	0.0	-22.779	-4.388
14	35.585	-2.198	2.858	0.061	-4.349	0.0	49.976	0.0	0.0	-2.858
15	11.503	0.0	1.862	0.0	-4.349	0.0	95.374	0.0	0.0	0.0
MEMBER	THRUST		NPLUS		NNEG		FN MAX		FN MIN	
TOP	-0.477		0.353		-0.601		-0.162		-1.506	
SIDE	-4.333		0.000		-0.000		-5.633		-5.633	
BTM	-1.209		0.772		-1.005		-0.568		-2.879	
ZERO MOMENT TOP		20.01222		ZERO MOMENT BOTTOM		21.70448				
INCHES FROM CENTERLINE OF SIDEWALL										

\*\*\*NOTE: ALL UNITS ARE KIPS AND INCHES

g. Flexure Design Table

***** FLEXURE DESIGN TABLE *****						
REINFORCING	AS 8	AS 1		AS 2	AS 3	AS 4
DESIGN SECTION	4	9:11	12	1	15	8
ULTIMATE MOMENT IN. KIPS/FT	33.52519	93.76640	44.98012	86.16403	95.37399	0.0
ULTIMATE THRUST KIPS/FT	1.50613	5.63281	2.87919	0.16163	0.56848	5.63281
DEPTH TO STEEL IN.	5.68000	5.68000	5.68000	5.68000	5.68000	5.68000
STEEL AREA (FLEX) SQ. IN./FT	0.09230	0.24817	0.11416	0.24726	0.27092	-0.06230
MIN. FLEX STEEL SQ. IN./FT	0.19200	0.19200	0.19200	0.19200	0.19200	0.19200
MAX. FLEX STEEL SQ. IN./FT	0.95663	0.90904	0.93946	1.19517	1.14008	1.07678
CRACK INDEX	-3.00219	-0.75134	-2.69128	-0.15132	-0.00054	0.0
GOVERNING STEEL SQ. IN./FT	0.19200	0.24817	0.19200	0.24726	0.27092	0.19200
GOVERNING MODE	MIN. STEEL	FLEXURE	MIN. STEEL	FLEXURE	FLEXURE	MIN. STEEL

h. Method 1 Shear Design Table

*** SHEAR DESIGN TABLE - METHOD 1 ***				
DESIGN SECTION	3	6	10	13
ALL SECTIONS ARE AT D FROM THE HAUNCH				
ULTIMATE SHEAR KIPS/FT	3.674	0.840	1.429	4.380
ALLOWABLE SHEAR KIPS/FT	9.520	9.520	9.520	9.520
DIAGONAL TENSION INDEX LIMIT	0.38993	0.092464	0.150132	0.450939
DEPTH TO STEEL IN.	5.68000	5.68000	5.68000	5.68000
STIKUMPS REQUIRED?	NO	NO	NO	NO

i. Method 2 Shear Design Table

\*\*\*\*\* SHEAR DESIGN TABLE - METHOD 2 \*\*\*\*\*

DESIGN SECTION	2	4	5	7	9	11	12	14
W/(V+PHI*Q)	3.000	1.724	10.400	0.0	0.0	10.902	1.937	3.080
ULTIMATE SHEAR KIPS/FT	2.510	3.674	0.880	0.0	0.0	1.929	4.388	2.058
ULTIMATE THRUST KIPS/FT	0.162	0.162	5.633	0.0	0.0	5.633	0.568	0.568
STEEL RATIO	0.003629	0.003374	0.004282	0.0	0.0	0.004283	0.004283	0.003974
DEPTH TO STEEL IN.	6.68000	5.68000	5.68000	0.0	0.0	5.68000	5.68000	6.68000
DISTANCE FROM E-END, IN.	32.621	12.000	12.000	0.0	0.0	12.000	122.000	99.676
THRUST FACTOR (FM)	0.989414	0.993336	0.750000	0.0	0.0	0.750000	0.980691	0.967945
DIAGONAL TENSION STRENGTH, KIPS/FT	5.209	6.641	6.269	0.0	0.0	6.269	6.530	5.413
ULTIMATE SHEAR/ ALLOWABLE SHEAR	0.483287	0.553274	0.140403	0.0	0.0	0.227970	0.671977	0.527999
NEW STEEL AREA DUE TO DIAGONAL TENSION SQ. IN./FT	0.0	0.0	0.0	0.0	0.0	0.0	0.0	0.0

j. Design Summary Sheet

10.5 FT. SPAN X 6.0 FT. RISE REINFORCED CONCRETE BOX SECTION

\*\*\*\*\*

INSTALLATION DATA

HEIGHT OF FILL OVER CULVERT, FT	4.000
UNIT WEIGHT, PCF	120.000
MINIMUM LATERAL SOIL PRESSURE COEFFICIENT	0.250
MAXIMUM LATERAL SOIL PRESSURE COEFFICIENT	0.500
SOIL - STRUCTURE INTERACTION COEFFICIENT	1.200

LOADING DATA

LOAD FACTOR - MOMENT AND SHEAR	1.300
LOAD FACTOR - THRUST	1.300
STRENGTH REDUCTION FACTOR-FLEXURE	0.900
STRENGTH REDUCTION FACTOR-DIAGONAL TENSION	0.850
LIMITING CRACK WIDTH FACTOR	1.000

MATERIAL PROPERTIES

STEEL - MINIMUM SPECIFIED YIELD STRESS, KSI	60.000
CONCRETE - SPECIFIED COMPRESSIVE STRENGTH, KSI	3.000
REINFORCING TYPE	3.000

CONCRETE DATA

TOP SLAB THICKNESS, IN.	8.000
BOTTOM SLAB THICKNESS, IN.	8.000
SIDE WALL THICKNESS, IN.	8.000
HORIZONTAL HAUNCH DIMENSION, IN.	8.000
VERTICAL HAUNCH DIMENSION, IN.	8.000
CONCRETE COVER OVER STEEL, IN.	
TOP SLAB - OUTSIDE FACE	2.000
SIDE WALL - OUTSIDE FACE	2.000
BOTTOM SLAB - OUTSIDE FACE	2.000
TOP SLAB - INSIDE FACE	1.000
BOTTOM SLAB - INSIDE FACE	1.000
SIDE WALL - INSIDE FACE	1.000

REINFORCING STEEL DATA

LOCATION	AREA SQ. IN. PER FT	STIRRUPS REQUIRED?
TOP SLAB - INSIDE FACE	0.247	NO
TOP SLAB - OUTSIDE FACE	0.192	NO
BOTTOM SLAB - INSIDE FACE	0.271	NO
SIDE WALL - OUTSIDE FACE	0.248	NO
SIDE WALL - INSIDE FACE	0.192	NO

\*PROGRAM ASSIGNED VALUE

THE SIDE WALL OUTSIDE FACE STEEL IS BENT AT THE CULVERT CORNERS AND EXTENDED INTO THE OUTSIDE FACE OF THE TOP AND BOTTOM SLABS. THE THEORETICAL CUT-OFF LENGTHS MEASURED FROM THE BEND POINT ARE 21.7 AND 23.4 IN. RESPECTIVELY. ANCHORAGE LENGTHS MUST BE ADDED.



**Table B-3. Map of BDATA Array**

Index of BNDAT (Note 1)	Notation		Description	Units
	Design Method	Computer Code		
1	$S_i$	SPAN	inside span of box section	in.
2	$R_i$	RISE	inside rise of box section	in.
3	$T_T$	TT	thickness of top slab	in.
4	$T_B$	TB	thickness of bottom slab	in.
5	$T_S$	TS	thickness of side wall	in.
6	$\gamma_c$	GAMAC	unit weight of concrete	kips/in. <sup>3</sup>
7	$\gamma_s$	GAMAS	unit weight of soil	kips/in. <sup>3</sup>
8	$\gamma_f$	GAMAF	unit weight of fluid in box	kips/in. <sup>3</sup>
9	$\phi_f$	POF	capacity reduction factor for flexure	none
10	$H_e$	H	depth of fill	in.
11	$H_H$	HH	horizontal width of haunch	in.
12	$H_v$	HV	vertical height of haunch	in.
13	$\phi_v$	POV	capacity reduction factor for shear	none
14	$\alpha_{min}$	ZETA	lateral soil pressure coefficient	none
15	$F_e$	BETA	soil structure interaction factor	none
16	$d_f$	DF	depth of fluid	in.
18	$E_c$	EC	modulus of elasticity of concrete	ksi
19	$E_s$	ES	modulus of elasticity of steel	ksi
20	$f_y$	FY	specified yield strength of reinforcing	ksi
21	$f'_c$	FCP	specified compressive strength of concrete	ksi
22	$L_{fmv}$	FLMV	load factor for moment & shear	none
23	$L_{fn}$	FLN	oad factor for thrust	none
24	FCR	FCR	factor for crack control relative to l for 0.01 " crack	none
26	NLAY	NLAY	number of layers of circumferential reinforcing	none
27	RTYPE	RTYPE	type of reinforcing steel	none
30	$t_{b1}$	CT (1)	concrete cover over top slab outside steel (AS1)	in.
31	$t_{b2}$	CT (2)	concrete cover over side wall outside steel (AS1)	in.
32	$t_{b3}$	CT (3)	concrete cover over bottom slab outside steel (AS1)	in.
33	$t_{b4}$	CT (4)	concrete cover over top slab inside steel (AS2)	in.
34	$t_{b5}$	CT (5)	concrete cover over bottom slab inside steel (AS3)	in.
35	$t_{b6}$	CT (6)	concrete cover over side wall inside steel (AS4)	in.

**Notes:**

1. Some index numbers are not listed here because those slots in the array were not used.

**Table B-4. Map of SDATA Array**

Index of SDATA (Note 1)	Description	Units
	<b>Wire diameter:</b>	
1	- outside steel top slab	in.
2	- outside steel side wall	in.
3	- outside steel bottom slab	in.
4	- inside steel top slab	in.
5	- inside steel bottom slab	in.
6	- inside steel side wall	in.
	<b>Wire Spacing:</b>	
7	- outside steel top slab	in.
8	- outside steel side wall	in.
9	- outside steel bottom slab	in.
10	- inside steel top slab	in.
11	- inside steel bottom slab	in.
12	- inside steel side wall	in.
19	- length of outside steel in top slab	in.
20	- length of outside steel in bottom slab	in.
25	Lateral soil pressure ratio (Note 2)	none
	<b>Depth of steel reinforcing:</b>	
30	- outside steel top slab	in.
31	- outside steel side wall	in.
32	- outside steel bottom slab	in.
33	- inside steel top slab	in.
34	- inside steel bottom slab	in.
35	- inside steel side wall	in.

1. Some index numbers are not listed here because those slots in the array were not used.

2. Lateral soil pressure ratio =  $(\alpha_{max} - \alpha_{min})/\alpha_{min}$ .

**Table B-5. Description of Governing Mode Output Notes**

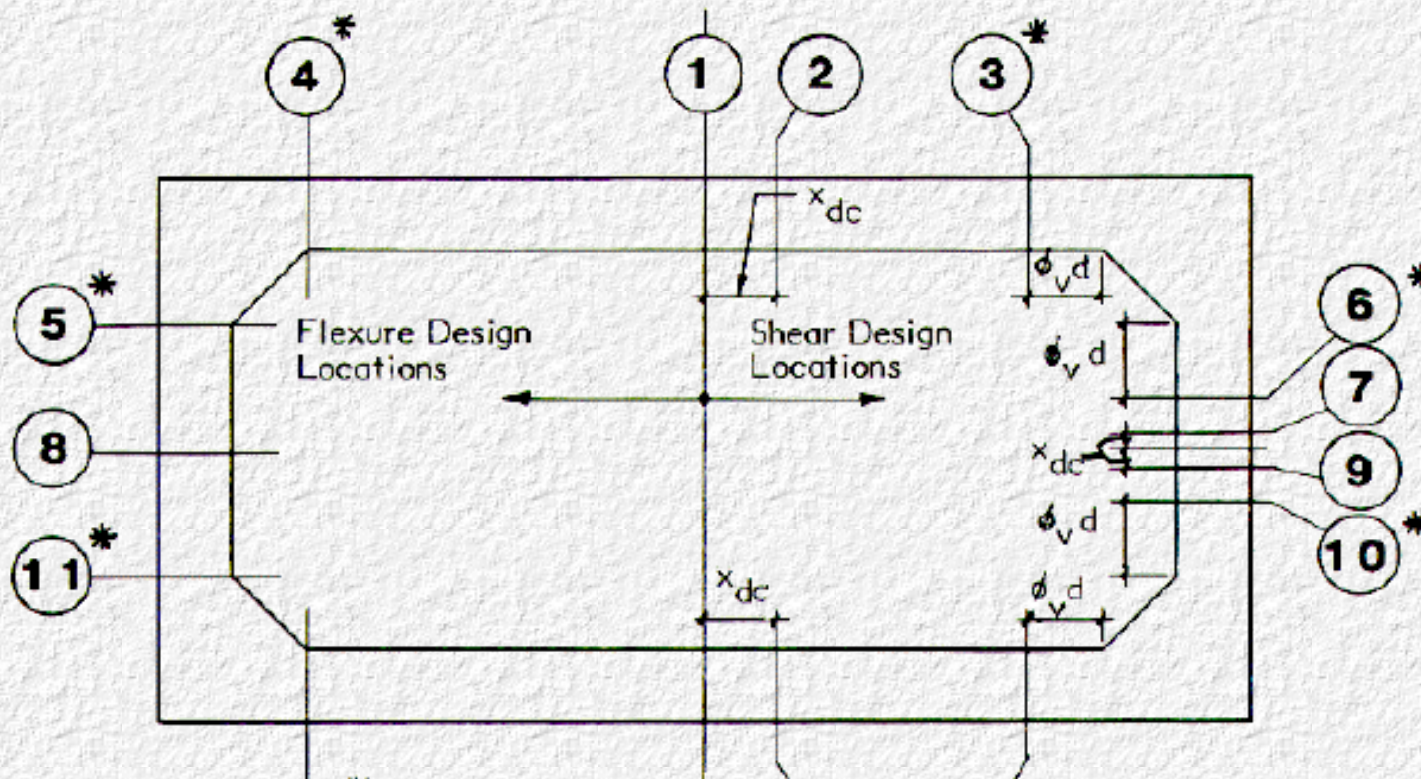
Output Note	Description
-------------	-------------

FLEXURE	Steel area based on ultimate flexural strength requirements.
MIN STEEL	Steel area based on minimum steel requirements.
CRACK WIDTH	Steel based on crack requirements at service load.
MAXCONCOMPR	Design by usual methods is not possible due to maximum concrete compression. Section must be designed as a compression member, or reanalyzed with a different wall thickness or installation conditions.

## B.2.3 Debug = 2

**Summary Table for Flexural Design:** This table presents all the information required to design steel reinforcing based on flexure, minimum steel, maximum steel and crack control. AS1 is taken as the maximum of the steel areas required at Sections 5, 11, and 12. AS2, AS3, AS4 and AS8 are the steel areas required at Sections 1, 15, 8 and 4 respectively. The table also lists the governing design criteria at each section ([Table B-2g](#)). See [Table B-5](#) for a description of the governing mode output notes.

**Summary Table for Shear Design:** This table presents all the information used to evaluate the diagonal tension strength. Design Sections 3, 6, 10 and 13 are for shear design by Method 1. Design Sections 3, 6, 10 and 13 are for shear design by Method 2 at  $d$  from the tip of the haunch and design Sections 2, 7, 9 and 14 are for shear design by Method 2 where  $M/VIVd = 3.0$ . The program always checks shear design by both methods, and uses the most conservative ([Table B-2h & i](#)).



12\*

15 14  
Symm.  
E

13\*

Flexure Design Locations:

<u>Steel Area</u>	<u>Precast</u>	<u>Cast-In-Place</u>
$A_{s1}$	4, 5, 11, 12	5, 11, 12
$A_{s2}$	1	1
$A_{s3}$	15	15
$A_{s4}$	8	8
$A_{s8}$	-	4

Shear Design Locations:

- Method 1: 3, 6, 10, 13
- Method 2: 2, 3, 6, 7, 9, 10, 13, 14

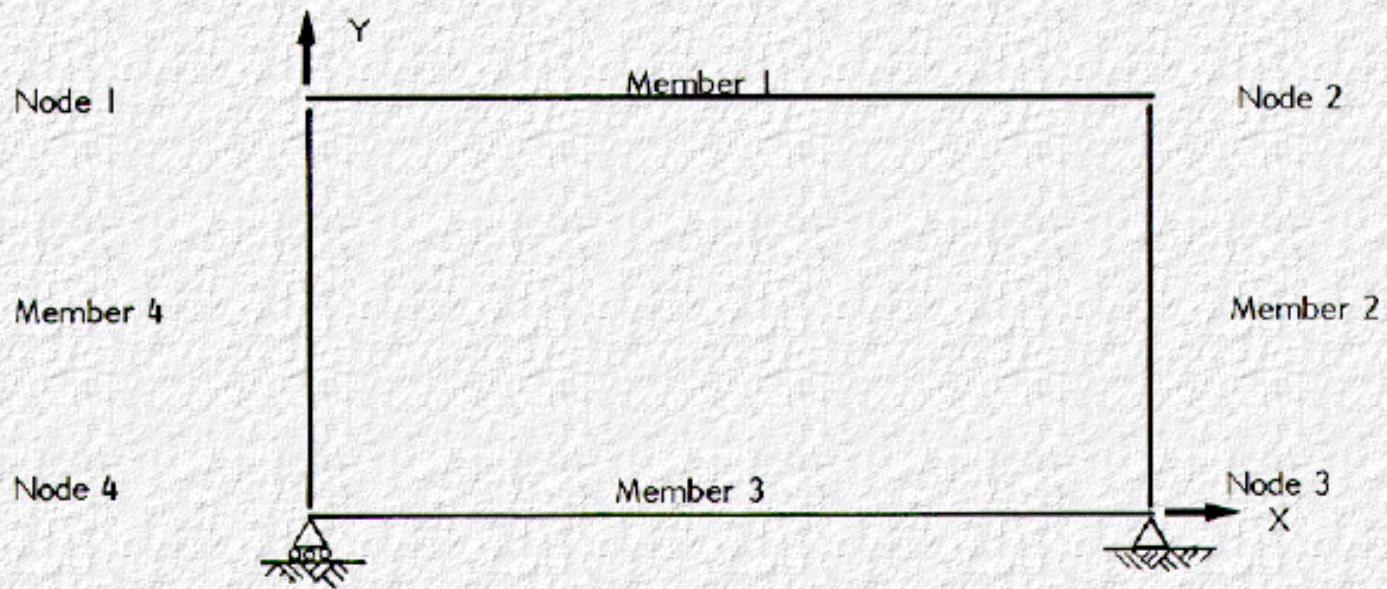
\*Note: For method 2 shear design, any distributed load within a distance  $\phi_v d$  from the tip of the haunch is neglected. Thus the shear strengths at locations 4, 5, 11 and 12 are compared to the shear forces at locations 3, 6, 10, and 13 respectively.

Figure B-1. Locations of Critical Sections for Shear and Flexure Design in Single Call Box Sections

### B.2.4 Debug = 3

**Displacement Matrix:** This table presents the joint displacements for each load condition in a global coordinate system, as shown in [Figure B-2](#). These displacements are based on an elastic analysis of an uncracked concrete section, and are not estimates of expected field displacements. They are used only for consistency checks ([Table B-2d](#)).

**Member End Forces:** This table presents the equivalent member end forces used in application of the direct stiffness method. These forces are in the local coordinate system with the local x-axis along the member and positive from end A to end B. ([Figure B-2](#)). The local y-axis is always positive towards the inside of the box section and the moment follows the right-hand rule from x to y for sign ([Table B-2e](#)).



- Notes:
1. Member directions are taken clockwise. Thus end A of member 1 is at node 1 and end A of member 3 is at node 3.
  2. Rotations are positive counterclockwise.

**Figure B-2. Frame Model Used for Computer Analysis of Box Sections**

[Go to Appendix C](#)



# Appendix C : FHWA-IP-83-6

## Users Manual - Pipe Design Program, Pipecar

[Go to Appendix D](#)

This Appendix provides the necessary information to use the computer program PIPECAR (PIPE culvert Concrete And Reinforcing design) to design reinforcing for circular and elliptical reinforced concrete pipe. For a general description of the program and the method of analysis used, see [Section 5.2](#). For information on the loads and design methods see [Chapter 2](#), [Chapter 3](#), and [Chapter 4](#).

### C.1 Input Data

FIRST CARD: Format (1 9A4, A3, 1 1),

Problem Identification: Card Columns 1 through 79 are read and are echo printed in the output. An integer from 0 to 3 in card column 80 controls the amount of output printed. For a description of the available output, see [Section C.2](#).

REMAINING CARDS: Format (12, 4A4, A2, 4F10.3)

Data: The first field (Columns 1 and 2) is an input code that internally identifies the type of data read on each card. The second field (Columns 3 through 20) is a comment field which may be used by the designer to identify the information being input on each card. The remaining fields (4F10.3) are for input data. [Table C-1](#) describes the input data and format for each card, and default values for each parameter. If default values are used for all the items on any given card, then that card may be omitted.

Table C-1. Format for Data Input

	Code (Note 1)	Description (Note 2)	Name of Variable	Units	Default Values
Card Column	1-2	3-20	21-60		
Format	12	4A4, A2	4F10.3		
Required Data	01 (Note 3)	inside Diameter or Side Radius Crown/Invert Radius Depth of Fill	$B_1$ or $r_1$ $r_2$ $H_e$	in. in. ft.	None None None
	02 (Note 3)	Horizontal Offset Vertical Offset	u v	in. in.	None None
	03	Thickness	h	in.	None
	04	Bedding Angle Load Angle Soil Structure Int. Factor	$\beta_2$ $\beta_1$ $F_e$	Degrees Degrees None	90 (Note 4) 270 (Note 4) 1.2 (Note 6)

Optional Data (Note 5)	05	Soil Unit Weight Concrete Unit Weight Fluid Unit Weight	$\gamma_s$ $\gamma_c$ $\gamma_f$	pcf pcf pcf	120. 150. 62.5	
	06	Depth of Fluid	$d_f$	in.	Dj	
	07	Steel Yield Stress Concrete Compressive Stress	$f_y$ $f'_c$	ksi ksi	65. 5.	
	08	Outside Concrete Cover Inside Concrete Cover	$t_{bo}$ $t_{bi}$	in. in.	1.0 1.0	
	09	Load Factor Flexure Cap Red Factor Shear Cap Red Factor	$L_f$ $\phi_f$ $\phi_v$	None None None	1.3 0.9 0.9	
	10	Inside Wire Diameter Outside Wire Diameter Reinforcing Type Number of Layers of Circumferential Reinforcing	$d_{in}$ $d_{out}$ RTYPE (Note7) NLAY	in. in. None None	0.08h 0.08h 2. 1.	
	11	Inside Wire Spacing Outside Wire Spacing	$S_{in}$ $S_{out}$	in. in.	2. 2.	
	12	Limiting Crack Width Factor Radial Tension Process Factor Shear Process Factor	$F_{cr}$ $F_{rp}$ $F_{vp}$	None None None	1.0 1.0 1.0	
	Required	OVER 12	End of Data			

#### NOTES

- The input cards do not need to be ordered by code number; however, a code number greater than 12 must be the final data card.
- The data punched in this field is arbitrary; it will be echo printed in the output and is helpful to the user for identification of the data in card columns 21-61.
- Since the program can design either circular or elliptical pipe shapes, there are different input criteria for each shape. For circular pipe, B. should be specified as the inside diameter of the pipe, radius 2 must be blank or 0., and the card with Code = 02 should not be used. For elliptical pipe, r and r must be specified on the card with Code = 01 and the offset distances u and v must be specified on the card with Code = 02. Note that for  $r > r$ , a horizontal ellipse will be designed,  $r_1 > r_2$ , would define a vertical ellipse, but this is not operational at this time.
- The load Angle ( $\beta_1$ ) must be between  $180^\circ$  and  $300^\circ$  and the bedding angle ( $\beta_2$ ) must be between  $60^\circ$  and  $180^\circ$ . If  $\sim 1 + \sim 2 > 360$  then the program will set  $02 = 360 - 01$ .
- If the designer wishes to change any item on an optional data card from the default value, then all the items on that card must be given, even if the default values are used.
- If the soil structure interaction factor is input less than 0.75 it will default to 1.2.
- RTYPE = 1 for smooth reinforcing with longitudinals spaced greater than 8 in.,  
= 2 for smooth reinforcing with longitudinals spaced greater than or equal to 8 in.,  
= 3 for deformed reinforcing.

## C.2 Output

Column 80 of the problem identification card is the "DEBUG" parameter that controls the amount of output to be printed. An integer from 0 to 3 is specified in this column with each increasing number providing more output, as listed below. [Table C-2](#) shows sample output, in the order that it is printed.

DEBUG = 0

- Echo print of input data
- Summary table for design

DEBUG = 1

- Output from debug = 0
- Listing of BDATA and I BDATA arrays
- Table of ultimate forces
- Flexure design table
- Shear design table

DEBUG = 2

- Output from debug = 1
- Pipe geometry
- Loads applied at each joint
- Pipe, soil, and fluid weights
- Service load moments, thrusts, and shears at each joint

DEBUG = 3

- Output from debug = 2
- Displacements

---

## C.2.1 Debug = 0

**Echo print of input data:** The program prints the data cards as they are read to allow the designer to check the input and to identify the design ([Table C-2a](#)).

**Summary Table for Design:** This table ([Table C-2j](#)) presents all important design parameters for the pipe section. If stirrups are required at a certain location, the stirrup design factor is output. A row of stars (\*\*\*) under the steel area column shows that steel design at that location was governed by concrete compression ([Section 4.1.2](#)) and the member must be designed with a thicker section, or designed as a compression member according to AASHTO ultimate strength design methods.

Table C-2. Sample Output from Pipe Culvert Design Program

### a. Echo Print of Input Data

```
09576/SIDE TAPERED RCP TEST RUN 10X7-THROAT-RUND 8/4/82 3
1 INSDDIAP(IN) 84.000 DPTHFILL(FT) 7.500
3 THICKNES(IN) 8.000
SCIL STRUCTURE INTERACTION FACTOR MODIFIED

*****
* ALL INFORMATION PRESENTED IS FOR REVIEW, APPROVAL, INTERPRETATION *
* AND APPLICATION BY A REGISTERED ENGINEER. *
*****
```

### b. Listing of BDATA Array



MAP OF BDATA ARRAY

PARAMETER	DATA	SOURCE
1 SPRING RADIUS (IN)	42.000	INPUT
2 CROWN RADIUS (IN)	42.000	ASSUMED
3 HEIGHT OF FILL (FT)	7.500	INPUT
4 HORIZ OFFSET (IN)	0.000	ASSUMED
5 VERTICAL OFFSET (IN)	0.000	ASSUMED
6 WALL THICKNESS (IN)	6.000	INPUT
7 BEDDING ANGLE (DEG)	90.000	ASSUMED
8 SOIL-STRUC INT COEFF	1.200	ASSUMED
9 SOIL UNIT WT(LB/FT <sup>3</sup> )	120.000	ASSUMED
10 CONC UNIT WT(LB/FT <sup>3</sup> )	150.000	ASSUMED
11 FLUID UNIT WT(LB/FT <sup>3</sup> )	62.500	ASSUMED
12 DEPTH OF FLUID (IN)	64.000	ASSUMED
13 TENSTRGTH STEEL(KSI)	65.000	ASSUMED
14 COMPSTRGTH CONC(KSI)	5.000	ASSUMED
15 CONCOV:OUT STEEL(IN)	1.000	ASSUMED
16 CONCOV:IN STEEL (IN)	1.000	ASSUMED
17 LOAD FACTOR: MOM, SHR	1.300	ASSUMED
18 LOAD FACTOR: THRUST	1.300	ASSUMED
19 INSIDE WIRE DIAM(IN)	0.0	NO VALUE
20 OUTSIDE WIREDIAM(IN)	0.0	NO VALUE
21 TYPE OF REINFORCING	2.000	ASSUMED
22 # LAYERS CIRCUM REIN	1.000	ASSUMED
23 SPCG INSD WIRES (IN)	2.000	ASSUMED
24 SPCG OUTSD WIRES (IN)	2.000	ASSUMED
25 CAP RED FACTOR FLEX	0.900	ASSUMED
26 CRACK FACTOR	1.000	ASSUMED
27 MODLS ELAS:STL (KSI)	29000.000	ASSUMED
28 MODLS ELAS:CONC(KSI)	4286.824	ASSUMED
29 MEAN RAD:SPRGLN (IN)	46.000	ASSUMED
30 MEAN RAD:CRWNVT(IN)	46.000	ASSUMED
31 EQIV CIRC DIAM (IN)	64.000	ASSUMED
32 LOAD ANGLE (DEG)	270.000	ASSUMED
33 CAP RED FACTOR SHEAR	0.900	ASSUMED
34 PAD TENS PROC FACTOR	1.000	ASSUMED
35 SHEAR PROCESS FACTOR	1.000	ASSUMED

c. Pipe Geometry

JOINT	DEG FROM VERTICAL	X(Y)		GEOMETRY		SI(1)	CO(1)
		INCHES FROM CENTER	INCHES FROM CENTER	INCHES	RADIANS		
1	0.	0.0	-46.888	4.013	0.0	0.844	0.999
2	5.	4.882	-46.822	4.013	0.087	0.131	0.921
3	10.	7.988	-46.301	4.013	0.175	0.216	0.976
4	15.	11.986	-44.435	4.013	0.262	0.301	0.954
5	20.	15.733	-43.224	4.013	0.349	0.383	0.924
6	25.	19.448	-41.698	4.013	0.436	0.462	0.887
7	30.	23.080	-39.837	4.013	0.524	0.537	0.843
8	35.	26.584	-37.641	4.013	0.611	0.609	0.793
9	40.	29.968	-35.238	4.013	0.698	0.676	0.737
10	45.	32.527	-32.527	4.013	0.785	0.737	0.676
11	50.	35.238	-29.568	4.013	0.873	0.793	0.609
12	55.	37.681	-26.385	4.013	0.960	0.843	0.537
13	60.	39.837	-23.080	4.013	1.047	0.887	0.462
14	65.	41.698	-19.698	4.013	1.134	0.924	0.383
15	70.	43.224	-16.224	4.013	1.222	0.954	0.301
16	75.	44.435	-12.698	4.013	1.309	0.976	0.216
17	80.	45.301	-9.088	4.013	1.396	0.991	0.131
18	85.	45.822	-4.889	4.013	1.484	0.999	0.044
19	90.	46.000	-0.000	4.013	1.571	0.999	-0.044
20	95.	45.822	4.889	4.013	1.658	0.991	-0.131
21	100.	45.301	7.988	4.013	1.745	0.976	-0.216
22	105.	44.435	11.986	4.013	1.833	0.954	-0.301
23	110.	43.224	15.733	4.013	1.920	0.924	-0.383
24	115.	41.698	19.448	4.013	2.007	0.887	-0.462
25	120.	39.837	23.080	4.013	2.094	0.843	-0.537
26	125.	37.681	26.385	4.013	2.182	0.793	-0.609
27	130.	35.238	29.068	4.013	2.269	0.737	-0.676
28	135.	32.527	32.027	4.013	2.356	0.676	-0.737
29	140.	29.968	35.238	4.013	2.443	0.609	-0.793
30	145.	27.385	37.681	4.013	2.531	0.537	-0.843
31	150.	23.080	39.837	4.013	2.618	0.462	-0.887
32	155.	19.448	41.698	4.013	2.705	0.383	-0.924
33	160.	15.733	43.224	4.013	2.793	0.301	-0.954
34	165.	11.986	44.435	4.013	2.880	0.216	-0.976
35	170.	7.988	45.301	4.013	2.967	0.131	-0.991
36	175.	4.889	45.822	4.013	3.054	0.044	-0.999
37	180.	0.000	46.000	0.0	3.142	0.0	0.0

d. Joint Pressure

I	DEG FROM VERTICAL	LOADS AT EACH JOINT, KIPS/IN/FOOT					
		HEAD		SOIL		FLUID	
		RADIAL	TANG	RADIAL	TANG	RADIAL	TANG
1	0.	-0.008333	0.0	0.249577	0.0	0.022972	0.0
2	5.	-0.008132	0.000726	0.249372	0.0	0.022161	0.0
3	10.	-0.007927	0.001447	0.249166	0.0	0.019832	0.0
4	15.	-0.007719	0.002157	0.248960	0.0	0.016802	0.0
5	20.	-0.007511	0.002854	0.248754	0.0	0.013013	0.0
6	25.	-0.007303	0.003522	0.248548	0.0	0.008435	0.0
7	30.	-0.007095	0.004167	0.248342	0.0	-0.002928	0.0
8	35.	-0.006887	0.004780	0.248136	0.0	-0.011336	0.0
9	40.	-0.006679	0.005357	0.247930	0.0	-0.019625	0.0
10	45.	-0.006471	0.005893	0.247724	0.0	-0.027813	0.0
11	50.	-0.006263	0.006384	0.247518	0.0	-0.035843	0.0
12	55.	-0.006055	0.006826	0.247312	0.0	-0.043751	0.0
13	60.	-0.005847	0.007217	0.247106	0.0	-0.051486	0.0
14	65.	-0.005639	0.007553	0.246900	0.0	-0.059000	0.0
15	70.	-0.005431	0.007831	0.246694	0.0	-0.066253	0.0
16	75.	-0.005223	0.008099	0.246488	0.0	-0.073305	0.0
17	80.	-0.005015	0.008277	0.246282	0.0	-0.080117	0.0
18	85.	-0.004807	0.008372	0.246076	0.0	-0.086650	0.0
19	90.	0.0	0.008333	0.245870	0.0	-0.092954	0.0
20	95.	0.000726	0.008162	0.245664	0.0	-0.100000	0.0
21	100.	0.001447	0.007884	0.245458	0.0	-0.107754	0.0
22	105.	0.002157	0.007509	0.245252	0.0	-0.116166	0.0
23	110.	0.002854	0.007031	0.245046	0.0	-0.125186	0.0
24	115.	0.003522	0.006553	0.244840	0.0	-0.134861	0.0
25	120.	0.004167	0.006071	0.244634	0.0	-0.145143	0.0
26	125.	0.004780	0.005586	0.244428	0.0	-0.156083	0.0
27	130.	0.005357	0.005099	0.244222	0.0	-0.167641	0.0
28	135.	0.005893	0.004613	0.244016	0.0	-0.179867	0.0
29	140.	0.006384	0.004135	0.243810	0.0	-0.192711	0.0
30	145.	0.006826	0.003667	0.243604	0.0	-0.206123	0.0
31	150.	0.007217	0.003217	0.243398	0.0	-0.220153	0.0
32	155.	0.007553	0.002782	0.243192	0.0	-0.234841	0.0
33	160.	0.007831	0.002350	0.242986	0.0	-0.250137	0.0
34	165.	0.008099	0.001921	0.242780	0.0	-0.266001	0.0
35	170.	0.008277	0.001497	0.242574	0.0	-0.282483	0.0
36	175.	0.008372	0.001076	0.242368	0.0	-0.299543	0.0
37	180.	0.008333	0.0	0.242162	0.0	0.0	0.0

PIPE WEIGHT= 2.408 KIPS/FOOT

SOIL WEIGHT= 10.667 KIPS/FOOT

FLUID WEIGHT= 2.408 KIPS/FOOT

e. Joint Daplacement Table

DISPLACEMENTS, INCHES											
LOADING			LOADING			LOADING					
	1	2	3	1	2	3	1	2	3		
ELEMENT	1	2	3	4	5	6	7	8	9		
X	0.0	0.0	0.0	0.161830-05	-0.243960-04	0.039250-03	0.316630-04	0.201980-04	0.331720-04		
Y	0.0	0.0	0.0	-0.911910-04	-0.227240-03	-0.479300-04	-0.340200-03	-0.893860-03	-0.188790-03		
ROT	0.0	0.0	0.0	-0.444010-04	-0.112190-03	-0.239760-04	-0.795860-04	-0.219380-03	-0.463830-04		
ELEMENT	4	5	6	7	8	9	10	11	12		
X	0.408670-03	0.226760-03	0.691070-04	0.246210-03	0.625890-03	0.187820-03	0.447690-03	0.125610-02	0.338560-03		
Y	-0.723540-03	-0.195590-02	-0.413680-03	-0.116230-02	-0.334440-02	-0.788910-03	-0.166340-02	-0.497140-02	-0.185350-02		
ROT	-0.317210-03	-0.316800-03	-0.680210-04	-0.127390-03	-0.408210-03	-0.861590-04	-0.138690-03	-0.366120-03	-0.180640-03		
ELEMENT	7	8	9	10	11	12	13	14	15		
X	0.710270-03	0.212830-02	0.537420-03	0.102940-02	0.322480-02	0.787080-03	0.138030-02	0.450530-02	0.187720-02		
Y	-0.418130-02	-0.673780-02	-0.142920-02	-0.268860-02	-0.854190-02	-0.181340-02	-0.316280-02	-0.102880-01	-0.218550-02		
ROT	-0.347690-03	-0.311970-03	-0.310910-03	-0.149030-02	-0.536330-03	-0.116640-03	-0.145350-03	-0.539050-03	-0.117760-03		
ELEMENT	10	11	12	13	14	15	16	17	18		
X	0.375690-02	0.591670-02	0.139520-02	0.214350-02	0.136260-02	0.172600-02	0.251580-02	0.880860-02	0.285310-02		
Y	-0.458690-02	-0.118950-01	-0.252840-02	-0.394960-02	-0.133820-01	-0.282740-02	-0.424510-02	-0.144710-01	-0.387550-02		
ROT	-0.137310-03	-0.521510-03	-0.114470-03	-0.179370-02	-0.488580-03	-0.167290-03	-0.112880-03	-0.435330-03	-0.968240-04		
ELEMENT	13	14	15	16	17	18	19	20	21		
X	0.245830-02	0.191490-01	0.256030-02	0.315510-02	0.113290-01	0.243270-02	0.339280-02	0.122990-01	0.285740-02		
Y	-0.447240-02	-0.153910-01	-0.326890-02	-0.463550-02	-0.160680-01	-0.340880-02	-0.474210-02	-0.165270-01	-0.350100-02		
ROT	-0.926850-04	-0.373480-03	-0.837220-04	-0.798200-04	-0.382890-03	-0.686020-04	-0.548360-04	-0.226610-03	-0.520680-04		
ELEMENT	16	17	18	19	20	21	22	23	24		
X	0.356130-02	0.129890-01	0.302480-02	0.365400-02	0.133970-01	0.312560-02	0.366810-02	0.134990-01	0.315850-02		
Y	-0.448080-02	-0.168870-01	-0.355110-02	-0.483050-02	-0.169850-01	-0.357210-02	-0.483890-02	-0.170260-01	-0.357580-02		
ROT	-0.441170-04	-0.147280-03	-0.346860-04	-0.138120-04	-0.678990-04	-0.178080-04	-0.617270-05	-0.118850-04	-0.489490-06		
ELEMENT	19	20	21	22	23	24	25	26	27		
X	0.263960-02	0.132990-01	0.312260-02	0.344810-02	0.128120-01	0.302180-02	0.326630-02	0.128690-01	0.285390-02		
Y	-0.484230-02	-0.170730-01	-0.357190-02	-0.488580-02	-0.171580-01	-0.357460-02	-0.488550-02	-0.173830-01	-0.359400-02		
ROT	0.281760-04	0.865590-04	0.173280-04	0.427860-04	0.136380-03	0.331050-04	0.586460-04	0.219430-03	0.474630-04		
ELEMENT	22	23	24	25	26	27	28	29	30		
X	0.310990-02	0.111100-01	0.264820-02	0.271890-02	0.198870-02	0.239640-02	0.238330-02	0.874480-02	0.211670-02		
Y	-0.454710-02	-0.175700-01	-0.363880-02	-0.504540-02	-0.179800-01	-0.371980-02	-0.518470-02	-0.185490-01	-0.382700-02		
ROT	0.724540-04	0.274470-03	0.682970-04	0.879660-04	0.320990-03	0.707560-04	0.929360-04	0.356730-03	0.792470-04		
ELEMENT	25	26	27	28	29	30	31	32	33		
X	0.204130-02	0.245010-02	0.182160-02	0.169890-02	0.615230-02	0.152370-02	0.136790-02	0.490370-02	0.123480-02		
Y	-0.126590-02	-0.192810-01	-0.397940-02	-0.558660-02	-0.201660-01	-0.416560-02	-0.584170-02	-0.211840-01	-0.438310-02		
ROT	0.594170-04	0.382680-03	0.854320-04	0.103160-03	0.378800-03	0.892390-04	0.184220-03	0.402890-03	0.906160-04		
ELEMENT	28	29	30	31	32	33	34	35	36		
X	0.136310-02	0.374890-02	0.965110-03	0.798210-03	0.272830-02	0.723260-03	0.577020-03	0.185580-02	0.515390-03		
Y	-0.412340-02	-0.223660-01	-0.462530-02	-0.642200-02	-0.234910-01	-0.488350-02	-0.627590-02	-0.246960-01	-0.514760-02		
ROT	0.102640-03	0.397380-03	0.896170-04	0.989170-04	0.381710-03	0.863110-04	0.919970-04	0.356760-03	0.808240-04		
ELEMENT	31	32	33	34	35	36	37	38	39		
X	0.367360-03	0.115810-02	0.345170-03	0.221970-03	0.634490-03	0.213590-03	0.118760-03	0.276630-03	0.119020-03		
Y	-0.152280-02	-0.258720-01	-0.540660-02	-0.738030-02	-0.269700-01	-0.564950-02	-0.754680-02	-0.279430-01	-0.586530-02		
ROT	0.122680-04	0.323840-03	0.733260-04	0.729730-04	0.281660-03	0.640260-04	0.681890-04	0.235630-03	0.531790-04		
ELEMENT	34	35	36	37	38	39	40	41	42		
X	0.229740-04	0.657180-04	0.573780-04	0.174690-04	0.242620-04	0.224780-04	0.324620-05	0.346790-04	0.637750-05		
Y	-0.775840-02	-0.287490-01	-0.684450-02	-0.790270-02	-0.273320-01	-0.617870-02	-0.799730-02	-0.297240-01	-0.626180-02		
ROT	0.465910-04	0.188130-03	0.418320-04	0.315320-04	0.122450-03	0.279190-04	0.139490-04	0.619400-04	0.141230-04		
ELEMENT	37	38	39	40	41	42	43	44	45		
X	0.0	0.0	0.0	0.0	0.0	0.0	0.0	0.0	0.0		
Y	-0.832950-02	-0.298510-01	-0.629800-02								
ROT	0.0	0.0	0.0								

f. Moments, Thrusts and Shears at Joints

SERVICE LOAD INPUTS (KIPS/FT), SHEAR (KIPS/FT), MOMENT (IN.KIPS/FT)											
JOINT	LEG. FROM VERTICAL	DEAD LOAD			SOIL LOAD			FLUID LOAD			
		N	Y	M	N	Y	M	N	Y	M	
1	0.	0.1902	1.2027	26.4381	3.5193	-0.4002	61.7218	-0.6454	-0.8150	13.2007	
2	5.	0.2911	1.1872	21.7164	3.5153	0.6805	60.3391	-0.6397	0.1317	12.9656	
3	10.	0.3842	1.0846	17.2305	3.6341	1.3357	56.2613	-0.6221	0.2711	12.1522	
4	15.	0.4684	1.0158	15.0136	3.7761	1.9164	50.7907	-0.5933	0.3360	10.8064	
5	20.	0.5439	0.9387	9.7866	3.9444	2.3958	41.0018	-0.5539	0.4099	8.9988	
6	25.	0.6092	0.8572	5.4762	4.1089	2.7453	30.6237	-0.5069	0.4768	6.8258	
7	30.	0.6652	0.7722	2.2027	4.2371	2.9810	19.1444	-0.4545	0.6218	4.4059	
8	35.	0.7129	0.6832	-0.7722	4.3299	2.9639	7.2217	-0.3998	0.6311	1.8769	
9	40.	0.7483	0.5978	-3.2883	4.3966	2.8912	-4.4248	-0.3460	0.6021	-0.6143	
10	45.	0.7716	0.5029	-5.4904	4.3758	2.4462	-15.0310	-0.2964	0.5358	-2.9898	
11	50.	0.7869	0.4123	-7.3272	4.3760	2.0019	-23.9626	-0.2556	0.4459	-4.8788	
12	55.	0.7925	0.3238	-8.8027	4.3261	1.5745	-31.1439	-0.2184	0.3591	-6.4959	
13	60.	0.7888	0.2361	-9.9242	4.2452	1.1672	-36.6495	-0.1908	0.2744	-7.7884	
14	65.	0.7761	0.1522	-10.7012	4.1309	0.7827	-40.5391	-0.1704	0.1925	-8.7053	
15	70.	0.7550	0.0776	-11.1502	4.0836	0.4236	-42.9741	-0.1579	0.1145	-9.3213	
16	75.	0.7262	0.0201	-11.2883	4.0861	0.0921	-44.0835	-0.1502	0.0410	-9.6329	
17	80.	0.6904	-0.0712	-11.1372	4.0810	-0.2098	-43.7573	-0.1496	0.0271	-9.6587	
18	85.	0.6482	-0.1348	-10.7207	4.0702	-0.4889	-42.3598	-0.1597	-0.0893	-9.4228	
19	90.	0.6008	-0.1701	-10.0653	4.0535	-0.7188	-39.8398	-0.1649	-0.1451	-8.9496	
20	95.	0.5487	-0.2188	-9.1992	4.0368	-0.9237	-36.6271	-0.1797	-0.1937	-8.2661	
21	100.	0.4929	-0.2799	-8.1527	4.0202	-1.0949	-32.5696	-0.1985	-0.2355	-7.4410	
22	105.	0.4344	-0.3531	-6.9566	4.0151	-1.2315	-27.8753	-0.2205	-0.2699	-6.3838	
23	110.	0.3741	-0.4384	-5.6424	4.0201	-1.3342	-22.7877	-0.2452	-0.2959	-5.2448	
24	115.	0.3129	-0.5356	-4.2434	4.0255	-1.4053	-17.1946	-0.2718	-0.3186	-4.0153	
25	120.	0.2519	-0.6448	-2.7911	4.0314	-1.4397	-11.4703	-0.2998	-0.3326	-2.7260	
26	125.	0.1918	-0.7663	-1.3180	4.0375	-1.4344	-5.6653	-0.3284	-0.3291	-1.4088	
27	130.	0.1335	-0.9001	0.1454	4.0505	-1.4188	0.9378	-0.3578	-0.3254	-0.2906	
28	135.	0.0780	-0.9468	1.5698	4.0729	-1.3848	7.6788	-0.3849	-0.3147	1.1976	
29	140.	0.0261	-0.9267	2.9269	4.1133	-1.2842	11.8328	-0.4116	-0.2975	2.4305	
30	145.	-0.0216	-0.8004	4.1899	4.1507	-1.1295	15.9921	-0.4366	-0.2743	3.5812	
31	150.	-0.0644	-0.2685	5.3356	4.1887	-1.0529	20.4825	-0.4593	-0.2457	4.6279	
32	155.	-0.1117	-0.2316	6.3728	4.2227	-0.9274	24.9274	-0.4793	-0.2124	5.5498	
33	160.	-0.1329	-0.1905	7.1928	4.2505	-0.7457	27.7857	-0.4962	-0.1749	6.3291	
34	165.	-0.1576	-0.1459	7.8708	4.2730	-0.5283	30.4921	-0.5097	-0.1341	6.9549	
35	170.	-0.1755	-0.0987	8.3624	4.2512	-0.3862	32.3247	-0.5195	-0.1088	7.4033	
36	175.	-0.1864	0.0498	8.6616	4.1828	-0.1948	33.4959	-0.5255	0.0459	7.6785	
37	180.	-0.1902	0.0	8.7619	4.1213	0.0	35.8877	-0.5288	0.0	7.7807	

g. Table of Ultimate Forces

TABLE OF ULTIMATE FORCES			
DESIGN LOCATION	MOMENT	THRUST	SHEAR
DEG FROM INVERT	IN.KIPS/FOOT	KIPS/FOOT	KIPS/FOOT
0.0	131.769	3.983	0.0
17.92	84.968	5.744	4.711
75.00	-84.401	8.297	0.170
148.88	37.725	5.097	2.092
180.00	65.546	4.424	0.0

h. Flexure Design Table

FLEXURE DESIGN TABLE									
DESIGN LOCATION	DESIGN VALUES				GOVERNING DESIGN				
DEG FROM INVERT	FLEXURE SQ.IN./FT	REINFORCING CRACK CONTROL SQ.IN./FT	CRACK INDEX	RADIAL TENSION INDEX	AREA SQ.IN./FT	STEEL RATIO	STIRRUP FACTOR	STIRRUP EXTENT IN.	GOVERNING MODE
0.0	0.311	0.110	0.353	0.460	0.311	0.0043	0.0	0.0	FLEXURE
75.00	0.139	0.0	0.0	0.0	0.139	0.0019	0.0	0.0	FLEXURE
180.00	0.130	0.0	0.0	0.204	0.130	0.0018	0.0	0.0	MIN STEEL

i. Shear Design Table

SHEAR DESIGN TABLE					
DESIGN LOCATION DEG FROM INVERT	REQUIRED REINFORCING SQ. IN./FT	STEEL RATIO	STIRRUP FACTOR	STIFRUP EXTENT IN.	GCVERNING MODE
17.92	0.0	0.0	0.0	0.0	DOESNOTGOVRN
148.88	0.0	0.0	0.0	0.0	DOESNOTGOVRN

j. Summary Table for Design

84.0 INCH DIAMETER REINFORCED CONCRETE CIRCULAR PIPE *****	
INSTALLATION DATA	
HEIGHT OF FILL ABOVE CROWN, FT.	7.50
UNIT WEIGHT, PCF	120.00
SOIL-STRUCTURE INTERACTION COEFFICIENT	1.20
BEDDINE ANGLE, DEGREES	90.00
LOAD ANGLE, DEGREES	270.00
MATERIAL PROPERTIES	
STEEL - MINIMUM SPECIFIED YIELD STRESS, PSI	65000.
REINFORCING TYPE	2.
NO. OF LAYERS OF REINFORCING	1.
CONCRETE - SPECIFIED COMPRESSIVE STRESS, PSI	5000.
LOADING DATA	
LOAD FACTOR - MOMENT AND SHEAR	1.30
LOAD FACTOR - THRUST	1.30
STRENGTH REDUCTION FACTOR-FLEXURE	0.90
STRENGTH REDUCTION FACTOR-DIAGONAL TENSION	0.90
LIMITING CRACK WIDTH FACTOR	1.00
PIPE DATA	
WALL THICKNESS, IN.	8.00
INSIDE CONCRETE COVER OVER STEEL, IN.	1.00
OUTSIDE CONCRETE COVER OVER STEEL, IN.	1.00
FLUID DATA	
FLUID DENSITY, PCF.	62.50
DEPTH OF FLUID, INCHES ABOVE INVERT	84.00
REINFORCING STEEL DATA	
INVERT- INSIDE REINFORCING, SQ. IN./FT.	0.311
SPRINGLINE- OUTSIDE REINFORCING, SQ. IN./FT.	0.139
CROWN- INSIDE REINFORCING, SQ. IN./FT.	0.130

## C.2.2 Debug = 1

**Listing of BDATA and IBDATA arrays:** All of the input data and some additional parameters which are calculated from input data are stored in the BDATA array. A map of this array is presented in [Table C-3](#). When this array is listed in the output, a parallel array, IBDATA is also output. This parallel array contains flags which indicate whether the items in the BDATA array were input, assumed, or if no value is present ([Table C-2b](#)).

**Table of Ultimate Forces:** This table ([Table C-2g](#)) lists the ultimate moments, thrusts and shears at each of the five design locations ([Figure C-1](#)) in the pipe. These are the forces used to complete the reinforcing design.

**Flexure Design Table:** This table ([Table C-2h](#)) lists the reinforcing requirements for flexure and crack control, and the index value for radial tension. Also listed is the governing design, the steel ratio produced by that design and stirrup requirements if the radial tension index was greater than 1.0. The governing mode is also listed. The output notes under governing mode are described more fully in [Table C-4](#).

**Shear Design Table:** This table ([Table C-2i](#)) summarizes the design calculations for shear strength. The values listed are the circumferential reinforcing area required to produce the required shear strength, the steel ratio produced by that reinforcing and any stirrup requirements if the circumferential reinforcing required to meet the shear requirements is greater than that needed to meet the flexure or crack requirements.

---

## C.2.3 Debug = 2

**Pipe Geometry:** This table ([Table C-2c](#)) lists the coordinates and angle from vertical (a) and the lengths and unit sines and cosines of each member. The pipe model is shown in [Figure C-2](#).

**Loads Applied at Each Joint:** This table ([Table C-2d](#)) lists the radial and tangential pressure at each joint due to earth, fluid and dead load. The units are kips per circumferential inch per longitudinal foot.

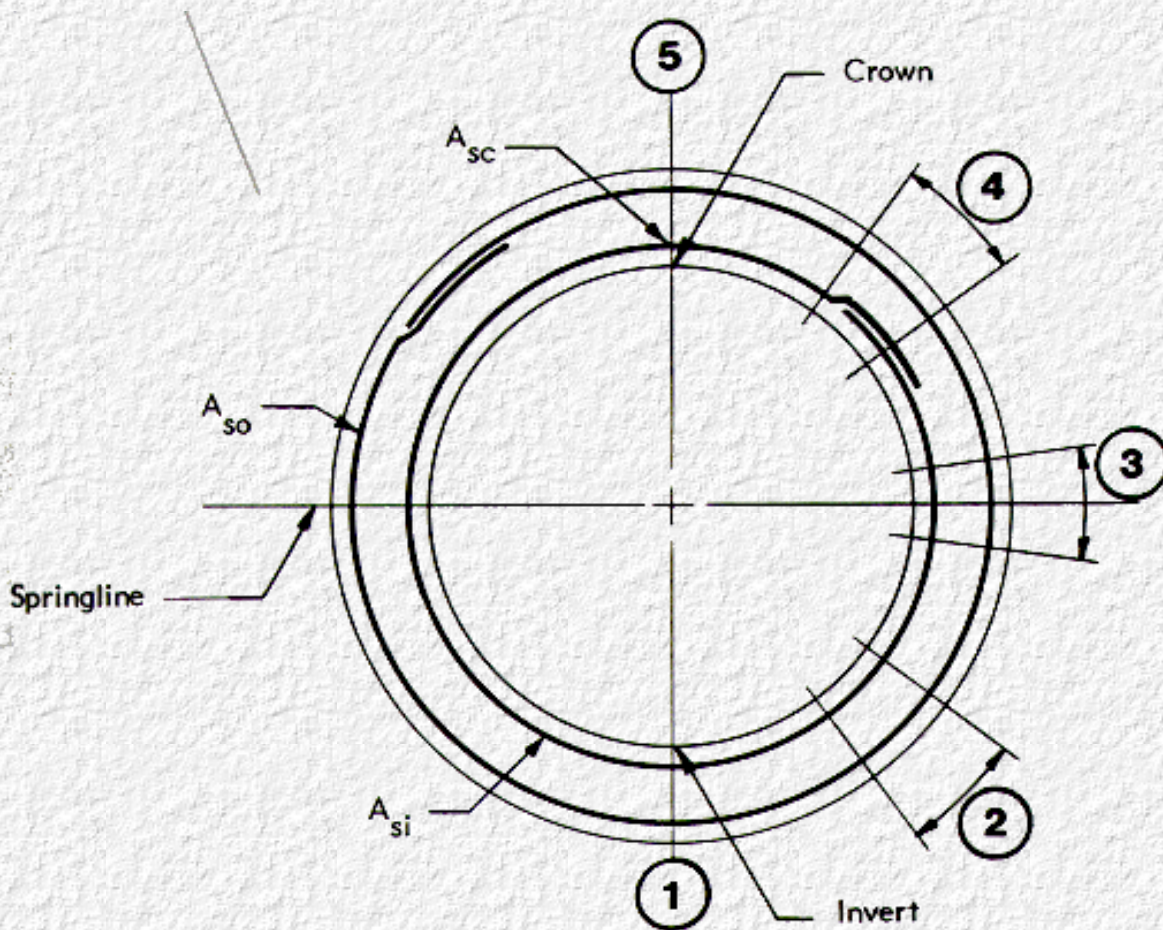
**Pipe, Soil and Fluid Weights:** The total applied loads on the pipe for each load condition. Units are kips per foot ([Table C-2d](#)).

**Moments, Thrusts and Shears at Joints:** This table ([Table C-2f](#)) lists the service load moment thrust and shear at each joint. The forces are listed separately for the three load conditions.

---

## C.2.4 Debug = 3

**Joint Displacements:** This table ([Table C-2e](#)) lists the displacements for each joint due to each load condition. The displacements are in a global coordinate system, with positive x and y displacements as shown in [Figure C-2](#) and rotations positive counterclockwise from the y to the x axis.



**Flexure Design Locations:**

- 1,5 Maximum positive moment locations at invert and crown.
- 3 Maximum negative moment location near springline.

**Shear Design Locations:**

- 2,4 Locations near invert and crown where  $M/V\phi_v d = 3.0$

**Notes:**

1. Reinforcing in crown ( $A_{sc}$ ) will be the same as that used at the invert unless mat, quadrant, or other special reinforcing arrangements are used.
2. Design locations are the same for elliptical sections.

**Figure C-1. Typical Reinforcing Layout and Locations of Critical Sections for Shear and Flexure Design in Pipe Sections**

**Table C-3. Map of BDATA Array**

Index of BDATA	Notation		Description	Units
	Design Method	Computer Code		
1	$r_1$	RADI 1	inside radius, side	in.
2	$r_2$	RADI 2	inside radius, crown & invert	in.
3	$H_e$	H	depth of fill	ft.
4	u	U	horizontal offset distance	in.
5	v	V	vertical offset distance	in.

6	$h$	$T_H$	wall thickness	in.
7	$b_2$	BETA	bedding angle	degrees
8	$F_e$	HH	soil structure int. factor	none
9	$g_s$	GAMAS	soil unit weight	lb/ft <sup>3</sup>
10	$g_c$	GAMAC	concrete unit weight	lb/ft <sup>3</sup>
11	$g_f$	GAMAF	fluid unit weight	lb/ft <sup>3</sup>
12	$d_f$	DF	depth of internal fluid	in.
13	$f_y$	FY	reinforcing yield strength	kips/in. <sup>2</sup>
14	$f'_c$	FCP	concrete compressive strength	kips/in.
15	$t_{bo}$	COUO	cover over outside reinforcing	in.
16	$t_{bi}$	CIN	cover over inside reinforcing	in.
17	$L_{fmv}$	FLMV	load factor, moment, shear	none
18	$L_{fn}$	FLN	load factor, thrust	none
19	$wd_i$	DIN	diameter of inside reinforcing	in.
20	$wd_o$	DOUO	diameter of outside reinforcing	in.
21	RTYPE	RTYPE	reinforcing type	none
22	$n$	NLAY	number of layers of reinforcing	none
23	$S_{li}$	SPIN	spacing of inside reinforcing	in.
24	$S_{lo}$	SPOUO	spacing of outside reinforcing	in.
25	$\phi_f$	PO	strength reduction factor, flexure	none
26	$F_{cr}$	FCR	crack width factor	none
27	$E_s$	EST	modulus of elasticity - steel	kips/in. <sup>2</sup>
28	$E_c$	ECON	modulus of elasticity - concrete	kips/in.
29	$r_{m1}$	RADMI	mean radius, side	in.
30	$r_{m2o}$	RADM2	mean radius, crown, invert	in.
31	$D_{eq}$	EQUID	equivalent circular diameter	in.
32	$\beta_1$	BETAS	load angle	degrees
33	$\phi_d$	POD	strength reduction factor, diagonal tension	none
34	$F_{rp}$	FRP	radial tension strength process factor	none
35	$F_v$	FVP	diagonal tension strength process factor	none

**Table C-4. Description of Governing Mode Output Notes**

<b>Output Note</b>	<b>Description</b>
FLEXURE	Steel area based on ultimate flexural strength requirements.
MIN STEEL	Steel area based on minimum steel requirements.
CRACK	Steel based on crack requirements at service load.
RADTEN + FLEX	Steel area based on ultimate flexural strength requirements, but stirrups are required to meet radial tension requirements.
RADTEN + CR	Steel area based on crack requirements but stirrups required to meet radial tension requirements.
DT NOSTIRRUPS	Diagonal tension strength is exceeded based on steel required for flexure or crack. Stirrups may be used, or the circumferential steel may be increased to the amount shown.
DT + STIRRUPS	Diagonal tension strength is exceeded based on steel required for flexure or crack. Stirrups must be used.
MAXCONCOMPR	Design by usual methods is not possible due to maximum concrete compression. Section must be designed as a compression member, or reanalyzed with a different wall thickness or installation conditions.



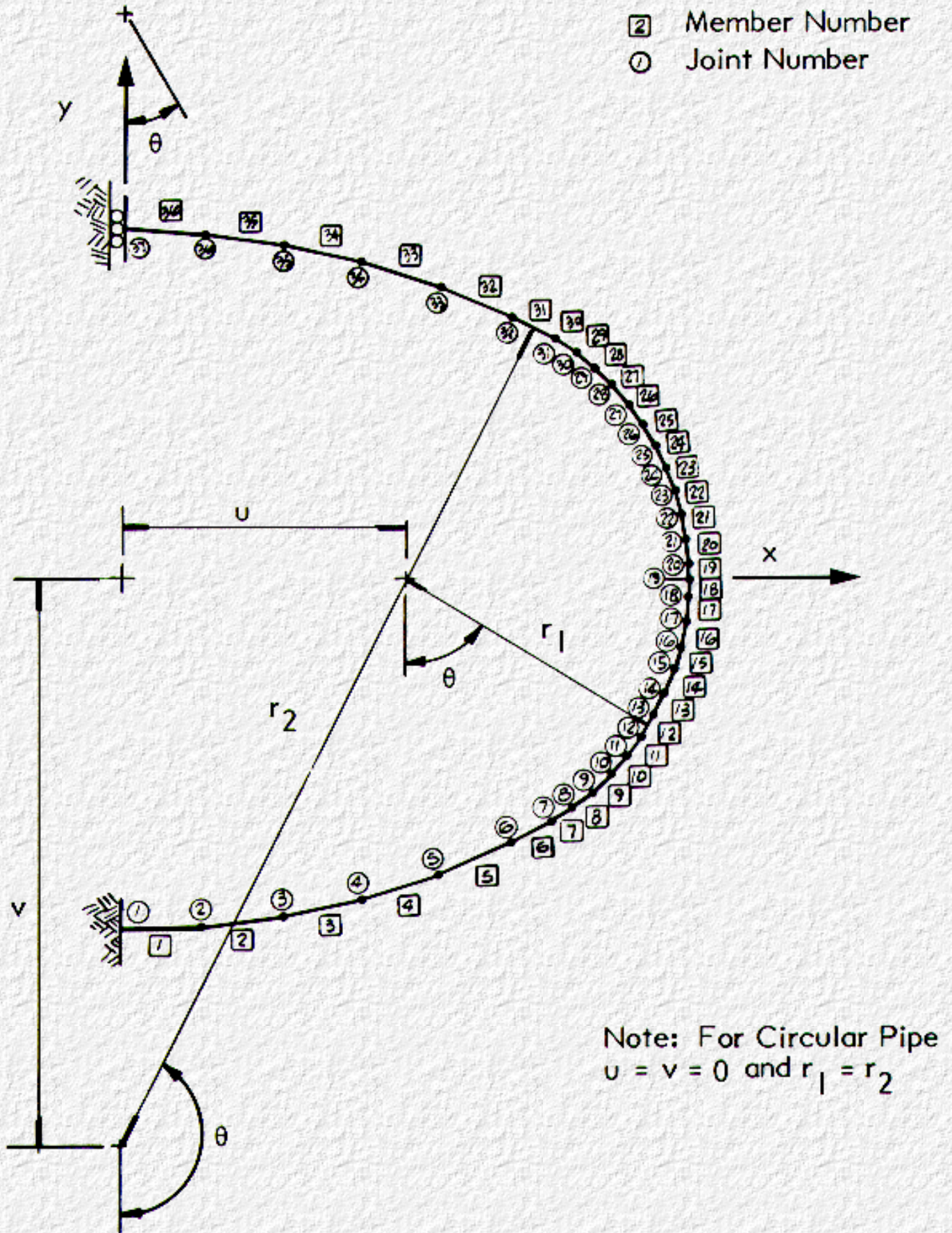


Figure C-2. Frame Model Used for Computer Analysis of Circular and Elliptical Pipe

---

[Go to Appendix D](#)



# Appendix D : FHWA-IP-83-6

## Design Examples

[Go to Appendix E](#)

---

## D.1 Side Tapered Box Section Inlet Design Example

---

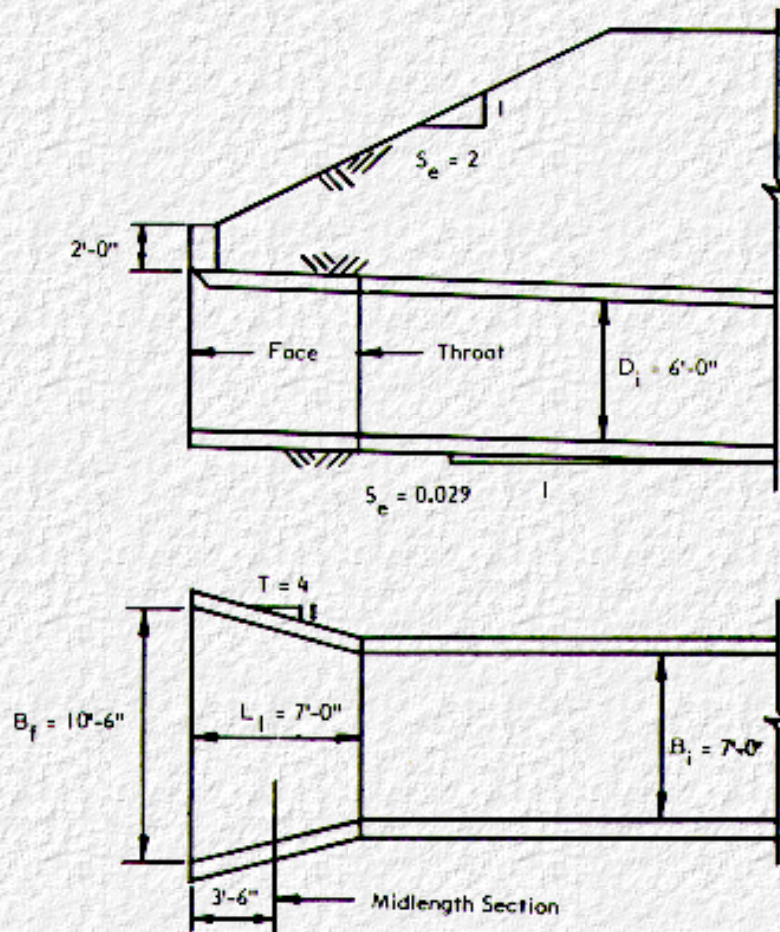
### D.1.1 Problem:

Determine the reinforcing requirements for a cast-in-place side tapered box inlet. For geometry use the results of Example No. 1 in Reference 1.

---

### D.1.2 Design Data

Note: Add 2' surcharge for miscellaneous unanticipated loads.



Given Data		
	Face	Throat
$B_i$	10.5 ft	7.0 ft
$D_i$	6.0 ft	6.0 ft
$T_T, T_B, T_S$	8 in. *	
$H_H, H_V$	8 in.	
$\gamma_s$	120 pcf	
$\gamma_c$	150 pcf	
$\gamma_f$	62.5 pcf	
$a_{min.}$	0.25	
$a_{max.}$	0.50	
$\phi_f$	0.90	
$\phi_v$	0.85	
$F_{cr}$	1.0	
$f_y$	60.0 ksi	
$f'_c$	3.0 ksi	
$t_{bo}$	2.0 in.	
$t_{bi}$	1.0 in.	
$L_f$	1.3	
R Type	3 = Def. bar	
$F_{vp}$	1.0	

Note: Add 2' surcharge for miscellaneous unanticipated loads.

\* Estimated wall thickness =  $T = \frac{B_i}{12} + 1 = \frac{84}{12} + 1 = 8''$

$H_e$  @ Face = 2' + 2' = 4'

$H_e$ ' @ Face =  $H_e + D_i/2 + T_T = 4 + 6/2 + 8/12 = 7.67'$

Say 8'-0"

$H_e$ @ Throat	$=4+L_1(1/S_e+S_o)=4+7(1/2=0.029)=7.7'$	Say 8'-0"
$H_e'$ @ Throat	$=7.7'+3.67'=11.37'$	Say 11'-6"
$H_e$ @ Midlength	$=4+7/2(1/2+0.029)=5.85'$	Say 6'-0"
$B_i$ @ Midlength	$=\frac{10.5+7}{2}=8.75'$	
$H_e$ @ Midlength	$=6+3.67=9.67'$	Say 10'-0"

---

### D.1.3 Calculate Soil Pressure

#### Throat

$$p_v = \gamma_s H_e F_e = \gamma_c T_T = 2\gamma_c D' T_S / B' \quad \text{Eq.31}$$

$$D' = 6+8/12=6.67'; B'=7+8/12=7.67'$$

$$p_v = (120)(8)(1.2) + (150)(8/12) + (2)(150)(6.67)(8/12)/7.67' \quad \begin{array}{l} =1,426 \text{ psf} \\ =118.8 \text{ lb/in/ft} \end{array}$$

$$p_{smax.} = \alpha_{max.} \gamma_s H'_e = (0.5)(120)(11.5) = 690 \text{ psf} \quad \text{Eq. 3.2}$$

$$= 57.5 \text{ lb/in/ft}$$

$$p_{smin.} = \alpha_{max.} \gamma_s H'_e - \gamma_f \frac{(D' - T_T)^2}{2R'} \quad \text{Eq. 3.3}$$

$$= (0.25)(120)(11.5) - 62.5 \frac{(6.67 - \frac{8}{12})^2}{(2)(6.67)} = 176 \text{ psf}$$

$$= 14.7 \text{ lb/in/ft}$$

#### Face

$$D' = 6+8/12=6.67'; B'=10.5+8/12=11.17'$$

$$p_v = (120)(4)(1.2) + (150)(8/12) + (2)(150)(6.67)(8/12)/11.17 = 795 \text{ psf} \quad \text{Eq. 3.1}$$

$$= 66.3 \text{ lb/in/ft}$$

$$p_{smax.} = (0.5)(120)(8) = 480 \text{ psf} = 40 \text{ lb.in/ft} \quad \text{Eq. 3.2}$$

$$p_{smin.} = (0.25)(120)(8) - 62.5 \frac{(6.67 - \frac{8}{12})^2}{(2)(6.67)} = 71 \text{ psf} \quad \text{Eq. 3.3}$$

$$= 5.9 \text{ lb/in/ft}$$

### Midlength

$$D' = 6 + 8/12 = 6.67'; \quad B' = 8.75 + 8/12 = 9.42'$$

$$p_v = (120)(6)(1.2) + (150)(8/12) + (2)(150)(6.67)(8/12)/9.42 = 1,106 \text{ psf} \quad \text{Eq. 3.1}$$

$$= 92.1 \text{ lb/in/ft}$$

$$p_{smax.} = (0.5)(120)(10) = 600 \text{ psf} = 50 \text{ lb.in/ft} \quad \text{Eq. 3.2}$$

$$p_{smin.} = (0.25)(120)(10) - \frac{(62.5)(6.67 - \frac{8}{12})^2}{(2)(6.67)} = 131 \text{ psf} \quad \text{Eq. 3.3}$$

$$= 10.9 \text{ lb/in/ft}$$

## D.1.4 Calculate Moments, Thrusts & Shears @ Design Sections

Using the following equations, calculate the moments, thrusts, and shears at design locations shown on Fig. 4-2.

$$\text{Moment in bottom slab: } M_b(x) = \left\{ \begin{matrix} M_{o \max} \\ M_{o \min} \end{matrix} \right\}^* + 0.5 p_v x (B' - x) \quad \text{Eq. 3.9}$$

$$\text{Moment in sidewall: } M_s(y) = \left\{ \begin{matrix} M_{o \max} \\ M_{o \min} \end{matrix} \right\}^* + \left\{ \begin{matrix} p_{s \max} \\ p_{s \min} \end{matrix} \right\} 0.5 y (D' - y) \quad \text{Eq. 3.10}$$

where:

$$\begin{Bmatrix} M_{o \max} \\ M_{o \min} \end{Bmatrix} = -\frac{p_v B'^2}{12} \left( \frac{1 - 1.5G_3 + 0.5G_4}{1 + G_1 - G_3} \right) - \begin{Bmatrix} p_{s \max} \\ p_{s \min} \end{Bmatrix}^* \left[ \frac{D'^2}{12} \left( \frac{G_1 - G_2}{1 + G_1 - G_3} \right) \right] \text{Eq. 3.8}$$

$$G_1 = \frac{T_T^3 D'}{T_S^3 B'} \text{Eq. 3.4}$$

$$G_2 = \frac{9H_H^5}{D' B' T_S^3} \left( 1 - \frac{T_T}{D'} \right) \text{Eq. 3.5}$$

$$G_3 = \frac{2H_H^3}{B'} \left( \frac{1}{T_T^2} + \frac{T_T}{T_S^3} \right) \text{Eq. 3.6}$$

$$G_4 = \frac{6H_H}{B'} \left( 1.02 - \frac{3T_T}{B'} + \frac{T_T^3}{T_S^3} \right) \text{Eq. 3.7}$$

\* Use  $\frac{M_{o \max.}}{M_{s \min.}}$  or  $\frac{M_{o \min.}}{M_{s \min.}}$  as follows:

Location 8, 9, and 10, use  $P_{s \max}$  only

Locations 11, 12, and 13 check both  $P_{s \max.}$  and  $P_{s \min.}$  for governing case.

Locations 14 and 15 use  $p_{s \min.}$  only.

### Design Shears

Shear in bottom slab:

$$V_b(x) = p_v(B'/2 - x) \text{Eq. 3.11}$$

Shear in sidewall:

$$V_s(y) = P_{s \max.} (D'/2 - y) \text{Eq. 3.12}$$

### Design Thrusts

Thrust in bottom slab:

$$\begin{Bmatrix} N_{b \max} \\ N_{b \min} \end{Bmatrix} = \begin{Bmatrix} p_{s \max} \\ p_{s \min} \end{Bmatrix} \frac{D'}{2} \quad \text{Eq. 3.13}$$

Thrust in sidewall:

$$N_s = \frac{p_v B'}{2} \quad \text{Eq. 3.14}$$

### Throat - Design Moments

$$G_1 = \frac{(8/12)^3 (6.67)}{(8/12)^3 (7.67)} = 0.870 \quad \text{Eq. 3.4}$$

$$G_2 = \frac{(9)(8/12)^5}{(6.67)(7.67)(8/12)^3} \left(1 - \frac{8/12}{6.67}\right) = 0.70 \quad \text{Eq. 3.5}$$

$$G_3 = \frac{(2)(8/12)^3}{7.67} \left( \frac{1}{(8/12)^2} + \frac{8/12}{(8/12)^3} \right) = 0.348 \quad \text{Eq. 3.6}$$

$$G_4 = \frac{(6)(8/12)}{7.67} \left( 1.02 - \frac{(3)(8/12)}{7.67} + \frac{(8/12)^3}{(8/12)^3} \right) = 0.917 \quad \text{Eq. 3.7}$$

$$M_o = \frac{(-118.8)(92)^2}{12} \left( \frac{1 - (1.5)(0.348) + (0.5)(0.917)}{1 + 0.870 - 0.348} \right) - \begin{Bmatrix} P_{s \max} \\ P_{s \min} \end{Bmatrix} \left[ \frac{(80)^2}{12} \left( \frac{0.87 - 0.070}{1 + 0.870 - 0.348} \right) \right] \quad \text{Eq. 3.8}$$

$$= -51558.9 - \begin{Bmatrix} P_{s \max} \\ P_{s \min} \end{Bmatrix} 280.33 \quad \text{Eq. 3.8}$$

$$M_{o \max} = -51558.9 - (57.5)(280.33) = -67680 \text{ in-lb/ft}$$

$$M_{o \min} = -51558.9 - (14.7)(280.33) = -55680 \text{ in-lb/ft}$$



## Throat - Design Moments

Design Location	Coordinat		Moment		
	x (in)	y (in)	p <sub>smin.</sub> (in-lb/ft)	p <sub>smax.</sub> (in-lb/ft)	
8	-	40.00	-	-21630	Sidewall moment Eq. 3.10
11	-	12.00	-49680	-44210	
12	12.00	-	1370	-10630	Bottom slab moment Eq. 3.9
15	46.00	-	70010	-	

## Throat - Design Shears

$$d_{\text{inner}} = (0.96(8)-1) = 6.68 \text{ in}$$

$$d_{\text{outer}} = (0.96(8)-2) = 5.68 \text{ in}$$

$$\phi_v d_{\text{inner}} = 0.85 (6.86) = 5.68 \text{ in}$$

$$\phi_v d_{\text{outer}} = 0.85 (5.86) = 4.83 \text{ in}$$

$$x_{\text{dc}} = 3 \left[ \sqrt{(\phi_v d)^2 + \frac{2M_c}{9w}} - \phi_v d \right] @ \frac{M_u}{V_u \phi_v d} = 3.0 \quad \text{Eq. 4.22}$$

@Design Location 9

$M_8 < 0$  do not investigate

@ Design Location 14 (positive moment region)

$$x_{\text{dc}} = 3 \left[ \sqrt{(5.68)^2 + \frac{(2)(70010)}{(9)(118.8)}} - 5.68 \right] = 21.29 \text{ in}$$

$$x_{\text{coord}@14} = 46.00 - 21.29 = 24.71 \text{ in}$$

## Throat - Design Shears

Design Location	Coordinat		Design Shear (lbs/ft)	
	x (in)	y (in)		
9 10 11	No Check $M_8 < 0$			Shear in sidewall Eq. 3.12

	-	16.83	1330	
	-	12.00	1610	
12	12.00	-	4040	Shear in bottom slab Eq. 3.11
13	17.86	-	3360	
14	24.71	-	2530	

### Throat - Design Thrusts

$$N_{bmax.} = (5.75) \left( \frac{(6.67)(12)}{2} \right) = 2300 \text{ lb/ft} \quad \text{Eq. 3.13}$$

$$N_{bmin.} = (14.7) \left( \frac{(6.67)(12)}{2} \right) = 590 \text{ lb/ft}$$

$$N_s = \frac{(118.8)(7.67)(12)}{2} = 5470 \text{ lb/ft} \quad \text{Eq. 3.14}$$

### Face - Design Moments

$$G_1 = \frac{(8/12)^3 (6.67)}{(8/12)^3 (11.17)} = 0.597 \quad \text{Eq. 3.4}$$

$$G_2 = \frac{(9)(8/12)^5}{(6.67)(11.17)(8/12)^3} \left( 1 - \frac{8/12}{6.67} \right) = 0.048 \quad \text{Eq. 3.5}$$

$$G_3 = \frac{(2)(8/12)^3}{11.17} \left( \frac{1}{(8/12)^2} + \frac{8/12}{(8/12)^3} \right) = 0.239 \quad \text{Eq. 3.6}$$

$$G_4 = \frac{(6)(8/12)}{11.17} \left( 1.02 - \frac{(3)(8/12)}{11.17} + \frac{(8/12)^3}{(8/12)^3} \right) = 0.659 \quad \text{Eq. 3.7}$$

$$M_o = \frac{(-66.3)(134)^2}{12} \left( \frac{1 - (1.5)(0.239) + (0.5)(0.659)}{1 + 0.597 - 0.239} \right) - \left\{ \begin{matrix} P_{smax.} \\ P_{smin.} \end{matrix} \right\} \left[ \frac{(80)^2}{2} \left( \frac{0.597 - 0.048}{1 + 0.597 - 0.239} \right) \right]$$

$$= 70935.1 - \left\{ \begin{matrix} P_{smax} \\ P_{smin} \end{matrix} \right\} 215.61 \quad \text{Eq. 3.8}$$

$$M_{omax.} = -70935.1 - (40)(215.6) = -79560 \text{ in-lb/ft}$$

$$M_{omin.} = -70935.1 - (5.9)(215.6) = -72210 \text{ in-lb/ft}$$

### Face - Design Moments

Design Location	Coordinat		Moment for		
	x (in)	y (in)	P <sub>smin.</sub> (in-lb/ft)	P <sub>smax.</sub> (in-lb/ft)	
8	-	40.00	-	-47560	Sidewall moment Eq. 3.10
11	-	12.00	-69800	-63240	
12	12.00	-	-23680	-31030	Bottom slab moment Eq. 3.9
15	67.00	-	+76600	-	

@Design Location 9

$M_8 < 0$  do not investigate

@ Design Location 14 (positive moment region)

$$x_{dc} = 3 \left[ \sqrt{(5.68)^2 + \frac{(2)(76600)}{(9)(66.3)}} - 5.68 \right] = 33.96 \text{ in.}$$

$$x_{coord@14} = 67.00 - 33.96 = 33.04 \text{ in}$$

Design Location	Coordinat		Design Shear (lbs/ft)	
	x (in)	y (in)		
9	No Check $M_8 < 0$			Shear in sidewall Eq. 3.12
10	-	16.83	930	
11	-	12.00	1120	
12	12.00	-	3650	Shear in bottom slab Eq. 3.11
13	16.83	-	3330	
14	33.04	-	2250	

## Face - Design Thrusts

$$N_{bmax.} = (40)(80/2) = 1600 \text{ lb/ft} \quad \text{Eq. 3.13}$$

$$N_{bmin.} = (5.9)(80/2) = 240 \text{ lb/ft} \quad \text{Eq. 3.13}$$

$$N_s = (66.3)(134)/2 = 4440 \text{ lb/ft} \quad \text{Eq. 3.14}$$

## Mid-Length - Design Moments

$$G_1 = \frac{(8/12)^3 (6.67)}{(8/12)^3 (9.42)} = 0.708 \quad \text{Eq. 3.4}$$

$$G_2 = \frac{(9)(8/12)^5}{(6.67)(9.42)(8/12)^3} \left( 1 - \frac{8/12}{6.67} \right) = 0.057 \quad \text{Eq. 3.5}$$

$$G_3 = \frac{(2)(8/12)^3}{9.42} \left( \frac{1}{(8/12)^2} + \frac{8/12}{(8/12)^3} \right) = 0.283 \quad \text{Eq. 3.6}$$

$$G_4 = \frac{(6)(8/12)}{9.42} \left( 1.02 - \frac{(3)(8/12)}{9.42} + \frac{(8/12)^3}{(8/12)^3} \right) = 0.768 \quad \text{Eq. 3.7}$$

$$M_o = \frac{(-92.1)(113)^2}{12} \left( \frac{1 - (1.5)(0.283) + (0.5)(0.768)}{1 + 0.708 - 0.283} \right) - \left\{ \begin{array}{l} P_{smax.} \\ P_{smin.} \end{array} \right\} \left[ \frac{(80)^2}{12} \left( \frac{0.708 - 0.057}{1 + 0.708 - 0.283} \right) \right]$$

$$= -65988.1 - \left\{ \begin{array}{l} P_{smax.} \\ P_{smin.} \end{array} \right\} 243.65 \quad \text{Eq. 3.8}$$

$$M_{omax.} = -78170 \text{ in-lb/ft}$$

$$M_{omin.} = -68640 \text{ in-lb/ft}$$

Design Location	y Coordinate	Moment for

	(in)	P <sub>smin.</sub> (in-lb/ft)	P <sub>smax.</sub> (in-lb/ft)	
8 11	40.00 12.00	- -64190	-38170 -57770	Sidwall moment Eq. 3.10
	x Coordinate			
12 15	12.00 56.50	-12830 +78360	-22360 -	bottom slab moment Eq. 3.9

### Mid-length Design Shears

@Design Location 9

$M_8 < 0$  do not investigate

@ Design Location 14 (positive moment region)

$$x_{dc} = 3 \left[ \sqrt{(5.68)^2 + \frac{(2)(78360)}{(9)(92.1)}} - 5.68 \right] = 27.59 \text{ in.}$$

$$x_{\text{coord}@14} = 56.50 - 27.59 = 28.91 \text{ in}$$

Design Location	Coordinat		Design Shear (lbs/ft)	
	x (in)	y (in)		
9 10 11	No Check $M_8 < 0$			Shear in sidewall Eq. 3.12
	-	16.83	116.	
	-	12.00	1400	
12 13 14	12.00 16.83 28.90	- - -	4100 3650 2540	Shear in bottom slab Eq. 3.11

### Midlength Design Thrusts

$$N_{b\text{max.}} = (50) \left( \frac{(6.67)(12)}{2} \right) = 2000 \text{ lb/ft}$$

Eq. 3.13

$$N_{bmin.} = (10.9)(40) = 440 \text{ lb/ft} \quad \text{Eq. 3.13}$$

$$N_s = \frac{(92.1)(9.42)(12)}{2} = 5200 \text{ lb/ft} \quad \text{Eq. 3.14}$$

### Summary of Design Moments, Thrusts And Shears

Section	Design Location	Service Load Forces			Ultimate Load Forces*		
		M (in-lb/ft)	N (lb/ft)	V (lb/ft)	M <sub>u</sub> (in-lb/ft)	N <sub>u</sub> (lb/ft)	V <sub>u</sub> (lb/ft)
Throat	8	-21630			M <sub>8</sub> < 0 - No Flexure Design Required		
	9				M <sub>8</sub> < 0 - No shear Design Required		
	10	**	**	1330	-	-	1730
	11	-49680	5470	1610	-64580	7110	2090
	12	-10630	2300	4040	-13820	2990	5250
	13	**	**	3360	-	-	4370
14	**	590	2530	-	770	3290	
15	70010	590	**	91010	770	-	
face	8	-47560			M <sub>8</sub> < 0 - No Flexure Design Required		
	9				M <sub>8</sub> < 0 - No shear Design Required		
	10	**	**	930	-	-	1210
	11	-69800	4400	1120	-90740	5720	1460
	12	-31030	1600	3650	-40340	2080	4750
	13	**	**	3330	-	-	4330
14	**	240	2250	-	310	2930	
15	76600	240	**	99580	310	-	
Mid- Length	8	-38170			M <sub>8</sub> < 0 - No Flexure Design Required		
	9				M <sub>8</sub> < 0 - No shear Design Required		

	10	**	**	1160	-	-	1510
	11	-64190	5200	1400	-83450	6760	1820
	12	-22360	2000	4100	-29070	2600	5330
	13	**	**	3650	-	-	4750
	14	**	440	2540	-	570	3300
	15	78360	440	**	101870	570	-

\* Load factor x service load force - Eq. 4.1, 4.2, and 4.3.  
 \*\* Force at this location not required for calculations.

## D.1.5 Reinforcing Design

### Flexure

$$A_s = \left\{ g\phi_f d - N_u - \sqrt{g[g(\phi_f d)^2 - N_u(2\phi_f d - h) - 2M_u]} \right\} \frac{1}{f_y} \quad \text{Eq. 4.4}$$

$$g = 0.85 b f'_c = (0.85)(12)(3000) = 30600 \quad \text{Eq. 4.5}$$

$$= 0.96 h - t_b \quad \text{Eq. 4.6}$$

$$d = (0.96)(8) - 1 = 6.68" \text{ To inner steel (positive moment)}$$

$$= (0.96)(8) - 2 = 5.68" \text{ To outer steel (negative moment)}$$

$$f_f = 0.90$$

$$\max A_s = \left( \frac{(5.5 \times 10^4)(g)(\phi_f)(d)}{(87000 + f_y)} - 0.75 N_u \right) \frac{1}{f_y} \quad \text{Eq. 4.14}$$

$$g' = \left[ 0.85 - 0.05 \left( \frac{3000 - 4000}{10000} \right) \right] b f'_c \quad \text{Eq. 4.15}$$

$$g' = \left[ 0.85 - 0.05 \left( \frac{3000 - 4000}{10000} \right) \right] (12)(3000) = 32400$$

$$(0.85)(12)(3000) = 30600 < 32400 \text{ use } g' = 30600$$

$$\min A_s = 0.002 b h \quad \text{Eq. 4.7}$$

$$= (0.002)(12)(8) = 0.192 \text{ in}^2/\text{ft}$$

## Flexure

Section	Design Location	M <sub>u</sub> (in.-lb/ft)	N <sub>u</sub> (lb/ft)	f <sub>r</sub> d (in.)	A <sub>s</sub> (in. <sup>2</sup> /ft)	min.A <sub>s</sub> (in. <sup>2</sup> /ft)	max.A <sub>s</sub> (in. <sup>2</sup> )
Throat	8 (+M)	M8 < 0 - Use min.A <sub>s</sub>				0.192*	-
	11 (-M)	-64580	7110	5.112	0.13	0 0.192*	0.887
	12 (-M)	-13820	2990	5.112	0.007	0 0.192*	0.938
	15 (+M)	+91010	770	6.012	0.256*	0 0.192	1.138
Face	8 (+M)	M8 < 0 - Use min.A <sub>s</sub>				0 0.192*	-
	11 (-M)	-90740	5720	5.112	0.243*	0 0.192	0.904
	12 (-M)	-40340	2080	5.112	0.108	0 0.192*	0.949
	15 (+M)	+99580	310	6.012	0.286*	0 0.192	1.143
Mid Length	8 (+M)	M8 < 0 - Use min.A <sub>s</sub>				0 0.192*	-
	11 (-M)	-83450	6760	5.112	0.203*	0 0.192	0.891
	12 (-M)	-29070	2600	5.112	0.063	0 0.192*	0.943
	15(+M)	+101870	570	6.012	0.291*	0 0.192	1.140
* Governs design at this location.							

## Crack Width Control Check

$$F_{cr} = \frac{B_1}{(30000)(\phi_f)(A_s)} \left[ \frac{M+N(d-h/2)}{ji} - C_1 b h^2 \sqrt{f'_c} \right] \quad \text{Eq. 4.16}$$

$$e = \frac{M}{N} + d - \frac{h}{2} \quad \text{Eq.4.17}$$

$$j @ 0.74 + 0.1 e/d \text{ where } j \leq 0.90 \quad \text{Eq. 4.18}$$

$$i = \frac{1}{1 - \frac{jd}{e}} \quad \text{Eq. 4.19}$$

For Reinforcement Type 3 (RTYPE = 3)

$$= \sqrt[3]{\frac{0.5(t_b)^2(s_t)}{n}} \text{ and } D_1 = 1.9$$

## Crack Width Control Check

Conservatively assume circumferential reinforcement spacing = 12 in. (S<sub>ℓ</sub>)



$n = 1$  (inner and outer cages are each a single layer)

$$B_i = \sqrt[3]{\frac{0.5(1)^2(12)}{n}} = 1.82 \text{ (for tension on inside)}$$

$$B_i = \sqrt[3]{\frac{0.5(2)^2(12)}{n}} = 2.88 \text{ (for tension on outside)}$$

Sect.	Design Location	M (in.-lb/ft)	N (lb/ft)	d (in.)	$B_i$	e (in.)	e/d	j	i	$A_{sflex}$ (in <sup>2</sup> /ft)	$F_{cr}$
Throat	8	-21630	M8 < 0 - No Check Required								
	11	-49680	5470	5.68	2.88	10.76	1.89	0.90	1.91	0.192	< 0
	12	10630	2300	5.68	2.88	6.30	1.11	-	-	0.192	*
	15	+70010	590	6.68	1.82	121.34	18.16	0.90	1.05	0.256	< 0
Face	8	-47560	M8 < 0 - No Check Required								
	11	-69800	4400	5.68	2.88	17.54	3.09	0.90	1.41	0.243	< 0
	12	-31030	1600	5.68	2.88	21.07	3.71	0.90	1.32	0.192	< 0
	15	+76600	240	6.68	1.82	321.85	48.18	0.90	1.02	0.286	0.15
Mid Length	8	-38170	M8 < 0 - No Check Required								
	11	-64190	5200	5.68	2.88	14.02	2.47	0.90	1.57	0.203	< 0
	12	-22360	2000	5.68	2.88	12.86	2.26	0.90	1.66	0.192	< 0
	15	+78360	440	6.68	1.82	180.77	27.06	0.90	1.03	0.291	0.20

\*  $e/d < 1.15$ ; therefore, crack control will not govern.  
 Since  $F_{cr} < 1.0$  at all sections, flexure reinforcement will govern design at all locations.

### Calculate Shear Strength

Method 1 - Locations 10 and 13

$$\phi V_c = 3\phi_v \sqrt{f'_c} b d \quad \text{Eq. 4.20}$$

Use  $d = 5.68$  (conservative) @ throat & midlength section

$$= (3)(0.85) \sqrt{3000} (12)(5.68) = 9520 \text{ lbs/ft}$$

$$V_u \leq \phi V_c \quad \text{Eq. 4.21}$$

Section	Design Location	$V_u$ (lbs/ft)	$\phi V_c$ (lbs/ft)
Throat	10	1730	9520
	13	4370	9520

Face	10 13	1210 4330	9520 9520
Mid Length	10 13	1510 4750	9520 9520

$fV_c > V_u$ ; therefore, shear does not govern design.

Method 2 - Locations 9, 10, 13 and 14

For  $M/(VfVd) > 3.0$

$$\phi V_b = (1.1 + 63\rho) \sqrt{f'_c} \phi_v b d \left( \frac{F_d F_{vp}}{F_c F_N} \right) \quad \text{Eq. 4.24}$$

$$r = \frac{A_s}{\phi_v b d} \quad \text{Eq. 4.25}$$

$$F_d = 0.8 + 1.6/d \leq 1.25 \quad \text{Eq. 4.26}$$

$$F_c = 1 \quad \text{Eq. 4.27a}$$

**Calculate Shear Strength - Method 2**

$$F_N = 1.0 - 0.12 \frac{N_u}{V_u} \geq 0.75 \quad \text{Eq. 4.28}$$

For  $M/(v\phi_v d) < 3.0$

$$\phi V_c = \frac{4\phi_v V_b}{\left( \frac{M}{V\phi_v d} \right)} \leq \frac{4.5 \sqrt{f'_c} b d \phi_v}{F_N} \quad \text{Eq. 4.30}$$

Section	Design Location	$M_u$ (in.-ib/ft)	$N_u$ (ib/ft)	$V_u$ (ib/ft)	$d$ (in.)	$A_s$ (in.2/ft)	$r$	$\frac{M}{V_u \phi_v d}$	$F_d$	$F_N$	$f_v V_b$ lb/ft)	$4v_c$ (lb/ft)
Throat	9	No Check - $M_8 < 0$										
	10 11*	-	-	1730 2090	5.68	0.192	0.0033	6.400+	1.082	0.750	5990	5990
	12 13*	-13820	2990	5250 4370	5.68	0.192	0.0033	0.545	1.082	0.932	12480	12480

	14	-	770	3290	6.68	0.256	0.0038	3.000	1.040	0.972	5350	5350
Face	9	No Check - M8 < 0										
	10 11*	-	-	1210 1460	5.68	0.243	0.0042	12.873+	1.082	0.750	6250	6250
	12 13*	-40340	2080	4750 4330	5.68	0.192	0.0033	1.759	1.082	0.947	4740	6870
	14	-	310	2930	6.68	0.286	0.0042	3.00	1.040	0.987	5370	5370
Mid Length	9	No Check - M8 < 0										
	10 11*	-	-	1510 1820	5.68	0.203	0.0035	9.497+	1.082	0.750	6050	6050
	12 13*	-29070	2600	5330 4750	5.68	0.192	0.0033	1.130	1.082	0.941	4770	8960
	14	-	570	3300	6.68	0.291	0.0043	3.00	1.040	0.979	5440	5440
+ $M/V\phi_v d > 3.0$ , use 3.0												
* Shear strength ( $\phi V_b$ ) at tip of haunch (Sections 11, 12) is compared to shear force ( $V_u$ ) at $\phi_v d$ from tip of haunch (10, 13).												

$\phi_v V_b > V_u$  at all sections; therefore, shear will not govern design.

Box Section Design Example.

12.5 FT. SPAN X 6.0 FT. RISE REINFORCED CONCRETE CULVERT

INSTALLATION DATA

HEIGHT OF FILL OVER CULVERT, FT	4.000
UNIT WEIGHT, PCF	120.000
MINIMUM LATERAL SOIL PRESSURE COEFFICIENT	0.250
MAXIMUM LATERAL SOIL PRESSURE COEFFICIENT	0.500
SOIL - STRUCTURE INTERACTION COEFFICIENT	1.200

LOADING DATA

LOAD FACTOR - MOMENT AND SHEAR	1.300
LOAD FACTOR - THRUST	1.300

MATERIAL PROPERTIES

STEEL - MINIMUM SPECIFIED YIELD STRESS, KSI	60.000
CONCRETE - SPECIFIED COMPRESSIVE STRENGTH, KSI	3.000

CONCRETE DATA

TOP SLAB THICKNESS, IN.	8.000
BOTTOM SLAB THICKNESS, IN.	8.000
SIDE WALL THICKNESS, IN.	8.000
HORIZONTAL HAUNCH DIMENSION, IN.	8.000
VERTICAL HAUNCH DIMENSION, IN.	8.000
CONCRETE COVER OVER STEEL, IN.	
TOP SLAB - OUTSIDE FACE	2.000
SIDE WALL - OUTSIDE FACE	2.000
BOTTOM SLAB - OUTSIDE FACE	2.000
TOP SLAB - INSIDE FACE	1.000
BOTTOM SLAB - INSIDE FACE	1.500
SIDE WALL - INSIDE FACE	1.000

REINFORCING STEEL DATA

LOCATION	AREA SQ. IN. PER FT	MIN WIRE SPAC'G IN.	STIRRUPS REQUIRED?
TOP SLAB - INSIDE FACE	0.247	2.0*	NO
TOP SLAB - OUTSIDE FACE	0.192	2.0*	NO
BOTTOM SLAB - INSIDE FACE	0.271	2.0*	NO
SIDE WALL - OUTSIDE FACE	0.248	2.0*	NO
SIDE WALL - INSIDE FACE	0.192	2.0*	NO

\*PROGRAM ASSIGNED VALUE

THE SIDE WALL OUTSIDE FACE STEEL IS BENT AT THE CULVERT CORNERS AND EXTENDED INTO THE OUTSIDE FACE OF THE TOP AND BOTTOM SLABS. THE THEORETICAL CUT-OFF LENGTHS MEASURED FROM THE BEND POINT ARE 21.7 AND 23.4 IN. RESPECTIVELY. ANCHORAGE LENGTHS MUST BE ADDED.

\*\*\*\*\*  
I N S T A L L A T I O N   D A T A  
-----

HEIGHT OF FILL OVER CULVERT, FT	6.000
LAIT WEIGHT, PCF	120.000
MINIMUM LATERAL SOIL PRESSURE COEFFICIENT	0.250
MAXIMUM LATERAL SOIL PRESSURE COEFFICIENT	0.500
SOIL - STRUCTURE INTERACTION COEFFICIENT	1.200

L O A D I N G   D A T A  
-----

LOAD FACTOR - MOMENT AND SHEAR	1.300
LOAD FACTOR - THRUST	1.300

M A T E R I A L   P R O P E R T I E S  
-----

STEEL - MINIMUM SPECIFIED YIELD STRESS, KSI	60.000
CONCRETE - SPECIFIED COMPRESSIVE STRENGTH, KSI	3.000

C O N C R E T E   D A T A  
-----

TOP SLAB THICKNESS, IN.	8.000
BOTTOM SLAB THICKNESS, IN.	8.000
SIDE WALL THICKNESS, IN.	8.000
HORIZONTAL HAUNCH DIMENSION, IN.	8.000
VERTICAL HAUNCH DIMENSION, IN.	8.000
CONCRETE COVER OVER STEEL, IN.	
TOP SLAB - OUTSIDE FACE	2.000
SIDE WALL - OUTSIDE FACE	2.000
BOTTOM SLAB - OUTSIDE FACE	2.000
TOP SLAB - INSIDE FACE	1.000
BOTTOM SLAB - INSIDE FACE	1.000
SIDE WALL - INSIDE FACE	1.000

R E I N F O R C I N G   S T E E L   D A T A  
-----

LOCATION*	AREA SQ. IN. PER FT	MIN WIRE SPAC*6 IN.	STIRRUPS REQUIRED?
TOP SLAB - INSIDE FACE	0.256	2.0*	NO
TOP SLAB - OUTSIDE FACE	0.192	2.0*	NO
BOTTOM SLAB - INSIDE FACE	0.276	2.0*	NO
SIDE WALL - OUTSIDE FACE	0.210	2.0*	NO
SIDE WALL - INSIDE FACE	0.192	2.0*	NO

\*PROGRAM ASSIGNED VALUE

THE SIDE WALL OUTSIDE FACE STEEL IS BENT AT THE CULVERT CORNERS AND EXTENDED INTO THE OUTSIDE FACE OF THE TOP AND BOTTOM SLABS. THE THEORETICAL CUT-OFF LENGTHS MEASURED FROM THE BEND POINT ARE 18.5 AND 19.7 IN. RESPECTIVELY. ANCHORAGE LENGTHS MUST BE ADDED.

7.0 FT. SPAN X 6.0 FT. RISE REINFORCED CONCRETE CULVERT

INSTALLATION DATA

HEIGHT OF FILL OVER CULVERT, FT	8.000
UNIT WEIGHT, PCF	120.000
MINIMUM LATERAL SOIL PRESSURE COEFFICIENT	0.250
MAXIMUM LATERAL SOIL PRESSURE COEFFICIENT	0.500
SOIL - STRUCTURE INTERACTION COEFFICIENT	1.200

LOADING DATA

LOAD FACTOR - MOMENT AND SHEAR	1.300
LOAD FACTOR - THRUST	1.300

MATERIAL PROPERTIES

STEEL - MINIMUM SPECIFIED YIELD STRESS, KSI	60.000
CONCRETE - SPECIFIED COMPRESSIVE STRENGTH, KSI	3.000

CONCRETE DATA

TOP SLAB THICKNESS, IN.	8.000
BOTTOM SLAB THICKNESS, IN.	8.000
SIDE WALL THICKNESS, IN.	8.000
HORIZONTAL HAUNCH DIMENSION, IN.	8.000
VERTICAL HAUNCH DIMENSION, IN.	8.000
CONCRETE COVER OVER STEEL, IN.	
TOP SLAB - OUTSIDE FACE	2.000
SIDE WALL - OUTSIDE FACE	2.000
BOTTOM SLAB - OUTSIDE FACE	2.000
TOP SLAB - INSIDE FACE	1.000
BOTTOM SLAB - INSIDE FACE	1.000
SIDE WALL - INSIDE FACE	1.000

REINFORCING STEEL DATA

LOCATION	AREA SQ. IN. PER FT	MIN WIRE SPAC'G IN.	STIRRUPS REQUIRED?
TOP SLAB - INSIDE FACE	0.222	2.0*	NO
TOP SLAB - OUTSIDE FACE	0.192	2.0*	NO
BOTTOM SLAB - INSIDE FACE	0.239	2.0*	NO
SIDE WALL - OUTSIDE FACE	0.192	2.0*	NO
SIDE WALL - INSIDE FACE	0.192	2.0*	NO

\*PROGRAM ASSIGNED VALUE

THE SIDE WALL OUTSIDE FACE STEEL IS BENT AT THE CULVERT CORNERS AND EXTENDED INTO THE OUTSIDE FACE OF THE TOP AND BOTTOM SLABS. THE THEORETICAL CUT-OFF LENGTHS MEASURED FROM THE BEND POINT ARE 15.7 AND 16.6 IN. RESPECTIVELY. ANCHORAGE LENGTHS MUST BE ADDED.

## D.1.6 Summary of Design Example D.1

Compare hand and computer designs for throat face and midlength sections.

Location	Designation*	Required Steel Area, in. <sup>2</sup> /ft					
		Throat		Face		Mid-Length	
		Hand	Computer	Hand	Computer	Hand	Computer
Top slab - inside	AS2	0.256	0.222	0.286	0.247	0.291	0.256
Top slab - outside	AS8	0.192	0.192	0.192	0.192	0.192	0.192
Bottom slab - inside	AS3	0.256	0.239	0.286	0.271	0.291	0.276
Sidewall - outside	AS1	0.192	0.192	0.243	0.248	0.203	0.210
Sidewall - inside	AS4	0.192	0.192	0.192	0.192	0.192	0.192

\* Also refer to [Figure 4-1](#).

**Conclusion:** Since structure is relatively short, it is probably most efficient to use a single design by selecting the most conservative combination of areas from the individual designs.

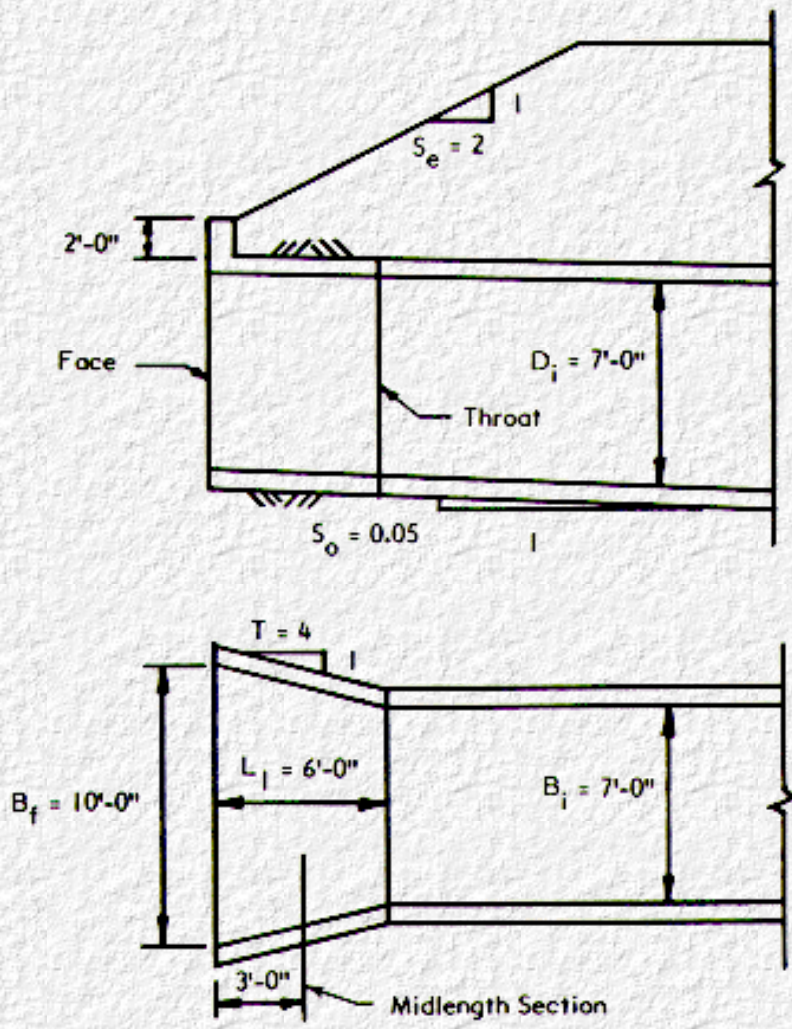
Location	Designation*	Required Area, in. <sup>2</sup> /ft		Governed at
		Hand	Computer	
Top slab - inside	AS2	0.291	0.256	Mid-Length
Top slab - outside	AS8	0.192	0.192	All Sections
Bottom slab - inside	AS3	0.291	0.276	Mid-Length
Sidewall - outside	AS1	0.243	0.248	Face
Sidewall - inside	AS4	0.192	0.192	All Sections

## D.2 Side Tapered Reinforced Concrete Pipe

### D.2.1 Problem:

Determine the reinforcing requirements for a side tapered pipe inlet. For geometry, use the results of Example No. 2-A in Reference 1.

### D.2.2 Design Data



Given Data

- $\gamma_s$  = 120 pcf
- $\gamma_c$  = 150 pcf
- $\gamma_f$  = 62.5 pcf
- $\phi_f$  = 0.9
- $\phi_v$  = 0.9
- $F_{cr}$  = 1.0
- $F_{vp}$  = 1.0
- $F_{rp}$  = 1.0
- $f'_c$  = 5000 psi
- $f_y$  = 65000 psi
- $t_{bo}, t_{bi}$  = 1 in.

Class C Bedding Angle:  
 Circular -  $90^\circ$   
 Elliptical -  $0.5 B'$

Note: Add 2' surcharge for miscellaneous unanticipated loads

RTYPE = 2, smooth WWF  
 $F_e = 1.2$   
 $t = 4.1$   
 $n = 1$



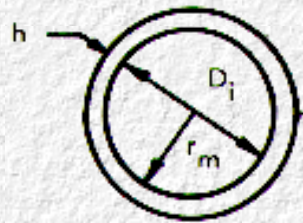
Assume  $h = 8'$  (B wall @ throat)

$H_e$  @ Face =  $2' + 2' = 4'$

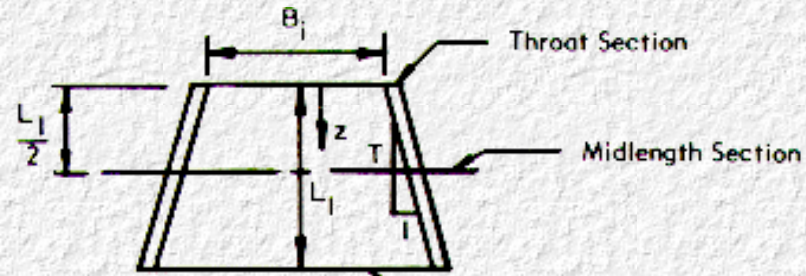
$H_e$  @ Midlength Section =  $4' + L_1/2 (1/S_e + S_o) = 4 + 6/2 (1/2 + 0.05) = 5.65'$  Say 6'-0"

$H_e$  @ Throat =  $4 + 6(1/2 + 0.005) = 7.3'$  Say 7'-6"

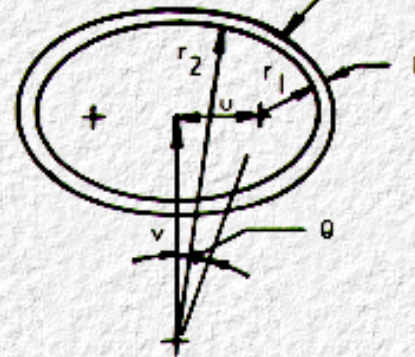
### Culvert Geometry



Throat Section



Face Section



Assume:  $u/v = 0.5 = k_1$ , Typ. for HE pipe  
Taper = 4.0

Throat:  $D_i = 84''$   
 $r_m = 84/2 + 8/2 = 46''$

Face:

$$r_1 = \frac{z/T \left( 1/k_1 - \sqrt{1 + 1/k_1^2} \right) + \frac{D_i}{2}}{1 + 1/k_1 - \sqrt{1 + 1/k_1^2}} = \frac{72/4 \left( 1/0.5 - \sqrt{1 + 1/0.5^2} \right) + \frac{84}{2}}{1 + 1/0.5 - \sqrt{1 + 1/0.5^2}} = 36.44''$$

$$u = \frac{z}{T} + \frac{D_i}{2} - r_1 = \frac{72}{4} + \frac{84}{2} - 36.44 = 23.56''$$

$$v = \frac{u}{k_1} = \frac{23.56}{0.5} = 47.12''$$

$$r_2 = \frac{D_i}{2} + v = \frac{84}{2} + 47.12" = 89.12"$$

See [Figure 1-2](#).

Midlength:

$$r_1 = \frac{36/4 \left( 1/0.5 - \sqrt{1 + 1/0.5^2} \right) + \frac{84}{2}}{1 + 1/0.5 - \sqrt{1 + 1/0.5^2}} = 39.22"$$

$$u = \frac{36}{4} + \frac{84}{2} - 39.22 = 11.78"$$

$$v = \frac{11.78}{0.5} = 23.56"$$

$$r_2 = \frac{84}{2} + 23.56" = 65.56"$$

## D.2.3 Calculate Applied Loads

**Throat** (Circular Section)

Earth Load  $W_e$

$$w_e = F_e \gamma_s B_o (H_e + R_o/6) \quad \text{Eq 2.7b}$$

$$R_o = B_o = D_i + 2h = 100 \text{ in}$$

$$= (1.2)(120)(100/12) \left( 7.5 + \frac{100}{(12)(6)} \right) = 10670 \text{ lb/ft}$$

Dead Load  $W_p$

$$W_p = 3.3 (h)(D_i + h) = (3.3)(8)(84 + 8) = 2430 \text{ lb/ft} \quad \text{Eq. 2.1}$$

Internal Fluid Load  $W_f$

$$W_f = 0.34 D_i^2 = (0.34)(84)^2 = 2400 \text{ lb/ft} \quad \text{Eq. 2.4}$$

### Face (Elliptical Section)

Earth Load  $W_e$

$$B_o = 2(h + r_1 + u) = 2(8 + 36.44 + 23.56) = 136 \text{ in.}$$

$$R_o = 100 \text{ in.}$$

$$W_e = (1.2)(120) \left( \frac{136}{12} \right) \left( 4 + \frac{100}{(12)(6)} \right) = 8790 \text{ lb/ft} \quad \text{Eq. 2.7b}$$

Dead Load  $W_p$

$$W_p = 4.2h \left[ \left( r_2 + \frac{h}{2} \right) \arctan\left(\frac{u}{v}\right) + \left( r_1 + \frac{h}{2} \right) (1.57 - \arctan\left(\frac{u}{v}\right)) \right] \quad \text{Eq. 2.2}$$

$$= 4.2(8) \left[ \left( 89.12 + \frac{8}{2} \right) \arctan(0.5) + \left( 36.44 + \frac{8}{2} \right) (1.57 - \arctan(0.5)) \right]$$

$$= 2950 \text{ lb/ft}$$

Internal Fluid Load  $W_f$

$$W_f = 0.87 \left[ r_2^2 \arctan\left(\frac{u}{v}\right) + r_1^2 (1.57 - \arctan\left(\frac{u}{v}\right)) - uv \right] \quad \text{Eq. 2.5}$$

$$= 0.87 \left[ (89.12^2) \arctan(0.5) + 36.44^2 (1.57 - \arctan(0.5)) - (23.56)(47.12) \right]$$

$$= 3520 \text{ lb/ft}$$

### Midlength

Earth Load  $W_e$

$$B_o = 2(8 + 39.22 + 11.78) = 118 \text{ in.}$$

$$R_o = 100 \text{ in.}$$

$$W_e = (1.2)(120)(118/12) \left( 6 + \frac{100}{(12)(6)} \right) = 104601 \text{ b/ft} \quad \text{Eq.2.7b}$$

Dead Load  $W_p$

$$\begin{aligned} W_p &= (4.2)(8) [(65.56 + 8/2) \arctan (0.5) + (39.22 + 8/2)(1.57 - \arctan (0.5))] \\ &= 2690 \text{ lb/ft} \end{aligned} \quad \text{Eq. 2.2}$$

Internal Fluid Load  $W_f$

$$\begin{aligned} W_f &= 0.87 [(65.56^2) \arctan (0.5) + 39.22^2 (1.57 - \arctan (0.5)) - (11.78)(23.56)] \\ &= 2970 \text{ lb/ft} \end{aligned} \quad \text{Eq. 2.5}$$

## D.2.4 Calculate Moments, Thrusts & Shears @ Design Sections

Using the following equations, calculate the moments, thrusts, and shears at design locations 1 through 5 shown on [Figure 4-4](#).

$$M = (C_{m1} W_e + C_{m2} W_p + C_{m3} W_f) B/2 \quad \text{Eq. 3.33}$$

$$N = C_{n1} W_e + C_{n2} W_p + C_{n3} W_f \quad \text{Eq. 3.34}$$

$$V = C_{v1} W_e + C_{v2} W_p + C_{v3} W_f \quad \text{Eq. 3.35}$$

$$M_u = L_f M \quad \text{Eq.4.1}$$

$$N_u = L_f N \quad \text{Eq. 4.2}$$

$$V_u = L_f V \quad \text{Eq. 4.3}$$

### Throat - Design Locations ([Figure 4-4](#))

#### Design Location

- |   |                                                                                                                                               |                       |        |
|---|-----------------------------------------------------------------------------------------------------------------------------------------------|-----------------------|--------|
| 1 | I @ invert                                                                                                                                    | $\theta_1 = 0^\circ$  |        |
| 2 | near invert where $M/Vd = 3.0$ ( <a href="#">Figure 4-5</a> )<br>$r = 46''$<br>$f_v d \simeq f_v (0.96 h - t_b) = 0.9 [(0.96)(8) - 1] = 6.01$ | $\theta_2 = 19^\circ$ | Eq.4.6 |
| 3 | maximum negative moment based on earth load only ( <a href="#">Figure 3-1</a> )                                                               | $\theta_3 = 75^\circ$ |        |

4 near crown where  $M/Vd = 3.0$  ([Figure 4-5](#))

$$\theta_4 = 149^\circ$$

5 crown

$$\theta_5 = 180^\circ$$

### Throat

Design Moments					
Design Location	$C_{m1}$ Fig. 3-1	$C_{m2}$ Fig. 3-5	$C_{m3}$ Fig. 3-6	M (in.-lb/ft)	$M_u$ (in.-lb/ft)
1 = 0°	0.13	0.20	0.12	99410	129230
2 = 19°	0.09	0.10	0.08	64180	83440
3 = 75°	-0.09	-0.10	-0.09	-65290	-84870
4 = 149°	0.04	0.05	0.04	29640	38530
5 = 180°	0.07	0.08	0.07	51030	66340

Design Thrusts					
Design Location	$C_{n1}$ Fig. 3-1	$C_{n2}$ Fig. 3-5	$C_{n3}$ Fig. 3-6	N (lb/ft)	$N_u$ (lb/ft)
1 = 0°	0.32	0.12	-0.28	3030	3940
2 = 19°	0.36	0.22	-0.24	3800	4940
3 = 75°	0.53	0.30	-0.07	6220	8080
4 = 149°	0.41	-0.02	-0.19	3870	5030
5 = 180°	0.38	-0.09	-0.22	3310	4300

Design Shears					
Design Location	$C_{v1}$ Fig. 3-1	$C_{v2}$ Fig. 3-5	$C_{v3}$ Fig. 3-6	V (lb/ft)	$V_u$ (lb/ft)
1 = 0°	-- Not Applicable --				
2 = 19°	0.21	0.40	0.20	3690	4800
3 = 75°	-- Not Applicable --				
4 = 149°	-0.10	-0.11	-0.11	-1600	-2080
5 = 180°	-- Not Applicable --				

### Face - Design Locations ([Figure 4-4](#))

#### Flexure Design Location

1 @ invert

$$\theta_1 = 0^\circ$$

3 maximum negative moment based on earth load only ([Figure 3-3](#))

$$\theta_3 = 80^\circ$$

5 crown

$\theta_5 = 180^\circ$

Shear Design Location

2 and 4 where  $M/\phi Vd = 3.0$

From Eqs. 3.33 and 3.35, using earth load only

$$\frac{M}{\phi Vd} = \frac{C_{m1} W_e B'}{2C_{v1} W_e d \phi_v} = 3$$

$$B'/D' = \frac{120+8}{84+8} = 1.39$$

$$\frac{C_{m1}}{C_{v1}} = \frac{(3)(2)(d)(\phi)}{B'} = \frac{(3)(2)(6.68)(0.9)}{120+8} = 0.282$$

Critical Shear Location					
Location	q	C <sub>m1</sub> Fig. 3-3	C <sub>v1</sub> Fig. 3-3	C <sub>m1</sub> /C <sub>v1</sub>	
2	10°	0.13	0.30	0.433	M/Vd=3 @ 13°
	15°	0.08	0.37	0.216	
	20°	0.03	0.40	0.075	
4	160°	0.05	-0.20	-0.25	M/Vd=3 @ 161°
	165°	0.07	-0.15	-0.467	

Design Moments					
Design Location	C <sub>m1</sub> Fig. 3-3	C <sub>m2</sub> Fig. 3-5	C <sub>m3</sub> Fig. 3-6	M (in.-lb/ft)	M <sub>u</sub> (in.-lb/ft)
1 = 0°	0.17	0.20	0.12	160430	208560
2 = 13°	0.10	0.13	0.10	103330	134330
3 = 80°	-0.12	-0.10	-0.08	-104410	-135730
4 = 161°	0.05	0.07	0.06	54860	71320
5 = 180°	0.10	0.08	0.07	87130	113270

Design Thrusts					
Design Location	C <sub>n1</sub> Fig. 3-3	C <sub>n2</sub> Fig. 3-5	C <sub>n3</sub> Fig. 3-6	N (lb/ft)	N <sub>u</sub> (lb/ft)

1 = 0°	0.27	0.12	-0.28	1740	2260
2 = 13°	0.32	0.18	-0.25	2460	3200
3 = 80°	0.55	0.29	-0.07	5440	7080
4 = 161°	0.31	-0.05	-0.21	1840	2390
5 = 180°	0.29	-0.08	-0.22	1540	2000

Design Shears					
Design Location	C <sub>v1</sub> Fig. 3-1	C <sub>v2</sub> Fig. 3-5	C <sub>v3</sub> Fig. 3-6	V (in.-lb/ft)	V <sub>u</sub> (in.-lb/ft)
1 = 0°	-- Not Applicable --				
2 = 13°	0.34	0.43	0.15	4790	6220
3 = 80°	-- Not Applicable --				
4 = 161°	-0.18	-0.08	-0.08	-2100	-2730
5 = 180°	-- Not Applicable --				

### Midlength - Design Locations (Figure 4-4)

Flexure B'/D' = 110/92 = 1.20

- |   |                                                             |                        |
|---|-------------------------------------------------------------|------------------------|
| 1 | @ invert                                                    | $\theta_1 = 0^\circ$   |
| 3 | maximum negative moment based on earth load only (Fig. 3-3) | $\theta_3 = 78^\circ$  |
| 5 | crown                                                       | $\theta_5 = 180^\circ$ |
- 2 and 4: where M/fVd = 3.0

Shear 
$$\frac{C_{m1}}{C_{v1}} = \frac{(3)(2)(d)(\phi)}{B'} = \frac{(3)(2)(6.68)(0.9)}{110} = 0.382$$

Critical Shear Location					
Location	q	C <sub>m1</sub> Fig. 3-3	C <sub>v1</sub> Fig. 3-3	C <sub>m1</sub> /C <sub>v1</sub>	
2	10°	0.13	0.26	0.500	M/φVd=3 θ <sub>2</sub> =14°
	15°	0.10	0.35	0.286	
4	160°	0.05	-0.17	-0.294	M/φVd=3 θ <sub>4</sub> =161°
	165°	0.07	-0.13	-0.538	

### Midlength (Continued)

Design Moments					
----------------	--	--	--	--	--

Design Location	$C_{m1}$ Fig. 3-3	$C_{m2}$ Fig. 3-5	$C_{m3}$ Fig. 3-6	M (in.-lb/ft)	$M_u$ (in.-lb/ft)
1 = 0°	0.16	0.21	0.12	142720	185540
2 = 14°	0.10	0.13	0.10	93100	121030
3 = 78°	-0.12	-0.10	-0.08	-96900	-125970
4 = 161°	0.06	0.07	0.06	54680	71080
5 = 180°	0.09	0.08	0.07	75050	97560

Design Thrusts					
Design Location	$C_{n1}$ Fig. 3-3	$C_{n2}$ Fig. 3-5	$C_{n3}$ Fig. 3-6	N (lb/ft)	$N_u$ (lb/ft)
1 = 0°	0.28	0.12	-0.28	2420	3150
2 = 14°	0.33	0.19	-0.25	3220	4190
3 = 78°	0.56	0.30	-0.07	6460	8390
4 = 161°	0.33	-0.06	-0.21	2670	3470
5 = 180°	0.31	-0.08	-0.22	2370	3090

Design Shears					
Design Location	$C_{v1}$ Fig. 3-1	$C_{v2}$ Fig. 3-5	$C_{v3}$ Fig. 3-6	V (in.-lb/ft)	$V_u$ (in.-lb/ft)
1 = 0°	-- Not Applicable --				
2 = 14°	0.30	0.43	0.15	4740	6160
3 = 78°	-- Not Applicable --				
4 = 161°	-0.14	-0.08	-0.08	-1920	-2490
5 = 180°	-- Not Applicable --				

## D.2.5 Reinforcing Design

### Flexure

$$A_s = \left\{ g\phi_r d - N_u - \sqrt{g[g(\phi_r d)^2 - N_u(2\phi_r d - h) - 2M_u]} \right\} \frac{1}{f_y} \quad \text{Eq. 4.4}$$

$$g - 0.085 b f'_c = (0.085)(12)(5000) = 51000 \text{ lb/in.} \quad \text{Eq. 4.5}$$

$$\phi_r d = (6.68)(0.9) = 6.01$$



$$A_s = \frac{(51000)(0.601) - N_u - \sqrt{51000[(51000)(6.01)^2 - N_u((2)(6.01) - 8) - 2M_u]}}{65000}$$

$$= 4.717 - \frac{N_u}{65000} - 0.003474\sqrt{1843351.3 - 4.024N_u - 2M_u}$$

### Minimum Steel

#### Inside

$$A_{smin.} = \frac{(B_i + h)^2}{65000} \quad \text{Eq. 4.8}$$

$$\text{Throat: } A_{smin.} = \frac{(84 + 8)^2}{65000} = 0.130 \text{ in}^2/\text{ft} \quad (\text{inside})$$

$$\text{Face: } A_{smin.} = \frac{(120 + 8)^2}{65000} = 0.252 \text{ in}^2/\text{ft} \quad (\text{inside})$$

$$\text{Midlength: } A_{smin.} = \frac{(102 + 8)^2}{65000} = 0.186 \text{ in}^2/\text{ft} \quad (\text{inside})$$

#### Outside

$$A_{smin.} = 0.75 \frac{(B_i + h)^2}{65000} \quad \text{Eq. 4.9}$$

$$\text{Throat: } A_{smin.} = (0.75)(0.130) = 0.098 \text{ in}^2/\text{ft} \quad (\text{outside})$$

$$\text{Face: } A_{smin.} = (0.75)(0.252) = 0.189 \text{ in}^2/\text{ft} \quad (\text{outside})$$

$$\text{Midlength: } A_{smin.} = (0.75)(0.186) = 0.140 \text{ in}^2/\text{ft} \quad (\text{outside})$$

### Maximum Steel

$$A_{smax.} = \left( \frac{(5.5 \times 10^4) g' \phi_f d}{(87000 + f_y)} - 0.75 N_u \right) \frac{1}{f_y} \quad \text{Eq. 4.14}$$

$$g' = \left[ 0.85 - 0.05 \left( \frac{f'_c - 4000}{1000} \right) \right] b f'_c \quad \text{Eq. 4.15}$$

$$g' = \left[ 0.85 - 0.05 \left( \frac{5000 - 4000}{1000} \right) \right] (12)(5000) = 48000$$

$$(0.65)(12)(5000) < 48000 < (0.85)(12)(5000) \quad \text{o.k.}$$

$$A_{smax.} = \left( \frac{(5.5 \times 10^4)(48000)(0.9)(6.68)}{87000 + 65000} - 0.75 N_u \right) \frac{1}{65000} = 1.606 - \frac{N_u}{86670}$$

Flexural Reinforcement						
Section	Design Location	$M_u$ (in.-lb/ft)	$N_u$ (lb/ft)	$A_s$ (in. <sup>2</sup> /ft)	$A_{smin.}$ (in. <sup>2</sup> /ft)	$A_{smax.}$ (in. <sup>2</sup> /ft)
Throat	1	129230	3940	0.304	0.130	1.561
	3	84870	8080	0.142	0.098	1.513
	5	66340	4300	0.130	0.130	1.556
Face	1	208560	2260	0.546	0.252	1.580
	3	135730	7080	0.292	0.189	1.524
	5	113270	2000	0.280	0.252	1.583
Mid- Length	1	185540	3150	0.471	0.186	1.570
	3	125970	8390	0.252	0.140	1.509
	5	97560	3090	0.226	0.186	1.570

### 0.01 Inch Crack Width Control

$$F_{cr} = \frac{B_i}{(30000)(\phi_f)(A_s)} \left[ \frac{M + N(d - h/2)}{j_i} - C_1 b h^2 \sqrt{f'_c} \right] \quad \text{Eq. 4.16}$$

$$e = \frac{M}{N} + d - \frac{h}{2} \quad \text{Eq. 4.17}$$

$$j = 0.74 + 0.1 e/d \leq 0.9 \quad \text{Eq. 4.18}$$

$$i = \frac{1}{1 - \frac{j d}{e}} \quad \text{Eq. 4.19}$$

B<sub>1</sub>  
C<sub>1</sub> For Type 2 reinforcing - smooth WWF

Crack Control Reinforcement								
Section	Design Location	M (in.-lb/ft)	N (lb/ft)	e (in.)	j	i	A <sub>sflex</sub> (in. <sup>2</sup> /ft)	F <sub>cr</sub>
Throat	1	99410	3030	35.49	0.90	1.20	0.304	0.324
	3	65290	6220	13.18	0.90	1.84	0.142	< 0
	5	51030	3310	18.10	0.90	1.50	0.130	< 0
Face	1	160430	1740	94.88	0.90	1.07	0.546	0.918
	3	104410	5440	21.87	0.90	1.38	0.292	0.274
	5	87130	1540	59.26	0.90	1.11	0.280	0.191
Mid- Length	1	142720	2420	61.66	0.90	1.11	0.471	0.803
	3	96900	6460	17.68	0.90	1.52	0.252	0.050
	5	75050	2370	34.35	0.90	1.21	0.226	< 0

In all cases the crack control factor (F<sub>cr</sub>) is less than 1.0; therefore, the flexural reinforcement will govern the design.

**Shear** (Method 2 for Pipe)

$$\phi_c V_b = (1.1 + 63\rho) \sqrt{f'_c} \phi_v b d \left( \frac{F_d F_{wp}}{F_c F_N} \right) \quad \text{Eq. 4.24}$$

$$r = \frac{A_s}{\phi_v b d} \leq 0.02 = \frac{A_s}{(0.9)(12)(6.68)} = \frac{A_s}{72.14} \quad \text{Eq. 4.25}$$

$$F_c = 1 + \frac{d}{2r_m} \quad \text{@ design locartions 2 \& 4 moment produces tension on inside of pipe} \quad \text{Eq. 4.27b}$$

$$\text{Throat: } F_c = 1 + \frac{6.68}{(42+2)(2)} = 1.073$$

r<sub>m</sub> depends upon whether the design section is in the r<sub>1</sub> or r<sub>2</sub> segment. arctan u/v = 26.6° > 14° & (180° - 160°); therefore, r<sub>m</sub> is located in segment r<sub>2</sub>

**Face:**

$$F_c = 1 + \frac{6.68}{(2)(89.12 + 4)} = 1.036$$

**Midlength:**

$$F_c = 1 + \frac{6.68}{(2)(65.56 + 4)} = 1.048$$

$$F_N = 1.0 - 0.12 \frac{N_u}{V_u} \geq 0.75 \quad \text{Eq. 4.28}$$

Shear Strength							
Section	Design Location	$N_u$ (lb/ft)	$V_u$ (lb/ft)	$A_s$ (in.2/ft)	$r$	FN	$fV_b$ (lb/ft)
Throat	2	4940	4800	0.304	0.0042	0.877	7690
	4	5030	2080	0.130	0.0018	0.750	8000
Face	2	3200	6220	0.546	0.0076	0.938	8620
	4	2390	2730	0.280	0.0039	0.895	7700
Mid- Length	2	4190	6160	0.471	0.0065	0.918	8320
	4	3470	2490	0.226	0.0031	0.833	7870

$\phi_v V_b > V_u$ ; therefore, shear does not govern design.

RCP Pipe Design Example (Cont.)

## 120.0 INCH SPAN X 84.0 INCH RISE REINFORCED ELLIPTICAL CONCRETE PIPE

\*\*\*\*\*

## I N S T A L L A T I O N   D A T A

HEIGHT OF FILL ABOVE CROWN, FT.	4.00
UNIT WEIGHT, PCF	120.00
SOIL-STRUCTURE INTERACTION COEFFICIENT	1.26
BEDDING ANGLE, DEGREES	88.00
LOAD ANGLE, DEGREES	272.00

## M A T E R I A L   P R O P E R T I E S

STEEL - MINIMUM SPECIFIED YIELD STRESS, PSI	65000.
REINFORCING TYPE	2.
NO. OF LAYERS OF REINFORCING	1.
CONCRETE - SPECIFIED COMPRESSIVE STRESS, PSI	5000.

## L O A D I N G   D A T A

LOAD FACTOR - MOMENT AND SHEAR	1.30
LOAD FACTOR - THRUST	1.30
STRENGTH REDUCTION FACTOR-FLEXURE	0.90
STRENGTH REDUCTION FACTOR-DIAGONAL TENSION	0.90
CRACK WIDTH REDUCTION FACTOR	1.00

## P I P E   D A T A

RADIUS 1, IN.	36.44
RADIUS 2, IN.	89.12
WALL THICKNESS, IN.	8.00
INSIDE CONCRETE COVER OVER STEEL, IN.	1.00
OUTSIDE CONCRETE COVER OVER STEEL, IN.	1.00

## F L U I D   D A T A

FLUID DENSITY, PCF.	62.50
DEPTH OF FLUID, INCHES ABOVE INVERT	84.00

## R E I N F O R C I N G   S T E E L   D A T A

INVERT- INSIDE REINFORCING, SQ.IN./FT.	0.558
SPRINGLINE- OUTSIDE REINFORCING, SQ.IN./FT.	0.291
CROWN- INSIDE REINFORCING, SQ.IN./FT.	0.257

102.0INCH SPAN X 84.0INCH RISE REINFORCED ELLIPTICAL CONCRETE PIPE

\*\*\*\*\*

INSTALLATION DATA

HEIGHT OF FILL ABOVE CROWN, FT.	6.00
UNIT WEIGHT, PCF	120.00
SOIL-STRUCTURE INTERACTION COEFFICIENT	1.20
BEDDING ANGLE, DEGREES	80.00
LOAD ANGLE, DEGREES	280.00

MATERIAL PROPERTIES

STEEL - MINIMUM SPECIFIED YIELD STRESS, PSI	65000.
REINFORCING TYPE	2.
NO. OF LAYERS OF REINFORCING	1.
CONCRETE - SPECIFIED COMPRESSIVE STRESS, PSI	5000.

LOADING DATA

LOAD FACTOR - MOMENT AND SHEAR	1.30
LOAD FACTOR - THRUST	1.30
STRENGTH REDUCTION FACTOR-FLEXURE	0.90
STRENGTH REDUCTION FACTOR-DIAGONAL TENSION	0.90
CRACK WIDTH REDUCTION FACTOR	1.00

PIPE DATA

RADIUS 1, IN.	39.22
RADIUS 2, IN.	65.56
WALL THICKNESS, IN.	8.00
INSIDE CONCRETE COVER OVER STEEL, IN.	1.00
OUTSIDE CONCRETE COVER OVER STEEL, IN.	1.00

FLUID DATA

FLUID DENSITY, PCF.	62.50
DEPTH OF FLUID, INCHES ABOVE INVERT	84.00

REINFORCING STEEL DATA

INVERT- INSIDE REINFORCING, SQ.IN./FT.	0.479
SPRINGLINE- OUTSIDE REINFORCING, SQ.IN./FT.	0.223
CROWN- INSIDE REINFORCING, SQ.IN./FT.	0.209

84.3 INCH DIAMETER REINFORCED CONCRETE CIRCULAR PIPE

\*\*\*\*\*  
 I N S T A L L A T I O N   D A T A

HEIGHT OF FILL ABOVE CROWN, FT.	7.50
UNIT WEIGHT, PCF	120.00
SOIL-STRUCTURE INTERACTION COEFFICIENT	1.20
BEDDING ANGLE, DEGREES	90.00
LOAD ANGLE, DEGREES	270.00

M A T E R I A L   P R O P E R T I E S

STEEL - MINIMUM SPECIFIED YIELD STRESS, PSI	65000.
REINFORCING TYPE	2.
NO. OF LAYERS OF REINFORCING	1.
CONCRETE - SPECIFIED COMPRESSIVE STRESS, PSI	5000.

L O A D I N G   D A T A

LOAD FACTOR - MOMENT AND SHEAR	1.30
LOAD FACTOR - THRUST	1.30
STRENGTH REDUCTION FACTOR-FLEXURE	0.90
STRENGTH REDUCTION FACTOR-DIAGONAL TENSION	0.90
CRACK WIDTH REDUCTION FACTOR	1.00

P I P E   D A T A

WALL THICKNESS, IN.	8.00
INSIDE CONCRETE COVER OVER STEEL, IN.	1.00
OUTSIDE CONCRETE COVER OVER STEEL, IN.	1.00

F L U I D   D A T A

FLUID DENSITY, PCF.	62.50
DEPTH OF FLUID, INCHES ABOVE INVERT	84.00

R E I N F O R C I N G   S T E E L   D A T A

INVERT- INSIDE REINFORCING, SQ. IN./FT.	0.311
SPRINGLINE- OUTSIDE REINFORCING, SQ. IN./FT.	0.139
CROWN- INSIDE REINFORCING, SQ. IN./FT.	0.130

## D.2.6 Summary - Design Example D.2

Compare hand and computer designs for face, midlength & throat.

Required Steel Areas, in. <sup>2</sup> /ft						
	Face		Midlength		Throat	
	Hand	Computer	Hand	Computer	Hand	Computer
Invert - inside	0.546	0.558	0.471	0.479	0.304	0.311
Springline - outside	0.292	0.291	0.252	0.223	0.142	0.139
Crown - inside	0.280	0.257	0.226	0.209	0.130	0.130

**Conclusion:** Design of the face section governs the design of the entire section.

---

## D.3 Side Tapered Corrugated Metal Inlet Design Example

---

### D.3.1 Problem:

Determine the gage and corrugation required for a side tapered corrugated steel inlet meeting the geometry requirements of Example No. 2-B in Reference 1.

---

### D.3.2 Design Data:

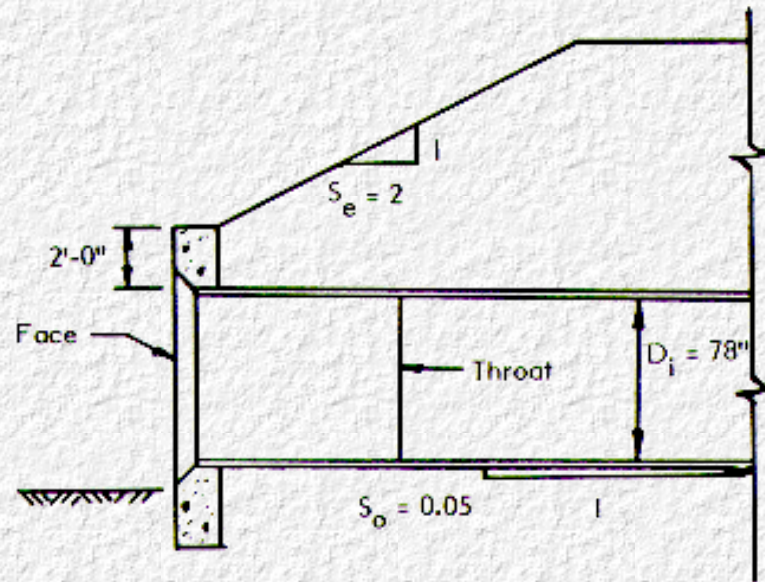


### Steel Corrugated Pipe:

$$f_u = 45,000 \text{ psi}$$

$$f_y = 33,000 \text{ psi}$$

$$E = 29 \times 10^6 \text{ psi}$$



Fill Heights:

Face:

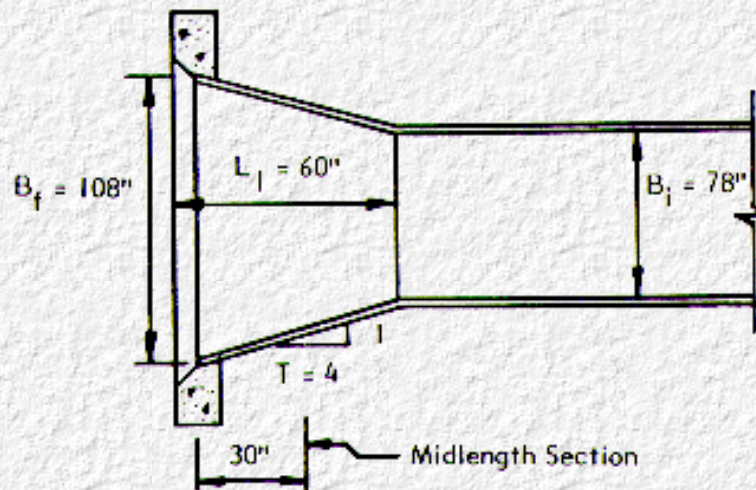
$$H_e = 2' + 2' = 4.0'$$

Midlength:

$$H_e = 4 + \frac{30}{12} \left( \frac{1}{S_e} + S_o \right)$$

$$= 4 + \frac{30}{12} \left( \frac{1}{2} + 0.05 \right)$$

$$= 5.38' \quad \text{Say } 5.5'$$



Throat:

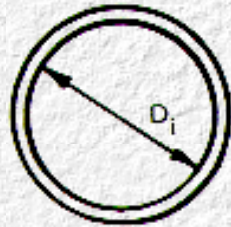
$$H_e = 4 + \frac{60}{12} \left( \frac{1}{S_e} + S_o \right)$$

$$= 4 + 5 \left( \frac{1}{2} + 0.05 \right)$$

$$= 6.75' \quad \text{Say } 7.0'$$

**Note:** Add 2'-0" surcharge for miscellaneous unanticipated loads.

### Culvert Geometry



Throat Section

Assume  $u/v = 0.5 = k_1$

$$D_i = 78''$$

$$L_l = 60''$$

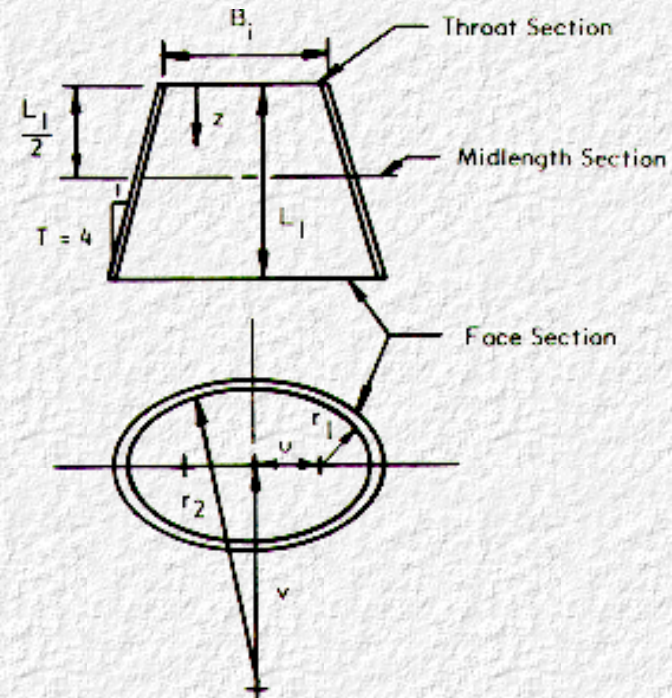
$$r_1(z) = \frac{z/T \left( 1/k_1 - \sqrt{1 + 1/k_1^2} \right) + \frac{D_i}{2}}{1 + 1/k_1 - \sqrt{1 + 1/k_1^2}}$$

$$= \frac{z/4 \left( 1/0.5 - \sqrt{1 + 1/0.5^2} \right) + \frac{78}{2}}{1 + 1/0.5 - \sqrt{1 + 1/0.5^2}} = 39.0 - 0.0773 z$$

$$u(z) = \frac{z}{T} + \frac{D_i}{2} - r_1(z) = 0.3273 z$$

$$v(z) = \frac{u(z)}{k_1} = 0.6546 z$$

$$r_2(z) = \frac{D_i}{2} + v(z) = 39 + 0.6546 z$$



$$\text{Span} = 2(r_1 + u)$$

Location	z	r <sub>1</sub>	u	v	r <sub>2</sub>	Span
Face	60	34.36	19.64	39.28	78.28	108
Midlength	30	36.68	9.82	19.64	58.64	93
Throat	0	39	0	0	39	78

### D.3.3 Calculate Applied Loads:

Earth Load -  $W_e = F_e \gamma_s B_o (H_e + R_o/6)$

- Neglect corrugation depth; therefore,  $B_o = B_i$ ,  $R_o = R_i$
- $F_e = 1.0$  (flexible culvert)

$$W_e = 1.0 (120) B_o (H_e + 78/12.6) = 120 \cdot \text{span} (H_e + 1.08)$$

Location	Span (ft)	H <sub>e</sub> (ft)	W <sub>e</sub> (lb/ft)
Face	9.0	4.0	5486
Midlength	7.75	5.5	6120
Throat	6.5	7.0	6302

### D.3.4 Metal Ring Design

Use service load design method: AASHTO - Interim Specifications Bridges (1981), [Section 1.9.2](#).

Thrust

$$T = \frac{W_e}{2}$$

Required cross-sectional wall area:

$$A = T \frac{(SF)}{f_y} = \frac{W_e (SF)}{sf_y}$$

$$Sf = 2$$

$$f_y = 33000 \text{ psi}$$

Required sectional wall area:

Location	W <sub>e</sub> (lb/ft)	T (lb/ft)	Area (in. <sup>2</sup> /ft)

Face	5486	2743	0.166
Midlength	6120	3060	0.186
Throat	6302	3151	0.191

### Flexibility:

$$(FF) = \frac{S^2}{E I} \quad 1 = \frac{S^2}{E(FF)}$$

E = 29 x 10<sup>6</sup> psi

S = span - use 2 times r<sub>2</sub> for non-circular shape.

Assume a 1" depth corrugation; therefore, (FF) = 0.033 (AASHTO, [Section 1.9.4](#)).

Location	2 x r <sub>2</sub> (in.)	I <sub>req</sub> (in <sup>4</sup> /ft)
Face	156.6	25.6 x 10 <sup>-3</sup>
Midlength	117.3	14.4 x 10 <sup>-3</sup>
Throat	78	6.36 x 10 <sup>-3</sup>

Select a corrugation for steel conduit that meet the required area and moment of inertia calculated.

Choose a 3 x 1 corrugation with the following properties:

Location	S (in)	Corr.	t (in. <sup>2</sup> /ft)	A (in <sup>2</sup> /ft)	I	r (in.)
Face	108	3x 1	0.168	2.46	25.09x10 <sup>-3</sup> *	0.3490
Midlength	93	3x 1	0.109	1.56	15.46x10 <sup>-3</sup>	0.3488
Throat	78	3x 1	0.064	0.89	8.66x10 <sup>-3</sup>	0.3410

\* 2% less than required for handling, but since the face will be stiffened by the head wall, this is acceptable.

### Wall Buckling

If the computed buckling stress divided by the required safety factor is less than the service load steel stress, f<sub>a</sub>, the required wall area must be recalculated using f<sub>cr</sub>/SF in lieu of f<sub>a</sub>.

If  $S < \frac{r}{k} \sqrt{\frac{24E}{f_u}}$  Then  $f_{cr} = f_u - \frac{f_u^2}{48E} \left( \frac{kS}{r} \right)^2$

If  $S > \frac{r}{k} \sqrt{\frac{24E}{f_u}}$  Then  $f_{cr} = \frac{12E}{\left(\frac{kS}{r}\right)^2}$

$r$  = radius of gyration

$k$  = soil stiffness factor

For granular backfill with 90% min. standard density, use  $k = 0.22$ .

For all sections,  $r \approx 0.34$ .

$$\frac{r}{k} \sqrt{\frac{24E}{f_u}} \approx \frac{0.34}{0.22} \sqrt{\frac{(24)29 \times 10^6}{45000}} = 192 \text{ in.}$$

Use  $2 \times r_2$  in place of span in calculating buckling capacity. Since  $2 \times r_2$  is less than 192 in. in all cases, use:

$$\begin{aligned} \frac{f_{cr}}{SF} &= \left[ f_u - \frac{f_u^2}{48E} \left( \frac{kS}{r} \right)^2 \right] \frac{1}{2} \\ &= 22500 - \frac{45000^2 (0.22)^2}{(2)48(29 \times 10^6)} \left( \frac{2r_2}{r} \right)^2 \\ &= 22500 - 0.0352 \left( \frac{2r_2}{r} \right)^2 \end{aligned}$$

Location	$(2r_2)/r$	$f_{cr}/SF$ (psi)	$f_a=T/A$ (psi)
Face	460.6	15032	1115
Midlength	345	18310	1962
Throat	228.3	20665	3540

Since  $f_{cr}/SF > f_a$  buckling does not govern.

### Seam Strength

$$(SS) = T (SF)$$

$$SF = 3$$

Location	T (lb/ft)	SS (k/ft)	t	Double rivets (k/ft)
Face	2743	8.23	0.168	70.7
Midlength	3060	9.18	0.109	53.0
Throat	3151	9.45	0.064	28.7

### Summary

Use a 3 x 1 corrugated steel pipe with the following properties:

Location	S (in)	Corr.	t (in)
Face	108	3 x 1	0.168
Midlength	93	3 x 1	0.109
Throat	78	3 x 1	0.064

Since this is a relatively short structure, use a 3 x 1 corrugation with  $t = 0.168$  in. throughout.

---

[Go to Appendix E](#)



# Appendix E : FHWA-IP-83-6

## Improved Inlet Example Designs

[Go to Appendix F](#)

---

The following tables present designs for various types of improved inlets and appurtenant structures based on the design methods in this manual, and the example standard plans presented in [Appendix G](#).

[Tables E-1 through E-5](#) present designs for reinforced concrete box section inlets. The following geometric and design parameters are assumed for these designs:

- Slope of earth embankment above box,  $S_e = 2:1$ .
- Fall slope,  $S_f = 2:1$ , where applicable.
- Culvert slope,  $S = 0.03$ , except for [Tables E-4 and E-5](#) where  $S = 0.06$ .
- Sidewall Taper,  $T = 4:1$ , except for one cell slope tapered sections ([Tables E-3 and E-4](#)) where  $T = 6:1$ .
- All box sections have  $45^\circ$  haunches with dimensions equal to the top slab thickness, i.e.  $HH = HV = TT$
- Reinforcing strength,  $f_y = 60,000$  psi.
- Concrete strength,  $f_c' = 3,000$  psi.
- Cover over reinforcing  $t_b = 2$  in. clear, except for bottom reinforcing of bottom slab where  $t_b = 3$  in. clear.
- The heights of fill at the face and throat section are shown for each design. In addition to the fill shown, a two-foot surcharge load is included for each design. All soil is assumed to have a unit weight of 120 pcf. A soil structure interaction coefficient of 1.2 is applied to the earth load.
- Two conditions of lateral soil pressure were considered, equal to 0.25 and 0.50 times the vertical soil pressure. The worst case at each design section was chosen for design.

[Table E-6](#) presents designs for side tapered reinforced concrete pipe inlets. The following geometry and design parameters are assumed for these designs.

- Slope of earth embankment above pipe,  $S_e = 2:1$ .
- Culvert slope,  $S = 0.03$ .
- Sidewall taper,  $T = 4:1$ .
- Reinforcing strength,  $f_y = 65,000$  psi.
- Concrete strength,  $f_c' = 5,000$  psi.
- Cover over reinforcing,  $t_b = 1$  in. clear, inside and outside.
- The heights of fill at the face ( $H_f$ ) and throat ( $H_t$ ) are shown for each design. In addition to the fill shown, a two foot surcharge load is included in each design. All soil is assumed to have a unit weight of 120 pcf. A soil structure interaction factor of 1.2 is applied to all earth load.

[Table E-7](#) presents designs for side tapered corrugated metal pipe inlets. The slopes, tapers, heights of fill and soil unit weight are all the same as for the corresponding reinforced concrete pipe inlets.

[Figure E-1](#), [Figure E-2](#), and [Figure E-3](#) present algorithms for sizing headwalls for cast-in-place concrete, precast concrete and corrugated metal inlets. Following are [Tables E-8](#), [E-9](#), [E-10](#) and [E-11](#) presenting

headwall designs for one cell and two cell box, concrete pipe and corrugated metal pipe, respectively.

[Figure E-4](#), [Figure E-5](#), and [Figure E-6](#) show typical designs of skewed headwalls for a concrete box section, precast concrete pipe and a corrugated metal pipe, respectively.

[Table E-12](#) shows apron designs for several sizes of culvert opening, and [Table E-13](#) shows designs for two sizes of square to circular transition sections.

Table E-1							
Reinforcing Requirements - One Cell Side Tapered Box Inlets							
Span x Rise at Throat	5x5	6x6	7x7	8x8	9x9	10x10	12x12
Dimension*	Inlet Geometry (ft-in.)						
B <sub>i</sub> (Throat)	5'-0"	6'-0"	7'-0"	8'-0"	9'-0"	10'-0"	12'-0"
D <sub>i</sub>	5-0	6-0	7-0	8-0	9-0	10-0	12-0
B <sub>f</sub>	7-6	9-0	10-6	12-0	13-6	15-0	18-0
L <sub>1</sub>	5-0	6-0	7-0	8-0	9-0	10-0	12-0
T <sub>T</sub>	0-8	0-8	0-8	0-8	0-9	0-10	1-0
T <sub>S</sub>	0-8	0-8	0-8	0-8	0-9	0-10	1-0
T <sub>B</sub>	0-9	0-9	0-9	0-9	0-10	0-11	1-1
H <sub>f</sub>	1-0	1-0	1-0	1-0	1-2	1-3	1-6
H <sub>t</sub>	3-8	4-2	4-9	5-3	5-11	6-7	7-10
Bar Designation	Required Reinforcement Area (in. <sup>2</sup> /ft)						
1A	0.20	0.20	0.20	0.27	0.31	0.36	0.46
1B	0.20	0.20	0.20	0.27	0.31	0.36	0.46
2A	0.20	0.20	0.27	0.38(12)**	0.45(4)**	0.52(4)**	0.77(4)**
3A	0.20	0.21	0.31	0.43(12)**	0.51(4)**	0.62(4)**	1.04(4)**
4A	0.20	0.20	0.20	0.20	0.22	0.24	0.29
4B	0.20	0.20	0.20	0.20	0.22	0.24	0.29
8A	0.20	0.20	0.20	0.20	0.22	0.24	0.29
Long. 1	0.13	0.13	0.13	0.13	0.13	0.13	0.13

\* See [Appendix G, Sheet 1](#).

\*\* Numbers in parentheses indicate maximum bar spacing (in.) as limited by crack control Otherwise maximum spacing is 3 times slab thickness or 18 in., whichever is less.

#### Other Design Parameters

Embankment slope, S<sub>e</sub> = 2:1  
 Culvert barrel slope, S = 0.03:1  
 Taper, T = 4:1

Reinforcing yield strength, f<sub>y</sub> = 60,000 psi  
 Concrete compressive strength, f'<sub>c</sub> = 3,000 psi  
 Haunch dimensions, H<sub>H</sub> = H<sub>V</sub> = T<sub>T</sub>



Table E-2

## Reinforcing Requirements - Two Cell Side Tapered Box Inlets

Span x Rise at Throat	5x5	6x6	7x7	8x8	9x9	10x10	12x12
Dimension*	Inlet Geometry (ft-in.)						
$B_i$ (Throat)	5'-0"	6'-0"	7'-0"	8'-10"	9'-0"	10'-10"	12'-0"
$D_i$	5-0	6-0	7-0	8-0	9-0	10-0	12-0
$B_f/2$	7-6	9-0	10-6	12-0	13-6	15-0	18-0
$L_1$	10-0	12-0	14-0	16-0	18-0	20-0	24-0
$T_T$	0-8	0-8	0-8	0-9	0-10	1-0	1-4
$T_S$	0-8	0-8	0-8	0-9	0-10	1-0	1-4
$T_B$	0-9	0-9	0-9	0-10	0-11	1-1	1-5
$T_C$	0-8	0-8	0-8	0-9	0-10	1-0	1-4
$H_f$	1-0	1-0	1-0	1-0	1-2	1-3	1-6
$H_t$	6-4	7-4	8-5	9-6	10-8	11-10	14-3
Bar Designation	Required Reinforcement Area (in. <sup>2</sup> /ft)						
1A	0.20	0.20	0.20	0.22	0.24	0.29	0.39
1B	0.20	0.20	0.20	0.22	0.24	0.29	0.39
2A	0.20	0.20	0.26	0.32	0.39	0.42	0.51
3A	0.20	0.20	0.26	0.32	0.39	0.42	0.51
4A	0.20	0.20	0.20	0.22	0.24	0.29	0.39
4B	0.20	0.20	0.20	0.22	0.24	0.29	0.39
8A	0.20	0.25	0.20	0.40	0.60	0.55	0.63
8B	0.20	0.25	0.20	0.40	0.60	0.55	0.63
8C (Length)	NR	NR	0.49(8'-10")	0.61(9'-0")	0.84(10'-0")	1.11(12'-0")	1.26(16'-0")
8D (Length)	NR	NR	0.49(8'-10")	0.61(9'-0")	0.84(10'-0")	1.11(12'-0")	1.26(16'-0")
Long. 1	0.13	0.13	0.13	0.13	0.13	0.13	0.13

\* See [Appendix G. Sheet 1.](#)

\*\* Numbers in parentheses indicate maximum bar spacing (in.) as limited by crack control. Otherwise maximum spacing is 3 times slab thickness or 18 in., whichever is less.

## Other Design Parameters

Embankment slope,  $S_e = 2:1$   
 Culvert barrel slope,  $S = 0.03:1$   
 Taper,  $T = 4:1$

Reinforcing yield strength,  $f_y = 60,000$  psi  
 Concrete compressive strength,  $f'_c = 3,000$  psi  
 Haunch dimensions,  $H_H = H_V = T_T$

**Table E-3**

Reinforcing Requirements - One Cell Slope Tapered Box Inlets						
Span x Rise at Throat	5x5	5x5	5x5	7x7	7x7	7x7
Fall (ft)	2	4	6	2	4	6
Dimension*	Inlet Geometry (ft-in.)					
B <sub>i</sub> (Throat)	5'-0"	5'-0"	5'-0"	7'-0"	7'-0"	7'-0"
D <sub>i</sub>	5-0	5-0	5-0	7-0	7-0	7-0
B <sub>f</sub>	7-6	8-10	10-2	10-6	11-4	12-8
L <sub>1</sub>	7-6	11-6	15-6	10-6	12-11	16-11
L <sub>2</sub>	5-0	9-0	13-0	5-4	9-5	13-5
L <sub>3</sub>	2-6	2-6	2-6	5-2	3-6	3-6
L <sub>B</sub>	1-3	1-3	1-3	1-9	1-9	1-9
Fall	2-0	4-0	6-0	2-0	4-0	6-0
T <sub>T</sub>	0-8	0-8	0-8	0-8	0-8	0-9
T <sub>S</sub>	0-8	0-8	0-8	0-8	0-8	0-9
T <sub>B</sub>	0-9	0-9	0-9	0-9	0-9	0-10
H <sub>f</sub>	1-0	1-0	1-0	1-0	1-0	1-1
H <sub>t</sub>	7-4	11-4	15-4	12-3	12-3	16-4
Bar Designation	Required Reinforcement Area (in. <sup>2</sup> /ft)					
1A	0.20	0.20	0.20	0.26	0.31	0.33
1B	0.20	0.20	0.20	0.26	0.31	0.33
2A	0.20	0.27	0.35	0.46(12)**	0.68(4)**	0.80(4)**
3A	0.20	0.28	0.36	0.60(12)**	0.78(4)**	0.88(4)**
4A	0.20	0.20	0.20	0.20	0.20	0.22
4B	0.20	0.20	0.20	0.20	0.20	0.22
8A	0.20	0.20	0.20	0.20	0.20	0.22
Long. 1	0.13	0.13	0.13	0.13	0.13	0.13
Long. 2	0.20	0.20	0.20	0.20	0.20	0.22

\* See [Appendix G, Sheet 3](#).

\*\* Numbers in parentheses indicate maximum bar spacing (in.) as limited by crack control. Otherwise maximum spacing is 3 times slob thickness or 18 in., whichever is less.

**Other Design Parameters**

Embankment slope, S<sub>e</sub> = 2:1  
 Culvert barrel slope, S = 0.03:1  
 Taper, T = 6:1

Reinforcing yield strength, f<sub>y</sub> = 60,000 psi  
 Concrete compressive strength, f'<sub>c</sub> = 3,000 psi  
 Haunch dimensions, H<sub>H</sub> = H<sub>V</sub> = T<sub>T</sub>

Reinforcing Requirements - One Cell Slope Tapered Box Inlets						
Span x Rise at Throat	7x7	9x9	9x9	9x9	9x9	9x9
Fall (ft)	8	2	4	6	8	10
Dimension*	Inlet Geometry (ft-in.)					

$B_i$ (Throat)	7'-0"	9'-0"	9'-0"	9'-0"	9'-0"	9'-0"
$D_i$	7-0	9-0	9-0	9-0	9-0	9-0
$B_f$	14-0	13-6	13-9	15-1	16-5	17-9
$L_1$	20-11	13-6	14-4	18-4	22-4	26-4
$L_2$	17-5	5-8	9-10	13-10	17-10	21-10
$L_3$	3-6	7-10	4-6	4-6	4-6	4-6
$L_B$	1-9	2-3	2-3	2-3	2-3	2-3
Fall	8-0	2-0	4-0	6-0	8-0	10-0
$T_T$	0-10	0-9	0-10	1-0	1-2	1-4
$T_S$	0-10	0-9	0-10	1-0	1-2	1-4
$T_B$	0-11	0-10	0-11	1-1	1-3	1-5
$H_f$	1-2	1-2	1-2	1-3	1-4	1-6
$H_t$	20-6	10-11	13-5	17-6	21-7	25-9

Bar Designation	Required Reinforcement Area (in. <sup>2</sup> /ft)					
1A	0.33	0.57	0.42	0.40	0.37	0.39
1B	0.33	0.57	0.42	0.40	0.37	0.39
2A	0.88(4)**	1.05(4)**	1.06(4)**	0.96(4)**	1.06(8)**	1.02(12)**
3A	0.99(4)**	1.21(4)**	1.20(4)**	1.09(4)**	1.20(8)**	1.21(12)**
4A	0.24	0.22	0.24	0.29	0.34	0.39
4B	0.24	0.22	0.24	0.29	0.34	0.39
8A	0.24	0.28	0.24	0.29	0.34	0.39
Long. 1	0.13	0.13	0.13	0.13	0.13	0.13
Long. 2	0.24	0.22	0.24	0.29	0.34	0.39

\* See [Appendix G. Sheet 3.](#)

\*\* Numbers in parentheses indicate maximum bar spacing (in.) as limited by crack control. Otherwise maximum spacing is 3 times slob thickness or 18 in., whichever is less.

<p><b>Other Design Parameters</b></p> <p>Embankment slope, <math>S_e = 2:1</math>  Culvert barrel slope, <math>S = 0.03:1</math>  Taper, <math>T = 6:1</math></p>	<p>Reinforcing yield strength, <math>f_y = 60,000</math> psi  Concrete compressive strength, <math>f'_c = 3,000</math> psi  Haunch dimensions, <math>H_H = H_V = T_T</math></p>
---------------------------------------------------------------------------------------------------------------------------------------------------------------------------	-----------------------------------------------------------------------------------------------------------------------------------------------------------------------------------------

Table E-4						
Reinforcing Requirements - One Cell Slope Tapered Box Inlets						
Span x Rise at Throat	6x6	6x6	6x6	8x8	8x8	8x8
Fall (ft)	2	4	6	2	4	6
Dimension*	Inlet Geometry (ft-in.)					

B <sub>i</sub> (Throat)	6'-0"	6'-0"	6'-0"	8'-0"	8'-0"	8'-0"
D <sub>i</sub>	6-0	6-0	6-0	8-0	8-0	8-0
B <sub>f</sub>	9-0	10-0	11-4	12-0	12-5	13-9
L <sub>1</sub>	9-0	12-0	16-0	12-0	13-4	17-4
L <sub>2</sub>	4-11	9-0	13-0	5-0	9-4	13-4
L <sub>3</sub>	4-1	3-0	3-0	7-0	4-0	4-0
L <sub>B</sub>	1-7	1-7	1-7	2-1	2-1	2-1
Fall	2-0	4-0	6-0	2-0	4-0	6-0
T <sub>T</sub>	0-8	0-8	0-8	0-8	0-8	0-10
T <sub>S</sub>	0-8	0-8	0-8	0-8	0-8	0-10
T <sub>B</sub>	0-9	0-9	0-9	0-9	0-9	0-11
H <sub>f</sub>	1-0	1-0	1-0	1-0	1-0	1-2
H <sub>t</sub>	8-2	11-9	15-9	9-11	12-8	16-9

Bar Designation	Required Reinforcement Area (in. <sup>2</sup> /ft)					
1A	0.20	0.20	0.26	0.39	0.55	0.39
1B	0.20	0.20	0.26	0.39	0.55	0.39
2A	0.29	0.39	0.55(4)**	0.79(4)**	1.21(4)**	1.00(4)**
3A	0.31	0.42	0.62(4)**	0.93(4)**	1.34(4)**	1.12(4)**
4A	0.20	0.20	0.20	0.20	0.20	0.24
4B	0.20	0.20	0.20	0.20	0.20	0.24
8A	0.20	0.20	0.20	0.20	0.35	0.24
Long. 1	0.13	0.13	0.13	0.13	0.13	0.13
Long. 2	0.20	0.20	0.20	0.20	0.20	0.24

\* See [Appendix G, Sheet 3](#).

\*\* Numbers in parentheses indicate maximum bar spacing (in.) as limited by crack control. Otherwise maximum spacing is 3 times slab thickness or 18 in., whichever is less.

Other Design Parameters	
Embankment slope, S <sub>e</sub> = 2:1	Reinforcing yield strength, f <sub>y</sub> = 60,000 psi
Culvert barrel slope, S = 0.06:1	Concrete compressive strength, f' <sub>c</sub> = 3,000 psi
Taper, T = 6: 1	Haunch dimensions, H <sub>H</sub> = H <sub>V</sub> = T <sub>T</sub>

#### Reinforcing Requirements - One Cell Slope Tapered Box Inlets

Span x Rise at Throat	8x8	10x10	10x10	10x10	10x10	10x10
Fall (ft)	8	2	4	6	8	10
Dimension*	Inlet Geometry (ft-in.)					
B <sub>i</sub> (Throat)	8'-0"	10'-0"	10'-0"	10'-0"	10'-0"	10'-0"
D <sub>i</sub>	8-0	10-0	10-0	10-0	10-0	10-0
B <sub>f</sub>	15-2	15-0	15-0	16-3	17-7	18-11
L <sub>1</sub>	21-5	15-0	15-0	18-9	22-9	26-9
L <sub>2</sub>	17-5	5-2	9-8	13-9	17-9	21-9
L <sub>3</sub>	4-0	9-10	5-4	5-0	5-0	5-0
L <sub>B</sub>	2-1	2-8	2-8	2-8	2-8	2-8
Fall	8-0	2-0	4-0	6-0	8-0	10-0
T <sub>T</sub>	1-0	0-10	1-0	1-2	1-4	1-6
T <sub>S</sub>	1-0	0-10	1-0	1-2	1-4	1-6
T <sub>B</sub>	1-1	0-11	1-1	1-3	1-5	1-7
H <sub>f</sub>	1-3	1-3	1-3	1-4	1-6	1-7
H <sub>t</sub>	20-10	11-11	13-11	17-11	22-0	26-2

Bar Designation	Required Reinforcement Area (in. <sup>2</sup> /ft)					
1A	0.38	0.74	0.42	0.40	0.39	0.44
1B	0.38	0.74	0.42	0.40	0.39	0.44
2A	0.90(4)**	1.20(4)**	0.92(4)**	0.88(4)**	1.04(8)**	1.10(12)**
3A	1.04(4)**	1.40(4)**	1.09(4)**	1.11(4)**	1.25(8)**	1.33(12)**
4A	0.29	0.24	0.29	0.34	0.39	0.44
4B	0.29	0.24	0.29	0.34	0.39	0.44
8A	0.29	0.36	0.29	0.34	0.39	0.44
Long. 1	0.13	0.13	0.13	0.13	0.13	0.13
Long. 2	0.29	0.24	0.29	0.34	0.39	0.44

\* See [Appendix G. Sheet 3.](#)

\*\* Numbers in parentheses indicate maximum bar spacing (in.) as limited by crack control. Otherwise maximum spacing is 3 times slob thickness or 18 in., whichever is less.

#### Other Design Parameters

Embankment slope,  $S_e = 2:1$   
 Culvert barrel slope,  $S = 0.06:1$

Reinforcing yield strength,  $f_y = 60,000$  psi  
 Concrete compressive strength,  $f'_c = 3,000$  psi  
 Haunch dimensions,  $H_H = H_V = T_T$

Taper,  $T = 6:1$

#### Reinforcing Requirements - One Cell Slope Tapered Box Inlets

Span x Rise at Throat	12x12	12x12	12x12	12x12	12x12	12x12
Fall (ft)	2	4	6	8	10	12
Dimension*	Inlet Geometry (ft-in.)					
$B_i$ (Throat)	12'-0"	12'-0"	12'-0"	12'-0"	12'-0"	12'-0"
$D_i$	12-0	12-0	12-0	12-0	12-0	12-0
$B_f$	18-0	18-0	18-8	20-0	21-4	22-8
$L_1$	18-0	18-0	20-1	24-1	28-1	32-1
$L_2$	5-3	9-10	14-1	18-1	22-1	26-1
$L_3$	12-9	8-2	6-0	6-0	6-0	6-0
$L_B$	3-2	3-2	3-2	3-2	3-2	3-2
Fall	2-0	4-0	6-0	8-0	10-0	12-0
$T_T$	1-2	1-4	1-6	1-8	1-10	2-0
$T_S$	1-2	1-4	1-6	1-8	1-10	2-0
$T_B$	1-3	1-5	1-7	1-9	1-11	2-1
$H_f$	1-6	1-6	1-7	1-8	1-9	1-11
$H_t$	13-11	15-11	19-0	23-1	27-3	31-4

Bar Designation	Required Reinforcement Area (in. <sup>2</sup> /ft)					
1A	0.57	0.50	0.45	0.48	0.53	0.58
1B	0.57	0.50	0.45	0.48	0.53	0.58
2A	1.04(4)**	0.97(4)**	1.10(8)**	1.20(8)**	1.38(12)**	1.50
3A	1.30(4)**	1.20(4)**	1.36(8)**	1.53(8)**	1.70(12)**	1.83
4A	0.34	0.39	0.44	0.48	0.53	0.58
4B	0.34	0.39	0.44	0.48	0.53	0.58
8A	0.34	0.39	0.44	0.48	0.53	0.58
Long. 1	0.13	0.13	0.13	0.13	0.13	0.13
Long. 2	0.34	0.39	0.44	0.48	0.53	0.58

\* See [Appendix G. Sheet 3.](#)

\*\* Numbers in parentheses indicate maximum bar spacing (in.) as limited by crack control. Otherwise maximum spacing is 3 times slob thickness or 18 in., whichever is less.

Other Design Parameters	
Embankment slope, $S_e = 2:1$ Culvert barrel slope, $S = 0.03:1$ Taper, $T = 6:1$	Reinforcing yield strength, $f_y = 60,000$ psi Concrete compressive strength, $f'_c = 3,000$ psi Haunch dimensions, $H_H = H_V = T_T$

Table E-5						
Reinforcing Requirements - Two Cell Slope Tapered Box Inlets						
Span x Rise at Throat	6x6	6x6	6x6	8x8	8x8	8x8
Fall (ft)	2	4	6	2	4	6
Dimension*	Inlet Geometry (ft-in.)					
$B_i$	6'-0"	6'-0"	6'-0"	8'-0"	8'-0"	8'-0"
$D_i$	6-0	6-0	6-0	8-0	8-0	8-0
$B_f$	18-0	18-0	20-0	24-0	24-0	24-8
$L_1$	12-0	12-0	16-0	16-0	16-0	14-5
$L_2$	4-6	9-0	13-0	4-6	8-0	13-5
$L_3$	7-6	3-0	3-0	11-6	7-0	4-0
$L_B$	1-7	1-7	1-7	2-1	2-1	2-1
Fall	2-0	4-0	6-0	2-0	4-0	6-0
$T_T$	0-8	0-8	0-10	1-0	1-0	1-0
$T_S$	0-8	0-8	0-10	1-0	1-0	1-0
$T_B$	0-9	0-9	0-11	1-1	1-1	1-1
$T_C$	0-8	0-8	0-10	1-0	1-0	1-0
$H_f$	1-0	1-0	1-0	1-0	1-0	1-0
$H_t$	9-8	11-9	15-9	11-11	13-11	16-8
Bar Designation	Required Reinforcement Area (in. <sup>2</sup> /ft)					
1A	0.20	0.20	0.24	0.29	0.29	0.29
1B	0.20	0.20	0.24	0.29	0.29	0.29
2A	0.23	0.25	0.24	0.29	0.32	0.36
3A	0.23	0.25	0.24	0.29	0.32	0.36
4A	0.20	0.20	0.24	0.29	0.29	0.29
4B	0.20	0.20	0.24	0.29	0.29	0.29
8A	0.20	0.23	0.24	0.29	0.29	0.34
8B	0.20	0.23	0.24	0.29	0.29	0.34
8C(Length)	0.38(8'-0")	0.46(8'-0")	0.14(8'-0")	0.20(9'-0")	0.53(9'-0")	0.69(9'-0")
8D(Length)	0.38(8'-0")	0.46(8'-0")	0.14(8'-0")	0.20(9'-0")	0.53(9'-0")	0.69(9'-0")
Long. 1	0.13	0.13	0.13	0.13	0.13	0.13
Long. 2	0.20	0.20	0.24	0.29	0.29	0.29

\* See [Appendix G. Sheet 3.](#)

\*\* Numbers in parentheses indicate maximum bar spacing (in.) as limited by crack control. Otherwise maximum spacing is 3 times slob thickness or 18 in., whichever is less.

<b>Other Design Parameters</b>	
Embankment slope, $S_e = 2:1$ Culvert barrel slope, $S = 0.06:1$ Taper, $T = 4:1$	Reinforcing yield strength, $f_y = 60,000$ psi Concrete compressive strength, $f'_c = 3,000$ psi Haunch dimensions, $H_H = H_V = T_T$

**Reinforcing Requirements - Two Cell Slope Tapered Box Inlets**

Span x Rise at Throat	10x10	10x10	10x10	12x12	12x12	12x12
Fall (ft)	2	4	6	2	4	6

**Dimension\* Inlet Geometry (ft-in.)**

$B_i$	10'-0"	10'-0"	10'-0"	12'-0"	12'-0"	12'-0"
$D_i$	10-0	10-0	10-0	12-0	12-0	12-0
$B_f$	30-0	30-0	30-0	36-0	36-0	36-0
$L_1$	20-0	20-0	20-0	24-0	24-0	24-0
$L_2$	4-6	9-0	13-7	4-5	9-0	13-6
$L_3$	15-6	11-0	6-5	19-7	15-0	10-6
$L_B$	2-8	2-8	2-8	3-2	3-2	3-2
Fall	2-0	4-0	6-0	2-0	4-0	6-0
$T_T$	1-4	1-4	1-4	1-8	1-8	1-8
$T_S$	1-4	1-4	1-4	1-8	1-8	1-8
$T_B$	1-5	1-5	1-5	1-9	1-9	1-9
$T_C$	1-4	1-4	1-4	1-8	1-8	1-8
$H_f$	1-3	1-3	1-3	1-6	1-6	1-6
$H_t$	14-5	16-5	18-5	16-11	18-11	20-11

**Bar Designation Required Reinforcement Area (in.<sup>2</sup>/ft)**

1A	0.39	0.39	0.39	0.48	0.48	0.48
1B	0.39	0.39	0.39	0.48	0.48	0.48
2A	0.39	0.42	0.45	0.48	0.53	0.59
3A	0.39	0.42	0.45	0.48	0.53	0.59
4A	0.39	0.39	0.39	0.48	0.48	0.48
4B	0.39	0.39	0.39	0.48	0.48	0.48
8A	0.39	0.39	0.41	0.48	0.48	0.59
8B	0.39	0.39	0.41	0.48	0.48	0.59
8C(Length)	0.16(12'-0")	0.68(12'-0")	0.83(12'-0")	0.23(14'-0")	0.95(14'-0")	1.19(14'-0")
8D(Length)	0.16(12'-0")	0.68(12'-0")	0.83(12'-0")	0.23(14'-0")	0.95(14'-0")	1.19(14'-0")
Long. 1	0.13	0.13	0.13	0.13	0.13	0.13
Long. 2	0.39	0.39	0.39	0.48	0.48	0.48

\* See [Appendix G. Sheet 3.](#)

\*\* Numbers in parentheses indicate maximum bar spacing (in.) as limited by crack control. Otherwise maximum spacing is 3 times slob thickness or 18 in., whichever is less.

<b>Other Design Parameters</b>	
Embankment slope, $S_e = 2:1$ Culvert barrel slope, $S = 0.04:1$ Taper, $T = 4:1$	Reinforcing yield strength, $f_y = 60,000$ psi Concrete compressive strength, $f'_c = 3,000$ psi Haunch dimensions, $H_H = H_V = T_T$

Table E-6

Reinforcing Requirements - Side Tapered Reinforced Concrete Pipe Inlets					
Diameter at Throat	4	6	8	10	12
Dimension*	Inlet Geometry (ft-in.)				
D <sub>i</sub>	4'-0"	6'-0"	8'-0"	10'-0"	12'-0"
B <sub>f</sub>	6-0	9-0	12-0	15-0	18-8
r <sub>1</sub> @Face	1-8 $\frac{5}{16}$	2-6 $\frac{7}{16}$	3-4 $\frac{9}{16}$	4-2 $\frac{3}{4}$	5-0 $\frac{7}{8}$
r <sub>2</sub> @Face	4-7 $\frac{7}{16}$	6-11 $\frac{1}{8}$	9-2 $\frac{13}{16}$	11-6 $\frac{9}{16}$	13-10 $\frac{1}{4}$
u@Face	1-3 $\frac{11}{16}$	1-11 $\frac{9}{16}$	2-7 $\frac{7}{16}$	3-3 $\frac{1}{4}$	3-11 $\frac{1}{8}$
v@Face	2-7 $\frac{7}{16}$	3-11 $\frac{1}{8}$	5-2 $\frac{13}{16}$	6-6 $\frac{9}{16}$	7-10 $\frac{1}{4}$
L <sub>1</sub>	4-0	6-0	8-0	10-0	12-0
h	0-4	0-6	0-8	0-10	1-0
H <sub>f</sub>	1-0	1-0	1-0	1-3	1-6
H <sub>t</sub>	3-2	4-2	5-3	6-7	7-10
Bar Designation	Required Reinforcement Area (in. <sup>2</sup> /ft)				
A <sub>si</sub>	0.29	0.49	0.81	1.27	1.84
A <sub>sc</sub>	0.14	0.23	0.36	0.56	0.80
A <sub>so</sub>	0.17	0.27	0.41	0.59	0.82

\* See [Appendix G, Sheet 5](#).

#### Other Design Parameters

Embankment slope, S<sub>e</sub> = 2:1  
 Culvert barrel slope, S = 0.03:1  
 Taper, T = 4: 1

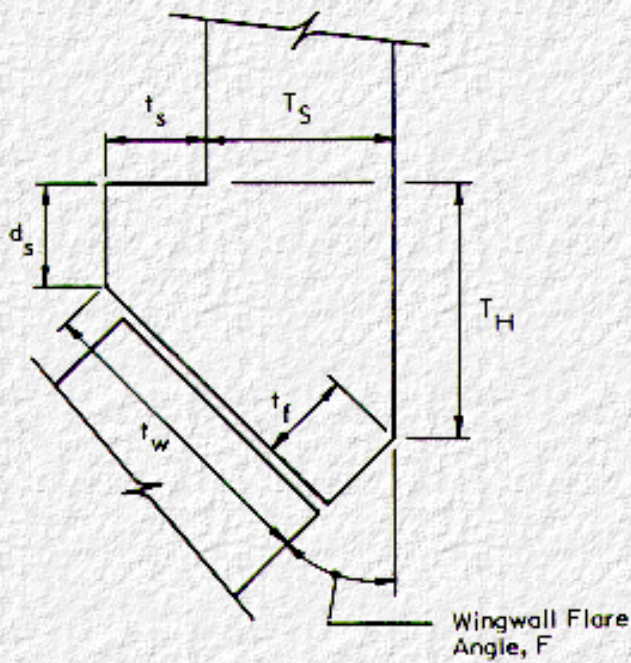
Reinforcing yield strength, f<sub>y</sub> = 65,000 psi  
 Concrete compressive strength, f'<sub>c</sub> = 5,000 psi

Table E-7

Corrugation Requirements - Side Tapered Metal Pipe Inlets					
Diameter at Throat	4	6	8	10	12
Dimension*	Inlet Geometry (ft-in.)				
D <sub>i</sub>	4'-0"	6'-0"	8'-0"	10'-0"	12'-0"
B <sub>f</sub>	6-0	9-0	12-0	15-0	18-8
r <sub>1</sub> @Face	1-8 $\frac{5}{16}$	2-6 $\frac{7}{16}$	3-4 $\frac{9}{16}$	4-2 $\frac{3}{4}$	5-0 $\frac{7}{8}$
r <sub>2</sub> @Face	4-7 $\frac{7}{16}$	6-11 $\frac{1}{8}$	9-2 $\frac{13}{16}$	11-6 $\frac{9}{16}$	13-10 $\frac{1}{4}$



u@Face	1-3 $\frac{11}{16}$	1-11 $\frac{9}{16}$	2-7 $\frac{7}{16}$	3-3 $\frac{1}{4}$	3-11 $\frac{1}{8}$
v@Face	2-7 $\frac{7}{16}$	3-11 $\frac{1}{8}$	5-2 $\frac{13}{16}$	6-6 $\frac{9}{16}$	7-10 $\frac{1}{4}$
L <sub>1</sub>	4-0	6-0	8-0	10-0	12-0
H <sub>f</sub>	1-0	1-2	1-6	1-11	2-3
H <sub>t</sub>	3-2	4-4	5-9	7-2	8-7
<b>Design Without Special Features (in.)</b>					
Corrugation Thickness	3x1 0.109	6x2 0.109	6x2 0.168	6x2 0.249	-
<b>Design With Special Features** (in.)</b>					
Corrugation Thickness	-	-	6x2 0.109	6x2 0.109	6x2 0.109
* See <a href="#">Appendix G. Sheet 6.</a>					
** As per the AASHTO Bridge Specification <a href="#">Section 1.9.6</a>					
<b>Other Design Parameters</b>					
Embankment slope, S <sub>e</sub> = 2:1 Culvert barrel slope, S = 0.03:1			Corrugated metal., f <sub>y</sub> = 33,000 psi, f <sub>u</sub> = 45,000 psi Taper, T = 4: 1		



$$T_H = \frac{B_f}{12} \geq 12''$$

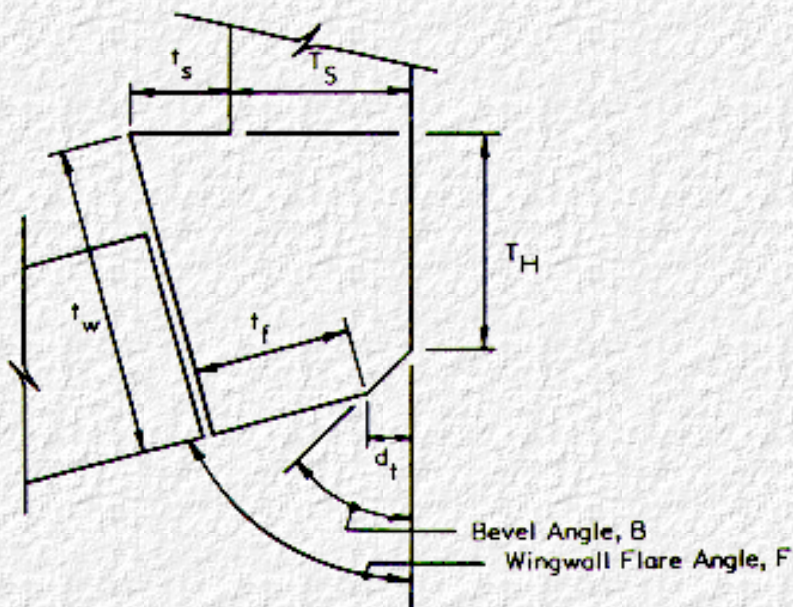
$$t_w = 14 + \frac{B_f}{24}$$

$$t_f = \frac{B_f}{12} \sin F \geq 12 \sin F$$

$$t_s = t_f \sin F + t_w \cos F - T_S$$

$$d_s = T_H + t_f \cos F - t_w \sin F$$

**a. Wingwall Flare Angles Less Than or Equal to  $45^\circ$**



$$T_H = \frac{B_f}{12} \geq 12$$

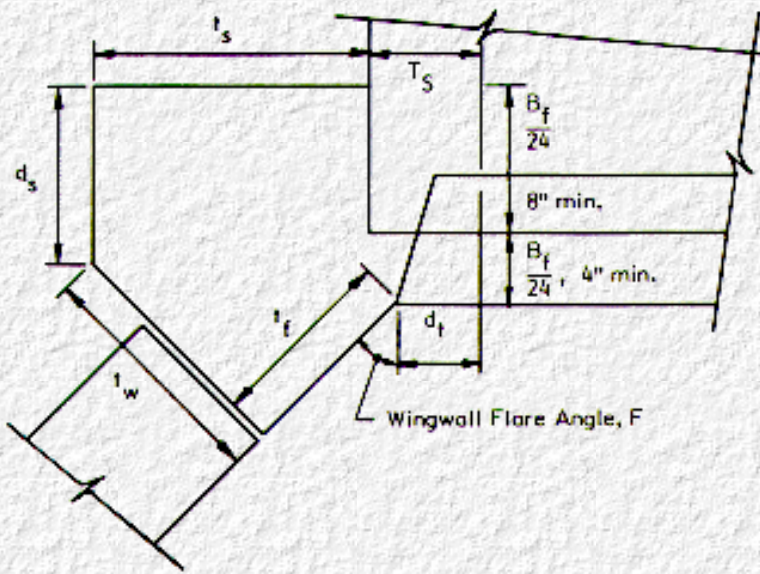
$$t_s = \frac{B_f}{24} \geq 6$$

$$t_f = T_S + t_s - d_t - \frac{T_H}{\tan F} \sin F$$

$$t_w = \frac{T_H + t_f \cos F}{\sin F}$$

**b. Wingwall Flare Angles Greater Than  $45^\circ$**

**Figure E-1. Headwall Dimensions for Cast-In-Place Reinforced Concrete Structures.**



$$T_H = \frac{B_f}{12} \geq \frac{B_f}{24} + 8 \geq 12$$

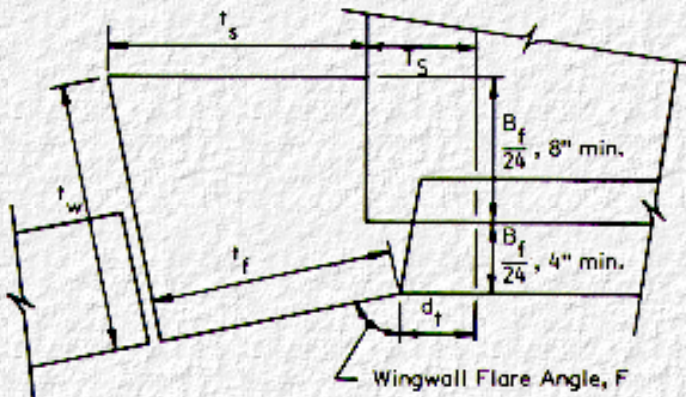
$$t_w = 14 + \frac{B_f}{24}$$

$$t_f = \frac{B_f}{12} + T_s \sin F \geq (12 + T_s) \sin F$$

$$t_s = d_t + t_f \sin F + t_w \cos F - T_s$$

$$d_s = T_H + t_f \cos F - t_w \sin F$$

a. Wingwall Flare Angles Less Than 60°



$$T_H = \frac{B_f}{12} \geq 12$$

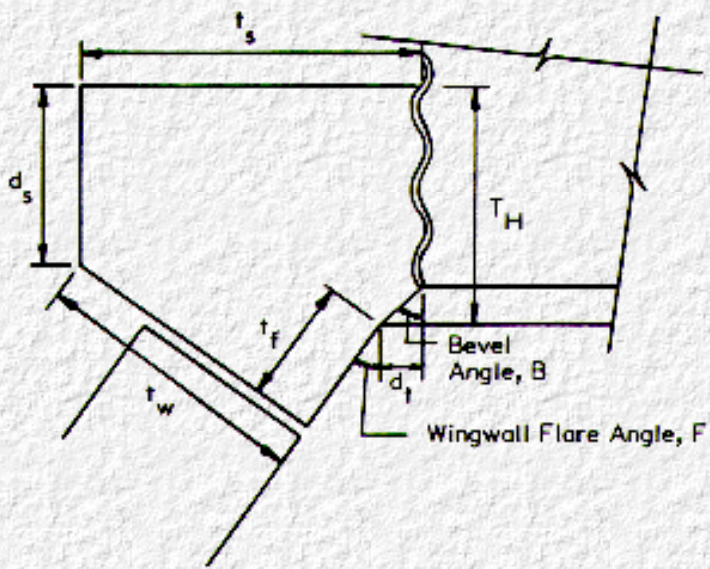
$$t_f = \frac{B_f}{12} + T_s \geq 12 + d_t$$

$$t_w = \frac{T_H + t_f \cos F}{\sin F}$$

$$t_s = t_w \cos F + t_f \sin F + d_t$$

b. Wingwall Flare Angles Greater Than or Equal to 60°

Figure E-2. Headwall Dimensions for Precast Concrete Culverts



$$T_H = \frac{B_f}{24} + \frac{d_t}{\tan B} \geq 8 + \frac{d_t}{\tan B} \geq 12''$$

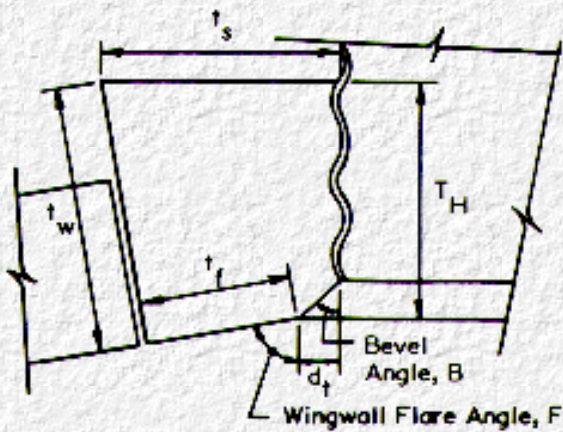
$$t_w = 14 + \frac{B_f}{24}$$

$$t_f = \frac{B_f \sin F}{12} > 12 \sin F$$

$$t_s = d_t + t_f \sin F + t_w \cos F$$

$$d_s = T_H + t_f \cos F - t_w \sin F$$

**a. Wingwall Flare Angles Less Than 60°**



$$T_H = \frac{B_f}{24} + \frac{d_t}{\tan B} \geq 8 + \frac{d_t}{\tan B} \geq 12''$$

$$t_f = \frac{B_f}{12} \geq 12 - d_t \geq 6''$$

$$t_s = t_w \cos F + t_f \sin F + d_t$$

$$t_w = \frac{T_H + t_f \cos F}{\sin F}$$

**b. Wingwall Flare Angles Greater Than or Equal to 60°**

Figure E-3. Headwall Dimensions for Corrugated Metal Pipe

Table E-8

Box Section Headwall Designs - 45° Wingwall Flare Angle

Headwall Opening Span x Rise	T <sub>T</sub>	T <sub>S</sub>	T <sub>H</sub>	t <sub>w</sub>	t <sub>s</sub>	t <sub>f</sub>	d <sub>s</sub>	d <sub>h</sub>	d <sub>t</sub>
(ft x ft.)	(in.)	(in.)	(in.)	(in.)	(in.)	(in.)	(in.)	(in.)	(in.)
5.0 x 5.0	8.0	8.0	12.0	16.5	9.7	8.5	6.3	8.0	2.5
6.0 x 6.0	8.0	8.0	12.0	17.0	10.0	8.5	6.0	8.0	3.0
7.0 x 7.0	8.0	8.0	12.0	17.5	10.4	8.5	5.6	8.0	3.5
8.0 x 8.0	8.0	8.0	12.0	18.0	10.7	8.5	5.3	8.0	4.0
9.0 x 9.0	9.0	9.0	12.0	18.5	10.1	8.5	4.9	9.0	4.5
10.0 x 10.0	10.0	10.0	12.0	19.0	9.4	8.5	4.6	10.0	5.0
12.0 x 12.0	12.0	12.0	12.0	20.0	8.1	8.5	3.9	12.0	6.0

1. Above designs are based on 45° bevel angle and 45° flare angle. See [Figure E-1](#) for other angles.

2. See [Sheet 7, Appendix G](#) for key to dimensions and reinforcing requirements.

3. Designs are applicable to one and two cell box sections.

**Table E-9**

**Box Section Headwall Designs - 60° Wingwall Flare Angle**

Headwall Opening Span x Rise	T <sub>T</sub>	T <sub>S</sub>	T <sub>H</sub>	t <sub>w</sub>	t <sub>s</sub>	t <sub>f</sub>	d <sub>h</sub>	d <sub>t</sub>
(ft x ft.)	(in.)	(in.)	(in.)	(in.)	(in.)	(in.)	(in.)	(in.)
5.0 x 5.0	8.0	8.0	12.0	16.1	6.0	4.0	8.0	2.5
6.0 x 6.0	8.0	8.0	12.0	15.9	6.0	3.5	8.0	3.0
7.0 x 7.0	8.0	8.0	12.0	15.6	6.0	3.1	8.0	3.5
8.0 x 8.0	8.0	8.0	12.0	15.4	6.0	2.7	8.0	4.0
9.0 x 9.0	9.0	9.0	12.0	15.6	6.0	3.1	9.0	4.5
10.0x 10.0	10.0	10.0	12.0	15.9	6.0	3.5	10.0	5.0
12.0x 12.0	12.0	12.0	12.0	16.4	6.0	4.4	12.0	6.0

1. Above designs are based on 45° bevel angle and 60° wingwall anglw. See [Figure E-1](#) for other angles.

2. See [Sheet 7, Appendix G](#) for key to dimensions and reinforcing requirements.

3. Designs are applicable to one and two cell box sections.

**Table E-10**

**Reinforced Concrete Pipe Headwall Designs - 45° Wingwall Flare Angle**

Headwall Opening Diameter	h	T <sub>H</sub>	t <sub>w</sub>	t <sub>s</sub>	t <sub>f</sub>	d <sub>s</sub>	d <sub>h</sub>	d <sub>t</sub>
(ft)	(in.)	(in.)	(in.)	(in.)	(in.)	(in.)	(in.)	(in.)
4	4.0	12.0	16.0	17.7	11.3	8.7	12.0	2.4
6	6.0	12.0	17.0	18.6	12.7	9.0	12.0	3.6
8	8.0	12.0	18.0	19.5	14.1	9.3	12.0	4.8
10	10.0	13.0	19.0	20.4	15.6	10.6	12.0	6.0
12	12.0	14.0	20.0	21.3	17.0	11.9	12.0	7.2
14	14.0	15.0	21.0	23.3	19.8	14.2	14.0	8.4

1. Above designs are based on 45 degree bevel angle and 45 degree wingwall angle. See [Figure E-2](#) for dimensions for other angles.

2. See [Sheet 8, Appendix G](#) for key to dimensions and other requirements.

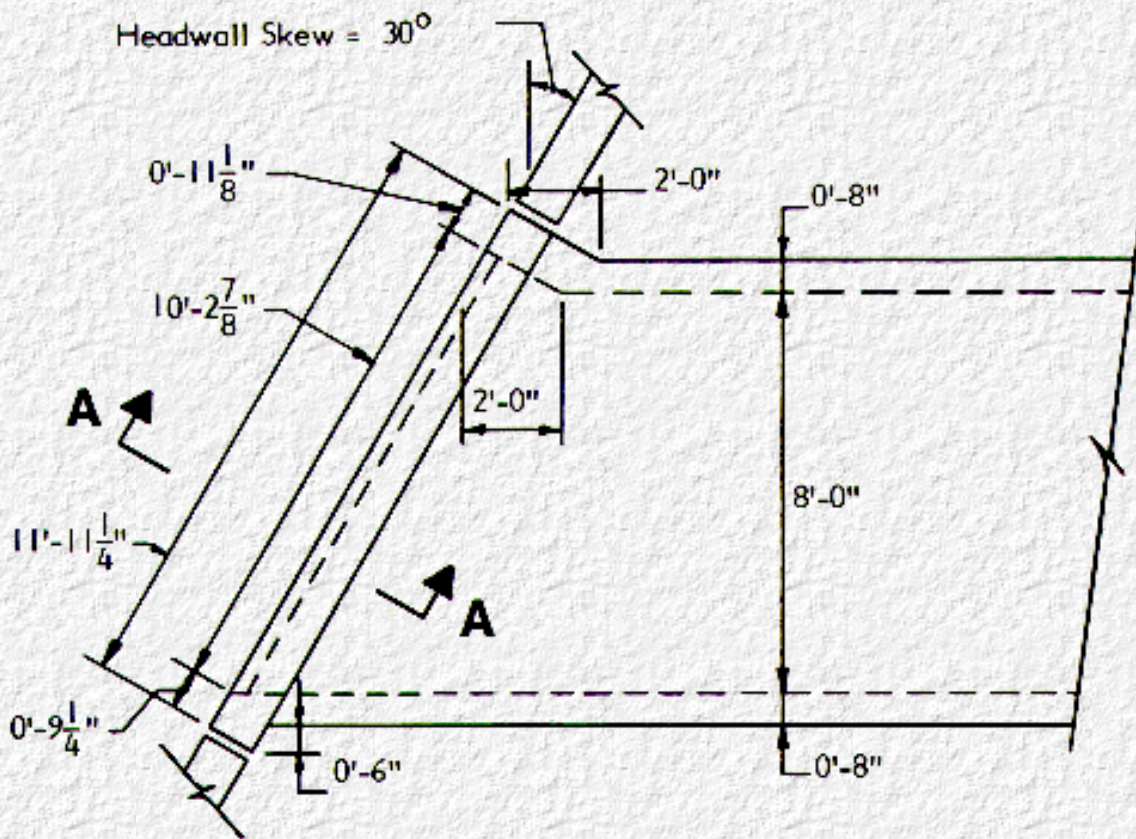
**Table E-11**

**Corrugated Metal Pipe Headwall Designs - 45° Wingwall Flare Angle**

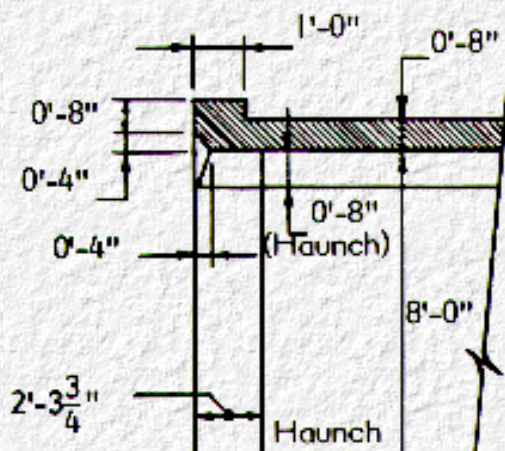
Headwall Opening Diameter	$T_H$	$t_w$	$t_s$	$t_f$	$d_s$	$d_h$	$d_t$
(ft)	(in.)	(in.)	(in.)	(in.)	(in.)	(in.)	(in.)
4	12.0	16.0	19.3	8.5	6.7	8.0	2.0
6	12.0	17.0	21.0	8.5	6.0	8.0	3.0
8	12.0	18.0	22.7	8.5	5.3	8.0	4.0
10	12.0	19.0	24.4	8.5	4.6	10.0	5.0
12	12.0	20.0	26.2	8.5	3.9	12.0	6.0
14	16.0	22.0	31.6	11.3	8.4	16.0	8.0
16	20.0	24.0	37.0	14.1	13.0	20.0	10.0

1. Above designs are based on 45 degree vevel angle and 45 degree wingwall angle. See [Figure E-2](#) for dimensions for other angles.

2. See [Sheet 8, Appendix G](#) for key to dimensions and other requirements.

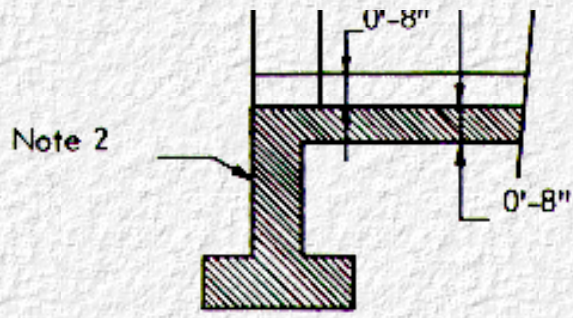


a. Plan



**Notes:**

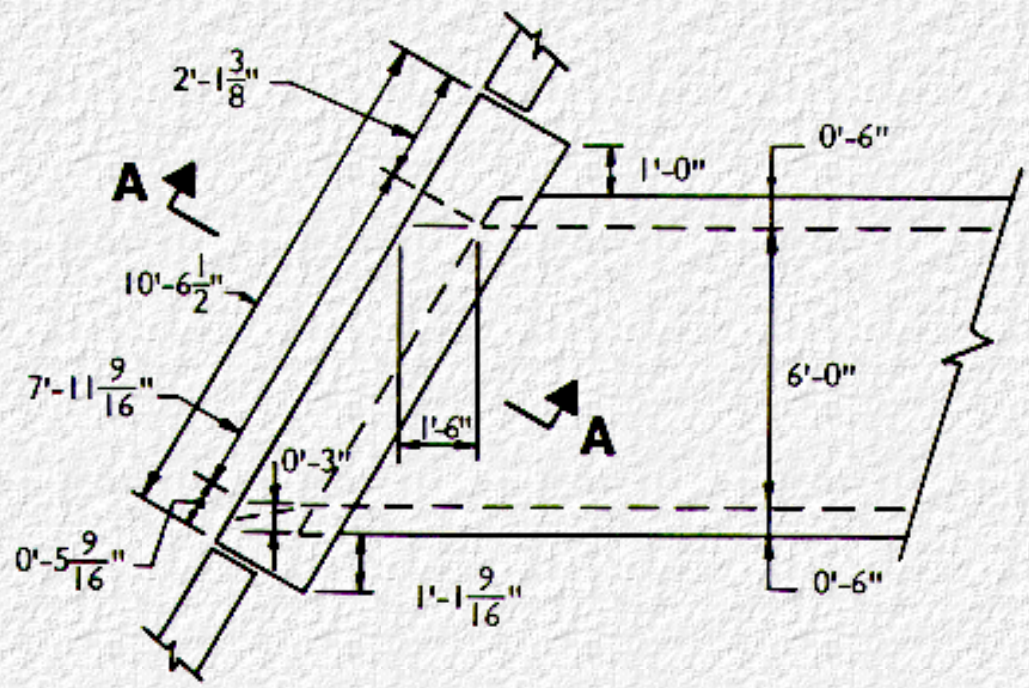
1. Dimensions as shown use reinforcing as for typical non-skewed headwall. See App. G., Sheet 7.
2. Foundation and cutoff wall to be designed based on local conditions.



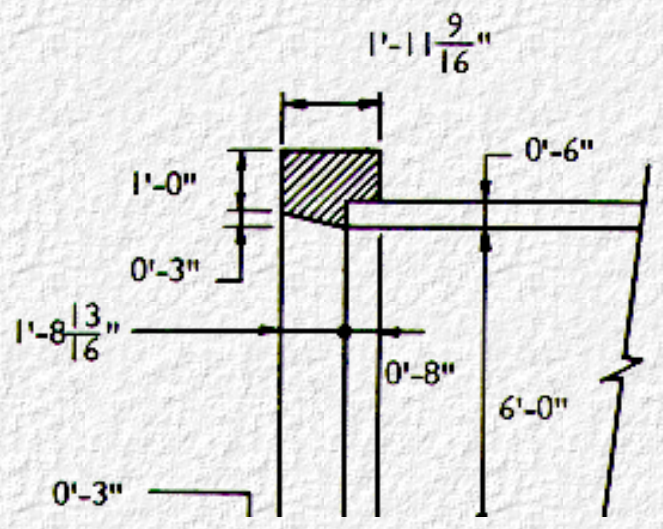
b. Section A-A

Figure E-4. Skewed Headwall for 8 X 8 Box Section

Headwall Skew = 30°

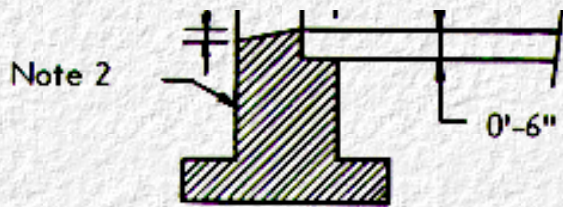


a. Plan



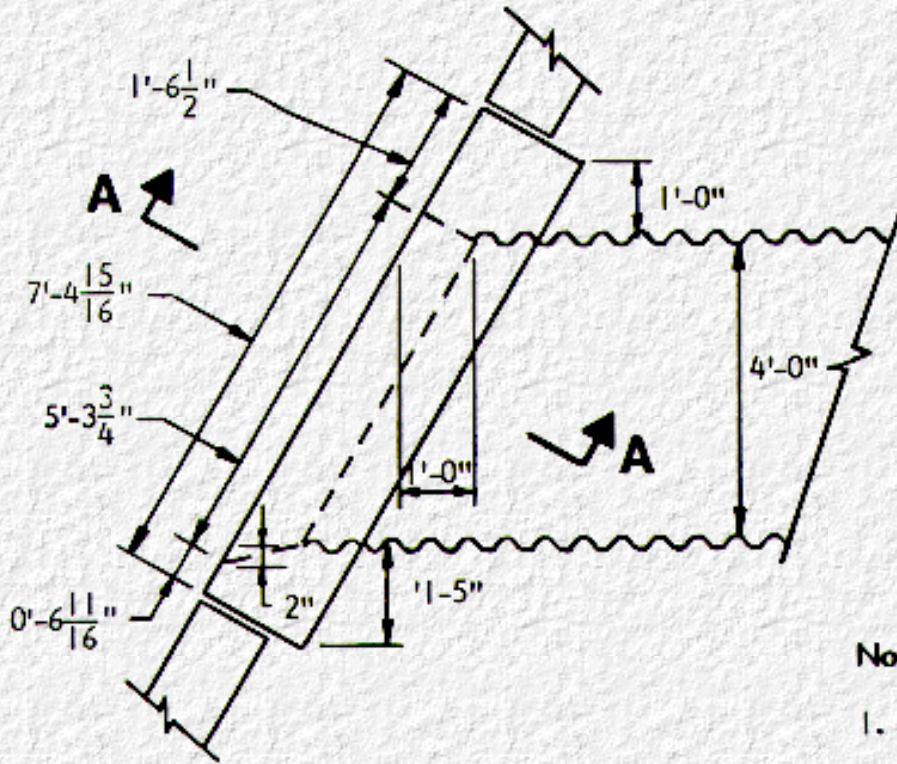
**Notes:**

1. Dimensions as shown, use reinforcing as for typical non-skewed headwall. See Appendix G, Sheet 8.
2. Foundation and cutoff wall to be designed based on local conditions.



b. Section A-A

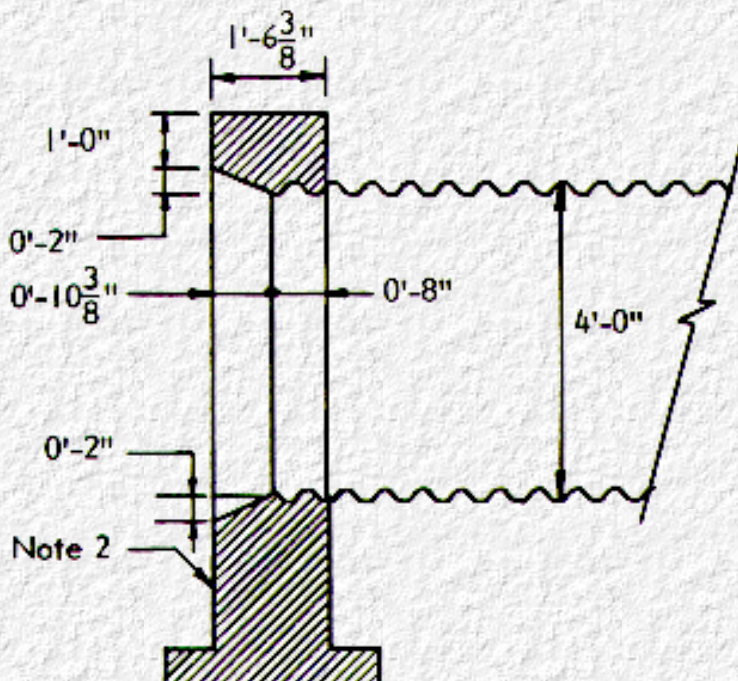
Figure E-5. Skewed Headwall for 72" Reinforced Concrete Pipe



a. Plan

Notes:

1. Dimensions as shown, use reinforcing as for typical non-skewed headwall. See Appendix G, Sheet 8.
2. Foundation and cutoff wall to be designed based on local conditions.







b. Section A-A

Figure E-6. Skewed Headwall for 48" Corrugated Metal Pipe

Table E-12						
Apron Designs - 30° Wingwalls, $S_f = 2:1$						
$B_f$	$D_i$	$S$	Fall	$L_b$	$L_F$	$W_p$
(ft)	(ft)		(ft)	(ft-in.)	(ft-in.)	(ft-in.)
6.0	6.0	0.03	2 4 6 8 10	3-0 3-0 3-0 3-0 3-0	3-10 7-10 11-10 15-10 19-10	13-11 18-6 23-1 27-9 32-4
14.0	14.0	0.03	2 4 6 8 10	7-0 7-0 7-0 7-0 7-0	3-7 7-7 11-7 15-7 19-7	26-3 30-10 35-5 40-1 44-8
10.0	10.0	0.06	2 4 6 8 10	5-0 5-0 5-0 5-0 5-0	3-5 7-5 11-5 15-5 19-5	19-8 24-4 28-11 33-7 38-2
18.0	12.0	0.06	2 4 6 8 10	6-0 6-0 6-0 6-0 6-0	3-3 7-3 11-3 15-3 19-3	28-9 33-4 37-11 42-7 47-2

Table E-13		
Reinforcing Requirements - Square to Circular Transition Sections		
Diameter @ Throat (ft)	4	8

Fill Over Transition (ft)	4 to 10	8	10	12	14
Bar Designation	Required Reinforcement Area (in. <sup>2</sup> /ft)				
IA	0.20	0.20	0.22	0.26	0.30
IB	0.20	0.20	0.22	0.26	0.30
2A	0.20	0.37	0.46(4)	0.61(4)	0.85
3A	0.20	0.42	0.50(4)	0.73(4)	0.97
4A	0.20	0.20	0.20	0.20	0.20
8A	0.20	0.20	0.20	0.20	0.20
Long. 1	0.13	0.13	0.13	0.13	0.13

[Go to Appendix F](#)



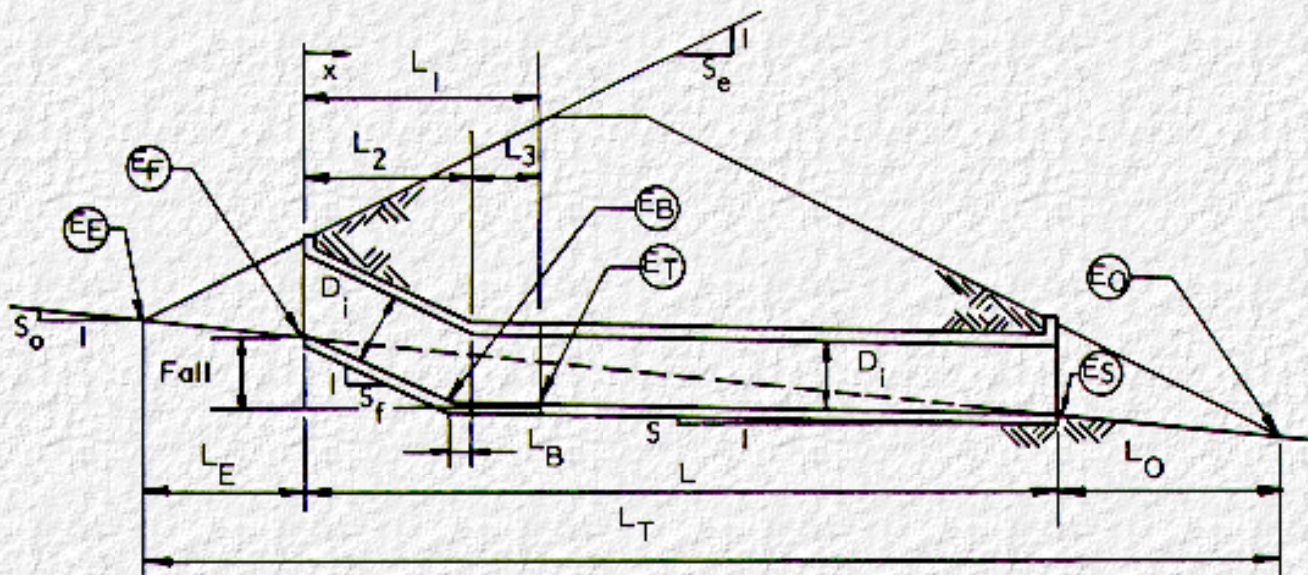
# Appendix F : FHWA-IP-83-6

## Derivation of Equations for Locating Culverts

[Go to Appendix G](#)

### F.1 Derive Equations to Determine Elevations of Critical Points and Lengths of Critical Sections for Slope Tapered Inlets

#### F.1.1 Definition of Terms



Assume the following parameters are known:

Slopes: Stream bed ( $S_o$ ), Fall ( $S_f$ ), Embankment ( $S_e$ ),

Lengths:  $L_1, L_2, L_3, L_T$  and vertical "Fall"

Elevations: Points  $E_E, E_O$

Barrel Diameter:  $D_i$

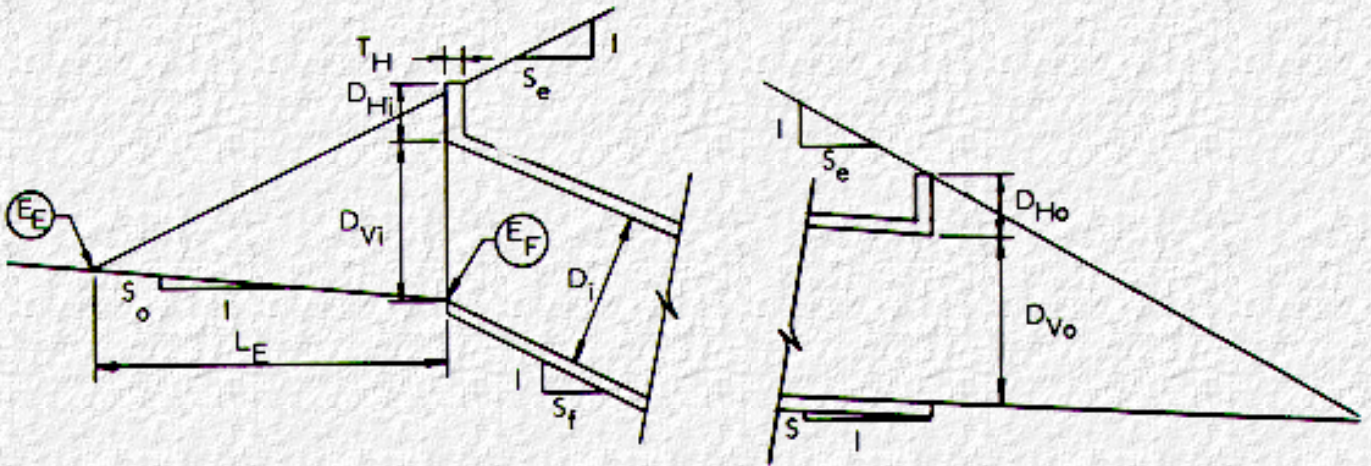
Determine the following variables:

Slopes: Barrel ( $S$ )

Lengths:  $L_E, L_O, L, L_B$

Elevations:  $E_F, E_T, E_B, E_S$

## F.1.2 Determine the Lengths $L_E$ & $L_O$



$T_H$ : selected by designer

$D_{Hi}$ ,  $D_{Ho} = D_i/12$ , (or as selected by designer, 12 in.min.)

$$D_{Vi} = D_i \sqrt{\frac{1}{S_f^2} + 1}$$

$$D_{Vo} = D_i \sqrt{S^2 + 1} \approx D_i \text{ (0.5\% error for } S = 0.10)$$

by similar triangles:

$$\frac{(L_E + T_H)}{(D_{Vi} + D_{Hi}) - S_o L_E} = S_e$$

$$L_E + S_e S_o L_E = S_e (D_{Vi} + D_{Hi}) - T_H$$

$$L_E = \frac{S_e (D_{Vi} + D_{Hi}) - T_H}{1 + S_e S_o}$$

Equation F.1

by similar calculations:

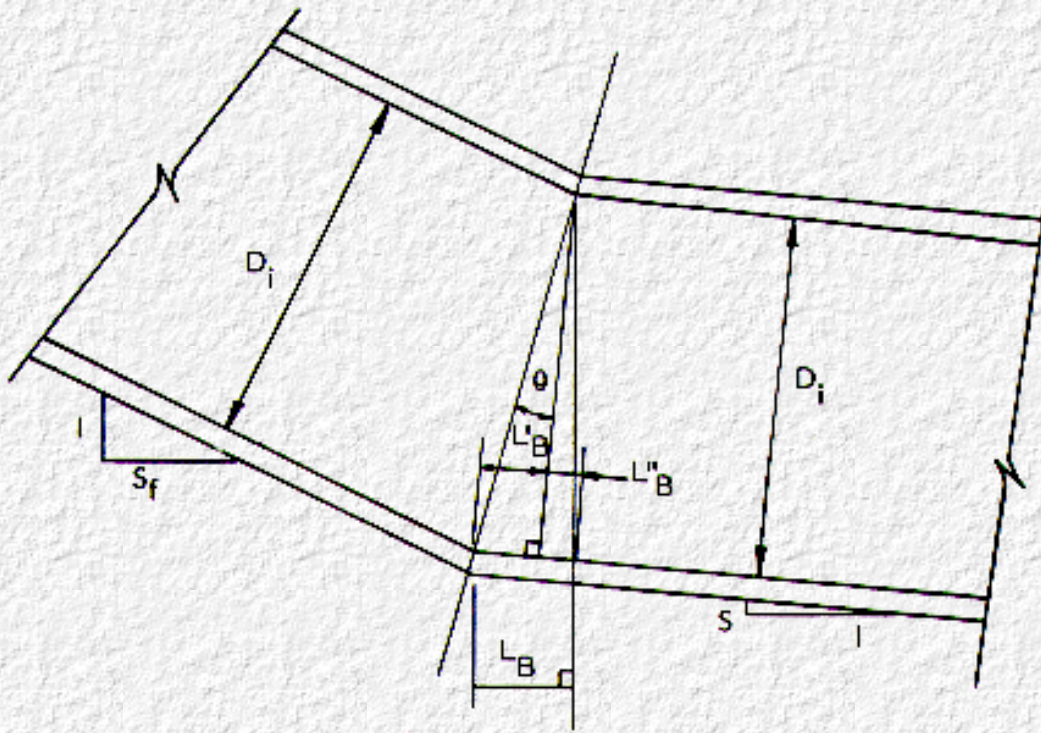
$$L_O = \frac{S_e (D_{Vo} + D_{Ho}) - T_H}{1 + S_e S_o}$$

Equation F.2

$$L = L_T - L_O - L_E$$

Equation F.3

## F.1.3 Determine $L_B$



$$\theta = \frac{1}{2} (\arctan \frac{1}{S_f} - \arctan S)$$

$$L'_B = D_i (\tan \theta)$$

$$L''_B = S (D_i) \quad \text{Note: See Eq. F.9 for determination of S.}$$

$$L_B = \frac{L''_B + L'_B}{\sqrt{S^2 + 1}}$$

Substituting:

$$L_B = \frac{D_i \left\{ \tan \left[ \frac{1}{2} (\arctan \frac{1}{S_f} - \arctan S) \right] + S \right\}}{\sqrt{1 + S^2}}$$

Eq. F.4

#### F.1.4 Determine Elevations $D_F$ , $E_B$ , $E_T$ , $E_S$

$$El.E_F = (El.E_E) - S_0 L_E$$

Equation F.5

$$El.E_T = (El.E_F) - \text{Fall}$$

Equation F.6

$$El.E_{BF} = (El.E_T) + S(L_3 + L_B)$$

Equation F.7

$$EI.E_S = EI.E_O + S_O L_E$$

Equation F.8

---

### F.1.5 Determine Slope of Barrel S

$$S = \frac{EI.E_T - EI.E_S}{L_T - (L_E + L_I + L_O)}$$

Equation F.9

---

### F.1.6 Determine Height of Fill over Inlet at Face, $H_f$ , and along Length, $H(x)$ , Where $x$ Is Horizontal Distance from Face Culvert

$H_f$  varies with site conditions and height of headwall, and must include any surcharge loads being considered.

$$H(x) = H_f + x(1/S_f + 1/S_e), 0 < x < L_2 \quad \text{Equation F.10a}$$

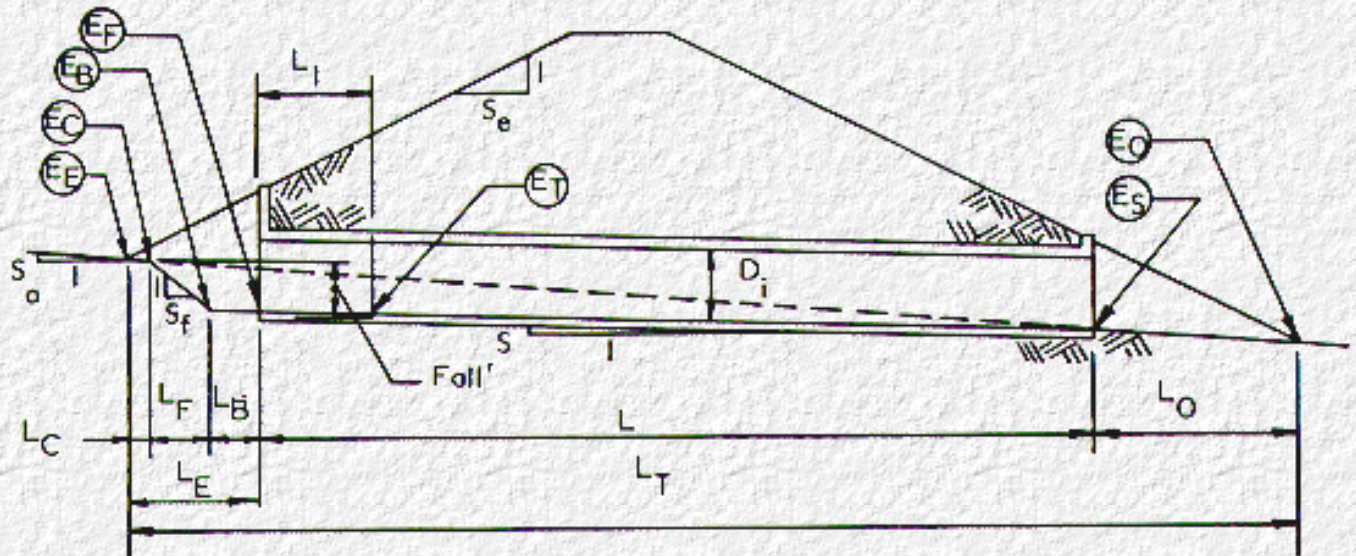
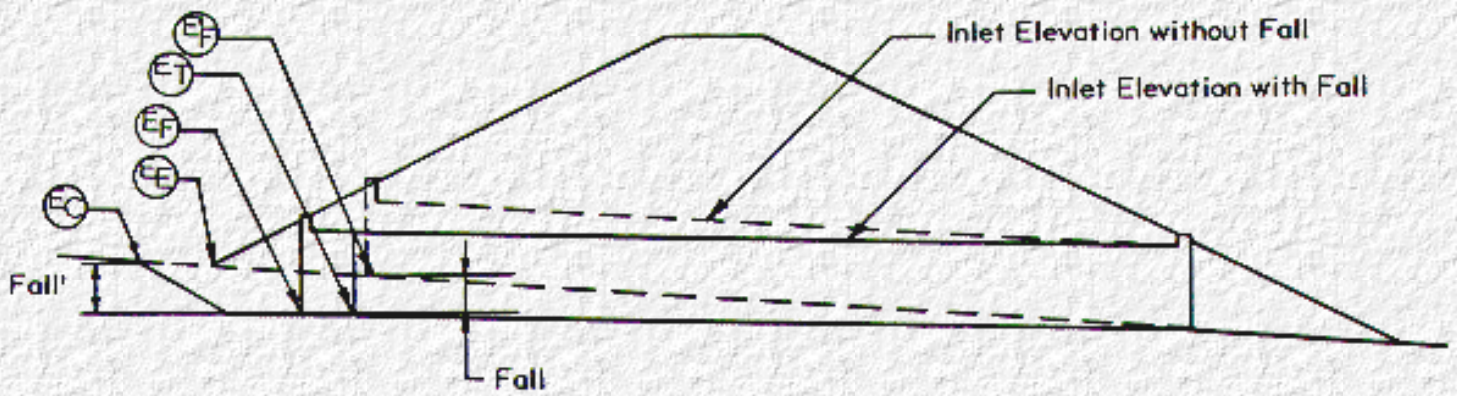
$$H(x) = H_f + L_2(1/S_f + 1/S_e) + (x - L_2)(1/S_e + S), L_2 < x < L_1 \quad \text{Equation F.10b}$$

---

## F.2 Derive Equations to Determine Elevations of Critical Points and Lengths of Critical Sections for Side Tapered Inlets with Fall

---

### F.2.1 Definition of Terms



Assume the following parameters are known:

Slopes: Stream bed ( $S_o$ ), Fall ( $S_f$ ), Embankment ( $S_e$ )

Lengths:  $L_i$ ,  $L_T$ , and vertical "Fall"

Elevations: Points  $E_E$ ,  $E_O$

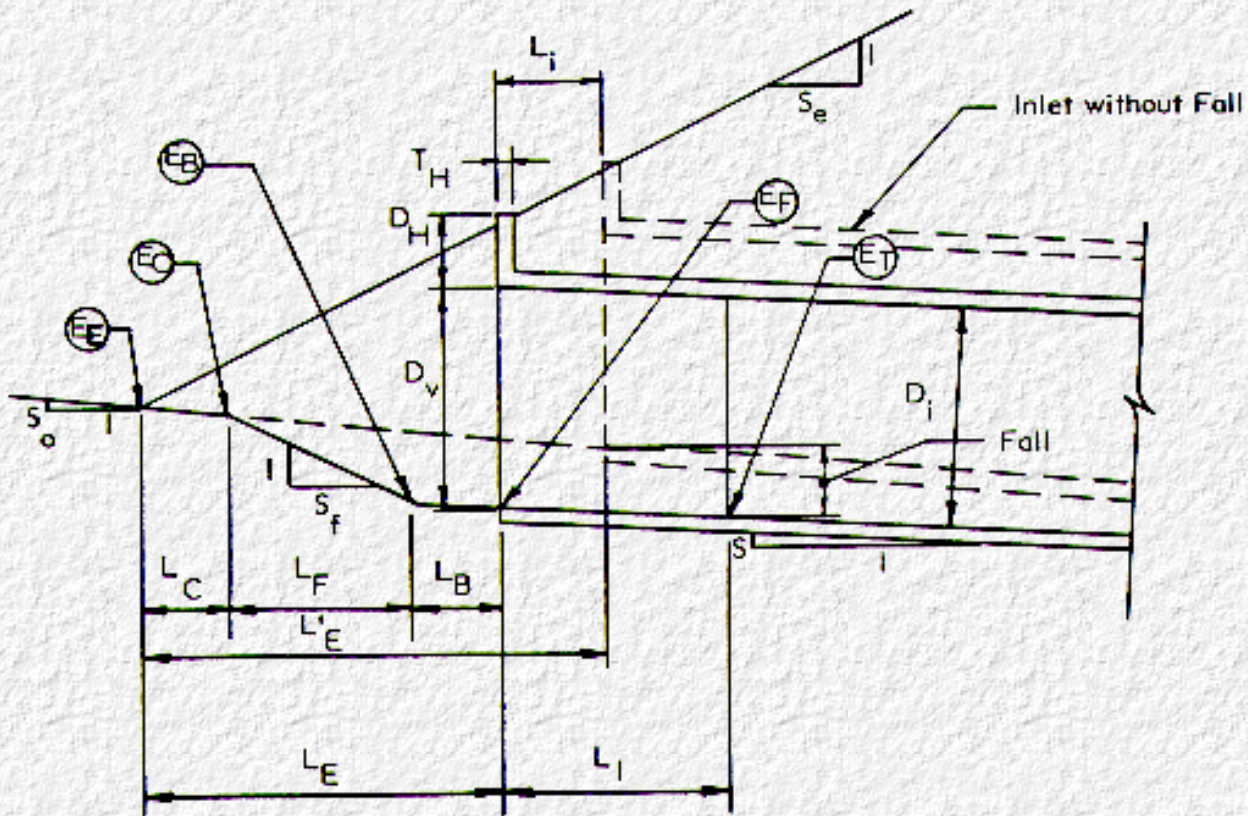
Determine the following variables:

Slopes: Barrel ( $S$ )

Lengths:  $L_C$ ,  $L_F$ ,  $L_B$ ,  $L$ ,  $L_O$

Elevations:  $E_C$ ,  $E_B$ ,  $E_F$ ,  $E_T$

## F.2.2 Determine Lengths



$T_H$ : Selected by designer

$D_H = D_i/12$ , (or selected by designer, 12 in. min.)

$D_V = D_i \sqrt{S^2 + 1} \approx D_i$  (0.5% error for  $S = 0.10$ )

$L_B = D_i/2$  minimum, selected by designer

$$L_O = \frac{S_e (D_{Vo} + D_{Ho}) - T_H}{1 - S_e S_o}$$

For inlet location without Fall:

$$L'_E = \frac{1}{1 + S_e S_o} \left[ S_e (D_V + D_H) - T_H \right]$$

Eq. F.11



Due to the increased number of variables, the remaining parameters are most easily determined by an iterative process.

a. Estimate barrel slope S

$$S \approx \frac{(L_T - L_O - L'_E) S_o - \text{Fall}}{L_T - (L_O + L_B + L_1)} \quad \text{Equation F.12}$$

b. Determine remaining lengths

$$L_i = \left[ \text{Fall} - L_1 S + (D_V + D_H) \left( \sqrt{s_o^2 + 1} - \sqrt{s^2 + 1} \right) \right] S_e \quad \text{Equation F.13}$$

$$L_C = L'_E - L_B - L_i - \frac{S_f [\text{Fall} - S(L_1 + L_B) + S_o(L_i + L_B)]}{1 - S_o S_f} \quad \text{Equation F.14}$$

$$\text{Fall}' = \text{Fall} + S_o (L'_E - L_C) \quad \text{Equation F.15}$$

$$L_F = [\text{Fall}' - S(L_B + L_1)] S_f \quad \text{Equation F.16}$$

$$L_E = L_B + L_C + L_F \quad \text{Equation F.17}$$

Note:  $L_E$  and/or  $L_C$  may be negative indicating that the points  $E_F$  and/or  $E_C$  are located outside the toe of the embankment (to the left of point  $E_E$  in the figure on [Section F.2.1](#))

$$L = L_T - (L_O + L_E) \quad \text{Equation F.18}$$

c. Check result, calculate  $\Delta$

$$\Delta = S_o(L_T - L_O - L_C) - S(L + L_B) - L_F/S_f \quad \text{Equation F.19}$$

d. if  $\Delta > 0.01$ , calculate a new S

$$S = \frac{SL + \Delta}{L} \quad \text{Equation F.20}$$

Repeat steps b and c. This iteration will normally close with one additional cycle. See Example

### F.2.3 Determine Elevations

$$\text{El. } E_C = \text{El. } E_E - S_o L_C \quad \text{Equation F.21}$$

$$\text{El. } E_B = \text{El. } E_C - L_F/S_f \quad \text{Equation F.22}$$

$$\text{El. } E_F = \text{El. } E_B - S L_B \quad \text{Equation F.23}$$

$$\text{El. } E_T = \text{El. } E_F - S L_1 \quad \text{Equation F.24}$$

$$\text{El. } E_S = \text{El. } E_O - S L_O \quad \text{Equation F.25}$$

## F.2.4 Determine Height of Fill over Inlet at Face( $H_f$ ) and along Length $H(x)$ Where $x$ Is the Horizontal Distance from the Face of the Culvert

$H_f$  varies with site conditions and height of headwall. Must include any surcharge loads being considered.

$$H(x) = H_f + x(S + 1/S_e)$$

Equation F.26

## F.2.5 Example - Side Tapered Inlet with Fall

a. Given

$$\begin{array}{llll} D_i = B_i & = & 4.0 \text{ ft} & S_o = 0.05 & \text{El. } E_E & = & 17.5 \text{ ft} \\ L_T & = & 350 \text{ ft} & S_e = 2 & \text{El. } E_O & = & 0.0 \text{ ft} \\ L_I & = & 4.0 \text{ ft} & S_f = 2 & & & \\ \text{Fall} = 1.5 D_i & = & 6.0 \text{ ft} & & & & \end{array}$$

b. Designer selected parameters

$$D_V \approx D_i = 4.0 \text{ ft}$$

$$D_H = \frac{D_i}{12} = \frac{4.0}{12} = 0.33 \text{ ft} \Rightarrow \text{Use } 1.0 \text{ ft min.}$$

$$T_H = 1.0 \text{ ft (for simplicity)}$$

$$L_B = \frac{D_i}{2} = 2.0 \text{ ft}$$

c. Determine remaining variables

$$\begin{aligned} L_O &= \frac{1}{1 - S_e S_o} \left[ S_e (D_V + D_H) - T_H \right] \\ &= \frac{1}{1 - 2(0.05)} \left[ 2(4.0 + 1.0) - 1.0 \right] = 10.0 \text{ ft} \end{aligned}$$

$$L'_E = \frac{1}{1 + S_e S_o} \left[ S_e (D_V + D_H) - T_H \right]$$

$$= \frac{1}{1 + 2(0.05)} \left[ 2(4 + 1) - 1 \right] = 8.18 \text{ ft}$$

$$S \approx \frac{(L_T - L_O - L'_E) S_o - \text{Fall}}{L_T - (L_O + L_B + L_I)} = \frac{(350 - 10 - 8.18) 0.05 - 6.0}{350 - (10 + 2 + 4)} = 0.0317$$

$$L_i = \left[ \text{Fall} - L_I S + (D_V + D_H) (\sqrt{S_o^2 + 1} - \sqrt{S^2 + 1}) \right] S_e$$

$$= \left[ 6.0 - 4.0(0.0317) + (4 + 1)(\sqrt{0.05^2 + 1} - \sqrt{0.0317^2 + 1}) \right] 2 = 11.75 \text{ ft}$$

$$L_C = L'_E - L_B - L_i - \frac{S_f \left[ \text{Fall} - S(L_I + L_B) + S_o(L_i + L_B) \right]}{1 - S_o S_f}$$

$$= 8.18 - 2 - 11.75 - \frac{2 \left[ 6 - 0.0317(4+2) + 0.05(11.75+2) \right]}{1 - (0.05) 2} = -20.01 \text{ ft}$$

$$\text{Fall}' = \text{Fall} + S_o(L'_E - L_C) = 7.41 \text{ ft}$$

$$L_F = \left[ \text{Fall}' - S(L_B + L_I) \right] S_f = \left[ 7.41 - 0.0317(2 + 4) \right] 2 = 14.44 \text{ ft}$$

$$L_E = L_B + L_C + L_F = 2 + (-20.01) + 14.44 = -3.57 \text{ ft}$$

$$L = L_T - (L_E + L_O) = 350.0 - (-3.57 + 10.0) = 343.57 \text{ ft}$$

d. Check  $\Delta$

$$\Delta = 0.05 \left[ 350 - 10 - (-20.01) \right] - 0.0317(343.57 + 2) - \frac{14.44}{2} = -0.174$$

e.  $\Delta > 0.01$ ; therefore, recalculate  $S$  and lengths  $L_F, L_E, L_C, L$

$$S = \frac{SL + \Delta}{L} = \frac{0.0317(343.57) + (-0.174)}{343.57} = 0.0312$$

$$L_i = \left[ 6 - 4(0.0312) + (4 + 1)(\sqrt{0.05^2 + 1} - \sqrt{0.0312^2 + 1}) \right] 2 = 11.76 \text{ ft}$$

$$L_C = 8.18 - 2 - 11.76 - \frac{2 \left[ 6.0 - 0.0312(4+2) + 0.05(11.76+2) \right]}{1 - 0.05(2)} = -20.03 \text{ ft}$$

$$\text{Fall}' = 6.0 + 0.05 [8.18 - (-20.03)] = 7.41 \text{ ft}$$

$$L_F = 7.41 - 0.0312(2 + 4) \cdot 2 = 14.45$$

$$L_E = 2 + (-20.03) + 14.45 = -3.58$$

$$L = 350 - (-3.58 + 10) = 343.58$$

f. Check  $\Delta$

$$\Delta = 0.05 \cdot 350 - 10 - (-20.03) - 0.0312(343.58 + 2) - \frac{14.45}{2} = -0.006$$

$$\Delta < 0.01, \quad \text{Okay}$$

g. Determine elevations

$$\text{El. } E_C = \text{El. } E_E - S_o L_C = 17.5 - (0.05)(-20.03) = 18.50 \text{ ft}$$

$$\text{El. } E_B = \text{El. } E_C - L_F/S_f = 18.50 - 14.45/2 = 11.28 \text{ ft}$$

$$\text{El. } E_F = \text{El. } E_B - S L_B = 11.28 - 0.0312(2) = 11.22 \text{ ft}$$

$$\text{El. } E_T = \text{El. } E_F - S L_I = 11.22 - 0.0312(4) = 11.10 \text{ ft}$$

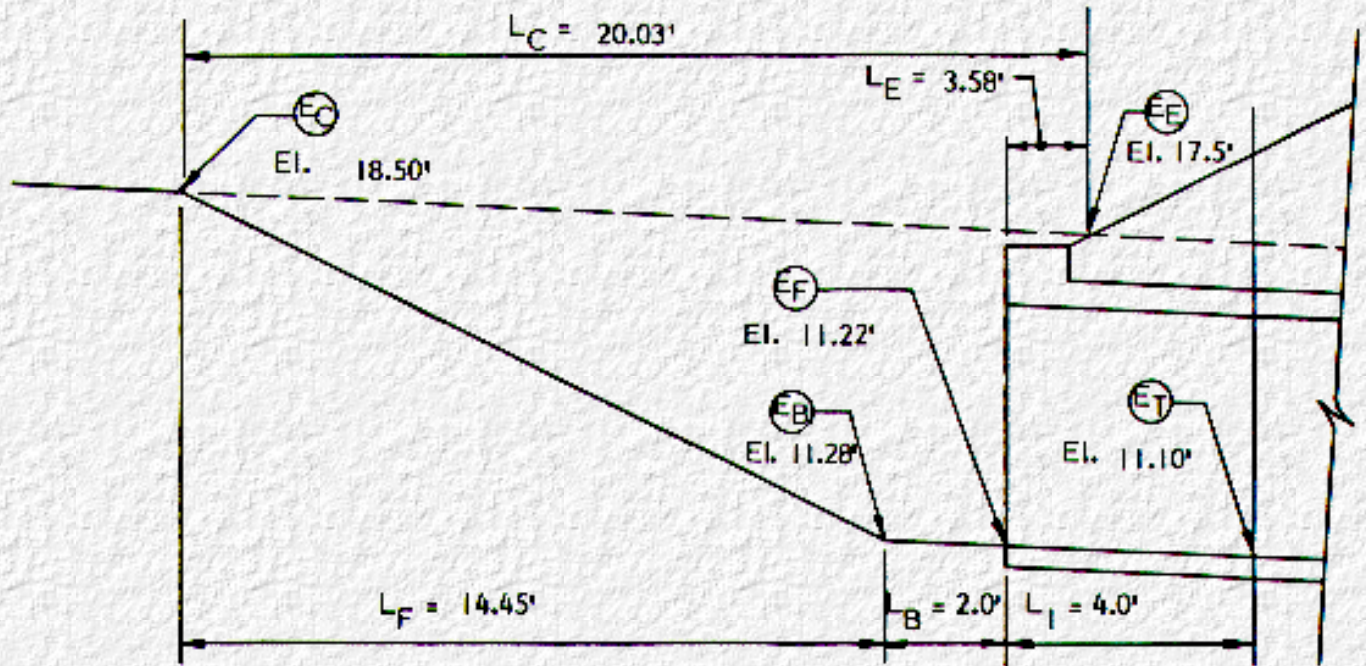
h. Determine height of fill

$$\approx 1 \text{ ft at headwall} + 2.0 \text{ ft surcharge}$$

$$H_f = 1 + 2 = 3.0 \text{ ft}$$

$$H_{\text{throat}} = 3 + 4 \left( 0.0313 + \frac{1}{2} \right) = 5.13 \text{ ft}$$

i. Summary Sketch



### F.3 Derive Equations to Determine Elevation of Critical Points and Lengths of Critical Sections for Side Tapered Inlets without Fall

Note: This case is a simplification of Case B. All the necessary equations have been derived previously, and are assembled here for simplicity.

$T_H$ : Selected by designer

$$D_H = \frac{D_i}{12}, \text{ (or as selected by the designer, 12 in. min.)}$$

$$D_V = D_i \sqrt{S^2 + 1} \approx D_i$$

$$L_E = \frac{l}{1 + S_e S_o} \left[ S_e (D_V + D_H) - T_H \right]$$

$$L_O = \frac{l}{1 - S_e S_o} \left[ S_e (D_V + D_H) - T_H \right]$$

$$L = L_T - L_E - L_O$$

$$El. E_F = El. E_E - L_E S$$

$$El. E_T = El. E_F - L_I S$$

$H_f$  varies with site conditions and height of headwall. Must include any surcharge being considered.

$$H(x) = H_f + x \left( S + \frac{l}{S_e} \right)$$

---

[Go to Appendix G](#)



# Appendix G : FHWA-IP-83-6

## Typical Details for Improved Inlets

[Go to Appendix H](#)

---

- Sheet 1. [Typical Reinforcing Layout - Side Tapered Single Cell Box Inlets](#)
  - Sheet 2. [Typical Reinforcing Layout - Side Tapered Two Cell Box Inlets](#)
  - Sheet 3. [Typical Reinforcing Layout - Slope Tapered Single Cell Box Inlets](#)
  - Sheet 4. [Typical Reinforcing Layout - Slope Tapered Two Cell Box Inlets](#)
  - Sheet 5. [Typical Reinforcing Layout - Side Tapered Reinforced Concrete Pipe Inlets](#)
  - Sheet 6. [Side Tapered Corrugated Metal Inlet](#)
  - Sheet 7. [Headwall Details for Box Inlets](#)
  - Sheet 8. [Headwall Details for Pipe Inlets](#)
  - Sheet 9. [Cantilever Wingwall Designs](#)
  - Sheet 10 [Miscellaneous Improved Inlet Details](#)
- 

[Go to Appendix H](#)



# Appendix H : FHWA-IP-83-6

## Computer Program Listings Part I

[Go to Part II, Program Pipecar](#)

### Program BOXCAR

```
IV G LEVEL 21          MAIN          DATE = 82251          18/35/09

C
C
C   PROGRAM BOXCAR
C
C   ANALYSIS AND DESIGN PROGRAM FOR ONE CELL REINF. CONCRETE BOX SECTIONS
C
C   SUBMITTED TO FEDERAL HIGHWAY ADMINISTRATION - AUGUST 1982
C   DEVELOPED FOR FHWA PROJECT NO. DOT-FH-11-9692
C   BY SIMPSON GUMPERTZ AND HEGER INC. 1696 MASSACHUSETTS AVENUE
C                                     CAMBRIDGE, MASSACHUSETTS 02138
C   EXAMPLE STANDARD PLANS FOR IMPROVED INLETS
C
C   THIS IS THE MAIN PROGRAM. IT SEQUENTIALLY CALLS THE VARIOUS
C   SUBROUTINES NEEDED TO COMPLETE THE ANALYSIS AND DESIGN OF THE
C   ONE CELL BOX.
C
C
C   REAL*4 JLOAD(12,5)
C   REAL*4 INER(4,5),KAA(4,3,3),KAB(4,3,3),KBA(4,3,3),KBB(4,3,3)
C   INTEGER ISDATA(35),IRDATA(35)
C   INTEGER ICON(6)
C
C   COMMON/RSCALE/SPAN,RISE,TT,TR,TS,GAMAC,GAMAS,GAMAF,PG,H,HH,HV,Q,
C 1 ZFTA,BETA,DF,Q1,EC,ES,FY,FCP,FLMV,FLN,Q2,Q3,NLAY,RTYPE,Q4,Q5,
C 2 CT(6),SDATA(35)
C
C   COMMON/RARRAY/U(12,5),W1(4,5),W2(4,5),A(4,5),B(4,5),C(4,5),
C 1 PMEMB(4,25),X(50,4)
C
C   COMMON/RARRAY/INER,KAA,KAB,KBA,KBB
C
C   COMMON/ANAL/JLOAD,STIF(12,12),FIXM0(4,5,4),DM(6),DV(6),DP(6),
C 1 AS(5),SRATIO(6)
C
C   COMMON/ISCALE/NIT,NOLD,IDBUG,IR,IW,ITAPE,IPATH,ICYC,NINT
C
C   COMMON/IARRAY/MEMB(4,2)
C
C   COMMON/HARRAY/AMOM(20,5),V(20,5),P(3,5),FXLA(4,5),FYLA(4,5)
C 1 ,BMA(4,5),FXLB(4,5),FYLB(4,5),BMB(4,5),ENOM(20,5),ENOV(20,5),
C 2 GRM1(20),GRV1(20),GRP1(3),GRV2NG(20),GRM2NG(20),GRV2PL(20)
C 3 ,GRM2PL(20),GRP2PL(3),GRP2NG(3),FPMIN(3),FVPIA(20),FMMIA(20),
C 4 FPMAX(3),FVMAX(20),FPMAX(20),ZMOM1,ZMUMB,XL(20)
C
C   COMMON/IFLAGS/IRDATA,ISDATA,ICON
```



C \*\*\*\*\*END OF COMMON \*\*\*\*\*  
C

IV 6 LEVEL 21 MAIN DATE = 82251 18/35/09

C INTERNAL UNITS ARE KIPS, AND INCHES  
C

```
IR=5  
IW=6  
4 IPATH=1  
1 CALL RREAD(ISTOP)  
GO TO (2,5),ISTOP  
2 CALL INIT  
IF(IPATH.LE.0)GO TO 4  
CALL DESIGN  
IF(IPATH.LE.0)GO TO 4  
CALL OUTPUT  
GO TO 1  
3 CONTINUE  
END
```

V 6 LEVEL 21 RREAD DATE = 82251 18/35/09

SUBROUTINE RREAD(ISTOP)

C  
C THIS ROUTINE READS ALL THE INPUT IN A SPECIFIED FORMAT AND  
C TRANSFERS THE DATA INTO THE BDATA AND SDATA ARRAYS. THE EXECUTION OF RREAD  
C IS CONTROLLED BY THE KODE VARIABLE ON THE INPUT CARDS. A KODE  
C GREATER THAN 13 SIGNALS THE END OF THE INPUT DATA. RREAD REPRINTS  
C THE INPUT CARDS AS IT READS THEM AS A CHECK FOR THE USER.  
C

```
INTEGER ISDATA(35),IBDATA(35)  
COMMON /IFLAGS/ IBDATA,ISDATA  
COMMON /RSCALE/ BDATA(35),SDATA(35)  
COMMON /ISCALE/ NIT,NOLD,IBUG,IR,IW,ITAPE,IPATH,ICYC,NINT  
DIMENSION TEXT(5),O(6)  
DIMENSION LAT(15)  
DATA LAT/3,3,2,3,4,3,1,2,6,1,2,4,4/
```

C  
C \* \* \* \* \*  
C

```
WRITE(IW,99)  
99 FORMAT(*1*)  
READ(IR,1020,END=995) (BDATA(I),I=1,20),IDBUG  
1020 FORMAT(19A4,A3,11)  
WRITE(IW,1021) (BDATA(I),I=1,20), IDBUG  
1021 FORMAT(1X,19A4,A3,11 )  
DO 5 I=1,35  
SDATA(I)=0.  
ISDATA(I)=0  
BDATA(I)=0.  
5 IBDATA(I)=0  
SLEN=12.  
SLEN2=SLEN*SLEN  
SLEN3=SLEN2*SLEN  
SLD=1000.  
1 READ( IR,1000,END=995) KODE,(TEXT(I),I=1,5),(O(I),I=1,6)  
1000 FORMAT(I2,4A4,A2,6F10.3)  
IF ( KODE.GT.13) GO TO 999  
K=LAT(KODE)  
WRITE(IW,2000) KODE,(TEXT(I),I=1,5),(O(I),I=1,K)  
2000 FORMAT(1X,I2,4A4,A2,6F10.3)  
6 CONTINUE
```

GO TO (10,20,30,40,50,60,70,80,90,100,110,120,130),KODE

C  
C SPAN,RISE, AND DEPTH OF FILL, KODE=1  
10 CONTINUE  
BDATA(1)=D(1)\*SLEN  
BDATA(2)=D(2)\*SLEN  
BDATA(10)=D(3)\*SLEN  
IBDATA(1)=1  
IBDATA(2)=1

IV G LEVEL 21 RREAD DATE = 82251 18/35/09

IRDATA(10)=1  
GO TO 1

C  
C SLAB THICKNESSES,TT,TR,TS, KODE=2  
21 CONTINUE  
BDATA(3)=D(1)  
BDATA(4)=D(2)  
BDATA(5)=D(3)  
GO 21 I=3,5  
IF (BDATA(1)) 21,21,23  
23 IRDATA(1)=1  
21 CONTINUE  
GO TO 1

C  
C HAUNCH GEOMETRY,HH,HV, KODE=3  
30 CONTINUE  
IF ( D(1),EG,0. ) D(1)=D(2)  
IF ( D(2),EG,0. ) D(2)=D(1)  
BDATA(11)=D(1)  
BDATA(12)=D(2)  
IBDATA(11)=1  
IBDATA(12)=1  
GO TO 1

C  
C DENSITIES, GAMAS,GAMAC,GAMAF, KODE=4  
40 CONTINUE  
47 BDATA(7)=D(1)/SLEN3/SLD  
IBDATA(7)=1  
42 BDATA(6)=D(2)/SLEN3/SLD  
IBDATA(6)=1  
44 BDATA(8)=D(3)/SLEN3/SLD  
IBDATA(8)=1  
GO TO 1

C  
C MINIMUM LATERAL SOIL COEFFICIENT (ZETA), MAXIMUM LATERAL SOIL  
C COEFFICIENT (CONVERTED TO RAT IN SDATA(25)), SOIL-STRUCTURE  
C INTERACTION COEFFICIENT (BETA), FLAG FOR PERMANENT SIDE LOAD  
59 CONTINUE  
IF ( D(1) ) 51,57,52  
51 IBDATA(14)=-1  
RDATA(14)=0.50  
GO TO 53  
57 BDATA(14) = D(2)  
D(4) = 1  
GO TO 53  
52 BDATA(14)=D(1)  
IBDATA(14)=1  
53 IF ( D(1) ,EG, 0.0 ) GO TO 56

SDATA(25)=D(21)/D(1) - 1.0

56 ISDATA(25) = 1  
IF ( D(14).NE.0.) IPDATA(14)=2  
IF ( D(31)=.5 ) 54,55,55

54 PUATA(15)=1.2  
IPDATA(15)=-1  
GO TO 1

55 RDATA(15)=D(13)  
IBDATA(15)=1  
GO TO 1

C  
C LOAD FACTOR, CAPACITY RED. FACTORS KODE=6  
C

60 CONTINUE  
RDATA(22)=D(1)  
RDATA(23)=D(1)  
RDATA(9)=D(2)  
RDATA(13)=D(13)  
IBDATA(22)=1  
IBDATA(23)=1  
IBDATA(9)=1  
IBDATA(13)=1  
GO TO 1

C  
C DEPTH OF FLUID, KODE=7

70 CONTINUE  
RDATA(16)=D(1)  
IBDATA(16)=1  
GO TO 1

C  
C MATERIAL STRENGTHS, FY,FCP, KODE=8

80 CONTINUE  
IF ( D(11).EQ.0.) GO TO 81  
RDATA(20)=D(1)  
IBDATA(20)=1  
81 IF ( D(2).EQ.0.) GO TO 1  
RDATA(21)=D(2)  
IBDATA(21)=1  
GO TO 1

C  
C CONCRETE COVER, KODE=5

90 CONTINUE  
DO 95 I=1,6  
IF ( D(I))95,95,92  
92 BDATA(29+I)=D(I)  
IBDATA(29+I)=1  
95 CONTINUE  
GO TO 1

```

C
C   CRACK FACTOR                               KODE=10
C
100 CONTINUE
   RDATA(24)=D(1)
   IRDATA(24)=1
   GO TO 1
C
C   REINFORCING TYPE AND NUMBER OF LAYERS
C
110 CONTINUE
   RDATA(26)=D(1)
   RDATA(27)=D(2)
   IRDATA(26)=1
   IRDATA(27)=1
   GO TO 1
C
C   WIRE DIAMETERS KODE=12
C
120 CONTINUE
   DO 121 I=5,6
   IF (D(I-2)) 121,121,122
122 SDATA(I)=D(I-2)
   ISDATA(I)=1
121 CONTINUE
   IF (ISDATA(3) .NE. 1) GO TO 1
   ISDATA(1)=1
   ISDATA(2)=1
   SDATA(1)=D(1)
   SDATA(2)=D(1)
   GO TO 1
C
C   WIRE SPACING, KODE=13
C
130 CONTINUE
   DO 135 I=9,12
   IF (D(I-8)) 135,135,133
133 SDATA(I)=D(I-8)
   ISDATA(I)=1
135 CONTINUE
   IF (ISDATA(9) .NE. 1) GO TO 1
   ISDATA(7)=1
   ISDATA(8)=1
   SDATA(7)=D(1)
   SDATA(8)=D(1)
   GO TO 1
C
C   END OF DATA, KODE=61,13
C
999 CONTINUE
   WRITE(IW,2000) KODE,(TEXT(I),I=1,5)
994 CONTINUE

```

```

   ISTOP=1
   GO TO 996
995 ISTOP=2
996 CONTINUE
   RETURN
   END

```

## SUBROUTINE INIT

C  
 C THIS SUBROUTINE FILLS OUT THE B DATA AND SDATA ARRAYS, WHERE  
 C NEEDED, IT CALCULATES VALUES FROM INPUT AND INSERTS THEM INTO  
 C THE APPROPRIATE ARRAY.  
 C INIT ASSIGNS DEFAULT VALUES ON THE FOLLOWING BASIS:  
 C IBDATA(\*) OR ISDATA(\*)=1 -VALUE HAS BEEN INPUT NO VALUE NEEDED  
 C IPDATA(\*) OR ISDATA(\*)=0 -VALUE HAS NOT BEEN INPUT, DEFAULT VALUE  
 C GIVEN TO BDATA(\*) OR SDATA(\*); IBDATA(\*) OR IPDATA(\*) IS THEN  
 C SET EQUAL TO -1.  
 C THIS ROUTINE ALSO CHECKS FOR ERROR CONDITIONS IN THE INPUT DATA  
 C AND PRINTS THE BDATA AND SDATA ARRAYS FOR AN IOELG VALUE GREATER  
 C THAN 0.  
 C  
 C

INTEGER ISDATA(35),IPDATA(35)  
 COMMON /IFLACS/ IBDATA,ISDATA  
 COMMON /RSCALE/ BDATA(35),SDATA(35)  
 COMMON /ISCALE/ NIT,HOLD,IBUG,IR,IW,ITAPE,IPATH,ICYC,NINT  
 COMMON /IARRAY/ MEMB(4,2)  
 COMMON /RAARRAY/ FIL(160),PMEMB(4,25)  
 EQUIVALENCE (P,BDATA(10))  
 EQUIVALENCE (RDATA(1),SPAN),(RDATA(2),RISE)  
 EQUIVALENCE (TT,RDATA(3)),(TB,RDATA(4)),(TS,RDATA(5)),(HH,  
 1 RDATA(11)),(HV,RDATA(12))  
 DIMENSION ASSUME(35)

C  
 DIMENSION SOURCE(8)  
 DATA SOURCE/4MINPU,4HT ,4HNO V,4HVALUE,4HASSU,4HMED ,4H FL,  
 1 4HAG /  
 REAL\*8 SCRIPT(75), TTEXT(75)  
 DATA SCRIPT/8PINSIDE S,8SPAN (IN),8HINSIDE R,8RISE (IN),  
 1 8HTOP SLAB,8PTHK (IN),8HBOT SLAB,8HTHK (IN),8H SIDE WAL,  
 1 8H L T (IN),8H CONC UNI,8HT WT KCI,8H SOIL UNI,8HT WT KCI,  
 1 8H FLUID UN,8HT WT KCI,8H FLEX CAP,8H RED FACT,8H BURIAL D,  
 1 8H EPTH IN,8H HORIZ HA,8H UNCH IN,8H VERT HAU,8H FACH IN,  
 1 8H SHEAR CA,8H P RED FR,8H LAT SOIL,8H PRESS CC,8H SOIL-STR,  
 1 8H INT COP,8H FLUID DE,8H PTH (IN),8H \*\*\*EMPTY,8H \*\*\*\*\*  
 1 8H CONCRETE,8H E (KSI),8H STEEL E ,8H (KSI) ,8H STEEL ST,  
 1 8H R (KSI),8H CONCRETE,8H STR KSI,8H LOAD FAC,8H TOR M,V ,  
 1 8H LOAD FAC,8H TOR P ,8H .01 CRAC,8H K FACTOR,8H \*\*\*EMPTY,  
 1 8H \*\*\*\*\* ,8H LAYERS,8H DF REINF,8H REINFORC,8H ING TYPE,  
 1 8H \*\*\*EMPTY,8H \*\*\*\*\* ,8H \*\*\*EMPTY,8H \*\*\*\*\* ,8H TOP OUT ,  
 1 8H CVR (IN),8H SIDE OUT,8H CVR IN ,8H BOT OUT ,8H CVR (IN),  
 1 8H TOP INS ,8H CVR (IN),8H BOT INS ,8H CVR (IN),8H SIDE INS,  
 1 8H CVR IN  
 DATA TTEXT/8HWIRE DIA,8H OUT TOP,8HWIRE DIA,8H OUT SDE,8HWIRE DIA,  
 1 8H OUT BOT,8HWIRE DIA,8H INS TOP,8HWIRE DIA,8H INS BOT,



```

ASSUME(35)=1.
DO 10 I=3,16
IF (IBDATA(I) ) 10,9,10
9 IBDATA(I)=-1
BDATA(I)=ASSUME(I)
10 CONTINUE
DO 20 I=20,24
IF ( IBDATA(I) ) 20,19,20
15 IBDATA(I)=-1
BDATA(I)=ASSUME(I)
20 CONTINUE
DO 22 I=26,27
IF ( IBDATA(I) ) 22,21,22
21 IBDATA(I)=-1
BDATA(I)=ASSUME(I)
22 CONTINUE
DO 24 I=30,35
IF (IBDATA(I)) 24,23,24
23 IBDATA(I)=-1
BDATA(I)=ASSUME(I)
24 CONTINUE
BDATA(19)=29000.
BDATA(18)=(BDATA(6)*1728000.)*1.5*33.*SQRT(BDATA(21)*1000.)/
1 1000.
IBDATA(19)=-1
IBDATA(18)=-1

```

C

C

```

INITIALIZE PMEMB(I,J)
GO TO 81
80 CONTINUE
Q1=0.
Q2=0.
GO TO 82
81 IF ((HH.EQ.0.).OR.(HV.EQ.0.)) GO TO 80
Q1=HH/HV/2.
Q2=HV*TS/HH/2.
82 D1=TS+HH+Q1*TT
D2=TT+HV+Q2
D3=TE+HV+Q2
D4=TS+HH+Q1*TE
PMEMB(1,1)=D2
PMEMB(2,1)=D1
PMEMB(3,1)=D3
PMEMB(4,1)=D4
PMEMB(1,2)=D2
PMEMB(2,2)=D4
PMEMB(3,2)=D3
PMEMB(4,2)=D1

```

```

PMEMB(1,3)=TT
PMEMB(2,3)=TS
PMEMB(3,3)=TB
PMEMB(4,3)=TS
Q1=SPAN+TS
Q2=RISE+(TT+TB)/2.
PMEMP(1,4)=Q1
PMEMB(2,4)=Q2
PMEMP(3,4)=Q1
PMEMP(4,4)=Q2
PMEMB(1,5)=HH+TS/2.
PMEMB(2,5)=HV+TT/2.
PMEMB(3,5)=HH+TS/2.
PMEMB(4,5)=HV+TB/2.
PMEMB(1,6)=HH+TS/2.
PMEMB(2,6)=HV+TB/2.
PMEMB(3,6)=HH+TS/2.
PMEMB(4,6)=HV+TT/2.
GO TO 149
100 CONTINUE
WRITE(IW,999)
WRITE(IW,1000)
1000 FORMAT(* SPAN, RISE, AND DEPTH OF FILL MUST BE GIVEN.*)
WRITE(IW,1010)
IPATH=-1
GO TO 150
101 CONTINUE
SPAN=SPAN/12.
WRITE(IW,999)
WRITE(IW,1001) SPAN
1001 FORMAT(* PERMITTED RANGE OF SPANS IS 3 FT TO 20 FT. SPAN GIVEN AS)
1 *F20.3)
WRITE(IW,1010)
IPATH=-1
GO TO 150
102 CONTINUE
WRITE(IW,999)
RISE=RISE/12.
WRITE(IW,1002) RISE
1002 FORMAT(* PERMITTED RANGE OF RISES IS 2 FT TO 20 FT. RISE GIVEN AS)
1 *F20.3)
WRITE(IW,1010)
IPATH=-1
999 FORMAT(* *** INPUT ERROR ***)
1010 FORMAT(* EXECUTION FOR THIS PROBLEM HAS BEEN TERMINATED.*)
GO TO 150
149 CONTINUE
B=AMAX1(TT,TB,TS)

```



```

ASSUME(1)=0.08*TT
ASSUME(2)=0.08*B
ASSUME(3)=0.08*B
ASSUME(4)=0.08*TT
ASSUME(5)=0.08*TB
ASSUME(6)=0.08*TS
DO 31 I=7,12
ASSUME(I)=2.
31 CONTINUE
DO 33 I=1,12
IF ( ISDATA(I) ) 34,32,34
32 ISDATA(I)=-1
ISDATA(I+29)=-1
SDATA(I)=ASSUME(I)
IF (I .GT. 6) GO TO 33
34 CONTINUE
A=TT
IF (I .EQ. 2 .OR. I .EQ. 6 ) A=TS
IF (I .EQ. 3 .OR. I .EQ. 5 ) A=TB
SDATA(29+I)=A-BDATA(29+I)-SDATA(I)/2.
IF (ISDATA(I+29) .NE. -1) ISDATA(I+29)=1
33 CONTINUE
IF ( ISDATA(25) .EQ. 0.) GO TO 994
GO TO 994
994 SDATA(25) = 0.5/BDATA(14) - 1
ISDATA(25)=-1
WRITE(IW,4050)
4050 FORMAT(//////,3X,69(1H*),/,3X,1H*,67X,1H*,/,3X,1H*,1X,
1*ALL INFORMATION PRESENTED IS FOR REVIEW, APPROVAL, INTERPRETATION
2 *,/,3X,* AND APPLICATION BY A REGISTERED ENGINEER.*,25X,1H*,/,
33X,1H*,67X,1H*,/,3X,69(1H*))
996 IF ( IDBUG.EQ.0) GO TO 901
WRITE(IW,99)
99 FORMAT(1H1,//////,T43,*MAP OF RDATA AND SDATA ARRAYS*,// )
WRITE(IW,3001)
3001 FORMAT(*0*,T10,*PARAMETER*,T28,*DATA*,T37,*SOURCE*,T73,
1 *PARAMATER*,T93,*DATA*,T102,*SOURCE* )
DO 900 I=1,35
JF = 1 * 2 - 1
KF = 1 * 2
IF (IRDATA(I)) 702, 701, 700
700 J = 1
IF (IRDATA(I) .EQ. 2 ) J = 7
GO TO 703
701 J = 3
GO TO 703
702 J = 5
703 IF (ISDATA(I)) 706,705,704

```

DEBUG

DEBUG

DEBUG

```

704 N = 1
    GO TO 707
705 N = 3
    GO TO 707
706 N = 5
707 J1 = J + 1
    N1 = N + 1
    WRITE(IW,3000)I,(SCRIPT(K),K=JF,KF),BDATA(I),(SOURC(K),K=J,J1),
1 I,(TTEXT(K),K=JF,KF),SDATA(I),(SOURCE(K),K=N,N1)
3000 FORMAT(' ',I2,3X,2A8,E12.5,2X,2A4,T65,I2,3X,2A8,E12.5,2X,2A4)
900 CONTINUE
901 CONTINUE
150 CONTINUE
    RETURN
    END

```

DEBUG

## SUBROUTINE DESIGN

```

C
C THIS SUBROUTINE SEQUENTIALLY CALLS OTHER SUBROUTINES IN ORDER TO
C COMPLETE THE ANALYSIS AND DESIGN OF THE ONE CELL BOX.
C A PRINTOUT OF THE X,Y DEFLECTIONS AND ROTATIONS FOR EACH MEMBER
C AND LOADING CASE IS AVAILABLE WITH AN IDBUG VALUE GREATER THAN 2.
C
COMMON/RARRAY/U(12,5),FIL(100),PMEMB(4,25)
COMMON/RSCALE/SPAN,RISE,IT,IB,TS,GAPAC,GAMAS,GAMAF,P0,H,HH,HV,Q,
1 ZETA,BETA,DF,Q1,EC,ES,FY,FCP,FLMV,FLN,Q2,Q3,NLAY,RTYPE,Q4,Q5,
2 CY(6),SDATA(35)
COMMON/ANAL/P(12,5),STIF(12,12),FIXMO(4,5,4),DM(6),DV(6),DP(6),
IAS(6),SKAT(16)
COMMON /ISCALE/NIT,NCLD,IDBUG,IR,IW,ITAPE,IPATH,ICYC,MINT
C
ICYC=0
1 CONTINUE
DO 2 I=1,4
CALL GENJS(I)
2 CONTINUE
C
CALL GSTIF
C
CALL GENLD
C
CALL MATMP(STIF,9,P, 5,U,12)
C EXPAND DISPLACEMENT MATRIX FOR REACTION COMPONENTS
DO 10 J=1,5
U(12,J)=U(5,J)
U(10,J)=U(8,J)
U(9,J)=U(7,J)
U(7,J)=0.
U(8,J)=0.
U(11,J)=0.
10 CONTINUE
IF (IDBUG.LT.3) GO TO 12
WRITE(IW,99)
99 FORMAT('1',/// )
WRITE(IW,1000)
1000 FORMAT('0',T29,'DISPLACEMENT MATRIX - INCHES AND RADIAN',
1 //,T30,'LOAD CASE',/,T2,' NODE ',T18,'1',T30,'2',T42,'3',T54,
2 //,T66,'5')

```

```
DO 11 J = 1, 4  
  JA = J*3-2  
  JB = J*3-1  
  JC = 3*J  
  WRITE(6,1002) J, (U(JA,K),K=1,5)  
  WRITE(6,1003)   (U(JB,K),K=1,5)
```

IV G LEVEL 21

DESIGN

DATE = 82251

18/35/09

```
  WRITE(6,1004)   (U(JC,K),K=1,5)  
1002 FORMAT(T5,I1,T10,'X',T13,5(F10.4,2X))  
1003 FORMAT(T10,'Y',T13,5(E10.4,2X))  
1004 FORMAT(T8,'ROT',T13,5(E10.4,2X))  
  11 CONTINUE  
  12 CONTINUE
```

C

```
  CALL ENDF0  
  CALL SIMSPN  
  CALL FMXMN  
  IF (IPATH .LE. 0) RETURN
```

C

```
  CALL DESCK  
  RETURN  
  END
```

## SUBROUTINE GENJS(M)

```

C
C GENERATES FLEXIBILITY COEFFICIENTS FROM ONE CELL BOX GEOMETRY.
C FOR MEMBERS WITH LINEARLY VARYING FALUCHES THESE COEFFICIENTS ARE
C DETERMINED BY NUMERICAL INTEGRATION.
C
C THE INTEGRATION POINTS ARE NOT AT EQUAL INTERVALS
REAL*4 M1(50),M2(50),M3(50),M4(50),M5(50),M6(50)
REAL*4 INER(4,50)
COMMON /RSCALE/ BDATA(35)
COMMON /RARRAY/ FIL(160),PMEMB(4,25),XX(50,4),INER
COMMON /ISCALE/ N
N=50
EQUIVALENCE (BDATA(11),HF), (BDATA(12),HV), (BDATA(18),EC)
DA=PMEMB(M,1)
DB=PMEMB(M,2)
DC=PMEMB(M,3)
SP=PMEMB(M,4)
ALA=PMEMB(M,5)
ALB=PMEMB(M,6)
X1=ALA
Y2=SP-ALB
CA=(DA-DC)/ALA
CB=(DB-DC)/ALB
IF ((HF.EQ.0.).OR.(HV.EQ.0.)) GO TO 5
DX1=ALA/5.
DX2=(SP-ALA-ALB)/39.
DX3=ALB/5.
GO TO 6
5 DX1=SP/49.
DY2=DX1
DX3=DX1
6 X=-DX1
DO 10 I=1,6
X=X+DX1
D=DA-CA*X
INER(M,I)=D*D*D*EC
XX(I,M)=X
10 CONTINUE
DO 11 I=7,45
X=X+DX2
D=DC
INER(M,I)=D*D*D*EC
XX(I,M)=X
11 CONTINUE
DO 12 I=46,50
X=X+DX3
D=DC+CB*(X-X2)

```

```

      INER(M,I)=D*D*D*EC
      XX(I,M)=X
12  CONTINUE
      DO 20 I=1,N
      X=XX(I,M)
      D=SP-X
      M1(I)=1.
      M2(I)=D
      M3(I)=X
      M4(I)=D*D
      M5(I)=D*X
      M6(I)=X*X
20  CONTINUE
      PMEMB(M,7)=TRAP(M1,N,SP,M)
      PMEMB(M,8)=TRAP(M2,N,SP,M)
      PMEMB(M,9)=TRAP(M3,N,SP,M)
      PMEMB(M,10)=TRAP(M4,N,SP,M)
      PMEMB(M,11)=TRAP(M5,N,SP,M)
      PMEMB(M,12)=TRAP(M6,N,SP,M)
      RETURN
      END

```

```

      FUNCTION TRAP(MOM,N,S,M)
C
C  USES THE TRAPEZOIDAL RULE WITH 50 INTEGRATION POINTS TO OBTAIN
C  THE FLEXIBILITY COEFFICIENTS
C
C  THIS IS THE 2ND VERSION OF THIS PROGRAM
C  THE INTEGRATION POINTS ARE NOT AT EQUAL INTERVALS
      REAL*4 INER(4,50),MOM(1)
      COMMON /HARRAY/ FL(260),X(50,4),INER
      K=N-1
      H=S/K
      TRAP=0.
      DO 1 J=1,K
      TRAP=TRAP+(MOM(I)/INER(H,I)+MOM(I+1)/INER(H,I+1))*
1  (X(I+1,M)-X(I,M))
1  CONTINUE
      TRAP=0.5*TRAP
      RETURN
      END

```

## SUBROUTINE GSTIF

C  
C  
C  
C  
C  
C

GENERATES STIFFNESS MATRIX  
FLEXIBILITY COEFFICIENTS ARE INVERTED AND ASSEMBLED TO OBTAIN  
STIFFNESS MATRIX

COMMON/RS/SCALE/SPAN,RISE,TT,TB,TS,GAMAC,GAMAS,GAMAF,PO,H,HH,HV,0,  
1 ZETA,BETA,DF,W1,EC,ES,FY,FCP,FLNV,FLN,Q2,Q3,NLAY,RTYPE,G4,G5,  
2 CT(6),SDATA(35)  
COMMON/RARRAY/U(12,5),W1(4,5),W2(4,5),A(4,5),B(4,5),C(4,5),  
1 PMEMB(4,25),X(50,4)  
COMMON /ANAL/FIL(60) ,STIF(12,12)  
COMMON /ISCALE/NIT,NOLD,IDBUG,IR,IW,ITAPE,IPATH,ICYC,NINT  
DIMENSION F(3,3),AK(3,3),UN(3,3)

C

DO 8 I=1,12  
DO 8 J=1,12  
8 STIF(I,J)=0.  
DO 10 I=1,4  
GENERATE SCRIPT F  
DO 6 J=2,3  
F(J,1)=0.  
F(1,J)=0.  
AK(1,J)=0.  
AK(J,1)=0.

C

6 CONTINUE  
F(3,3)=PMEMB(I,7)  
F(2,3)=PMEMB(I,8)  
F(2,2)=PMEMB(I,10)  
F(3,2)=F(2,3)  
DC=PMEMB(I,5)+12.  
SP=PMEMB(I,4)  
F(1,1)=SP/DC/EC  
C INVERT F TO GET AK  
DELTA=F(2,2)\*F(3,3) -F(2,3)\*F(3,2)  
AK(1,1)=1./F(1,1)  
AK(2,2)=F(3,3)/DELTA  
AK(3,3)=F(2,2)/DELTA  
AK(2,3)=-F(2,3)/DELTA  
AK(3,2)=AK(2,3)  
CALL ASSEM(I,AK)

C

10 CONTINUE

C

REMOVE REACTION COMPONENTS  
DO 12 J=1,12  
STIF(7,J)=STIF(9,J)  
STIF(8,J)=STIF(10,J)

```

      STIF(9,J)=STIF(12,J)
12  CONTINUE
      DO 13 I=1,12
      STIF(I,7)=STIF(I,9)
      STIF(I,8)=STIF(I,10)
      STIF(I,9)=STIF(I,12)
13  CONTINUE
      CALL CROUT(STIF,9,12)
      RETURN
      END

```

```

      SUBROUTINE ASSEM(M,AK)

```

```

C
C  ASSEMBLES THE MEMBER STIFFNESS MATRICES INTO A GLOBAL STIFFNESS
C  MATRIX
C
C
C
      REAL*4  KAA(4,3,3),KAB(4,3,3),KBA(4,3,3),KBB(4,3,3)
      COMMON /RARRAY/FIL(160),PMEMB(4,25),FIL1(400),KAA,KAB,KBA,KBB
      COMMON /IARRAY/MEMB(4,2)
      COMMON /ISCALE/UNIT,NOLO,IDRUG,IR,IW,ITAPE,IPATH,ICYC,NINT
      COMMON /ANAL/ FIL2(60),STIF(12,12)
      DIMENSION D(3,3),AK(3,3)
C
C  * * * * *
      JTA=MEMB(M,1)
      JTB=MEMB(M,2)
      SP=PMEMB(M,4)
      IRAA=3+(JTA-1)
      IRBB=3+(JTB-1)
C.....FORM KBA
      DO 1 I=1,3
      DO 1 J=1,3
      1  D(I,J)=AK(I,J)
      DO 11 I=1,3
      DO 26 I=1,3
      DO 26 J=1,3
      26  KBA(M,1,J)=D(I,J)
      IF (M.NE.1) CALL ROT3(M,D)
      DO 4 I=1,3
      IROW=IRAA+I
      DO 6 J=1,3
      ICOL=IRBB+J
      8  STIF(ICOL,IROW)=STIF(ICOL,IROW)+D(J,I)
C
C.....FORM KAB
      DO 3 I=1,3
      DO 3 J=1,3
      3  D(I,J)=KBA(M,J,I)
      DO 13 I=1,3
      DO 13 J=1,3
      13  KAB(M,1,J)=D(I,J)
      IF (M.NE.1) CALL ROT3(M,D)
      DO 6 I=1,3
      IRCW=IRAA+I
      DO 6 J=1,3
      ICOL=IRBB+J
      6  STIF(IRCW,ICOL)=STIF(IRCW,ICOL)+D(I,J)

```

```

C.....FORM KBB
  DO 5 I=1,3
  DO 5 J=1,3
  5 D(I,J)= AK(I,J)
  DO 23 I=1,3
  DO 23 J=1,3
 23 KBB(M,I,J)=D(I,J)
  IF ( M.NE.1) CALL ROT3(M,D)
  DO 4 I=1,3
  IROW=IRBB+I
  DO 4 J=1,3
  ICOL=IRBB+J
  4 STIF(IROW,ICOL)=STIF(IROW,ICOL)+D(I,J)

```

C

```

C.....FORM KAA
  DO 7 I=1,3
  DO 7 J=1,3
  7 D(I,J)= AK(I,J)
  DO 17 I=1,3
 17 D(I,3)=D(I,3)+SP*D(I,2)
  DO 27 J=1,3
 27 D(3,J)=D(3,J)+SP*D(2,J)
  DO 30 I=1,3
  DO 30 J=1,3
 30 KAA(M,I,J)=D(I,J)
  IF ( M.NE.1) CALL ROT3(M,D)
  DO 2 I=1,3
  IROW=IRAA+I
  DO 2 J=1,3
  ICOL=IRAA+J
  2 STIF(IROW,ICOL)=STIF(IROW,ICOL)+D(I,J)

```

C

```

C.....MEMBER MATRICES ARE NOW IN THE GLOBAL STIFFNESS MATRIX

```

C

```

  RETURN
  END

```



## SUBROUTINE ROTS(M,0)

C  
C CHANGES MEMBER STIFFNESS MATRICES FROM LOCAL COORDINATE SYSTEM TO  
C GLOBAL COORDINATE SYSTEM  
C

    DIMENSION D(3,3)  
    GO TO (1,2,3,4),M  
1 RETURN  
2 F=1.  
    GO TO 5  
3 D(2,3)=-D(2,3)  
    D(3,2)=-D(3,2)  
    GO TO 1  
4 F=-1.  
5 D(1,3)=F\*D(2,3)  
    D(3,1)=F\*D(3,2)  
    T=D(2,2)  
    D(2,2)=D(1,1)  
    D(1,1)=T  
    D(2,3)=0.  
    D(3,2)=0.  
    GO TO 1  
END

```
SUBROUTINE CROUT(A,N,NF)
```

```
C  
C  
C
```

```
INVERTS STIFFNESS MATRIX
```

```
DIMENSION A(2)  
R=A(1)  
JAA=1  
DO 1 J=2,N  
JAA=JAA+NF  
1 A(JAA) = A(JAA)/B  
J0 = 0  
DO 2 J=2,N  
J1=J-1  
J0=J0+NF  
JB=J+J0  
DO 3 I=J,N  
S=0.  
IA=I-NF  
DO 4 K=1,J1  
IA = IA+NF  
KA=J0+K  
4 S=S+A(IA)*A(KA)  
JA=J0+1  
3 A(JA)=A(JA)-S  
IF (J-N) 7,2,2  
7 J2=J+1  
I0=J0  
DO 5 I=J2,N  
S=0.  
I0=I0+NF  
JA=J-NF  
DO 6 K=1,J1  
JA = JA+NF  
KA =K+I0  
6 S=A(JA)*A(KA)+S  
IB=J+I0  
5 A(IP)=(A(IP)-S)/A(JP)  
2 CONTINUE  
RETURN  
END
```

## SUBROUTINE GENLD

```

C
C GENERATES JOINT LOAD MATRIX
C
  REAL*4 MOM(50)
  REAL*4 JLOAD(12,5)
  COMMON/RSCALE/SPAN,RISE,TT,TB,TS,GAMAC,GAMAS,GAMAF,PC,H,HH,HV,Q,
  1 ZETA,BETA,DF,Q1,EC,ES,FY,FCP,FLMV,FLN,Q2,Q3,NLAY,RTYPE,Q4,Q5,
  2 CT(4),SDATA(35)
  COMMON/RARRAY/U(12,5),W1(4,5),W2(4,5),A(4,5),B(4,5),C(4,5),
  1 PMEMB(4,25),X(50,4)
  COMMON /ISCALE/NIT,NOLD,IBUG,TR,IB,ITAPE,IPATH,ICYC,NINT
  COMMON/ANAL/JLOAD,STIF(12,12),FIXMC(4,5,4)
  INTEGER*2 IBDATA(35),ISDATA(35)
  COMMON /IFLAGS/ IBDATA,ISDATA
C
  DO 250 I=1,4
  DO 250 J=1,5
  DO 250 K=1,4
250  FIXMC(I,J,K)=0.
  DO 201 I=1,4
  DO 201 J=1,5
  W1(I,J)=0.
  W2(I,J)=0.
  A(I,J)=0.
  B(I,J)=0.
  C(I,J)=0.
201  CONTINUE
  DO 215 I=1,12
  DO 215 J=1,5
215  JLOAD(I,J)=0.
  DO 1000 L=1,4
  GO TO (10,20,30,40 ),L
C
C CONCRETE DEAD LOAD - LOADING CONDITION 1
10  CONTINUE
  G=GAMAC*12.
  WT=TT*G
  PS=(TS*PMEMB(2,4)+HH*HV)*G
  WR=TB*G
  SP=PMEMB(1,4)
  WR=WT+WR+2.*PS/SP
  PS = PS/2.
  W=WR-WB
  W1(1,1)=WT
  W1(3,1)=W
  W2(1,1)=WT
  W2(3,1)=W

```

```

      B(1,1)=SP
      B(3,1)=SP
      DO 11 M=1,3,2
      CALL MOMENT(W1(M,L),W2(M,L),A(M,L),B(M,L),C(M,L),X(1,M),MOM,VA,
1  VB,NIT)
      CALL FXEDMO(MOM,FMAB,FMBA,M)
      CALL FLLD(M,L,VA,VB,FMAB,FMBA)
11  CONTINUE
      DO 12 I=1,4
      K=(I-1)*3+2
      JLOAD(K,1)=JLOAD(K,1)+PS
12  CONTINUE
      GO TO 1000

```

C  
C

```

      VERTICAL SOIL PRESSURE - LOADING CONDITION 2
20  CONTINUE
      WT=BETA*H*GAMAS*12.
      SP=PMEMB(1,4)
      P=WT*TS/2.
      DO 21 M=1,3,2
      W1(M,2)=WT
      W2(M,2)=WT
      B(M,2)=SP
      CALL MOMENT(W1(M,L),W2(M,L),A(M,L),B(M,L),C(M,L),X(1,M),MOM,VA,
1  VB,NIT)
      CALL FXEDMO(MOM,FMAB,FMBA,M)
      CALL FLLD(M,L,VA,VB,FMAB,FMBA)
21  CONTINUE
      JLOAD(2,2)=JLOAD(2,2)+P
      JLOAD(5,2)=JLOAD(5,2)+P
      JLOAD(8,2)=JLOAD(8,2)+P
      JLOAD(11,2)=JLOAD(11,2)+P
      GO TO 1000

```

C  
C

```

      HORIZONTAL SOIL PRESSURE - LOADING CONDITION 3
30  CONTINUE
      G=GAMAS*ZETA*12
      WST=G*H
      WSB=G*(H+RISE+TT+TB)
      SP=PMEMB(2,4)
      W1(2,3)=WST
      W1(4,3)=WSB
      W2(2,3)=WSB
      W2(4,3)=WST
      B(2,3)=SP
      B(4,3)=SP
      DO 31 M=2,4,2
      CALL MOMENT(W1(M,L),W2(M,L),A(M,L),B(M,L),C(M,L),X(1,M),MOM,VA,

```

190CT73

1 VB,NIT)

CALL FXEDMO(MOM,FMAB,FMBA,M)

CALL FLLO(M,L,VA,VB,FMAB,FMBA)

31 CONTINUE

PT=WST\*TT/2.

PB=WSB\*TR/2.

JLOAD(1,3)=JLOAD(1,3)+PT

JLOAD(4,3)=JLOAD(4,3)-PT

JLOAD(7,3)=JLOAD(7,3)-PB

JLOAD(10,3)=JLOAD(10,3)+PB

C ADDITIONAL LATERAL SOIL PRESSURE

2-12-76

W1(2,5)=WST\*SDATA(25)

W1(4,5)=WSB\*SDATA(25)

W2(2,5)=WSB\*SDATA(25)

W2(4,5)=WST\*SDATA(25)

B(2,5)=SP

B(4,5)=SP

DO 33 M=2,4,2

2-12-76

CALL MOMENT(W1(M,5),W2(M,5),A(M,5),B(M,5),C(M,5),

R X(1,M),MOM,VA,VB,NIT)

2-12-76

CALL FXEDMO(MOM,FMAB,FMBA,M)

2-12-76

CALL FLLO(M,5,VA,VB,FMAB,FMBA)

33 CONTINUE

2-12-76

JLOAD(1,5)=JLOAD(1,5)+PT\*SDATA(25)

JLOAD(4,5)=JLOAD(4,5)-PT\*SDATA(25)

JLOAD(7,5)=JLOAD(7,5)-PB\*SDATA(25)

JLOAD(10,5)=JLOAD(10,5)+PB\*SDATA(25)

GO TO 1000

C

C

INTERNAL WATER LOAD - LOADING CONDITION 4

40 CONTINUE

WSR=GAMAF\*DF\*12.

SP=PKEMB(2,4)

WR=WSB\*SPAN/(SPAN+TS)

W=WR+WSB

S2=TR/2.

S1=SP-S2-DF

S3=TS/2.

W1(2,4)=0.

W2(2,4)=-WSB

A(2,4)=S1

B(2,4)=DF

C(2,4)=S2

W1(3,4)=W

W2(3,4)=W

A(3,4)=S3

B(3,4)=SPAN

C(3,4)=S3

```
W1(4,4)=-USR
W2(4,4)=0.
A(4,4)=S2
R(4,4)=DF
C(4,4)=S1
P=WP*TS
JLOAD( 8,4)=JLOAD( 8,4)+F
JLOAD(11,4)=JLOAD(11,4)+P
DO 41 M=2,4
CALL MOMENT(W1(M,L),W2(M,L),A(M,L),R(M,L),C(M,L),X(1,M),MOM,VA,
1 VB,MIT)
CALL FXEDMO(MOM,FMAB,FMBA,M)
CALL FLLD(M,L,VA,VB,FMAB,FMBA)
41 CONTINUE
```

C

```
1000 CONTINUE
1010 DO 1003 J=1,5
      JLOAD(7,J)=JLOAD(9,J)
      JLOAD(8,J)=JLOAD(10,J)
      JLOAD(9,J)=JLOAD(12,J)
1003 CONTINUE
      RETURN
      END
```

```

SUBROUTINE MOMENT(W1,W2,A,B,C,X,MON,VA,VB,N)

```

```

C
C
C
C

```

```

GENERATES MEMBER MOMENTS AND SHEARS

```

```

REAL*4 MON(1),X(1)

```

```

COMMON /ISCALE/NIT,NOLD,IDBUG,IR,IM,ITAPE,IPATH

```

```

1 CONTINUE

```

```

IF ( W1.EQ.0. .AND. W2.EQ.0. ) GO TO 101

```

```

QM=W2-W1

```

```

QP=W1+W2

```

```

S=A+B+C

```

```

C
C

```

```

COMPUTE B=BAR,VA,AND VB

```

```

IF (QP) 9,10,9

```

```

10 BBAR=B/2.

```

```

GO TO 11

```

```

9 BBAR=(W1*B+2.*QM*B/3.)/QP

```

```

11 VA=QP*B*(B+C-BBAR)/2./S

```

```

VB=QP*B*(A+BBAR)/2./S

```

```

C
C

```

```

GENERATE MOMENTS

```

```

DO 100 I=1,N

```

```

Y=X(I)

```

```

IF (Y.LE.A) GO TO 3

```

```

IF (Y.GE.A+B) GO TO 2

```

```

XP=Y-A

```

```

WX=W1*XP+QM*XP*XP/2./B

```

```

XPBAR=(W1*XP+2.*QM*XP*XP/3./B)/(2.*W1+QM*XP/B)

```

```

MON(I)=VA*Y-WX*(XP-XPBAR)

```

```

GO TO 100

```

```

2 MON(I)=VB*(S-Y)

```

```

GO TO 100

```

```

3 MON(I)=VA*Y

```

```

100 CONTINUE

```

```

GO TO 110

```

```

101 CONTINUE

```

```

DO 102 I=1,N

```

```

102 MON(I)=0.

```

```

VA=0.

```

```

VB=0.

```

```

110 CONTINUE

```

```

RETURN

```

```

END

```

```
      SUBROUTINE FXEDMO(MOM,FMAB,FMBA,M)
```

```
      C  
      C GENERATES MEMBER FIXED END MOMENTS.  
      C
```

```
      COMMON /RARRAY/ FIL(160),PMEMB(4,25), X(50,4)  
      REAL*4 J4,J5,J6,MOM(1)  
      DIMENSION A(50)  
      COMMON /ISCALE/ NIT  
      DO 1 I=1,NIT  
      A(I)=MOM(I)*X(I,M)  
1 CONTINUE  
      J4=PMEMB(M,10)  
      J5=PMEMB(M,11)  
      S=PMEMB(M,4)  
      J6=PMEMB(M,12)  
      C1=S*TRAP(A,NIT,S,M)  
      DO 2 I=1,NIT  
      A(I)=MOM(I)*(S-X(I,M))  
2 CONTINUE  
      C2=S*TRAP(A,NIT,S,M)  
      D=-J5*J5+J4*J6  
      FMAB=(-J5*C1+J6*C2)/D  
      FMBA=(-J4*C1+J5*C2)/D  
      RETURN  
      END
```



```
SUBROUTINE FLLO(M,L,VA,VB,FMAB,FMBA)
```

```
C  
C  
C ASSEMBLES MEMBER FIXED END MOMENTS AND SHEARS INTO JOINT LOAD MATRIX.  
C
```

```
REAL*4 JLOAD(12,5)  
COMMON/ANAL/JLOAD,STIF(12,12),FIXMO(4,5,4)  
COMMON /RARRAY/ FIL(160),PMEMB(4,25)  
COMMON /ISCALE/INT,NOLD,IDBUG,IP,IN,ITAPE,IPATH,ICYC,MINT  
DIMENSION ISUB(4,4),SV(4)  
DATA ISUB/2,5,3,6,4,7,6,9,8,11,9,12,10,1,12,3/  
DATA SV/-1.,-1.,1.,1./  
V=(FMAB+FMBA)/PMEMB(M,4)  
IF ( IDBUG.LT.3) GO TO 1  
1 CONTINUE  
VA=VA+V  
VB=VB-V  
FIXMO(M,L,1)=FMAB  
FIXMO(M,L,2)=FMBA  
FIXMO(M,L,3)=VA  
FIXMO(M,L,4)=VB  
I1=ISUB(1,M)  
I2=ISUB(2,M)  
I3=ISUB(3,M)  
I4=ISUB(4,M)  
S=SV(M)  
JLOAD(I1,L)=JLOAD(I1,L)+S*VA  
JLOAD(I2,L)=JLOAD(I2,L)+S*VB  
JLOAD(I3,L)=JLOAD(I3,L)-FMAB  
JLOAD(I4,L)=JLOAD(I4,L)-FMBA  
RETURN  
END
```

```
SUBROUTINE MATMP(A,N,P,M,D,NF)
DIMENSION A(2),B(2),D(2)
```

```
C
C MULTIPLIES INVERTED STIFFNESS MATRIX BY LOAD MATRIX TO GET DISPLACEMENTS
C FOR EACH LOAD CONDITION.
C
C DOUBLE PRECISION A,B,C,D,S
C=A(1)
JB=1-NF
DO 10 J=1,M
JB=JB+NF
10 D(JB)=P(JB)/C
IA=1
DO 21 I=2,N
II=I-1
IA=IA+1+NF
C=A(IA)
JB=-NF
DO 21 J=1,M
S=0.
JA=1-NF
JB=JB+NF
DO 22 K=1,II
JA = JA+NF
KB=K+JB
22 S=S+A(JA)*D(KB)
IB=I+JB
21 D(IB)=(B(IB)-S)/C
DO 100 I=2,N
IP=N+1-I
IP1=IP+1
IA=(IP-1)*NF+IP
IB=-NF
DO 100 J=1,M
S=0.
IB=IB+NF
KA=IA
DO 102 K=IP1,N
KA=KA+NF
KB=K+IB
102 S=S+A(KA)*D(KB)
KB=IP+IB
100 D(KB)=D(KB)-S
RETURN
END
```

## SUBROUTINE ENDFO

```

C
C DETERMINES MEMBER END FORCES PRINTS MEMBER END FORCES TABLE
C FOR IDBUG EQUAL TO 3
C
C REAL*4 JLOAD(12,5)
C REAL INER(4,5),KAA(4,3,3),KAB(4,3,3),KBA(4,3,3),KBB(4,3,3)
C
C REAL SCALAR COMMON
C COMMON/RSCALE/SPAN,RISE,TT,TR,TS,GAMAC,GAMAS,GAMAF,PD,H,HH,HV,Q,
1 ZETA,BE1A,DF,Q1,EC,ES,FY,FCP,FLMV,FLN,Q2,Q3,NLAY,RTYPE,Q4,Q5,
2 CT(E),SDATA(35)
C
C REAL COMMON ARRAYS
C COMMON/RARRAY/U(12,5),W1(4,5),W2(4,5),A(4,5),E(4,5),C(4,5),
1 PMEMB(4,25),X(50,4)
C COMMON/RARRAY/INER,KAA,KAB,KBA,KBB
C COMMON /ANAL/ JLOAD STIF(12,12),FIXMO(4,5,4)
C
C COMMON/HARRAY/AMOM(20,5),V(20,5),P(3,5),FXLA(4,5),FYLA(4,5)
1 BMA(4,5),FXLB(4,5),FYLB(4,5),BMB(4,5),ENDM(20,5),ENDV(20,5),
2 GRM1(20),GRV1(20),GRF1(3),GRV2NG(20),GRM2NG(20),GRV2PL(20)
3 GRM2PL(20),GRP2PL(3),GRP2NG(3),FPMIN(3),FVMIN(20),FMMIN(20),
4 FPMAX(3),FVMAX(20),FPMAX(20),ZMOMT,ZMOMR,XL(20)
C
C
C INTEGER SCALAR COMMON
C COMMON /ISCALE/UNIT,NOLD,IDBUG,IR,IW,ITAPE,IPATH,ICYC,NINT
C
C INTEGER COMMON ARRAYS
C COMMON /IARRAY/MEMB(4,2)
C
C SCRATCH
C DIMENSION D(3,3),UA(3),UB(3),FB(3)
C IF ( IDBUG .GE. 3 ) WRITE(IW,1099)
1099 FORMAT(*1*,T50,*END FORCES. KIPS AND INCH-KIPS*,/
1 T43,*A-END*,T93,*B-END*,/,14X,*LOAD*,9X,
1 *FXLA*,11X,*FYLA*,
1 11X,*BMA*,17X,*FXLB*,11X,*FYLB*,11X,*BMB*,/,14X,*CASE*,8X,
2 * FX *,9X,* FY *,9X,*MOMENT*,15X,* FX *,9X,* FY *,9X,
3 *MOMENT*
C DO 1 M=1,4
C DO 1 N=1,5
C FXLA(M,N)=0.0
C FYLA(M,N)=0.0
C FXLB(M,N)=0.0
C FYLB(M,N)=0.0
C BMA(M,N)=0.0

```

COMMON

```
      BMB(M,N)=0.0
1     CONTINUE
      DO 100 N=1,4
      JTA = MEMB(M,1)
      JTB = MEMB(M,2)
      K = 3*(JTA-1)+1
      L = 3*(JTB-1)+1
      DO 5 N=1,5
      GO TO (10,11,12,13),M
10    UA(1) = U(K,N)
      UA(2) = U(K+1,N)
      UA(3) = U(K+2,N)
      UB(1) = U(L,N)
      UB(2) = U(L+1,N)
      UB(3) = U(L+2,N)
      GO TO 14
11    UA(1) = -U(K+1,N)
      UA(2) = U(K,N)
      UA(3) = U(K+2,N)
      UB(1) = -U(L+1,N)
      UB(2) = U(L,N)
      UB(3) = U(L+2,N)
      GO TO 14
12    UA(1) = -U(K,N)
      UA(2) = -U(K+1,N)
      UA(3) = U(K+2,N)
      UB(1) = -U(L,N)
      UB(2) = -U(L+1,N)
      UB(3) = U(L+2,N)
      GO TO 14
13    UA(1) = U(K+1,N)
      UA(2) = -U(K,N)
      UA(3) = U(K+2,N)
      UB(1) = U(L+1,N)
      UB(2) = -U(L,N)
      UB(3) = U(L+2,N)
14    CONTINUE
      DO 2 I=1,3
      DO 2 J=1,3
2     D(I,J) = KBA(M,I,J)
      CALL SOLVE(FB,UA,D)
      DO 3 I=1,3
      DO 3 J=1,3
3     D(I,J) = KBB(M,I,J)
      CALL SOLVE(UA,UB,D)
      DO 4 I=1,3
4     FB(I) = FB(I)+UA(I)
C
```

```

      FXLB(M,N) = FB(1)
      FYLB(M,N) = FB(2)
      BMB(M,N) = FB(3)
C
      FXLA(M,N) = -FB(1)
      FYLA(M,N) = -FB(2)
      BMA(M,N) = -FB(2)*PHEMB(M,4)-FB(3)
5      CONTINUE
100    CONTINUE
C
      DO 200 M=1,4
      DO 250 N=1,5
      FYLA(M,N) = FYLA(M,N)+FIXMO(M,N,3)
      BMA(M,N) = BMA(M,N)+FIXMO(M,N,1)
      FYLB(M,N) = FYLB(M,N)+FIXMO(M,N,4)
      BMB(M,N) = BMB(M,N)+FIXMO(M,N,2)
C
C  DEBUG OUTPUT
C
      IF( IDBUG .LT. 3 ) GO TO 1102
      WRITE(IW,1100) M,N,FXLA(M,N),FYLA(M,N),BMA(M,N),FXLB(M,N),
1  FYLB(M,N),BMB(M,N)
1100  FORMAT(* MEMBER*,2I5,3F15.5,5X,3F15.5)
1102  CONTINUE
C
250    CONTINUE
200    CONTINUE
      RETURN
      END

```

```

      SUBROUTINE SOLVE(DU,DF,AK)
C
C  MULTIPLIES 3X3 MATRIX BY 3X1 MATRIX.
C
      DIMENSION DU(3),DF(3),AK(3,3)
      DO 1 I=1,3
      DU(I)=0.
      DO 1 K=1,3
1  DU(I)=DU(I)+AK(I,K)*DF(K)
      RETURN
      END

```

SUBROUTINE SIMSPN

C  
 C GIVEN THE MEMBER END FORCES AND THE LOADING VALUES  
 C THE SERVICE LOAD FORCES ARE CALCULATED AT THE CRITICAL DESIGN SECTIONS  
 C

COMMON/RSCALE/SPAN,RISE,TT,TB,TS,GAPAC,GAMAS,GAMAF,PG,HH,HH,HV,  
 1 P9V,  
 1 ZETA,BETA,DF,01,EC,ES,FY,FCP,FLMV,FLN,G2,03,NLAY,RTYPE,04,05,  
 2 CT(6),SDATA(35)

COMMON/RARRAY/II(12,5),W1(4,5),W2(4,5),A(4,5),E(4,5),C(4,5),  
 1 PMEMB(4,25),XX(50,4)

COMMON/IARRAY/MEMB(4,2)

COMMON/HARRAY/ANOM(20,5),V(20,5),P(3,5),FXLA(4,5),FYLA(4,5)  
 1 ,BMA(4,5),FXLB(4,5),FYLB(4,5),RMB(4,5),ENOM(20,5),ENDV(20,5),  
 2 GRM1(20),GRV1(20),GRP1(3),GRV2NG(20),GRM2NG(20),GRV2PL(20)  
 3 ,GRM2PL(20),GRP2PL(3),GRP2NG(3),FPMIN(3),FVMIN(20),FMMIN(20),  
 4 FPMAX(3),FVMAX(20),FMMAX(20),ZMOMT,ZMOMB,XL(20)

COMMON/IFLAGS/IBDATA(35),ISDATA(35),ICON(6)

COMMON/ISCALE/NIT,NCLD,IDRUG,IR,IW,ITAPE,IPATH,ICYC,NINT

DIMENSION TM(5),TV(5)

ENDMO(BMOM,CMOM,X,SP)=-BMOM\*(1.-X/SP)+CMOM\*X/SP  
 ENDSPR(BMOM,CMOM,X,SP)=(PMOM+CHOM)/SP

INITIALIZE DATA

USE MINIMUM D FOR SETTING DESIGN SECTION LOCATIONS

TOP SLAB

D = AMIN1(SDATA(33),SDATA(33))  
 D=D\*P9V  
 XL(1)=(SPAN+TS)/2.  
 XL(2)=0.0  
 XL(3) = TS/2. + HH + D  
 XL(4)=TS/2.+HH  
 C MEMBER 2 + SIDE WALL  
 D = AMIN1(SDATA(31),SDATA(35) )  
 D=D\*P9V  
 XL(5) = TB/2. + HV  
 XL(6)= XL(5) + D  
 XL(7)=0.0

```

XL(8) = RISE/2. + (TT+TB)/4.
XL(9) = 0.0
C MEMBER 4 - SIDE WALL
XL(10) = XL(6)
XL(11) = XL(5)
C BOTTOM SLAB
D= AMIN1(SDATA(32),SDATA(34) )
D=D*P9V
XL(12)=TS/2.+SPAN*HH
XL(13) = XL(12) - D
XL(14)=0.0
XL(15)=(SPAN+TS)/2.
C
DO 11 I=1,5
TV(I)=0.0
TM(I)=0.0
DO 11 J=1,20
  ENDM(J,I)=0.0
  ENDV(J,I)=0.0
  AMCM(J,I)=0.0
  V(J,I)=0.0
11 CONTINUE
C
DO 200 M=1,4
  GO TO (10,20,30,40),M
C MEMBER 1
10 I1=1
   I2=3
   I4=4
   GO TO 60
C MEMBER 2
20 I1=8
   I2=6
   I4=5
   GO TO 60
C MEMBER 3
30 I1=15
   I2=13
   I4=12
   GO TO 60
C MEMBER 4
40 I1=0
   I2=10
   I4=11
60 CONTINUE
C
C I1 = CENTER SPAN MOMENT
C I2 = PHI*D FROM HAUNCH, SHEAR AND MOMENT

```

C I4 = TIP OF HAUNCH, SHEAR AND MOMENT

C  
 DO 100 LDCN=1,5  
 IF ( I1.EQ. 0 ) GO TO 45  
 ENDM(I1,LDCN)=ENDMO(BMA(M,LDCN),BMB(M,LDCN),XL(I1),  
 1 PHEMB(M,4))  
 45 CONTINUE  
 ENDM(I2,LDCN)=ENDMO(BMA(M,LDCN),BMB(M,LDCN),XL(I2),  
 1 PHEMB(M,4))  
 1 ENDV(I2,LDCN)=ENDSHR(BMA(M,LDCN),BMB(M,LDCN),XL(I2),  
 1 PHEMB(M,4))  
 1 ENDM(I4,LDCN)=ENDMO(BMA(M,LDCN),BMB(M,LDCN),XL(I4),  
 1 PHEMB(M,4))  
 1 ENDV(I4,LDCN)=ENDSHR(BMA(M,LDCN),BMB(M,LDCN),XL(I4),  
 1 PHEMB(M,4))

C  
 IF (M.EQ. 1 .AND. LDCN .GE. 3) GO TO 100  
 IF (M.EQ. 2 .AND. LDCN .LT. 3) GO TO 100  
 IF (M.EQ. 3 .AND. LDCN .EQ. 3) GO TO 100  
 IF (M.EQ. 3 .AND. LDCN .EQ. 5) GO TO 100  
 IF (M.EQ. 4 .AND. LDCN .LT. 3) GO TO 100

C  
 C MOMENT FOR CENTER SPAN POINTS 1, 8, 15

C  
 IF ( I1 .EQ. 0 ) GO TO 46  
 CALL MOMENT(W1(M,LDCN),W2(M,LDCN),A(M,LDCN),B(M,LDCN),  
 1 C(M,LDCN),XL(I1),AMOM(I1,LDCN),DUM,DUM,1)  
 46 CONTINUE

C  
 C MOMENT AT POINTS 3, 6, 10, 13

C  
 CALL MOMENT(W1(M,LDCN),W2(M,LDCN),A(M,LDCN),B(M,LDCN),  
 1 C(M,LDCN),XL(I2),AMOM(I2,LDCN),RL,RR,1)  
 C  
 IF (XL(I2) .LE. A(M,LDCN)) V(I2,LDCN)=RL  
 IF (XL(I2) .GT. A(M,LDCN) .AND. XL(I2) .LT. A(M,LDCN)+  
 1 B(M,LDCN))  
 2 V(I2,LDCN)=RL-W1(M,LDCN)\*(XL(I2)-A(M,LDCN))-W2(M,LDCN)  
 3 -W1(M,LDCN)\*(XL(I2)-A(M,LDCN))+2/2./B(M,LDCN)  
 IF (XL(I2) .GE. A(M,LDCN)+B(M,LDCN)) V(I2,LDCN)=-RR

C  
 C MOMENT AT THE HAUNCHES; POINTS 4, 5, 11, 12

C  
 CALL MOMENT(W1(M,LDCN),W2(M,LDCN),A(M,LDCN),B(M,LDCN),  
 1 C(M,LDCN),XL(I4),AMOM(I4,LDCN),DUM,DUM,1)  
 C  
 IF (XL(I4) .LE. A(M,LDCN)) V(I4,LDCN)=RL  
 IF (XL(I4) .GT. A(M,LDCN) .AND. XL(I4) .LT. A(M,LDCN)+



```

1                                     B(M,LDCN))
2   V(I4,LDCN)=RL-W1(M,LDCN)*(XL(I4)-A(M,LDCN))-W2(M,LDCN)
3     -W1(M,LDCN)*(XL(I4)-A(M,LDCN))*2/2./9(M,LDCN)
   IF (XL(I4) .GE. A(M,LDCN)+B(M,LDCN)) V(I4,LDCN)=-RR
C
100  CONTINUE
200  CONTINUE
C
C      STORE AXIAL FORCES
DO 210 I=1,5
  P(1,I)=FXLR(1,I)
  P(2,I)=FXLR(4,I)
  P(3,I)=FXLR(3,I)
DO 210 J=1,20
  V(J,I)=V(J,I)+ENDV(J,I)
  AMOM(J,I)=AMOM(J,I)+ENDM(J,I)
210  CONTINUE
C
C      FIND XD IN TOP AND BOTTOM SLABS AND
C      CALCULATE M,V AT XD AWAY FROM CENTERSPAN
C
M=2
IF ( IRDATA(14) .NE. 2 ) M=3
DMT=0.0
DMB=0.0
WT=0.0
WB=0.0
DO 300 I=1,M
  MT=WT+W1(1,I)
  MB=WB+W1(3,I)
  DMR=DMB+AMOM(15,I)
  DMT=DMT+AMOM(1,I)
300  CONTINUE
  MT=WT+W1(1,4)
  DMR=DMB+AMOM(15,4)
  DMT=DMT+AMOM(1,4)
XL(14)=3.0*(SQRT((SDATA(34)+POV)**2+2.*DMB/9./WB)-SDATA(34)+POV)
XL(2)=3.0*(SQRT((SDATA(33)+POV)**2+2.*DMT/9./WT)-SDATA(33)+POV)
XL(2)=(SPAN+TS)/2.-XL(2)
XL(14)=(SPAN+TS)/2.+XL(14)
C
C      TOP
C
IF ( XL(2) .LE. 0 ) GO TO 320
M=1
J=2
322 CONTINUE
DO 327 LDCN=1,5

```

```

      CALL MOMENT(W1(M,LDCN),W2(M,LDCN),A(M,LDCN),B(M,LDCN),
1      C(M,LDCN),XL(J),AMOM(J,LDCN),RL,RR,1)
C
      IF (XL(J) .LE. A(M,LDCN)) V(J,LDCN)=RL
      IF (XL(J) .GT. A(M,LDCN) .AND. XL(J) .LT. A(M,LDCN)+
1      B(M,LDCN))
2      V(J,LDCN)=RL-W1(M,LDCN)*(XL(J)-A(M,LDCN))-W2(M,LDCN)
3      -W1(M,LDCN)*(XL(J)-A(M,LDCN))**2/2./B(M,LDCN)
      IF (XL(J) .GE. A(M,LDCN)+B(M,LDCN)) V(J,LDCN)=-RR
C
      AMOM(J,LDCN)=AMOM(J,LDCN)+ENDMO(BMA(M,LDCN),BMB(M,LDCN),XL(J),
1      PMEMB(M,4))
      V(J,LDCN)=V(J,LDCN)+ENDSHR(BMA(M,LDCN),BMB(M,LDCN),XL(J),
1      PMEMB(M,4))
327 CONTINUE
      IF (M .NE. 1) GO TO 340
C
C      BOTTOM SLAB
C
320 IF (XL(14) .GE. SPAN+TS/2.-HH) GO TO 340
      M=3
      J=14
      GO TO 322
340 CONTINUE
C
C      FIND LOCATION OF 0 MOMENT IN TOP AND BOTTOM SLABS
C
      DMT = DMT + AMOM(1,3)*IABS(N - 3) + AMOM(1,5)
      DMB = DMB+AMOM(15,3)*IABS(N - 3) + AMOM(15,5)
      IF (DMT .LE. 0.0) GO TO 75
      ZDMT = (SPAN + TS)/2. - SQRT(2.*DMT/WT)
75 IF (DMB .LE. 0.0) GO TO 76
      ZDMB = (SPAN+TS)/2. + SQRT(2.*DMB/WB)
76 CONTINUE
C
C      FIND WHERE M/VD=3.0 IN THE SIDE WALL
C
      IF (AMOM(8,1)+AMOM(8,2)+AMOM(8,3)+AMOM(8,5) .LT. 0.0)
1      GO TO 505
      D = AMIN1(SCATA(31),SCATA(35))
      D=D*POV
      X=TB/2. - HV - D + PMEMB(4,4)/200.0 + RISE
      L=6
      TEMPI = -(AMOM(6,1)+AMOM(6,2)+AMOM(6,3)+AMOM(6,5))/(V(6,1)+V(6,2)+
1      V(6,3)+V(6,5))
76 L=L+1
      IF (L .EQ. 8) L=9
50 CONTINUE

```

```

X=X-PMEMB(4,4)/200.
TEMP=TEMP1
IF ( L .EQ. 10) GO TO 505
IF(L.LE. 8 .AND. X.LE.(RISE+TR)/2.) L=9
IF (X .LT. T6/2.+HV+ D ) GO TO 490
TV1=0.0
TM1=0.0
DO 450 K=1,5
CALL MOMENT(W1(4,K),W2(4,K),A(4,K),B(4,K),C(4,K),X,TM(K),RL,RR
1)
IF (X .LE. A(4,K)) TV(K)=RL
IF (X .GT.A(4,K) .AND. X .LT. A(4,K)+B(4,K))
1 TV(K)=RL-W1(4,K)*(X-A(4,K))-(W2(4,K)-W1(4,K))*(X-A(4,K))*2
2 /2./B(4,K)
IF (X .GT. A(4,K)+B(4,K) ) TV(K)=-RR
TV(K)=TV(K)+ENDSHR(BMA(4,K),BMB(4,K),X,PMEMP(4,4))
TM(K)=TM(K)+ ENDMO(BMA(4,K),BMB(4,K),X,PMEMP(4,4))
IF ( K .EQ. 4 ) GO TO 450
TM1=TM1+TM(K)
TV1=TV1+TV(K)
450 CONTINUE
D = SDATA(35)*PDV
IF ( TM1 .LT. 0.0 ) GO TO 50
TEMP1 = 3.0 - ABS(TM1/TV1/D)
IF (TEMP1 * TEMP .GT. 0.0 ) GO TO 485
IF ( ABS(TEMP) .LT. ABS(TEMP1) ) GO TO 70
485 DO 475 J=1,5
V(L,J)=TV(J)
AMOM(L,J)=TM(J)
475 CONTINUE
XL(L)=X
IF (TEMP1 * TEMP .GT. 0.0 ) GO TO 50
GO TO 70
490 CONTINUE
DO 495 I=1,5
V(L,I) = 0.0
AMOM(L,I) = 0.0
495 CONTINUE
XL(L) = 0.0
505 CONTINUE
IF ( 10000 .LT. 3 ) GO TO 506
WRITE (IW,509)
509 FORMAT (1H1)
WRITE (IW,510)
510 FORMAT (//,T40,'SERVICE MOMENTS AND SHEARS FOR EACH LOAD ',
1*CONDITION',/,5X,125(1H-),//,6X,'DESIGN',5X,'DIST. FROM',T35,'MOME
2NT(1N,KIPS/FT)',T100,'SHEAR(KIPS/FT)',/,5X,'SECTION',6X,'A-END(IN.
3)',T25,45(1H-),17X,44(1H-),//,T26,'LC-1',6X,'LC-2',6X,'LC-3',6X,

```

```

4*LC-4*,6X,*LC-5*,16X,*LC-1*,6X,*LC-2*,6X,*LC-3*,6X,*LC-4*,6X,
5*LC-5*)
DO 507 I=1,15
WRITE(IW,508) I,XL(I),(AMOM(L,I),L=1,5),(V(L,I),L=1,5)
508 FORMAT (5X,I5,F10.2,5(F10.2),10X,5(F10.2))
507 CONTINUE
506 CONTINUE
RETURN
END

```

```

SUBROUTINE FMXFN
C
C DETERMINES THE MINIMUM AND MAXIMUM DESIGN FORCES AND RESULTING
C ULTIMATE FORCES AT THE CRITICAL DESIGN LOCATIONS.
C
REAL*4 JLOAD(12,5)
REAL*4 INER(4,5),KAA(4,3,3),KAB(4,3,3),KBA(4,3,3),KBB(4,3,3)
C
COMMON/RSCALE/SPAN,RISE,TT,TB,TS,GAMAC,GAMAS,GAMAF,P0,H,HH,HV,0,
1 ZETA,BETA,DF,Q1,EC,ES,FY,FCP,FLMV,FLN,Q2,Q3,NLAY,RTYPE,Q4,Q5,
2 CT(6),SDATA(35)
COMMON/RARRAY/U(12,5),W1(4,5),W2(4,5),A(4,5),R(4,5),C(4,5),
1 PMEMB(4,25),X(50,4)
COMMON/RARRAY/INER,KAA,KAB,KBA,KBB
C
COMMON/ANAL/JLOAD,STIF(12,12),FIXMO(4,5,4),DM(6),DV(6),DF(6),
1 AS(6),SRATIO(6)
C
COMMON/ISCALE/NIT,NOLD,IOBUG,IR,IN,ITAPE,IPATH,ICYC,NINT
C
COMMON/IARRAY/MEMB(4,2)
C
COMMON/HARRAY/AMOM(20,5),V(20,5),P(3,5),FXLA(4,5),FYLA(4,5)
1 ,BMA(4,5),FXLB(4,5),FYLR(4,5),BMB(4,5),ENDM(20,5),ENDV(20,5),
2 GRM1(20),GRV1(20),GRP1(3),GRV2NG(20),GRM2NG(20),GRV2PL(20)
3 ,GRP2PL(20),GRP2PL(3),GRP2NG(3),FPMIN(3),FVMIA(20),FHMIA(20),
4 FPMAX(3),FVMAX(20),FMMAX(20),ZMCMT,ZMCMB,XL(20)
C
COMMON/IFLAGS/IBDATA(35),ISDATA(35),ICON(6)
DIMENSION SIDE(3)
DATA SIDE/'TOP','SIDE','BOT' /
C
I4=3
COEF3=0.0
DO 100 L=1,20
GRM1(L)=0.0
GRV1(L)=0.0
GRM2PL(L)=0.0
GRV2PL(L)=0.0
GRM2NG(L)=0.0
GRV2NG(L)=0.0
IF (L.GT. 3) GO TO 100
GRP1(L)=0.0
GRP2PL(L)=0.0
GRP2NG(L)=0.0
100 CONTINUE

```

```
IF (IBDATA(14) .EQ. 2) GO TO 102
COEF3=1.0
```

IV G LEVEL 21

FMX\*\*

DATE = 82251

18/35/09

I4=4

102 CONTINUE

DO 1 I = 1, 15

GRM1(I)=AMOM(I,1)+AMOM(I,2)+AMOM(I,3)\*COEF3

GRV1(I)=V(I,1)+V(I,2)+V(I,3)\*CCEF3

DO 1 K=14,5

GRM2PL(I)=GRM2PL(I)+(1.+SIGN(1.,AMOM(I,K)))/2.\*AMOM(I,K)

GRM2NG(I)=GRM2NG(I)+(1.-SIGN(1.,AMOM(I,K)))/2.\*AMOM(I,K)

GRV2PL(I)=GRV2PL(I)+(1.+SIGN(1.,V(I,K)))/2.\*V(I,K)

GRV2NG(I)=GRV2NG(I)+(1.-SIGN(1.,V(I,K)))/2.\*V(I,K)

1 CONTINUE

DO 3 I=1,3

GRP1(I)=P(I,1)+P(I,2)+P(I,3)\*CCEF3

DO 3 K=14,5

GRP2PL(I)=GRP2PL(I)+(1.+SIGN(1.,P(I,K)))/2.\*P(I,K)

GRP2NG(I)=GRP2NG(I)+(1.-SIGN(1.,P(I,K)))/2.\*P(I,K)

3 CONTINUE

DO 5 K=1,15

FVMIN(K)=(GRV1(K)+GRV2NG(K))\*FLMV

FMMIN(K)=(GRM1(K)+GRM2NG(K))\*FLPV

FVMAX(K)=(GRV1(K)+GRV2PL(K))\*FLMV

FMMAX(K)=(GRM1(K)+GRM2PL(K))\*FLPV

IF (FMMIN(K) .GT. 0.0) FMMIN(K)=0.0

IF (FVMIN(K) .GT. 0.0) FVMIN(K)=0.0

IF (FMMAX(K) .LT. 0.0) FMMAX(K)=0.0

IF (FVMAX(K) .LT. 0.0) FVMAX(K)=0.0

IF ( K .GT. 3 ) GO TO 5

FPMIN(K)=(GRP1(K)+GRP2NG(K))\*FLN

FPMAX(K)=(GRP1(K)+GRP2PL(K))\*FLN

5 CONTINUE

C

C

SPECIAL SHEAR DESIGN SECTIONS

DO 2 J = 6,7,1

FMMIN(J)=(GRM1(J) + GRM2PL(J))\*FLPV

FMMAX(J)=(GRM1(J)+GRM2PL(J))\*FLPV

IF (FMMIN(J) .GT. 0.0) FMMIN(J)=0.0

IF (FMMAX(J) .LT. 0.0) FMMAX(J)=0.0

K = J+3

FMMIN(K)=(GRM1(K) + GRM2PL(K))\*FLPV

FMMAX(K)=(GRM1(K)+GRM2PL(K))\*FLPV

IF (FMMIN(K) .GT. 0.0) FMMIN(K)=0.0

IF (FMMAX(K) .LT. 0.0) FMMAX(K)=0.0

2 CONTINUE

IF ( FMMIN(1) .NE. 0.0 ) GO TO 1498

IF ( FMMIN(15) .NE. 0.0 ) GO TO 1498

C

C

C DEBUG OUTPUT

```

C
  IF(IOBUG.LT.1) GO TO 1203
1498 CONTINUE
  WRITE(IW,1101)
1101 FORMAT(*1*,T33,*SERVICE LOADS*,T90,*ULTIMATE LOADS*,/,T13,
1 56(1H-),T79,34(1H-),/,* SECTION*,T20,*GROUP 1*,T50,
2 *GROUP 2* )
  WRITE(IW,1103)
1103 FORMAT(T13,*MOMENT*,T25,*SHEAR*,T35,*MPLUS*,T45,*VPLUS*,T56,
2 *MNEG*,T66,*VNEG*,T79,*FMAX*,T89,*FVMAX*,T99,*FMIN*,T109
3 *FVMIN*)
  WRITE(IW,1102)(I,GRM1(I),GRV1(I),GRM2PL(I),GRV2PL(I),GRM2NG(I),
1 GRV2NG(I),FMAX(I),FVMAX(I),FMIN(I),FVMIN(I),I=1,15)
1102 FORMAT(T4,T2,T10,6F10.3,T75,4F10.3)
  WRITE(IW,1105)
  WRITE(IW,1106) (SIDE(I),GRP1(I),GRP2PL(I),GRP2NG(I),FMAX(I),
1 FMIN(I), I=1,3)
  IF ( FMIN(1) .NE. 0.0 ) GO TO 1500
  IF ( FMIN(15) .NE. 0.0 ) GO TO 1501
  GO TO 1502
1500 J=1
  GO TO 1504
1501 J=3
1504 IPATH = 0
  WRITE(IW,1503) SIDE(J)
1503 FORMAT(///,*NEGATIVE MOMENT EXISTS IN MIDSPAN OF *,A4,*SLAB.*,/,
1 * THE DESIGN SUBROUTINE IS NOT EQUIPPED TO ADEQUATELY*,/,
2 * HANDLE SUCH A CASE AND THE REINFORCING DESIGN SHOULD*,/,
3 * BE COMPLETED BY HAND USING THE MOMENTS, THRUSTS, AND *,/,
4 * SHEARS GIVEN ABOVE* )
  GO TO 1203
1502 CONTINUE
  ZMOMBC=SPAN+TS-ZMOMR
  WRITE(IW,1104) ZMOMT,ZMOMBC
1104 FORMAT(*0 ZERO MOMENT TOP *,F15.5,T50,*ZERO MOMENT BOTTOM*,F15.5, /
1,*0 INCHES FROM CENTERLINE OF SIDEWALL*,//
1/,*0***NOTE: ALL UNITS ARE KIPS AND INCHES*,/,*1* )
1105 FORMAT(*0 MEMBER*,T13,*THRUST*,T35,*NPLUS*,T56,*NNEG*,
2 T79,*FNMAX*,T99,*FNMIN*)
1106 FORMAT( T3,A4,2X,F10.3,11X,F10.3,10X,F10.3,10X,4X,F10.3,
1 10X,F10.3)
1203 CONTINUE
  RETURN
  END

```

## SUBROUTINE DESCK

```

C
C CALCULATES THE REQUIRED STEEL AREA AT THE FLEXURE DESIGN
C LOCATIONS BASED ON THE FOLLOWING: FLEXURE
C                                     MINIMUM STEEL FOR FLEXURE
C                                     LIMITING CONCRETE COMPRESSION
C                                     0.01** CRACK AT SERVICE LOADS
C IT CHECKS FOR DIAGONAL TENSION SHEAR AT THE APPROPRIATE DESIGN
C LOCATIONS USING METHODS 1(AASHTO) AND 2
C 4 PRINTOUT OF THE FLEXURE DESIGN TABLE, SHEAR DESIGN TABLE METHOD 1
C AND SHEAR DESIGN TABLE METHOD 2 ARE AVAILABLE WITH AN IDBUG VALUE
C GREATER THAN 1.
C
C   REAL*4 JLOAD(12,5)
C   REAL*4 INER(4,50),KAA(4,3,3),KAB(4,3,3),KBA(4,3,3),KFB(4,3,3)
C
C   COMMON/RSCALE/SPAN,RISE,TT,IB,TS,GAMAC,GAMAS,GAMAF,PCF,R,HH,HV,
1  PDV,
1  ZETA,BETA,DF,Q1,EC,ES,FY,FCP,FLMV,FLN,FCR,Q3,NLAY,RTYPE,Q4,Q5,
2  CT(6),SDATA(35)
C
C   COMMON/RARRAY/U(12,5),W1(4,5),W2(4,5),A(4,5),B(4,5),C(4,5),
1  PNEMB(4,25),X(56,4)
C   COMMON/RARRAY/INER,KAA,KAB,KBA,KBB
C
C   COMMON/ANAL/JLOAD,STIF(12,12),FIXM0(4,5,4),DM(6),DV(6),DP(6),
1  AS(6),SRATIO(6)
C
C   COMMON/ISCALE/NIT,NOLD,IDBUG,IR,IW,ITAPE,IPATH,ICYC,NINT
C
C   COMMON/IARRAY/MEMB(4,2)
C
C   COMMON/HARRAY/AMOM(20,5),V(20,5),P(3,5),FXLA(4,5),FYLA(4,5)
1  ,BMA(4,5),FXLB(4,5),FYLB(4,5),RMB(4,5),ENDM(20,5),ENDV(20,5),
2  GR*1(20),GRV1(20),GRP1(3),GRV2NG(20),GRM2NG(20),GRV2PL(20)
3  ,GRP2PL(20),GRP2PL(3),GRP2NG(3),FPMIN(3),FVMIN(20),FMMIN(20),
4  FPMAX(3),FVMAX(20),FMMAX(20),ZMONT,ZMOMB,XL(20)
C
C   COMMON/IFLAGS/IRDATA(35),ISDATA(35),ICCN(6)
C
C   REAL MU,NU,M0,ND,NLAY,NO
C   INTEGER AASHTO(4),CHECK(8)
C   DIMENSION INDEX(8),DS(6),SIDE(3),SH(8,10),POINT(6),GOVERN(15),
1  PRINT(18),Z1(4,6),CRACK(6),AMIN(6),AMAX(6),AREAF1(6)
C   DIMENSION INDEX2(8)
C   DATA INDEX /2,4,5,7,9,11,12,14/,SIDE/' IN',' OUT',
1  'BOTH',POINT/'4 ','5:11','12 ','1 ','15 ','8 '/
2  ,GOVERN/' FL',4HEXUR,4HE    ,4H MIN,4H. ST,4HEEL ,4PCRAC.

```

```

3 4MK WI,4HDTF ,4HMAX ,4HCON ,4HCOMP /
DATA INDEX/2,3,6,7,9,10,13,14/
DATA AASMTQ/3,6,10,13 /,CHECK/30,33,31,35,31,35,32,34/,
1 YES/* YES*/,NO/* NO * /

```

C

C

```

FIND DESIGN VALUES FOR EACH REINFORCING MEMBER

```

```

DO 71 L=1,8

```

```

DO 71 M=1,10

```

```

SH(L,M)=0.0

```

```

71 CONTINUE

```

C

C

```

AS 1

```

```

DM(1)=-FMIN(4)

```

```

DP(1)=ABS(FPMIN(1))

```

```

DM(2)=AMAX1(-FMIN(5),-FMIN(11))

```

```

DP(2)=ABS(FPMIN(2))

```

```

DM(3)=-FMIN(12)

```

```

DP(3)=ABS(FPMIN(3))

```

C

C

```

AS 2

```

```

DM(4)=FMMAX(1)

```

```

DP(4)=ABS(FPMAX(1))

```

C

C

```

AS 3

```

```

DM(5)=FMMAX(15)

```

```

DP(5)=ABS(FPMAX(3))

```

C

C

```

AS 4

```

```

DM(6)=FMMAX(8)

```

```

DP(6)=ABS(FPMAX(2))

```

C

```

DS(1)=TT

```

```

DS(2)=TS

```

```

DS(3)=TB

```

```

DS(4)=TT

```

```

DS(5)=TB

```

```

DS(6)=TS

```

C

```

FYPSI=FY*1000.

```

```

FCPSI=FCP*1000.

```

```

B1=0.85-0.05*(FCP-4.)

```

```

IF (B1 .GT. 0.85) B1=0.85

```

```

IF (B1 .LT. 0.65) B1=0.65

```

```

DO 10 I=1,6

```

```

FLAY=0.0

```

```

COI=0.0

```

```

ICON(I)=1

```

C



C FIND STEEL AREA FOR FLEXURE

C

```
PHIDF=SDATA(29+I)*PQF
EQ=10.2*FCPPSI
FLEX =EQ*PHIDF**2 - DP(I)+1000.*(2.*PHIDF-DS(I)) -
1 2000.0*DM(I)
IF (FLEX .LT. 0.0) AS(I) = 1.0E15
IF (FLEX .GE. 0.0) AS(I)=(EQ*PHIDF - DP(I)+1000.0 -
1 SORT(EQ*FLEX) ) / FYPSI
SRATIO(I)=AS(I)/12./PHIDF
AREAFL(I)=AS(I)
```

C

C

C

MINIMUM STEEL AREA FOR FLEXURE

```
AMIN(I)=0.024*DS(I)
IF (AS(I).GT.0.024*DS(I)) GO TO 2
AS(I)=DS(I)*0.024
SRATIO(I)=AS(I)/12./PHIDF
ICON(I)=2
2 AREAMF=6.6E5*B1*FCPPSI*PHIDF/FYPSI/(FYPSI+87000.)
1 - (750.*DP(I)/FYPSI)
AMAX(I)=AREAMF
IF (AS(I) .LT. AREAMF) GO TO 3
WRITE(IW,1001) POINT(I),DM(I),DP(I),AS(I),AREAMF
1001 FORMAT(1X,90(***),/,*, DESIGN NOT POSSIBLE AT SECTION *,A4,* DUE*
2,* TO EXCESSIVE CONCRETE COMPRESSION*/*, DM=*,F10.3,* IN.KIPS/FT*
3 *,5X,*DP= *,F10.3,* KIPS/FT.*,/,*,TB,*REQUIRED STEEL AREA = *,
4F10.3,* SQ.IN./FT.*,1CX,*MAXIMUM STEEL AREA = *,F10.3,
5 * SQ.IN./FT.*,/,1X,96(***),/,,)
AS(I) = 1.0E15
SRATIO(I) = 1.0E15
ICON(I) = 4
GO TO 10
3 CONTINUE
```

C

C

C

STEEL AREA BASED ON 0.01 INCH CRACK

```
K=RTYPE+0.5
GO TO (1000,2000,3000), K
1000 CC=1.0
R2=(0.5*CT(I)**2*SDATA(6+I)/NLAY)**(1./3.)
GO TO 140
2000 CC=1.5
R2=1.0
FLAY=CT(I)**2*SDATA(6+I)/NLAY
C
GO TO 140
3000 CC=1.9
```

```

      B2=(0.5*CT(I)**2*SDATA(6+I)/NLAY)**(1./3.)
140  CONTINUE
      M0=DM(I)/FLMV*1000.
      N0=DP(I)/FLN*1000.
      E=M0/N0+SDATA(29+I)-DS(I)/2.
      IF (E/SDATA(29+I) .LT. 1.15) GO TO 13
      AJ=0.74+0.1*E/SDATA(29+I)
      IF (AJ .GT. 0.9 ) AJ=0.9
      AP=1./(1.-AJ+SDATA(29+I)/E)
7    CONTINUE
      R2 = (M0 + N0*(SDATA(29+I)-DS(I)/2.))/AJ/AP
      R1 = C0*12.*DS(I)**2*SQR(FCPPSI)
      AREA01 = (R2-R1)*R2/30000./PHIDF/FCR
      IF ( C01 .EQ. 1 ) GO TO 9
      IF ( FLAY .LT. 3 ) GO TO 11
      C01=1.
      C0=1.9
      B2=(0.5*FLAY)**(1./3.)
      AREA012=AREA01
      GO TO 7
9    IF ( AREA012 .GT. AREA01 ) AREA01=AREA012
11   CONTINUE
      CRACK(I)=AREA01/AS(I)
      IF ( CRACK(I) .LE. 1. ) GO TO 13
      ICON(I)=3
      AS(I)=AREA01
      SRATIO(I)=AS(I)/12./PHIDF
13   CONTINUE
10  CONTINUE
      IF(IDBUG.LT.2) GO TO 164
      DO 2007 I=1,6
      PRINT(3*I-2) = GOVERN(ICON(I)*3-2)
      PRINT(3*I-1) = GOVERN(ICON(I)*3-1)
      PRINT(3*I) = GOVERN(ICON(I)*3)
2007 CONTINUE
      WRITE(IN,2005) (POINT(I),I=1,6),(DM(I),I=1,6),(DP(I),I=1,6),
1 (SDATA(29+I),I=1,6),(AREAF(I),I=1,6),(AMIN(I),I=1,6),
2 (AMAX(I),I=1,6),(CRACK(I),I=1,6),(AS(I),I=1,6)
2005 FORMAT('D',T50,'***** FLEXURE DESIGN TABLE *****',/,
1'REINFORCING',T28,'AS 8',T52,'AS 1',T73,'AS 2',T88,'AS 3',T103,
2 'AS 4',/,T40,23(' '),/, 'DESIGN SECTION',T29,6(A4,11X),/,
3 'ULTIMATE MOMENT',T20,6F15.5,/, ' IN.KIPS/FT',/,
4 'ULTIMATE THRUST',T20,6F15.5,/, ' KIPS/FT',/,
5 'DEPTH TO STEEL',T20,6F15.5,/, ' IN.',/,
6 'STEEL AREAS(FLEX)',T20,6F15.5,/, ' SQ.IN./FT',/,
7 'MIN. FLEX STEEL',T20,6F15.5,/, ' SQ.IN./FT',/,
8 'MAX. FLEX STEEL',T20,6F15.5,/, ' SQ.IN./FT',/,
9 'CRACK INDEX',T20,6F15.5,/,/,

```

```

1 *GOVERNING STEEL*.T20.6F15.5./.* SQ.IN./FT*./)
WRITE (IW,2099) (PRINT(I),I=1,18)
2099 FORMAT(' GOVERNING MODE*.T26.6(3A4.3X)./*1* )
164 CONTINUE
IF (AS(2).GT. AS(3)) GO TO 25
AS(2)=AS(3)
ICON(2)=ICON(3)
SRATIO(2)=SRATIO(3)
25 CONTINUE
DO 30 I=3,5
AS(I)=AS(I+1)
SRATIO(I)=SRATIO(I+1)
ICON(I)=ICON(I+1)
30 CONTINUE

C
C   DIAGONAL TENSION CHECK
C
FCPSI=FCPPSI
IF ( FCPSI .GT. 7000.) FCPSI=7000.0

C
C   AASHTO SHEAR CHECK - METHOD 1
C
DO 60 I=1,4
N1 = 3
Z1(I,5) = NO
D = AMIN1(SDATA(CHECK(2*I-1)),SDATA(CHECK(2*I)) )
IF (FMIN(AASHTO(I)).NE. 0.0 ) GO TO 61
D = SDATA(CHECK(2*I))
N1 = 1
61 IF (FMAX(AASHTO(I)).NE. 0.0 ) GO TO 62
D = SDATA(CHECK(2*I-1))
N1 = 2
62 CONTINUE
PHIDV = D * P0V
VU = AMAX1(FV*AX(AASHTO(I)),-FV*IN(AASHTO(I)))
IF ( VU .LT. 0.036 * SQRT(FCPSI) * PHIDV ) GO TO 65
WRITE(IW,9501) AASHTO(I),SIDE(N1)
ISDATA(25+I) = 1
Z1(I,5) = YES
65 CONTINUE
Z1(I,1) = VU
Z1(I,2) = 0.036 * SQRT(FCPSI) * PHIDV
Z1(I,3) = Z1(I,1) / Z1(I,2)
Z1(I,4) = D
60 CONTINUE

C
DO 432 I=1,5
432 SRATIO(I)=SRATIO(I)*PGF/P0V

```

```

CONTINUE
DO 1500 I=1,3
RHO1=SRATIO(2)
MU=ABS(FPMAX(I))
C
IF (I-2) 1100,2100,3100
C
C      TOP SLAB
C
1100 CONTINUE
N = 1
K1=2
RHO1=SRATIO(1)
RHO2=SRATIO(3)
DIN=SDATA(33)
DOUT=SDATA(30)
GO TO 4000
C
C      SIDE WALL
C
2100 CONTINUE
N = 3
K1 = 6
RHO2=SRATIO(5)
DIN=SDATA(35)
DOUT=SDATA(31)
GO TO 4000
C
C      BOTTOM SLAB
C
3100 CONTINUE
N = 7
K1 = 8
RHO2=SRATIO(4)
DIN=SDATA(34)
DOUT=SDATA(32)
C
4000 CONTINUE
DO 2500 K=N,K1
VU=AMAX1(FVMAX(INDEX(K)),-FVMIN(INDEX(K)))
VU2 = AMAX1(FVMAX(INDEX2(K)),-FVMIN(INDEX2(K)))
IF ( VU .EQ. 0.0 ) GO TO 2500
IF (FMMAX(INDEX(K))+FMIN(INDEX(K)) ) 5000, 6000, 7000
C
5000 RHO=RHO1
MU=FMIN(INDEX(K))
D=DOUT
N1=2

```

GO TO 8000

C

```

6000  RHO=AMINI(RH01,RH02)
      MU=FM*MAX(INDEX(K))
      D=AMIN1(DIN,DOUT)
      N1=3
      GO TO 8000

```

C

```

7000  RHO=RH02
      MU=FM*MAX(INDEX(K))
      D=DIN
      N1=1

```

C

```

8000  CONTINUE
      SH(K,1)=ABS(MU/VU/D/PCV)
      SH(K,2)=VU2
      SH(K,3)=MU
      SH(K,4)=RHO
      SH(K,5)=D
      IF ( RHO .GT. 0.02 ) RHO=0.02
      FD=0.8+1.6/D
      IF ( FD .GT. 1.25 ) FD=1.25
      FN=0.5-MU/VU/6.0+SQRT(0.25+(MU/VU/6.0)**2)
      IF(FN.LT.0.75) FN=0.75
      AMVD=ABS(MU/VU/D/POV)
      IF(AMVD.GT.3.0) AMVD=3.0
      VC = (1.1+63.0*RHO) * SQRT(FCPSI) * POV * D *12.*FD/FN*
          4./AMVD+1.)
1     IF(VC .GT. 4.5*SQRT(FCPSI)*POV*12.*D) VC=4.5*SQRT(FCPSI)*POV*12.*D
      RDT = VU2*1000.0/VC
      SH(K,6)= XL(INDEX(K))
      SH(K,7)=FN
      SH(K,8)=VC/1000.0
      SH(K,9)=RDT
      IF ( RDT .LE. 1.6 ) GO TO 2500
      ASINC=3.968*VU2*FN*(AMVD+1.)/FD/SQRT(FCPSI)-0.2095*D*POV
      SH(K,10)=ASINC
      IF ( ASINC/12./POV/D .LT. 0.02 ) GO TO 9500
      WRITE(14,9501) INDEX(K),SIDE(N1)
9501  FORMAT(/,T30,50(1H),/,T30,*,*,4RX,*,*,/,T30,*,*,20X,*WARNING*,
1     21X,*,*,/,T30,*,*,9X,*DESIGN NOT POSSIBLE AT SECTION *,I2,6X,
2     *,*,/,T30,*,*,6X,*STIRRUPS ARE REQUIRED ON *,A4,*SIDE STEEL*,
3     3X,*,*,/,T30,50(***))
      ISDATA(13+K)=1
      SH(K,10) = 1.0E15
      GO TO 2500
9500  IF ( MU .LT. 0.0 ) GO TO 2001
      IF (I-2) 1003,1002,1006

```

```

C
C      BOTTOM SLAB
1006 CONTINUE
      IF(ASINC.LT.AS(4)) GO TO 2500
      AS(4)=ASINC
      ICON(4)=4
      SRATIO(4)=ASINC/12./D/POV
      GO TO 2500
C
C      SIDE WALL
1002 CONTINUE
      IF(ASINC.LT.AS(5)) GO TO 2500
      AS(5)=ASINC
      ICON(5)=4
      SRATIO(5)=ASINC/12./D/POV
      GO TO 2500
C
C      TOP SLAB
1003 CONTINUE
      IF(ASINC.LT.AS(3)) GO TO 2500
      AS(3)=ASINC
      ICON(3)=4
      SRATIO(3)=ASINC/12./D/POV
      GO TO 2500
C
2001 CONTINUE
      IF(I.EQ.1) GO TO 2003
      IF(ASINC.LT.AS(2)) GO TO 2500
      AS(2)=ASINC
      ICON(2)=4
      SRATIO(2)=ASINC/12./D/POV
      GO TO 2500
2003 IF(ASINC.LT.AS(1)) GO TO 2500
      AS(1)=ASINC
      ICON(1)=4
      SRATIO(1)=ASINC/12./D/POV
2500 CONTINUE
1500 CONTINUE
C
      SDATA(19) = ZMOMT + TS/2. - CT(1) - SDATA(1)/2.
      SDATA(20) = SPAN + ZMOMR + 1.5*TS - CT(3) - SDATA(3)/2.
C
C
      IF(IDRUG.LT.2) GO TO 174
      WRITE(IW,2008) (AASHTC(K),K=1,4),((Z1(I,J),I=1,4),J=1,5)
2008 FORMAT(/,T46,'*** SHEAR DESIGN TABLE - METHOD 1 ***',/,
1 *DESIGN SECTION*,T32,3(I2,24X),I2,/, * ALL SECTIONS ARE AT D',/,
2 * FROM THE HAUNCH',/, *ULTIMATE SHEAR',T26,4(F10.3,16X),/,

```

```

5 *      KIPS/FT*,/,*,*ALLOWABLE SHEAR*,T26,4(F10.3,16X),/,
3 *      KIPS/FT*,/,*,*DIAGONAL TENSION*,T29,3(F10.6,16X),F10.6,/,
4 *      INDEX LIMIT*,/,*,*DEPTH-TO STEEL*,T28,4(F10.5,16X),/,
5 *      IN.,/,*,*STIRRUPS REQUIRED?*,T31,3(A4,22X),A4  )
WRITE(IL,2036) (INDEX(K),K=1, 8), ((SH(K,I),K=1, 8),I=1,10)
2006 FORMAT('D',/,T46,*,***** SHEAR DESIGN TABLE - METHOD 2 *****/,/
1 *DESIGN SECTION*,T26,8(I2,11X),/,/,/,
2 *SM/(V*PHT*0)*,T20,8(F10.3,3X),/,/,
3 *ULTIMATE SHEAR*,T20,8(F10.3, 3X),/,*,      KIPS/FT*,/,
4 *ULTIMATE THRUST*,T20,8(F10.3,3X),/,*,      KIPS/FT*,/,
5 *STEEL RATIO*,T23,8(F10.6,3X),/,
6 *DEPTH TO STEEL*,T22,8(F10.5,3X),/,7X,*IN.,*,/,
7 *DISTANCE FROM*,T20,8(F10.3,3X),/,*, A-END, IN.,/,
8 *THRUST FACTOR (FR)*,T23,8(F10.6,3X),/,
9 *DIAGONAL TENSION*,T20,8(F10.3,3X),/,*, STRENGTH, KIPS/FT*,/,
1 *ULTIMATE SHEAR/ *,T23,8(F10.6,3X),/,*, ALLOWABLE SHEAR*,/,
2 *NEW STEEL AREA DUE*,T23,8(F10.6,3X),/,*, TO DIAGONAL TENSION*,/
3 * SQ.IN./FT* )
174 RETURN
END

```

## SUPPORTIVE OUTPUT

```

C
C ORGANIZES AND PRINTS OUT A ONE CELL BOX DESIGN SUMMARY SHEET.
C THE PRINT OUT INCLUDES THE FOLLOWING:
C   INSTALLATION DATA
C   LOADING DATA
C   MATERIAL PROPERTIES
C   CONCRETE DATA
C   REINFORCING STEEL DATA
C THE OUTPUT IS AVAILABLE WITH ALL IDBUG VALUES.
C

```

```

COMMON /IFLAGS/ IRDATA,ISDATA
COMMON /ISCALE/NIT,NOLD,IDBUG,IR,IL,ITAPE,IPATH,ICYC,NINT
INTEGER ISDATA(35),IRDATA(35)
COMMON/RSCALE/BDATA(35),SDATA(35)
REAL JLOAD(12,5)
COMMON/ANAL/JLOAD,STIF(12,12),FIXMO(4,5,4),DP(6),DV(6),DP(6),
1 AS(6),SRATIO(6)
EQUIVALENCE (SPAN,BDATA(1))
DIMENSION STAF(5,2),ISB(5),STIRR(2)
DATA STIRR /* NO *,*YES* /
DATA ISB/3,1,4,2,5/
T=1.E-06
C=12.
D=1.728E6
OSPAN=BDATA(1)/C+T
ORISE=BDATA(2)/C+T
OH=BDATA(10)/C+T
OGAMAS=BDATA(7)*D+T
OZETA=BDATA(14)
ALPHA = (1+SDATA(25))*BDATA(14)
IF ( IRDATA(14).EQ.2) CZETA=C.
DO 30 I=1,5
K=ISB(I)
STAF(I,1)=AS(K)
30 CONTINUE

```

```

STAR(1,2)= STIRR(MAX0(ISDATA(14),ISDATA(15),ISDATA(26))* 1 )
STAR(2,2)= STAR(1,2)
STAR(3,2)= STIRR(MAX0(ISDATA(20),ISDATA(21),ISDATA(29))*1)
STAR(4,2)= STIRR(MAX0(ISDATA(16),ISDATA(19),ISDATA(27),
1 ISDATA(28),ISDATA(17),ISDATA(18))*1)
STAR(5,2)= STAR(4,2)

```

C

```
WRITE(IW,1) OSPAN,ORISE
```

C

```
WRITE(IW,4)
WRITE(IW,97)
WRITE(IW,5) OH,OGANAS,OZETA,ALPHA,BDATA(15)
```

IV G LEVEL 21

OUTPUT

DATE = 82251

18/35/09

C

```
WRITE(IW,6)
WRITE(IW,97)
WRITE(IW,7) BDATA(22),BDATA(23),BDATA(9),BDATA(13),BDATA(24)
```

C

```
WRITE(IW,2)
WRITE(IW,97)
WRITE(IW,3) BDATA(20),BDATA(21),BDATA(27)
```

C

```
WRITE(IW,8)
WRITE(IW,97)
WRITE(IW,9) (BDATA(I),I=3,5),(BDATA(I),I=11,12),
1 (BDATA(I),I=30,35)
```

C

```
WRITE(IW,10)
WRITE(IW,97)
WRITE(IW,11)
WRITE(IW,12) ((STAR(I,J),J=1,2),I=1,5)
```

C

```
WRITE(IW,13) SDATA(19),SDATA(20)
```

C

C..... F O R M A T S

C

```
97 FORMAT(T10,72(*-*))
```

C.....

```
1 FORMAT(*1*,T10,F4.1,* FT. SPAN X *,F4.1,* FT. RISE REINFORCED CONC
1RETE BOX SECTION*/T10,72(*-*))
```

C.....

```
4 FORMAT( /T10,*I N S T A L L A T I O N D A T A*)
```

C.....

```
5 FORMAT(T12,*HEIGHT OF FILL OVER CULVERT,FT*,T70,F12.3,/,
1 T12,*UNIT WEIGHT, PCF*,T70,F12.3,/,
2 T12,*MINIMUM LATERAL SOIL PRESSURE COEFFICIENT*,T70,F12.3,/,
3 T12,*MAXIMUM LATERAL SOIL PRESSURE COEFFICIENT*,T70,F12.3,/,
4 T12,*SOIL - STRUCTURE INTERACTION COEFFICIENT*,T70,F12.3 )
```

C.....

```
6 FORMAT( /T10,*L O A D I N G D A T A*)
```

C.....

```
7 FORMAT(T12,*LOAD FACTOR - MOMENT AND SHEAR*,T70,F12.3,/,
1 T12,*LOAD FACTOR - THRUST*,T70,F12.3,/,
2 T12,*STRENGTH REDUCTION FACTOR-FLEXURE*,T70,F12.3,/,
3 T12,*STRENGTH REDUCTION FACTOR-DIAGONAL TENSION*,T70,F12.3,/,
4 T12,*LIMITING CRACK WIDTH FACTOR*,T70,F12.3)
```

C.....

```
2 FORMAT( /T10,*M A T E R I A L P R O P E R T I E S*)
```



C.....

```
3 FORMAT(T12,*STEEL - MINIMUM SPECIFIED YIELD STRESS, KSI*,T70,  
1 F12.3/T12,*CONCRETE - SPECIFIED COMPRESSIVE STRENGTH, KSI*,
```

IV 6 LEVEL 21

OUTPUT

DATE = 82251

18/35/09

```
2 T70,F12.3,/,  
3 T12,*REINFORCING TYPE*,T70,F12.3)
```

C.....

```
8 FORMAT( /T10,*C O N C R E T E   D A T A*)
```

C.....

```
9 FORMAT(  
1 T12,*TOP SLAB THICKNESS, IN.*,T70,F12.3/  
2 T12,*BOTTOM SLAB THICKNESS, IN.*,T70,F12.3/  
3 T12,*SIDE WALL THICKNESS, IN.*,T70,F12.3,/,  
4 T12,*HORIZONTAL HAUNCH DIMENSION, IN.*,T70,F12.3/  
5 T12,*VERTICAL HAUNCH DIMENSION, IN.*,T70,F12.3,/,  
6 T12,*CONCRETE COVER OVER STEEL, IN. *,T70,/,  
7 T12,*TOP SLAB - OUTSIDE FACE*,T70,F12.3,/,  
8 T12,*SIDE WALL - OUTSIDE FACE*,T70,F12.3,/,  
9 T12,*BOTTOM SLAB - OUTSIDE FACE*,T70,F12.3 , /,  
0 T12,*TOP SLAB - INSIDE FACE*,T70,F12.3,/,  
1 T12,*BOTTOM SLAB - INSIDE FACE*,T70,F12.3,/,  
2 T12,*SIDE WALL - INSIDE FACE*,T70,F12.3 )
```

C.....

```
10 FORMAT( /T10,*R E I N F O R C I N G   S T E E L   D A T A*)
```

C.....

```
11 FORMAT(T12,35X,*AREA*,19X,/,T12,12X,*LOCATION*,14X,*SQ. IN.*,6X,  
1 *STIRRUPS*,/,T12,34X,*PER FT*,7X,*REQUIRED?*,/,T12,70(1H-))
```

C.....

```
12 FORMAT(T12,* TOP SLAB - INSIDE FACE*,  
1 6X,F5.3,10X,A4/  
1 T12,* TOP SLAB - OUTSIDE FACE*,  
1 6X,F5.3,10X,A4/  
2 T12,* BOTTOM SLAB - INSIDE FACE*,  
3 6X,F5.3,10X,A4/  
4 T12,* SIDE WALL - OUTSIDE FACE*,  
5 6X,F5.3,10X,A4/  
6 T12,* SIDE WALL - INSIDE FACE*,  
7 6X,F5.3,10X,A4/  
8 T12,70(*-*))
```

C.....

```
13 FORMAT(T12,* - *PROGRAM ASSIGNED VALUE**/  
1 T12,*THE SIDE WALL OUTSIDE FACE STEEL IS BENT AT THE CULVERT CORN  
2ERS AND*/ T12,*EXTENDED INTO THE OUTSIDE FACE OF THE TOP AND BOTTO  
3M SLABS. THE*/T12,*THEORETICAL CUT-OFF LENGTHS MEASURED FROM*,  
4 * THE BEND POINT ARE*,F5.1,/,T12,*AND*,F5.1,* IN. RESPECTIVELY. *,  
6 *ANCHORAGE LENGTHS MUST BE ADDED.*)
```

C.....

```
RETURN  
END
```



# Appendix H: FHWA-IP-83-6

## Computer Program Listings Part II

[Go to Table of Contents](#)

### Program PIPECAR

```

LV G LEVEL 21          MAIN          DATE = 82251          18/99/55

C
C
C   PROGRAM PIPECAR
C
C   ANALYSIS AND DESIGN PROGRAM FOR REINFORCED CONCRETE PIPE
C
C   SUBMITTED TO FEDERAL HIGHWAY ADMINISTRATION - AUGUST 1982
C   DEVELOPED FOR FHWA PROJECT NO. DOT-FH-11-9692
C   BY SIMPSON GUMPERTZ AND HEGER INC. 1696 MASSACHUSETTS AVENUE
C                                     CAMBRIDGE, MASSACHUSETTS 02138
C   EXAMPLE STANDARD PLANS FOR IMPROVED INLETS
C
C   THIS IS THE MAIN PROGRAM. IT SEQUENTIALLY CALLS THE VARIOUS
C   SUBROUTINES NEEDED TO COMPLETE THE ANALYSIS AND DESIGN OF
C   THE PIPE
C
COMMON/ISCALE/IDRUG,IPATH                                00030
COMMON/IFLAG/IBDATA(35)                                  00020
COMMON/PRESS/DLPR(37),DLPT(37),SLPR(37),SLPT(37),FLPR(37)
1,FLPT(37)                                               00040
COMMON/COURD/X(37),Y(37),A(37),R,BS                    00050
COMMON/RSCALE/RDATA(35)                                  00070
COMMON/STAR/AREA1(5),SRATIO(5),SGOV(5),AREADT(5),STEXT(5),
1STSPA(5)                                               00080
COMMON/DESIGN/ZOM(5),DV(5),DP(5),VLCC(5)                00090
COMMON/PROP/SI(37),CD(37),ALEN(37)                      00100
COMMON/CONST/K1(3,3,36),K2(3,3,36),K12(3,3,36)         00110
COMMON/LOAD/F1(3,3,36),F2(3,3,36)                       00120
COMMON/DISP/UN(3,3,37)                                   00130
COMMON/PVM/PVM1(3,3,36),PVM2(3,3,36)                    00140
COMMON/REACTI/R(3,3,2)                                   00150
DOUBLE PRECISION K1, K2, K12, F1, F2, PVM1, PVM2
DOUBLE PRECISION UN,R
C
2000 CONTINUE                                           00170
      IPATH=0                                           00180
      CALL REAU                                           00190
      IF (IPATH .GT. 0) GO TO 3000                       00200
      IF (IPATH .LT. 0) GO TO 1000                       00210
      CALL INIT                                           00220
      IF (IPATH .LT. 0) GO TO 1000                       00230
      CALL GEOMET                                         00240
      CALL LOADS                                          00250
      CALL STIFF                                          00260
      CALL LDMATR(DLPR,DLPT,1)                            00270

```

CALL LDMATR(SLPR,SLPT,2)  
 CALL LDMATR(FLPR,FLPT,3)  
 CALL RECUR

00281  
 00291  
 00301

IV G LEVEL 21 MAIN DATE = 82251 18/44/55

CALL REACT 00320  
 CALL TRSHMG 00310  
 CALL PVMAX 00330  
 CALL DESGN  
 CALL PRINT 00350  
 1000 CONTINUE 00360  
 GO TO 2000 00370  
 3000 CONTINUE 00380  
 STOP 00390  
 END 00400

IV G LEVEL 21 READ DATE = 82251 18/44/55

SUBROUTINE READ 00440  
 C  
 C THIS SUBROUTINE READS ALL THE INPUT IN A SPECIFIED FORMAT AND  
 C TRANSFERS THE DATA INTO THE RDATA ARRAY. THE EXECUTION OF READ  
 C IS CONTROLLED BY THE KODE VARIABLE ON THE INPUT CARDS. A KODE  
 C GREATER THAN 12 SIGNALS THE END OF THE INPUT DATA. READ REPRINTS  
 C THE INPUT CARDS AS IT READS THEM AS A CHECK FOR THE USER.  
 C  
 COMMON/IFLAG/IRDATA(35) 00480  
 COMMON/RSCALE/RBDATA(35) 00490  
 COMMON/ISCALE/IDBUG,IPATH 00500  
 DIMENSION TEXT(5),O(6),LAT(12),DSCPTR(6) 00510  
 DATA LAT /3,2,1,3,3,1,2,2,3,4,2,3/  
 C \* \* \* \* \* 00530  
 C IRDATA = VALUE NOT READ 00550  
 C =+1 VALUE WAS READ 00560  
 C =-1 VALUE WAS DEFAULTED 00570  
 C WIRE DIAMETERS ARE NOT DEFAULTED 00580  
 C  
 DO 5 I=1,35 00600  
 RDATA(I)=0.0 00610  
 IRDATA(I)=0 00620  
 5 CONTINUE 00630  
 WRITE (6,99) 00640  
 99 FORMAT(1H1)  
 READ(5,1020,END=993) (RDATA(I), I=1,20), IDBUG  
 1020 FORMAT (19A4, A3,11)  
 C  
 C IDBUG CONTROLS PRINT 00690  
 C IDBUG =0-----INPUT ARRAY AND TOTAL LOADS AND FINAL DESIGN 00700  
 C =1-----ABOVE + REACTIONS AND DESIGN FORCES 00710  
 C =2-----ABOVE + GEOMETRY,MOMENTS,THRUSTS AND SHEARS 00720  
 C =3-----ABOVE + STIFFNESS MATRICES AND JOINT 00730  
 C DISPLACEMENTS 00740  
 C  
 3 WRITE (6,1021) (RDATA(I),I=1,20),IDBUG  
 1021 FORMAT (1X,20A4,12)  
 1 READ (5,1000) KODE, (TEXT(I), I=1,5), (O(I), I=1,6) 00820  
 IF ( KODE .GT. 12 ) GO TO 995 00850  
 4 K=LAT(KODE) 00860  
 GO TO (10,20,30,40,50,60,70,80,90,100,110,120), KODE 00900  
 C  
 C RADIUS1, RADIUS2, DEPTH OF FILL KODE=1 00920  
 P

```

10 CONTINUE                                00930
   IF(D(2) .EQ. 0.0) GO TO 15              00931
   WRITE(6,1002) KODE,(TEXT(I),I=1,5),(D(I),I=1,K) 00932
   BDATA(1)=D(1)                           00951

```

IV G LEVEL 21 READ DATE = 02251 10/44/55

```

   BDATA(2)=D(2)                            00960
   BDATA(3)=D(3)                            00970
   IRDATA(1)=1
   IRDATA(2)=1
   IRDATA(3)=1
   GO TO 1                                    00990
15 CONTINUE                                  01000
   WRITE(6,1001) KODE,(TEXT(I),I=1,5),D(I),D(3) 01001
   BDATA(1)=D(1)/2
   BDATA(2)=D(1)/2
   BDATA(3)=D(3)                            01020
   IRDATA(1)=1
   IRDATA(3)=1
   IRDATA(2)=-1                             01040
   BDATA(4)=0.00001
   BDATA(5)=0.00001
   IRDATA(4)=-1
   IRDATA(5)=-1
   GO TO 1                                    01070

```

C  
C U,V, KODE=2

```

20 CONTINUE                                  01100
   WRITE(6,1003) KODE,(TEXT(I),I=1,5),(D(I),I=1,K) 01101
   BDATA(4)=D(1)                            01110
   BDATA(5)=D(2)                            01120
   IRDATA(4)=1
   IRDATA(5)=1

```

```

25 CONTINUE                                  01150
   GO TO 1                                    01160

```

C  
C SLAB THICKNESS KODE=3 01180

```

30 CONTINUE                                  01190
   WRITE(6,1004) KODE,(TEXT(I),I=1,5),(D(I),I=1,K) 01191
   BDATA(6)=D(1)                            01200
   IRDATA(6)=1                              01210
   GO TO 1                                    01220

```

C  
C BEDDING ANGLE, LOAD ANGLE, SOIL-STRUCTURE INTERACTION COEFFICIENT, KODE=4

```

40 CONTINUE                                  01250
   WRITE(6,1005) KODE,(TEXT(I),I=1,5),(D(I),I=1,K) 01251
   BDATA(7)=D(1)                            01260
   IRDATA(7)=1                              01270
   BDATA(8)=D(2)
   IRDATA(8)=1
   BDATA(9)=D(3)

```

	IBDATA(8)=1		01290
	GO TO 1		01300
C			
C	DENSITIES: GAMAS, GAMAC, GAMAF	KODE=5	01320
C			
56	CONTINUE		01330
	WRITE(6,1006) KODE,(TEXT(I),I=1,5),(D(I),I=1,K)		01331
	RDATA(9)=D(1)		01340
	RDATA(10)=D(2)		01350
	RDATA(11)=D(3)		01360
	IBDATA(9)=1		01370
	IBDATA(10)=1		01380
	IBDATA(11)=1		01390
	GO TO 1		01400
C			
C	FLUID PARAMETERS	KODE=6	01420
C			
60	CONTINUE		01430
	WRITE(6,1007) KODE,(TEXT(I),I=1,5),(D(I),I=1,K)		01431
	RDATA(12)=D(1)		01440
	IBDATA(12)=1		01450
	GO TO 1		01460
C			
C	MATERIAL STRENGTH: F(Y),F(CF)	KODE=7	01480
C			
70	CONTINUE		01490
	WRITE(6,1008) KODE,(TEXT(I),I=1,5),(D(I),I=1,K)		01491
	IF (D(1) .EQ. 0.) GO TO 71		01500
	RDATA(13)=D(1)		01510
	IBDATA(13)=1		01520
71	IF (D(2) .EQ. 0.) GO TO 1		01530
	RDATA(14)=D(2)		01540
	IBDATA(14)=1		01550
	GO TO 1		01560
C			
C	CONCRETE COVER	KODE=8	01580
C			
80	CONTINUE		01590
	WRITE(6,1009) KODE,(TEXT(I),I=1,5),(D(I),I=1,K)		01591
	RDATA(15)=D(1)		01600
	IBDATA(15)=1		01610
	RDATA(16)=D(2)		01620
	IBDATA(16)=1		01630
	GO TO 1		01640
C			
C	LOAD FACTORS, CAP. RED. FACTORS	KODE=9	
C			
90	CONTINUE		01670

```

WRITE(6,1010) KODE,(TEXT(I),I=1,5),(D(I),I=1,K)          01671
RDATA(17)=D(1)                                           01680
RDATA(25)=D(2)
BDATA(33)=D(3)
IBDATA(17)=1                                             01700
IRDATA(25)=1
IHDATA(33)=1
GO TO 1                                                  01720
C
C WIRE DIAMETERS,TYPE,LAYERS                KODE=10      01740
C
100 CONTINUE                                           01750
WRITE(6,1011) KODE,(TEXT(I),I=1,5),(D(I),I=1,K)      01751
IF (D(1) .EQ. 0.0 ) GO TO 105                          01760
RDATA(14)=D(1)                                          01770
IRDATA(14)=1                                           01780
105 IF (D(2) .EQ. 0.) GO TO 106                        01790
RDATA(20)=D(2)                                          01800
IBDATA(20)=1                                           01810
106 IF (D(3) .EQ. 0.0 ) GO TO 107                      01820
RDATA(21)=D(3)                                          01830
IBDATA(21)=1                                           01840
107 IF (D(4) .EQ. 0.0 ) GO TO 1                        01850
RDATA(22)=D(4)                                          01860
IBDATA(22)=1                                           01870
GO TO 1                                                  01880
C
C WIRE SPACING                                KODE=11      01900
C
110 CONTINUE                                           01910
WRITE(6,1012) KODE,(TEXT(I),I=1,5),(D(I),I=1,K)      01911
IF (D(1) .EQ. 0.0 ) GO TO 115                          01920
RDATA(23)=D(1)                                          01930
IBDATA(23)=1                                           01940
115 IF (D(2) .EQ. 0.0 ) GO TO 1                        01950
RDATA(24)=D(2)                                          01960
IRDATA(24)=1                                           01970
GO TO 1                                                  01980
C
C DESIGN FACTORS : FCR,FRP,FVP              KODE=12
C
120 CONTINUE                                           02010
WRITE(6,1013) KODE,(TEXT(I),I=1,5),(D(I),I=1,K)      02011
RDATA(26)=D(1)
RDATA(34)=D(2)
RDATA(35)=D(3)
IBDATA(26)=1
IBDATA(34)=1

```

```

      TRODATA(35)=1
      GO TO 1                                02080
C
C   END OF DATA,  MODE AT 12              02100
C
993  CONTINUE                               02110
      IPATH=1                               02120
      WRITE(6,1014)                         02129
C
C   FORMAT STATEMENTS FOR INPUT VALUES
C
1000 FORMAT (I2, 4A4, 42, 6F10.3 )
1001  FORMAT(5X,I2,3X,5A4,3X,12HINSODIAN(IN),1X,F10.3,
126X,12HDPTHFTLL(FT),1X,F10.3)           02131
1002  FORMAT(5X,I2,3X,5A4,3X,12HRADIUS 1(IN),1X,F10.3,2X,
112HRADIUS 2(IN),1X,F10.3,2X,12HDPTHFTLL(FT),1X,F10.3) 02132
1003  FORMAT(5X,I2,3X,5A4,3X,12HHORIZ OS(IN),1X,F10.3,2X,
112HVERT OS(IN),1X,F10.3)               02133
1004  FORMAT(5X,I2,3X,5A4,3X,12HTHICKNES(IN),1X,F10.3)   02137
1005  FORMAT(5X,I2,3X,5A4,3X,12HRED. ANGLE ,1X,F10.3,2X,
112HLOAD ANGLE ,1X,F10.3,2X,12HSL-S) INT CO,1X,F10.3 ) 02138
1006  FORMAT(5X,I2,3X,5A4,3X,12HSOIL (#/FT3),1X,F10.3,2X,
112HCONC (#/FT3),1X,F10.3,2X,12HFLUID(#/FT3),1X,F10.3) 02140
1007  FORMAT(5X,I2,3X,5A4,3X,12HDPTHFLUD(IN),1X,F10.3)   02141
1008  FORMAT(5X,I2,3X,5A4,3X,12HFY (KSI),1X,F10.3,2X,
112HFCP (KSI),1X,F10.3)                 02142
1009  FORMAT(5X,I2,3X,5A4,3X,12HOUTSDCOV(IN),1X,F10.3,2X,
112HINSDCOV (IN),1X,F10.3)              02143
1010  FORMAT(5X,I2,3X,5A4,3X,*LOAD FACTOR *,1X,F10.3,2X,
1*PHI FLEXURE *,1X,F10.3,2X,*PHI SHEAR *,1X,F10.3)
1011  FORMAT(5X,I2,3X,5A4,3X,12HINSID WIRDIA,1X,F10.3,2X,
112HOUTSD WIRDIA,1X,F10.3,2X,12HREINFG TYPE ,1X,F10.3,2X,
112H# OF LAYERS ,1X,F10.3)              02149
1012  FORMAT(5X,I2,3X,5A4,3X,12HINSIDWIRSPCG,1X,F10.3,2X,
112HOUTSDWIRSPCG,1X,F10.3)              02150
1013  FORMAT(5X,I2,3X,5A4,3X,12HPHI FLEX ,1X,F10.3,2X,
112HFRP ,1X,F10.3,2X,12HFVP ,1X,F10.3)
1014  FORMAT(//,35H) END OF DATA, EXECUTION TERMINATED )
995  CONTINUE                               02157
      RETURN                                02160
      END                                    02170

```

```

      TRODATA(35)=1
      GO TO 1
C
C   END OF DATA,  MODE AT 12
C
993  CONTINUE
      IFATH=1
      WRITE(6,1014)
C
C   FORMAT STATEMENTS FOR INPUT VALUES
C
1000 FORMAT (I2, 4A4, 42, 6F10.3 )
1001  FORMAT(5X,I2,3X,5A4,3X,12HINSODIAN(IN),1X,F10.3,
126X,12HDEPTH(FT),1X,F10.3)
1002  FORMAT(5X,I2,3X,5A4,3X,12HRADIUS 1(IN),1X,F10.3,2X,
112HRADIUS 2(IN),1X,F10.3,2X,12HDEPTH(FT),1X,F10.3)
1003  FORMAT(5X,I2,3X,5A4,3X,12HHORIZ OS(IN),1X,F10.3,2X,
112HVERT OS(IN),1X,F10.3)
1004  FORMAT(5X,I2,3X,5A4,3X,12HTHICKNES(IN),1X,F10.3)
1005  FORMAT(5X,I2,3X,5A4,3X,12HRED. ANGLE ,1X,F10.3,2X,
112HLOAD ANGLE ,1X,F10.3,2X,12HSL-SI INT CO,1X,F10.3 )
1006  FORMAT(5X,I2,3X,5A4,3X,12HPSOIL (#/FT3),1X,F10.3,2X,
112HCCMC (#/FT3),1X,F10.3,2X,12HFLUID(#/FT3),1X,F10.3)
1007  FORMAT(5X,I2,3X,5A4,3X,12HDEPTHFLUD(IN),1X,F10.3)
1008  FORMAT(5X,I2,3X,5A4,3X,12HFY (KSI),1X,F10.3,2X,
112HFCP (KSI),1X,F10.3)
1009  FORMAT(5X,I2,3X,5A4,3X,12HOUTSDCOV(IN),1X,F10.3,2X,
112HINSDCOV (IN),1X,F10.3)
1010  FORMAT(5X,I2,3X,5A4,3X,*LOAD FACTOR *,1X,F10.3,2X,
1*PHI FLEXURE *,1X,F10.3,2X,*PHI SHEAR *,1X,F10.3)
1011  FORMAT(5X,I2,3X,5A4,3X,12HINSID WIRIDIA,1X,F10.3,2X,
112HOUTSD WIRIDIA,1X,F10.3,2X,12HREINFG TYPE ,1X,F10.3,2X,
112H# OF LAYERS ,1X,F10.3)
1012  FORMAT(5X,I2,3X,5A4,3X,12HINSIDWIRSPCG,1X,F10.3,2X,
112HOUTSDWIRSPCG,1X,F10.3)
1013  FORMAT(5X,I2,3X,5A4,3X,12HPHI FLEX ,1X,F10.3,2X,
112HFRP ,1X,F10.3,2X,12HFVP ,1X,F10.3)
1014  FORMAT(//,35H) END OF DATA, EXECUTION TERMINATED )
995  CONTINUE
      RETURN
      END

```

02080

02100

02110

02120

02129

02131

02132

02133

02134

02135

02137

02138

02140

02141

02142

02143

02144

02145

02146

02149

02150

02151

02152

02153

02157

02160

02170



```

1.GT. 0.0005) GO TO 103                                02490
  IF (1BDATA(6) .EQ. 0) GO TO 200                       02530
C
C CHECK BEDDING ANGLE                                    02510
C
  IF (1BDATA(7) .NE. 0) GO TO 22
  BDATA(7) = 90.0
  1BDATA(7) = -1
  GO TO 205
22 IF (BDATA(7)-30. )300. 94. 94
94 IF (BDATA(7) - 180.0 ) 205 . 205. 300                02550
300 WRITE(6,500)
  WRITE(6,1104)
1104 FORMAT(24H3 BEDDING ANGLE MODIFIED )
  IF ( BDATA(7) .LT. 50. ) BDATA(7) = 30.
  IF(BDATA(7) .GT. 180. ) BDATA(7) = 180.
  1BDATA(7) = -1
205 CONTINUE
C
C CHECK BEDDING AND LOAD ANGLES
C
  IF( BDATA(32) .NE. 0.00 ) GO TO 20
  BDATA(32) = 360. + BDATA(7)
  1BDATA(32)=-1
  GO TO 204
20 CONTINUE
  IF ( BDATA(32) .GE. 180. ) GO TO 206
  BDATA(32) = 180.0
  1BDATA(32) = -1
  WRITE(6,500)
  WRITE(6,1105)
206 CONTINUE
  IF ((BDATA(7)+BDATA(32)) .LE. 360.) GO TO 204
  WRITE (6,500)
  WRITE (6,1104)
  WRITE(6,1105)
1104 FORMAT(38H3 BEDDING AND LOAD ANGLES INCONSISTENT ,/,/)
1105 FORMAT(21H3 LOAD ANGLE MODIFIED )
  BDATA(32)=360.0-BDATA(7)
  1BDATA(32)=-1
204 CONTINUE
C
C CHECK SOIL STRUCTURE INTERACTION FACTOR
C
  IF(BDATA(8) .GE. 0.75) GO TO 776
  BDATA(8)=1.2
  1BDATA(8)=-1
  WRITE(6,777)

```

```

777 FORMAT(10X,'SOIL STRUCTURE INTERACTION FACTOR MODIFIED')
776 CONTINUE
C
C SET DEFAULT VALUES                                02580
C INDEX OF ASSUME REFERS TO POSITION IN RSCALE COMMON 02590
C
95 CONTINUE                                          02610
   ASSUME(7)=90.0                                    02620
   ASSUME(8)=1.2
   ASSUME(9)=120.0                                    02640
   ASSUME(10)=150.0                                   02650
   ASSUME(11)=62.5
   ASSUME(12)=2.*(RDATA(2)-RDATA(5))                 02670
   ASSUME(13)=65.0                                    02680
   ASSUME(14)=5.0                                     02690
   ASSUME(15)=1.0
   ASSUME(16)=1.0                                    02710
   ASSUME(17)=1.3                                     02720
   ASSUME(18)=ASSUME(17)
C
C DO NOT ASSUME PIPE DIAMETERS
C
   ASSUME(21)=2.                                      02740
   ASSUME(22)=1.                                      02750
   ASSUME(23)=2.0
   ASSUME(24)=2.0
   ASSUME(25)=0.99
   ASSUME(26)=1.00                                    02770
   ASSUME(27)=1.00                                    02780
   ASSUME(33)=0.9
   ASSUME(34)=3.0
   ASSUME(35)=1.0
   RDATA(18)=RDATA(17)
   IRDATA(18)=IRDATA(17)
   DO 10 I=7,26
   IF (IRDATA(I)) 10,9,10
9   IRDATA(I)=-1                                     02790
   RDATA(I)=ASSUME(I)                                02800
   IF (RDATA(I) .EQ. 0.0) IRDATA(I)=0                02810
10  CONTINUE                                          02820
   DO 13 I=33,35
   IF (IFDATA(I)) 13,14,13
14  IRDATA(I)=-1                                     02830
   RDATA(I)=ASSUME(I)
13  CONTINUE
12  CONTINUE
C
C CALCULATE ES, EC, MEAN RADII, EQUIVALENT DIAMETER
C

```

```

      RDATA(27)=29000.0                                02880
      RDATA(28)=(RDATA(10))*1.5*33.*SQRT(RDATA(14)*1000.)/1000. 02890
      UVRAT=RDATA(4)/RDATA(5)
      RDATA(31)=SQRT(2.*(RDATA(2)**2*ATAN(UVRAT)+RDATA(1)**2*(PI/2-
1ATAN(UVRAT))-RDATA(4)*RDATA(5))/PI)*2.
      IRDATA(27)=-1
      IRDATA(28)=-1
      IRDATA(29)=-1
      IRDATA(30)=-1
      IRDATA(31)=-1
      RDATA(29)=RDATA(1)+RDATA(6)/2                    02910
      RDATA(30)=RDATA(2)+RDATA(6)/2                    02920
      IF (RDATA(12) .LE. (2.*(RDATA(2)-RDATA(5)))) GO TO 101 02930
      WRITE(6,102)                                       02940
102  FORMAT(45H0 DEPTH OF FLUID TOO LARGE, SET TO FULL DEPTH)
      RDATA(12)=ASSUME(12)                               02960
101  CONTINUE                                           02970
      GO TO 145
100  CONTINUE                                           03020
      WRITE(6,500)                                       03030
      WRITE(6,1000)                                       03040
1000 FORMAT(22H0 RADII MUST BE GIVEN.)
      WRITE(6,1100)                                       03060
      IPATH=-1                                           03070
      GO TO 150                                           03080
103  WRITE(6,500)                                       03090
      WRITE(6,1103)                                       03100
1103 FORMAT(29H0 GEOMETRY MUST BE CONSISTENT )
      WRITE(6,1100)                                       03120
      IPATH=-1                                           03130
      GO TO 150                                           03140
200  CONTINUE                                           03150
      WRITE(6,500)                                       03160
      WRITE(6,2000)                                       03170
2000 FORMAT (25H0 THICKNESS MUST BE GIVEN )
      WRITE(6,1100)                                       03190
      JPATH=-1                                           03200
      GO TO 150                                           03210
500  FORMAT(23H0 *** INPUT ERROR *** )
1100 FORMAT( 45H0 EXECUTION OF THIS PIPE HAS BEEN TERMINATED )
149  CONTINUE                                           03310
C
C CHECK FOR NUMBER OF LAYERS OF WIRE                    03330
C
      IF (RDATA(22) .GT. 2.) RDATA(22)=2.              03350
      WRITE(6,4050)
4050 FORMAT(/////,32X,69(1F*),/,32X,1H*,67X,1H*,/,32X,1H*,1X,
1*ALL INFORMATION PRESENTED IS FOR REVIEW, APPROVAL, INTERPRETATION

```

```

2 **/,32X,** AND APPLICATION BY A REGISTERED ENGINEER.,25X,1H*,/,
332X,1H*,67X,1H*,/,32X,69(1H*)
IF ( IDBUG .LT. 1 ) GO TO 150
WRITE(6,4051)
4051 FORMAT(1H1)
IF(RDATA(1) .EQ. RDATA(2)) GO TO 6090
WRITE(6,6002)
GO TO 6001
6000 WRITE(6,6003)
6002 FORMAT(///,5X,120(H*),/,10X,28HELLIPTICAL PIPE ANALYSIS AND,
17H DESIGN,/,5X,120(1H*))
6003 FORMAT(///,5X,120(1H*),/,10X,29HCIRCULAR PIPE ANALYSIS AND DE,
14HSIGN,/,5X,120(1H*))
6001 CONTINUE
WRITE(6,5000)
5000 FORMAT(//,T30,*MAP OF PDATA ARRAY*,//24X,9HPARAMETER,12X,
1 *DATA*,8X,*SOURCE*,/)
DO 5006 I=1,35
IF(RDATA(I)) 5001,5002,5003
5001 J=1
N=2
GO TO 5004
5002 J=3
N = 4
GO TO 5004
5003 J=5
N = 6
5004 KF = 5+I
JF = KF+4
WRITE(6,5005) I,(SCRIPT(LF),LF=JF,KF),RDATA(I),SOURCE(J),SOURCE(N)
5005 FORMAT(15X,(2,2X,5A4,3X,F10.3,4X,2A4)
5006 CONTINUE
150 CONTINUE
RETURN
END

```

03360

03361

03362

03363

03364

03365

03368

03370

03400

03440

03420

03452

03453

03470

03480

03490

03500

03510

## SUPPORTINE GEOMET

03550

```

C
C CALCULATES COORDINATES OF THE NODES, AND THE LENGTH AND DIRECTIONAL
C SINES AND COSINES OF MEMBERS FOR CIRCULAR AND ELLIPTICAL
C PIPE.
C A PRINTOUT OF THIS INFORMATION IS AVAILABLE WITH AN IDBUG VALUE
C GREATER THAN 1
P
C
COMMON/RSCALE/RADI1, RADI2,H,U,V,TH,BETA,HH,GAMAS,GAMAC,GAMAF,DF,
1FY,FCP,COU,CIN,FLMV,FLN,GIN,GOU,RTYPE,NLAY,SPIN,SPOUT,PO,FCR,EST
1,ECON,RADM1,PADM2,EQUID,PETAS,PDC
COMMON/COORD/X(37),Y(37),A(37),B,BS
COMMON/PROP/SI(37),CO(37),ALEN(37)
COMMON/ISCALE/IDBUG,IPATH
DIMENSION DEG(37)
C
M=0
PI=3.1415926535897
IF (BETA .NE. 180.) GO TO 200
P=179.9*PI/180.0
BS=100.1*PI/180.
M=2
200 CONTINUE
IF (BETAS .EQ. 180.) BS = 100.1*PI/180.
BETA=BETA*PI/180.
BETAS=BETAS*PI/180.
C
C GENERATE COORDINATES
C
P2 = ATAN(U/V)
DO 300 I=1,37
DEG(I) = (I-1) * 5.00000
A(I)=(I-1)*PI/36
IF(A(I) .GT. (PI-P2)) GO TO 700
IF (A(I) .GT. P2) GO TO 600
X(I)=RADM2*SIN(A(I))
Y(I)=-RADM2*COS(A(I))*V
GO TO 500
600 CONTINUE
X(I)=RADM1*SIN(A(I))*U
Y(I)=-RADM1*COS(A(I))
500 CONTINUE
IF (M .GE. 1) GO TO 750
IF (-ATAN(X(I)/Y(I)) .LE. (BETA+0.0017)/2.) GO TO 800
B=2.*A(I-1)
M=1
IF ( BETA 180. .LE. 3.14247 ) M = 2

```

03553

03554

03560

03570

03600

03610

03640

04450

03660

03700

03710

03720

03750

03760

03780

03790

03800

03810

03820

03830

03840

03850

03860

03890

03900

```

      IF ((BETA*BETAS) .LT. 6.28144) GO TO 750
      BS=R
      M=2
      GO TO 800
750  IF ( M .EQ. 2 ) GO TO 800
      IF (-ATAN(X(I)/Y(I)) .LE. (6.2815-BETAS)/2.) GO TO 800
      PS=2.*A(I)
      M=2
      GO TO 800
700  CONTINUE
      X(I)=RADM2*SIN(A(I))
C
C  X(I)=RADM3*SIN(A(I))
C
      Y(I)=-RADM2*COS(A(I))-V
C
C  Y(I)=-RADM3*COS(A(I))-VP
C
800  CONTINUE
      IF(I .EQ. 1) GO TO 300
      ALEN(I-1)=((X(I)-X(I-1))**2+(Y(I)-Y(I-1))**2)**0.5
      SI(I-1)=(Y(I)-Y(I-1))/ALEN(I-1)
      CO(I-1)=(X(I)-X(I-1))/ALEN(I-1)
300  CONTINUE
      IF (IDBUR .LT. 2) GO TO 1300
      WRITE(6,99)
99   FORMAT(1H1)
      WRITE(6,1000)
      WRITE(6,1400)
      WRITE(6,1200)(I,DEG(I),X(I),Y(I),ALEN(I),A(I),SI(I),CO(I),
1    I=1,37 )
1100 CONTINUE
1000 FORMAT(/,5X,8HGEOMETRY,/,6X,1FI,5X,8F0DEG FROM,5X,4HX(I),12X,
1    4HY(I),12X,7HALEN(I),12X,4HA(I),13X,5HSI(I),12X,5HCO(I))
1200 FORMAT(37(5X,I2,6X,F4.0,1X,F12.3,5X,4(F12.3,5X),F12.3,/) )
1400 FORMAT(4X,5HJOINT,4X,8HVERTICAL,5X,12HINCHES FROM CENTER,13X,
1    6HINCHES,11X,7HRADIANS )
1300 CONTINUE
      RETURN
      END

```

03910

03920

03930

03940

03950

03960

03970

03980

03990

04000

04010

04020

04040

04050

04070

04080

04100

04170

04180

04190

```

C*****
C*****
SUBROUTINE LOADS
C
C CALCULATES THE NORMAL AND TANGENTIAL PRESSURES(KIPS/IN/FT) ON EACH
C JOINT DUE TO PIPE SOIL AND FLUID LOADS. POSITIVE RADIAL PRESSURE IS
C ASSUMED TO BE ACTING TOWARD THE CENTER AND POSITIVE TANGENTIAL
C PRESSURE IS ASSUMED TO BE CLOCKWISE.
C A PRINTOUT OF THIS INFORMATION ALONG WITH A SUMMARY OF
C THE TOTAL APPLIED PIPE, SOIL AND FLUID LOADS; IS AVAILABLE
C WITH AN IDBUG VALUE GREATER THAN 1.
C
COMMON/RSCALE/RAD11,RAD12,H,U,V,TH,PETA,HH,GAMAS,GAMAC,GAMAF,DF,
IFY,FCP,COU,CTN,FLMV,FLN,DIN,DOU,RTYPE,NLAY,SPIN,SPCUT,PD,FCR,EST
1,ECOR,RAD1,RAD2,EGUID,RETAS,P0D
COMMON/COORD/X(37),Y(37),A(37),B,PS
COMMON/PROP/SI(37),CO(37),ALEN(37)
COMMON/ISCALE/IDBUG,IPATH
COMMON/IFLAG/IBDATA(35)
COMMON/PRESS/DLPR(37),DLPT(37),SLPR(37),SLPT(37),FLPR(37),
1FLPT(37)
DIMENSION DEG(37)
DIMENSION R(37), Q(37), PREACT(37), T(37), S(37)
REAL L,LF
C
C SET FLUID LEVEL TO NEAREST JOINT
C
IF(IBDATA(12) .EQ. 1) GO TO 850
FS=Y(37)-TH/2.
GO TO 950
850 DO 1000 J=1,37
FS=Y(J)+TH/2.*COS(A(J))
IF(FS .GE. (DF+Y(1))+TH/2.) GO TO 950
1000 CONTINUE
950 CONTINUE
B2=0.0
B4=0.0
B7=0.0
B8=0.0
PW=0.0
B5=1.0
B6=1.0
F1=1.0
PI=3.1415926535897
C
C TOTAL SOIL LOAD
C
W=GAMAS*HH*(TH+RAD11+L)*(H+(RAD12-V+TH)/36)/6000.
03520
03530
04230
04240
04250
04280
04290
04300
04320
04330
04310
04340
04342
04350
04360
04370
04380
04390
04400
04410
04420
03650
04450

```

```

      R3=RADM1
      IF (EQUID .NE. 0.0) R3=(EQUID+TH)/2.
C
C  CLANDER SCIL PRESSURE DISTRIBUTION
C
      C=SIN((PI/B-1.)*B/2.)/2./((PI/B-1.))
      D=SIN((PI/B+1.)*B/2.)/2./((PI/B+1.))
      PINV=W/2./R3/(C+D)
      A9=PI-BS/2.
      E=SIN((PI/2./A9-1.)*A9)/2./((PI/2./A9-1.))
      F=SIN((PI/2./A9+1.)*A9)/2./((PI/2./A9+1.))
      PTOP=W/2./R3/(E+F)
      DO 100 I=1,37
      DEG(I) = (I-1) * 5.00000
      IF (I .EQ. 1) GO TO 225
      IF (I .EQ. 37) GO TO 101
      GO TO 250
225  CONTINUE
C
C                                     DEAD LOAD
C  DLPR = DEAD LOAD - NORMAL PRESSURE
C  DLPT = DEAD LOAD - TANGENTIAL PRESSURE
C
      DLPR(1)=-TH*GAMAC/144000.0
      DLPR(37)=-DLPR(1)
      DLPT(1)=0.0
      DLPT(37)=0.0
      GO TO 101
250  CONTINUE
      L=((X(I+1)-X(I-1))**2+(Y(I+1)-Y(I-1))**2)**0.5
      CA=(X(I+1)-X(I-1))/L
      SA=(Y(I+1)-Y(I-1))/L
      DLPR(I)=DLPR(1)*CA
      DLPT(I)=DLPR(37)*SA
101  CONTINUE
      PW=TH*GAMAC*ALEN(I)*2./144000.+PW
C
C                                     SOIL LOAD
C  SLPR = SOIL - NORMAL PRESSURE
C  SLPT = SOIL - TANGENTIAL PRESSURE
C
      SLPT(I)=0.0
      IF (A(I) .GT. (B/2.)) GO TO 300
      SLPR(I)=PINV*COS(PI/B*A(I))
      GO TO 350
300  CONTINUE
      IF (A(I) .GT. BS/2. ) GO TO 310
      SLPR(I)=0.0
      GO TO 350
310  SLPR(I)=PTOP*SIN(0.5*(A(I)-BS/2.)*(PI/A9))

```

04470  
04480  
04482  
04490  
04500  
04510  
04530  
04540  
04550  
04570  
04580  
04590  
04600  
04610  
04630  
04641  
04642  
04650  
04660  
04680  
04690  
04700  
04710  
04720  
04730  
04740  
04750  
04760  
04780  
04791  
04792  
04800  
04810  
04820  
04830  
04840



350	CONTINUE	04860
	Q(I)=SLPR(I)*COS(A(I))	04870
	IF (I .EQ. 1) GO TO 200	04880
	IF(A(I) .GT. B/2.) GO TO 400	
	B2=(Q(I)+Q(I-1))/2.*ALEN(I-1)*B2	04900
	GO TO 200	04910
400	CONTINUE	04920
	B4=(Q(I)+Q(I-1))/2.*ALEN(I-1)*B4	04930
200	CONTINUE	04940
C		04960
	FLUID LOAD	
C	FLPR = FLUID NORMAL PRESSURE	04971
C	FLPT = FLUID TANGENTIAL PRESSURE	04972
C		
	FLPR(I)=(FS-(Y(I)+TH/2.*COS(A(I))))*GAMAF/144000.0*(-1.0)	04980
	IF (FLPR(I) .GT. 0.0) FLPR(I)=0.0	04990
	FLPT(I)=0.0	05000
	PREACT(I) = 0.0	05001
	T(I)=FLPR(I)*COS(A(I))	05010
	LF = RAD12/RAD2	05020
	IF(A(I) .GT. (PI-ATAN(U/V))) GO TO 107	
	IF(A(I) .GT. ATAN(U/V)) LF=RAD11/RAD1	
107	CONTINUE	05050
	FLPR(I)=FLPR(I)*LF	05060
	B7=(T(I)+T(I-1))/2.*ALEN(I-1)*LF*B7	05070
100	CONTINUE	05080
C		
C	ADJUST SOIL AND FLUID PRESSURES FOR BALANCE	05082
C		
	IF (W .EQ. 0.0) GO TO 550	05110
	B5=B2/W*2.	05120
	B6=B4*(-2.0)/W	05130
550	PROT=-B7/B3/(C+D)	05140
	DO 500 J=1,37	05160
	IF (A(J) .GT. (B/2.)) GO TO 600	05170
	SLPR(J)=SLPR(J)/B5	05180
	PREACT(J)=PROT*(COS(A(J)+PI/R))	05190
	S(J)=PREACT(J)*COS(A(J))	05200
	GO TO 700	05210
600	CONTINUE	05220
	SLPR(J)=SLPR(J)/B6	05230
700	CONTINUE	05240
	IF (J .EQ. 1) GO TO 500	05250
	IF (A(J) .GT. B/2.) GO TO 500	05260
	B8=(S(J)+S(J-1))/2.*ALEN(J-1)*B8	05270
500	CONTINUE	05280
	IF (B7 .NE. 0) F1=-B8/B7	05290
	DO 1300 K=1,37	05300
	FLPR(K)=FLPR(K)+PREACT(K)/F1	05310

1500	CONTINUE	05320
	IF (IOBUG .LT. 2) GO TO 3000	05330
C		
C	PRINT LOADS TABLE	05332
C		
	WRITE(6,99)	05340
99	FORMAT(1H1)	
	WRITE(6,1400)	05360
1400	FORMAT(///,57X,36HLOADS AT EACH JOINT, KIPS/IN/FOOT )	
	WRITE(6,1500)	05380
1500	FORMAT(37X,4HDEAD,28X,4HSCIL,28X,5HFLUID)	
	WRITE(6,1550)	05400
1550	FORMAT(12X,4HDEG FROM,5X,24(1H-),9X,24(1H-),9X,24(1H-))	
	WRITE(6,1600)	05420
1600	FORMAT(6X,1H1,5X,4HVERTICAL,8X,4HRADIAL,9X,4HTANG,2(14X,6HRADIAL,	
	1 9X,4HTANG ) )	
	WRITE(6,1700)(I,DEG(I),DLPR(I),DLPT(I),SLPR(I),SLPT(I),FLPR(I),	
	1FLPT(I), I=1,37)	05460
1700	FORMAT(5Y,12,7X,F4.0,4X,F12.6,3X,F12.6,6X,F12.6,3X,F12.6,6X,	
	1F12.6,3X,F12.6)	05480
3000	CONTINUE	05490
	IF (IOBUG .LT. 1) GO TO 4000	
	WRITE(6,1800) PW	05510
1800	FORMAT(///,14H PIPE WEIGHT=,F9.3,10H KIPS/FOOT )	
	WRITE(6,1900) W	05530
1900	FORMAT(/,14H SOIL WEIGHT=,F9.3,10H KIPS/FOOT )	
	B7TMP = -2.0*B7	
	WRITE(6,2000) B7TMP	
2000	FORMAT(/,15H FLUID WEIGHT=,F9.3,10H KIPS/FOOT )	
4000	CONTINUE	05570
	RETURN	05580
	END	05590

```

SUBROUTINE STIFF                                05630
C
C CALCULATES MEMBER STIFFNESS SUBMATRICES      05632
C
COMMON/PROP/SI(37),CO(37),ALEN(37)             05640
COMMON/RSCALE/DUM(5),TH,DUMM(21),ECON,D(2)     05650
COMMON/ISCALE/IDPUG,IPATH                       05660
COMMON/CONST/K1(3,3,36),K2(3,3,36),K12(3,3,36) 05680
DOUBLE PRECISION K1, K2, K12, MI

C
AREA=12.*TH                                     05700
MI=TH**5                                        05710
DO 100 I=1,36                                   05780
C1=ECON/ALEN(I)                                 05790
C2=MI/ALEN(I)**2                                05800
A1=C1*(CO(I)**2*AREA+12.*SI(I)**2*C2)           05810
A2=C1*(SI(I)**2*AREA+12.*CO(I)**2*C2)           05820
A3=C1*SI(I)*CO(I)*(AREA-12.*C2)                05830
A4=6.*SI(I)*ECON*C2                             05840
A5=A4/SI(I)*CO(I)                               05850
A6=4.*MI*C1                                      05860
K1(1,1,I)=A1                                    05880
K2(1,1,I)=A1
K12(1,1,I)=-A1
K1(1,2,I)=A3
K1(2,1,I)=A3
K2(1,2,I)=A3
K2(2,1,I)=A3
K12(1,2,I)=-A3
K12(2,1,I)=-A3
K1(1,3,I)=-A4
K1(3,1,I)=-A4
K12(1,3,I)=-A4
K1(2,2,I)=A2
K2(2,2,I)=A2
K12(2,2,I)=-A2                                05930
K1(2,3,I)=A5
K1(3,2,I)=A5
K12(2,3,I)=A5
K2(2,3,I)=-A5
K2(3,2,I)=-A5
K12(3,2,I)=-A5
K1(3,3,I)=A6
K2(3,3,I)=A6
K12(3,3,I)=0.5*A6                             05970
K2(1,3,I)=A4
K2(3,1,I)=A4
K12(3,1,I)=A4

```

```

100 CONTINUE                                    06060
200 CONTINUE                                    06120
RETURN                                          06130
END                                              06140

```

SUBROUTINE LDMATR(P,PT,K)

06180

C  
C FOR EACH LOADING CONDITION, LDMATR GENERATES THE LOAD MATRICES  
C FOR EACH JOINT FROM THE MEMBER PROPERTIES AND THE RADIAL AND  
C TANGENTIAL PRESSURES. THE LDMATR VALUES, REPRESENT THE REACTIONS.  
C AT EACH END OF A MEMBER DUE TO THE APPLIED LOADS  
C  
C

DIMENSION P(37),PT(37)

06190

COMMON/PROP/SI(37),CO(37),ALEN(37)

06200

COMMON/LOAD/F1(3,3,36),F2(3,3,36)

06210

DOUBLE PRECISION F1, F2, C1, C2

C

DO 100 I=1,36

06230

C1=SI(I)\*ALEN(I)

06240

C2=CO(I)\*ALEN(I)

06250

F1(1,K,I)=C1/(-20.)\*(7.\*P(I)+3.\*P(I+1))-C2/8.\*(3.\*PT(I)+

06270

1PT(I+1))

06280

F1(2,K,I)=C2/20.\*(7.\*P(I)+3.\*P(I+1))-C1/8.\*(3.\*P(I)+PT(I+1))

06290

F1(3,K,I)=ALEN(I)\*\*2/60.\*(3.\*P(I)+2.\*P(I+1))

06300

F2(1,K,I)=C1/(-20.)\*(3.\*P(I)+7.\*P(I+1))-C2/8.\*(PT(I)+

06310

13.\*PT(I+1))

06320

F2(2,K,I)=C2/20.\*(3.\*P(I)+7.\*P(I+1))-C1/8.\*(PT(I)+3.\*PT(I+1))

06330

F2(3,K,I)=ALEN(I)\*\*2/60.0\*(2.\*P(I)+3.\*P(I+1))\*(-1.0)

06340

100 CONTINUE

06350

RETURN

06360

END

06370

## SUBROUTINE RECUR

06410

C  
 C ASSUMES THAT JOINT 1(INVERT) IS FIXED AND JOINT 37(CROWN) ONLY  
 C DEFLECTS IN THE Y-DIRECTION. GIVEN THESE BOUNDARY CONDITIONS AND  
 C THE LOAD AND STIFFNESS MATRICES THE DEFLECTION AT JOINT 37 IS  
 C CALCULATED AND ALL OTHER JOINT X,Y DEFLECTIONS AND ROTATIONS  
 C ARE SOLVED RECURSIVELY.  
 C A PRINTOUT OF THIS INFORMATION IS AVAILABLE WITH AN IDBUG VALUE  
 C EQUAL TO 3

C  
 C  
 C COMMON/1SCALE/IDBUG,1PATH 06430  
 C COMMON/CONST/K1(3,3,36),K2(3,3,36),K12(3,3,36) 06420  
 C COMMON/LOAD/F1(3,3,36),F2(3,3,36) 06440  
 C COMMON/DISP/UN(3,3,37) 06450  
 C DOUBLE PRECISION K1, K2, K12, F1, F2, K12T(3,3)  
 C DOUBLE PRECISION UN, P(3,3,37),Q(3,3,37),D(3),A(3,3),B(3,3),  
 C IC(3,3) 06480  
 C  
 C DO 100 I=1,3 06500  
 C DO 100 J=1,3 06510  
 C A(I,J)=K2(I,J,1)+K1(I,J,2) 06520  
 C C(I,J)=F2(I,J,1)+F1(I,J,2) 06530  
 C 100 CONTINUE 06540  
 C CALL MATINV(A,R) 06550  
 C CALL MATMPY(B,K12(1,1,2),P(1,1,2)) 06560  
 C CALL MATMPY(B,C,Q(1,1,2)) 06570  
 C DO 200 L=3,36 06590  
 C DO 300 I=1,3 06600  
 C DO 300 J=1,3 06610  
 C K12T(J,1)=K12(I,J,L-1) 06620  
 C 300 CONTINUE 06630  
 C CALL MATMPY(K12T,P(1,1,L-1),A) 06640  
 C DO 400 I=1,3 06650  
 C DO 400 J=1,3 06660  
 C A(I,J) = K2(I,J,L-1) + A(I,J) + K1(I,J,L)  
 C 400 CONTINUE 06680  
 C CALL MATINV(A,B) 06690  
 C CALL MATMPY(K12T,Q(1,1,L-1),C) 06700  
 C DO 500 I=1,3 06710  
 C DO 500 J=1,3 06720  
 C C(I,J) = F2(I,J,L-1) + C(I,J) + F1(I,J,L)  
 C 500 CONTINUE 06740  
 C CALL MATMPY(B,C,Q(1,1,L)) 06750  
 C IF (L .EQ. 36)GO TO 600 06760  
 C CALL MATMPY(B,K12(1,1,L),P(1,1,L)) 06770  
 C GO TO 200 06780  
 C 600 CONTINUE 06790

```

D(1)=K12(1,2,L)                                0680
D(2)=K12(2,2,L)                                0681
D(3)=K12(3,2,L)                                0682
CALL MATYCO(D,R,P(1,1,36))                      0683
200 CONTINUE                                     0684
DO 700 K=1,3                                     0686
UN(1,K,37)=0.000
UN(3,K,37)=0.000
UN(2,K,37)=(K2(2,1,36)*Q(1,K,36) - K2(2,3,36)*Q(3,K,36) +
1      K2(2,2,36)*Q(2,K,36) + F2(2,K,36) ) /
2      (K2(2,1,36)*P(1,1,36) - K2(2,3,36)*P(3,1,36) +
3      K2(2,2,36)*(1.000 + P(2,1,36) ) )
UN(1,K,1)=0.000
UN(2,K,1)=0.000
UN(3,K,1)=0.000
UN(1,K,36)=-P(1,1,36)*UN(2,K,37)+Q(1,K,36)      0692
UN(2,K,36)=-P(2,1,36)*UN(2,K,37)+Q(2,K,36)      0693
UN(3,K,36)=-P(3,1,36)*UN(2,K,37)+Q(3,K,36)      0694
700 CONTINUE                                     0695
L=35                                             0696
1000 CONTINUE                                    0697
CALL MATAPY(P(1,1,L),UN(1,1,L+1),A)            0698
DO 800 I=1,3                                     0699
DO 800 J=1,3                                     0700
UN(I,J,L)=Q(I,J,L)-A(I,J)                      0701
800 CONTINUE                                     0702
L=L-1                                           0703
IF(L .GE. 2) GO TO 1000                         0704
IF(DEBUG .LT. 3) GO TO 2500                     0705
C
C WRITES DISPLACEMENTS                          0705
C
WRITE(6,99)                                     0706
99  FORMAT(1H1)
WRITE(6,2000)
WRITE(6,2001)
WRITE(6,2002)
DO 1200 L=1,35,3
L1TMP = L+1
L2TMP = L+2
WRITE(6,2100)L,L1TMP,L2TMP
DO 1200 I=1,3
GO TO (11,12,13),I
11  WRITE(6,1) (UN(I,J,L),J=1,3), (UN(I,J,L+1),J=1,3), (UN(I,J,L+2)
1+J=1,3)
GO TO 1200
12  WRITE(6,2) (UN(I,J,L),J=1,3), (UN(I,J,L+1),J=1,3), (UN(I,J,L+2)
1+J=1,3)

```

```

      GO TO 1200
15  WRITE(6,3) (UN(I,J,L),J=1,3), (UN(I,J,L+1),J=1,3), (UN(I,J,L+2)
      1,J=1,3)
1200 CONTINUE
      WRITE(6,2003) ((UN(I,J,37),J=1,3),I=1,3)
2003 FORMAT(6X,8H ELEMENT,8X,2H37,/,2X,*X*,3X,3(E12.5,2X),/,
      12X,*Y*,3X,3(E12.5,2X),/,1X,*ROT*,2X,3(E12.5,2X))
2000 FORMAT(/,51X,22HDISPLACEMENTS, INCHES ,/)
2001 FORMAT(23X,7HLOADING,32X,7HLOADING,31X,7HLOADING)
2002 FORMAT(14X,*1*,11X,*2*,11X,*3*,14X,*1*,11X,*2*,9X,*3*,
      11X,*1*,11X,*2*,11X,*3*,/)
2100 FORMAT(6X,8H ELEMENT,8X,I2,38X,I2,38X,I2)
      1  FORMAT(2X,*X*,5X,3E12.5,2X,3E12.5,2X,3E12.5)
      2  FORMAT(2X,*Y*,5X,3E12.5,2X,3E12.5,2X,3E12.5)
      3  FORMAT(1X,*ROT*,4X,3E12.5,2X,3E12.5,2X,3E12.5)
2500 CONTINUE
      RETURN
      END

```

```

      SUBROUTINE REACT
C
C  CALCULATES THE MOMENTS, THRUSTS AND SHEARS AT JOINT 1(INVERT) AND
C  JOINT 37(CROWN)
C
      COMMON/REACT1/R(3,3,2)
      COMMON/DESIGN/DM(5),DP(5),DV(5),VLOC(5)
      COMMON/CONST/K1(3,3,36),K2(3,3,36),K12(3,3,36)
      COMMON/DISP/UN(3,3,37)
      COMMON/LOADC/F1(3,3,36),F2(3,3,36)
      COMMON/ISCALE/IDBUG,IPATH
      DOUBLE PRECISION K1, K2, K12, F1, F2, UN
      DOUBLE PRECISION R,T(3,3),B(3,3),C(3,3)
C
      CALL MATMPY(K12(1,1,1),UN(1,1,2),B)
      DO 100 I=1,3
      DO 110 J=1,3
      R(I,J,1)=B(I,J)-F1(I,J,1)
100  CONTINUE
      DO 200 I=1,3,2
      T(1,1)=K12(1,1,36)
      T(1,2)=K12(2,1,36)
      T(1,3)=K12(3,1,36)
      T(2,1)=0.000
      T(2,2)=0.000
      T(2,3)=0.000
      T(3,1)=0.000
      T(3,2)=0.000
      T(3,3)=0.000
      CALL MATMPY(T,UN(1,1,36),C)
      DO 300 J=1,3
      R(I,J,2) = C(1,J) + F2(I,J,36) + K2(1,2,36)*UN(2,J,37)
300  CONTINUE
200  CONTINUE
      DM(1)=R(3,1,1)+R(3,2,1)
      DP(1)=R(1,1,1)+R(1,2,1)
      IF (DABS(DM(1)+R(3,3,1)) .LT. ABS(DM(1))) GO TO 700
      DM(1)=DM(1)+R(3,3,1)
      DP(1)=DP(1)+R(1,3,1)
700  DM(5)=-0.7-1.0-0.7-0.2-0.2

```

```

      DP(5)=R(1,1,2)+R(1,2,2)
      IF (DABS(DM(5)-R(3,3,2)) .LT. ABS(DM(5))) GO TO 800
      DM(5)=DM(5)+R(3,3,2)
      DP(5)=DP(5)+R(1,3,2)
800  CONTINUE
      DO 801 J=1,3
      R(3,J,2) = -R(3,J,2)

```

```

00001
08670
08690
08700
08710

```

```

IV G LEVEL 21          REACT          DATE = 82252          12/34/24

```

```

801 CONTINUE
RETURN
END
08820
08830

```

```

IV G LEVEL 21          TFSHMO          DATE = 82252          12/34/24

```

```

SUBROUTINE TFSHMO
07260

```

```

C
C CALCULATES THE INTERNAL THRUSTS, SHEARS AND MOMENTS AT EACH END OF
C EACH MEMBER
C PVM1 REPRESENTS THE FORCES AT THE LEFT END OF A MEMBER
C PVM2 REPRESENTS THE FORCES AT THE RIGHT END OF A MEMBER
C PVM*(X,Y,Z) X REFERS TO THE P, V OR M FOR X=1,2,3 RESPECTIVELY
C Y REFERS TO THE LOADING CONDITION
C Z REFERS TO THE ELEMENT
C A PRINTOUT OF THE SERVICE LOAD FORCES IS AVAILABLE WITH AN IDBUG
C VALUE GREATER THAN 1
C

```

```

COMMON/PROP/ST(37),CO(37),ALEN(37)
COMMON/LOAD/F1(3,3,36),F2(3,3,36)
COMMON/ISCALE/IDBUG,IPATH
COMMON/CONST/K1(3,3,36),K2(3,3,36),K12(3,3,36)
COMMON/DISP/UN(3,3,37)
COMMON/PVM/PVM1(3,3,36),PVM2(3,3,36)
DOUBLE PRECISION K1, K2, K12, K12T(3,3), PVM1, PVM2, UN, F1, F2
DOUBLE PRECISION T(3,3), D(3,3), R(3,3), F(3,3), G(3,3), S(3,3), W(3,3)
COMMON/REACT/REAC(3,3,2)
DOUBLE PRECISION A(9), REAC

```

```

C
IF (IDBUG .LT. 2) GO TO 2
WRITE(6,99)
99  FORMAT(1H1)
WRITE(6,600)
600  CONTINUE
DEG = 0.0
DO 200 I=1,36
T(1,1)=CO(I)
T(1,2)=SI(I)
T(1,3)=0.000
T(2,1) = -SI(I)
T(2,2)=CO(I)
T(2,3)=0.000
T(3,1)=0.000
T(3,2)=0.000
T(3,3)=1.000
DO 300 L=1,3
DO 300 M=1,3
K12T(M,L) = K12(L,M,I)
300  CONTINUE
CALL MATMPY(K1(1,1,I),UN(1,1,I),D)
CALL MATMPY(K12(1,1,I),UN(1,1,I+1),E)
07300
07310
07320
07330
07340
07350
07380
07390
07410
07420
07440
07480
07490
07510
07520
07530
07540
07560
07570

```



CALL MATMPY(K12T(1,1),UN(1,1,I),R)  
CALL MATMPY(K2(1,1,I),UN(1,1,I+1),S)

07580  
07590

IV G LEVEL 21

THSHP0

DATE = 02252

12/31/24

```

DO 400 J=1,3
DO 400 K=1,3
G(J,K) = D(J,K) - F1(J,K,I) + E(J,K)
W(J,K) = R(J,K) - F2(J,K,I) + S(J,K)
400 CONTINUE
CALL MATMPY(T,G,PVM1(1,1,I))
CALL MATMPY(T,W,PVM2(1,1,I))
IF (IDBUG .LT.2) GO TO 200
C
C WRITE THRUSTS SHEARS AND MOMENTS
C
IF ( I .EQ. 1 ) GO TO 201
J3 = 0
DO 203 J1 = 1,3
DO 203 J2 = 1,3
J3 = J3 + 1
A(J3) = (PVM1(J2,J1,I)-PVM2(J2,J1,I-1))/2.0000000
203 CONTINUE
DEG=(I-1)*5.00000
WRITE(6,204) I,DEG,(A(J3),J3=1,9)
GO TO 200
201 WRITE(6,204) I,DEG,(REAC(J6,1,1),J6=1,3),(REAC(J6,2,1),J6=1,3),
1 (REAC(J6,3,1),J6=1,3)
200 CONTINUE
IF ( IDBUG .LT. 2 ) GO TO 1200
I=37
DEG = 180.0
WRITE(6,204) I,DEG,(REAC(J6,1,2),J6=1,3),(REAC(J6,2,2),J6=1,3),
1 (REAC(J6,3,2),J6=1,3)
600 FORMAT(//T36,'SERVICE LOAD THRUST(KIPS/FT), SHEAR(KIPS/FT), ',
1'MOMENT(IN,KIPS/FT)',//,T36,'DEAD LOAD',T71,'SOIL LOAD',T105,
2 'FLUID LOAD',T12,'DEG. FROM',5X,30(1H-),5X,30(1H-),5X,30(1H-),
3 /,' JOINT',T12,'VERTICAL',T30,2('A',9X,'V',9X,'M',14X),*N',9X,
4 'V',9X,'M' 1
204 FORMAT(2X,I2,T12,F4.0,T24,2(3F10.4,5X),3F10.4 )
1200 CONTINUE
RETURN
END
```

07600  
07610

07640  
07650  
07660  
07670

07700

07760

07850  
07860



## SUBROUTINE PVMMAX

08870

C  
 C LOCATES AND CALCULATES THE THRUSTS, SHEARS AND MOMENTS AT THE 5  
 C CRITICAL DESIGN SECTIONS. THE PROCEDURE FOR FINDING THE EXACT  
 C LOCATION OF  $M/\Phi VD=3.0$  ASSUMES LINEAR SHEAR AND QUADRATIC  
 C MOMENT DISTRIBUTION ON A MEMBER.  
 C LOAD FACTORS ARE THEN USED TO CONVERT DESIGN FORCES TO ULTIMATE  
 C FORCES.

C  
 C COMMON/PVM/PVM1(3,3,36),PVM2(3,3,36) 08880  
 C COMMON/RSCALE/RADI1,RADI2,H,U,V,TH,BETA,HH,GAPAS,GAPAC,GAMAF,DF, 08890  
 C 1FY,FCP,COUT,CIN,FLMV,FLN,DIN,DOUT,RTYPE,NLAY,SPIN,SPOUT,P0,FCR, 08900  
 C 1EST,ECON,RADM1,RADM2,EQUID,BETAS,P00  
 C COMMON/PROP/SI(37),CO(37),ALEN(37) 08920  
 C COMMON/COORD/X(37),Y(37),A(37),R,BS  
 C COMMON/DESIGN/DM(5),DP(5),DV(5),VLOC(5) 08950  
 C COMMON/ISCALF/IDBUG,IPATH 08960  
 C DOUBLE PRECISION PVM1, PVM2  
 C REAL MMAX 08930

C  
 C L IS INDEX FOR LOCATIONS AT WHICH DESIGN WILL BE CHECKED 08962  
 C

L=2 08970

C  
 C SEARCH FOR MEMBER NEAR INVERT WHERE  $M/VD=3$  08972  
 C

N=0 08980  
 DO 300 I=2, 36 09010  
 G=PVM1(3,1,I)+PVM1(3,2,I) 09020  
 C=(PVM1(2,1,I)+PVM1(2,2,I)-PVM2(2,1,I-1)-PVM2(2,2,I-1))/2. 09030  
 F=0.5\*(PVM1(1,1,I)+PVM1(1,2,I)-PVM2(1,1,I-1)-PVM2(1,2,I-1)) 09040  
 IF (DABS(C+(PVM1(2,3,I)-PVM2(2,3,I-1))/2.) .LT. ABS(C)) GO TO 400 09050  
 C=C+(PVM1(2,3,I)-PVM2(2,3,I-1))/2. 09060  
 G=G+PVM1(3,3,I) 09070  
 F=F+0.5\*(PVM1(1,3,I)-PVM1(1,3,I-1)) 09080  
 400 CONTINUE 09090

D=P00\*(TH-CIN-DIN/2.)  
 IF (DIN .EQ. 0.0) D=D-P00\*0.04\*TH  
 IF (G .GT. 0.0) GO TO 350 09120

D=P00\*(TH-COUT-DOUT/2.)  
 IF (DOUT .EQ. 0.0) D=D-P00\*0.04\*TH  
 350 IF (ABS(G/C/D) .LE. 3.0) GO TO 200 09150

G1=G 09160  
 C1=C 09170  
 F1=F 09180

300 CONTINUE 09190

200 CONTINUE 09200

J=J-1 09210



```
IF (DIM .EQ. 0.) D=D-PDD*(0.04*TH)
IF (G .GT. 0.) GO TO 1450
D=PDD*(TH-COUT-DOUT/2.)
IF (DOUT .EQ. 0.) D=D-PDD*0.04*TH
1450 CONTINUE
C=APSI(C)
IF (ABS(G/C/D) .LE. 3.) GO TO 1600
G1=G
C1=C
F1=F
I=I-1
GO TO 1400
1600 CONTINUE
L=4
J=I
J1=-1
J2=J+1
GO TO 2000
2100 CONTINUE
VLOC(1)=A(1)
VLOC(5)=A(37)
DO 2400 J=1,5
DM(J)=DM(J)*FLMV
DV(J)=DV(J)*FLMV
DP(J)=DP(J)*FLM
2400 CONTINUE
RETURN
END
```

	09680
	09710
	09720
	09730
	09740
	09750
	09760
	09770
	09780
	09790
	09810
	09820
	09830
	09840
	09850
	09860
	09870
	09880
	09890
	09900
	09910
	09920
	09930
	09940
	09950



C	DO 901 I=1,5	10280
	AREA1(I)=0.0	
	AREAF(I)=0.0	
	AREAC(I)=0.0	
	RDT(I)=0.0	
	SRATIO(I)=0.0	
	AREADT(I)=0.0	
	STEXT(I)=0.0	
	SGOV(I)=0.0	
901	CONTINUE	10300
	W = ATAN(U/V)	
	B1=0.85-0.05*(FCP-4.)	10310
	IF (B1 .GT. 0.85) B1=0.85	10320
	IF( B1 .LT. 0.65) B1=0.65	10330
	FCPPSI=FCP*1000.	10340
	FYPSTI=FY*1000.	10350
	PI=3.1415926535897	
	SPMN=(RADMI+U)*2.	
C		
C	DESIGN STEEL AT THREE MOMENT SECTIONS	10380
C		
	DO 1 L=1,5,2	10400
	CASMN=1.0	10410
	CO1=0.	
	FLAY=0.	
	DIAM=DI	10430
	IFIL .EQ. 3) DIAM=DOUT	10440
	M1=ABS(OM(L))	10450
	N1=OP(L)	10460
	M1PSI=M1*1000.	10470
	N1PSI=N1*1000.	10480
	DH=0.04*TH	10490
	IF(DIAM .GT. 0.) DH=DIAM/2.	10500
	CIM=CIN	10510
	IFIL .EQ. 3) CIM=COUT	10520
	D=PO*(TH-CIM-DH)	10530
	Q=10.2*FCPPSI	
C		
C	REQUIRED STEEL FOR FLEXURE	10560
C		
	IF(Q*(Q*0*0-N1PSI*(2.*D-TH)-2.*M1PSI) .LT. 0.) GO TO 1111	10571
	AREA1(L)=(Q*D-N1PSI-SQRT(Q*(Q*0*0-N1PSI*(2.*D-TH)-2.*M1PSI))	10580
	1)/FYPSTI	10590
	AREAF(L)=AREA1(L)	
	SRATIO(L)=AREA1(L)/(12.*D)	10600
	SGOV(L)=1.	10610
C		

C	MINIMUM STEEL AREA FOR FLEXURE	10630
C		
	IF (L .EQ. 3) CASMN=0.75	10650
	IF (AREA1(L) .GT. CASMN*SPMN**2./65000.) GO TO 2	
	AREA1(L)=CASMN*SPMN**2./65000.	
	AREAF(L)=AREA1(L)	
	SRATIO(L) = AREA1(L)/(12.*D)	10671
	SGOV(L)=2.	10680
C		
C	CHECK CONCRETE COMPRESSION	10700
C		
2	AREAMP=5.5E4+12.*B1*FCPPSI*D/	10720
	1*(FYPSI*(87000.+FYPSI))-0.75*N1PSI/FYPSI	10730
	IF (AREA1(L) .LT. AREAMP) GO TO 3	10740
1111	WRITE(6,10)L,DM(L),DP(L),AREA1(L),AREAMP	10750
10	FORMAT(/,1H0,95(1H*),/ ,5X,29)DESIGN NOT POSSIBLE AT POINT ,11,	
	17H DUE TO ,7,5X,3)EXCESSIVE CONCRETE COMPRESSION M1=,F7.2,	10770
	112H IN,KIPS/FT.,5X,3)M1=,F7.2,9H KIPS/FT. ,77,5X,20)REQUIRED STEE	10780
	1L AREA=,	10780
	IF6.3,11H SQ.IN./FT.,15X,19)MAXIMUM STEEL AREA=,F6.3,11H SQ.IN./FT.	10790
	1,7,	10790
	195(1H*))	10791
	AREA1(L)=1.0E26	
	AREAF(L)=AREA1(L)	
	RDT(L)=1.0E26	
	SRATIO(L)=1.0E26	
	SGOV(L) =8.0	10801
	GO TO 1	10810
C		
C	CHECK RADIAL TENSION AT CROWN AND INVERT	10830
C	DESIGN RADIAL TENSION STIRRUPS IF REQUIRED	10840
C		
3	IF (L .EQ. 3) GO TO 990	10860
	RADTEN=(M1PSI-0.45*N1PSI*D)/(12./D/(RADI2+CIN))/1.2/SQRT(FCPPSI)*FRP	
	RDT(L)=RADTEN	
	IF (RADTEN .LE. 1.) GO TO 990	10880
	SGOV(L)=4.	10890
	K=L/2.*0.75	10900
	WRITE(6,850) RLOC(3*K-2),RLOC(3*K-1),RLOC(3*K),RAD(1),RAD(2)	10910
C		
C	SIZE RADIAL TENSION STIRRUPS	
C		
	AREADT(L) = 1.1*(M1PSI-0.45*N1PSI*D)/(D+(RADI2+CIN))	10920
C		
C	EXTENT OF RADIAL TENSION STIRRUPS	
C		
	K=2	10930
	IF (L .EQ. 5)K=36	10931



872	CONTINUE	10940
	MRAD=(PVM1(3,1,K)+PVM1(3,2,K))*FLMV*1000.	10950
	NRAD = 0.5*(PVM1(1,1,K)+PVM1(1,2,K)-PVM2(1,1,K-1)-PVM2(1,2,K-1))*	10960
	IFLN*1000.	10961
	IF(PVM1(3,3,K) .LT. 0.0) GO TO 871	10970
	MRAD=(MRAD+PVM1(3,3,K))*FLMV*1000.	10980
	MRAD=NRAD+(0.5*(PVM1(1,3,K)-PVM2(1,3,K-1)))*IFLN*1000.	10990
871	CONTINUE	11000
	RADST= RAD12+CIN	11001
	IF(A(K) .GT. W)RADST=RAD11+CIN	11002
	RADTEN=(NRAD-0.45*NRAD*0)/(12.*0*(RADST)+1.2*SQRT(FCPPSI))	11010
	IF(RADTEN .LT. 1) GO TO 873	11020
	K=K+1	11030
	IFIL .EQ. 5)K=K-2	11040
	GO TO 872	11050
873	CONTINUE	11060
	IF(L .EQ. 5) K=3R-K	11070
	STSPA(L) = 0.7*0	11080
	IF(A(K) .LT. W) GO TO 874	11100
	STEXT(L) =(RADM2*W+RADM1*(A(K)-W))*2.	11110
	GO TO 990	11120
874	CONTINUE	11130
	STEXT(L)=2.*RADM2*A(K)	11140
C		
C	STEEL AREA BASED ON 0.01 INCH CRACK	11170
C		
990	CONTINUE	11210
	SIM=SPIN	11220
	IF(L .EQ. 3) SIM=SPOUT	11230
	ITMP = IFIX(PTYPE)	
	GO TO (1000,2000,3000),ITMP	
1000	C0=1.0	11250
	B2=(0.5*CIM**2*SIM/NLAY)**(1./3.)	11260
	GO TO 140	11270
2000	C0=1.5	11280
	B2=1.0	11290
	FLAY=CIM**2.*SIM/NLAY	11300
	GO TO 140	11310
3000	C0=1.9	11320
	B2=(0.5*CIM**2*SIM/NLAY)**(1./3.)	11330
140	M0=MIPSI/FLMV	11340
	N0=N1PSI/FLN	11350
	D=D/P0	
	E=M0/N0+0-TH/2.	11360
	IF((E/D) .LT. 1.15) GO TO 1	11370
619	J=0.74+0.1*E/D	11390
	IF(J .GT. 0.90) J=0.90	11400
	P=1./(1.-J*D/E)	11410

```

620 CONTINUE 11420
R1=(1*0*AD*(D-TH/2.))*E2/(30000.*J*F*P0*D*FCR)
R1=C0*B2*12.*TH**2.*SQRT(FCPPSI)/(30000.*FCR*D*P0)
AREA01=R1 11450
IF(C01 .EQ. 1.) GO TO 625 11460
IF(FLAY .LT. 3.) GO TO 650 11470
C01=1. 11480
C0=1.9 11490
R2=(1.5*FLAY)**(1./3.) 11500
AREA12=AREA01 11510
GO TO 620 11520
625 IF(AREA12 .GT. AREA01) AREA01=AREA12 11530
650 CONTINUE 11540
CRACK=AREA01/AREA1(L) 11550
CRIND(L)=CRACK
AREAC(L)=AREA01

C
C SERVICE LOAD CRACK CONTROL INDEX LIMIT 11570
C
IF(CRACK .LE.1.) GO TO 1 11590
IF(SGOV(L) .EQ. 4.) GO TO 666 11600
SGOV(L)=3. 11610
GO TO 667 11620
666 CONTINUE 11630
SGOV(L)=5. 11640
667 CONTINUE 11650
C
C STEEL AREA IS DETERMINED BY CRACK CONTROL 11670
C
AREA1(L)=AREA01 11690
SRATIO(L)=AREA1(L)/(12.*D*P0)
CONTINUE 11710
C
C EVALUATE DIAGONAL TENSION SHEAR 11730
C
DO #10 K=2,4,2 11750
STIND=0.0
AREVRT=0.0
AREVDT=0.0
M1=ABS(DM(K)) 11770
N1=DP(K) 11780
VU=ABS(DV(K)) 11790
IF(K .EQ. 4) GO TO 1051 11791
SRAT=SRATIO(1)*P0/P00
IF(SGOV(1) .LT. 8.) GO TO 1052 11793
SGOV(K) = 8.0 11794
AREA1(K)=1.0E26
SRATIO(K)=1.0E26

```

	GO TO 810	11796
1051	SRAT=SRATIO(5)*PD/P00	
	IF(SGOV(5) .LT. 8.0)GO TO 1052	11798
	SGOV(K) = 8.0	11799
	AREA1(K)=1.0E26	
	SRATIO(K)=1.0E26	
1052	CONTINUE	11801
	IF (SRAT .GT. 0.02) SRAT=0.02	11820
	M1PSI=M1*1000.	11830
	N1PSI=N1*1000.	11840
	V1PSI=V1*1000.	11850
	OH=0.04*TH	11860
	IF (DIN .GT. 0.0) OH=CIN/2.	11870
	D=TH-CIN-OH	
	FD=0.8+1.6/D	11890
	IF(FD .GT. 1.25) FD=1.25	11900
	FN=0.5*(N1/6./V1)+SQRT(0.25+(N1/6./V1)**2.)	11910
	IF(FN .LT. 0.75) FN=0.75	11911
	R=RADM1	11920
	IF(VLOC(K) .LT. W) R=RADM2	11930
	IF(VLOC(K) .GT. PI-W) R=RADM2	11940
	RADST=R+CIN-TH/2.	11950
	IF (FCPPSI .GT. 7000. ) FCPPSI=7000.	11960
	FC=1.0*D/2./R	11970
	VC=(1.1+63.0*SRAT)*SQRT(FCPPSI)*P00*12.0*D*FD*FVP/(FC*FN)	
	ROTTIN=V1PSI/VC	
	IF( ROTTIN .LE. 1.) GO TO 8	
	AREA1(K)=0.1587*FC*FN*V1PSI/(FD*FVP*SQRT(FCPPSI))-0.20952*P00*D	
	SGOV(K)=6.	12040
	SRATIO(K)=AREA1(K)/(12.*D*P00)	
	IF(SRATIO(K) .LT. 0.02) GO TO 9050	12060
	SGOV(K)=7.0	12061
	AREA1(K)=1.0E26	
	SRATIO(K)=1.0E26	
9050	CONTINUE	12063
	IF(K .EQ. 4)GO TO 9	12070
	WRITE(6,850)RLOC(1),RLOC(2),RLOC(3),DAG(1),CAG(2)	12071
	GO TO 6	12072
9	WRITE(6,850)RLOC(7),RLOC(8),RLOC(9),DAG(1),CAG(2)	12073
6	STIND=2.	12080
8	CONTINUE	12120
C		
C	STIRRUP DESIGN	12140
C		
	IF(STIND .EQ. 0.0) GO TO 830	12160
C		
C	STIRRUP DESIGN FOR RADIAL TENSION	12180
C		

$$AREVRT = 1.1 * (M1PSI - 0.45 * N1PSI * D * PCD) / (PCD * D * RADST)$$

```

C
CSTIRRUP DESIGN FOR DIAGONAL TENSION                                12220
C
  IF ( VC .GT. 2 * SQRT(FCPPSI) * 12. * PCD * D ) VC = 2. * SQRT(FCPPSI)
  1 * 12. * PCD * D
  AREVDT = 1.1 / (PCD * D) * (VUPSI * FC - PCD * VC) * AREVRT
880  CONTINUE                                                        12270
  AREAUT(K) = AREVDT
  N = VI * CC(K) / 0.987266 + 0.5
5000 CONTINUE                                                        12281
  V1 = 0.5 * (PVM1(2,1,N) + PVM1(2,2,N) - PVM2(2,1,N-1) - PVM2(2,2,N-1)) * FLMV 12320
  M1 = (PVM1(3,1,N) + PVM1(3,2,N)) * FLMV 12330
  N1 = 0.5 * (PVM1(1,1,N) + PVM1(1,2,N) - PVM2(1,1,N-1) - PVM2(1,2,N-1)) * FLM 12340
  IF (DABS(V1 + (0.5 * (PVM1(2,3,N) - PVM2(2,3,N-1))) * FLMV) .LT. ABS(V1))
  1 GO TO 4000
  V1 = V1 + 0.5 * (PVM1(2,3,N) - PVM2(2,3,N-1)) * FLMV 12360
  M1 = M1 + PVM1(3,3,N) * FLMV 12370
  N1 = N1 + 0.5 * (PVM1(1,3,N) - PVM2(1,3,N-1)) * FLM 12380
4000 CONTINUE                                                        12390
  DH = DCUT 12400
  CIM = COUT 12410
  IF (M1 .LT. 0.0) GO TO 6600 12420
  CIN = CIN 12430
  DH = DIN 12440
6600 CONTINUE                                                        12450
  V1 = ABS(V1) 12460
  M1PSI = ABS(M1 * 1000.) 12470
  N1PSI = M1 * 1000. 12480
  V1PSI = V1 * 1000. 12490
  IF (DH .EQ. 0.0) DH = 0.08 * TH 12491
  D = TH - CIM - DH / 2.
  FU = 0.80 * 1.6 / D 12510
  IF (FD .GT. 1.25 ) FD = 1.25 12520
  FN = 0.5 - (N1 / V1 / 6.) + SQRT(0.25 + (N1 / V1 / 6.) ** 2) 12530
  IF (FN .LT. 0.75) FN = 0.75 12531
  R = RADM1 12540
  IF (A(N) .LT. W) R = RADM2 12550
  IF (A(N) .GT. (PI - W)) R = RADM2 12560
  FC = 1.0 * D / 2. * R 12570
  SRAT = SRATIO(1) * P0 / PCD
  IF (L .EQ. 4) SRAT = SRATIO(5) * P0 / PCD
  IF (M1 .GT. 0.0) GO TO 6601 125P
  FC = 1.0 * D / (2. * R) 125
  SRAT = SRATIO(3) * P0 / PCD
6601 CONTINUE                                                        12
  VC = (1.1 + 63.0 * SRAT) * SQRT(FCPPSI) * PCD * D * 12. * FD * FVP / (FC * FN)
  1 * 4. / (M1PSI / (V1PSI * PCD * D) + 1)

```

```

      JF ( VC .GT. 4.5*SQRT(FCPPSI)*POD*D*12./FN) VC=4.5*SQRT(FCPPSI)
1*POD*D*12./FN
      TF (VC .GE. V1PSI) GO TO 6000
      N=N+1
      IF (K .EQ. 4) N=N-2.
      GO TO 5000
6000 CONTINUE
      IF (K .EQ. 4) GO TO 7000
      STEXT(K)=RADM2*A(N)*2.D
      IF (A(N) .GT. W) STEXT(K)=(RADM2+W+(A(N)-W)*RADM1)*2.
      STSPA(K)=0.75*POD*D
      GO TO 810
7000 CONTINUE
      STEXT(K)=(PI-A(N))*RADM2*2.
      IF (A(N) .LT. (PI-W)) STEXT(K)=(W+RADM2+(PI-A(N)-W)*RADM1)*2.
      STSPA(K)=0.75*POD*D
      GO TO 810
830 AREADT(K)=0.0
810 CONTINUE
      IF (IDBUG .LT. 1) GO TO 950
      WRITE(6,849)
      WRITE(6,851)
      DO 848 L=1,5
      KF = (SGOV(L)+1.) * 3.
      JF = KF - 2
      VLCTM = VLDC(L)*JRC./PI
      WRITE(6,852)VLCTM,DM(L),DP(L),DV(L)
848 CONTINUE
849 FORMAT(1H1,/////,16X,24HTABLE OF ULTIMATE FORCES,/,1X,57(1H-))
850 FORMAT(//,T30,50(1H*),/,T30,1H*,48X,1H*,/,T30,1H*,18X,
17HWARNING,23X,1H*,/,T30,1H*,9X,21HSTIRRUPS REQUIRED AT ,2A4,A2,8X,
11H*,
1/,T30,1H*,9X,10HTO RESIST ,2A4,8H TENSION,13X,1H*,/,T30,50(1H*))
851 FORMAT(//,1X,7H DESIGN,/,1X,8HLOCATION,10X,6HMOMENT,9X,6HTHRUST,
19X,5HSHEAR,/,1X,57(1H-),/,1X,8HDEG FROM,7X,12HIN,KIPS/FOOT,5X,
29HKIPS/FOOT,5X,9HKIPS/FOOT,/,2X,6HINVERT)
852 FORMAT(//,2X,F6.2,6X,F12.3,4X,F10.3,4X,F10.3)
      WRITE(6,710)
710 FORMAT(1H1,/////,49X,*FLEXURE DESIGN TABLE*,/,1X,11/(1H-),//,
15X,*DESIGN*,/,4X,*LOCATION*,21X,*DESIGN VALUES*,36X,*GOVERNING DES
2IGN*,/,4X,8(1H-),3X,45(1H-),4X,50(1H-),//,4X,*DEG FROM*,10X,*REINF
3ORCING*,9X,*CRACK*,3X,*RADIAL TENSION*,15X,*STEEL*,3X,*STIRRUP*,
43X,*STIRRUP*,5X,*GOVERNING*,/,5X,*INVERT*,5X,*FLEXURE*,3X,*CRACK C
5ONTROL*,3X,*INDEX*,7X,*INDEX*,11X,*AREA*,5X,*RATIO*,3X,*FACTOR*,
64X,*EXTENT*,7X,*MODE*,/,15X,*SQ.IN./FT*,4X,*SQ.IN./FT*,31X,*SQ.IN.
7/FT*,22X,*IN.*)
      DO 701 L=1,5,2
      KF=(SGOV(L)+1.)*3.

```

```
JF=KF-2
VLCTM=VLOC(L)*180./PI
IF(AREAC(L).GE.0) GO TO 719
AREAC(L)=0
CRIND(L)=0.0
718 CONTINUE
719 WRITE(6,720) VLCTM,AREAF(L),AREAC(L),CRIND(L),ROD(L),AREA1(L),
1SRATIO(L),AREADT(L),STEXT(L),(GOVERN(LF),LF=JF,KF)
720 FORMAT(/,5X,F6.2,5X,F7.3,6X,F7.3,5X,F5.3,9X,F6.3,10X,F7.3,2X,F6.4,
11X,F8.1,2X,F8.1,3X,3A4)
701 CONTINUE
WRITE(6,711)
711 FORMAT(/////////,29X,"SHEAR DESIGN TABLE",/,1X,76(1H-),/,
15X,"DESIGN",7X,"REQUIPED",7X,"STEEL",5X,"STIRRUP",5X,"STIRRUP",
25X,"GOVERNING",/,4X,"LOCATION",5X,"REINFORCING",5X,"RATIO",6X,
3"FACTOR",6X,"EXTENT",7X,"MODE",/,4X,"DEG FROM",6X,"SG.IN./FT",30X,
4"IN.",/,5X,"INVERT")
DO 702 L=2,4,2
KF=(SGOV(L)+1.)*3.
JF=KF-2
VLCTM=VLOC(L)*180./PI
WRITE(6,721)VLCTM,AREA1(L),SRATIO(L),AREADT(L),STEXT(L),
1(GOVERN(LF),LF=JF,KF)
721 FORMAT(/,5X,F6.2,8X,F7.3,6X,F6.4,4X,F8.1,3X,F8.1,4X,3A4)
702 CONTINUE
950 CONTINUE
END
```

13020

13030

## SUBROUTINE PRINT

13070

```

C
C ORGANIZES AND PRINTS OUT A PIPE DESIGN SUMMARY SHEET FROM DATA
C ACCUMULATED IN THE COMMON BLOCKS STLAR(CALCULATED STEEL AREAS FROM
C SUBROUTINE DESIGN) AND RSCALE(RDATA ARRAY GENERATED IN SUBROUTINES
C READ AND INIT)
C THE PRINTOUT INCLUDES THE FOLLOWING:
C   INSTALLATION DATA
C   MATERIAL PROPERTIES
C   LOADING DATA
C   PIPE DATA
C   FLUID DATA
C   REINFORCING DATA
C THE OUTPUT IS AVAILABLE WITH ALL IDBUG VALUES.
C
COMMON/RSCALE/RAD11,RAD12,H,U,V,TH,BETA,HH,GAMAS,GAMAC,GAMAF,DF,
1FY,FCP,COUT,CIN,FLMV,FLN,DIN,DOUR,RTYPE,NLAY,SPIN,SPOUT,PC,FCR
1,EST,ECON,RAOM1,RADM2,EQUID,BETAS,POD
COMMON/STLAK/AREA1(5),SRATIO(5),SGCV(5),AREADT(5),STEXT(5)
1,STSPA(5)
INTEGER RTYPE,P
13090
13110
13120
13130
C
C SET UP DESIGN TABLES
C
WRITE(6,99)
99 FORMAT(1H1)
IF (RAD11 .EQ. RAD12) GO TO 10
SPAN=2.0*(U+RAD11)
RISE=2.0*(RAD12-V)
WRITE(6,1000)SPAN,RISE
1000 FORMAT(1H0,F5.1,12HINCH SPAN X ,F5.1,45HINCH RISE REINFORCED ELLIP
1TICAL CONCRETE PIPE,/,71(1H*))
GO TO 20
10 R1TMP = RAD11*2.
WRITE(6,2000)R1TMP
2000 FORMAT(1H0,F5.1,47HINCH DIAMETER REINFORCED CONCRETE CIRCULAR PIPE
1,/,71(1H*))
20 CONTINUE
WRITE(6,6000)
6000 FORMAT(1H0,/,34H I N S T A L L A T I O N   D A T A ,/,1X,71(1H-))
BTMP = BETA*180./3.1415926536
BTMPS = BETAS*180./3.1415926536
WRITE(6,7000)H,GAMAS,HH,BTMP,BTMPS
7000 FORMAT(5X,31HHEIGHT OF FILL ABOVE CROWN, F1,29X,F6.2,/,5X,16HUNIT
1WEIGHT, PCF,44X,F6.2,/,5X,
138HSoil-structure interaction coefficient ,22X,F6.2 ,
1/,5X,22HBedding angle, DEGREES ,38X,F6.2 ,
2/,5X,20HLoad angle, DEGREES ,40X,F6.2)
13210
13260
13380

```

```

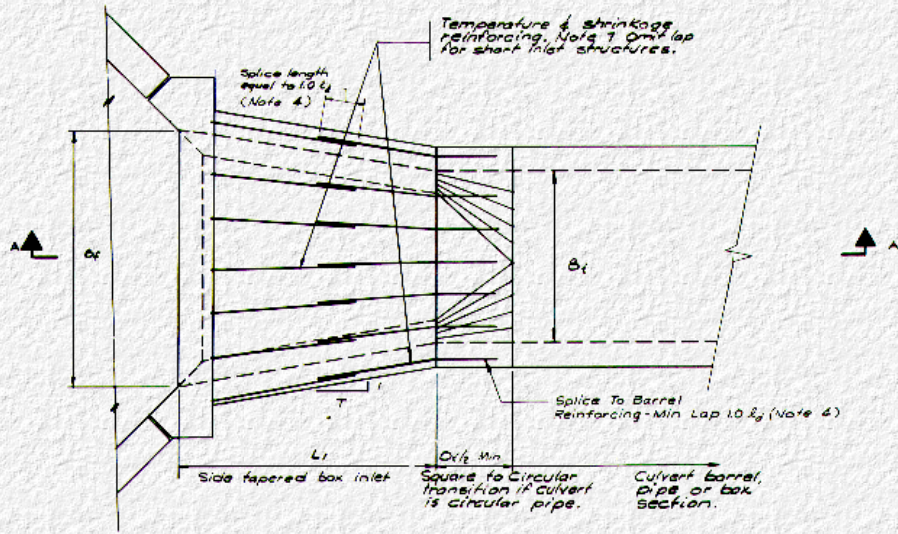
WRITE(6,3000) 13280
3000 FORMAT(1H0,/,38H M A T E R I A L P R O P E R T I E S ,/,1X
1,71(1H-)) 13300
FYTMP = FY*1000.
FCPTM = FCR*1000.
WRITE(6,4000)FYTMP,RTYPE,NLAY,FCPTM
4000 FORMAT(5X,43HSTEEL - MINIMUM SPECIFIED YIELD STRESS, PSI , 13320
117X,F6.0,/,13X,16HREINFORCING TYPE ,36X,F6.0, 13330
17,15X,28HNO. OF LAYERS OF REINFORCING ,24X,F6.0, 13340
17,5X,45HCONCRETE - SPECIFIED COMPRESSIVE STRESS, PSI , 13350
115X,F6.0) 13360
WRITE(6,9000) 13450
9000 FORMAT(1H0,/,24H L O A D I N G U A I L ,/,1X,71(1H-))
WRITE(6,1001) FLMV,FLN,PC,P00,FCR
1001 FORMAT(5X,30HLOAD FACTOR - MOMENT AND SHEAR,30X,F6.2,/, 13480
1,5X,20HLOAD FACTOR - THRUST ,40X,F6.2,/,5X, 13490
133HSTRENGTH REDUCTION FACTOR-FLEXURE,27X,F6.2,/,
15X,42HSTRENGTH REDUCTION FACTOR-DIAGONAL TENSION,18X,F6.2,/,5X,
128HLIMITING CRACK WIDTH FACTOR ,32X,F6.2)
WRITE(6,2001) 13530
2001 FORMAT(1H0,/,18H P I P E D A T A ,/,1X,71(1H-))
IF (RADI1 .NE. RADI2) WRITE(6,3002) RADI1,RADI2 13550
WRITE(6,3001) TH,CIN,CCUT 13560
3002 FORMAT(5X,13HRADIUS 1, IN.,47X,F6.2,/,5X,13HRADIUS 2, IN., 13570
147X,F6.2) 13580
3001 FORMAT(5X,19HWALL THICKNESS, IN. ,41X,F6.2,/, 13590
15X,39HINSIDE CONCRETE COVER OVER STEEL, IN. ,22X,F6.2, 13600
17,5X,38HOUTSIDE CONCRETE COVER OVER STEEL, IN. ,22X,F6.2) 13610
WRITE(6,4001) GAMAF,DF 13630
4001 FORMAT(1H0,/,20H F L U I D D A T A ,/,1X,71(1H-),/, 13650
15X,19HFLUID DENSITY, PCF. ,41X,F6.2,/,5X, 13660
134HDEPTH OF FLUID, INCHES ABOVE INVERT ,26X,F6.2) 13680
WRITE(6,5001)
5001 FORMAT(1H0,/,44H R E I N F O R C I N G S T E E L D A T A
17,17,71(1H-))
ASINV=AREA1(1) 13710
ASSPR=AREA1(3) 13720
ASCRN=AREA1(5) 13730
STEXTM = AMAX1(STEXT(1)+0.5,STEXT(2)+0.5 )
AREDTX = AMAX1(AREADT(1),AREADT(2))
STSPAM = STSPA(2)
IF (STSPA(1) .NE. 0.)STSPAM=AMIN1(STSPA(1),STSPA(2))
IF (SGOV(1) .LT. 4. )GO TO 101 13770
WRITE(6,6001) ASINV,ASSPR,ASCRN 13780
6001 FORMAT(5X,39HINVERT- INSIDE REINFORCING, SQ.IN./FT. ,22X, 13790
1F6.3,/,5X,43HSPRINGLINE- OUTSIDE REINFORCING, SQ.IN./FT.,17X, 13800
1F6.3,/,5X,37HCROWN- INSIDE REINFORCING, SQ.IN./FT.,23X,F6.3) 13810
IF (SGOV(1) .EQ. 8.) GO TO 103

```

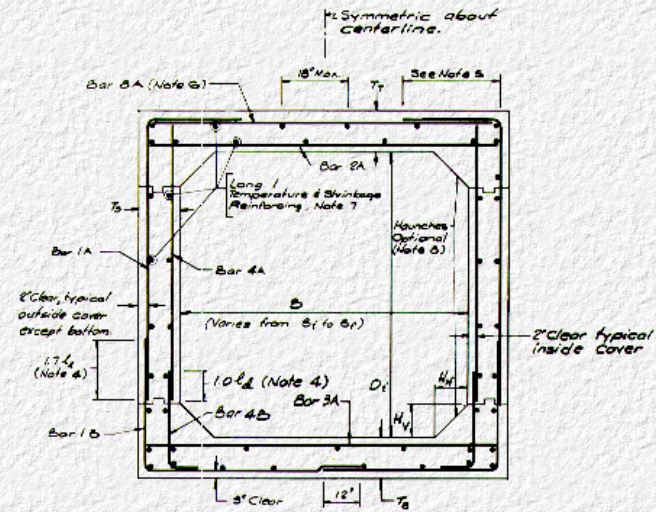


7001	WRITE(6,7001) STEXTM,AREDTX,STSPAM FORMAT(/,5X,22HSTIRRUPS REQUIRED OVER ,F6.0,2X, 116HINCHES AT INVERT, /,5X,21HSTIRRUP DESIGN FACTOR 132H; AV=SDF*SPACING/(STIRRUP YIELD) ,8X,F6.1,/ 15X,31HMAXIMUM STIRRUP SPACING, INCHES,29X,F6.1) GO TO 103	13830 13850 13860
101	IF (SGOV(2) .LT. 7.) GO TO 102 WRITE(6,6001) ASINV,ASSPR,ASCRN WRITE(6,7001) STEXTM,AREDTX,STSPAM GO TO 103	13870 13880
102	IF (SGOV(2) .NE. 6.) GO TO 10A WRITE(6,6001)ASINV,ASSPR,ASCRN WRITE(6,7001) STEXTM,AREDTX,STSPAM ASINV=AREA1(2)	13900 13920 13930 13950
103	CREXTM = AMAX1(SIEXT(4)+0.5,STEXT(5)+0.5 ) CRASTM = AMAX1(AREADT(4),AREADT(5)) CRSTSP = STSPA(4) IF (STSPA(5) .NE. 0.)CRSTSP=AMIN1(STSPA(4),STSPA(5)) IF (SGOV(5) .LT. 4.) GO TO 104 IF ( SGOV(5) .EQ. 8.) GO TO 110 WRITE(6,8001) CREXTM,CRASTM,CRSTSP	14010
8001	FORMAT(/,5X,22HSTIRRUPS REQUIRED OVER ,F6.0,2X, 115HINCHES AT CROWN ,/,5X,21HSTIRRUP DESIGN FACTOR 132H; AV=SDF*SPACING/(STIRRUP YIELD) ,8X,F6.1,/ 15X,31HMAXIMUM STIRRUP SPACING, INCHES,29X,F6.1) GO TO 110	14030 14050 14060
104	IF (SGOV(4) .LT. 7.) GO TO 105 WRITE(6,8001) CREXTM,CRASTM,CRSTSP GO TO 110	14080 14100
105	IF (SGOV(4) .NE. 6.) GO TO 106 WRITE(6,8001) CREXTM,CRASTM,CRSTSP ASCRN=AREA1(4) IF(SGOV(1) .GE. 4.0)GO TO 109 IF(SGOV(2) .NE. 6.0)GO TO 109 WRITE(6,9001) WRITE(6,6001) ASINV,ASSPR,ASCRN GO TO 110	14120 14140 14141 14142 14143 14144 14145 14146
109	WRITE(6,9002)	14148
9002	FORMAT(/,45HDALTERNATE REINFORCING WITHOUT CROWN STIRRUPS,/) WRITE(6,6001)ASINV,ASSPR,ASCRN IF(SGOV(2) .EQ. 8.0 ) GO TO 110 WRITE(6,7001) STEXTM,AREDTX,STSPAM GO TO 110	14150
106	IF (SGOV(1) .GE. 4.) GO TO 110 IF (SGOV(2) .NE. 6.) GO TO 110	14170 14180
107	WRITE(6,9001)	14190
9001	FORMAT(/,39HDALTERNATE REINFORCING WITHOUT STIPRUPS ,/) WRITE(6,6001) ASINV,ASSPR,ASCRN	14210

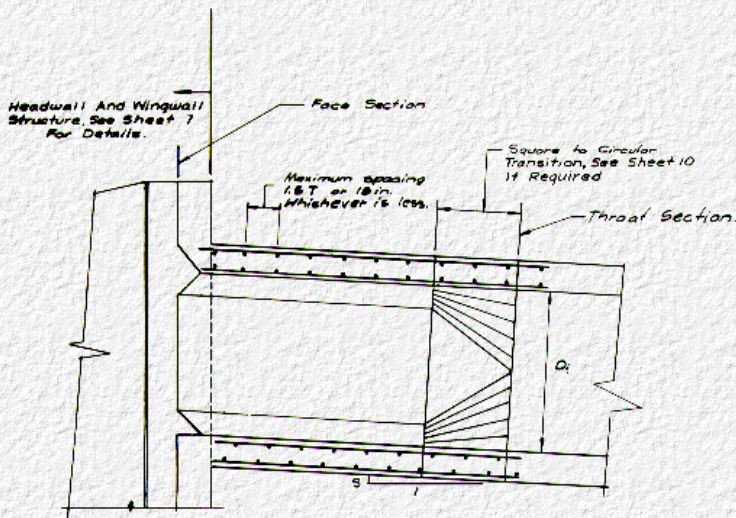
	GO TO 110	14220
108	CONTINUE WRITE(6,6001) ASINV,ASSPR,ASCRN	14240 14250
110	CONTINUE RETURN END	14270 14280 14290



TYPICAL PLAN



TYPICAL SECTION - SINGLE CELL BOX INLETS



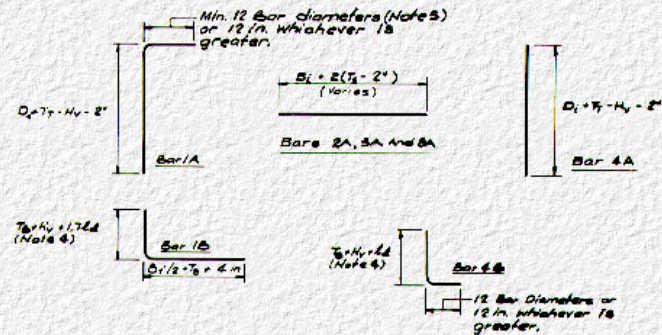
SECTION A-A

NOTES:

- Design Specifications: AASHTO Standard Specifications for Highway Bridges, 1977 and 1978, 1979, 1980 and 1981 Interim Specifications.
- For reinforcing schedule for specific inlet sizes see Appendix E.
- For reinforcing and cover requirements for precast concrete box sections see ASTM Standard Specification C789 (AASHTO M259).
- For deformed bar reinforcing, the basic development length ( $l_d$ ) is determined according to AASHTO Section 1.5.14 for #11 or smaller bars as:  

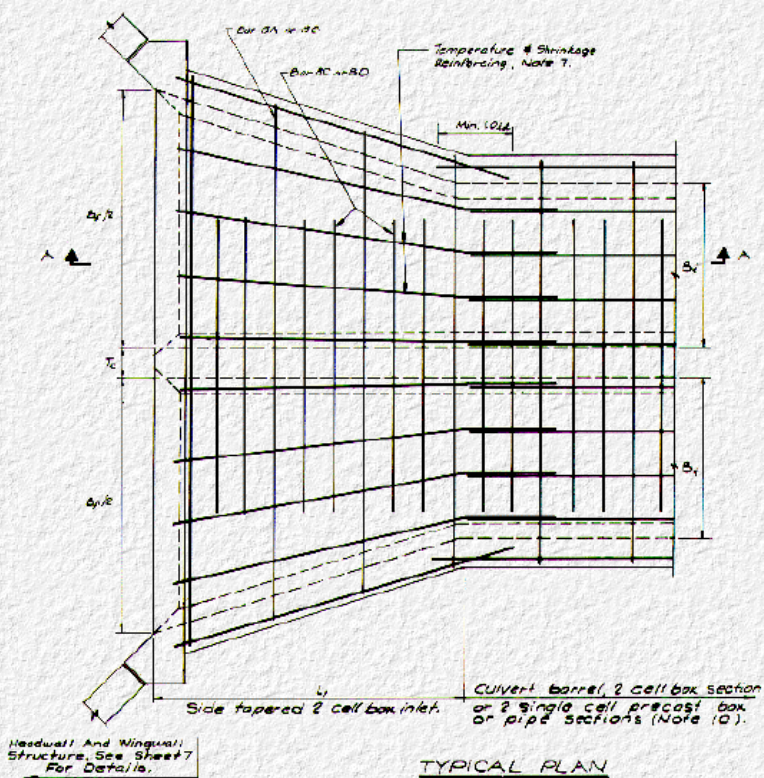
$$l_d = \frac{0.04 A_b f_y}{f'_c} \geq 0.0004 d_b f_y \geq 12 \text{ in.}$$

See Section 1.5.14 for required development lengths of other types of reinforcing.
- 12 ( $H_b + T_b - 2 \text{ in.}$ )  $< l_d$  for bar 3A then bar 1A must be extended beyond the tip of the haunch by:  
 $(l_d \text{ bar 3A}) - (H_b + T_b - 2 \text{ in.})$  (Area of bar 3A)  
 $(l_d \text{ bar 3A})$  (Area bar 1A) ( $l_d \text{ bar 1A} \geq 12'$ )
- Alternate reinforcing scheme is to omit bar 3A, make bar 1A the size of 1A or 3A whichever is larger, and extend it across the top of slab, lapping it 12 in.
- Temperature and shrinkage reinforcing must meet the requirements of the AASHTO Bridge Specification Section 1.5.12. The total reinforcing provided shall be at least 1/8 sq in./ft and be spaced not more than 3 times the wall or slab thickness nor 18 in.
- If haunches are not used, or if reinforcing sizes larger than #8 are used for bars 1A or 1B, additional reinforcing area, above that needed to meet flexural requirements, may be necessary to meet the development length requirements of the AASHTO Bridge Specification Section 1.5.13.
- See notes on sheet 9 for reinforcing and concrete requirements.

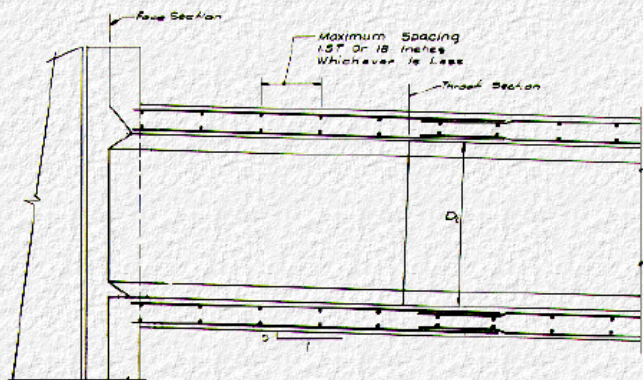


CIRCUMFERENTIAL REINFORCING DIMENSIONS

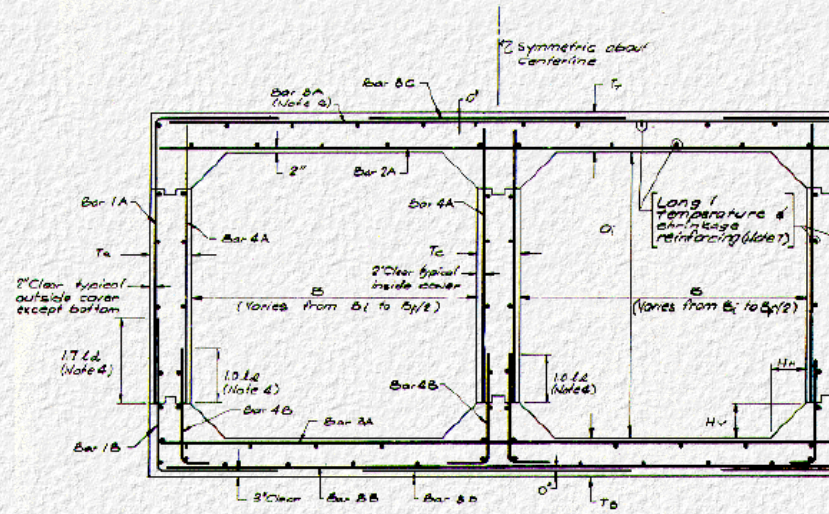
<b>U.S. DEPARTMENT OF TRANSPORTATION</b> <b>FEDERAL HIGHWAY ADMINISTRATION</b>  WASHINGTON, D.C.  Example Standard Plans For Improved Inlets		
<b>TYPICAL REINFORCING LAYOUT</b> <b>SIDE TAPERED SINGLE CELL BOX INLETS</b> Do Not Scale		
RECOMMENDED <i>[Signature]</i> <small>Chief Design and Inspection Branch</small>	RECOMMENDED <i>[Signature]</i> <small>Chief Bridge Division</small>	SHEET NO. <b>1</b>
RECOMMENDED <i>[Signature]</i> <small>Chief Hydraulic Branch</small>	APPROVED <i>[Signature]</i> <small>Director, Office of Engineering</small>	



TYPICAL PLAN



SECTION AA

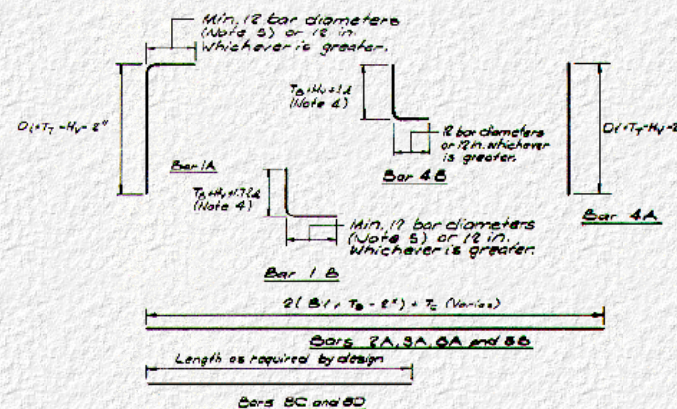


TYPICAL SECTION - TWO CELL BOX INLET

NOTES:

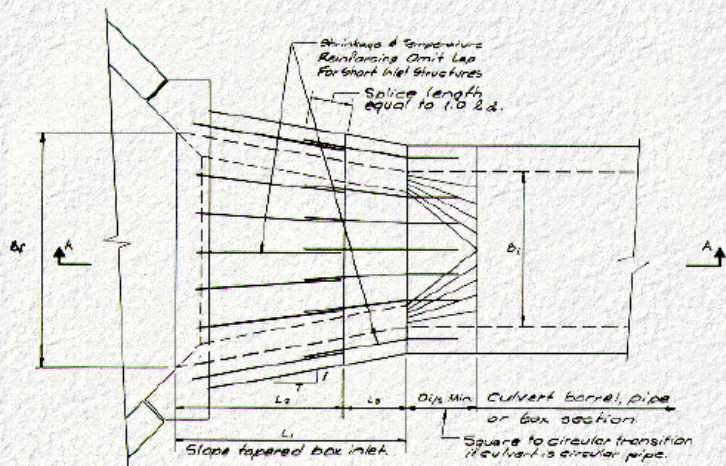
- Design Specifications: AASHTO Standard Specifications for Highway Bridges, 1977 and 1978, 1973, 1980 and 1981 Interim Specifications.
- For reinforcing schedule for specific inlet sizes see Appendix E.
- For reinforcing requirements for precast concrete box sections see ASTM Standard Specification C789 (AASHTO M219).
- For deformed bar reinforcing, haunch development length ( $L_d$ ) is determined according to the AASHTO Bridge Specification Section 1.5.14 for #11 or smaller bars as:
 
$$L_d = \frac{0.04 A_b f_y}{\sqrt{f'_c}} \geq 0.0104 d_b f_y \geq 12 \text{ in.}$$
 See Section 1.5.14 for required development lengths of other types of reinforcing.
- If  $(H_2 + T_0 - 2 \text{ in.}) < L_d$  for bar 8A then bar 1A must be extended beyond the tip of the haunch by:
 
$$l_d \text{ (bar 8A)} - (H_2 + T_0 - 2 \text{ in.}) \text{ (Area of bar 8A)} \geq 12"$$

$$(L_d \text{ bar 8A}) \text{ (Area bar 1A)} \geq 12"$$
- Alternate reinforcing scheme is to omit bar 8A, make bar 1A the size of 1A or 8A whichever is larger, and extend it across the top of slab, lapping it 12 in. with bar 8C.
- Temperature and shrinkage reinforcing must meet the requirements of the AASHTO Bridge Specification Section 1.5.12. The total reinforcing provided shall be at least 1/8 sq in./ft and be spaced not more than 3 times the wall or slab thickness nor 18 in.
- If haunches are not used, or if reinforcing sizes larger than #1 are used for bars 1A or 1B, additional reinforcing area, above that needed to meet flexural requirements, may be necessary to meet the development length requirements of the AASHTO Bridge Specification Section 1.5.12.
- See notes on Sheet 9 for reinforcing and concrete requirements.
- If precast box or pipe sections are used to form the two cell culvert, the two cell inlet may still be used as shown provided the engineer modifies the center wall geometry for a box section barrel, or designs a two cell square to circular transition section similar to that shown for one cell transitions in Sheet 10.



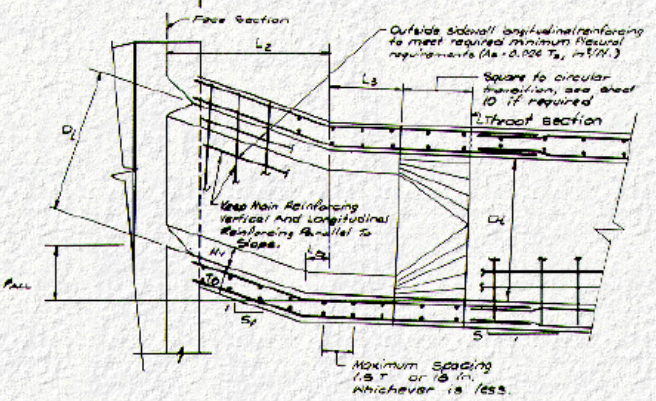
CIRCUMFERENTIAL REINFORCING DIMENSIONS

<b>U.S. DEPARTMENT OF TRANSPORTATION</b> <b>FEDERAL HIGHWAY ADMINISTRATION</b> WASHINGTON, D.C. Example Standard Plans For Improved Inlets TYPICAL REINFORCING LAYOUT SIDE TAPERED TWO CELL BOX INLETS Do Not Scale		
RECOMMENDED <i>John J. Ahlberg</i> Chief Design and Inspection Branch	RECOMMENDED <i>Bob Smith</i> Chief Bridge Division	SHEET NO. <b>2</b>
RECOMMENDED <i>Bob R. Dyer</i> Civil Hydraulics Branch	APPROVED <i>Don W. Cleverley</i> Director, Office of Experimentation	

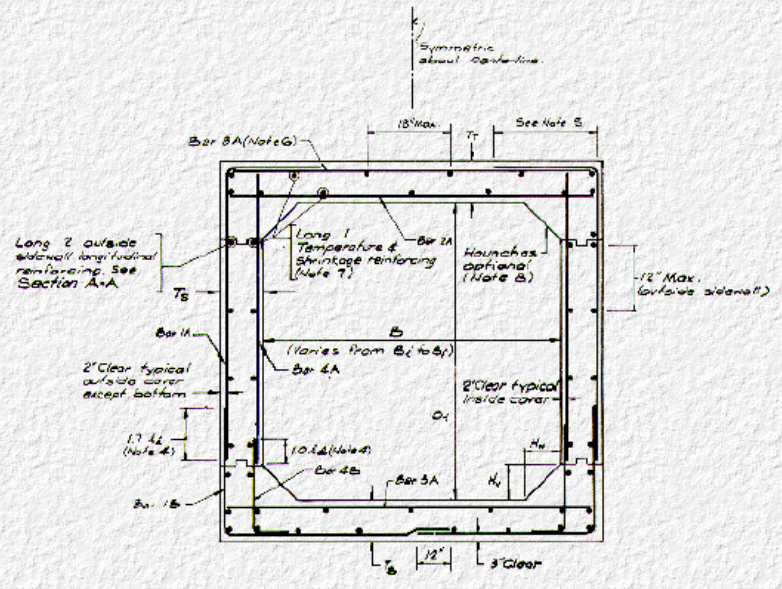


TYPICAL PLAN

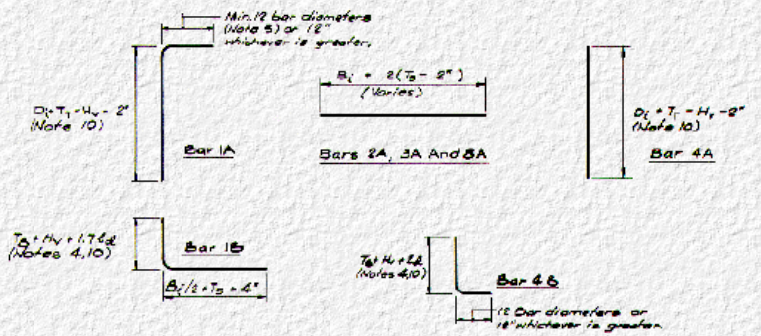
Headwall And Wingwall Structure See Sheet 1. For Details.



SECTION A-A



TYPICAL SECTION - SINGLE CELL BOX INLETS



CIRCUMFERENTIAL REINFORCING DIMENSIONS

- WORDS:
- Design Specifications: AASHTO standard specifications for Highway Bridges, 1977 and 1978, 1979, 1980 and 1991 Interim Specifications.
  - For reinforcing schedule for specific inlet sizes see Appendix E.
  - For reinforcing and cover requirements for precast concrete box sections see ASTM Standard Specification C759 (AASHTO M259).
  - For deformed bar reinforcing basic development length ( $l_d$ ) is determined according to the AASHTO Bridge Specification Section 1.5.14 for #11 or smaller bars as:
 
$$l_d = \frac{0.04 A_b f_y}{f_c} \geq 0.004 d_b E_f \geq 12 \text{ in.}$$
 See Section 1.5.14 for required development lengths of other types of reinforcing.
  - If  $(H_1 + T_1 - 2 \text{ in.}) \leq l_d$  for bar 8A then bar 1A must be extended beyond the tip of the haunch by:
 
$$(2 \text{ bar } 8A) = (H_1 + T_1 - 2 \text{ in.}) \text{ (Area of bar } 8A)$$

$$(1_d \text{ bar } 1A) \geq 17$$

$$(2 \text{ bar } 8A) \text{ (Area bar } 1A)$$
  - Alternate reinforcing scheme is to omit bar 8A, make bar 1A the size of 1A or 8A whichever is larger, and extend it across the top of slab, lapping it for 12 in.
  - Temperature and shrinkage reinforcing must meet the requirements of the AASHTO Bridge Specification Section 1.5.17. The total reinforcing provided shall be at least  $1/8 \text{ sq in./ft.}$  and be spaced not more than 1 times the wall or slab thickness nor 18 in.
  - If haunches are not used, or if reinforcing area larger than #8 are used for bars 1A or 1B, then additional reinforcing area, above that needed to meet flexural requirements may be necessary to meet the development length requirements of the AASHTO Bridge Specification Section 1.5.13.
  - See notes on Sheet 9 for reinforcing and concrete requirements.
  - The lengths of bars 1A, 1B, 4A, and 4B are for the  $l_1$  segment. These lengths must be multiplied by  $\sqrt{1 + (L_2/L_1)^2}$  for all of the  $l_2$  segment, except the segment  $l_3$  where transition lengths occur.

**U.S. DEPARTMENT OF TRANSPORTATION  
FEDERAL HIGHWAY ADMINISTRATION**

WASHINGTON, D.C.

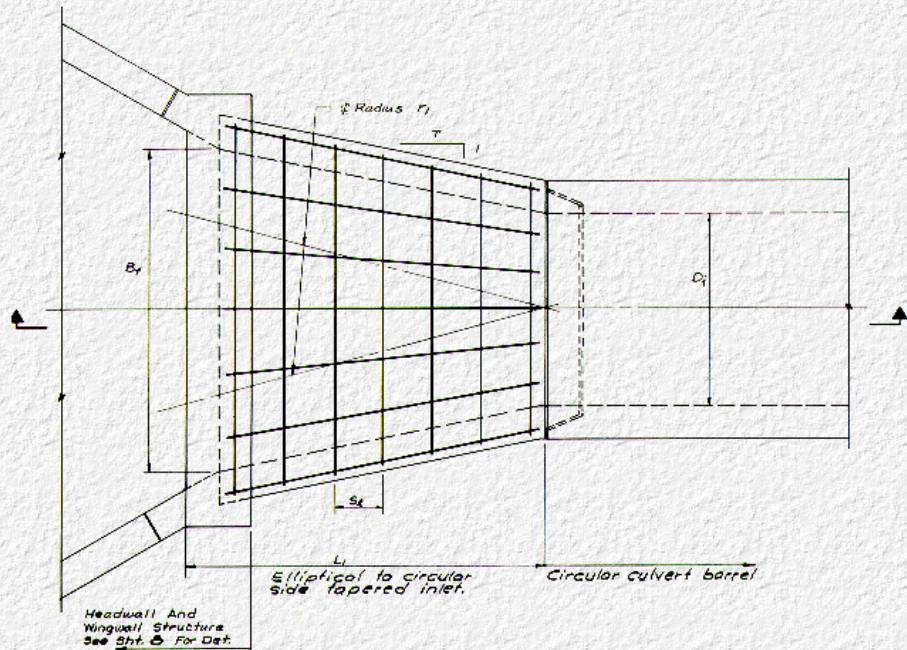
**Example Standard Plans For Improved Inlets**

**TYPICAL REINFORCING LAYOUT  
SLOPE TAPERED SINGLE CELL BOX INLETS**

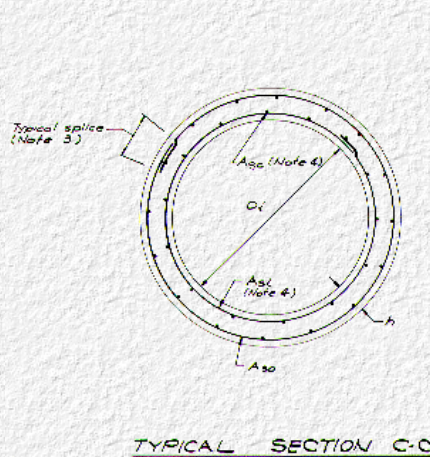
Do Not Scale

RECOMMENDED <i>John J. Chittling</i> CHIEF ENGINEER, DESIGN GROUP	RECOMMENDED <i>John J. Chittling</i> CHIEF ENGINEER, DESIGN GROUP	SHEET NO <b>3</b>
RECOMMENDED <i>John J. Chittling</i> CHIEF ENGINEER, DESIGN GROUP	APPROVED <i>David J. Chittling</i> DIRECTOR, OFFICE OF ENGINEERING	

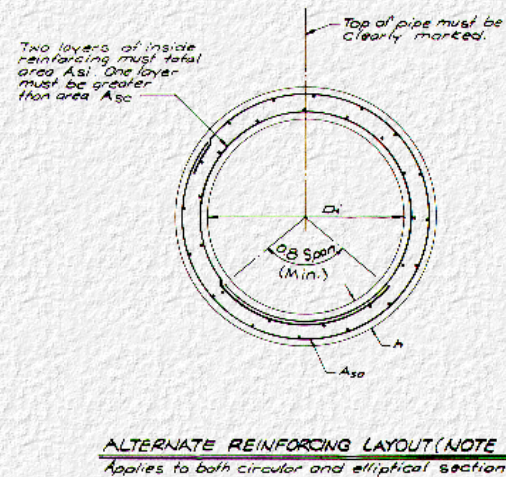




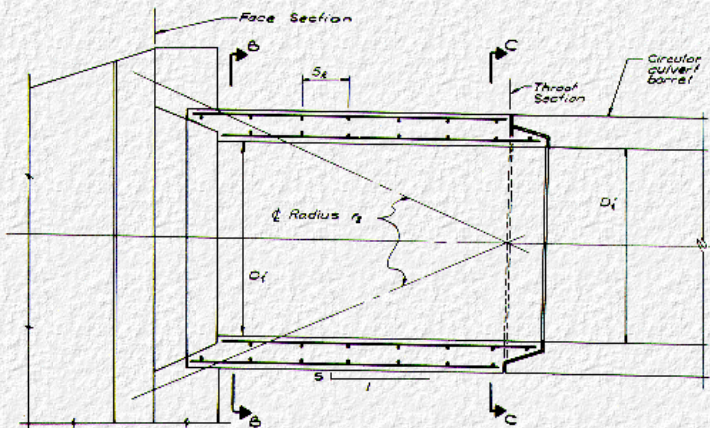
TYPICAL PLAN



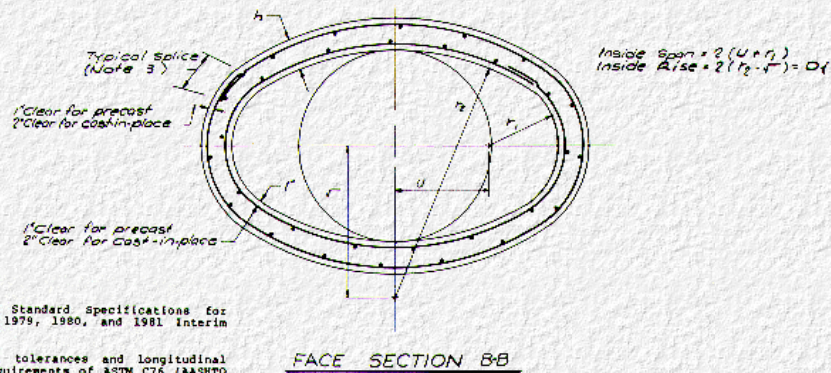
TYPICAL SECTION C-C



ALTERNATE REINFORCING LAYOUT (NOTE 5)  
Applies to both circular and elliptical sections.



SECTION A-A



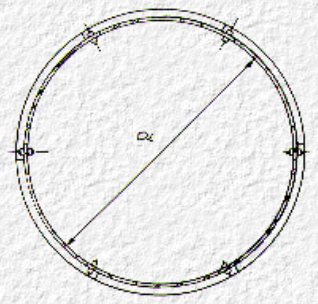
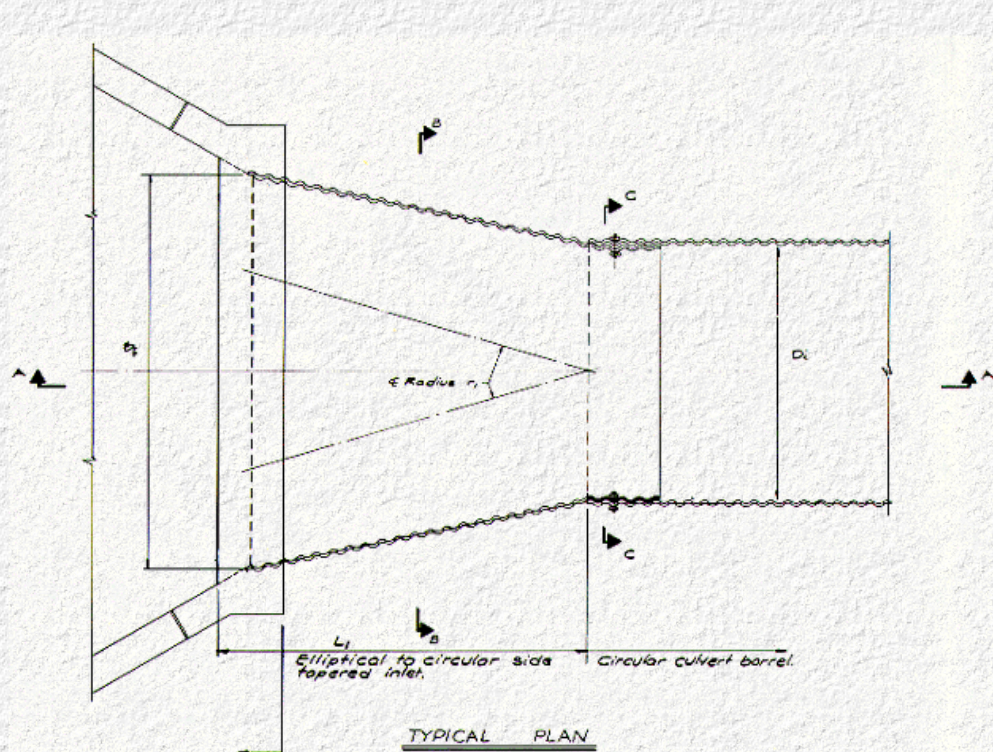
FACE SECTION B-B

**NOTES:**

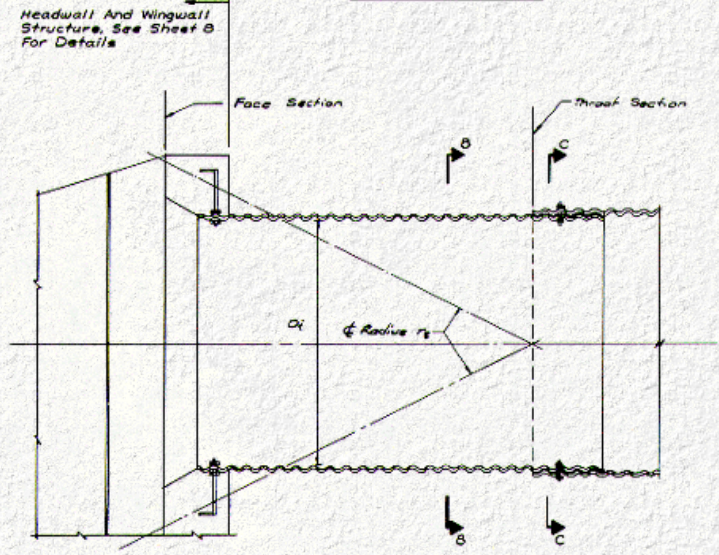
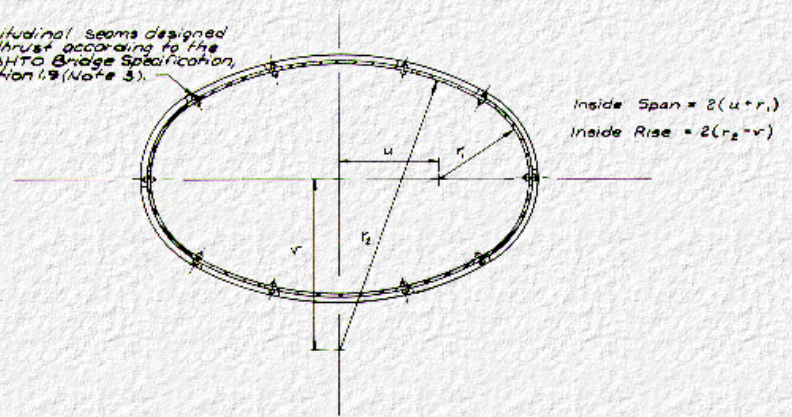
1. Design Specifications: AASHTO Standard Specifications for Highway Bridges, 1977 and 1978, 1979, 1980, and 1981 Interim Specifications.
2. Material properties, dimensional tolerances and longitudinal reinforcing to conform to the requirements of ASTM C76 (AASHTO M170).
3. For splices in welded smooth wire fabric, the length of overlap, measured from the outermost cross wires of each fabric sheet shall not be less than one spacing of cross wire plus 2 in., nor less than 1.54, nor 6 in.  $A_d$  is determined according to AASHTO Section 1.5.20B as:  

$$s_d = \frac{0.27 A_w}{S_w} \frac{f_y}{\sqrt{f'_c}}$$
 See the AASHTO Bridge Specifications for splice requirements of other types of reinforcing.
4. Inside crown reinforcing area  $A_{sc}$  will be equal to inside invert reinforcing area  $A_{si}$  unless an alternate reinforcing scheme is used.
5. Alternate reinforcing scheme consists of overlapping the inside cage at the invert in order to provide the extra reinforcing normally required at that location. Other alternate reinforcing schemes may be used provided they meet the requirements of the AASHTO Bridge Specifications. Any pipe in which an alternate reinforcing scheme is used must have the top clearly marked to assure proper installation.

<b>U.S. DEPARTMENT OF TRANSPORTATION</b> <b>FEDERAL HIGHWAY ADMINISTRATION</b>  WASHINGTON, D. C.  Example Standard Plans For Improved Inlets		
<b>TYPICAL REINFORCING LAYOUT</b> <b>SIDE TAPERED PIPE INLET</b> No Net Scale		
RECOMMENDED <i>John S. Chubb</i> Chief Engineer District Office	RECOMMENDED <i>John S. Chubb</i> Chief Engineer District Office	SHEET NO. <b>5</b>
RECOMMENDED <i>John S. Chubb</i> Chief Engineer District Office	APPROVED <i>David D. Chubb</i> Director, Office of Engineering	



Longitudinal seams designed for thrust according to the AASHTO Bridge Specification, Section 1.9 (Note 3).



**NOTES:**

1. Design Specifications: AASHTO Standard Specifications for Highway Bridges 1977, and 1978, 1979, 1980, and 1981 Interim Specifications.
2. Corrugated metal inlets are flexible culverts, and their performance is dependent on soil-structure interaction and soil stiffness. See AASHTO 1.9.1(G).
3. Seams may be bolted, as shown, riveted or spot welded provided they meet the strength requirements of the AASHTO Bridge Specification.

**U.S. DEPARTMENT OF TRANSPORTATION  
FEDERAL HIGHWAY ADMINISTRATION**

WASHINGTON, D.C.

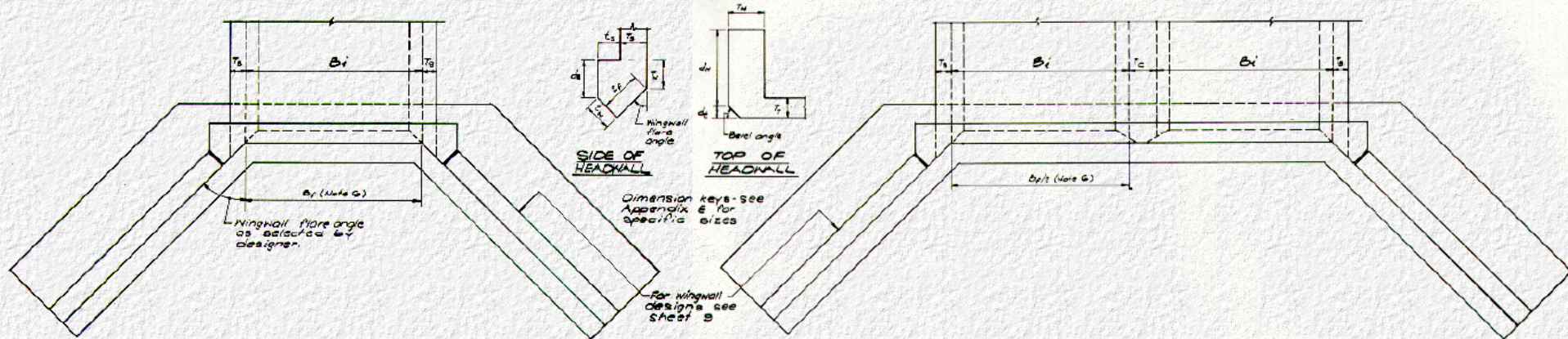
**Example Standard Plans For Improved Inlets**

---

**SIDE TAPERED CORRUGATED METAL INLET**

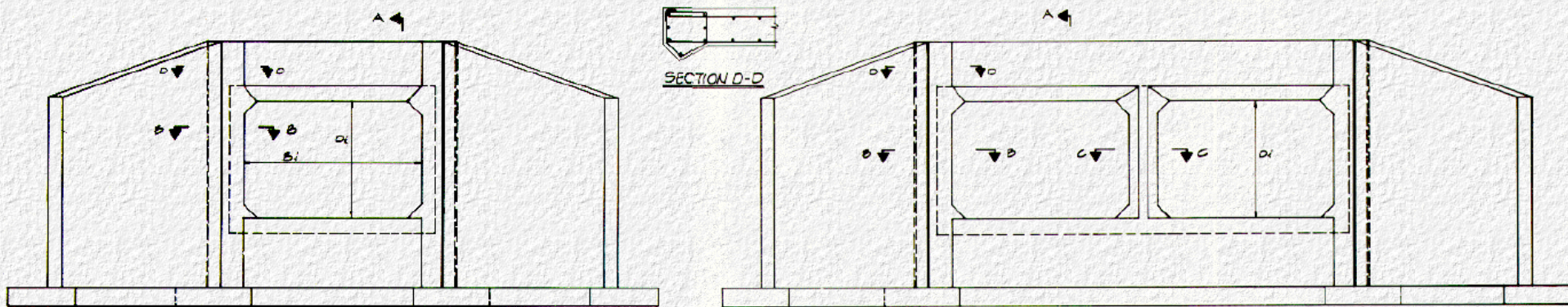
*Do Not Scale*

RECOMMENDED <i>John J. Ahlberg</i> Chief Design and Planning Engineer	RECOMMENDED <i>Bill Galt</i> Chief Bridge Section	SHEET NO. <b>6</b>
RECOMMENDED <i>Bill Wilson</i> Chief Hydraulic Branch	APPROVED <i>David E. Challenor</i> Director, Office of Engineering	



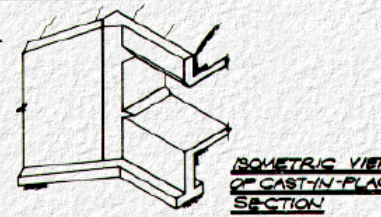
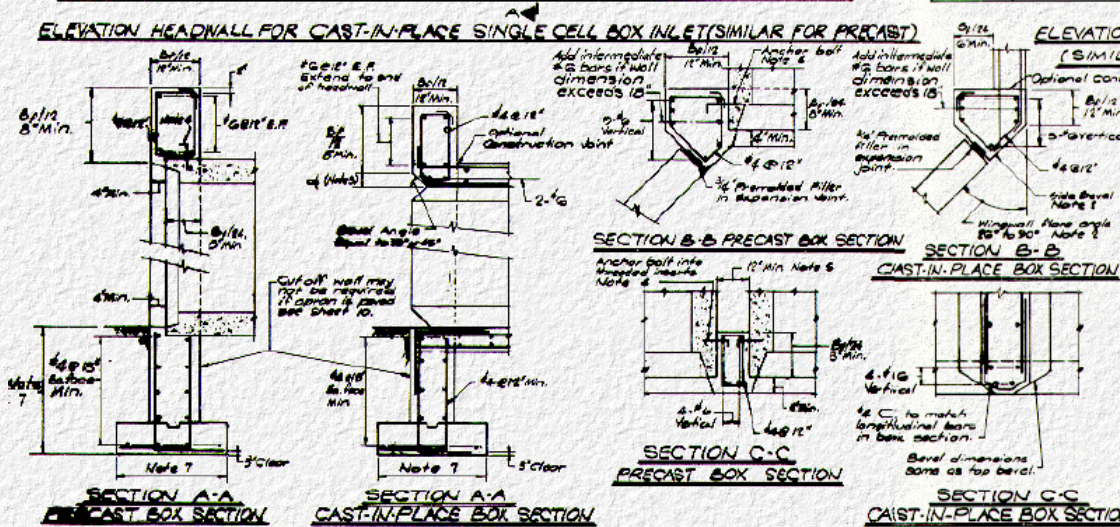
PLAN HEADWALL FOR CAST-IN-PLACE SINGLE CELL BOX INLET (SIMILAR FOR PRECAST)

PLAN HEADWALL FOR CAST-IN-PLACE TWO CELL BOX INLETS (SIMILAR FOR PRECAST)



ELEVATION HEADWALL FOR CAST-IN-PLACE SINGLE CELL BOX INLET (SIMILAR FOR PRECAST)

ELEVATION HEADWALL FOR CAST-IN-PLACE TWO CELL BOX INLET (SIMILAR FOR PRECAST)



ISOMETRIC VIEW OF CAST-IN-PLACE BOX SECTION

- NOTES:
1. Design Specifications: AASHTO Standard Specifications for Highway Bridges, 1977 plus 1978, 1979, 1980 and 1981 Interim Specifications.
  2. For wingwall flare angles greater than 45°, a bevel with the same dimensions as the top bevel must be used at the sides.
  3. Bevel dimension  $d_1 = 0.5 B_1/12$  for 45° bevel angle and  $d_2 = B_1/12$  for 33° bevel angle.
  4. Anchor bolts, 10 in. long and 3/4 in. diameter into threaded inserts must have working shear capacity of 4000 lbs.
  5. The space between two cell precast box sections must either be filled with concrete or with soil compacted to a minimum 95% of standard density based on AASHTO T-99.
  6. The term  $B_1$  refers to the face width of an inlet. This term is applicable to side and slope tapered inlets which are not shown here. For two cell box sections,  $B_1/2$  should be substituted for  $B_1$  in all dimensions.
  7. Local site conditions must be evaluated to determine foundation and cutoff wall requirements. Particular attention should be paid to erosion around the entrance and to depth of frost penetration.
  8. See notes on sheet 9 for reinforcing and concrete requirements.
  9. Except as noted minimum concrete cover shall be 2 in. over primary reinforcing and 1-1/2 in. over stirrups and ties.

**U.S. DEPARTMENT OF TRANSPORTATION  
FEDERAL HIGHWAY ADMINISTRATION**

WASHINGTON, D.C.

**Example Standard Plans For Improved Inlets**

---

**HEADWALL DETAILS FOR BOX INLETS**

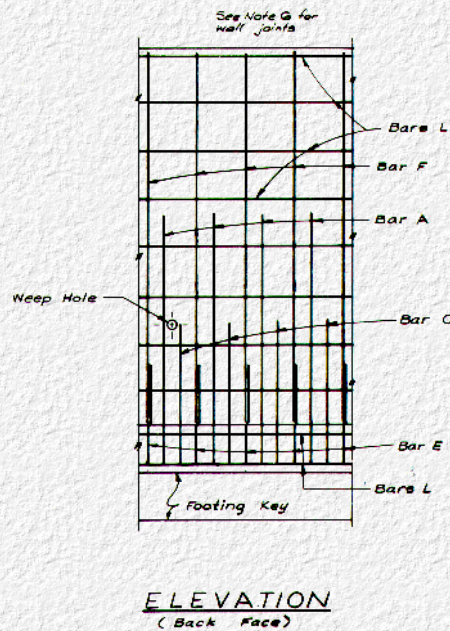
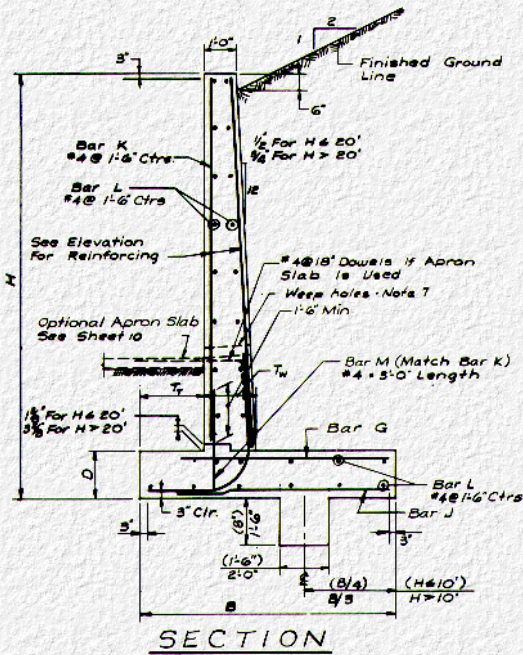
Do Not Scale

RECOMMENDED <i>[Signature]</i> Chief Design Engineering Branch	RECOMMENDED <i>[Signature]</i> Chief Bridge Division	<b>SHEET 7</b>
RECOMMENDED <i>[Signature]</i> Chief Hydraulic Branch	APPROVED <i>[Signature]</i> Inspector, Office of Engineering	

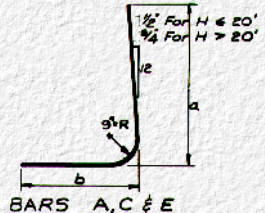




WALL DIMENSIONS					REINFORCING STEEL SCHEDULE															QUANTITIES			MAXIMUM BEARING PRESSURE	H									
H	B	T <sub>r</sub>	T <sub>w</sub>	D	Bar A					Bar C					Bar E					Bar F					Bar G			Bar J			Bar K	Concrete	Reinf Steel
#					Size	Spacing	a	b	Length	Size	Spacing	a	b	Length	Size	Spacing	a	b	Length	Size	Spacing	Length	Size	Spacing	Length	Size	Spacing	Length	Length	Cu. Yds	# Lbs	Kip/30 Ft.	
6	4'-0"	0'-9"	1'-2 1/2"	1'-3"	4	1'-6"	5'-7"	1'-7"	6'-10"											4	1'-6"	3'-7"	4	1'-6"	3'-7"	4'-5"	0.416	20.2	1.01	6			
7	4'-8"	0'-10"	1'-3"	1'-3"	4	1'-6"	6'-7"	1'-9"	8'-0"											4	1'-6"	4'-1"	4	1'-6"	4'-1"	5'-5"	0.492	23.0	1.22	7			
8	5'-4"	1'-0"	1'-3 1/2"	1'-3"	4	1'-6"	7'-7"	1'-11"	9'-2"											4	1'-6"	4'-7"	4	1'-6"	4'-7"	6'-5"	0.569	26.4	1.39	8			
9	6'-0"	1'-1"	1'-4"	1'-3"	4	1'-6"	8'-7"	2'-1"	10'-4"											4	1'-6"	5'-1"	4	1'-6"	5'-1"	7'-5"	0.646	29.2	1.60	9			
10	6'-7"	1'-3"	1'-4 1/2"	1'-3"	4	1'-1 1/2"	9'-7"	2'-3"	11'-6"											4	1'-1 1/2"	5'-6"	4	1'-1 1/2"	5'-6"	8'-5"	0.723	33.9	1.76	10			
11	7'-4"	1'-5"	1'-4 1/2"	1'-6"	4	1'-8 1/2"	10'-7"	2'-6"	12'-9"	4	1'-8 1/2"	5'-0"	2'-6"	7'-2"						4	0'-10 1/2"	6'-1"	4	1'-8 1/2"	6'-1"	9'-2"	0.905	37.0	1.95	11			
12	8'-0"	1'-6"	1'-5 1/2"	1'-6"	4	1'-5 1/2"	11'-7"	2'-7"	13'-8"	5	1'-5 1/2"	5'-6"	2'-7"	7'-9"						4	0'-7 3/4"	6'-11"	4	1'-3 1/2"	6'-7"	10'-2"	0.993	47.7	2.16	12			
13	8'-8"	1'-8"	1'-5 1/2"	1'-6"	5	1'-6"	12'-7"	2'-10"	15-1"	5	1'-6"	5'-7"	2'-10"	8'-1"						5	0'-9"	7'-4"	4	1'-6"	7'-1"	11'-2"	1.084	55.2	2.92	13			
14	9'-2"	1'-9"	1'-6 1/2"	1'-6"	6	1'-8 1/2"	13'-7"	2'-11"	16'-2"	6	1'-8 1/2"	6'-4"	2'-11"	8'-11"						5	0'-10 1/4"	7'-9"	4	1'-8 1/2"	7'-5"	12'-2"	1.167	61.7	2.58	14			
15	9'-11"	1'-11"	1'-6 1/2"	1'-6"	6	1'-8"	14'-7"	3'-2"	17'-5"	6	1'-8"	6'-7"	3'-2"	9'-5"						6	0'-8 3/4"	8'-7"	4	1'-5"	8'-0"	13'-2"	1.266	79.9	2.72	15			
16	10'-7"	2'-1"	1'-7 1/2"	1'-6"	6	1'-9"	15'-4"	3'-4"	11'-4"	6	1'-9"	5'-6"	3'-4"	8'-6"	6	1'-9"	5'-6"	3'-4"	5'-11"	6	1'-9"	14'-4"	6	0'-7"	9'-1"	4	1'-9"	8'-9"	14'-2"	1.361	92.0	2.89	16
17	11'-3"	2'-3"	1'-7 1/2"	1'-6"	7	1'-11 1/4"	16'-0"	3'-7"	12'-3"	7	1'-11 1/4"	5'-11"	3'-7"	9'-2"	7	1'-11 1/4"	3'-10"	3'-7"	6'-9"	7	1'-11 1/4"	15'-4"	6	0'-7 3/4"	9'-6"	4	1'-11 1/4"	9'-3"	15'-2"	1.459	104.4	3.04	17
18	11'-10"	2'-4"	1'-8 1/2"	1'-6"	7	1'-9"	16'-6"	3'-8"	12'-10"	7	1'-9"	6'-4"	3'-8"	9'-9"	7	1'-9"	3'-10"	3'-8"	6'-10"	7	1'-9"	16'-4"	6	0'-7"	10'-5"	4	1'-9"	9'-7"	16'-2"	1.559	127.9	3.28	18
19	12'-7"	2'-6"	1'-8 1/2"	1'-9"	7	1'-6"	18'-0"	3'-11"	13'-7"	7	1'-6"	6'-9"	3'-11"	10'-4"	7	1'-6"	6'-1"	3'-11"	7'-4"	7	1'-6"	17'-1"	7	0'-6"	10'-11"	4	1'-6"	10'-2"	16'-11"	1.758	131.7	3.45	19
20	13'-3"	2'-8"	1'-9 1/2"	1'-9"	8	1'-9"	19'-8"	4'-2"	14'-6"	8	1'-9"	6'-11"	4'-2"	10'-9"	8	1'-9"	4'-6"	4'-2"	8'-4"	8	1'-9"	18'-1"	7	0'-7"	11'-4"	4	1'-9"	10'-6"	17'-11"	1.866	160.3	3.68	20
21	13'-11"	2'-10"	2'-2 1/2"	2'-0"	8	1'-9 1/2"	11'-2"	4'-9"	15'-7"	8	1'-9 1/2"	7'-3"	4'-9"	11'-8"	8	1'-9 1/2"	4'-9"	4'-9"	9'-2"	8	1'-9 1/2"	18'-10"	7	0'-7 1/2"	11'-6"	4	1'-9 1/2"	10'-8"	18'-6"	2.227	162.4	3.82	21
22	14'-6"	3'-0"	2'-3"	2'-0"	8	1'-7 1/2"	11'-10"	4'-11"	16'-5"	8	1'-7 1/2"	7'-5"	4'-11"	12'-3"	8	1'-7 1/2"	4'-9"	4'-11"	9'-4"	8	1'-7 1/2"	19'-10"	7	0'-6 1/2"	11'-10"	4	1'-7 1/2"	11'-0"	19'-6"	2.352	186.5	4.00	22
23	15'-3"	3'-0"	2'-3 1/2"	2'-0"	9	1'-9 1/4"	12'-5"	5'-0"	17'-1"	9	1'-9 1/4"	8'-1"	5'-0"	12'-9"	9	1'-9 1/4"	5'-7"	5'-0"	10'-3"	9	1'-9 1/4"	20'-10"	8	0'-7 1/4"	12'-10"	4	1'-9 1/4"	11'-9"	20'-6"	2.482	217.0	4.25	23
24	15'-11"	3'-3"	2'-4 1/2"	2'-3"	9	1'-9"	13'-5"	5'-4"	18'-3"	9	1'-9"	8'-8"	5'-4"	13'-8"	9	1'-9"	5'-10"	5'-4"	10'-10"	9	1'-9"	21'-7"	8	0'-7"	13'-3"	4	1'-9"	12'-1"	21'-3"	2.754	233.4	4.40	24
25	16'-7"	3'-5"	2'-5"	2'-3"	10	1'-11 1/4"	14'-0"	5'-5"	19'-1"	10	1'-11 1/4"	9'-3"	5'-5"	14'-4"	10	1'-11 1/4"	6'-10"	5'-5"	11'-11"	10	1'-11 1/4"	22'-7"	9	0'-7 3/4"	14'-3"	4	1'-11 1/4"	12'-5"	22'-3"	2.898	278.2	4.67	25
26	17'-2"	3'-6"	2'-5 1/2"	2'-6"	10	1'-9 1/2"	14'-7"	5'-8"	19'-11"	10	1'-9 1/2"	9'-8"	5'-8"	15'-0"	10	1'-9 1/2"	7'-1"	5'-8"	12'-5"	10	1'-9 1/2"	23'-4"	9	0'-7 1/4"	14'-6"	4	1'-9 1/2"	15'-0"	23'-0"	3.173	300.8	4.82	26
27	17'-11"	3'-6"	2'-6 1/2"	2'-6"	10	1'-7 1/2"	15'-0"	5'-9"	20'-5"	10	1'-7 1/2"	9'-11"	5'-9"	15'-4"	10	1'-7 1/2"	7'-1"	5'-9"	12'-6"	10	1'-7 1/2"	24'-4"	9	0'-6 1/2"	15'-3"	4	1'-7 1/2"	15'-8"	24'-0"	3.335	344.0	5.08	27
28	18'-7"	3'-9"	2'-7"	2'-9"	10	1'-6"	15'-5"	6'-1"	21'-2"	10	1'-6"	10'-2"	6'-1"	15'-11"	10	1'-6"	7'-4"	6'-1"	13'-1"	10	1'-6"	25'-1"	9	0'-6"	15'-7"	4	1'-6"	14'-0"	24'-9"	3.640	379.6	5.21	28
29	19'-3"	3'-9"	2'-7 1/2"	2'-9"	11	1'-9"	16'-5"	6'-2"	22'-3"	11	1'-9"	11'-0"	6'-2"	16'-10"	11	1'-9"	8'-5"	6'-2"	14'-3"	11	1'-9"	26'-1"	10	0'-7"	16'-8"	4	1'-9"	14'-8"	25'-9"	3.805	421.0	5.49	29
30	19'-10"	4'-0"	2-8 1/2"	3'-0"	11	1'-6 1/2"	16'-11"	6'-5"	23'-0"	11	1'-6 1/2"	11'-2"	6'-5"	17'-3"	11	1'-6 1/2"	8'-8"	6'-5"	14'-9"	11	1'-6 1/2"	26'-10"	10	0'-6 1/2"	16'-11"	4	1'-6 1/2"	14'-11"	26'-6"	4.122	477.0	5.88	30



- NOTES**
- The design presented here are based on the Federal Highway Administration Publication "Reinforced Concrete Retaining Walls," September 1967. Wing walls may be designed as retaining walls according to current AASHTO working stress or ultimate strength procedures.
  - DESIGN DATA:**  $n = 10$ ,  $f_c = 1200$  psi,  $f_s = 24000$  psi Weight of wall = 120 pcf. Weight of concrete = 150 pcf; Angle of Internal Friction =  $33^\circ 41'$ ; Earth pressures determined from Rankine's formula.  
**For Sliding:** The coefficient of friction between masonry and soil is taken as 0.45. A safety factor of 1.5 is provided against sliding.  
**For Overturning:** A minimum safety factor of 2 is provided against overturning. Resultant of the loads is at or within the middle third of the footing.
  - CONCRETE:** All concrete shall be Class AAED with a minimum 28 day compressive strength  $f_c = 3,000$  psi. The air entraining agent shall meet with the approval of the engineer. All exposed edges of walls shall be chamfered  $3/8$  in. except as noted.
  - REINFORCING STEEL:** Reinforcing steel shall be deformed bars conforming to ASTM A615. Dimensions relating to spacing of reinforcing steel are from center to center of bars. Bending dimensions are from out to out of the bars. Minimum cover for reinforcing bars shall be 2 in. clear unless shown otherwise. Bars A and C are canted 35 for diameters beyond point of theoretical cut-off.
  - FOUNDATION PRESSURE:** When the maximum bearing pressure shown in the tables exceed the allowable bearing pressure of the soil at the site, a pile footing may be used, or the width of footing may be modified to reduce the maximum bearing pressure.
  - WALL JOINTS:** Expansion joints of a maximum spacing of 30 ft. and contraction joints of a maximum spacing of 30 ft. shall be provided in the walls. If ruckation grooves are used, the joints shall be spaced to correspond with ruckations.
  - WEEP HOLES:** Weep holes shall be provided at a spacing not to exceed 15 ft. Suitable underdrains located at the back of the stem and connected to an outlet pipe may be used in lieu of weep holes.
  - BACKFILL:** The wall shall be backfilled with a well graded, free draining material.
  - FOUNDATIONS ON ROCK:** Footings placed on non-yielding material may be permitted to have the resultant of the loads fall within the middle half. The design of these footings are beyond the scope of this project.
  - ALTERNATE DESIGN:** The apron slab may be cast integrally with the retaining wall and the foundation omitted. This combination of wing walls and apron slab requires a separate analysis and reinforcing layout and is beyond the scope of this project.



Note: The reinforcing schedules shown are only for the corresponding wall dimensions listed. If footing dimensions are varied to obtain a more desirable soil pressure, a corresponding change must be made in the footing design to adjust reinforcing.

**U.S. DEPARTMENT OF TRANSPORTATION  
FEDERAL HIGHWAY ADMINISTRATION**

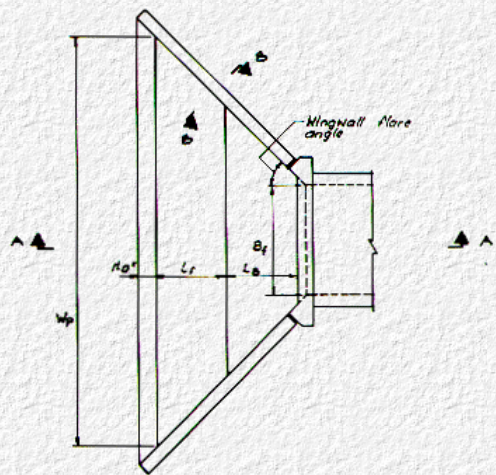
WASHINGTON, D.C.

**Example Standard Plans For Improved Inlets**

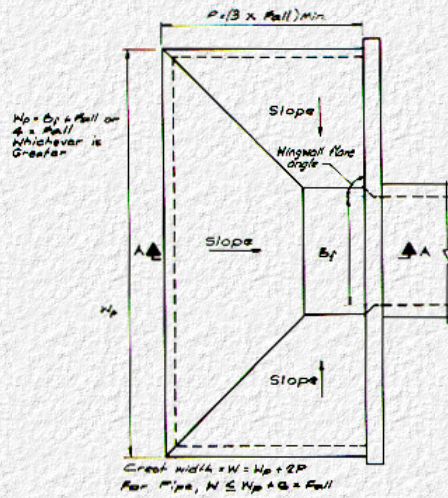
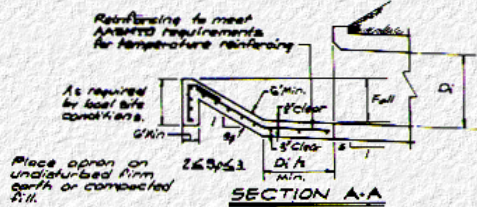
**CANTILEVER WINGWALL DESIGNS**

Do Not Scale

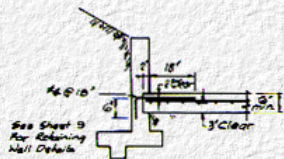
RECOMMENDED Chief Design and Section Branch	RECOMMENDED Chief Bridge Division	SHEET NO. <b>9</b>
RECOMMENDED Chief Hydraulics Branch	APPROVED District Office of Engineering	



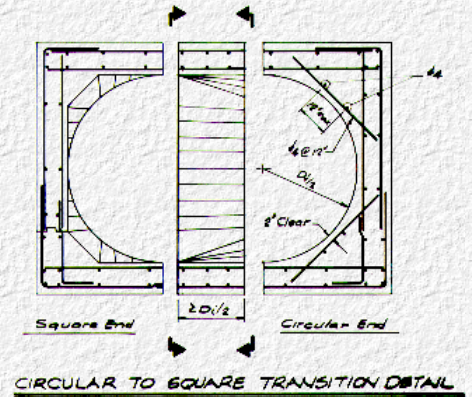
**APRON WITH WINGWALLS  $\leq 60^\circ$**



**APRON WITH WINGWALLS AT  $60^\circ$  to  $90^\circ$**

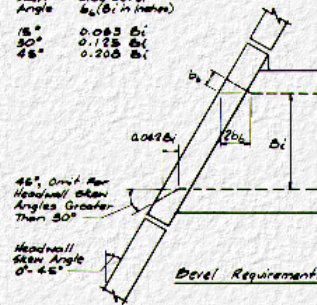


**SECTION B-B**

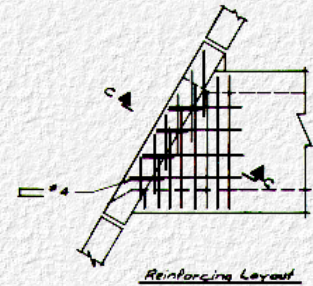


**CIRCULAR TO SQUARE TRANSITION DETAIL**

Slope Angle	Side Bavel $b_s$ (ft. in inches)
15°	0.083 $b_c$
30°	0.125 $b_c$
45°	0.208 $b_c$

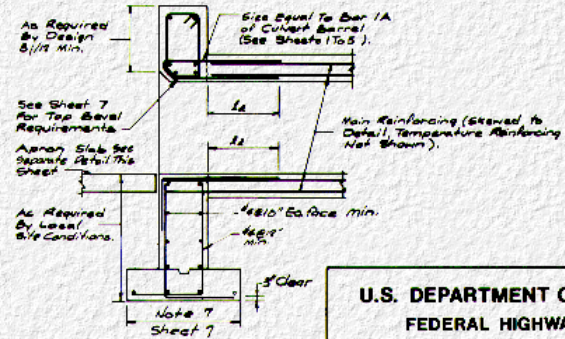


**Devel Requirements**



**Reinforcing Layout**

**SKewed HEADWALL DETAILS**



**SECTION C-C**

**U.S. DEPARTMENT OF TRANSPORTATION  
FEDERAL HIGHWAY ADMINISTRATION**

WASHINGTON, D.C.

Example Standard Plans For Improved Inlets

**MISCELLANEOUS IMPROVED  
INLET DETAILS**  
Do Not Scale

RECOMMENDED *John J. Chubb*  
Chief Design and Research Branch

RECOMMENDED *John J. Chubb*  
Chief Design Branch  
APPROVED *David W. Chubb*  
Director, Office of Engineering

SHEET NO.  
**10**

# List of Tables for FHWA-IP-83-6-Structural Design Manual for Improved Inlets and Culverts

---

 [Back to Table of Contents](#) 

-  [Table 3-1. Design Forces in Single Cell Box Culverts](#)
-  [Table 3-2. Design Force in Two Cell Box Culverts](#)
-  [Table 4-1. Strength Reduction Factors in Current AASHTO Standard Specifications for Highway Bridges](#)
-  [Table A-1. Minimum Requirements for Long Span Structures with Acceptable Special Features](#)
-  [Table A-2.23.3 Categories of Pipe Joints](#)
-  [Table B-1. Format for Data Input, Boxcar](#)
-  [Table B-2. Sample Output from Box Culvert Design Program](#)
-  [Table B-3. Map of BDATA Array](#)
-  [Table B-4. Map of SDATA Array](#)
-  [Table B-5. Description of Governing Mode Output Notes](#)
-  [Table C-1. Format for Data Input](#)
-  [Table C-2. Sample Output from Pipe Culvert Design Program](#)
-  [Table C-3. Map of BDATA Array](#)
-  [Table C-4. Description of Governing Mode Output Notes](#)

 [Back to Table of Contents](#) 



# List of Equations for FHWA-IP-83-6-Structural Design Manual for Improved Inlets and Culverts



[Back to Table of Contents](#)



[Equation 2.1](#)



[Equation 2.2](#)



[Equation 2.3](#)



[Equation 2.4](#)



[Equation 2.5](#)



[Equation 2.6](#)



[Equation 2.7a](#)



[Equation 2.7b](#)



[Equation 2.8](#)



[Equation 2.9a](#)



[Equation 2.9b](#)



[Equation 2.10](#)



[Equation 2.11](#)



[Equation 3.1](#)



[Equation 3.2](#)



[Equation 3.3](#)



[Equation 3.4](#)



[Equation 3.5](#)



[Equation 3.6](#)



[Equation 3.7](#)



[Equation 3.8](#)



[Equation 3.9](#)



[Equation 3.10](#)




[Equation 3.11](#)





[Equation 3.12](#)





[Equation 3.13](#)


 [Equation 3.14](#)


 [Equation 3.15](#)


 [Equation 3.16](#)


 [Equation 3.17](#)


 [Equation 3.18](#)


 [Equation 3.19](#)


 [Equation 3.20](#)


 [Equation 3.21](#)


 [Equation 3.22](#)


 [Equation 3.23](#)


 [Equation 3.24](#)


 [Equation 3.25a](#)

 [Equation 3.26a](#)


 [Equation 3.25b](#)

 [Equation 3.26b](#)


 [Equation 3.27](#)


 [Equation 3.28](#)

 [Equation 3.29](#)

 [Equation 3.30](#)

 [Equation 3.31](#)


 [Equation 3.32a](#)


 [Equation 3.32b](#)


 [Equation 3.33](#)


 [Equation 3.34](#)


 [Equation 3.35](#)































 [Equation 4.1](#)


 [Equation 4.2](#)


 [Equation 4.3](#)


 [Equation 4.4](#)


 [Equation 4.5](#)


-  [Equation 4.6](#)
-  [Equation 4.7](#)
-  [Equation 4.8](#)
-  [Equation 4.9](#)
-  [Equation 4.10](#)
-  [Equation 4.11](#)
-  [Equation 4.12](#)
-  [Equation 4.13](#)
-  [Equation 4.14](#)
-  [Equation 4.15](#)
-  [Equation 4.16](#)
-  [Equation 4.17](#)
-  [Equation 4.18](#)
-  [Equation 4.19](#)
-  [Equation 4.20](#)
-  [Equation 4.21](#)
-  [Equation 4.22](#)
-  [Equation 4.23](#)
-  [Equation 4.24](#)
-  [Equation 4.25](#)
-  [Equation 4.26](#)
-  [Equation 4.27](#)
-  [Equation 4.28](#)
-  [Equation 4.27b](#)
-  [Equation 4.27c](#)
-  [Equation 4.28](#)
-  [Equation 4.29](#)
-  [Equation 4.30](#)
-  [Equation 4.31a](#)
-  [Equation 4.31b](#)


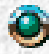
 [Equation 4.32](#)

 [Equation 4.33](#)

 [Equation 4.34](#)

 [Equation 4.35](#)

 [Equation 5.1](#)

 [Back to Table of Contents](#) 



[Go to Table of Contents](#)

<b>1. Report No.</b> FHWA-IP-83-6	<b>2. Government Accession No.</b>	<b>3. Recipient's Catalog No.</b>
<b>4. Title and Subtitle</b> Structural Design Manual for Improved Inlets and Culverts	<b>5. Report Date</b> June 1983	
	<b>6. Performing Organization Report No.</b>	
<b>7. Author(s)</b> Timothy J. McGrath and Frank J. Heger	<b>8. Performing Organization Report No.</b>	
<b>9. Performing Organization Name and Address</b> Simpson Gumpertz and Heger, Inc. 1696 Massachusetts Avenue Cambridge, Massachusetts 02138	<b>10. Work Unit No. (TRAIS)</b> 35H3-143	
	<b>11. Contract or Grant No.</b> DOT-FH-11-9692	
<b>12. Sponsoring Agency Name and Address</b> Office of Implementation, HRT-10 Federal Highway Administration 6300 Georgetown Pike McLean, Virginia 22101	<b>13. Type of Report and Period Covered</b> 11/79 - 9/82	
	<b>14. Sponsoring Agency Code</b>	
<b>15. Supplementary Notes</b> FHWA Co-COTR:  Robert Wood, HRT-10 Philip Thompson, HNG-31 Claude Napier, HNG-32		
<b>16. Abstract</b> <p>This manual provides structural design methods for culverts and for improved inlets. Manual methods for structural analysis are included with a complete design procedure and example problems for both circular and box culverts. These manual methods are supplemented by computer programs which are contained in the Appendices. Example standard plans have been prepared for headwalls, wingwalls, side tapered, and slope tapered culverts for both single and two cell inlets. Tables of example designs are provided for each standard plan to illustrate a range of design parameters.</p>		
<b>17. Key Words</b> Culverts, Improved Inlets, Structural Design, Computer Program	<b>18. Distribution Statement</b> No restrictions. This document is available to the public through the National Technical Information Service, Springfield, Virginia, 22161.	

<b>19. Security Classif. (of this report)</b>	<b>20. Security Classif. (of this page)</b>	<b>21. No. of Pages</b>	<b>22. Price</b>
Unclassified	Unclassified	338	

[Go to Table of Contents](#)

## Symbols:

$F_c$	factor for effect of curvature on shear strength in curved sections
$F_{cr}$	factor for adjusting crack control relative to average maximum crack width of 0.01 in. when $F_{cr} = 1.0$
$F_d$	factor for crack depth effect resulting in increase in diagonal tension (shear) strength with decreasing $d$ .
$F_e$	soil-structure interaction factor that relates actual load on culvert to weight of column of earth directly over culvert
$F_N$	coefficient for effect of thrust on shear strength
$F_{rp}$	coefficient for effect of local materials and manufacturing process on radial tension strength of concrete in precast concrete pipe
$F_{vp}$	coefficient for effect of local materials and manufacturing process on the diagonal tension strength of concrete in precast concrete pipe
$F_1, F_2 \dots$	coefficients used in hand analysis of two cell box culverts
$f'_c$	design compressive strength of concrete, lbs/in. <sup>2</sup>
$f_v$	design ultimate stress in stirrup, lbs/in. <sup>2</sup> ; may be governed by maximum anchorage force that can be developed between stirrup and each inner reinforcement wire or bar, or by yield strength $f_y$ , whichever is less
$f_y$	specified tensile yield strength of reinforcement, lbs/in. <sup>2</sup>
$G_1, G_2 \dots$	coefficients used in hand analysis of one cell box culverts
$g, g'$	factor in equations for area of reinforcement for ultimate flexure
$H_e$	height of fill over top of buried culvert, ft

$H'_e$  height of fill over horizontal centerline of buried culvert, ft

- vii -

$H_H$	horizontal haunch dimension, in.
$H_V$	vertical haunch dimension, in.
$h$	overall thickness of member (wall thickness), in.
$i$	coefficient for effect of axial force at service load stress
$j$	coefficient for moment arm at service load stress
$K_I$	ratio of offset distances for elliptical pipe section ( $u/v$ )
$L_B$	horizontal distance from throat section to invert of bend section in a slope tapered inlet, ft (Figure I-3)
$L_f$	load factor used to multiply calculated design forces under service conditions to get ultimate forces
$L_1$	overall length of improved inlet, ft (Figures I-1 and I-3)
$L_2$	length of fall section of slope tapered inlet, ft (Figure I-3)
$L_3$	length of bend section of slope tapered inlet, ft (Figure I-3)
$\ell$	span length used in the determination of the critical shear location for uniformly distributed loads, in.
$\ell_d$	development length of reinforcing bar, in.
$M$	moment acting on cross section of width $b$ , service load conditions, in.-lbs (taken as absolute value in design equations, always +)
$M_b$	moment in bottom slab of box section acting on section of width $b$ , service load conditions, in.-lbs

$M_c$ maximum midspan moment acting on cross section of width  $b$ , in.-lbs

- viii -

$M_o$	moment at corner of box section acting on section of width $b$ , service load conditions, in.-lbs
$M_s$	moment in side wall of box section acting on section of width $b$ , service load conditions, in.-lbs
$M_u$	ultimate moment acting on cross section of width $b$ , in.-lbs
$N$	axial thrust acting on cross section of width $b$ , service load condition (+ when compressive, - when tensile), lbs
$N_t, N_s, N_b$	axial thrust acting on cross section of width $b$ , of top, side or bottom slab, respectively, service load condition (+ when compressive, - when tensile), lbs
$N_u$	ultimate axial thrust acting on cross section of width $b$ , lbs
$n$	number of layers of reinforcement in a cage (1 or 2)
$p$	ratio of area of tension reinforcement to area of concrete section, Eq. 4.25
$p_b$	soil pressure at bottom of pipe or box section that reacts soil, fluid, and dead load, lbs/in./section width $b$
$p_f$	fluid pressure acting on inside of pipe, lb/in./section width $b$
$p_l$	soil pressure at invert of pipe section, lb/in./section width $b$
$p_o$	soil pressure at crown of pipe section, lb/in./section width $b$
$p_s$	lateral soil pressure on box section, lbs/in./section width $b$
$p_t$	soil pressure at top of pipe or box section, lb/in./section width $b$

$p_v$	vertical pressure applied to box section, lb/in./section width $b$
$r_m$	radius to centerline of pipe wall, in.

- ix -

$r_s$	radius to inside reinforcement, in.
$r_1$	radius to inside of side section of elliptical pipe, in. (Figure 1-2)
$r_2$	radius to inside top and bottom section of elliptical pipe, in. (Figure 1-2)
$S$	slope of culvert barrel, ft/ft
$S_{df}$	stirrup design factor used in Equation 4.34 lb/in./section width $b$
$S_f$	slope of fall, ft/ft
$S_o$	slope of natural channel, ft/ft
$s$	circumferential spacing of shear or radial tension stirrup reinforcement, in.
$s_\ell$	spacing (longitudinal) of circumferential reinforcement, in.
$T$	taper of side wall of improved inlet (Figure 1-1)
$T_B, T_S, T_T$	thickness of bottom, side and top slabs of box culvert, respectively, in.
$T_c$	thickness of centerwall of two-span box section, in.
$t_b$	clear cover distance from tension face of reinforcing to tension face of concrete, in.
$u$	horizontal offset distance from center of elliptical pipe to center of rotation of radius $r_1$ , in. (Figure 1-2)
$V$	shear force acting on cross section of width $b$ , service load condition, lbs (taken as absolute value in design equations. always +)

- $V_b$  basic shear strength of cross-section of width  $b$ , where  $M/V\phi_v d < 3.0$ , lbs
- $V_c$  general shear strength of cross-section of width  $b$ , where  $M/V\phi_v d < 3.0$ , lbs

- x -

- $V_u$  ultimate shear force acting on cross section of width  $b$ , lbs
- $v$  vertical offset distance from center of elliptical pipe to center of rotation of radius  $r_2$ , in. (Figure 1-2)
- $W$  width of weir crest, ft
- $W_e$  total weight of earth on unit length of buried structure, lbs/ft
- $W_f$  total weight of fluid inside unit length of buried structure, lbs/ft
- $W_p$  weight of unit length of structure, lbs/ft
- $w$  uniformly distributed load used in the determination of the critical shear location, lbs/in./section width  $b$
- $x$  horizontal coordinate, in.
- $x_{dc}$  distance from point of maximum midspan moment to point where  $M/V\phi_v d = 3.0$ , in.
- $y$  vertical coordinate, in.
- $y_e$  vertical coordinate from top of box section (Figure 2-1), in.
- $z$  longitudinal coordinate, in.
- $Z_{mt}, Z_{mb}$  distance from bend point in top and bottom slab reinforcing, respectively, to point of zero moment, in.

$\alpha_{\max}, \alpha_{\min}$  ratio of lateral to vertical soil pressure on box culvert

$\beta$  AASHTO coefficient used to compute design loads

- xi -

$\beta_1$  angle over which earth load is applied to buried pipe, degrees

$\beta_2$  bedding angle over which soil support is provided to pipe to resist applied loads, degrees

$\gamma_c$  unit weight of concrete,  $\text{lb}/\text{ft}^3$

$\gamma_f$  unit weight of internal fluid,  $\text{lb}/\text{ft}^3$

$\gamma_s$  unit weight of soil,  $\text{lb}/\text{ft}^3$

$\theta$  angle from vertical to a design section, degrees; in circular pipe, this is the angle from the invert; in elliptical pipe, this is the angle from a vertical line through the center of rotation of  $r_1$  or  $r_2$

$\phi_f$  flexure strength reduction factor for variability in material strengths or manufacturing tolerances

$\phi_v$  shear strength reduction factor for variability in material strengths or manufacturing tolerances



Principles and Practice of the Method of Initial Semantics

Principles and Practice of the Method of Initial Semantics

# References

---

1. Harrison, L. J., Morris, J. L., Normonn, J. M., Johnson, F. L., "Hydraulic Design of Improved Inlets for Culverts," Hydraulic Engineering Circular No. 13, U. S. Department of Transportation, Federal Highway Administration, Washington, D. C., August 1972, Reprinted December 1978
2. Design Handbook - Concrete Pipe, American Concrete Pipe Association, Vienna, VA, 1980
3. "Design and Construction of Sanitary and Storm Sewers," WPCF MANUAL OF PRACTICE NO. 9, Water Pollution Control Federation, Washington, D. C. 1970
4. "Standard Specifications for Highway Bridges", American Association of State Highway and Transportation Officials, Twelfth Edition, 1977 (updated to 1981 via interim specifications)
5. Katona, M. G., Vittes, P. D., Lee, C. H., Ho, H. T., "CANDE - 1980, Box Culverts and Soils Models" Rough Draft, Prepared for Federal Highway Administration Office of Research and Development, August 1980
6. Duncan, J. M., "A Design Method for Metal Culvert Structures Based on Finite Element Analyses," Kaiser Aluminum Chemical Sales Inc.
7. Olander, H. C., "Stress Analysis of Concrete Pipe" Engineering Monograph No. 6, U.S.. Department of the Interior, Bureau of Reclamation, October 1950
8. Manual for Railway Engineering - Part 16 Reinforced Concrete Box Culverts, American Railway Engineering Association, Chicago, 111., 1980
9. Heger, F. J., McGrath, T. J., Design Method for Reinforced Concrete Pipe and Box Sections, Report prepared for the Technical Committee of the American Concrete Pipe Association, December 1980
10. Lambe, T. W., Whitman, R. V., Soil Mechanics, John Wiley & Sons, Inc., New York, 1969
11. Hough, B.K., Basic Soils Engineering, 2nd Ed. The Ronald Press Co., New York, 1969
12. Sowers, G. B., Sowers, G. F., Introductory Soils Mechanics and Foundations, 3rd Ed., Macmillan Publishing Co., Inc., New York, 1970
13. Typical Plans for Retaining Walls, Federal Highway Administration, Washington, D.C., September 1967