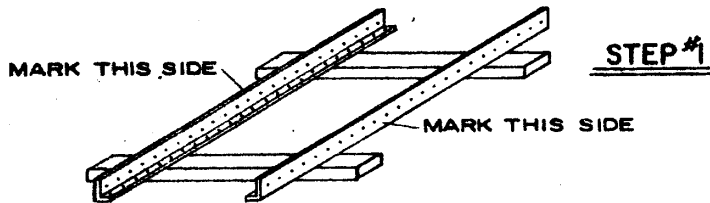


TYPE "A", CLOSED UNIT

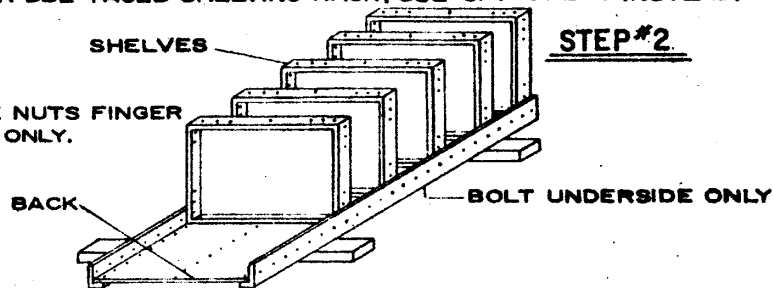
THE FOLLOWING ILLUSTRATIONS SHOW THE PROPER PROCEDURE FOR ERECTION OF THIS TYPE UNIT. BEFORE ERECTING, CAREFULLY CHECK MATERIALS RECEIVED, MAKING SURE ALL PARTS ARE AT HAND. MARK ON FLOOR (USE CHALK) THE POSITION WHERE EACH UNIT IS TO SET. IF POSSIBLE, ERECT THE UNIT DIRECTLY IN FRONT OF THE DESIRED POSITION. WHEN UNIT IS UPENDED IT WILL BE IN PERMANENT LOCATION.

FOUR UPRIGHTS ARE REQUIRED FOR EACH UNIT; TWO FOR THE FRONT, & TWO FOR THE REAR.

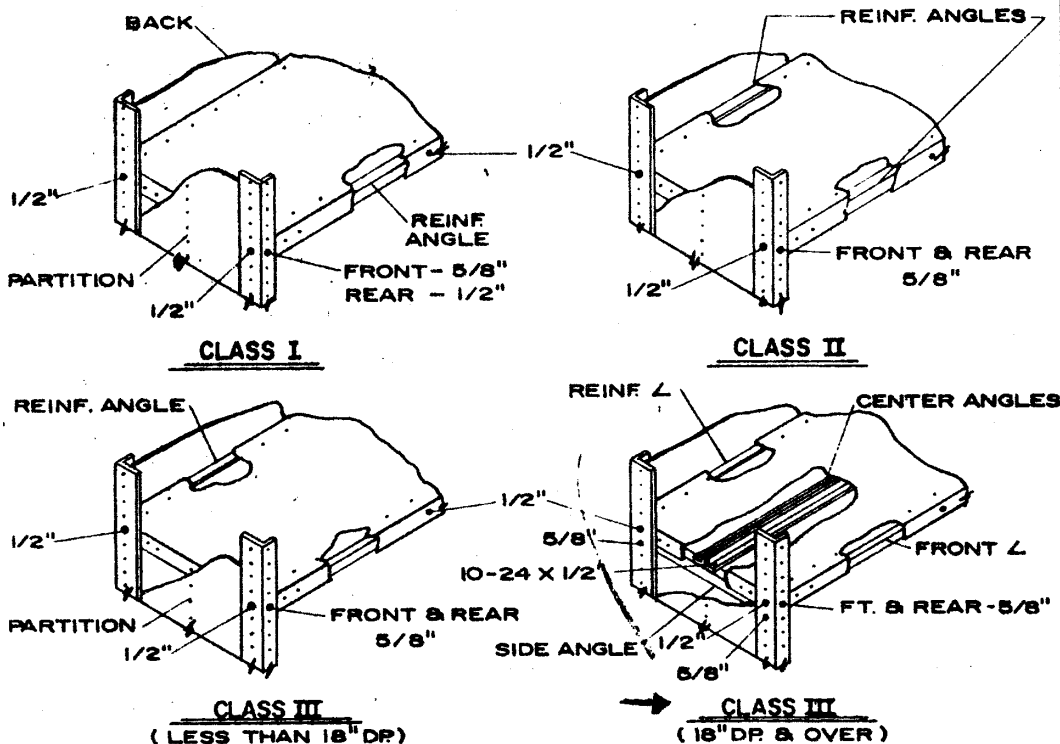


TO START ERECTING, PLACE NARROW SIDE OF THE REAR UPRIGHTS ON 2 X 4'S, AS SHOWN. MARK THE DESIRED LOCATION OF THE SHELVES ON THE UPRIGHTS WITH CHALK.

PLACE THE BACK PANEL ON THE UPRIGHTS & BOLT ALL SHELVES IN PLACE FROM UNDERSIDE OF UNIT ONLY. USE 1/2" SCREWS - CLASS I, & 5/8" FOR CLASS II & III. IF UNITS ARE TO BE BOLTED BACK TO BACK, FOR DBL-FACED SHELVING RACK, USE 3/4" SCREWS INSTEAD.



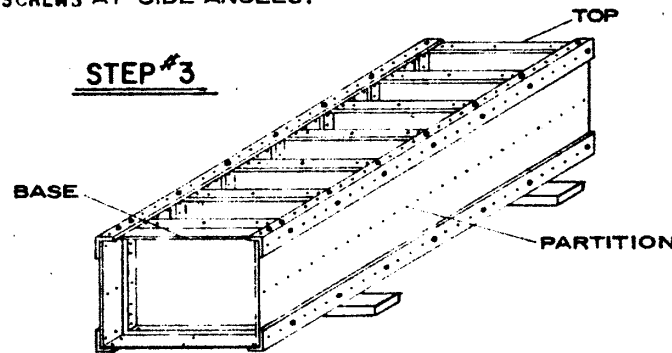
ASSEMBLY & BOLT PLACEMENT



PLACE THE PARTITIONS ON THE INSIDE OF THE UPRIGHTS & BOLT IN PLACE, USING 1/2" SCREWS ON THE LEFT SIDE & 3/4" ON THE RIGHT SIDE. 3/4" SCREWS ARE USED SO THAT UNITS CAN BE BOLTED TOGETHER TO FORM A RACK.

INSTALL THE FRONT UPRIGHTS AS SHOWN, USING 1/2" SCREWS ON THE LEFT SIDE & 3/4" ON THE RIGHT SIDE. USE 5/8" SCREWS TO SECURE SHELVES AT FRONT. (SEE ASSEMBLY DETAILS)

WHEN CLASS III RACKS (18" DP & OVER) ARE REQUIRED, USE 3/4" SCREWS TO SECURE UNITS TOGETHER AT SHELVES & 1" SCREWS AT SIDE ANGLES.



INSTRUCTIONS FOR ERECTION OF TYPE "A", STEEL STORAGE SHELVING - CLOSED UNIT

NOTE: REINFORCING ANGLES MUST BE INSTALLED ON SHELVES BEFORE BOLTING SHELVES TO UPRIGHTS. (A TEMPORARY BOLT AT CENTER OF THE SHELF WILL HOLD ANGLE IN PLACE DURING ASSEMBLY)