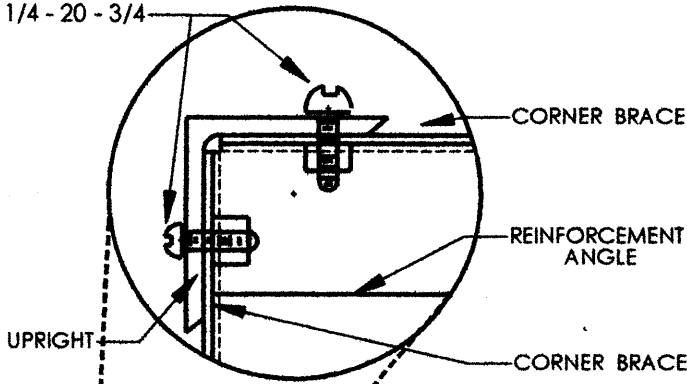


# SHELVES, STORAGE OPEN

CATPIEC600

1/4 - 20 - 3/4

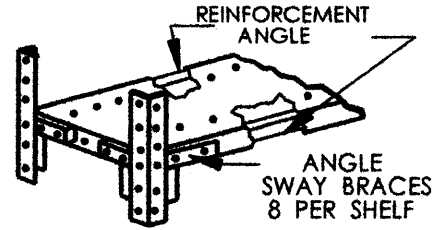


CAREFULLY CHECK MATERIALS RECEIVED TO BE SURE ALL PARTS ARE ON HAND.

## ERECTION INTRUCTION DATA ASSEMBLY & BOLT PLACEMENT

NOTE : REINFORCING ANGLES & CORNER BRACES MUST BE INSTALLED BEFORE BOLTING SHELVES TO UPRIGHTS. A TEMPORARY BOLT THRU THE CENTER HOLES OF EACH SHELF WILL HOLD REINFORCING ANGLES IN PLACE FOR ASSEMBLY.

CLASS II



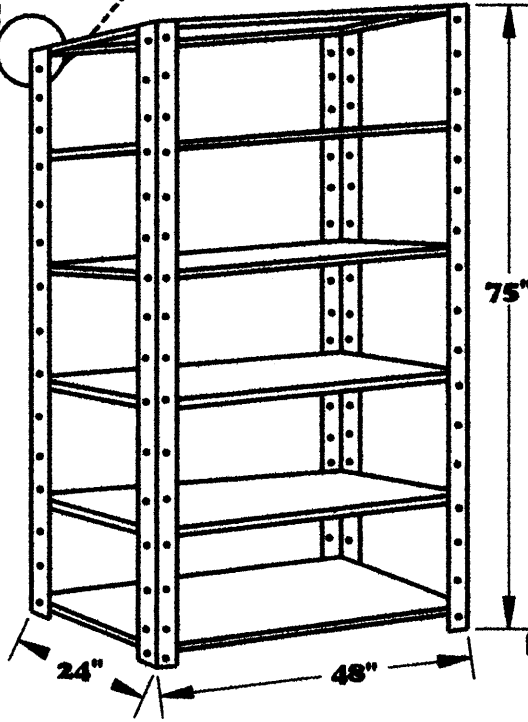
TO START, PLACE THE NARROW SIDE OF THE TWO REAR UPRIGHTS ON 2x4's, AS SHOWN, & MARK SHELF LOCATION ON UPRIGHTS WITH CHALK.

BOLT REAR OF SHELVES & CORNER BRACES TO UPRIGHTS. (SEE DETAIL ABOVE) MAKE ALL NUTS HAND TIGHT ONLY.

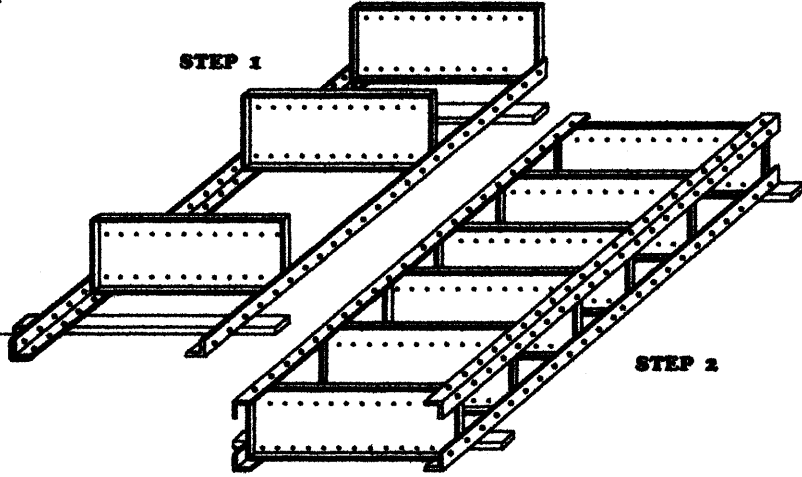
BOLT SHELVES & CORNER BRACES ON EXPOSED ENDS OF THE RACK TO UPRIGHTS WITH 3/4" SCREWS.

WRENCH TIGHTEN ALL NUTS. ATTACH BASE

RACK IS NOW READY TO STAND UPRIGHT.



STEP 1



- 4 UPRIGHTS ( 75 " )
- 6 SHELVES ( 24" D x 48" W )
- 12 REINFORCING ANGLES ( 48" )
- 48 ANGLES SWAY BRACES
- 300 BOLTS ( 1/4 - 20 - 3/4 )
- 300 NUTS ( 1/4 - 20 )

QUALITY ASSURANCE DEPT : ( 310 ) 732-5467

**FEDERAL PRISON INDUSTRIES, INC.**  
**TERMINAL ISLAND, CALIF.**

DRAWN :  
DATE : 12/12/84

APPROVED : **P. MARIN**  
DATE : 2/15/00

REDRAWN : **J.F.G.**  
DATE : 2/10/00

PART NUMBER :  
DRAWING NUMBER :

SCALE : NONE

SHELF REINFORCING	CLASS	WEIGHT	PRICE
FRONT & REAR	II	180 Lbs	