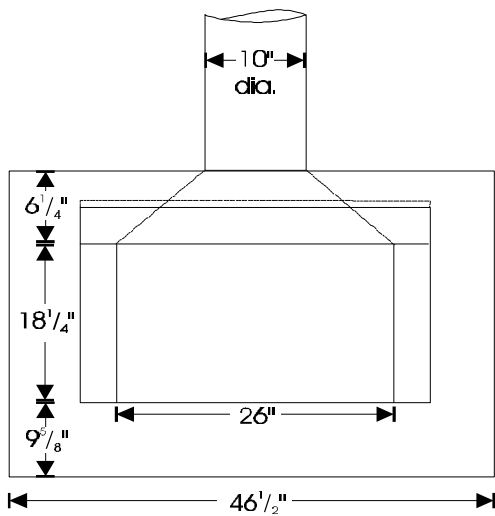
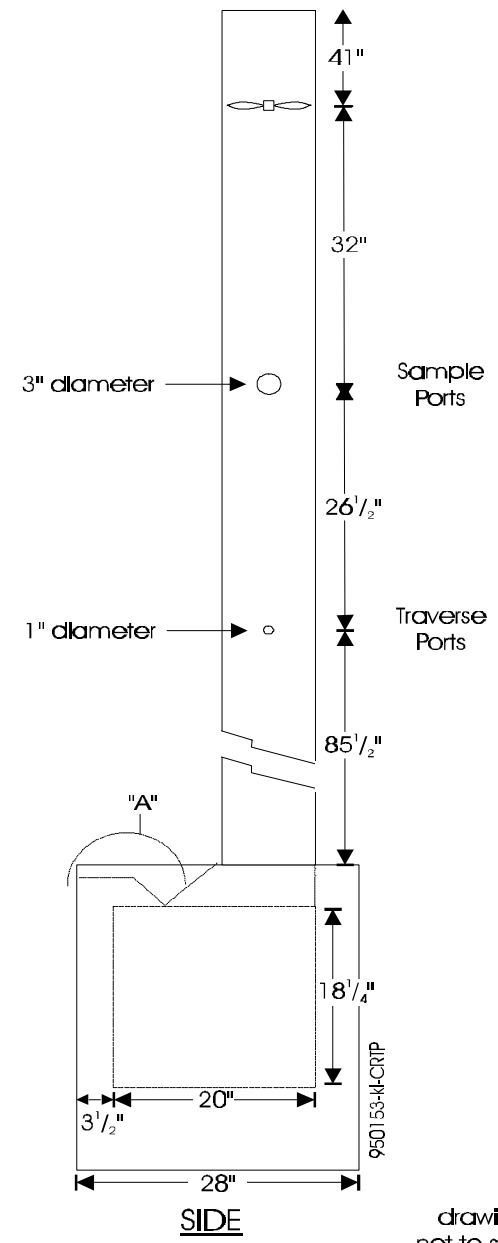
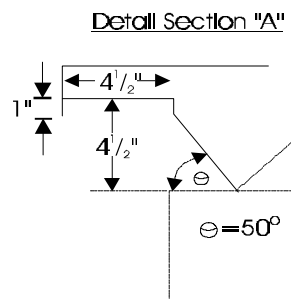


TOP



FRONT



drawing  
not to scale

Figure 1. Fireplace Dimensions

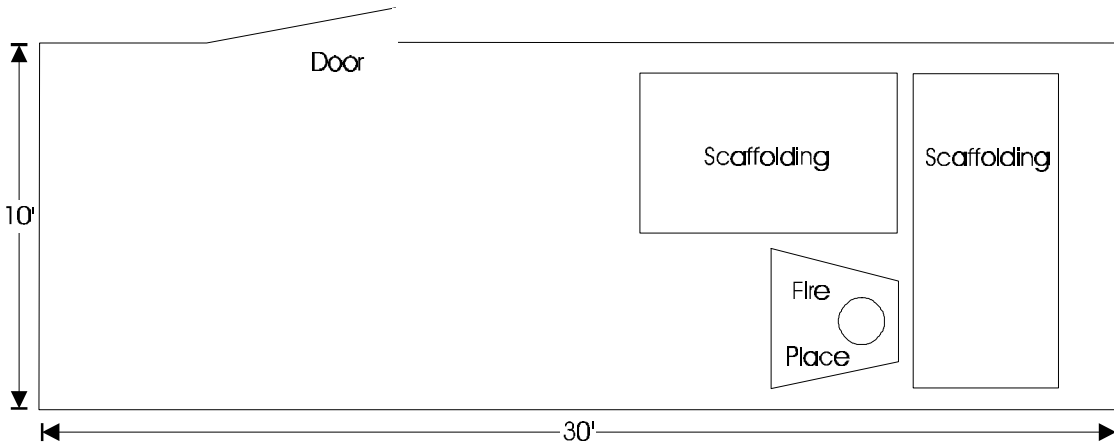
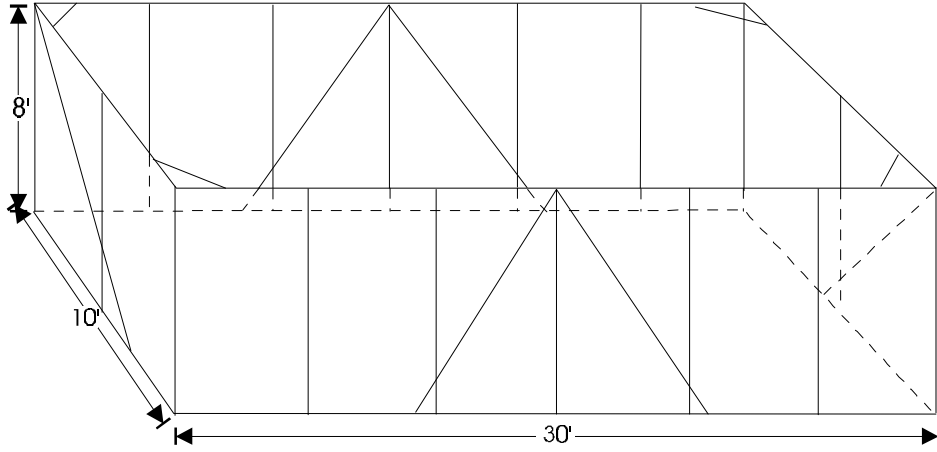


Figure 2. Suggested Enclosure Design

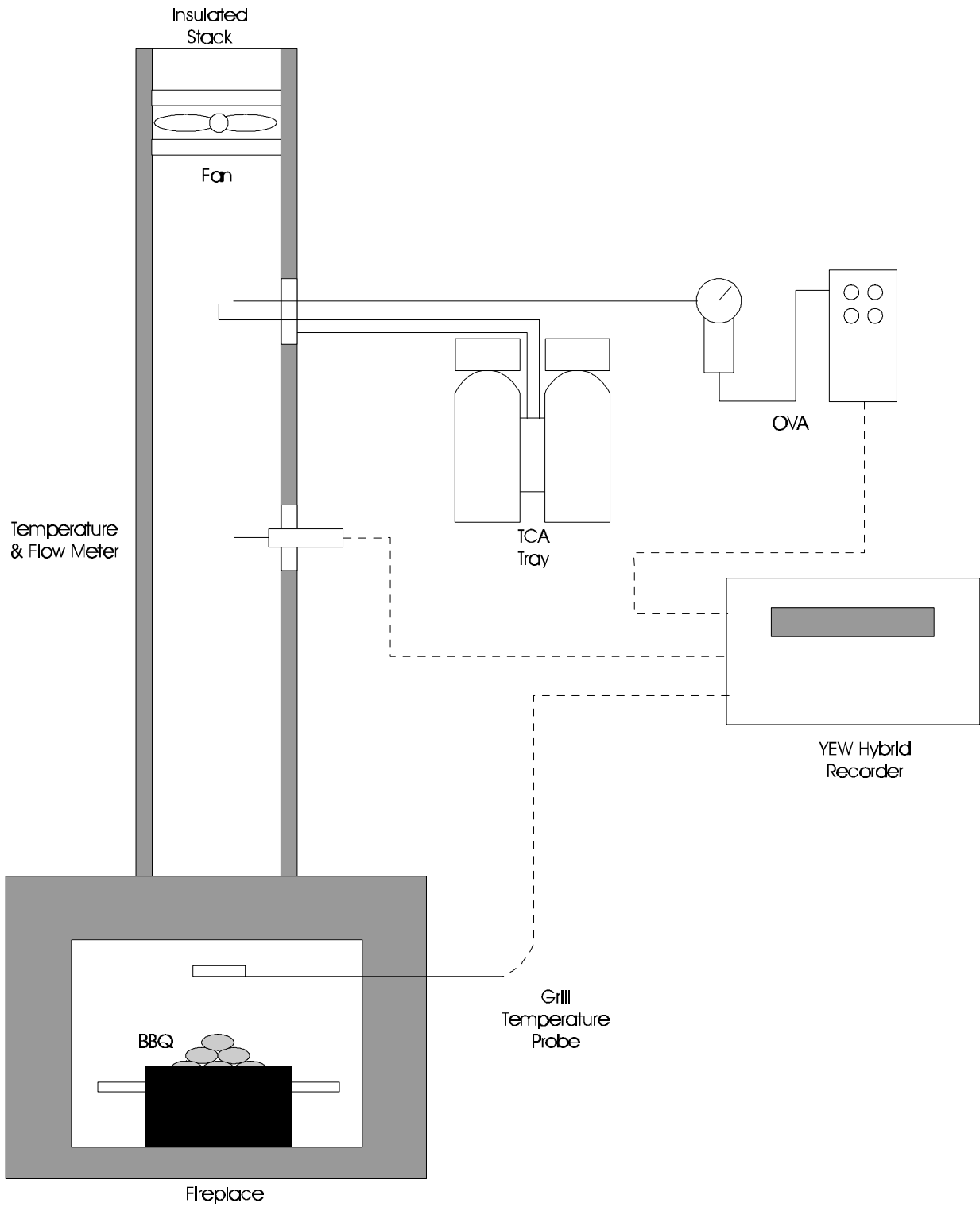
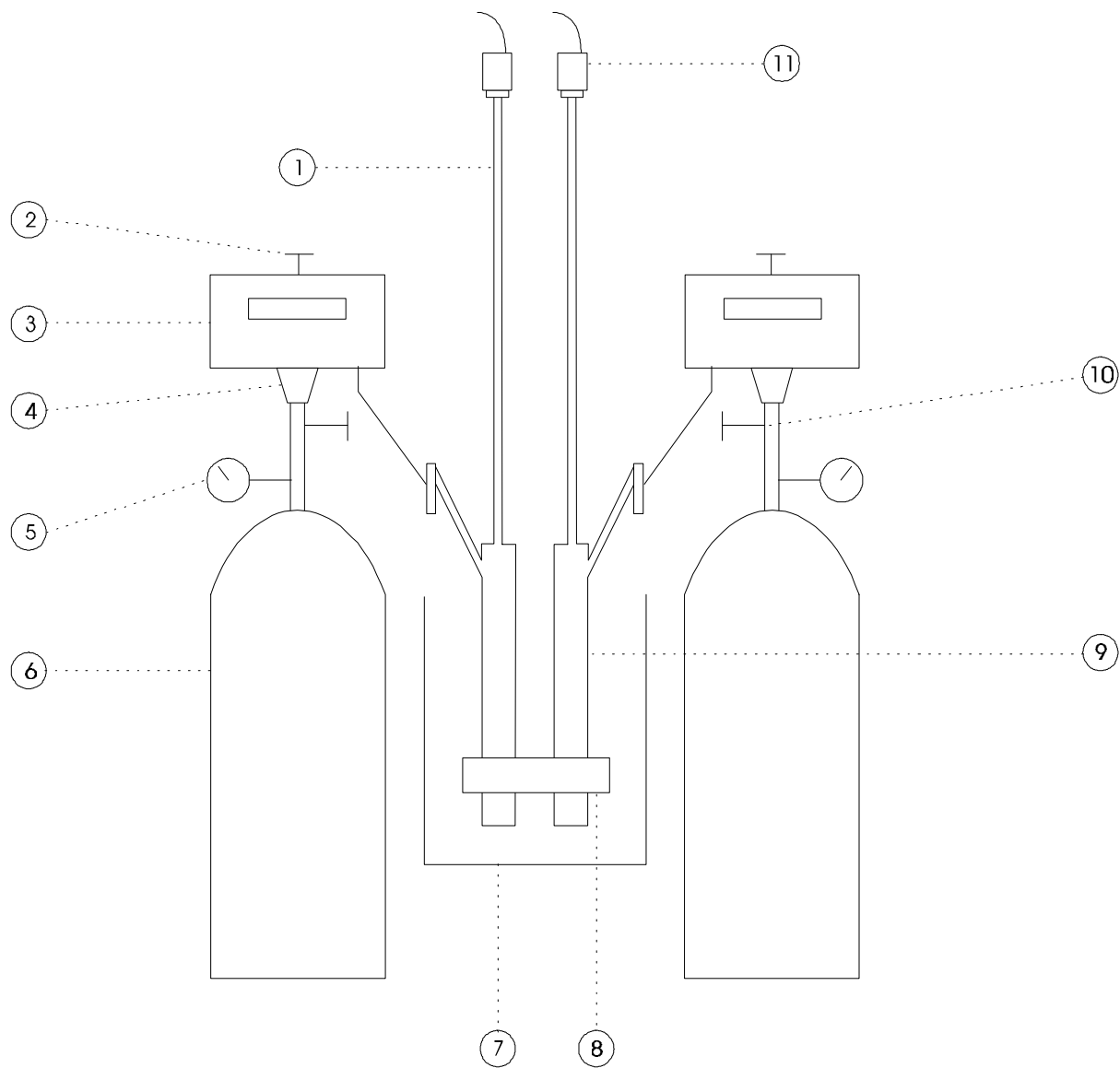


Figure 3. Sampling Apparatus Set-up with Chart Recorder



- |  |                                   |
|--|-----------------------------------|
| 1. Sampling Probe                        | 7. Condensate Trap Container      |
| 2. Flow Rate Control Valve               | 8. Heat Sink Trap                 |
| 3. Minihelic Differential Pressure Gauge | 9. Condensate Trap                |
| 4. Vacuum Regulator                      | 10. Sample Flow Valve             |
| 5. Vacuum Gauge                          | 11. Two Micron Particulate Filter |
| 6. Evacuated Tank                        |                                   |

Figure 4. Sampling Apparatus for Organics