



New Overheads,
Worksurfaces and Accessories!

INTRODUCTION

This planning guide addendum is designed to feature only the new product additions to the current XXI Notes product offering. This guide should be used with the existing XXI Notes Planning Guide to properly design XXI Notes workstations.

The new product offerings include two new edge treatments, twelve new shapes and several additional sizes to the worksurface offering. Two new mobile table shapes have been added along with steel overhead cabinets and shelves. Contemporary styled paper management with desk accessories have been added for a fresh new look.

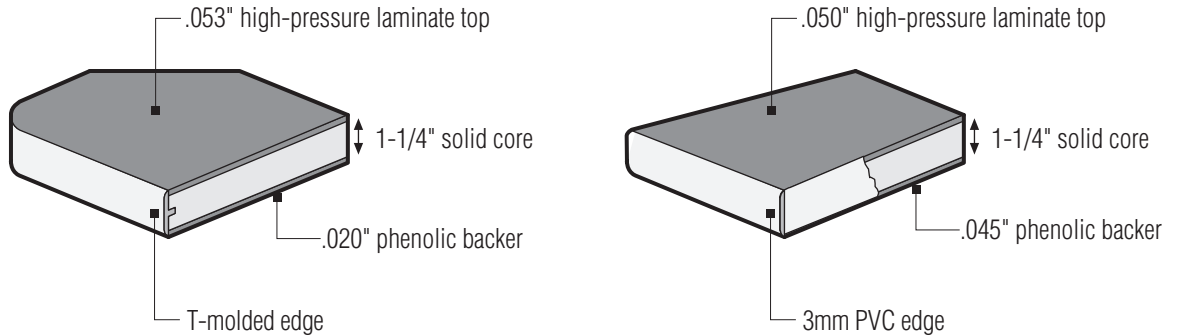
Worksurface Planning	2
BASIC WORKSURFACES	2
TRANSITIONAL SURFACES	4
MOBILE TABLES	7
HEIGHT-ADJUSTABLE WORKSURFACES ...	8
XXI NOTES WITH POWERUP™	8
Overhead Storage	9
OVERHEAD STORAGE	9
OVERHEAD STORAGE ACCESSORIES	9
PAPER MANAGEMENT ACCESSORIES	10
XXI Notes Specifications	11

WORKSURFACE PLANNING

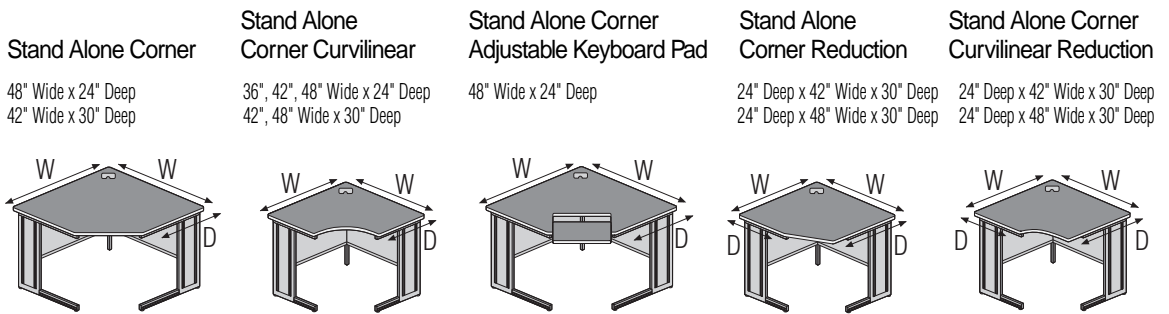
BASIC WORKSURFACES

Worksurface tops feature a 1 1/4" solid core with high-pressure laminate surface, available in a choice of 30 colors. The laminate on corner and keyboard corner worksurfaces runs diagonally, paralleling the front edge. Tops are available with flat vinyl T-molded edges or 3mm vinyl edges in a choice of five edge colors. (Figure 1).

Figure 1



Basic worksurfaces serve as primary worksurfaces, while other types meet special requirements. The following chart shows the new shapes and sizes that are available in addition to the current offering:



Heights:

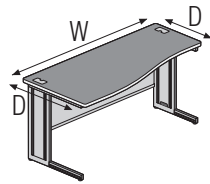
27"	■	■	■	■	■
29"	■	■	■	■	■

Edges:

T-Edged	■	■	■	■	■
3mm PVC	■	■	■	■	■

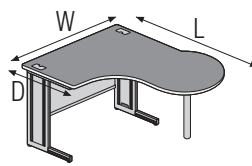
Curvilinear

24" Deep x 42", 48", 54", 60", 72"
Wide x 30" Deep



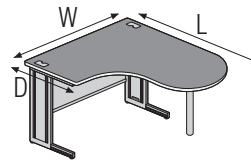
"P" Shaped Peninsula

24" Deep x 48" Wide x 60", 72" Long
30" Deep x 48" Wide x 72" Long



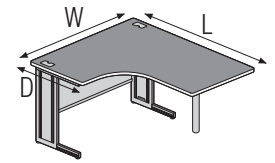
Piano Peninsula

24" Deep x 48" Wide x 60", 72" Long
30" Deep x 48" Wide x 72" Long



Square Shoe Peninsula

24" Deep x 48" Wide x 60", 66", 72",
84" Long
30" Deep x 48" Wide x 66", 72", 84" Long



Heights:

27"	■			
29"	■	■	■	■
Edges:				
T-Edged	■	■	■	■
3mm PVC	■	■	■	■

Stand Alone Corner Worksurface

Stand alone corner worksurfaces are not new to the offering, but are now available in all five edge colors and in two new sizes. A single grommet is located in the rear corner.

Stand Alone Corner Curvilinear Worksurface

Stand alone corner curvilinear worksurfaces have the same basic construction as the rectangular worksurfaces. The stand alone corner curvilinear worksurface is used where a freestanding corner worksurface is needed to continue a radiused front edge around a corner between same depth worksurfaces. When attached to a rectangular worksurface or between two rectangular worksurfaces, transitional legs may be ordered for the sides of the attachment on both worksurfaces. In freestanding applications, standard legs must be used. A single grommet is located in the rear corner.

Corner Adjustable Keyboard Pad Worksurface

Corner adjustable keyboard pad worksurfaces have a new size available; 24" deep x 48" wide.

Stand Alone Corner Reduction Worksurface

Corner reduction worksurfaces are designed to accommodate a 30" deep worksurface on one side and a 24" deep worksurfaces have a meaningful part number which indicates the dimensions of the work-surface. For example: (as you face the work-surface) a reduction worksurface that is 30" deep on the left, and is 48" wide and 24" deep on the right, would have the dimensions included in the part number in order from left-to-right. A single grommet is located in the rear corner.

Stand Alone Corner Curvilinear Reduction Worksurface

Corner curvilinear reduction worksurfaces provide a radiused front edge around a corner between a 30" deep worksurface and a 24" deep worksurface. Reduction worksurfaces have a meaningful part number which indicates the dimensions of the worksurface. For example: (as you face the worksurface) a reduction worksurface that is 30" deep on the left, and is 48" wide and 24" deep on the right, would have the dimensions included in the part number in order from left-to-right. A single grommet is located in the rear corner.

Curvilinear Worksurface

Curvilinear worksurfaces have the same basic construction as the rectangular worksurfaces except for the front edge that makes a reduction from 30" deep to 24" deep. Reduction worksurfaces have a meaningful part number which indicates the dimensions of the worksurface. For example: (as you face the worksurface) a reduction worksurface that is 30" deep on the left, and is 48" wide and 24" deep on the right, would have the dimensions included in the part number in order from left-to-right.

Peninsula Worksurfaces

Peninsula worksurfaces are available as basic worksurfaces in three different shapes; "P" shaped, piano shaped and square shoe shaped. Peninsula worksurfaces have the same basic construction as the regular worksurfaces except for the peninsula extension and additional leg. Peninsula worksurfaces must be specified for the location of the peninsula. When facing the worksurface, if the peninsula extends from the right side of the worksurface, it is a right peninsula. If it extends from the left side, it would be specified left peninsula.

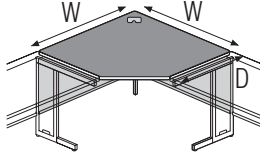
WORKSURFACE PLANNING

TRANSITIONAL SURFACES

Transitional surfaces make the transition around corners and rely on fixed-height basic worksurfaces for their support. Transitional surfaces are used to connect two basic worksurfaces together to form a corner or to end a run of basic worksurfaces. They are available in the following new sizes and shapes.

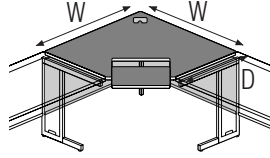
Corner

48" Wide x 24" Deep
42" Wide x 30" Deep



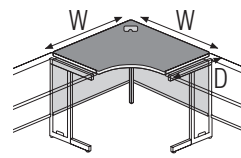
Corner Keyboard Pad

48" Wide x 24" Deep



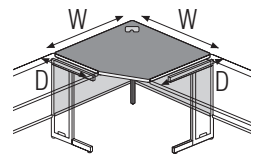
Corner Curvilinear

36", 42", 48" Wide x 24" Deep
42", 48" Wide x 30" Deep



Corner Reduction

42" Wide x 24" & 30" Deep
48" Wide x 24" & 30" Deep



Heights:

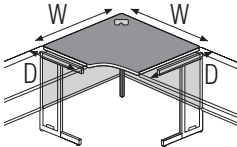
29" to 29"	■	■	■	■
29" to 27"	■	■	■	■
27" to 27"	■	■	■	■

Edges:

T-Edged	■	■	■	■
3mm PVC	■	■	■	■

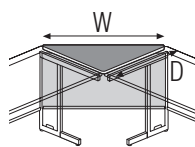
Corner Curved Reduction

42" Wide x 24" & 30" Deep
48" Wide x 24" & 30" Deep



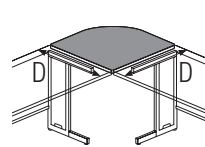
Triangle

36" Wide x 24" Deep



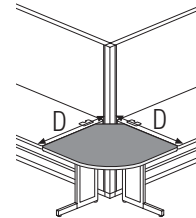
Quarter Round

24" Deep
30" Deep



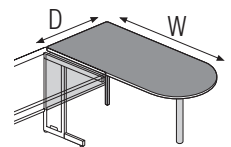
Quarter Round for use with Panels

24" Deep
30" Deep



Peninsula

48", 60", 72" Wide x 24" Deep



Heights:

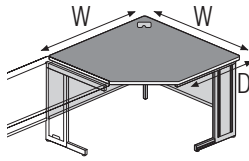
27"	■	■	■	■	■
29"	■	■	■	■	■

Edges:

T-Edged	■	■	■	■	■
3mm PVC	■	■	■	■	■

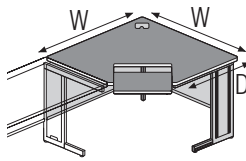
End of Run

48" Wide x 24" Deep
42" Wide x 30" Deep



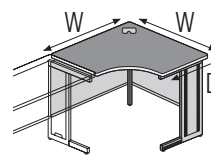
End of Run Keyboard Pad

48" Wide x 24" Deep



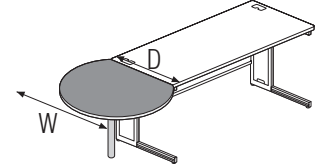
End of Run Curvilinear

36", 42", 48" Wide x 24" Deep
42", 48" Wide x 30" Deep



Conference End

36" Wide x 24" Deep



Heights:

27"	■	■	■	
29"	■	■	■	■

Edges:

T-Edged	■	■	■	■
3mm PVC	■	■	■	■

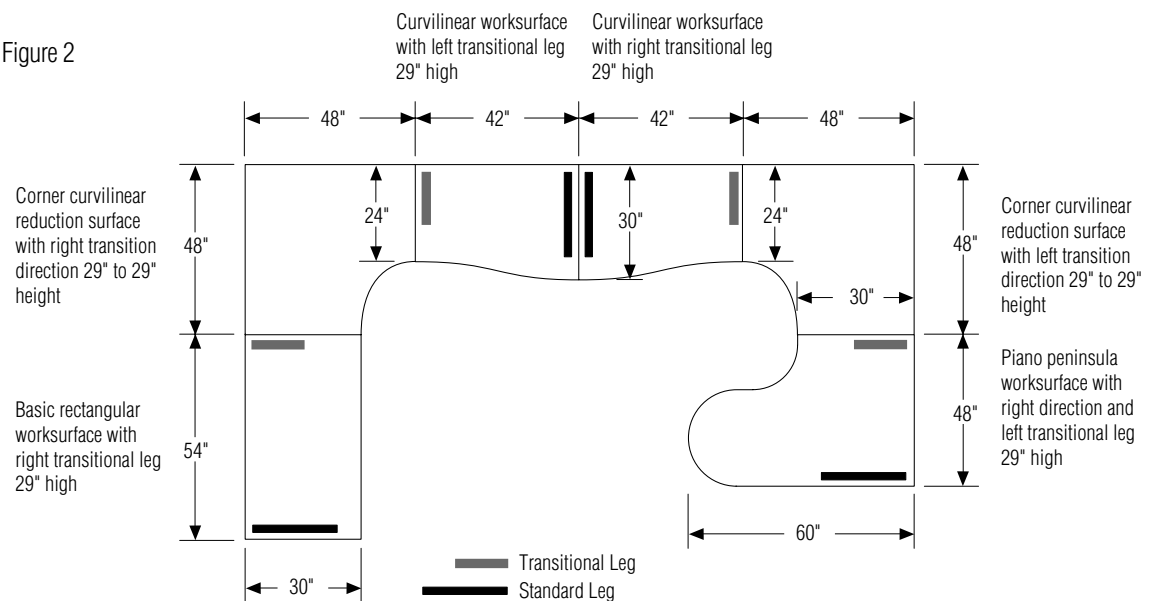
TRANSITIONAL SURFACES

Transitional surfaces feature full wrap modesty panels and 1 1/4" solid core tops with high-pressure laminate surfaces. The quarter round surface does not have a modesty panel because of its size and application. Corner and end of run surfaces have a grommet located in the back corner and are available with the optional wireway trough. Hardware is included for attachment to adjoining worksurfaces for the condition specified. For same height installations, two splice plates are provided; for 29" to 27" installations, a splice plate and "Z" bracket are provided.

For transitional surfaces you must specify:

1. Transitional direction to determine the proper mounting hardware.
2. Transitional height for transitional surfaces.
 - All transitional surfaces, except the end of run, conference end and peninsula surfaces are available in three height options; 29" to 29", 29" to 27" and 27" to 27" and need to be specified.
3. Location of transitional legs on adjoining basic worksurfaces.
 - Transitional legs should be specified whenever two worksurfaces are joined by a transitional surface. The end of run surface also has the choice of a standard or transitional leg (Figure 2).

Figure 2



Corner Transitional Surface

Corner transitional surfaces are available in two new sizes: 24" deep x 48" wide and 30" deep x 42" wide.

Corner Transitional Surface with Keyboard Pad

Corner transitional surface with keyboard pad has an additional size: 24" deep x 48" wide.

Corner Transitional Curvilinear Surface

Corner transitional curvilinear surfaces have the same basic construction and features as the corner transitional surface except for the radiused front edge. Corner transitional curvilinear surfaces are available in five sizes: 36", 42" and 48" wide x 24" deep; and 42" and 48" wide x 30" deep.

Corner Transitional Reduction Surface

Corner transitional reduction surfaces have the same basic construction and features as the corner transitional surface except for the depth of the worksurface is 24" deep on one side and 30" deep on the opposite end. Available in 42" and 48" wide. Reduction surfaces have a meaningful part number which indicates the dimensions of the worksurface. For example: (as you face the worksurface) a reduction worksurface that is 30" deep on the left, and is 48" wide and 24" deep on the right, would have the dimensions included in the part number in order from left to right.

Corner Transitional Curvilinear Reduction Surface

Corner transitional curved reduction surfaces have the same basic construction and features as the corner transitional curvilinear surface except for the depth of the worksurface is 24" deep on one side and 30" deep on the opposite end. Available in 42" and 48" wide. Reduction surfaces have a meaningful part number which indicates the dimensions of the worksurface. For example: (as you face the worksurface) a reduction worksurface that is 30" deep on the left, and is 48" wide and 24" deep on the right, would have the dimensions included in the part number in order from left-to-right.

Triangle Transitional Surface

The triangle transitional surfaces are now available in the new 24" deep for joining two matching-depth, fixed-height basic worksurfaces to form a diagonal corner.

Quarter Round Transitional Surface

Quarter round transitional surfaces are available in two depths for attachment to 24" or 30" deep basic worksurfaces. They can be attached to form an inside corner or an outside corner and are available in styles for mounting around Classic XXI panels when worksurfaces are backed up to panels. The 24" quarter round surface will fit inside the radius of a Classic XXI curved panel. The 30" quarter round surface will fit off module inside the radius of a Classic XXI curved panel. Because of their size and application they do not have modesty panels.

Peninsula Transitional Surface

Peninsula surfaces are now available 29" high, 24" deep by 48", 60" or 72" wide with flat vinyl T-edge or 3mm PVC edging. They include a 3" diameter steel tubular leg and hardware to install in the mounting configuration specified; end, side or center mounted. Side and center mounted peninsula surfaces have modesty panels. A wire management port is located in the center at the top of each modesty panel.

End of Run Corner Transitional Surface

End of run corner transitional surfaces have two new sizes: 48" wide for attachment to 24" deep worksurfaces and 42" wide for attachment to 30" deep worksurfaces.

End of Run Corner Transitional Surface with Keyboard Pad

End of run corner transitional surface with keyboard pad has one new size: 48" wide for attachment to 24" deep worksurfaces.

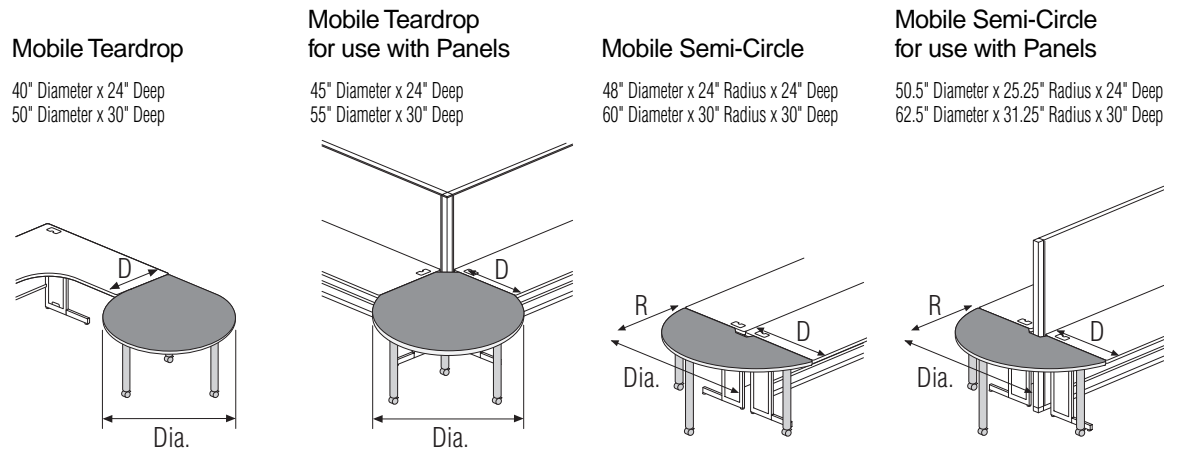
End of Run Corner Transitional Curvilinear Surface

End of run corner transitional curvilinear surfaces have the same construction and features as the end of run corner transitional surfaces except for the radiused front edge. They are available in 36", 42" and 48" widths for use with 24" deep fixed height basic worksurfaces and 42" and 48" wide for use with 30" deep fixed height basic worksurfaces.

Conference End Transitional Surface

Conference end transitional surfaces are now available 36" in diameter for use with 29" high by 24" deep worksurfaces.

MOBILE TABLES XXI Notes offers added flexibility to your workstation layout with the addition of mobile tables.



Height:				
29"	■	■	■	■
Edges:				
T-Edged	■	■	■	■
3mm PVC	■	■	■	■

Mobile Teardrop Table

Mobile teardrop tables have 1¼" solid core tops with high-pressure laminate surface edged with flat vinyl T-edging or 3mm PVC edging. Tops are supported with three, 3" tubular legs with adjustable chrome-plated glides or optional dual-wheel casters. Two of the three casters are lockable. Tables are available 29" high only. Teardrop tables are made to fit into a corner or end application to match a 24" or 30" deep work surface. Tables are also available with a notch in the corner for clearance when used with Classic XXI panels. Tables may be used freestanding or grouped together to form team tables.

Mobile Semi-Circle Table

Mobile semi-circle tables have the same features and construction as the teardrop table. Semi-circle tables are available in 48" diameter for placement at the end of two 24" deep work surfaces placed back-to-back and 50.5" diameter for two 24" deep work surfaces placed back-to-back with a Classic XXI panel between. 60" diameter tables are available for 30" deep work surfaces and 62.5" diameter tables are available for 30" deep work surfaces separated by a panel. All mobile semi-circle tables have a wire management notch at the center of the straight side. Tables may be grouped together to form team tables.

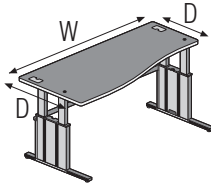
WORKSURFACE PLANNING

HEIGHT-ADJUSTABLE WORKSURFACES

Manual height-adjustable worksurfaces are now available with holes for adjustment cranks located on both the left and right sides of the worksurface and in the following new sizes and shapes:

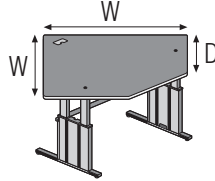
Single Curvilinear

42", 48", 54", 60", 72" Wide
24" and 30" Deep



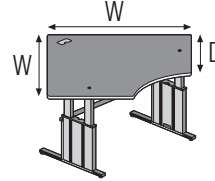
Single Corner

36", 48" Wide x 24" Deep
42" Wide x 30" Deep



Single Curvilinear Corner

36", 42", 48" Wide x 24" Deep
42", 48" Wide x 30" Deep



Height Adjustment:

23" to 34"



Edges:

T-Edged



3mm PVC



Single Curvilinear Adjustable Worksurface

Single curvilinear adjustable worksurfaces have the same basic construction as the single rectangular adjustable worksurfaces except for the front edge that makes a reduction from 30" deep to 24" deep. Reduction worksurfaces have a meaningful part number which indicates the dimensions of the worksurface. For example: (as you face the worksurface) a reduction worksurface that is 30" deep on the left, and is 48" wide and 24" deep on the right, would have the dimensions included in the part number in order from left-to-right.

Single Corner Adjustable Worksurface

Single corner adjustable worksurfaces have additional sizes available. The 36" and 48" wide tops have 24" deep sides that match the depth of 24" deep basic worksurfaces. The 42" wide top is available 30" deep to match the depth of 30" deep basic worksurface.

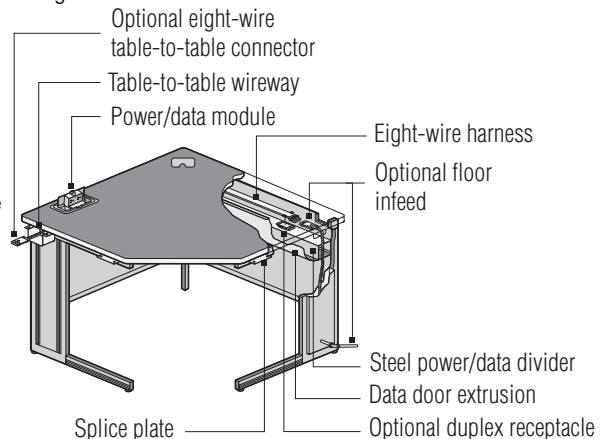
Single Curvilinear Corner Adjustable Worksurface

Single curvilinear corner adjustable worksurfaces have the same features as the single corner adjustable worksurfaces except they have a radiused front edge. The 36", 42" and 48" wide tops have 24" deep sides that match the depth of 24" deep basic worksurfaces. The 42" and 48" wide tops are available 30" deep to match the depth of 30" deep basic worksurfaces.

XXI NOTES WITH POWERUP™

PowerUp is a three-part system that consists of a power/data module, a wire management system and an eight-wire four-circuit electrical distribution system. PowerUp is offered in five levels, which include individual parts of the system or combinations of the parts to custom tailor a workstation. PowerUp has been offered with basic rectangular worksurfaces and rectangular adjustable keyboard pad worksurfaces and now has been expanded to include stand alone corner with and without keyboard pad, stand-up worksurface, end of run worksurface with and without keyboard pad and corner transitional worksurface with and without keyboard pad. Figure 3 shows a stand alone corner worksurface with a level five PowerUp.

Figure 3

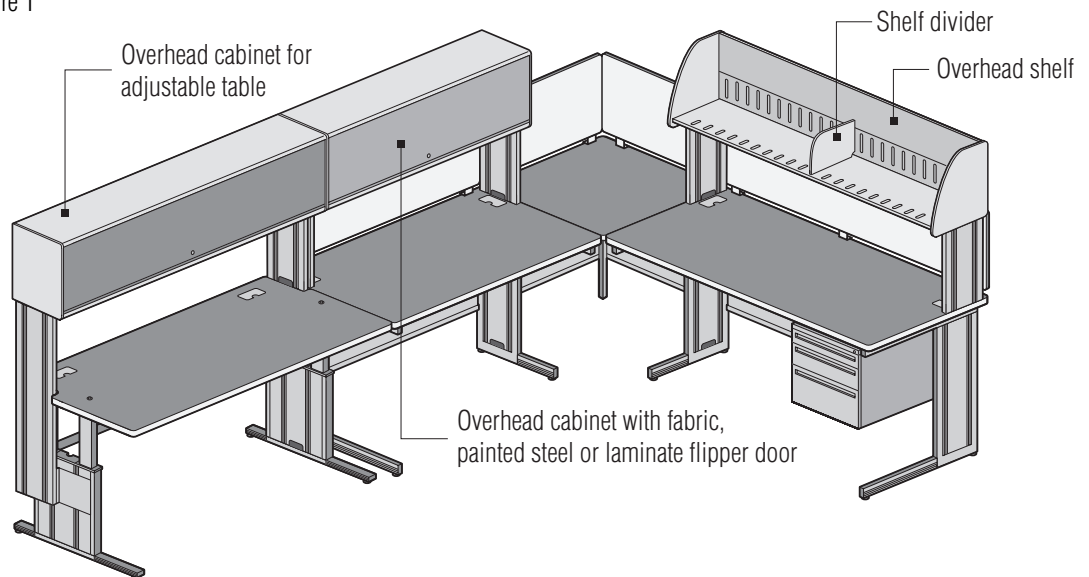


OVERHEAD STORAGE

XXI Notes offers new steel overhead storage units in addition to the current XXI Notes overhead storage offering. The new steel overheads are available as flipper door cabinets or open shelves. Overhead units must match the width of the worksurface it is to be used with. Overheads for basic rectangular worksurfaces attach to the top of the table legs through the grommets in the top of the worksurface. They have vertical wire channels that conceal the attachment and wires from the top of the shelf to the worksurface. Overhead cabinets are 34¼" high and have 18½" clearance between the worksurface and the bottom of the shelf. The flipper door opening is 13" high with overhead door retracted inside overhead.

Overhead cabinets for height-adjustable worksurfaces must be used with the specially designed worksurfaces for use with overheads. Overhead cabinets for height-adjustable worksurfaces are available in 30", 36", 42", 48", 54" and 60" widths and attach to the outside of the table legs. This worksurface has cutouts on each side to allow the top to raise and lower without interfering with the overhead cabinet. When the worksurface is at 29", the clearance between overhead and top is 18½" (Figure 1).

Figure 1



Steel Overhead Cabinets

Steel overhead cabinets are available with a choice of flipper doors: Enamel coated steel front, fabric laminated steel front or high-pressure laminate over particleboard core. Units are available 30", 36", 42", 48", 54" and 60" wide with a single door. The 72" units consist of two 36" cabinets. Shelves are slotted for positive attachment of optional shelf dividers.

Steel Overhead Shelves

Steel overhead shelves are available in the full range of sizes; 30" to 72" wide. The 72" wide shelves consist of two 36" wide shelves with a middle support bracket. Shelves are slotted for positive attachment of optional shelf dividers.

OVERHEAD STORAGE ACCESSORIES

Overhead Privacy Screens

A new overhead privacy screen has been designed for use with the steel overhead shelves and cabinets. The screen mounts flush to the back of the overhead and attaches to the back of the overhead and to the underside of the worksurface. Available fabric covered in 24", 30", 36", 42", 48", 54", 60" and 72" wide by 19" high. The 60" and 72" wide screens consist of two matching screens; 60" includes two 30" screens and 72" includes two 36" screens.

Task Lights

A new low profile task light is available for use with the steel overheads. Task lights mount flush with the

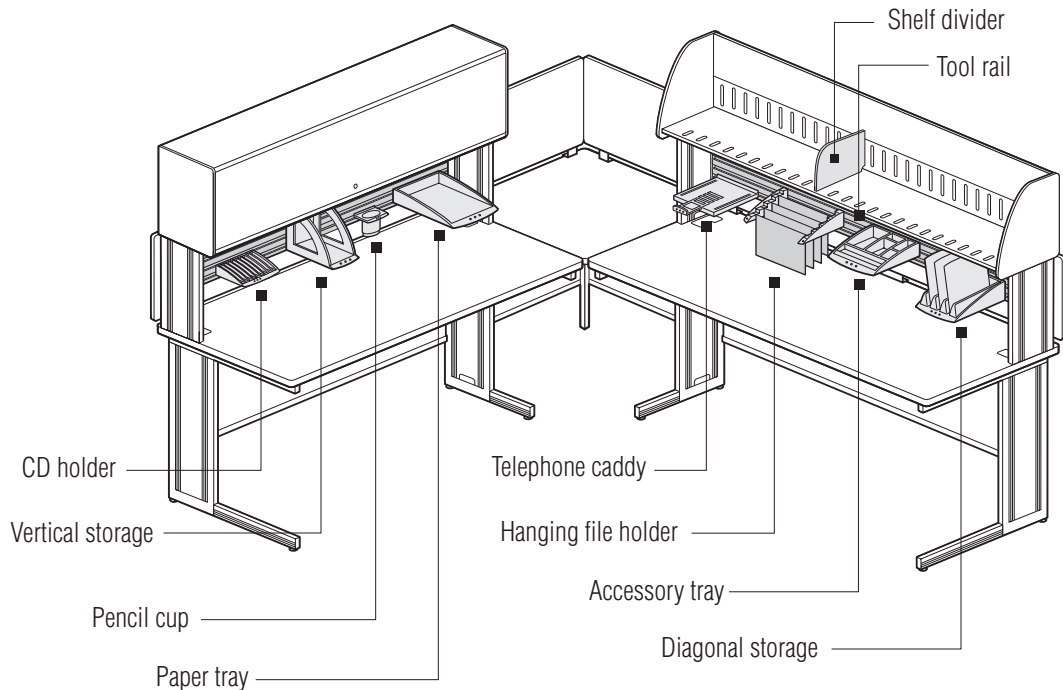
bottom of the shelf on steel overhead shelves and cabinets. Task lights are offered in three levels of efficiency and cost. The standard light has a magnetic normal power factor ballast with a rapid start, cool-white fluorescent lamp. The energy efficiency model has an electronic ballast with rapid start, cool-white fluorescent lamp. The third model features a 2-step (hi/low) normal power factor ballast with rapid start, cool-white fluorescent lamp which helps reduce glare on computer screens and helps reduce eye strain. Task lights are available 30", 36", 42", 48", 54" and 60" wide.

OVERHEAD STORAGE

PAPER MANAGEMENT ACCESSORIES

The new contemporary paper management accessories address the storage of files and equipment within the workstation. The accessories are available in the five trim colors (Figure 2). Paper management accessories are interchangeable with new Classic XXI System and Crescendo paper management accessories.

Figure 2



Tool Rail

Tool rails attach between uprights on steel overheads of matching sizes. Available 30", 36", 42", 48", 54", 60" and 72" wide by 4½" high. The 72" wide rail includes two 36" rails.

Hanging File Holder

Hanging file holders suspend from tool rails to support hanging file folders. Holders are supplied in one-pair sets and can be positioned to allow for letter or legal hanging folders.

Paper Tray

The paper tray is 9½" wide by 2" high by 14" deep to accommodate both letter and legal size documents. Trays include three hooks for suspending from tool rails or can be used freestanding on worksurfaces and shelves.

Diagonal Storage

Diagonal storage is 7" wide by 2½" high by 12½" deep and supplied with three hooks for mounting on tool rails. Available in the five trim colors with three black dividers. Units can be used freestanding on worksurfaces and shelves.

Vertical Storage

Vertical storage units are 5" wide by 9" high by 10½" deep and include two hooks for mounting to tool rails. Units can be used freestanding on work-surfaces and shelves.

Telephone Caddy

The telephone caddy measures 8½" wide by 2" high by 9½" deep and is adjustable to accommodate phones up to 10¼" deep. Caddys include three hooks for suspending from tool rails.

CD Holder

CD holders measure 5½" wide by 2" high by 7" deep and include two hooks for mounting to tool rails. Holders accommodate up to 10 CDs. Holders can be used freestanding on worksurfaces and shelves.

Accessory Tray

Accessory trays measure 9½" wide by 2" high by 10" deep and include three hooks for mounting to tool rails. Trays have compartments to hold pencils, paper clips and miscellaneous items. Trays can be used freestanding on worksurfaces and shelves.

Pencil Cup

The pencil cup measures 4" wide by 4" high by 3½" deep for storage of pens, pencils and highlighters. Includes one hook to mount on tool rail.

**BASIC
WORKSURFACES**

Worksurfaces shall define the shape of the workstation and provide support for overhead storage, hanging pedestals, electrical componentry and privacy screens. Worksurfaces shall be designed to integrate function and ergonomics to provide solutions that meet ANSI/HFS 100-1988 and ADA user requirements.

Worksurface tops shall be 1¼" solid core with high-pressure laminate surface, available in a choice of 30 colors. The laminate on corner and keyboard corner worksurfaces shall run diagonally, paralleling the front edge. Tops shall be available with flat vinyl T-edge or 3mm PVC edge in a choice of five edge colors.

Basic rectangular worksurfaces shall include two wireway grommets, located in the back corners of each worksurface. Grommets shall be color matched to the worksurface laminate trim color. The modesty panels shall have two wire management ports located in the top outside edge of each panel. An optional wireway trough for wire management shall be located at the top of the modesty panel.

Worksurfaces shall be supported by a heavy-gauge, seam-welded tubular steel frame and two welded steel legs joined by a steel modesty panel. Legs and modesty panels shall be color matched and available in the five trim colors. Internal vertical raceways with hinged doors shall be located on the inside of each leg to provide for easy wire management from the floor to the worksurface. Legs shall be equipped with adjustable chrome-plated glides to compensate for uneven floors. Separate caster kits shall be available that include four, 2½" diameter casters, two with locks. Casters shall add 2" to the height of the worksurface.

Legs shall be available in two depths, standard and transitional. Transitional legs shall be six inches shorter in depth than the standard leg. This shall allow for more clearance for feet and chair movement where worksurfaces join in a straight line or corner applications.

Worksurfaces shall be available in 30", 36", 42", 48", 54", 60" and 72" widths and 24" and 30" depths. They shall be available in 27" and 29" heights.

Stand Alone Corner Worksurface

Stand alone corner worksurfaces shall have the same basic construction as the rectangular worksurfaces. The stand alone corner worksurface shall be used where a freestanding corner worksurface is needed. Worksurfaces shall be available in new sizes, 48" wide by 24" deep and 42" wide by 30" deep. They shall be available in 27" and 29" heights.

Stand Alone Corner Curvilinear Worksurface

Stand alone corner curvilinear worksurfaces shall have the same basic construction as the rectangular worksurfaces. The stand alone corner curvilinear worksurface shall be used where a freestanding corner worksurface is needed to continue a radiused front edge around a corner between same depth work-surfaces. Worksurfaces shall be available 36", 42" or 48" wide by 24" deep and 42" or 48" wide by 30" deep. They shall be available in 27" and 29" heights.

Stand Alone Corner Worksurface with Keyboard Pad

Stand alone corner worksurface with keyboard pad shall provide a fixed height worksurface with the 10" by 24" adjustable keyboard pad where a freestanding corner worksurface is needed. Worksurfaces shall be available 48" wide by 24" deep. The corner worksurface shall be available with 27" and 29" high standard depth legs.

Stand Alone Corner Reduction Worksurface

Stand alone corner reduction worksurfaces shall have the same basic construction as the stand alone corner worksurfaces. The stand alone corner reduction worksurface shall be used where a freestanding corner worksurface is needed to accommodate a 30" deep worksurface on one side and a 24" deep worksurface on the other side. Worksurfaces shall be available 42" or 48" wide. They shall be available in 27" and 29" heights.

Stand Alone Corner Curvilinear Reduction Worksurface

Stand alone corner curvilinear reduction worksurfaces shall have the same basic construction as the stand alone corner reduction worksurfaces. The stand alone corner curvilinear reduction worksurface shall be used where a freestanding corner worksurface is needed to accommodate a radius from a 30" deep work-surface on one side to a 24" deep worksurface on the other side. Worksurfaces shall be available 42" or 48" wide. They shall be available in 27" and 29" heights.

Curvilinear Worksurface

Curvilinear worksurfaces shall have the same basic construction as the rectangular worksurfaces, except the front edge shall make a curved reduction from 30" deep to 24" deep. Worksurfaces shall be available 42", 48", 54", 60" and 72" wide. They shall be available in 27" and 29" heights.

"P" Shaped Peninsula Worksurface

"P" shaped peninsula worksurfaces shall have the same basic construction as the rectangular worksurfaces, except the front edge shall make an extended "P" shaped peninsula. Worksurfaces shall be available 24" deep by 48" wide by 60" or 72" long, and 30" deep by 48" wide by 72" long. They shall be available in 27" and 29" heights.

Piano Peninsula Worksurface

Piano shaped peninsula worksurfaces shall have the same basic construction as the rectangular worksurfaces, except the front edge shall make an extended piano shaped peninsula. Worksurfaces shall be available 24" deep by 48" wide by 60" or 72" long, and 30" deep by 48" wide by 72" long. They shall be available in 27" and 29" heights.

Square Shoe Peninsula Worksurface

Square shoe peninsula worksurfaces shall have the same basic construction as the rectangular worksurfaces, except the front edge shall make an extended square shoe shaped peninsula. Worksurfaces shall be available 24" deep by 48" wide by 60", 66", 72" or 84" long, and 30" deep by 48" wide by 66", 72" or 84" long. They shall be available in 27" and 29" heights.

TRANSITIONAL SURFACES

Transitional surfaces shall be available to connect two basic worksurfaces together to form a corner, or to end a run of basic worksurfaces. Transitional surfaces shall make the transition around corners and rely on fixed height basic worksurfaces for their support.

Transitional surfaces shall have full wrap modesty panels and 1¼" solid core tops with high-pressure laminate surface. Hardware shall be included for attachment to adjoining worksurfaces for the condition specified. For same height installations, two splice plates shall be provided; for 29" to 27" installations, a splice plate and "Z" bracket shall be provided.

Corner Transitional Surface

Corner transitional surfaces shall be available in two new sizes: 48" wide by 24" deep and 42" wide by 30" deep. They shall be available in 29" to 29", 29" to 27" and 27" to 27" heights. They shall include a 7/8" square tubular corner support leg with a stainless steel adjustable glide and full wrap modesty panels with wire management ports located in the top center of each panel. Transitional tops shall attach to fixed height basic worksurfaces at the worksurface. The modesty panels shall attach to the legs of the adjoining basic surface to provide a full wrap finished appearance. Tops shall be available in the same construction and finishes as basic worksurfaces and shall include one grommet located in the back corner.

Corner Transitional Surface with Keyboard Pad

Corner transitional surface with keyboard pad shall have the same construction and features as the corner transitional surface with the addition of the 10" by 24" keyboard pad. The pads shall have a 3" height adjustment, a tilt range of 15° positive and 15° negative, and 1" forward extension. Surfaces shall be available in a new size: 48" wide by 24" deep. They shall be available in 29" to 29", 29" to 27" and 27" to 27" heights.

Corner Transitional Curvilinear Surface

Corner transitional curvilinear surfaces shall have the same basic construction and features as the corner transitional surface, except for the radiused front edge. Corner transitional curvilinear surfaces shall be available in five sizes: 36", 42" and 48" wide by 24" deep and 42" and 48" wide by 30" deep.

Corner Transitional Reduction Surface

Corner transitional reduction surfaces shall have the same basic construction and features as the corner transitional surface, except the depth of the worksurface shall be 24" deep on one side and 30" deep on the opposite side. Surfaces shall be available 42" and 48" wide.

Corner Transitional Curvilinear Reduction Surface

Corner transitional curvilinear reduction surfaces shall have the same basic construction and features as the corner transitional curvilinear surface, except the depth of the worksurface shall be 24" deep on one side and 30" deep on the opposite side. Surfaces shall be available in 42" and 48" wide.

Triangle Transitional Surface

The triangle transitional worksurface shall join two 24" deep fixed height basic worksurfaces to form a diagonal corner. The full width modesty panel shall attach to the support legs of the adjoining worksurfaces.

Quarter Round Transitional Surface

Quarter round transitional surfaces shall be available in two depths for attachment to 24" or 30" deep basic worksurfaces. They can be attached to form an inside corner or an outside corner and shall be available in styles for mounting around Classic XXI panels when worksurfaces are backed up to panels. The 24" quarter round surface shall fit on module inside the radius of a Classic XXI curved panel. The 30" deep surface shall fit off module inside the radius of a Classic XXI curved panel. Because of their size and application they shall not have modesty panels.

Peninsula Transitional Surface

Peninsula surfaces shall be available 29" high, 24" and 30" deep by 48", 60" or 72" wide with flat vinyl T-edge or 3mm PVC edging. Surfaces shall include a 3" diameter steel tubular leg and hardware to install in the mounting configuration specified; end, side, or center mounted. Side and center mount peninsula surfaces shall have modesty panels. A wire management port shall be located in the center at the top of each modesty panel.

End of Run Corner Transitional Surface

End of run corner transitional surfaces shall be available in two new sizes: 48" wide by 24" deep and 42" wide by 30" deep. They shall be available in 27" and 29" heights. Surfaces shall include an end support leg, a 7/8" square tubular corner support leg with a stainless steel adjustable glide and full wrap modesty panels with wire management ports located in the top center of each panel.

End of Run Corner Transitional Surface with Keyboard Pad

The end of run corner transitional surface with keyboard pad shall have the same construction and features as the end of run corner transitional surface with the addition of the 10" by 24" keyboard pad. The pads shall have a 3" height adjustment, a tilt range of 15° positive and 15° negative, and 1" forward extension. Surface shall be available 48" wide by 24" deep.

End of Run Corner Transitional Curvilinear Surface

End of run corner transitional curvilinear surface shall have the same construction and features as the end of run corner transitional surfaces except for the radiused front edge. Surfaces shall be available in 36", 42" and 48" widths for use with 24" deep fixed height basic worksurfaces and 42" and 48" wide for use with 30" deep fixed height basic worksurfaces.

Conference End Transitional Surface

Conference end transitional surfaces shall be available 36" in diameter for use with 29" high, 24" deep worksurfaces. The top shall be available with flat vinyl T-edge or 3mm PVC edge with a single 3" diameter steel tubular leg.

MOBILE TABLES**Mobile Teardrop Table**

Mobile teardrop tables shall have 1¼" solid core tops with high-pressure laminate surface edged with flat vinyl T-edge or 3mm PVC edging. Tops shall be supported with three tubular legs with adjustable chrome-plated glides or optional dual-wheel casters. Two of the casters shall be locking. Tables shall be available 29" high only. Teardrop tables shall be available to fit into a corner or end application to match a 24" or 30" deep worksurface. Tables shall also be available with a notch in the corner for clearance when used with Classic XXI panels. Tables may be used freestanding or grouped together to form team tables.

Mobile Semi-Circle Table

Mobile semi-circle tables shall have the same features and construction as the teardrop table. Semi-circle tables shall be available in 48" diameter for placement at the end of two 24" deep tables placed back-to-back and 50.5" diameter for two 24" deep worksurfaces placed back-to-back with a Classic XXI panel between. 60" diameter tables shall be available for 30" deep worksurfaces placed back-to-back and 62.5" diameter for 30" deep worksurfaces separated by a panel. Tables may be grouped together to form team tables.

**MANUAL HEIGHT-
ADJUSTABLE
WORKSURFACES**

Manual height-adjustable worksurfaces shall be available with a single top that shall be the same construction and finishes as the basic worksurfaces. Height adjustment shall be 23" to 34" and shall be obtained by a chain-driven sprocket at a rate of one-inch per eight turns of the worksurface mounted height control knob. The height adjustment control shall be specified for location on the left or right of the worksurface for the operator's convenience. Wire management shall be provided by an integral channel, mounted between the lower leg assembly, or by an optional wireway mounted under the worksurface. Optional modesty panels shall attach to the worksurface to conceal an area 7" below the worksurface. Legs shall be equipped with adjustable chrome-plated glides, or optional caster kits shall be available that include four, 2½" diameter casters, two with locks. Casters shall add 2" to the height of the worksurface.

Single Curvilinear Adjustable Worksurface

Single curvilinear adjustable worksurfaces shall have the same basic construction as the single rectangular adjustable worksurfaces except for the front edge that makes a reduction from 30" deep to 24" deep. Reduction worksurfaces shall be available 42", 48", 54", 60" and 72" wide.

Single Corner Adjustable Worksurface

Single corner adjustable worksurfaces shall have a single top in two depths and three widths. The 36" and 48" wide worksurface shall have 24" deep sides that shall match the depth of 24" deep basic worksurfaces. The 42" wide worksurface sides shall match the 30" deep basic worksurfaces. A single grommet shall be located in the rear corner.

Single Curvilinear Corner Adjustable Worksurface

Single curvilinear corner adjustable worksurfaces shall have the same features as the single corner adjustable worksurface except they have a radiused front edge. The 36", 42" and 48" wide tops shall have 24" deep sides that match the depth of 24" deep basic worksurfaces. The 42" and 48" wide tops shall be available 30" deep to match the depth of 30" deep basic worksurfaces.

XXI Notes with PowerUp™

PowerUp shall be a three part system that shall consist of a power/data module, a wire management system and an eight-wire, four-circuit electrical distribution system. PowerUp shall be offered in five levels which shall include individual parts of the system or combinations of the parts to custom tailor a workstation. PowerUp shall be offered with basic rectangular worksurfaces, rectangular adjustable keyboard pad worksurfaces, stand alone corner, with and without keyboard pad, stand-up worksurface, end of run worksurface, with and without keyboard pad and corner transitional worksurface, with and without keyboard pad.

**OVERHEAD
STORAGE**

Steel overhead storage units shall be in addition to the overhead storage offering. The steel overheads shall be available as flipper door cabinets or open shelves. Overheads for basic rectangular worksurfaces shall attach through the grommets in the top of the worksurface. They shall have vertical wire channels that conceal the attachment and wires from the top of the shelf to the worksurface.

Overhead cabinets shall be 34¼" high and have 18½" clearance between the worksurface and the bottom of the shelf. The flipper door opening shall be 13" high with the door recessed into the cabinet.

Overhead storage units for height-adjustable worksurfaces shall be available for use with the specially designed worksurfaces for use with overheads. This worksurface shall have cutouts on each side to allow the top to raise and lower without interfering with the overhead cabinet. Adjustable-height overheads shall attach to the outside of the table legs. When the worksurface is at 29", the clearance between overhead and top shall be 18½". 72" wide overhead shall not be available on adjustable XXI Notes.

Steel Overhead Cabinets

Steel overhead cabinets shall be available with a choice of flipper doors: Enamel coated steel front, fabric laminated steel front or high-pressure laminate over particleboard core. Units shall be available 30", 36", 42", 48", 54" and 60" wide with a single door. The 72" unit shall consist of two 36" cabinets. Shelf and back shall be slotted to accommodate optional dividers.

Steel Overhead Shelves

Steel overhead shelves shall be available in the full range of sizes; 30", 36", 42", 48", 54", 60" and 72" wide. Shelf and back shall be slotted to accommodate optional dividers. 72" wide shelf shall consist of two 36" shelves with middle support bracket.

OVERHEAD STORAGE ACCESSORIES

XXI Notes offers a full range of accessories for use with the steel overhead storage units. Task lights provide illumination for the worksurface and a paper management system adds organization to the area above the worksurface.

Overhead Privacy Screen

The overhead privacy screen shall mount to fixed-height basic worksurfaces with steel overhead cabinets or shelves. Screens shall mount flush to the back of the overhead and attach to the back of the overhead and to the worksurface. Overhead privacy screens shall be fabric-covered and usable as a tackable surface. Screens shall be available 24", 30", 36", 42", 48", 54", 60" and 72" wide by 19" high. The 60" and 72" wide screens shall consist of two matching screens; 60" shall include two 30" screens and 72" shall include two 36" screens.

Task Lights

Task lights shall be offered in three levels of efficiency and cost. The standard light shall have a magnetic normal power factor ballast with a rapid start, cool-white fluorescent lamp. The energy efficiency model shall have an electronic ballast with rapid start, cool-white fluorescent lamp. The third model shall feature a 2-step (hi/low) normal power factor ballast with rapid start, cool-white fluorescent lamp, which shall help reduce glare on computer screens and help reduce eye strain.

Task lights shall attach flush to the underside of the shelf on steel overhead cabinets and shelves. Lights shall be UL Listed and available in the five trim colors. Task lights shall be available 30", 36", 42", 48", 54" and 60" wide for use with matching width steel overhead cabinets.

PAPER MANAGEMENT SYSTEM

The paper management system shall address the storage and movement of files, binders and documents. Components shall be available with hooks for attachment to the tool rail. The system shall be available in the five trim colors.

Tool Rail

Tool rails shall attach between uprights on steel overheads of matching sizes. Tool rails shall be available 30", 36", 42", 48", 54", 60" and 72" wide by 4½" high. The 72" wide rail shall include two 36" rails. Multiple combinations of paper management units shall hang on the rail. The rail shall be epoxy powder coated, extruded aluminum and shall be available in the five trim colors.

Hanging File Holder

Hanging file holder shall suspend from tool rails to support hanging file folders. Holders shall be supplied in one-pair sets and may be positioned to allow for letter or legal hanging folders.

Paper Tray

The paper tray shall be 9½" wide by 2" high by 14" deep and shall accommodate both letter and legal size documents. Tray shall include three hooks for suspending from tool rail or may be used freestanding on worksurfaces and shelves.

Diagonal Storage

Diagonal storage shall be 7" wide by 2½" high by 12½" deep and supplied with three hooks for mounting on tool rail. Diagonal storage shall be available in the five trim colors with three black dividers. Units shall be suspended from tool rail or used freestanding on worksurfaces and shelves.

Vertical Storage

Vertical storage units shall be 5" wide by 9" high by 10½" deep and include two hooks for mounting to tool rail. Units shall be suspended from tool rail or used freestanding on worksurfaces and shelves.

Telephone Caddy

The telephone caddy shall be available 8½" wide by 2" high by 9½" deep. Caddy shall be adjustable to accommodate a phone up to 10¾" deep. Caddy shall include three hooks for suspending from tool rail.

CD Holder

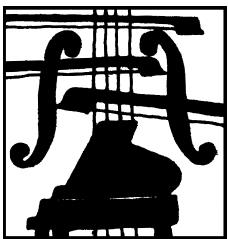
CD holder shall measure 5½" wide by 2" high by 7" deep and include two hooks for mounting to tool rail. Holder shall accommodate up to 10 CDs. Holder shall be suspended from tool rail or used freestanding on worksurfaces and shelves.

Accessory Tray

The accessory tray shall measure 9½" wide by 2" high by 10" deep and include three hooks for mounting to tool rail. Tray shall have compartments to hold pencils, paper clips and miscellaneous items. Tray shall be suspended from tool rail or used freestanding on worksurfaces and shelves.

Pencil Cup

The pencil cup shall be 4" wide by 4" high by 3½" deep. Cup shall provide for storage of pens, pencils and highlighters. One hook shall be provided for mounting on tool rail.



U.S. Department of Justice

UNICOR

Federal Prison Industries, Inc.

PIEP500/OEI/1099

www.unicor.gov

(800) 827-3168

