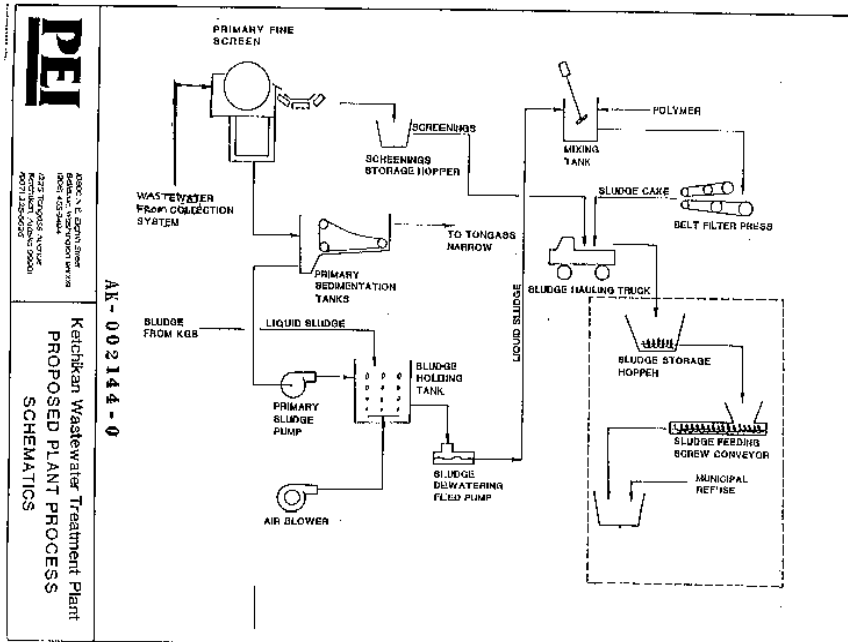
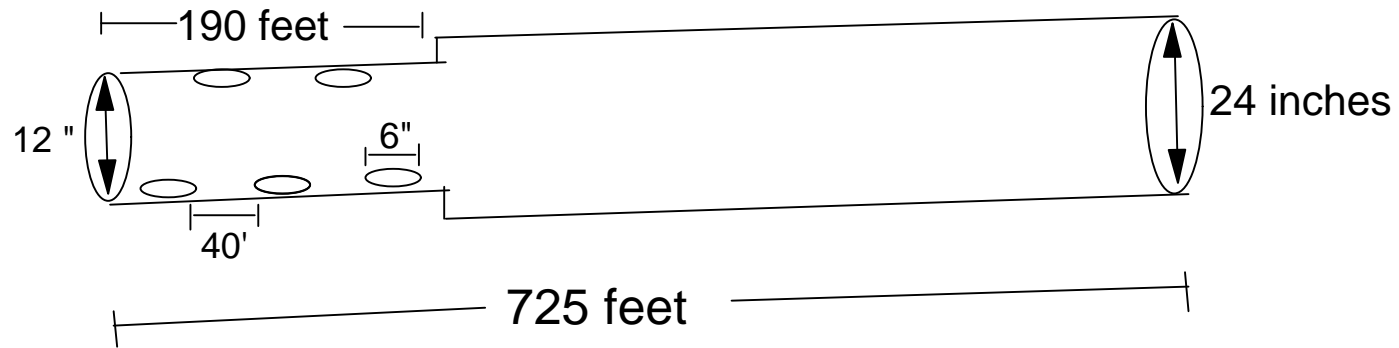


APPENDIX A - KETCHIKAN WASTEWATER TREATMENT PLANT PROCESS DIAGRAM

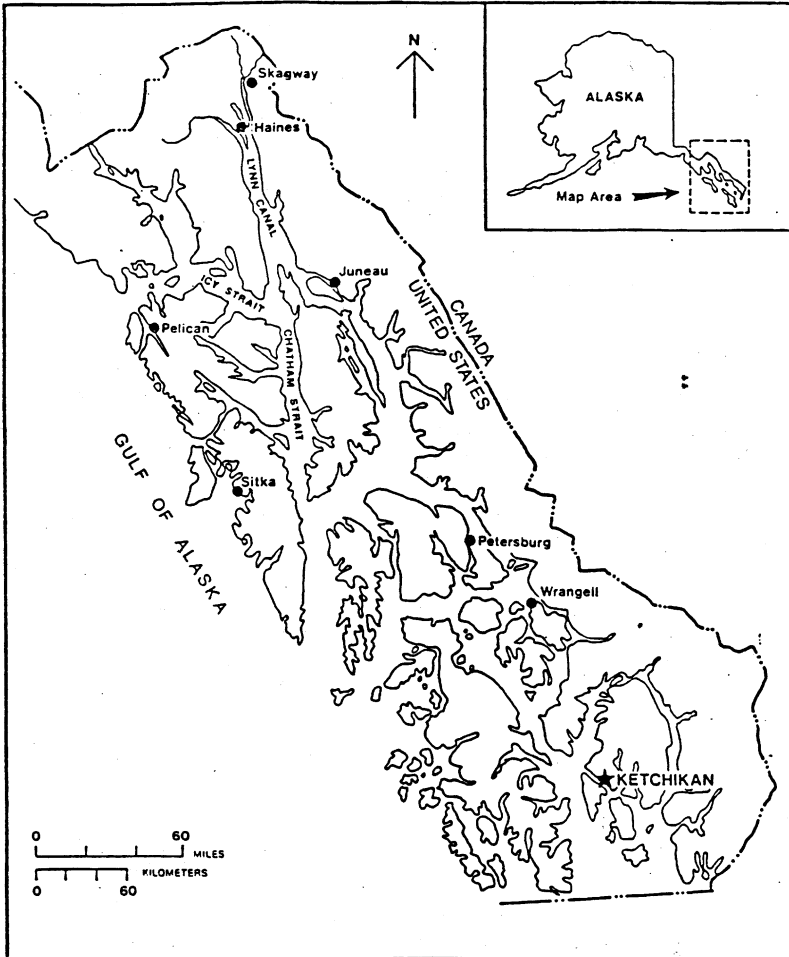


# City of Ketchikan - Outfall 001



APPENDIX B - KETCHIKAN WASTEWATER TREATMENT PLANT DISCHARGE LOCATION

Figure 1



General location of the City of Ketchikan wastewater treatment plant and other 301(h) applicants in southeast Alaska.