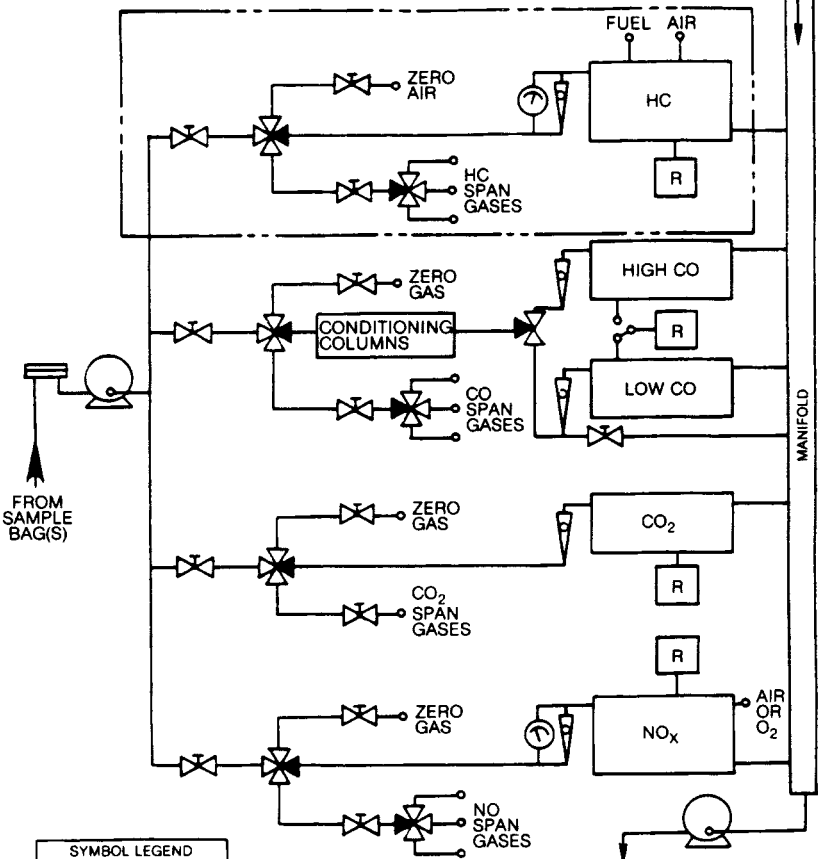


FOR DIESEL HC ANALYSIS  
SEE FIGURE B90-5 OR B90-6



SYMBOL LEGEND	
	FLOW CONTROL VALVE
	SELECTION VALVE
	PARTICULATE FILTER
	PUMP
	FLOWMETER
	PRESSURE GAUGE
	RECORDER
	TEMPERATURE SENSOR

FIGURE B90-7 EXHAUST GAS ANALYTICAL SYSTEM